

JOBES ADDICT

Adjustable Pro Ski Pylon



Check WWW.JOBESPORTS.COM for other languages of this manual

IMPORTANT NOTES ON INSTALLING AND USING YOUR NEW PYLON

- ◆ Note that this installation guide is only a guideline. Each boat is different and improvisation is needed to mount your Adjustable Ski Pylon on your boat.
- ◆ We advise you to have your pylon mounted by a professional who has experience in boat constructions and mounting other pylons.

WARNING

FAILURE TO ADHERE TO ALL WARNINGS COULD CAUSE DAMAGE TO EQUIPMENT OR VEHICLE, PERSONAL INJURY OR EVEN DEATH. DO NOT USE TO PULL TUBES, KITES, PARA SAILORS OR STRANDED BOATS • BE SURE TO CHECK ALL HARDWARE FOR WEAR AND PROPER INSTALLATION PRIOR TO EACH USE • ONLY ONE PERSON AT A TIME CAN USE PYLON • DO NOT EXCEED 45° DEGREE ANGLE FROM CENTER WHEN USING PYLON AS IT IS DESIGNED TO HANDLE REAR PULL • AVOID SHARP TURNS WHEN USING THIS PYLON • DO NOT USE TO SKI AROUND BOAT.

WARNING

THE USE OF THIS PRODUCT INVOLVES INHERENT RISKS OF INJURY OR DEATH. TO REDUCE THESE RISKS THE INDIVIDUAL MUST ALWAYS STAY WITHIN THEIR LIMITS AND AT SPEEDS THAT DO NOT EXCEED THEIR LEVEL OF SKILL.

Distributed by:
 Jobe Sports International
 Heerwaardensestraat 30
 6624 KK Heerwaarden
 The Netherlands
WWW.JOBESPORTS.COM

Step 1

Assemble the pylon on the ground. You will not be drilling holes in the pylon at this point. Use the big clevis hitch pin to assemble part (1) and (2) of the main pylon. Now screw the main pylon into the base plate (5) and set it to the desired height. Place the outer brace arms into the thru clevis on the pylon and pin with the 1/4" x 1" clevis hitch pins.

Step 2

Position the pylon to the rear of the boat at the boat's center-line. Check that the telescoping arms reach the correct installation position.

NOTE- Necessary hardware for the next step not supplied.

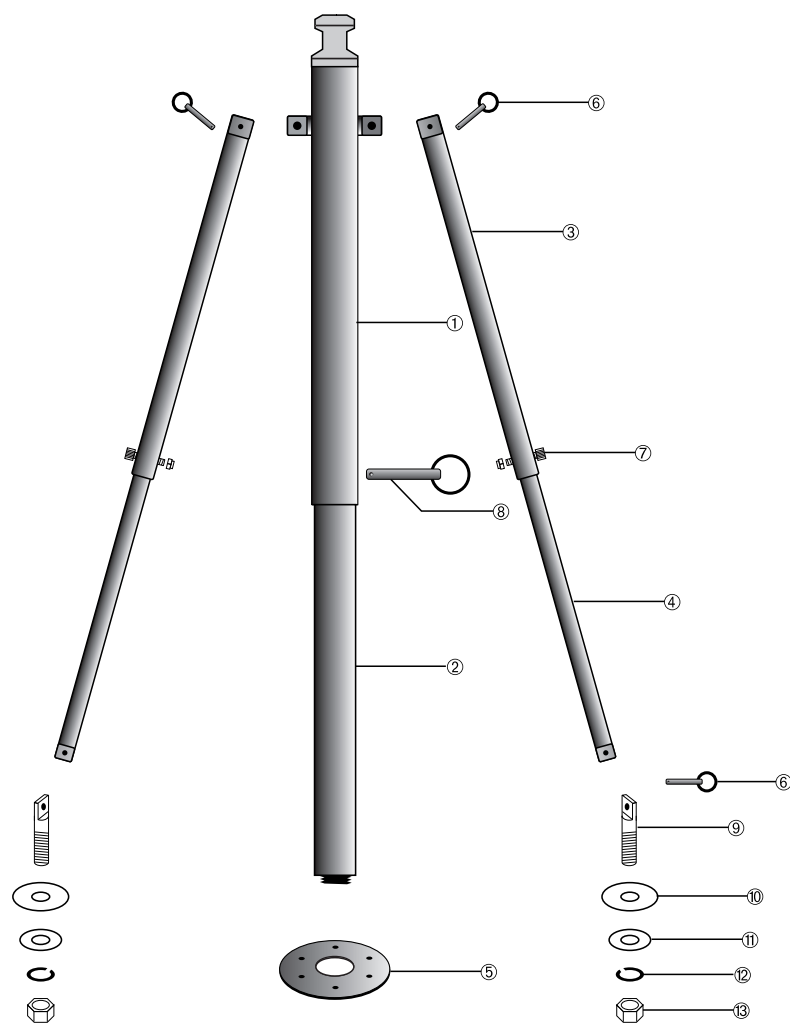
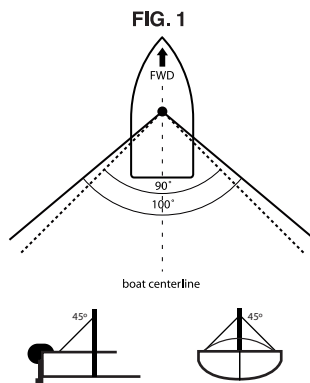
Step 3

Install the pylon's base plate to the bottom of the boat using 1/4-20 bolts and large surface area washers on the underside. If access to the underside is not possible to secure the bolts with nuts, use 5/16" lag screws and seal with silicone. The floor must be at least 3/4" (2cm) thick to use lag screws.

Step 4

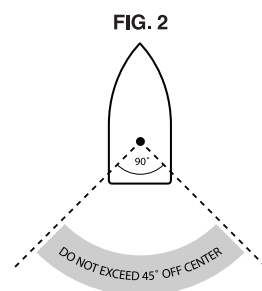
Now insert each inner portion of the telescoping brace arms into an outer portion. Position them to the back of the boat at 45°-50° off the boat's center-line from the main pylon (Figure 1). The total angle of left and right braces should be somewhere between 90°-100°.

NOTE- Braces that are too close together could cause the pylon to collapse.



Step 5

PRIOR TO DRILLING: Check to make sure that there aren't any obstructions such as cables or wires. Mark your spots on the boat deck to drill holes for the deck clevises (9). Make sure both sides are symmetrical. Ensure marked area can be reached from below for the installation of the flat washer (11), lock washer (12) and nut (13).



Step 6

Remove the braces from the deck and drill 5/8" holes through the marks you made in Step 5. Using clevis washers (10), insert the deck clevises (9) through the holes you just drilled. Now use the flat washer (11), lock washer (12) and nut (13) to secure each clevis (tighten firmly). **NOTE-** If the deck is not at least 1/2" thick at the mounting points, you must add a piece of marine plywood or similar item to the underside of the deck to distribute the load / add strength.

Step 7

With the support braces attached to the pylon, connect the other ends to the appropriate deck clevis. One person apply slight forward pressure to the pylon while the other person uses the outer brace pilot holes to drill a 1/4" hole through each inner brace. Disconnect the braces from the boat. Bolt each brace through the drilled holes using 1/4" x 1 1/4" bolt and nylon nut (7). Reconnect the braces to the boat.

Care and Maintenance

- I. Be sure to check and tighten all fasteners and connections prior to every use.
- II. Always rinse rack after contact with salt (brackish) water.
- III. Be cautious when towing or driving under obstacles, low hanging structures or trees.

JOBE Addict Adjustable Ski Pylon Warranty

Jobe Sports International warrants this product (not including other 3rd party accessories) against manufacturers defects. Anodizing and powder coated surfaces as well as all hardware corrosion are specifically excluded as their care and use cannot be controlled by Jobe Sports International. Any modifications or improper use shall void this warranty. Jobe Sports International is not responsible for personal injury or damage to the boat caused by the use of this pylon. JOBE's obligation under this warranty shall not include any transportation charges or costs of installation or any liability for direct, indirect or consequential damages resulting from delay or improper installation. No dealer, retailer or manufacturer is the agent of Jobe Sports International and may not assume for Jobe Sports International any liability in connection with this warranty. This warranty is in lieu of all.