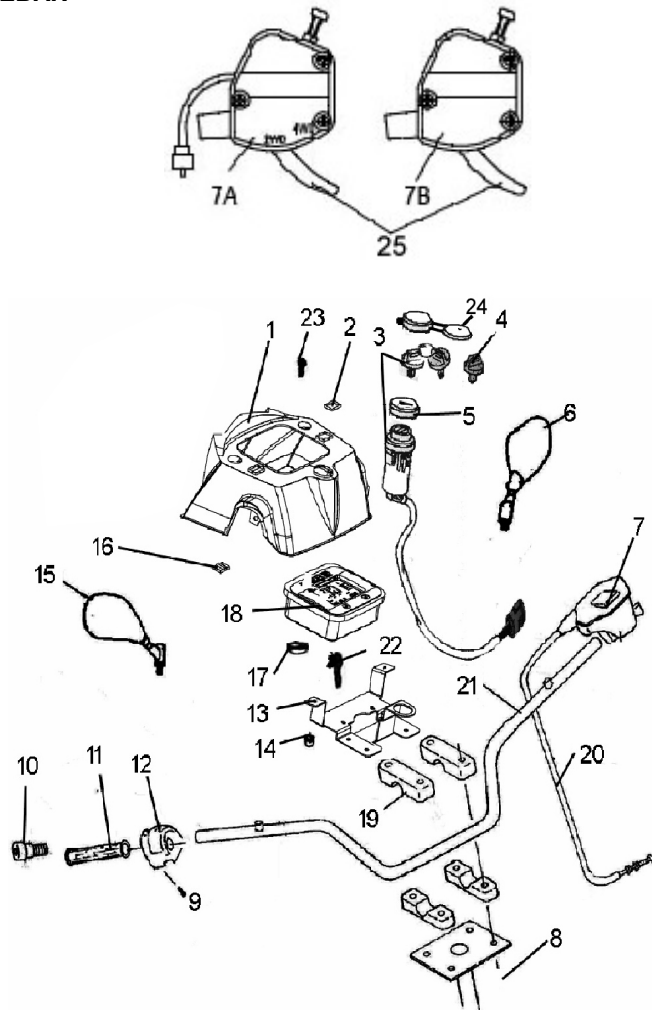

PARTS MANUAL

LH400ATV-2B(IRS)

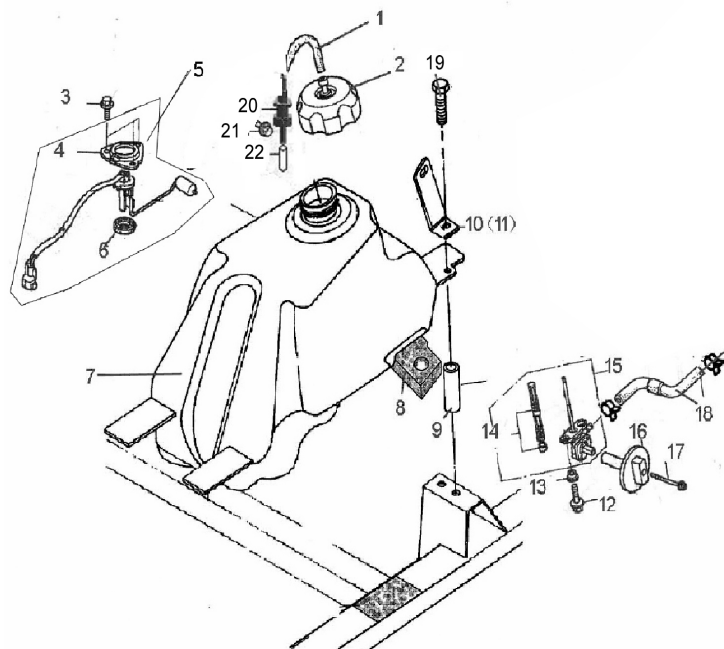
INDEPENDENT REAR SUSPENSION

HANDLEBAR



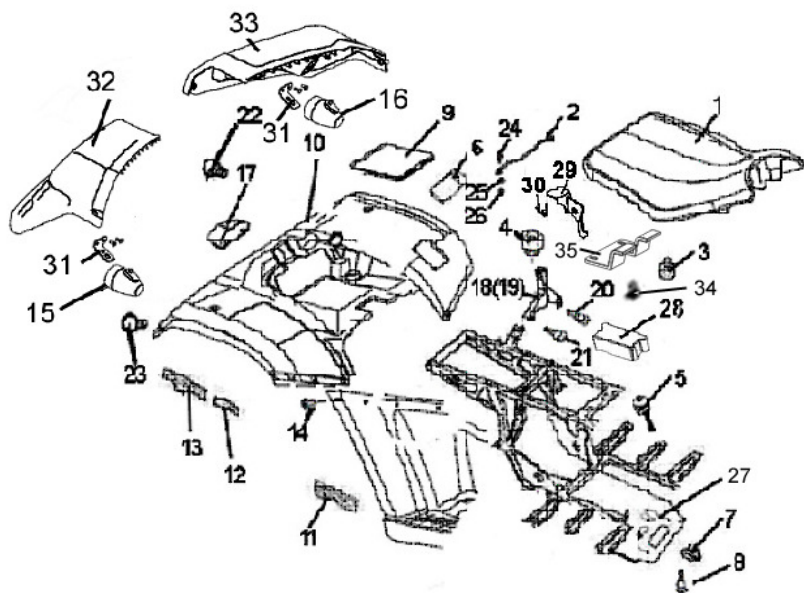
REF. No.	PART No.	DESCRIPTION	Q'TY
1	25001	SPEEDOMETER COVER	1
2	70425	EMERGENT SWITCH	1
3	30110	IGNITION SWITCH WITH KEY	1
4	25003	KEY BLANK	1
5	25004	THREADED NUT	1
6	30117	REAR VIEW MIRROR LEFT	1
7A	20109A	THROTTLE CONTROL (WITH 2WD/4WD SWITCH)	1
7B	27280	THROTTLE CONTROL (2WD)(SEE PICTURE)	1
8	10079	NUT M8	4
9	10140	BOLT M6X12	1
10	30119	GRIP END.	2
11	30515	GRIP	2
12	25523	SWITCH ASSY	1
13	25008	SPEEDOMETER BRACKET	1
14	10004	NUT M6	2
15	30118	REAR VIEW MIRROR LEFT (ONLY FOR EUROPE)	1
16	25010	SPEEDOMETER COVER CAP	1
17	25011	WASHER	2
18	27391	LCD SPEEDOMETER (FOR EUROPE)	1
	25012	LCD SPEEDOMETER (FOR USA)	1
19	20112A	HANDLEBAR CLAMP	4
20	27296	THROTTLE CABLE(FOR TOP PULL CABLE TYPE)	1
21	27385	HANDLEBAR	1
22	10139	BOLT M8X65	4
23	25013	SCREW M6X12	2
24	27257	IGNITION SWITCH COVER	1
25	27279	THROTTLE CONTROL LEVER(FOR NO.7A 7B)	1

FUEL TANK



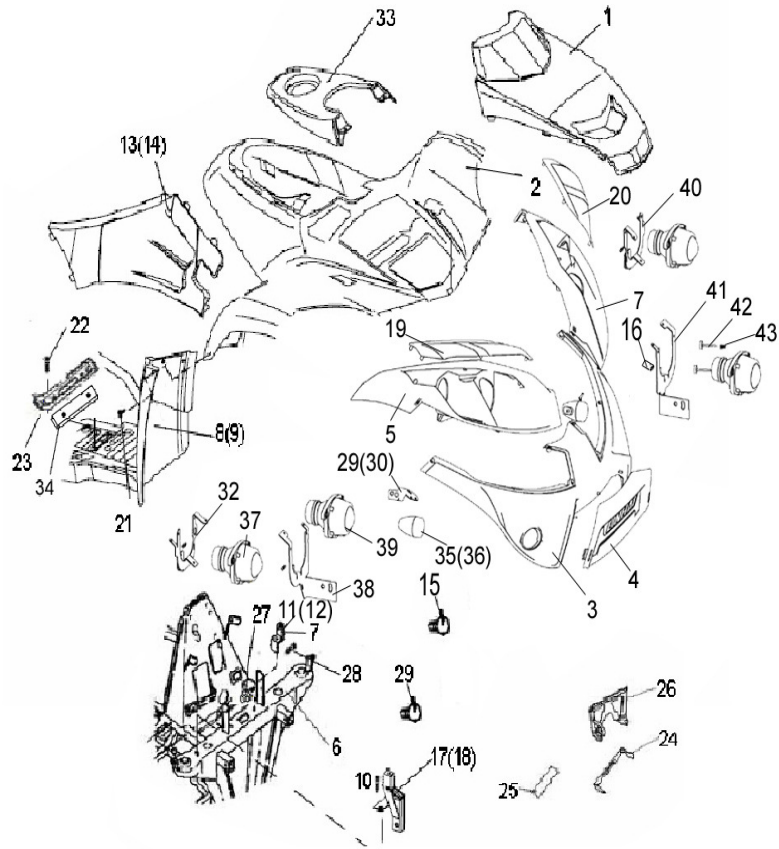
REF. No.	PART NO.	DESCRIPTION	Q'TY
1	29652	TUBE,FUEL CAP BREATHER	1
2	70725	FUEL CAP	1
3	10140	BOLT M6X12	3
4	25019	PLATE, UNIT SET	1
5	25020	FUEL UNIT SET ASSY	1
6	25021	GASKET, BASE	1
7	25022	FUEL TANK	1
8	20209	FOAM PAD	1
9	20210	SPACER	2
10	25023	MOUNTING BRACKET LEFT	1
11	25024	MOUNTING BRACKET RIGHT	1
12	10140	BOLT M6X12	2
13	70742	COLLAR	2
	25027	SCREW SET, FUEL STRAINER	1
14	25028		1
15	25029	PETCOCK ASSY	1
16	25030	LEVER, PETCOCK	1
17	25031	SCREW-WASHER	1
18	27255	TUBE,FUEL	1
19	10005	BOLT M6X60	2
20	710.021	VALVE,TANK, FUEL	1
21	25039	BOLT M5X10	1
22	70734	TUBE	1

REAR FENDERS



REF. No.	PART No.	DESCRIPTION	Q'TY
1	25040	SEAT	1
2	25041	LATCH ASSEMBLY	1
3	25042	RUBBER, SEAT SETTING 1	6
4	70445	RUBBER, SEAT SETTING 2	2
5	20316	RUBBER PAD	8
6	25044	TOOL	1
7	20331	WASHER 6	7
8	10191	BOLT M6X18	9
9	25045	TOOL BOX CAP	1
10	27381	REAR FENDER	1
11	25047	FOOTREST RIGHT ADIABATIC PELLICLE	1
12	25048	REAR MUD ADIABATIC PELLICLE 1	1
13	25049	REAR MUD ADIABATIC PELLICLE 2	1
14	10420	SCREW M6X16	8
15	27367	LEFT REAR INDICATION LIGHT	1
16	27368	RIGHT REAR INDICATION LIGHT	1
17	25053	TAILLIGHT	1
18	25054	TRESTLE RIGHT	1
19	25055	TRESTLE LEFT	1
20	25056	BOLT M8X70	2
21	10055	BOLT M8X45	2
22	22017	TAILLIGHT BULB 12V 21W/5W	1
23	25091	REAR INDICATION LIGHT BULB 12V10W (WHIT	2
24	10140	BOLT M6X12	2
25	10006	WASHER 6	2
26	10004	NUT	2
27	27312	PLASTIC PLANT	1
28	27260	BATTERY COVER	1
29	70801	HOOK BRACKET, SEAT LOCK	1
30	70802	SPRING	1
31	27362	REAR INDICATION LIGHT BRACKET	2
32	27383	TAILLIGHT COVER, R	1
33	27382	TAILLIGHT COVER, L	1
34	10178	SCREW M6X16 ST4.2X13	2
35	70803	BAFFLE.SEAT	1

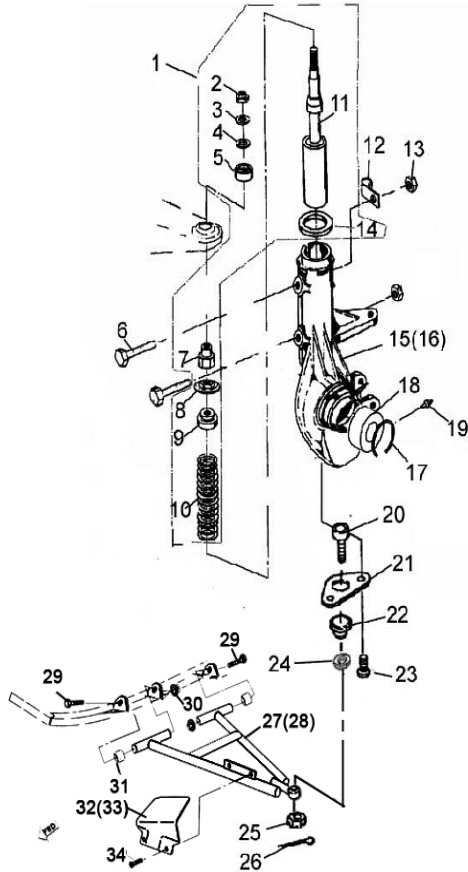
FRONT BODY&FRAME



REF. No.	PART NO.	DESCRIPTION	Q'TY
1	25064	FRONT COVER	1
2	27380	FRONT BODY	1
3	27357	PLASTIC BUMPER	1
4	27363	FRONT COVER	1
5	27365	PROTECTOR.R.HEADLIGHT	1
6	27348	FRAME COMP.	1
7	27376	PROTECTOR.L.HEADLIGHT	1
8	25071	FOOTREST RIGHT	1
9	25072	FOOTREST LEFT	1
10	10140	BOLT M6X12	2
11	27350	FRONT BODY BRACKET R	1
12	27390	FRONT BODY BRACKET L	1
13	25076	SIDE COVER R	1
14	25077	SIDE COVER L	1
15	22371	BULB,HEADLIGHT 35W/35W	4
16	27371	BALL JOINT, HEADLIGHT	4
17	27360	TRESTLE R	1
18	27358	TRESTLE L	1
19	27388	SIDE COVER,R.HEADLIGHT	1
20	27389	SIDE COVER,L.HEADLIGHT	1
21	10420	SCREW M6X16	8
22	10127	SCREW M6X20	4
23	70336	STEP	2
24	20413	DOWN BRACKET RADIATOR	1
25	20414	SPACER RUBBER	1
26	20412	UP BRACKET RADIATOR	1
27	10004	NUT M6	2
28	10140	BOLT M6X12	2
29	27384	FRONT INDICATOR LIGHT BRACKET,R	1

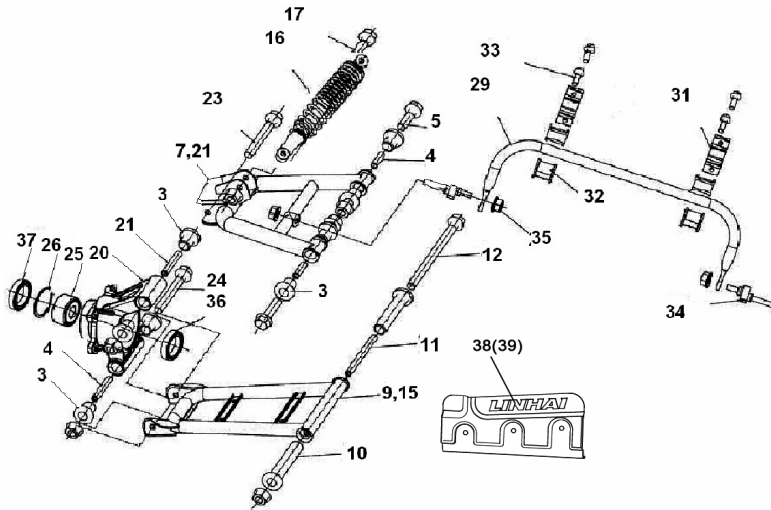
30	27361	FRONT INDICATOR LIGHT BRACKET,R	1
31	32045	FRONT INDICATOR LIGHT BULB 12V 10W (ONLY FOR EURO)	2
32	27353	HIGH BEAM BRACKET, R	1
33	25093	COVER,FUEL TANK TOP	1
34	70300	RUBBER WASHER	2
35	27374	FRONT INDICATOR LIGHT R (ONLY FOR EURO)	1
36	27375	FRONT INDICATOR LIGHT L (ONLY FOR EURO)	1
37	27369	HIGH BEAM	2
38	27354	DIPPED HEADLIGHT BRACKET, R	1
39	27370	DIPPED HEADLIGHT	2
40	27356	HIGH BEAM BRACKET, L	1
41	27355	DIPPED HEADLIGHT BRACKET, L	1
42	27372	ADJUSTMENT BOLT, HEADLIGHT	8
43	27373	SPRING	8

SHOCK ABSORBER FRONT



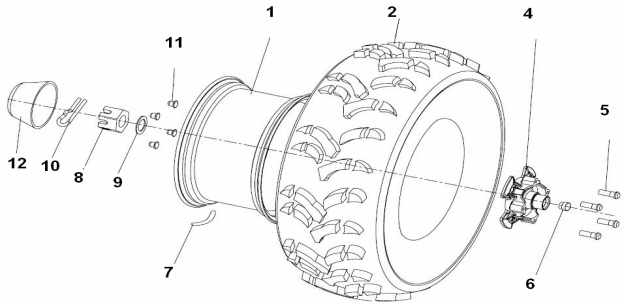
REF. No.	PART NO.	DESCRIPTION	Q'TY
1	26907	FRONT SHOCK ABSORBER ASSEMBLY	2
2	10091	NUT M14X1.5	2
3	10092	WASHER 14	2
4	21803	SPACER RUBBER	2
5	21804	UPPER PIVOT BALL	2
6	10093	BOLT M8X55	4
7	21806	NUT M14X1.5	2
8	21807	LOWER PIVOT BALL	2
9	21808	SPRING RETAINER	2
10	26909	SPRING	2
11	26908	STRUT BUMPER	2
12		CLAMP	2
13	10079	NUT M8	4
14	21813	SPRING RETAINER	2
15	26910	STRUT BODY LEFT	1
16	26911	STRUT BODY RIGHT	1
17	26912	CIRCLIP	2
18	26913	BEARING	2
19	10026	GREASE FITTING	2
20	20512	BALL JOINT STUD	2
21	20513	BALL JOINT MOUNTING BRACKET	2
22	20514	BALL JIONT CUP	2
23	10022	BOLT M6X12	4
24	10019	WASHER	2
25	27276	NUT M10X1.25	2
26	27215	COTTER PIN 2.5X25	2
27	20518F	A-ARM LEFT	1
28	20627F	A-ARM RIGHT	1
29	20522F	A-ARM PIVOT SHAFT	2
30	10136	NUT M12X1.25	4
31	20524F	BUSHING	4
32	20519	A - ARM SHIELD LEFT	1
33	20628	A - ARM SHIELD RIGHT	1
34	10001	SCREW M5X12	4

REAR ARM



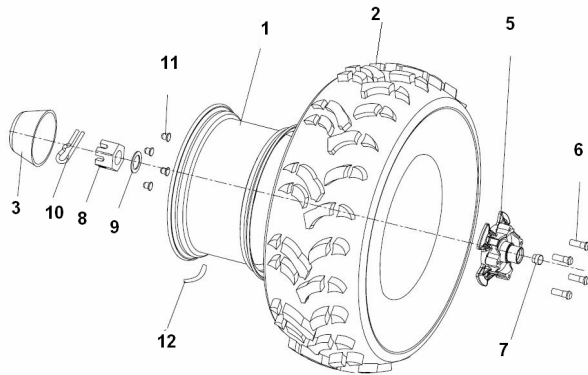
REF. No.	PART NO.	DESCRIPTION	Q'TY
2	27324	ARM ,L.RR	1
3	70682	BUSH 1, ARM ,R.RR	16
4	70683	COLLAR	4
5	70684	BOLT M10X1.25X80	4
7	27325	ARM ,R.RR	1
9	27326	ARM SET,L.RR	1
10	70665	BUSH 2, ARM ,R.RR	4
11	70687	COLLAR,ARM	2
12	70688	BOLT M10M1.25M230	2
15	27327	ARM SET,R.RR	1
16	70690	SHOCK ABSORBER ,RR	2
17	27206	BOLT M10X1.25X52	4
20	27334	KNUCKLE,R.RR	1
21	70692	COLLAR,RR.KNUCKLE,(UPPER)	2
22	70693	COLLAR,RR.KNUCKLE,(LOWER)	2
23	70694	BOL,TKNUCKLE,(UPPER)	2
24	70695	BOL,TKNUCKLE,(LOWER)	2
25	70674	BEARING AU0712	2
26	27217	CIRCLIP 58	2
29	70696	SPRING,RR.STABILIZER	1
31	70697	HOLDER,STABILIZER BUSH	2
32	70698	BUSH,RR.STABILIZER	2
33	10081	BOLT M8X20	4
34	70699	LINK,RR. STABILIZER	2
35	10015	NUT M10X1.25	18
36	70675	SEAL 61.5 43 11	2
37	70676	SEAL 58 41.2 11	2
38	70554	ARM PROTECT, L	1
39	70556	ARM PROTECT, R	1

WHEEL FRONT



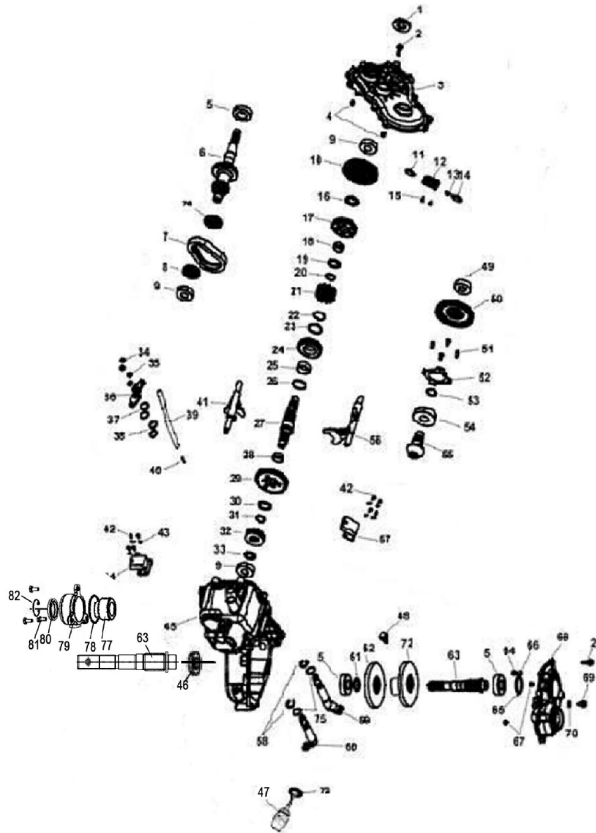
REF. No.	PART NO.	DESCRIPTION	Q'TY
1	27330	WHEEL SUB-ASSY, FR	2
2	27329	TIRE FRONT	2
4	27285	HUB ASSY SHRT	2
5	70714	BOLT M12X1.25	16
6	70718	SEAL	2
7	20807	VALVE, RIM	4
8	70721	BOLT SLOTTED	4
9	70722	WASHER	2
10	26267	PIN 4X32	2
11	27335	NUT, WHEEL	16
12	70717	CAP, WHEEL CENTER	2

WHEEL REAR



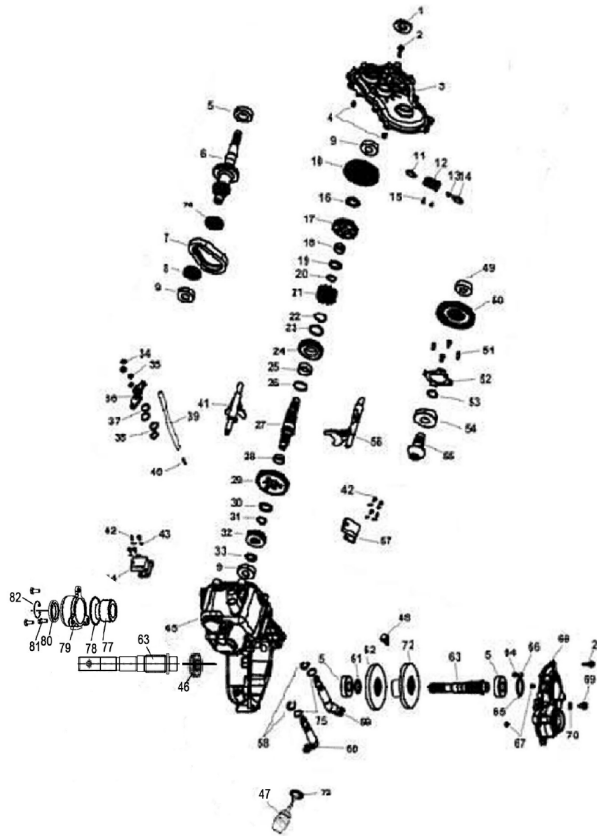
REF. No.	PART NO.	DESCRIPTION	Q'TY
1	27331	WHEEL SUB-ASSY, RR	2
2	27332	TIRE, RR (25X10-12)	2
3	70717	CAP, WHEEL CENTER	2
5	70719	HUB, RR WHEEL	2
6	70714	BOLT M12X1.25	16
7	70718	SEAL	4
8	70721	BOLT SLOTTED	2
9	70722	WASHER	2
10	26267	PIN 4X32	2
11	27335	NUT, WHEEL	16
12	20807	NUT, WHEEL	2

TRANSMISSION (FOR 2WD)



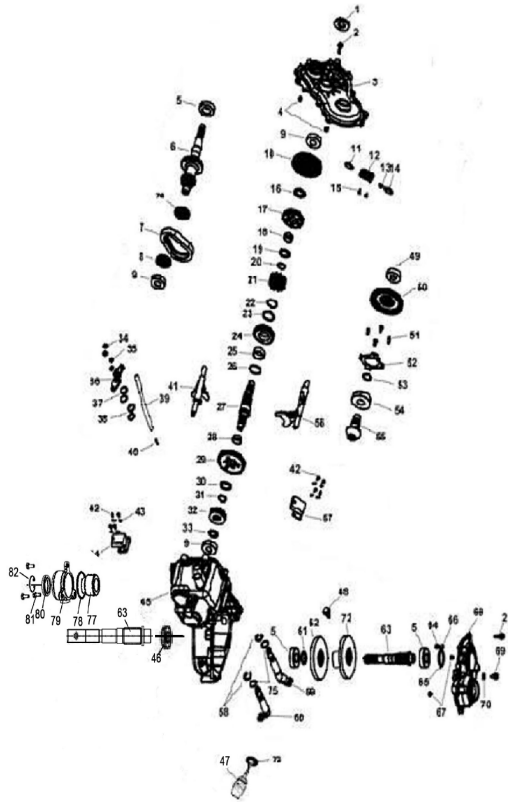
REF. No.	PART NO.	DESCRIPTION	Q'TY
1	21201	SEAL 25X47X8	1
2	10060	BOLT M8X28	17
3	21203	MAIN COVER	1
	21203B	MAIN COVER (USE WITH HIGH-POWER CLUTC	1
4	21104	DOWEL PIN	2
5	10061	BEARING 6205c3	3
6	21206	INPUT SHAFT 29T	1
	21206A	INPUT SHAFT 27T (FOR AUSTRALIA)	1
	21206B	INPUT SHAFT (USE WITH HIGH-POWER CLUTC	1
7	21207	CHAIN	1
8	21208	GEAR 16T	1
9	10062	BEARING 6204	3
10	21210	GEAR, HELICAL 35T	1
11	21211	INTERLOCK PIN	2
12	21212	INTERLOCK BRACKET	1
13	21213	SPRING	1
14	21211	INTERLOCK PIN	1
15	10001	SCREW M5X12	2
16	21216	SPACER	1
17	21217	GEAR 31T	1
	21217A	GEAR 32T (FOR AUSTRALIA)	1
18	21218	NEEDLE BEARING 25	1
19	21219	THRUST WASHER	1
20	10064	SNAP RING	1
21	21221	DOG GEAR	1
22	10065	SNAP RING	1
23	21223	THRUST WASHER	1
24	21224	SPROCKET 24T	1
25	21225	NEEDLE BEARING 25	1
26	21223	THRUST WASHER	1
27	21327	SHAFT	1
28	21218	NEEDLE BEARING 25	1
29	21329	GEAR 35T	1
30	21223	THRUST WASHER	1
31	10064	SNAP RING	1

TRANSMISSION (FOR 2WD)



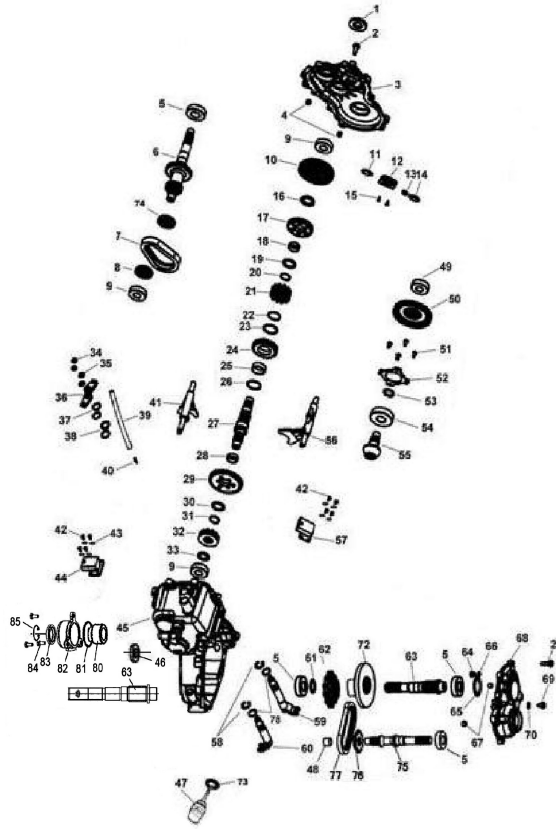
REF. No.	PART NO.	DESCRIPTION	Q'TY
32	21332	ENGAGEMENT	1
33	21333	THRST WASHER	1
34	10067	NUT M8	2
35	10068	WASHER 8	2
36	21336	BELLCRANK	2
37	10069	SNAP RING	2
38	21338	WASHER	2
39	21339	VENT TUBE	1
40	21340	VENT TUBE FITTING	1
41	21341	SHIFT FORK HIGH/REVERSE	1
42	10007	SCREW M4	8
43	10071	WASHER 4	8
44	21344	GEAR INDICATOR SWITCH	1
45	21345A	GEARCASE,RH	1
	21345B	GEARCASE,RH (USE WITH SPEED SENSOR)	1
46	21201	SEAL 25X47X8	1
47	21475	DIPSTICK	1
48	10219	SCREW	1
49	10063	BEARING 6204C3	1
50	21350	GEAR HELICAL 46T	1
51	10073	SCREW M6X10	4
52	21351	BEARING RETAINER PLATE	1
53	21453	SNAP RING	1
54	10074	BEARING 6305ST	1
55	21455	PINION SHAFT 10T	1
56	21456	SHIFT FORK LOW	1
57	21457	GEAR INDICATOR SWITCH	1
58	10075	SNAP RING	2
59	21459	SHIFT ROD LOW	1
60	21460	SHIFT ROD HIGH/REVERSE	1
61	21461	THRUST WASHER	1
62	21462	GEAR	1
63	21463	SHAFT REAR OUTPUT	1
63	70354	SHAFT REAR OUTPUTA (USE WITH SPEED SE	1
64	21464	THRUST BUTTON	1
65	21465	SHIM 1	1

TRANSMISSION (FOR 2WD)



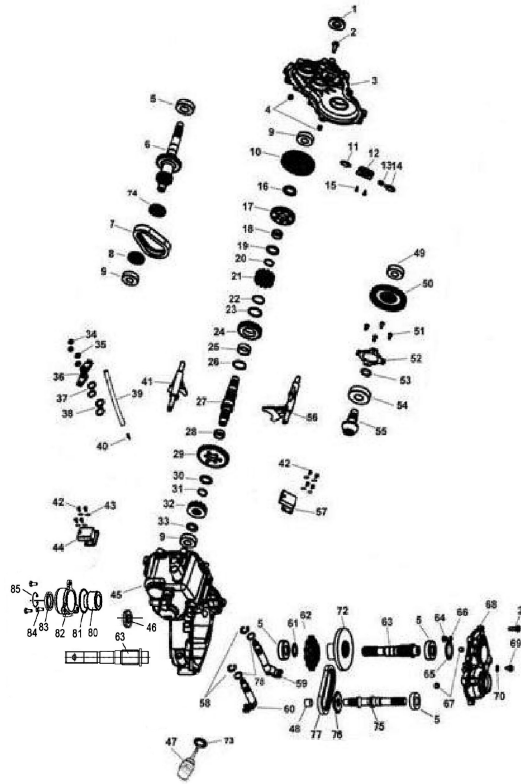
REF. No.	PART NO.	DESCRIPTION	Q'TY
66	21107	SHIM 2	1
67	21104	DOWEL PIN	1
68	21468	COVER	1
69	21469	DRAIN SCREW	1
70	21470	WASHER	1
72	21473	OIL PLATE	1
73	10122	O RING 18X2.65	1
74	21477	SPROCKET	1
75	10123	O RING 14X2.65	4
77	25511	COLLAR	1
78	25512	O RING 50X1.5	1
79	25513	SPEED SENSOR COVER	1
80	27216	SEAL30X40X5	1
81	10010	BOLTM6X15	3
82	10164	CLAMP 24	1

TRANSMISSION (FOR 4WD)



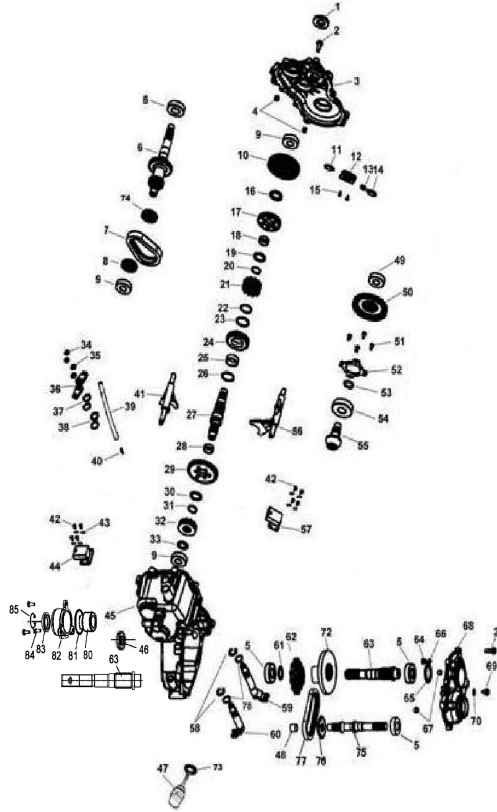
REF. No.	PART NO.	DESCRIPTION	Q'TY
1	21201	SEAL 25X47X8	1
2	10060	BOLT M8X28	17
3	21203	MAIN COVER	1
	21203B	MAIN COVER (USE WITH HIGH-POWER CLUTCH)	1
4	21104	DOWEL PIN	2
5	10061	BEARING 6205c3	4
6	21206	INPUT SHAFT	1
	21206A	INPUT SHAFT 27T (FOR AUSTRALIA)	1
	21206B	INPUT SHAFT (USE WITH HIGH-POWER CLUTCH)	1
7	21207	CHAIN	1
8	21208	GEAR 16T	1
9	10062	BEARING 6204	3
10	21210	GEAR,HELICAL 35T	1
11	21211	INTERLOCK PIN	2
12	21212	INTERLOCK BRACKET	1
13	21213	SPRING	1
14	21211	INTERLOCK PIN	1
15	10001	SCREW M5X12	2
16	21216	SPACER	1
17	21217	GEAR 31T	1
	21217A	GEAR 32T (FOR AUSTRALIA)	1
18	21218	NEEDLE BEARING 25	1
19	21219	THRUST WASHER	1
20	10064	SNAP RING	1
21	21221	DOG GEAR	1
22	10065	SNAP RING	1
23	21223	THRUST WASHER	1
24	21224	SPROCKET 24T	1
25	21225	NEEDLE BEARING 25	1
26	21223	THRUST WASHER	1
27	21327	SHAFT	1
28	21218	NEEDLE BEARING 25	1
29	21329	GEAR 35T	1
30	21223	THRUST WASHER	1
31	10064	SNAP RING	1
32	21332	ENGAGEMENT	1
33	21333	THRST WASHER	1

TRANSMISSION (FOR 4WD)



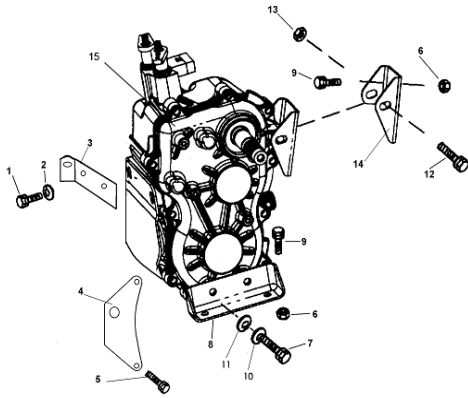
REF. No.	PART NO.	DESCRIPTION	Q'TY
34	10067	NUT M8	2
35	10068	WASHER 8	2
36	21336	BELLCRANK	2
37	10069	SNAP RING	2
38	21338	WASHER	2
39	21339	VENT TUBE	1
40	21340	VENT TUBE FITTING	1
41	21341	SHIFT FORK HIGH/REVERSE	1
42	10007	SCREW M4	8
43	10071	WASHER 4	8
44	21344	GEAR INDICATOR SWITCH	1
45	21345A	GEARCASE,RH	1
	21345B	GEARCASE,RH (USE WITH SPEED SENSOR)	1
46	21201	SEAL 25X47X8	1
47	21475	DIPSTICK	1
48	10275	BUSHING	1
49	10063	BEARING 6204C3	1
50	21350	GEAR HELICAL 46T	1
51	10073	SCREW M6X10	4
52	21351	BEARING RETAINER PLATE	1
53	21453	SNAP RING	1
54	10074	BEARING 6305ST	1
55	21455	PINION SHAFT 10T	1
56	21456	SHIFT FORK LOW	1
57	21457	GEAR INDICATOR SWITCH	1
58	10075	SNAP RING	2
59	21459	SHIFT ROD LOW	1
60	21460	SHIFT ROD HIGH/REVERSE	1
61	21461	THRUST WASHER	1
62	21483	SPORCKET 12T	1
63	21463	SHAFT REAR OUTPUT	1
63B	70354	SHAFT REAR OUTPUTA (USE WITH SPEED SE	1
64	21464	THRUST BUTTON	1
65	21465	SHIM 1	1
66	21107	SHIM 2	1
67	21104	DOWEL PIN	1

TRANSMISSION (FOR 4WD)



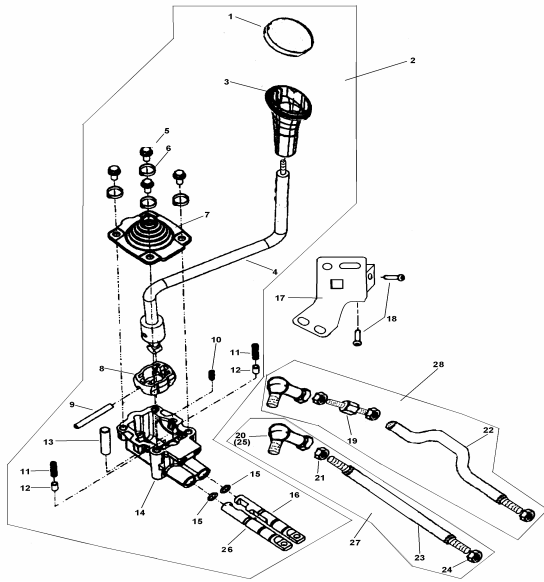
REF. No.	PART NO.	DESCRIPTION	Q'TY
68	21468T	COVER	1
69	21469	DRAIN SCREW	1
70	21470	WASHER	1
72	21462	GEAR	1
73	10122	O RING 18X2.65	1
74	21477	SPROCKET	1
75	21480	SHAFT FRONT OUTPUT	1
76	21481	SPORCKET 12T	1
77	21482	CHAIN	1
78	10123	O RING 14X2.65	4
80	25511	COLLAR	1
81	25512	O RING 50X1.5	1
82	25513	SPEED SENSOR COVER	1
83	27216	SEAL30X40X5	1
84	10010	BOLTM6X15	3
85	10164	CLAMP 24	1

SUPPORT BRACKET



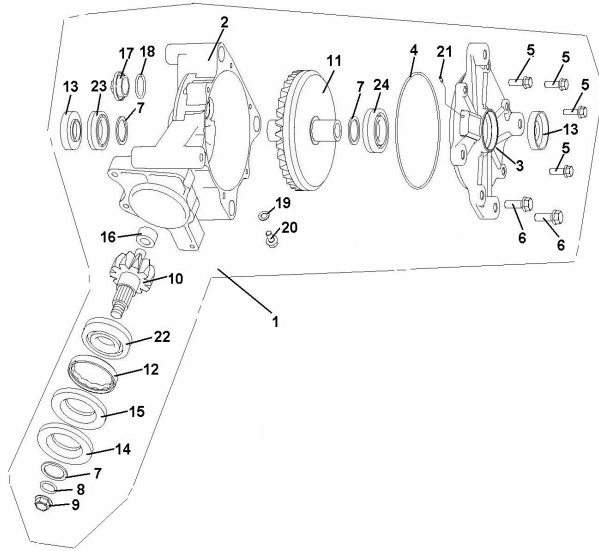
REF. No.	PART NO.	DESCRIPTION	Q'TY
1	10076	BOLT M12X20	2
2	10054	WASHER 12	2
3	27292	TRANSMISSION MOUNTING BRACKET RIGHT	1
4	21504	TRANSMISSION MOUNTING BRACKET LEFT	1
5	10078	BOLT M8X30	3
6	10079	NUT M8	3
7	10028	BOLT M10X25	2
8	21508	TRANSMISSION MOUNTING BRACKET BOTTOM	1
9	10081	BOLT M8X20	3
10	10027	WASHER 10	2
11	10019	WASHER	2
12	10084	BOLTM10X1.25X70	1
13	10015	NUT M10	1
14	21514	TRANSMISSION MOUNTING BRACKET REAR	1
15	21515A	TRANSMISSION ASSY(2WD、 FOR SPEED SENS	1
	21515B	TRANSMISSION ASSY(2WD)	1
	21515C	TRANSMISSION ASSY(2WD、 FOR SPEED SENS	1
	21515D	TRANSMISSION ASSY(2WD、 FOR HIGH-POWE	1
	21515SA	TRANSMISSION ASSY(4WD、 FOR SPEED SENS	1
	21515SB	TRANSMISSION ASSY(4WD)	1
	21515SC	TRANSMISSION ASSY(4WD、 FOR SPEED SENS	1
	21515SL	TRANSMISSION ASSY(4WD、 FOR HIGH-POWE	1
	21514	TRANSMISSION ASSY(FOR 50TH MODEL 4WD \$	1

SHIFT ROD



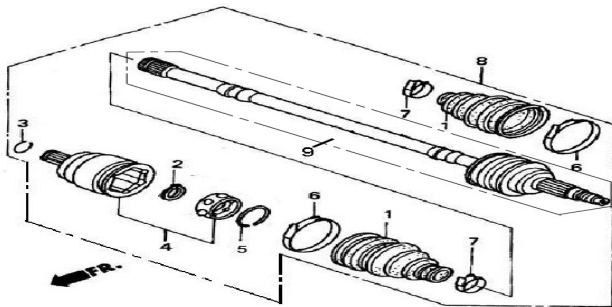
REF. No.	PART NO.	DESCRIPTION	Q'TY
1	21601A	LABLE	1
2	21729B	SHIFTER ASSY MOUNTING	1
3	21603A	KNOB	1
4	21604A	SHIFT LEVER	1
5	10086	BOLT M6X12	4
6	10006	WASHER 6	4
7	21607	BOOT	1
8	21608A	PLASTIC SPHERE	1
9	21609A	GROOVE PIN	1
10	21610A	CENTERING SPRING	1
11	21611A	DETENT SPRING	2
12	21612A	DETENT BULLET	2
13	21613A	DOWEL PIN	1
14	21614A	SHIFFER HOUSING	1
15	21615	O-RING	2
16	21616A	SELECTOR SLIDES HIGH/REVERSE	2
17	21617A	SHIFTER MOUNTING BRACKET	1
18	10010	BOLT M6X15	4
19	21619	SHIFT ROD COUPLER	1
20	21620	SHIFT ROD END CW	2
21	10090	JAM NUT M6 CW	3
22	21622	SHIFT ROD HIGH/REVERSE	1
23	27288	SHIFT ROD LOW	1
24	21624	JAM NUT M6 CCW	2
25	21625	SHIFT ROD END CCW	2
26	21626	SELECTOR SLIDES LOW	1
27	27287	SHIFTER MOUNTING ROD A	1
28	21728	SHIFTER MOUNTING ROD B	1

REAR GEAR-BOX



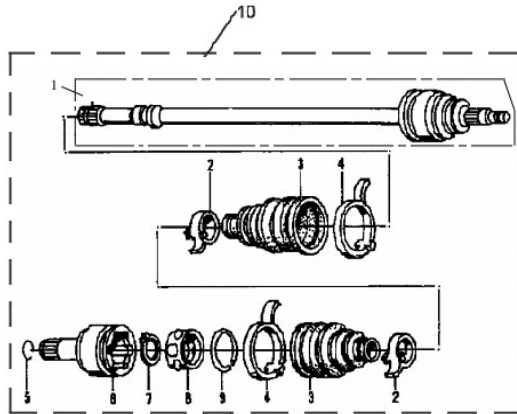
REF. No.	PART NO.	DESCRIPTION	Q'TY
1	70286	REAR GEAR-BOX ASSY	1
2	70291	DRIVE HOUSING	1
3	70292	OUTPUT COVER	1
4	70293	O-RING 160X2.65	1
5	10060	BOLT M8X28	4
6	27207	BOLT M10X1.25X28	2
7	70294	WASHER 31	3
8	70295	O-RING 20X3	1
9	70296	NUT M16X1.5	1
10	70297	OUTPUT AXLE,RING REAR GEAR-BOX	1
11	70298	INPUT AXLE,RING REAR GEAR-BOX	1
12	70299	LOCK NUT	1
13	70288	SEAL 30X55X11	2
14	70289	SEAL 38X85X8	1
15	70290	SEAL 38X80X8	1
16	44104	BEARING 15NQ2815	1
17	24305	OIL SCREEN CAP	1
18	1309280	O-RING	1
19	20818	WASHER	1
20	20817	OIL PLUG	1
21	21340	TUBE,REAR GEAR-BOX BREATHER	1
22	27210	BEARING 6306	1
23	10202	BEARING 6006	1
24	26240	BEARING	1

FRONT DRIVE AXLE (FOR 4WD)



REF. No.	PART NO.	DESCRIPTION	Q'TY
1	24403	OUTER BOARD BOOT	4
2	24407	CIRCLIP 20	2
3	24405	ATOPPER RING	2
4	25244	JOUNT,INBOARD(CONTAIN INBOARD AXLE STEEL BALL BRACKET STEEL BALL AND GEAR WHEEL)	2
5	24409	STOPPER RING	2
6	24404	BOOT BAND B	4
7	24402	BOOT BAND A	4
8	27346	FRONT DRIVE AXLE	2

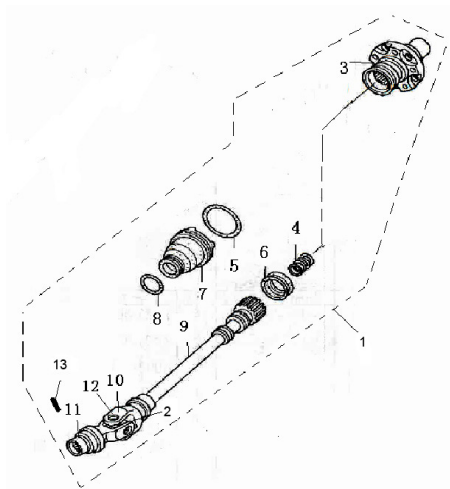
REAR DRIVE AXLE



9	27392	DRIVE AXLE/OUTER CV JOINT ASSEMBLY	2
---	-------	------------------------------------	---

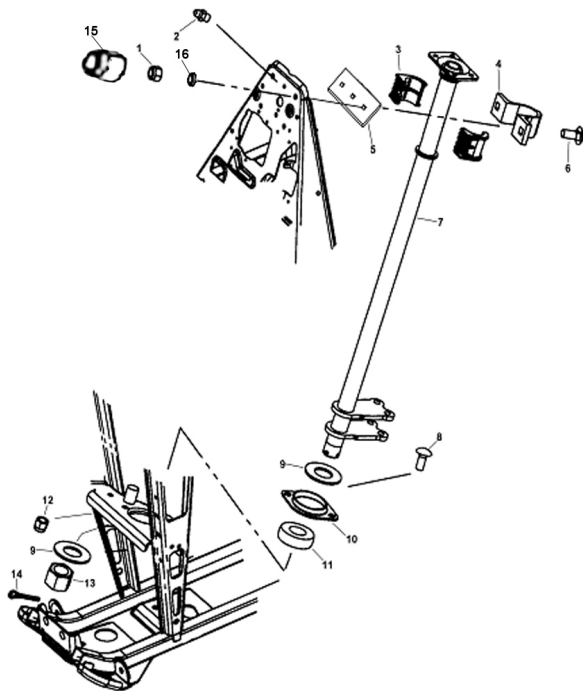
REF. No.	PART NO.	DESCRIPTION	Q'TY
1	27393	DRIVE AXLE/OUTER CV JOINT ASSEMBLY	2
2	24402	BOOT BAND "A"	1
3	24403	OUTER BOARD BOOT	1
4	24404	BOOT BAND "B"	1
5	70084	STOPPER RING B	1
6	70360	OUTER CV JOINT	1
7	24407	CIRCLIP 20	1
8	25244	STEEL BALL BRACKET STEEL BALL AND GEAR WHEEL	2
9	24409	STOPPER RING A	1
10	27347	REAR DRIVE AXLE	1

REAR KNUCKLE ASSY



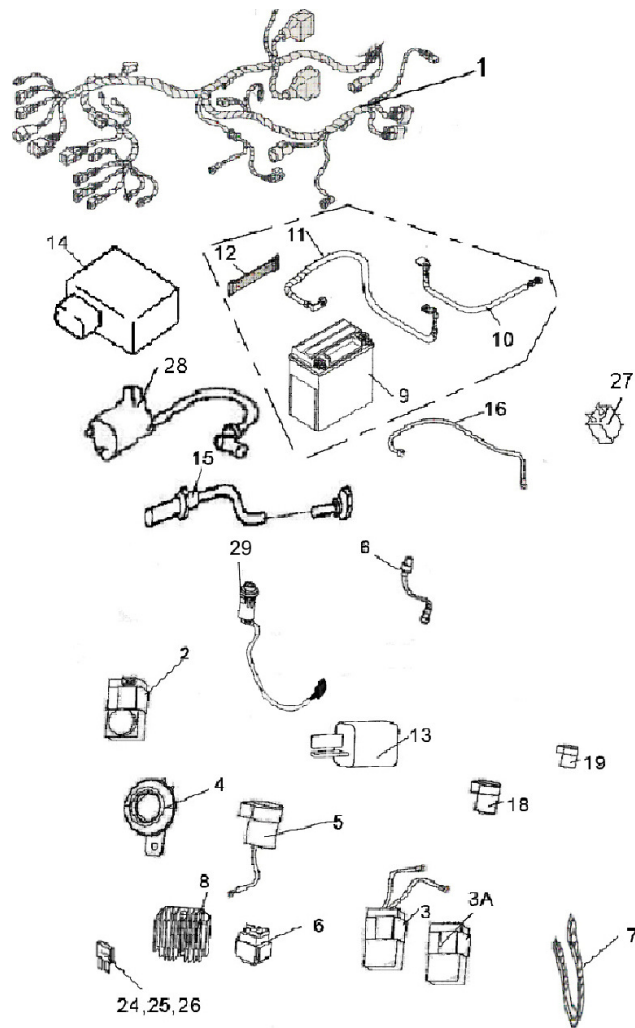
REF. No.	PART NO.	DESCRIPTION	Q'TY
1	70303	REAR KNUCKLE	1
2	70056	U-JOINT CROSS	1
3	70302	JOINT, INBOARD	1
4	70304	SPRING, REAR KNUCKLE	1
5	70305	SEAL	1
6	70306	BAND, OUTBOARD BOOT	1
7	70307	BOOT SET	1
8	70308	BAND, SHAFT BOOT	1
9	27310	SPLING AXLE	1
10	70310	LINK FORK	1
11	70311	SLIP JOINT	1
12	27214	CIRCLIP 20	4
13	20716	KERBSTIFTE	1

STEERING COLUMN



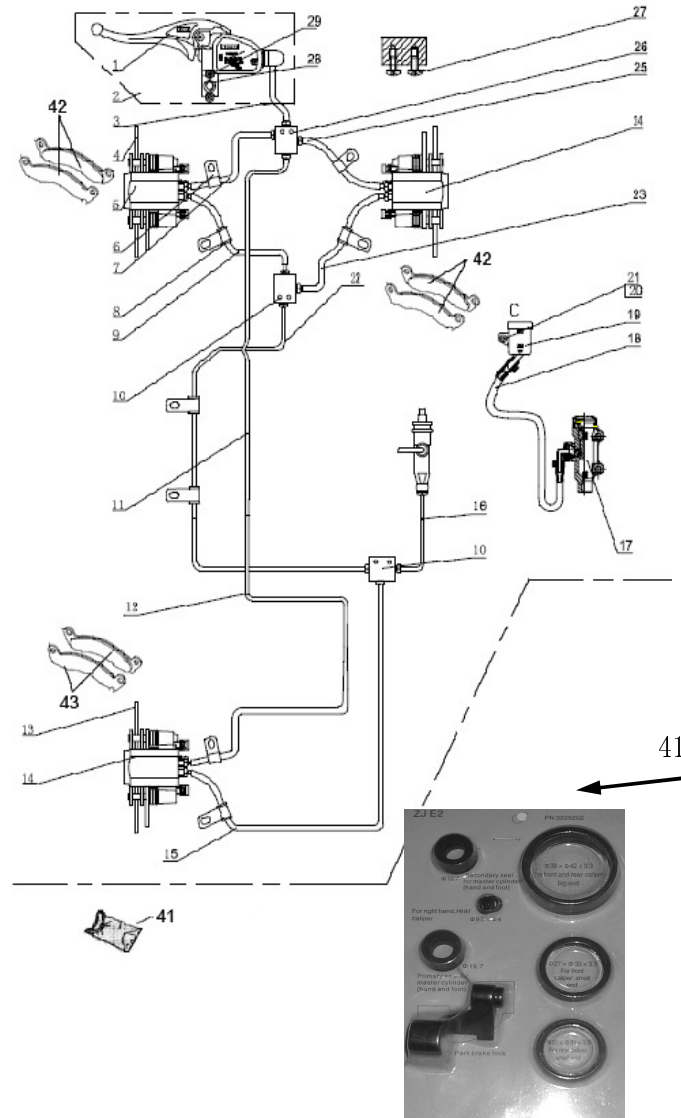
REF. No.	PART NO.	DESCRIPTION	Q'TY
1	10079	NUT M8	2
2	10026	GREASE FITTING	1
3	21903	BUSHING	2
4	21904	STEERING CLAMP REAR	1
5	21905	STEERING CLAMP FRONT	1
6	21906	BOLT	2
7	31907F	STEERING COLUMN (608 MM LENGTH)	1
8	21906	BOLT	2
9	21909	WASHER	2
10	21910	BEARING RETAINER	1
11	21911	BEARING	1
12	10079	NUT M8	2
13	10100	STEERING COLUMN RETAINER NUT	1
14	10101	COTTER PIN	1
15	27256	PROTECT COVER	2
16	10106	SPRING WASHER	2

ELECTRICAL SYSTEM



REF. No.	PART NO.	DESCRIPTION	Q'TY
1	27366	WIRING HARNESS	1
2	32038	REVERSE GEAR WARNING (FOR 4WD)	1
3	22002A	REVERSE SPEED LIMITER (FOR 50TH MODEL)	1
4	32029	HORN	1
5	32028	FLASHER RELAY ASSY	1
6	22004	STARTER RELAY	1
7	25530	TIE	20
8	22007	REGULATOR RECTIFIER	1
9	22005	BATTERY(BATTERY COVER IS ON PAGE 3)	1
10	32003	BATTERY CABLE POSITIVE	1
11	32006	BATTERY CABLE GROUND	1
12	22018	BATTERY BELL	1
13	32021	CAPACITOR	1
14	27340	CDI	1
15	32020	GEAR SENSOR(FOR 05 AND BEFORE MODEL)	1
16	27258	GEAR SENSOR HARNESS (FOR 05 AND BEFORE MODEL)	1
18	25517	RUBBER SHEATH 1	
19	25519	RUBBER SHEATH 2	
21	25520	DISPLAY HARNESS	1
23	22008	WARNING BUZZER (NOT FOR 30101G)	1
24	22019	7.5 AMP FUSE	1
25	22020	15 AMP FUSE	2
26	22021	3 AMP FUSE	1
27	32021	CAPCITOR	1
28	22012	IGNITION COIL AND WIRE	1
29	70400	ACCESSORY SOCKET ASSY	1

BRAKING SYSTEM

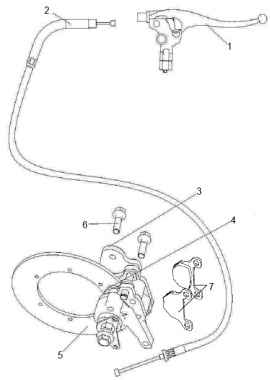


REF. No.	PART NO.	DESCRIPTION	Q'TY
1	2211120	BRAKE LEVER	1
2	27320	MASTER CYLINDER WITH BRAKE LEVER	1
3	22102	HAND BRAKE HOSE	1
4	27321	FRONT BRAKE DISC	2
5	32205A	BRAKE CALIPER LEFT,FRONT	1
6	21811	CLAMP	2
7	22229	FRONT BRAKE HOSE 2	1
8	32105	RUBBER TUBE1	3
9	27313	FRONT BRAKE HOSE 1	1
10	32107	BRAKE LINE COUPLER	1
11	27314	TUBE DISKBRAKE REAR	1
12	27315	REAR BRAKE HOSE 1	1
13	70537	REAR BRAKE DISC	2
14	70520	BRAKE CALIPER LEFT,REAR	1
15	27316	REAR BRAKE HOSE 2	1
16	27377	REAR BRAKE HOSE 3	1
17	27378	FOOT BRAKE CYLINDER	1
18	27379	RESERVOIR HOSE	1
19	70496	RESERVOIR	1
20	10109	NUT M5	1
21	10108	BOLT M5X12	1
22	27317	TUBE DISKBRAKE,FOOT BRAKE	1
23	32233	FRONT BRAKE HOSE2	1
24	32231A	BRAKE CALIPER RIGHT	1
25	70483	FRONT BRAKE HOSE3	1
26	70548	FOUR LINE COUPLER	
27	10001	BOLT M5X15	4
28	27283	BOLT M6X22	2
29	27277	CAP	1
30	32243F	FOOT BRAKE MOUNTING PLATE	1
31	22242	RETURN SPRING	1
32	32241F	BRAKE PEDAL	1
33	10115	RETAINER	1
34	22238	WASHER	1
35	10113	BOLT M5X8	6
36	10113	BOLT M5X8	1



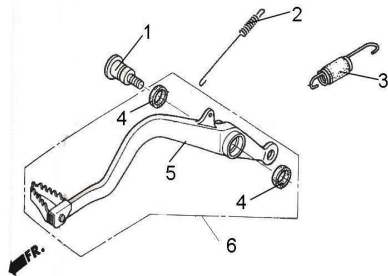
37	22235	BRAKE LINE CLAMP SMALL	1
38	22236	BRAKE LINE CLAMP LARGE	3
39	22243	STORP SWITCH FRONT	1
40	32246	SPRING, STOP SWITCH	1
41	32252	SERVICE KIT	1
42	27340	INSIDE AND OUTSIDE PAD ,FRONT	4
43	70525	INSIDE AND OUTSIDE PAD,REAR	2
44	10004	NUT M6	2
45	10110	BOLT M6X20	3

AUXILIARY BRAKE (FOR EUROPE)



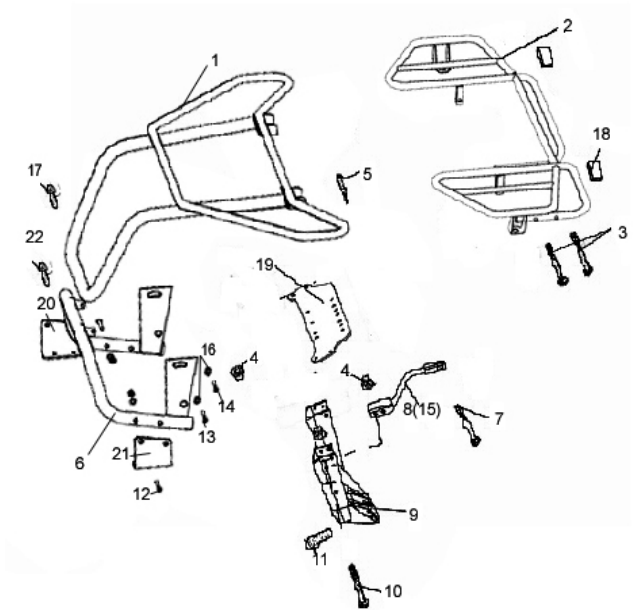
REF. No.		DESCRIPTION	Q'TY
1	70636	MASTER CYLINDER(WITH LEVER)	1
2	70637	BRACK CABLE	1
3	70638	BRACK CALIPER(SEE THE DETAIL ON P24.2(1))	1
4	70643	DISK BRAKE	1
5	70645	INSIDE AND OUTSIDE PAD	2
6	10218	BOLT M8X40	2
7	27284	BRAKE PAD	2

PEDAL,BRAKE



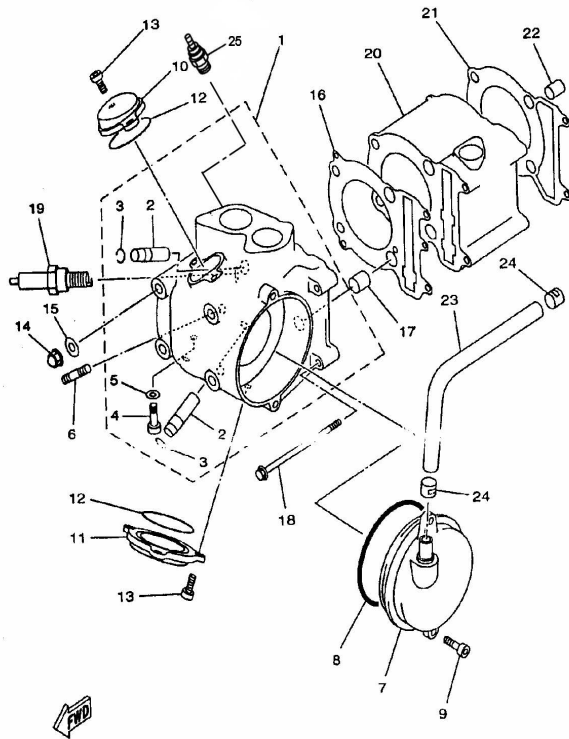
REF. No.	PART No.	DESCRIPTION	Q'TY
1	70542	SHAFT,BRAKE PIVOT	1
2	27349	SPRING,STOP SWITCH	1
3	29648	SPRING ASSY	1
4	70540	DUST SEAL	2
5	25146	PEDAL BRAKE	1
6	25147	PEDAL BRAKE ASSY	1

BUMPER & RACK



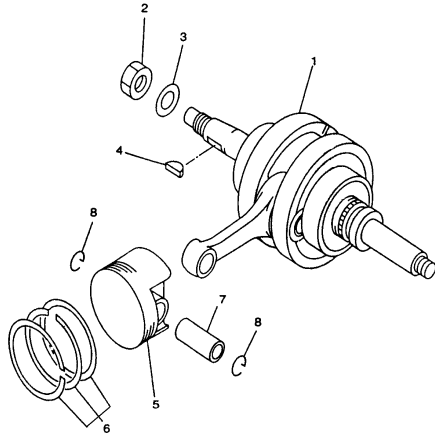
REF. No.	PART No.	DESCRIPTION	Q'TY
1	27359	REAR RACK	2
2	27364	FRONT RACK	1
3	10055	BOLTM8X45	4
4	10079	NUT M8	4
5	10059	BOLT M8X25	2
6	25149	FRONT RACK	1
7	25150	BOLT M8X85	2
8	25219L	TRESTLE 1 LEFT	1
9	20258	BUMPER BRACKET	1
10	25056	BOLT M8X70	4
11	10059	BOLT M8X25	2
12	29506	BOLT M8X55	4
13	10081	BOLT M8X20	2
14	10059	BOLT M8X25	2
15	25219R	TRESTLE 1 RIGHT	4
16	26009	WASHER 8	4
17	10081	BOLT M8X20	2
18	22321	FRONT REFLECTOR (RED) (FOR EUROPE)	2
19	70366	BRACKET,PULLING	1
20	27387	HOLDER,R.PULLIN BRACKET	1
21	27386	HOLDER,L.PULLIN BRACKET	1
22	10140	BOLT M6X12	4

CYLINDER



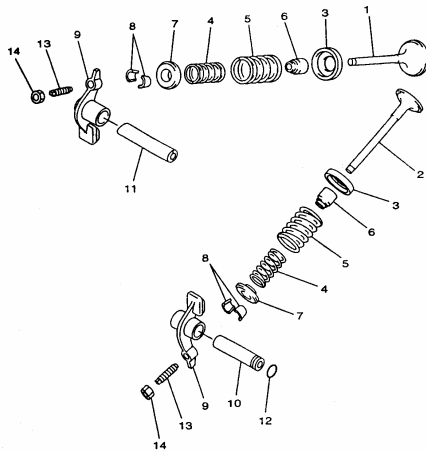
REF. No.	PART NO.	DESCRIPTION	Q'TY
1	27337	CYLINDER HEAD ASSY	1
2	27338	GUIDE INTAKE VALVE	2
3	10112	CIRCLIP 12	2
4	10086	BOLT M6X12	1
5	22810	GASKET 6	1
6	10014	BOLT STUD M8X25	2
7	22407	BREATHER ASSY	1
8	22408	O-RING 95X3.3	1
9	10008	BOLT SOCKET HEAD M6X20	2
10	22410	VALVE COVER INTAKE SIDE	1
11	22411	VALVE COVER EXHAUST SIDE	1
12	22412	O-RING 57.5X2.3	2
13	10008	BOLT SOCKET HEAD M6X20	5
14	22414	NUT CROWN M8	4
15	22415	WASHER PLATE 8	4
16	27221	GASKET CYLINDER HEAD1	1
17	22417	PIN DOWEL 14X16	2
18	27339	BOLT FLANGE M6X130	2
19	22419	PLUG SPARK-NGK DR8EA	1
20	27228	CYLINDER	1
21	27226	GASKET CYLINDER	1
22	22422	PIN DOWEL 10X14	2
23	22423	PIPE BREATHER1	1
24	43514	CLIP 13MM	2
25	22014	THERMO UNIT	1

CRANKSHAFT COMP



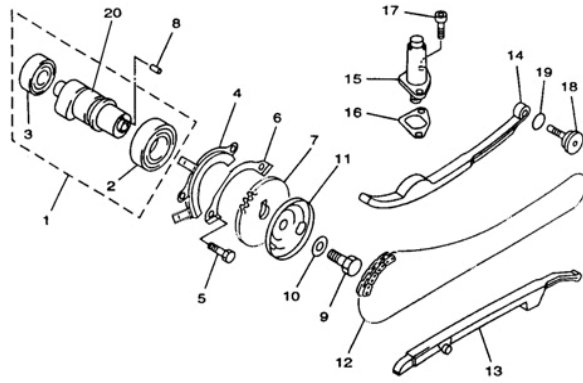
REF. No.	PART NO.	DESCRIPTION	Q'TY
1	27238	CRANKSHAFT ASSY	1
2	22502	NUT M16X1	1
3	22503	WASHER PLATE 16	1
4	22504	KEY WOODRUFF	1
5	27241	PISTON	1
6	27242	PISTON RING SET	1
7	27240	PISTON PIN	1
8	27239	CLIP	2

VALVE



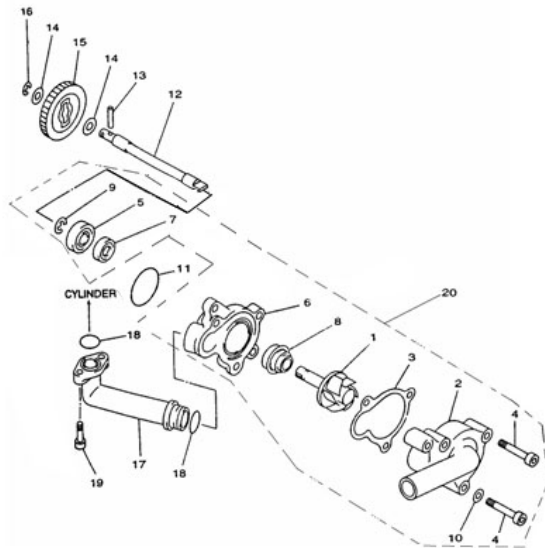
REF. No.	PART NO.	DESCRIPTION	Q'TY
1	27222	INTAKE VALVE	1
2	27223	EXHAUST VALVE	1
3	22603	SEAT SPRING VALVE	2
4	22604	SPRING VALVE INNER	2
5	22605	SPRING VALVE OUTER	2
6	22606	SEAL VALVE STEM	2
7	22607	RETAINER SPRING VALVE	2
8	22608	COTTER VALVE	4
9	22609	ROCKER ARM VALVE	2
10	22610	EXHAUST ROCKER SHAFT	1
11	22611	INTAKE ROCKER SHAFT	1
12	22612	O-RING 9X2	1
13	22613	ADJUSTING SCREW VALVE	2
14	22614	NUT M6X0.75	2

CAMSHAFT CHAIN



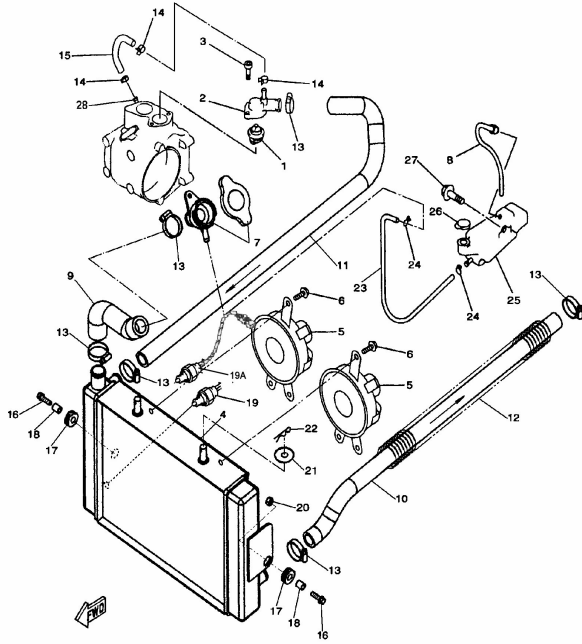
REF. No.	PART NO.	DESCRIPTION	Q'TY
1	27234	CAMSHAFT ASSY1	1
2	10012	BEARING	1
3	10013	BEARING(B6202Z)	1
4	27237	PLATE	1
5	10086	BOLT M6X12	2
6	27236	LOCK WASHER	1
7	22707	CAM CHAIN SPROCKET	1
8	10024	DOWEL PIN B4X10	1
9	10025	BOLT M10X1.25X25	1
10	22710	WASHER PLATE 10	1
11	22711	BREATHER PLATE2	1
12	27201	CHAIN	1
13	27203	GUIDE STOPPER1	1
14	27202	GUIDE STOPPER2	1
15	22715A	CAM CHAIN TENSIONER ASSY	1
16	22716	GASKET TENSIONER CASE	1
17	10036	SOCKET HEAD BOLT M6X14	2
18	22718	CHAIN TENSIONER PIVOT BOLT	1
19	22719	O-RING 14.5X1.8	1
20	27235	CAMSHAFT	1

WATER PUMP



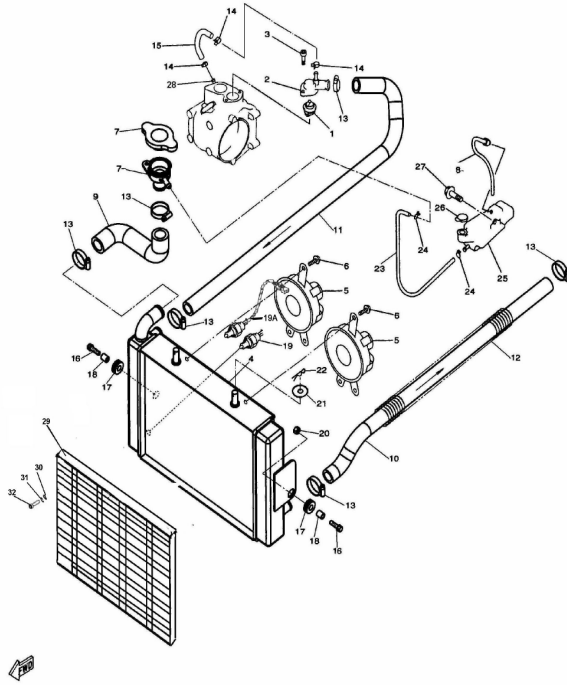
REF. No.	PART NO.	DESCRIPTION	Q'TY
1	22801	IMPELLER SHAFT ASSY	1
2	22802	HOUSING COVER	1
3	22803	GASKET HOUSING COVER2	1
4	10041	SOCKET HEAD BOLT M6X35	3
5	10043	BEARING	1
6	22806	WATER PUMP HOUSING	1
7	22807	OIL SEAL 10X21X5	1
8	22808	MECHANICAL SEAL	1
9	10044	CIRCLIP 9	1
10	22810	GASKET 6	1
11	10049	O-RING 33.5X2.65	1
12	27230	SHAFT	1
13	10070	DOWEL PIN C3X22	1
14	23814	WASHER PLATE 8	2
15	22815	IMPELLER SHAFT GEAR	1
16	10072	CIRCLIP 8	1
17	27229	JOINT	1
18	10082	O-RING 15.5X2.5	2
19	10083	SOCKET HEAD BOLT M6X15	2
20	27227	WATER PUMP ASSY	1

RADIATOR (FOR 2WD)



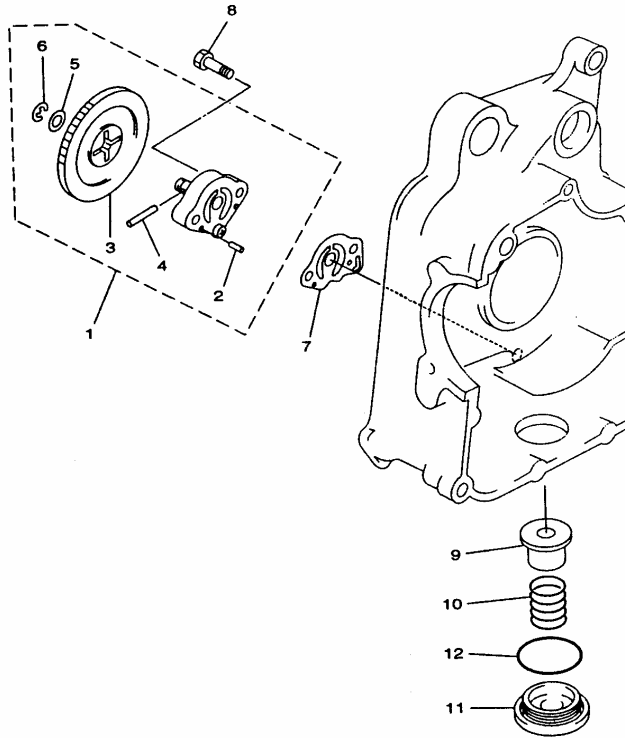
REF. No.	PART NO.	DESCRIPTION	Q'TY
1	22901	THERMOSTAT	1
1	22901A	THERMOSTAT(ONLY FOR ITALY)	1
2	22902	THERMOSTAT COVER	1
3	10085	SOCKET HEAD BOLT M6X25	2
4	22904F	RADIATOR ASSY	1
5	22905	BLOWER ASSY	2
6	10087	FLANGE BOLT M6X9	6
7	22907A	SAFETY VALVE	1
8	23028	PIPE 2	1
9	22909F	RADIATOR FILLER HOSE	1
10	22910	RETURN HOSE	1
11	22911F	FEED HOSE	1
12	22912	COMPRESSION SPRING	2
13	22913	HOSE CLAMP1	6
14	22914	HOSE CLAMP2	2
15	22915	HOSE2	1
16	10110	BOLT M6X20	2
17	22917	RADIATOR SIDE SUPT GROMMET	2
18	22918	COLLAR	2
19	22919	THERMOSTAT SWITCH ASSY	1
19A	22919A	THERMOSTAT SWITCH ASSY(ONLY FOR ITALY)	1
20	10004	NUT M6	2
21	10019	WASHER PLATE 10	2
22	10094	CLIP 2X20	2
23	22923	PIPE 1	1
24	22924	CLIP	2
25	22925	TANK RECOVERY	1
26	22926	CAP	1
27	10140	BOLT FLANGE M6X12	1
28	23001	JOIN	1

RADIATOR (FOR 4WD)



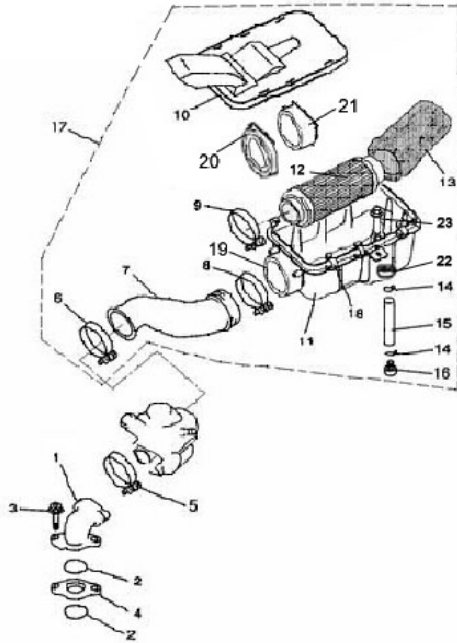
REF. No.	PART NO.	DESCRIPTION	Q'TY
1	22901	THERMOSTAT	1
1	22901A	THERMOSTAT(ONLY FOR ITALY)	1
2	22902	THERMOSTAT COVER	1
3	10085	SOCKET HEAD BOLT M6X25	2
4	22904T	RADIATOR ASSY (THICKER)	1
5	22905	BLOWER ASSY	2
6	10087	FLANGE BOLT M6X9	6
7	22907A	SAFETY VALVE	1
8	23028	PIPE 2	1
9	22909T	RADIATOR FILLER HOSE	1
10	22910T	RETURN HOSE	1
11	22911F	FEED HOSE	1
12	22912	COMPRESSION SPRING	2
13	22913	HOSE CLAMP1	6
14	22914	HOSE CLAMP2	2
15	22915	HOSE1	1
16	10110	BOLT M6X20	2
17	22917	RADIATOR SIDE SUPT GROMMET	2
18	22918	COLLAR	2
19	22919	THERMOSTAT SWITCH ASSY	1
19A	22919A	THERMOSTAT SWITCH ASSY(ONLY FOR ITALY)	1
20	10004	NUT M6	2
21	10019	WASHER PLATE 10	2
22	10094	CLIP 2X20	2
23	22923	PIPE 1	1
24	22924	CLIP	2
25	22925	TANK RECOVERY	1
26	22926	CAP	1
27	10140	BOLT FLANGE M6X12	1
28	23001	JOIN	1
29	23002	FENDER (USED FOR SPORT)	1
30	10006	WASHER 6 (USED FOR SPORT)	4
31	10308	SPRING WASHER (USED FOR SPORT)	4
32	10423	BOLT FLANGE M6X14 (USED FOR SPORT)	4

OIL PUMP



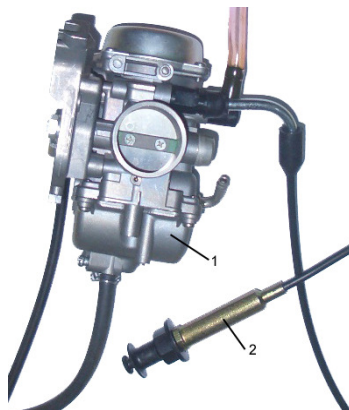
REF. No.	PART NO.	DESCRIPTION	Q'TY
1	27245	OIL PUMP ASSY	1
2	10096	DOWEL PIN 3X12	2
3	23103	GEAR PUMP DRIVEN	1
4	10097	DOWEL PIN C3X22	1
5	23814	WASHER PLATE	1
6	10130	CIRCLIP	1
7	23107	GASKET	1
8	10098	SCREW M6X25	2
9	23109	OIL STRAINER	1
10	23110	COMPRESSION SPRING	1
11	23111	DRAIN PLUG	1
12	23112	O-RING 36X3.5	1

AIR CLEANER



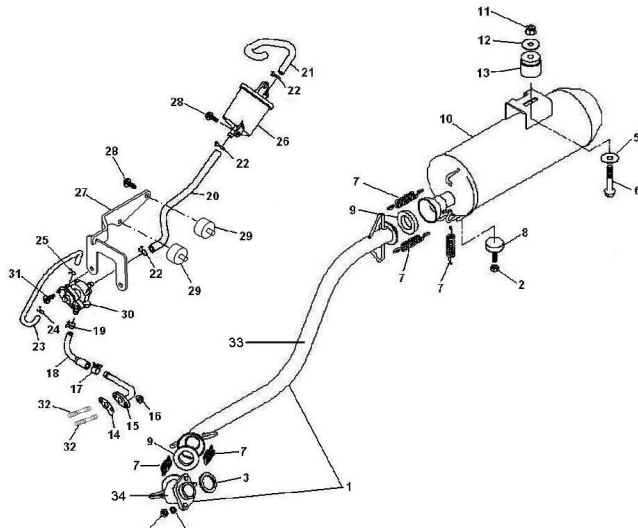
REF. No.	PART NO.	DESCRIPTION	Q'TY
1	27220	JOINT CARBURETOR(FOR EUROPE)	1
2	23202	O-RING 35X2	2
3	10085	SCOKET HEAD BOLT M6X25	2
4	27225	JOINT	1
5	23205	HOSE CLAMP D	1
6	23206	HOSE CLAMP C	1
7	27286	AIR CLEANER JOINT	1
8	23208	HOSE CLAMP B	1
9	23209	HOSE CLAMP A	1
10	23210	COVER AIR CLEANER	1
11	23211	AIR CLEANER CASE1	1
12	23212	ELEMENT COMP AIR CLEANER	1
13	23213	FILTER COVER	1
14	23214	CLIP	2
15	23215	HOSE	1
16	23216	PLUG	1
17	23217	AIR CLEANER ASSY	1
18	23218A	AIR CLEANER COVER CLIP	6
19	25587	JOINT, AIR CLEANER	1
20	25588	WASHER, AIR CLEANER	1
21	25589	JOINT FIXED, AIR CLEANER	1
22	25600	RUBBER WASHER	2
23	10182	BOLT M6X30	2

CARBURETOR



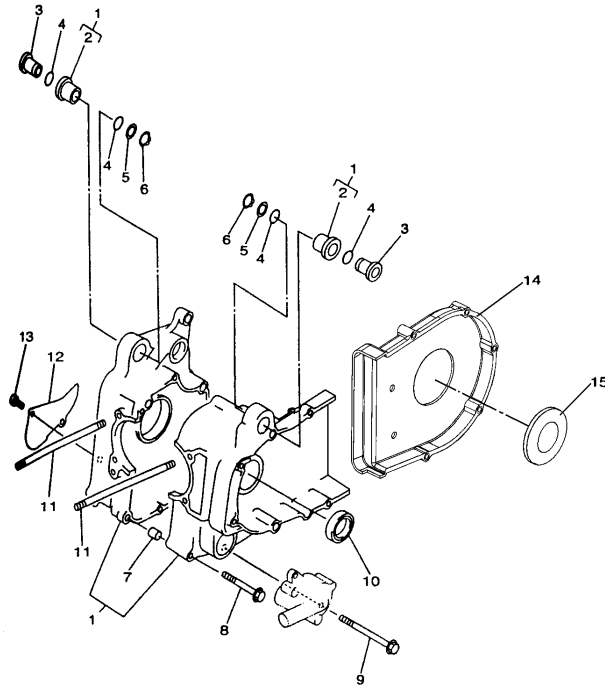
REF. No.	PART NO.	DESCRIPTION	Q'TY
1	27224	CARBURETOR ASSY	1
2	70180	LINE ASSY	1

EXHAUST (FOR EUROPE)



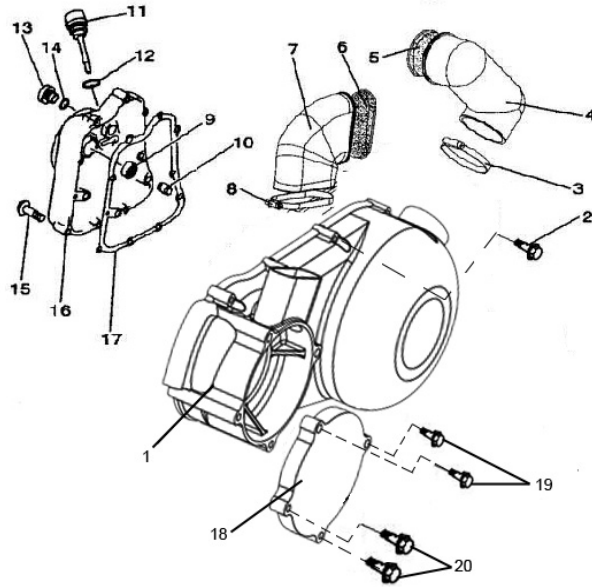
REF. No.	CODE	DESCRIPTION	Q'TY
1	25200	EXHAUST PIPE	1
2	10099	NUT M8	4
3	23403	EXHAUST PIPE GASKET	1
4	10106	WASHER 8	2
5	10117	WASHER PLATE 10	1
6	27209	BOLT FLANGE M10X1.25X62	1
7	23408	SPRING	5
8	25202	MUFFLER SUPPORT BOTTOM	1
9	25222	JOUNT	1
10	27351	MUFFLER	1
11	10015	NUT M10X1.25	1
12	10117	WASHER PLATE 10	1
13	27352	MUFFLER SUPPORT	1
14	43510	WASHER	1
15	43511A	HOSE	1
16	10004	NUT M6	2
17	43513	CLIP 16	1
18	43512	HOSE C	1
19	43514	CLIP 13	1
20	43525	HOSE B	1
21	43518	HOSE A	1
22	43519	HOSE CLAMP 16	3
23	43520	PIPE	1
24	43521	CLIP 9	1
25	43522	CLIP 7.6	1
26	43523	FILTER	1
27	33227	VALVE BRACKET	1
28	10140	BOLT M6X12	4
29	20316	RUBBER PAD	8
30	43516	VALVE	1
31	10263	BOLT M6X20	2
32	10263	BOLT	2

CRANKCASE



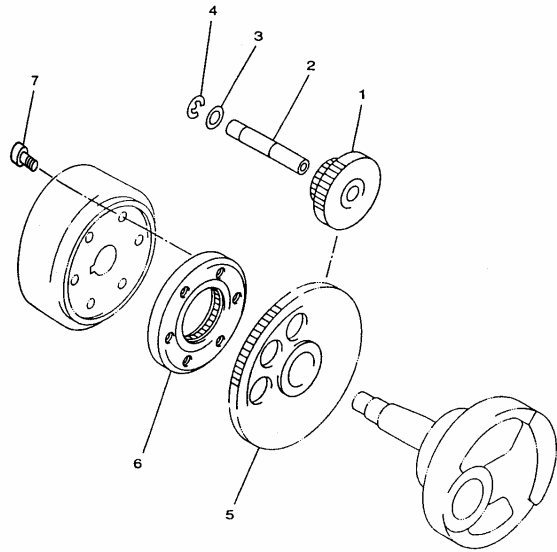
33	25594	EXHAUST PIPE 1	1
34	25595	EXHAUST PIPE 2	1
REF. No.	PART NO.	DESCRIPTION	Q'TY
1	27204	CRANKCASE ASSY	1
2	23502	HOLDER	2
3	23503	COLLAR	2
4	23504	O-RING16X2.5	4
5	23505	WASHER PLATE 16	2
6	10121	CIRCLIP 16	2
7	22422	DOWEL PIN 10X14	2
8	23508	FLANGE BOLT M6X70	4
9	23509	FLANGE BOLT M6X100	5
10	23510	OIL SEAL 30X45X5	1
11	27205	STUD BOLT M8X253.6	4
12	23512	COVER CRANKCASE RIGHT	1
13	10036	SOCKET HEAD BOLT M6X14	2
14	27232	REAR INSIDE COVER	1
15	23515	AIRPROOF COVER	1

LEFT & RIGHT COVER



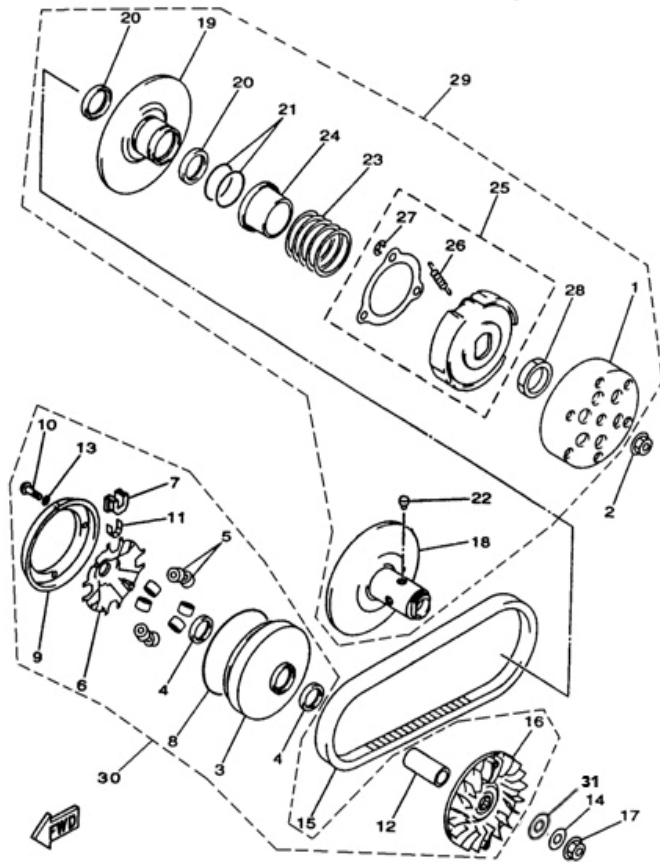
REF. No.	PART NO.	DESCRIPTION	Q'TY
1	27231	COVER CRANKCASE LEFT	1
2	10177	FLANGE BOLT M6X40	6
3	23603	HOSE CLAMP B	1
4	23604	JOINT A	1
5	23605	AIR STRAINER B	1
6	23606	AIR STRAINER A	1
7	23607	JOINT B	1
8	23608	HOSE CLAMP A	1
9	23609	OIL SEAL	1
10	22422	DOWEL PIN 10X14	4
11	23611	OIL PLUG	1
12	10122	O-RING 18X2.65	1
13	23613	OIL PLUG	1
14	10123	O-RING 14X2.65	1
15	23615	FLANGE BOLT M6X40	15
16	23616	CAP COVER	1
	23616A	CAP COVER (USE WITH HIGH-POWER GENE	1
17	23617	CRANKCASE COVER GASKET RIGHT	1
18	27233	FRONT COVER	1
19	10110	BOLT M6X20	2
20	27208	BOLT M6X110	2

STARTER



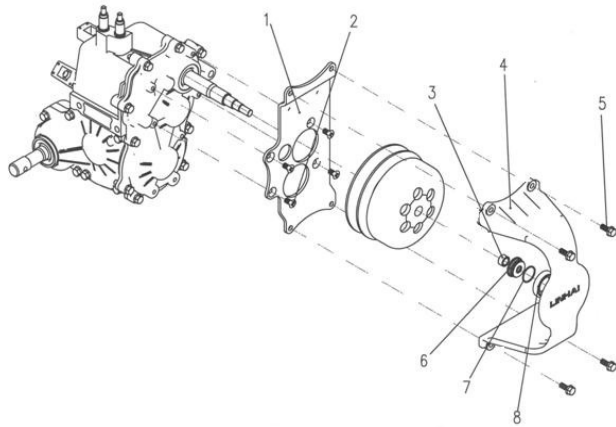
REF. No.	PART NO.	DESCRIPTION	Q'TY
1	23701	GEAR IDLER	1
2	23702	SHAFT	1
3	23703	WASHER 12	1
4	10129	CIRCLIP 12	1
5	23705	GEAR REDUCTION	1
6	23706	STARTER CLUTCH	1
7	10131	SOCKET HEAD BOLT M8X16	3

CLUTCH



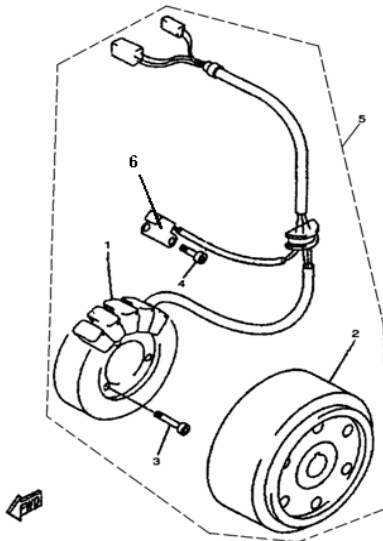
REF. No.	PART NO.	DESCRIPTION	Q'TY
1	27251	CLUTCH HOUSING COMP.	1
2	23802	NUT M14X1	1
3	23803	PRIMARY SLIDING SHEAVE COMP	1
4	23804	OIL SEAL	2
5	23805	WEIGHT	8
6	27246	CAM	1
7	23807	SLIDER	4
8	23808	O-RING 118X2.5	1
9	23809	STOPPER	1
10	10132	PAN HEAD SCREW M4X12	4
11	23811	SPACER 1	4
12	27252	COLLAR	1
13	23813	WASHER PLATE 4	4
14	23814	WASHER PLATE 14	1
15	23815	V-BELT	1
16	27247	SHEAVE PRIMARY FIXED	1
17	23802	NUT M14X1	1
18	23818	SECONDARY FIXED SHEAVE COMP.INCLUDE T	1
19	23819	SECONDARY SLIDING SHEAVE	1
20	23820	OIL SEAL	2
21	23821	O-RING 45X1.8	2
22	23822	PIN GUIDE	4
23	23923	COMPRESSION SPRING	1
24	23924	SEAT SECONDARY SPRING	1
25	27249	CLUTCH CARRIER ASSY	1
26	27250	CLUTCH WEIGHT SPRING 1	3
27	10133	CIRCLIP 8	3
28	23928	NUT M36X1.5	1
29	27248	DRIVEN ASSY COMPLETE	1
30	27254	DRIVE ASSY COMPLETE	1
31	27253	WASHER PLATE 21.5	1

HIGH-POWER CLUTCH STAND ASSY



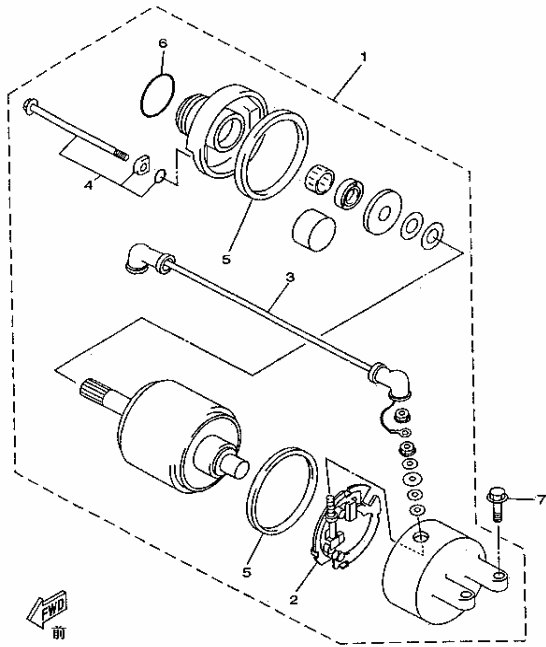
REF. No.	PART NO.	DESCRIPTION	Q'TY
1	23941	BRACKET 1	1
2	10424	SWCREW M8X12	4
3	23942	SMALL SPACER	1
4	23943	BRACKET 2	1
5	10425	BOLT M8X22	4
6	23944	SPACER	1
7	10321	O-RING 26.5X1.8	1
8	10426	BEARING 6906Z	1

GENERATOR



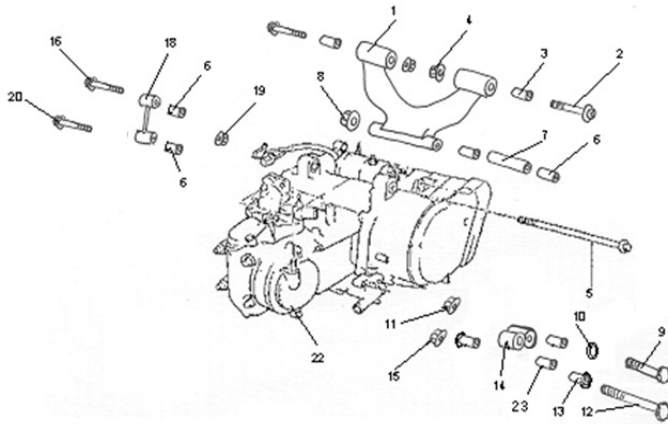
REF. No.	PART NO.	DESCRIPTION	Q'TY
1	24001	STATOR ASSY (THE COLOR OF a IS WHITE)	1
2	27244	ROTOR ASSY (GREEN COLOR)	1
3	10134	SOCKET HEAD BOLT M5X25	3
	10085	SOCKET HEAD BOLT M6X25	3
4	10135	SOCKET HEAD BOLT M5X12	2
5	27243	GENERATOR ASSY	1
6	24006	PICK UP COIL	1

STARTING MOTOR



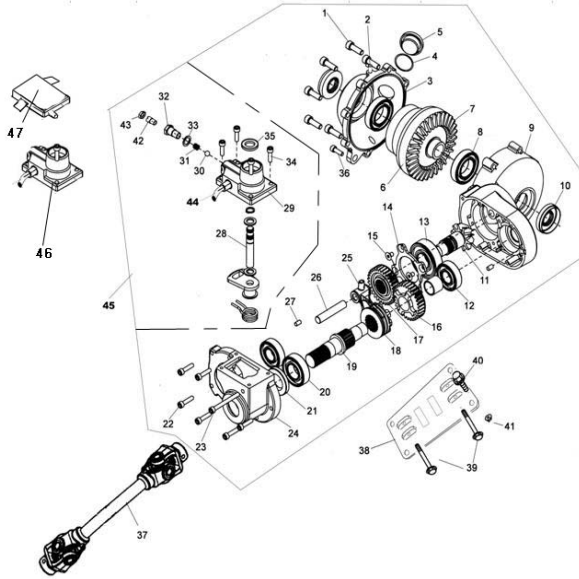
REF. No.	PART NO.	DESCRIPTION	Q'TY
1	24101	STARTING MOTOR ASSY	1
2	24102	BRUSH HOLD ASSY	1
3	24103	CORD,STARTER MOTOR	1
4	24104	BOLT	2
5	24105	GASKET	2
6	24106	O-RING 24.5X3	1
7	24107	FLANGE BOLT M6X25	2

ENGINE



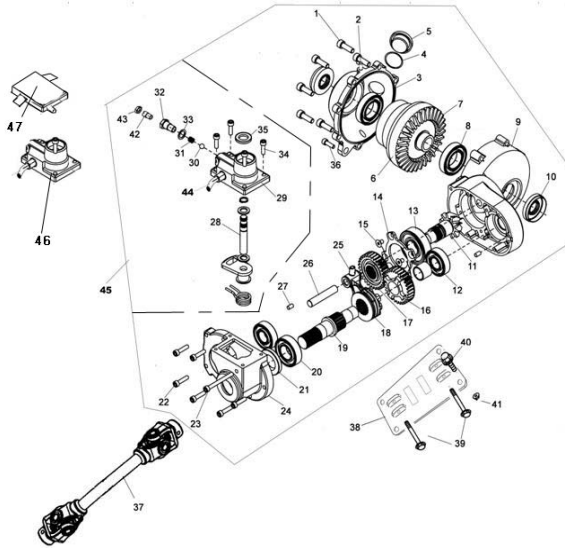
REF. No.	PART NO.	DESCRIPTION	Q'TY
1	27291	FRONT ENGINE MOUNT BRACKET	1
2	24202	ENGINE BRACKET BOLT	2
3	24203	BUSHING ENGING BRACKET1	2
4	10136	NUT M12X1.25	2
5	27294	ENGINE MOUNTING BOLT	1
6	24206	BUSHING ENGING BRACKET2	4
7	27293	SPACER ENGINE BRACKET	1
8	10015	NUT M10X1.25	1
9	10016	BOLT M10X1.25X55	1
10	27295	WASHER	1
11	10015	NUT M10X1.25	1
12	10137	BOLT M8X120	1
13	24213	LEFT SPACER	2
14	24214	STAY ENGINE LEFT	1
15	10079	NUT M8	1
16	10138	BOLT M10X1.25X68	1
18	24218	STAY ENGINE RIGHT	1
19	10015	NUT M10X1.25	1
20	10139	BOLT M8X65	1
22	27218	ENGINE ASSY	1
23	24223	BUSHING	2

FRONT GEAR-BOX (FOR 4WD)



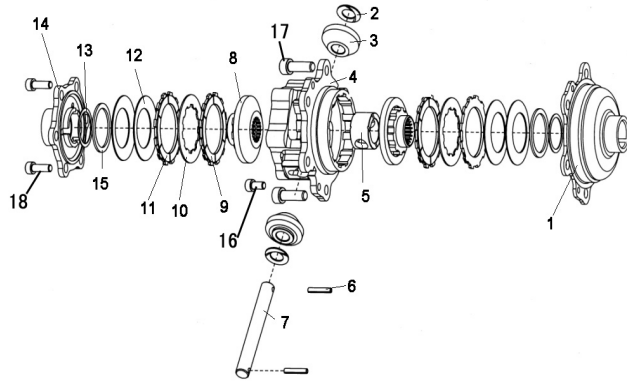
REF. No.	PART NO.	DESCRIPTION	Q'TY
1	10059	BOLT M8X25	7
2	24302	VENT FITTING	1
3	24303	LEFT COVER	1
4	10122	O-RING 18X2.65	1
5	24305	DIFF FILLERPLUG	1
6	24306	FOC BODY	1
7	24307	BEVEL CROWNWHEEL	1
8	10202	BEAR 6006	2
9	24309	DIFFCASE RHS	1
10	24310	SEAL SDD722X48X11	2
11	24311	CONICAL WITH HELICAL GEARING	1
12	10062	BEAR 6204	2
13	10074	BEAR 6305ST	1
14	24314	CASEBEAR RETAINER	1
15	10287	SCREW M6X12	4
16	24316	DIFF GEAR	1
17	24317	DIFF GEAR DRIVEN	1
18	24318	SPLINED DOG	1
19	24319	DIFF INPUTSHAFT A	1
20	10267	BEAR 6205	1
21	24321	SEAL TC25X47X7	1
22	10182	BOLE M6X30	6
23	10160	BOLE M6X70	1
24	24324	REAR COVER	1
25	24325	DIFF SELECTOR FORK	1
26	24326	SELECTOR RAIL	1
27	24327	PIN	1
28	24328	SELECTOR SHAFT	1
29	24429	SELECTOR COVER	1
30	10203	STEEL BALL 8	1
31	24431	SPRING	1
32	24433	INDENT BALL INSERT	1
33	24432	WASHER	1

FRONT GEAR-BOX (FOR 4WD)



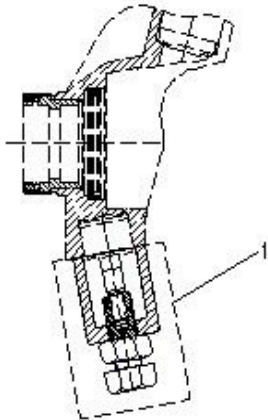
34	10183	BOLT M6X16	4
35	24435	SEAL TC12X28X7	1
REF. No.	PART NO.	DESCRIPTION	Q'TY
36	10168	BOLT M8X16	1
37	24437	FRONT PROPSHAFT ASSY	1
38	24438	FRONT GEAR-BOX BACKSTOP	1
39	10208	BOLT M10X1.25X43	2
40	10163	BOLT M10X1.25X20	4
41	10209	NUT M10	6
42	10355	BOLT M8X1X16	1
43	10356	NUT M8X1	1
44	24444	4WD AND 2WD SWITCH	1
45	24445	FRONT GEAR-BOX	1
46	24446	2WD/4WD SHIFT MOTOR(USED WITH 2WD / 4W	1
47	24447	2WD/4WD SHIFT ELECTRONIC CONTROLER(US	1

FOC BODY (FOR 4WD)



REF. No.	PART NO.	DESCRIPTION	Q'TY
1	24701	LARGER COVER	1
2	24702	WASHER	2
3	24703	PINION	2
4	24704	HOUSING	1
5	24705	CENTER SPACER	1
6	10003	ROLL PIN	2
7	24707	CENTER PIN	2
8	24708	BEVEL GEAR	2
9	24709	CLUTCH PLATE OUTER DOUBLE	2
10	24710	CLITCH PLATE INNER	2
11	24711	CLUTCH PLATE OUTER SINGLE	2
12	24712	DISHED SPRING	4
13	24713	WASHER	2
14	24714	SMALL COVER	1
15	24715	SPING SEAT	2
16	10083	SCREW M6X15	2
17	10131	SCREW M8X16	6
18	24718	BOLT M8X15	6

SPECIAL TOOL KIT



REF. No.	PART NO.	DESCRIPTION	Q'TY
1	24801	TOOL FOR BALL JOINT,STRUT REMOVAL	1

1