

CP048800.TIF GSF1250SK7(E2) K7 2007 / \* COLOR PICTURE GSF1250SK8 \*



CP048807.TIF GSF1250SK7(E2) K7 2007 / \* COLOR PICTURE GSF1250K8 \*



CP048811.TIF GSF1250SK7(E2) K7 2007 / \* COLOR PICTURE GSF1250SAK8 \*



CP048803.TIF GSF1250SK7(E2) K7 2007 / \* COLOR PICTURE GSF1250AK8 \*



PP047526.TIF GSF1250SK7(E2) K7 2007 / \* CATALOG PREFACE \*

**NOTES**

When it becomes necessary to reference parts or sub-assemblies, always use GSF1250SK7(E2) K7 2007 when you have accessed a specific location which guarantees quality and performance. This part of the page refers to the K7 sensor parts for GSF1250SK7(E2) K7 2007.

GSF1250A7, GSF1250V7, GSF1250V7, GSF1250A8, GSF1250V8, GSF1250A8, GSF1250V8, GSF1250A8, GSF1250V8

**INSTRUCTIONS FOR GSF1250SK7 E2 CATALOG**

1. **Dimensions**  
Dimensions of the parts in this catalog are indicated in millimeters.

2. **Abbreviations**  
Abbreviations used in this catalog are as follows:

AV	: As required	VI	: Number of teeth
ASSY	: Assembly	Ø	: Bore size
ENR	: Part number	OS	: Over size
NO.	: Part number	Std	: Standard
Ø	: Diameter of material	T	: Thickness
Ø	: Bore diameter	US	: Thread size
Ø	: Outside diameter	#	: Wall
Ø	: Pitch		
Ø	: Pitch diameter		
Ø	: Pitch diameter		
100000	: Part number H000000		
100000	: Part number H000000		
100000	: Part number H000000		
100000	: Part number H000000		

100000 : Part number H000000  
100000 : Part number H000000  
100000 : Part number H000000  
100000 : Part number H000000

100000 : Part number H000000  
100000 : Part number H000000  
100000 : Part number H000000  
100000 : Part number H000000

100000 : Part number H000000  
100000 : Part number H000000  
100000 : Part number H000000  
100000 : Part number H000000

100000 : Part number H000000  
100000 : Part number H000000  
100000 : Part number H000000  
100000 : Part number H000000

GSF1250SK7 E2

PP047537.TIF GSF1250SK7(E2) K7 2007 / \* CATALOG PREFACE \*

4. UNIT PARTS LIST ASSUMPTIONS

Part names with a dash (-) part as shown in the description column indicates the component of the assembly can be identified individually.

5. UNIT PARTS LIST CODE

All parts listed will be sent to you on all occasions when changes in parts occur, including manufacturing modifications between two parts and old parts.

6. NOTES

7. 1. This equipment is a factory-assembled piece of equipment. It is not intended to be used as a spare part for the various drive systems and common use of them with other models.

2. 5. This equipment is a piece of equipment that may be used for other purposes than those intended by the manufacturer. It is not intended to be used as a spare part for other equipment or for other models.

3. 5. This equipment is a piece of equipment that may be used for other purposes than those intended by the manufacturer. It is not intended to be used as a spare part for other equipment or for other models. When using this equipment, use the following instructions:

7. SPECIAL NOTES

This equipment contains a gas for fire extinguisher for the fire of a gas.

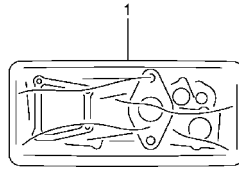
- see code: G11700A//V6 : 1, 2, 3,
- G11700V : 1, 2, 14, 15,
- G11700G : 1, 2, 19,
- G11700A//V6 : 17, 18, 24,
- G11700V : 21, 22, 24, 33,
- G11700G : 21, 22.

7. TABLE NUMBER

- AS 200AF// 191 : 1, 5 G1174100100001.
- AS 200AF// 21 : 1, 5 G117001000001.
- AS 200AF// 191 : JE17 : 1, 300 0000.
- AS 200AF// 191 : JE17 : 1, 300 0000.
- AS 200X01? : 1, 5 G11700000000.
- AS 200X01? : 1, 5 G11700000000.
- AS 200X01? : 1, 5 G11700000000.
- AS 200X01? : 1, 5 G11700000000.
- AS 200X01? : 1, 5 G11700000000.
- AS 200X01? : 1, 5 G11700000000.
- AS 200AF// 191 : 1, 5 G1174100100001.
- AS 200AF// 21 : 1, 5 G117001000001.
- AS 200AF// 191 : JE17 : 1, 300 0000.
- AS 200AF// 191 : JE17 : 1, 300 0000.
- AS 200X01? : 1, 5 G11700000000.
- AS 200X01? : 1, 5 G11700000000.
- AS 200X01? : 1, 5 G11700000000.
- AS 200X01? : 1, 5 G11700000000.

DP040703.TIF GSF1250SK7(E2) K7 2007 / GASKET SET

**FIG.1**



GSF1250AK7 E02\_001  
GASKET SET-C

## Part List

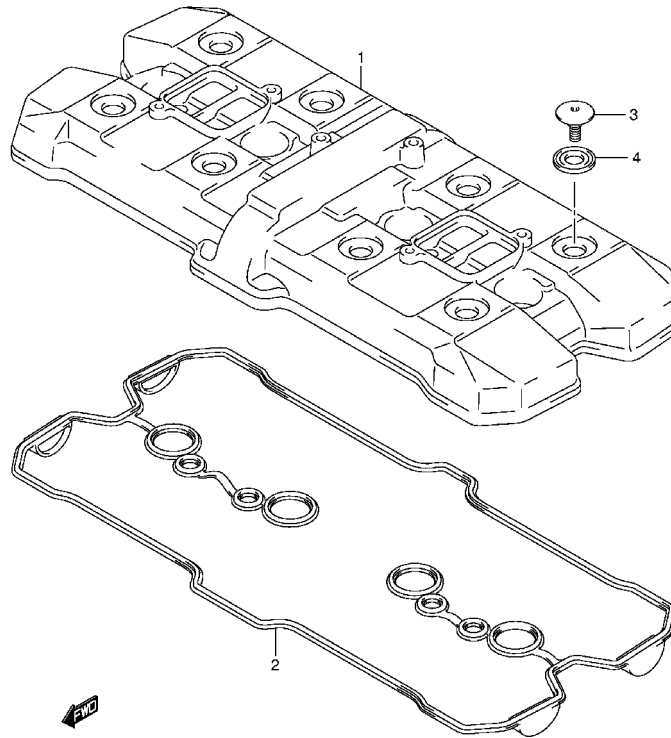
DP040703.TIF GSF1250SK7(E2) K7 2007 / GASKET SET

REF NO	PART NO	DESCRIPTION	QTY	KIT	NOTES
1	11400-18810-000	GASKET SET	1		OPT
2	11141-18H00-000	GASKET, CYLINDER HEAD	1	*	NOT SHOWN
3	11173-18H00-000	GASKET, CYLINDER HEAD COVER	1	*	NOT SHOWN
4	11241-18H00-000	GASKET, CYLINDER	1	*	NOT SHOWN
5	11482-18H00-000	GASKET, CLUTCH COVER	1	*	NOT SHOWN
6	11483-18H00-000	GASKET, MAGNETO COVER	1	*	NOT SHOWN
7	11491-18H00-000	GASKET, CRANKSHAFT COVER	1	*	NOT SHOWN
8	12837-27G00-000	GASKET, TENSIONER ADJUSTER	1	*	NOT SHOWN
9	14181-18C00-000	GASKET, EXHAUST PIPE	4	*	NOT SHOWN



DP042635.TIF GSF1250SK7(E2) K7 2007 / CYLINDER HEAD COVER

**FIG.2**



GSF1250AK7 E02\_002  
CYLINDER HEAD COVER-C

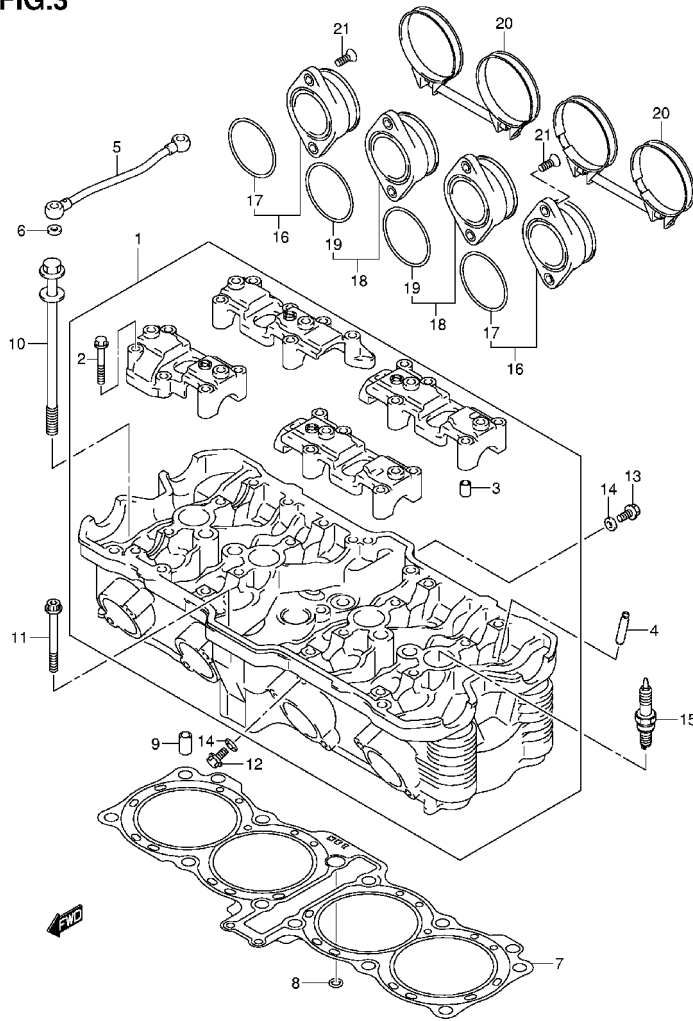
## Part List

DP042635.TIF GSF1250SK7(E2) K7 2007 / CYLINDER HEAD COVER

REF NO	PART NO	DESCRIPTION	QTY	KIT	NOTES
1	11170-18H00-000	COVER, CYLINDER HEAD	1		
2	11173-18H00-000	GASKET, HEAD COVER	1		
3	09106-07009-000	BOLT (7X17.5)	8		
4	11191-27E00-000	WASHER	8		

DP043131.TIF GSF1250SK7(E2) K7 2007 / CYLINDER HEAD

FIG.3



GSF1250AK7 E02\_003  
CYLINDER HEAD-C

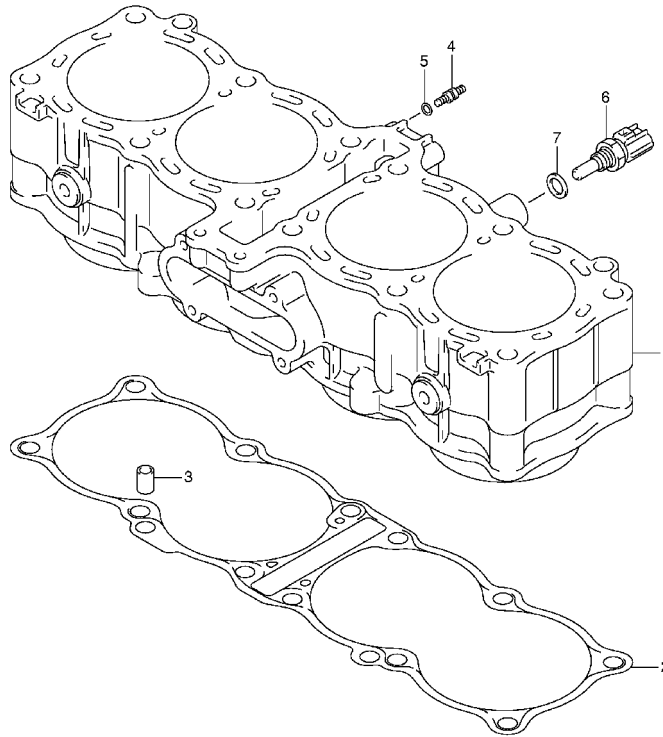
## Part List

DP043131.TIF GSF1250SK7(E2) K7 2007 / CYLINDER HEAD

REF NO	PART NO	DESCRIPTION	QTY	KIT	NOTES
1	11100-18H00-000	HEAD ASSY, CYLINDER	1		
2	09103-06293-000	BOLT	21	*	
3	09206-08001-000	PIN	8	*	
4	11115-17E70-000	GUIDE, VALVE (OS 0.3)	16		OPT
5	11131-18H00-000	PIPE, OIL	1		
6	08322-0106B-000	WASHER	2		
7	11141-18H00-000	GASKET, CYLINDER HEAD	1		
8	11143-32F00-000	O RING	1		
9	04211-11169-000	PIN	2		
10	11117-18H00-000	BOLT	12		
11	07120-0665B-000	BOLT	2		
12	01550-0612A-000	BOLT, OIL GALLERY	1		
13	07120-0612B-000	BOLT, OIL GALLERY	1		
14	09168-06023-000	GASKET	2		
15	09482-00516-000	SPARK PLUG (NGK,CR7E)	4		
15	09482-00515-000	SPARK PLUG (DENSO,U22ESR-N)	4		
15	09482-00528-000	SPARK PLUG (NGK,CR6E)	4		OPT
15	09482-00456-000	SPARK PLUG (NGK,CR8E)	4		OPT
15	09482-00529-000	SPARK PLUG (DENSO,U20ESR-N)	4		OPT
15	09482-00457-000	SPARK PLUG (DENSO,U24ESR-N)	4		OPT
16	13101-18H00-000	PIPE, INTAKE NO.1	2		
17	09280-42003-000	O RING (D:2.40,ID:41.7)	2	*	
18	13102-18H00-000	PIPE, INTAKE NO.2	2		
19	09280-42003-000	O RING (D:2.40,ID:41.7)	2	*	
20	13170-18H00-000	CLAMP, INTAKE PIPE	2		
21	02122-0616B-000	SCREW	8		

DP041962.TIF GSF1250SK7(E2) K7 2007 / CYLINDER

**FIG.4**



GSF1250AK7 E02\_004  
CYLINDER-C

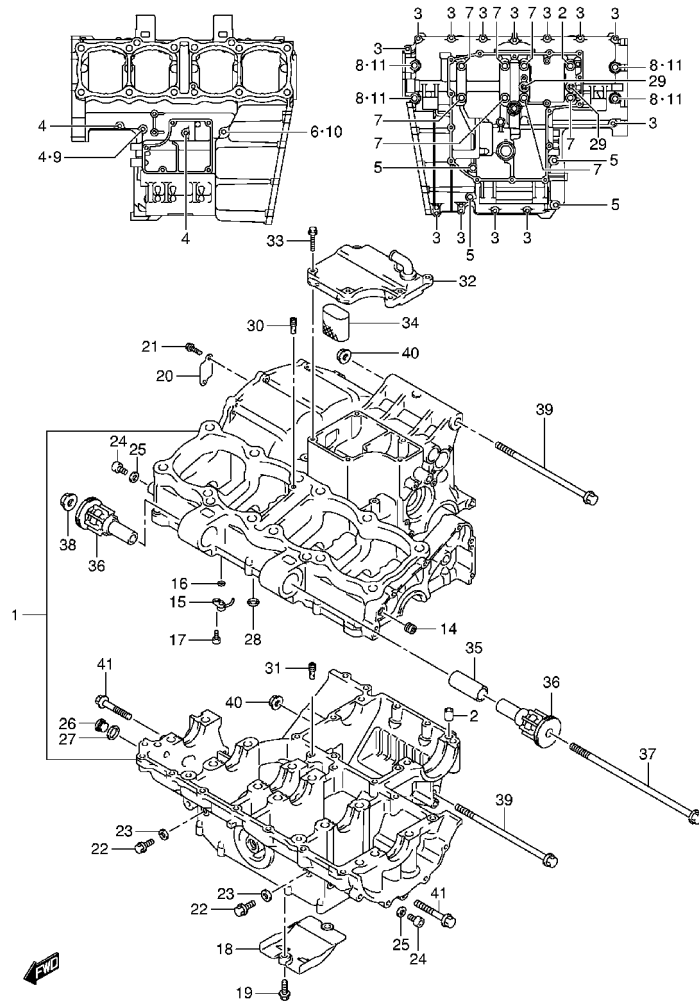
## Part List

DP041962.TIF GSF1250SK7(E2) K7 2007 / CYLINDER

REF NO	PART NO	DESCRIPTION	QTY	KIT	NOTES
1	11210-18H00-0F0	CYLINDER	1		
2	11241-18H00-000	GASKET, CYLINDER	1		
3	04211-11169-000	PIN	2		
4	09493-80005-000	JET, OIL GALLERY	1		
5	09280-04004-000	O RING	1		
6	13650-49X00-000	SENSOR, WATER TEMP	1		
7	09168-12017-000	GASKET	1		

DP043066.TIF GSF1250SK7(E2) K7 2007 / CRANKCASE

FIG.5



GSF1250AK7 E02\_005  
CRANKCASE-C

## Part List

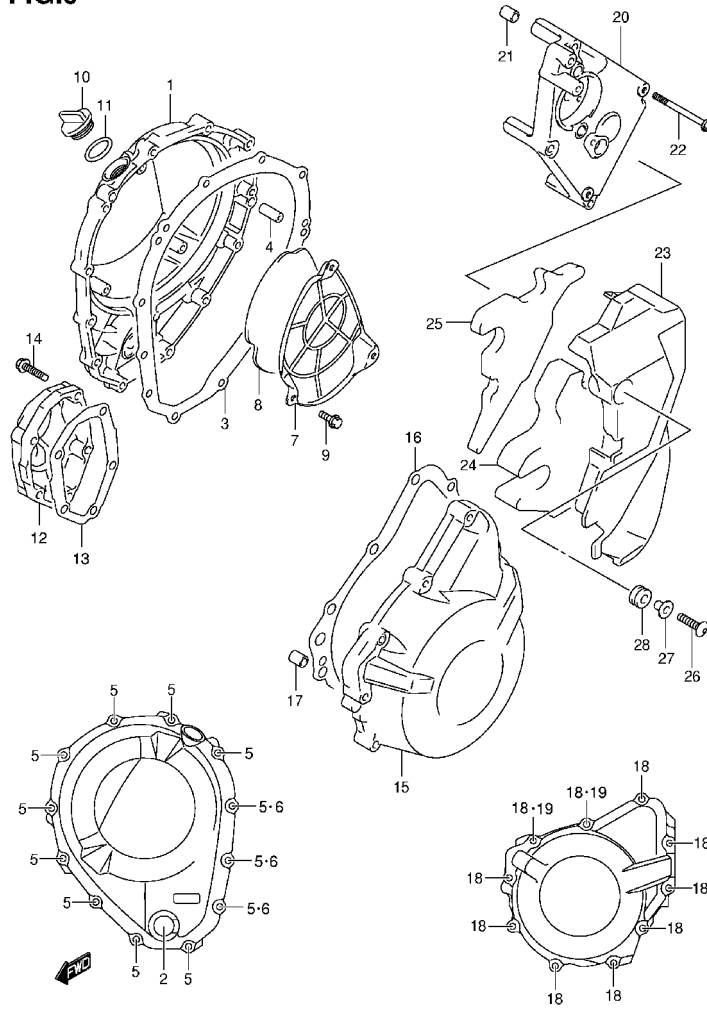
DP043066.TIF GSF1250SK7(E2) K7 2007 / CRANKCASE

REF NO	PART NO	DESCRIPTION	QTY	KIT	NOTES
1	11300-18811-000	CRANKCASE SET	1		
2	11319-33E50-000	PIN	3	*	
3	01547-0640A-000	BOLT	13	*	
4	01547-0655A-000	BOLT	3	*	
5	01550-0870A-000	BOLT	4	*	
6	01550-0890A-000	BOLT	1	*	
7	09103-09005-000	BOLT (9X135)	8	*	
8	09103-09008-000	BOLT (9X95)	4	*	
9	09168-06023-000	GASKET (5.8X13X1.2)	1	*	
10	09168-08016-000	GASKET (8.2X14X1)	1	*	
11	09168-10031-000	GASKET (10.2X20X2.3)	4	*	
12	12228-17E00-0D0	BEARING, THRUST RH (GREEN)	1	*	SEE ILLUSTRATION ON FIG.8
13	12228-17E00-0A0	BEARING, THRUST LH (RED)	1	*	SEE ILLUSTRATION ON FIG.8
13	12228-17E00-0B0	BEARING, THRUST LH (BLACK)	1	*	
13	12228-17E00-0C0	BEARING, THRUST LH (BLUE)	1	*	
13	12228-17E00-0D0	BEARING, THRUST LH (GREEN)	1	*	
13	12228-17E00-0E0	BEARING, THRUST LH (YELLOW)	1	*	
13	12228-17E00-0F0	BEARING, THRUST LH (WHITE)	1	*	
14	11329-02F00-000	JET, OIL GALLERY	1		
15	11390-18H00-000	JET, PISTON COOLING	4		
16	09280-04004-000	O RING (D: 1.2, ID: 4.0)	4		
17	09106-06075-000	BOLT, PISTON COOLING	4		
18	11323-18H00-000	SEPARATOR, OIL	1		
19	01550-0620A-000	BOLT	2		
20	11317-18H00-000	PLATE, OIL SEPARATOR	1		
21	01547-0612A-000	BOLT	2		
22	01550-0612A-000	PLUG, OIL GALLERY	2		
23	09168-06018-000	GASKET	2		
24	07130-0812A-000	PLUG, OIL GALLERY	2		
25	09168-08016-000	GASKET	2		
26	09248-16012-000	PLUG, OIL GALLERY	1		
27	09168-16002-000	GASKET, OIL GALLERY	1		
28	09280-08012-000	O RING (D: 1.9, ID: 7.8)	2		
29	09280-12009-000	O RING (D: 1.9, ID: 12.6)	2		
30	09493-28012-000	JET, HEAD	1		
31	09493-36006-000	JET, T/M	1		
32	11330-18H00-000	COVER, BREATHER	1		
33	09103-06213-000	BOLT	5		
34	11318-18H00-000	SEPARATOR, BREATHER	1		
35	11611-48G00-000	SPACER	1		
36	11652-10G30-000	BUSH	2		
37	09103-10041-000	BOLT (10X215)	1		
38	08319-3110A-000	NUT	1		
39	09103-12031-000	BOLT (12X155)	2		
40	08319-3112A-000	NUT	2		
41	01550-1050A-000	BOLT	2		



DP042838.TIF GSF1250SK7(E2) K7 2007 / CRANKCASE COVER

FIG.6



GSF1250AK7 E02\_006  
CRANKCASE COVER-C

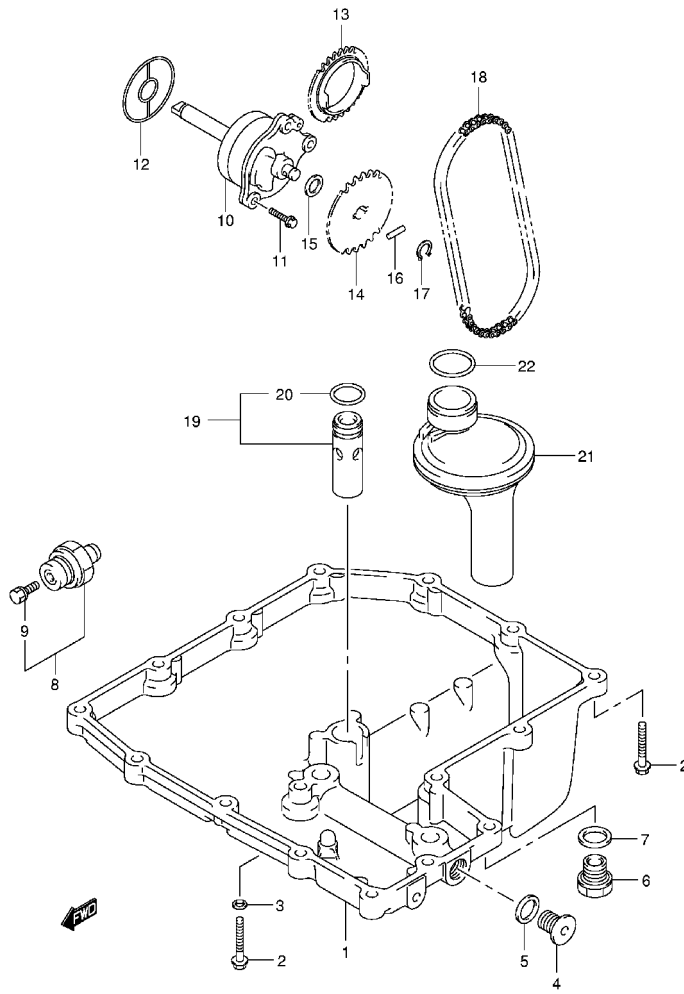
## Part List

DP042838.TIF GSF1250SK7(E2) K7 2007 / CRANKCASE COVER

REF NO	PART NO	DESCRIPTION	QTY	KIT	NOTES
1	11340-18H00-000	COVER, CLUTCH	1		
2	11971-33210-000	LENS, OIL LEVEL CHECK	1	*	
3	11482-18H00-000	GASKET	1		
4	04211-09189-000	PIN	2		
5	09103-06213-000	BOLT (6X30)	12		
6	09168-06023-000	GASKET (5.8X13X1.2)	3		
7	11342-18H00-000	PLATE, CLUTCH COVER	1		
8	11343-18H00-000	DAMPER	1		
9	01550-0612A-000	BOLT	3		
10	11971-25D00-000	PLUG, OIL FILLER	1		
11	09280-17003-000	O RING (D:3.1,ID:16.8)	1		
12	11381-18H00-000	COVER, CRANKSHAFT RH	1		
13	11491-18H00-000	GASKET	1		
14	09103-06213-000	BOLT	5		
15	11351-18H00-000	COVER, MAGNETO	1		
16	11483-18H00-000	GASKET	1		
17	04211-09149-000	PIN	2		
18	09103-06213-000	BOLT	10		
19	09168-06023-000	GASKET (5.8X13X1.2)	2		
20	11371-18H00-000	COVER, ENGINE SPROCKET INNER	1		
21	04211-09149-000	PIN	2		
22	01547-0660A-000	BOLT	4		
23	11361-18H00-000	COVER, ENGINE SPROCKET OUTER	1		
24	11362-18H00-000	CUSHION, NO.1	1		
25	11363-18H00-000	CUSHION, NO.2	1		
26	09139-06056-000	BOLT	3		
27	09169-06062-000	SPACER	3		
28	09320-09016-000	CUSHION	3		

DP042010.TIF GSF1250SK7(E2) K7 2007 / OIL PAN - OIL PUMP

FIG.7



GSF1250AK7 E02\_007  
OIL PAN/OIL PUMP-C

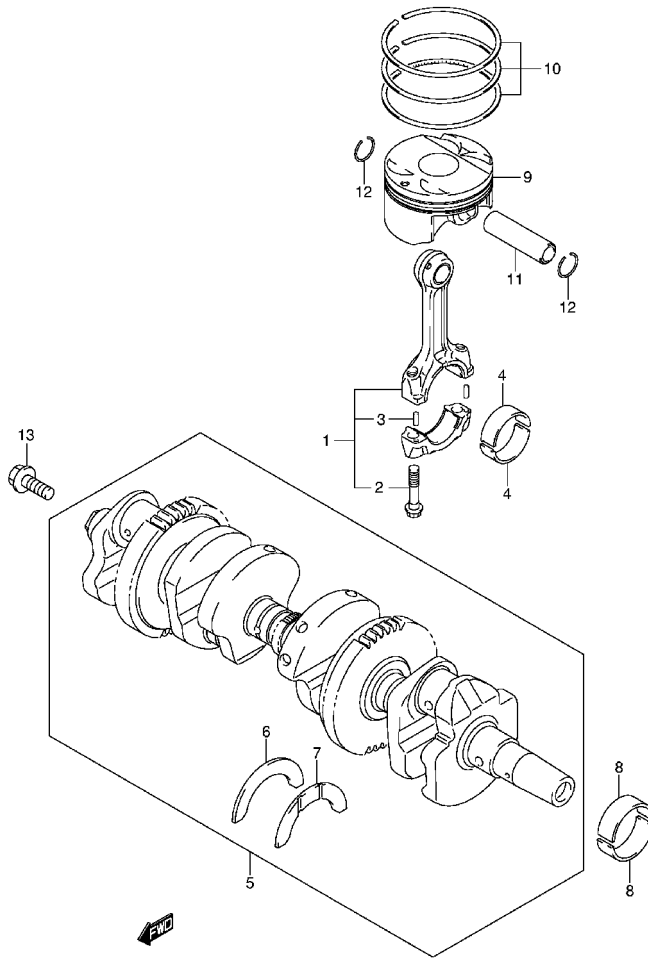
## Part List

DP042010.TIF GSF1250SK7(E2) K7 2007 / OIL PAN - OIL PUMP

REF NO	PART NO	DESCRIPTION	QTY	KIT	NOTES
1	11511-18H00-000	PAN, OIL	1		
2	01547-0625A-000	BOLT	16		
3	09168-06023-000	GASKET (5.8X13X1.2)	1		
4	09248-12004-000	PLUG, OIL GALLERY	1		
5	09168-12002-000	GASKET (12.1X16.2X1.2)	1		
6	09247-14036-000	PLUG, OIL DRAIN	1		
7	09168-14002-000	GASKET (13.8X18.8X0.4)	1		
8	37820-33D10-000	SWITCH, OIL PRESSURE	1		
9	37822-33D00-000	BOLT	1	*	
10	16400-18H00-000	PUMP ASSY, OIL	1		
11	01547-0620A-000	BOLT	3		
12	16491-33E00-000	O RING	1		
13	16321-01H00-000	SPROCKET, DRIVE	1		
14	16331-18H00-000	SPROCKET, DRIVEN	1		
15	09181-10158-000	WASHER	1		
16	09261-04009-000	PIN	1		
17	08331-31109-000	CIRCLIP	1		
18	16310-18H00-000	CHAIN, OIL PUMP DRIVE	1		
19	16440-24F00-000	VALVE ASSY, OIL RELIEF	1		
20	09280-13004-000	O RING (D: 1.9, ID: 13.0)	1	*	
21	16520-18H00-000	STRAINER, ENGINE OIL	1		
22	09280-25004-000	O RING	1		

DP041815.TIF GSF1250SK7(E2) K7 2007 / CRANKSHAFT

FIG.8



GSF1250AK7 E02\_008  
CRANKSHAFT-C

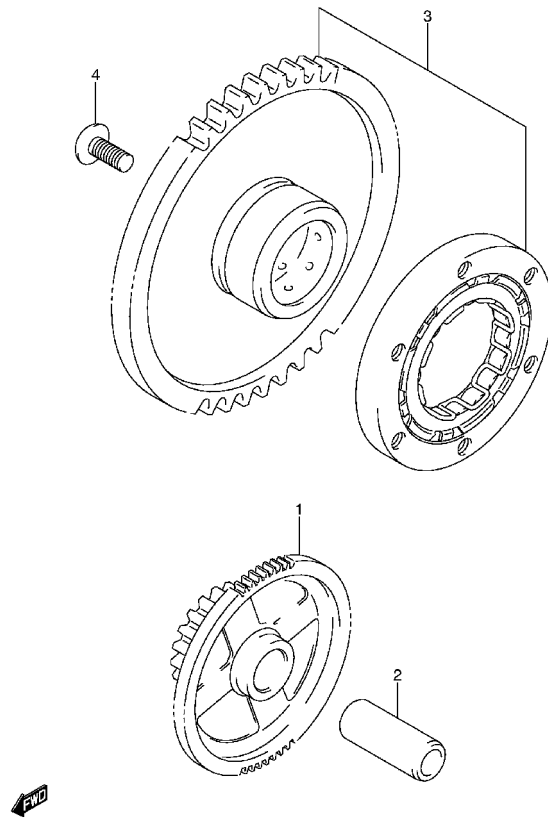
## Part List

DP041815.TIF GSF1250SK7(E2) K7 2007 / CRANKSHAFT

REF NO	PART NO	DESCRIPTION	QTY	KIT	NOTES
1	12160-18H00-000	ROD ASSY, CONNECTING	4		
2	12163-24F10-000	BOLT	8	*	
3	04221-04089-000	PIN	8	*	
4	12164-46E01-0A0	BEARING, CRANK PIN (GREEN)	8		
4	12164-46E01-0B0	BEARING, CRANK PIN (BLACK)	8		
4	12164-46E01-0C0	BEARING, CRANK PIN (BROWN)	8		
4	12164-46E01-0D0	BEARING, CRANK PIN (YELLOW)	8		
5	12000-18820-000	CRANKSHAFT SET	1		
6	12228-17E00-0D0	BEARING, THRUST RH (GREEN)	1	*	
7	12228-17E00-0A0	BEARING, THRUST LH (RED)	1	*	
7	12228-17E00-0B0	BEARING, THRUST LH (BLACK)	1	*	
7	12228-17E00-0C0	BEARING, THRUST LH (BLUE)	1	*	
7	12228-17E00-0D0	BEARING, THRUST LH (GREEN)	1	*	
7	12228-17E00-0E0	BEARING, THRUST LH (YELLOW)	1	*	
7	12228-17E00-0F0	BEARING, THRUST LH (WHITE)	1	*	
8	12229-34E00-0A0	BEARING, CRANKSHAFT (GREEN)	12		
8	12229-34E00-0B0	BEARING, CRANKSHAFT (BLACK)	12		
8	12229-34E00-0C0	BEARING, CRANKSHAFT (BROWN)	12		
8	12229-34E00-0D0	BEARING, CRANKSHAFT (YELLOW)	12		
9	12111-18H00-0F0	PISTON	4		
10	12140-18H00-000	RING SET, PISTON	4		
11	12151-07D00-000	PIN, PISTON	4		
12	09381-18003-000	CIRCLIP	8		
13	01550-1016A-000	BOLT	1		

DP041171.TIF GSF1250SK7(E2) K7 2007 / STARTER CLUTCH

**FIG.9**



GSF1250AK7 E02\_009  
STARTER CLUTCH-C

## Part List

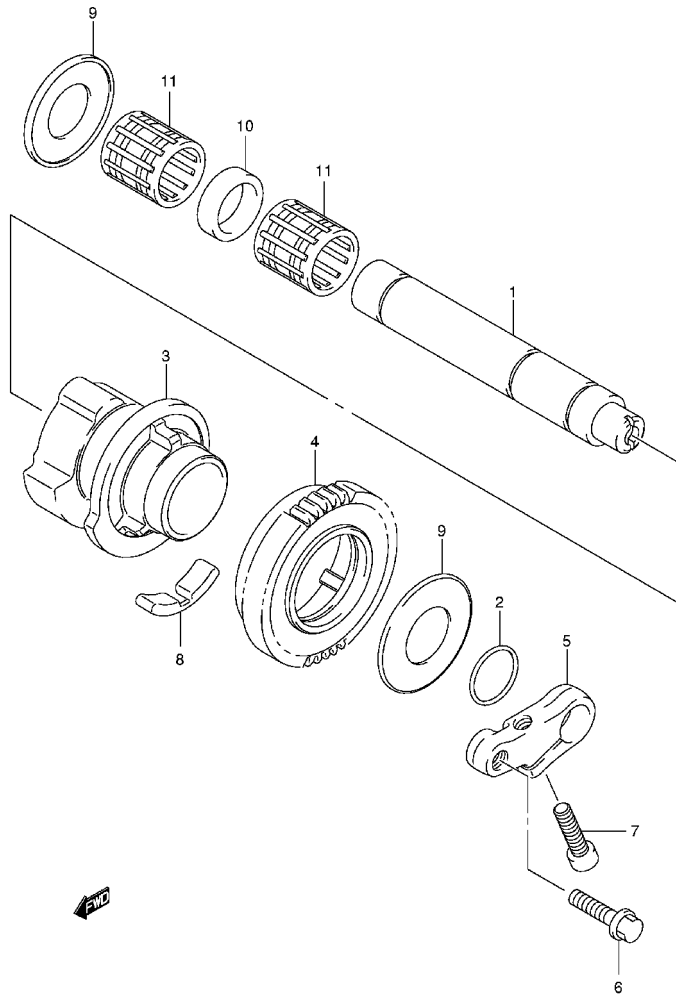
DP041171.TIF GSF1250SK7(E2) K7 2007 / STARTER CLUTCH

REF NO	PART NO	DESCRIPTION	QTY	KIT	NOTES
1	12611-06B00-000	GEAR, STARTER IDLE	1		
2	09206-11014-000	PIN	1		
3	12600-18810-000	CLUTCH SET, STARTER	1		
4	09139-08023-000	BOLT	6		



DP041803.TIF GSF1250SK7(E2) K7 2007 / CRANK BALANCER

FIG.10



GSF1250AK7 E02\_010  
CRANK BALANCER-C

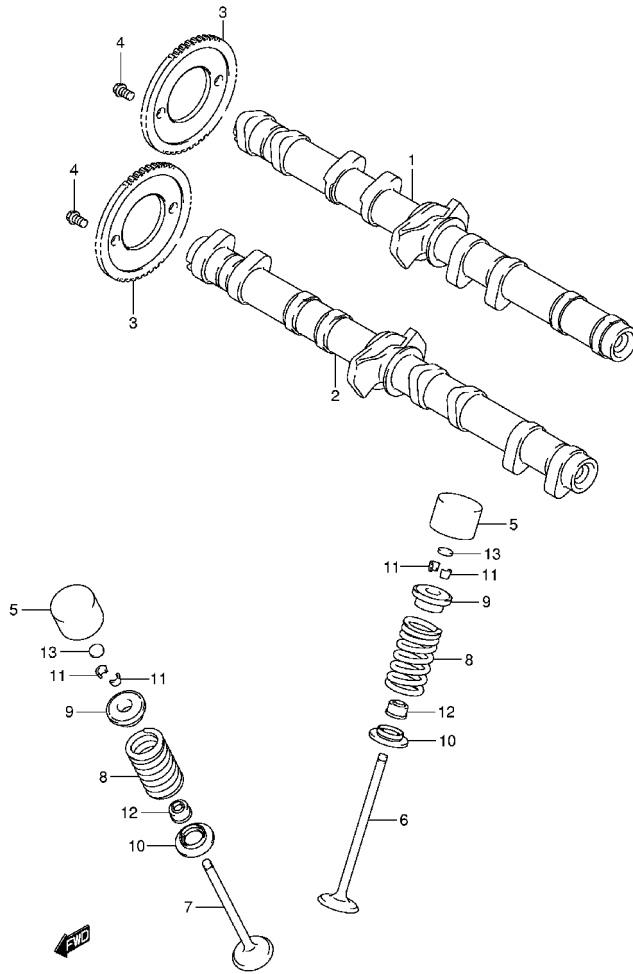
## Part List

DP041803.TIF GSF1250SK7(E2) K7 2007 / CRANK BALANCER

REF NO	PART NO	DESCRIPTION	QTY	KIT	NOTES
1	12650-18H00-0F0	SHAFT, CRANK BALANCER	1		
2	09280-17007-000	O RING	1		
3	12654-18H00-0F0	BALANCER	1		
4	12666-18H00-000	GEAR, CRANK BALANCER	1		
5	12681-26D01-000	ARM, BALANCER SHAFT	1		
6	09103-06286-000	BOLT	1		
7	07130-0620B-000	BOLT	1		
8	12686-18H00-000	DAMPER, CRANK BALANCER	3		
9	09169-21001-000	WASHER	2		
10	09180-19014-000	SPACER	1		
11	09263-19016-000	BEARING	2		

DP041354.TIF GSF1250SK7(E2) K7 2007 / CAM SHAFT - VALVE

FIG.11



GSF1250AK7 E02\_011  
CAM SHAFT/VALVE-C

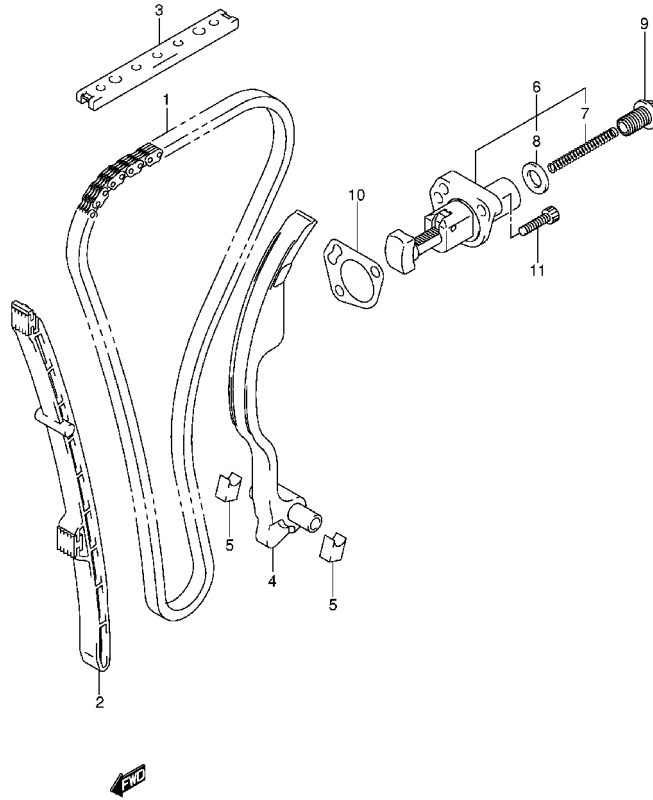
## Part List

DP041354.TIF GSF1250SK7(E2) K7 2007 / CAM SHAFT - VALVE

REF NO	PART NO	DESCRIPTION	QTY	KIT	NOTES
1	12710-18H00-000	CAMSHAFT, INTAKE	1		
2	12720-18H00-000	CAMSHAFT, EXHAUST	1		
3	12741-18H00-000	SPROCKET	2		
4	09103-07001-000	BOLT	4		
5	12891-18H00-000	TAPPET	16		
6	12911-18H00-000	VALVE, INTAKE	8		
7	12912-46E00-000	VALVE, EXHAUST	8		
8	12921-18H00-000	SPRING, VALVE	16		
9	12931-17E01-000	RETAINER, VALVE SPRING	16		
10	12933-17E00-000	SEAT, VALVE SPRING	16		
11	12932-32C00-000	COTTER, VALVE	32		
12	09289-04002-000	OIL SEAL	16		
13	12892-05C00-120	SHIM, TAPPET (T:1.20)	16		
13	12892-05C00-125	SHIM, TAPPET (T:1.25)	16		
13	12892-05C00-130	SHIM, TAPPET (T:1.30)	16		
13	12892-05C00-135	SHIM, TAPPET (T:1.35)	16		
13	12892-05C00-140	SHIM, TAPPET (T:1.40)	16		
13	12892-05C00-145	SHIM, TAPPET (T:1.45)	16		
13	12892-05C00-150	SHIM, TAPPET (T:1.50)	16		
13	12892-05C00-155	SHIM, TAPPET (T:1.55)	16		
13	12892-05C00-160	SHIM, TAPPET (T:1.60)	16		
13	12892-05C00-165	SHIM, TAPPET (T:1.65)	16		
13	12892-05C00-170	SHIM, TAPPET (T:1.70)	16		
13	12892-05C00-175	SHIM, TAPPET (T:1.75)	16		
13	12892-05C00-180	SHIM, TAPPET (T:1.80)	16		
13	12892-05C00-185	SHIM, TAPPET (T:1.85)	16		
13	12892-05C00-190	SHIM, TAPPET (T:1.90)	16		
13	12892-05C00-195	SHIM, TAPPET (T:1.95)	16		
13	12892-05C00-200	SHIM, TAPPET (T:2.00)	16		
13	12892-05C00-205	SHIM, TAPPET (T:2.05)	16		
13	12892-05C00-210	SHIM, TAPPET (T:2.10)	16		
13	12892-05C00-215	SHIM, TAPPET (T:2.15)	16		
13	12892-05C00-220	SHIM, TAPPET (T:2.20)	16		
14	12800-05830-000	SHIM SET, TAPPET T:1.20, 1.25...2.95, 3.00 (5PCS.EACH) & NO.15	1		OPT NOT SHOWN
15	99000-69491-000	CASE, TAPPET SHIM	1	*	OPT NOT SHOWN

DP041072.TIF GSF1250SK7(E2) K7 2007 / CAM CHAIN

**FIG.12**



GSF1250AK7 E02\_012  
CAM CHAIN-C

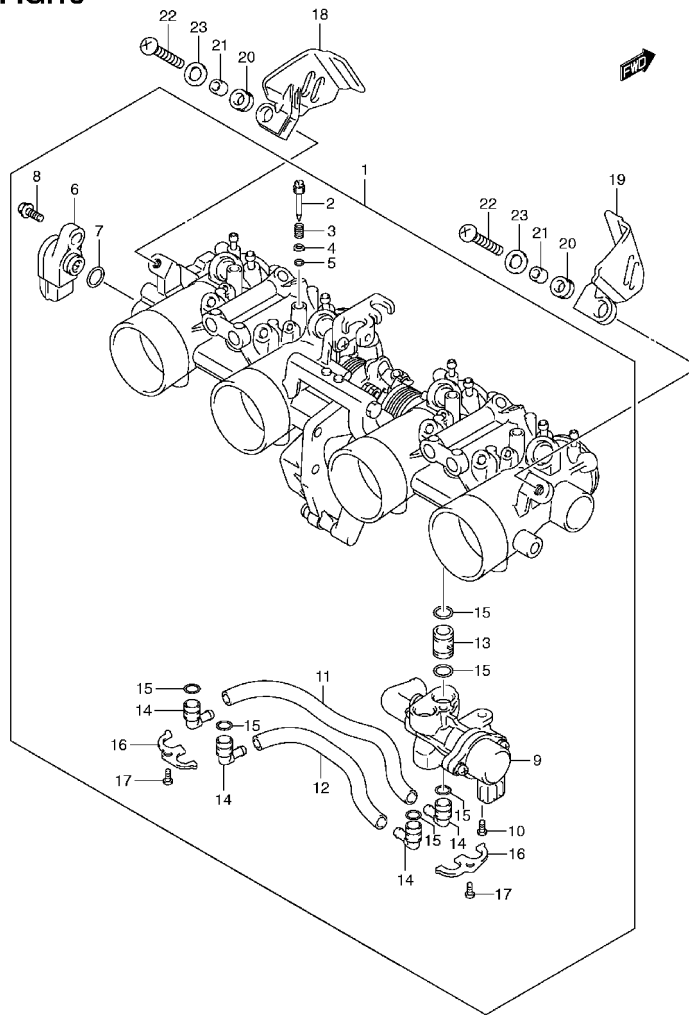
## Part List

DP041072.TIF GSF1250SK7(E2) K7 2007 / CAM CHAIN

REF NO	PART NO	DESCRIPTION	QTY	KIT	NOTES
1	12760-18H00-000	CHAIN, CAM SHAFT DRIVE	1		
2	12771-18H00-000	GUIDE, CAM CHAIN NO.1	1		
3	12782-18H00-000	GUIDE, CAM CHAIN NO.2	1		
4	12810-18H00-000	TENSIONER, CAM CHAIN	1		
5	12814-34200-000	CUSHION	2		
6	12834-48G00-000	ADJUSTER ASSY, TENSIONER	1		
7	12831-35F00-000	SPRING	1	*	
8	12837-24F10-000	GASKET	1	*	
9	12833-17G00-000	PLUG	1		
10	12837-27G00-000	GASKET, ADJUSTER	1		
11	07130-0625B-000	BOLT	2		

DP048236.TIF GSF1250SK7(E2) K7 2007 / THROTTLE BODY

FIG.13



GSF1250AK7 E02\_013  
THROTTLE BODY-C

## Part List

DP048236.TIF GSF1250SK7(E2) K7 2007 / THROTTLE BODY

REF NO	PART NO	DESCRIPTION	QTY	KIT	NOTES
1	13405-18H00-000	BODY ASSY, THROTTLE	1		
2	13269-33E00-000	SCREW	4	*	
3	13268-48700-000	SPRING	4	*	
4	13606-47A00-000	WASHER	4	*	
5	13295-29900-000	O RING	4	*	
6	13580-18H00-000	SENSOR ASSY	1	*	
7	13575-29G00-000	O RING	1	*	
8	13605-02F00-000	SCREW	1	*	
9	18117-18H00-000	ACTUATOR, ISC	1	*	
10	13605-18H00-000	SCREW	2	*	
11	13698-18H00-000	HOSE	1	*	
12	13698-18H10-000	HOSE	1	*	
13	13682-18H00-000	PIPE	2	*	
14	13685-18H00-000	NIPPLE	4	*	
15	13679-18H00-000	O RING	6	*	
16	13691-18H00-000	PLATE	2	*	
17	02112-0408A-000	SCREW	2	*	
18	13431-18H00-000	COVER, INJECTOR	1		
19	13432-18H00-000	COVER, INJECTOR	1		
20	13663-42F10-000	HOLDER	2		
21	13485-42F10-000	RING	2		
22	13602-18H00-000	SCREW	2		
23	13606-42F10-000	WASHER	2		





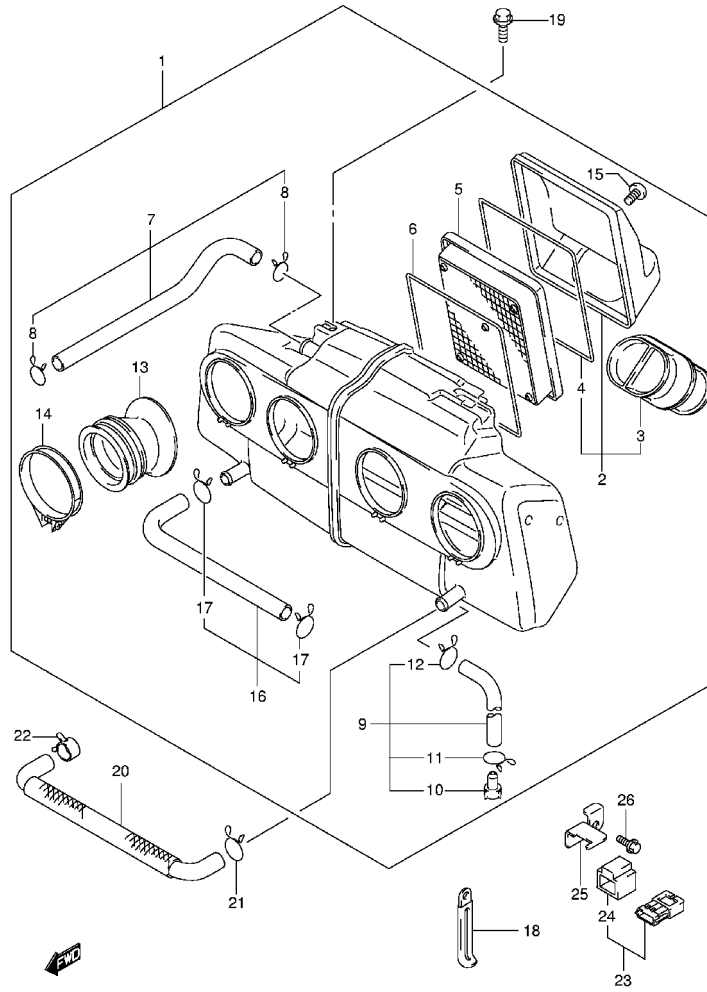
## Part List

DP047946.TIF GSF1250SK7(E2) K7 2007 / THROTTLE BODY HOSE/JOINT

REF NO	PART NO	DESCRIPTION	QTY	KIT	NOTES
1	15731-18H00-000	DELIVERY PIPE ASSY	2		
2	13601-29G00-000	SCREW	4		
3	13602-29G00-000	PACKING	4		
4	15710-18H00-000	INJECTOR ASSY	4		
5	15717-16G00-000	O RING	4	*	
6	15722-29G00-000	SEAL	4		
7	13683-07F10-000	HOSE	1		
8	13683-18H00-000	HOSE	2		
9	13471-02FA0-000	NIPPLE	2		
10	13683-33E40-000	HOSE	2		
11	13683-07F00-000	HOSE	1		
12	13683-18H10-000	HOSE	1		
13	13471-18H00-000	NIPPLE	1		
14	13473-18H00-000	NIPPLE	1		
15	15721-29G00-000	O RING	2		

DP042793.TIF GSF1250SK7(E2) K7 2007 / AIR CLEANER

FIG.15



GSF1250AK7 E02\_015  
AIR CLEANER-C

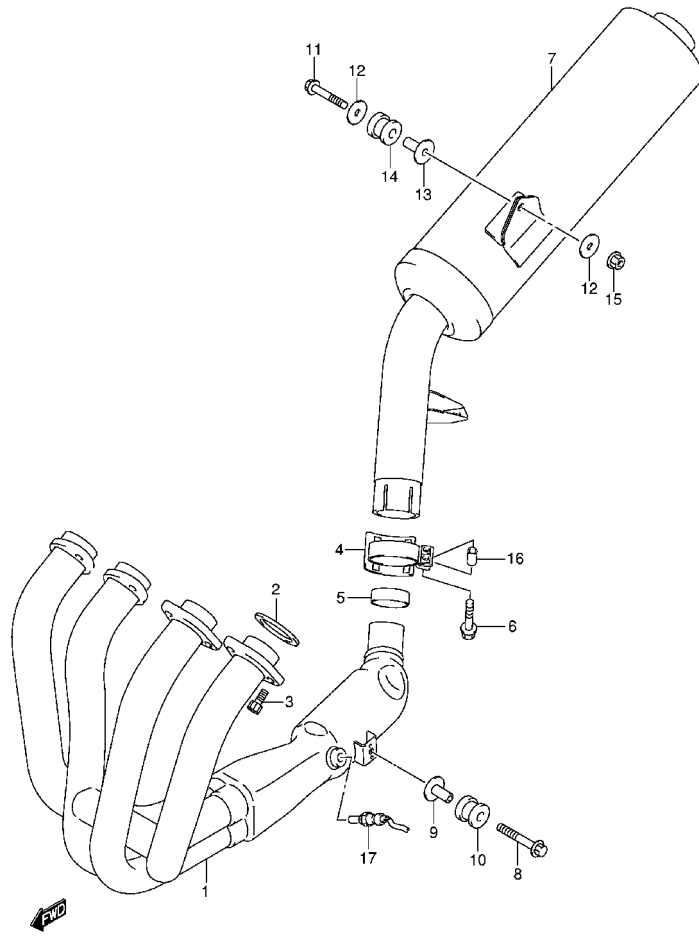
## Part List

DP042793.TIF GSF1250SK7(E2) K7 2007 / AIR CLEANER

REF NO	PART NO	DESCRIPTION	QTY	KIT	NOTES
1	13700-18H00-000	CLEANER ASSY, AIR	1		
2	13740-18H00-000	CAP, AIR CLEANER	1	*	
3	13891-18H00-000	TUBE, INLET	1	**	
4	13746-18H00-000	GASKET, AIR CLEANER CAP	1	**	
5	13780-18H00-000	FILTER, AIR	1	*	
6	13746-18H00-000	GASKET, CASE	1	*	
7	13850-18H00-000	TUBE, BREATHER	1	*	
8	09401-15101-000	CLIP	2	**	
9	13870-18H00-000	TUBE, DRAIN	1	*	
10	13877-20F00-000	STOPPER	1	**	
11	09401-15101-000	CLIP	1	**	
12	09401-13409-000	CLIP	1	**	
13	13881-18H00-000	TUBE, OUTLET	4	*	
14	09402-54208-000	CLAMP	4	*	
15	02142-0512A-000	SCREW	4	*	
16	13910-18H00-000	TUBE	1	*	
17	09401-15101-000	CLIP	2	**	
18	09404-10417-000	CLAMP	1		
19	01550-0612B-000	SCREW, AIR CLEANER	2		
20	13697-18H00-000	HOSE, ISC VALVE	1		
21	09401-15101-000	CLIP	1		
22	09401-17401-000	CLIP	1		
23	15630-29G20-000	SENSOR, BOOST	1		
24	15625-29G10-000	COVER	1	*	
25	13166-18H00-000	BRACKET	1		
26	01550-0612A-000	BOLT	1		

DP041039.TIF GSF1250SK7(E2) K7 2007 / MUFFLER

FIG.16



GSF1250AK7 E02\_016  
MUFFLER-C

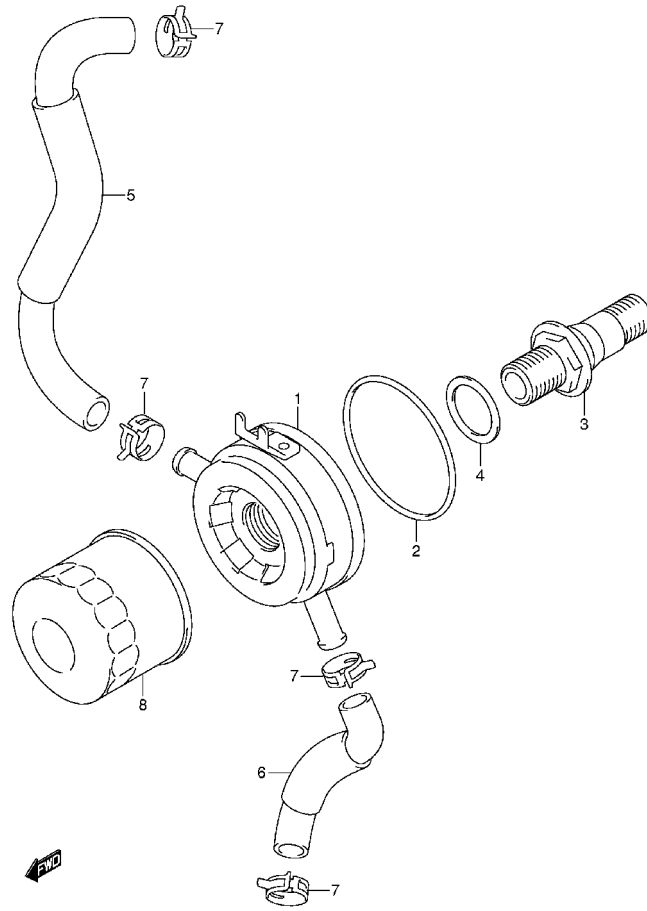
## Part List

DP041039.TIF GSF1250SK7(E2) K7 2007 / MUFFLER

REF NO	PART NO	DESCRIPTION	QTY	KIT	NOTES
1	14100-18H10-000	EXHAUST	1		
2	14181-18C00-000	GASKET, EXHAUST PIPE	4		
3	09106-08165-000	BOLT (8X25)	8		
4	14469-18H00-000	CLAMP	1		
5	14771-18H10-000	CONNECTOR	1		
6	09103-08392-000	BOLT	2		
7	14310-18H00-000	BODY, MUFFLER	1		
8	01550-0840A-000	BOLT	1		
9	09180-08152-000	SPACER (8.6X12X24.2)	1		
10	09320-12048-000	CUSHION	1		
11	09103-08358-000	BOLT	1		
12	09160-08147-000	WASHER (8.6X36X2)	2		
13	09180-08216-000	SPACER	1		
14	09320-12049-000	CUSHION, MUFFLER SUPPORT	1		
15	08361-2508A-000	NUT	1		
16	14458-45G01-000	SPACER	2		
17	18213-18H00-000	SENSOR, OXYGEN	1		

DP040942.TIF GSF1250SK7(E2) K7 2007 / OIL COOLER

FIG.17



GSF1250AK7 E02\_017  
OIL COOLER-C

## Part List

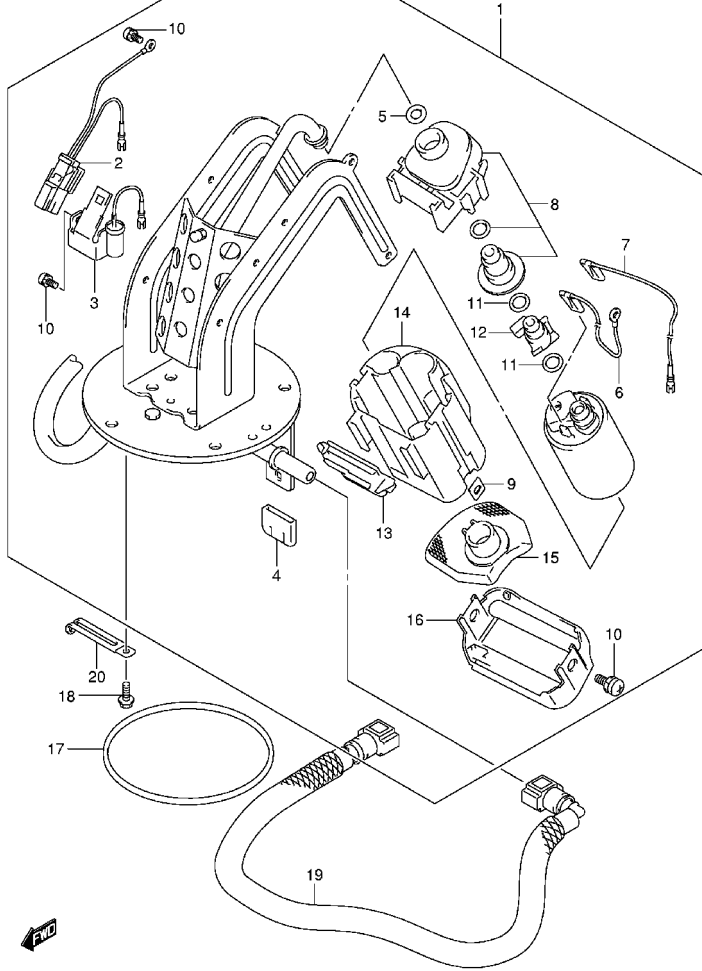
DP040942.TIF GSF1250SK7(E2) K7 2007 / OIL COOLER

REF NO	PART NO	DESCRIPTION	QTY	KIT	NOTES
1	16600-18H00-000	COOLER ASSY, OIL	1		
2	09280-64003-000	O RING (D:3.1, ID:63.9)	1		
3	16591-02F00-000	BOLT, UNION	1		
4	09181-25160-000	WASHER	1		
5	16461-18H00-000	HOSE, INLET	1		
6	16471-18H00-000	HOSE, OUTLET	1		
7	09401-16409-000	CLIP	4		
8	16510-03G00-X07	FILTER ASSY, ENGINE OIL	1		



DP043678.TIF GSF1250SK7(E2) K7 2007 / FUEL PUMP

**FIG.18**



GSF1250AK7 E02\_018  
FUEL PUMP-C

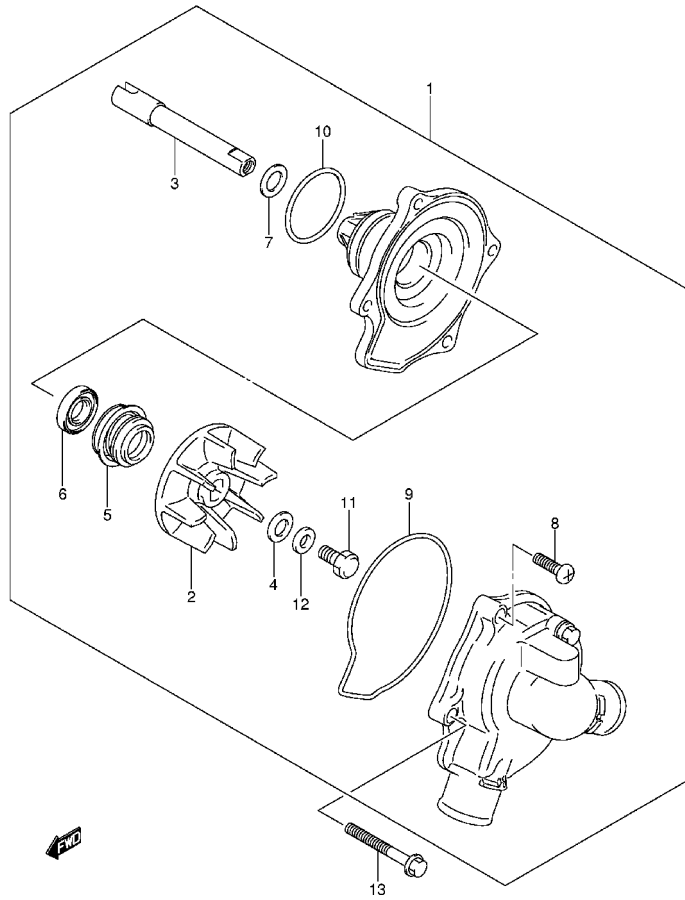
## Part List

DP043678.TIF GSF1250SK7(E2) K7 2007 / FUEL PUMP

REF NO	PART NO	DESCRIPTION	QTY	KIT	NOTES
1	15100-18H00-000	PUMP ASSY, FUEL	1		
2	15246-18H00-000	HARNESS, GAUGE	1	*	
3	15240-18H00-000	THERMISTOR	1	*	
4	15583-18H00-000	CAP	1	*	
5	15113-35F00-000	O RING	1	*	
6	15114-05H00-000	WIRE, EARTH	1	*	
7	15115-05H00-000	WIRE, LEAD	1	*	
8	15610-18H00-000	REGULATOR	1	*	
9	15117-05H00-000	STOPPER	2	*	
10	15116-10F00-000	SCREW	4	*	
11	15113-05H00-000	O RING	2	*	
12	15112-05H00-000	JOINT	1	*	
13	15118-18H00-000	COVER	1	*	
14	15111-18H00-000	CUP	1	*	
15	15420-05H00-000	STRAINER	1	*	
16	15425-18H00-000	VESSEL	1	*	
17	15201-35F00-000	O RING, FUEL PUMP	1		
18	07120-0612A-000	BOLT	5		
19	15810-18H00-000	HOSE, FUEL	1		
20	09404-06429-000	CLAMP	1		

DP041652.TIF GSF1250SK7(E2) K7 2007 / WATER PUMP

**FIG.19**



GSF1250AK7 E02\_019  
WATER PUMP-C

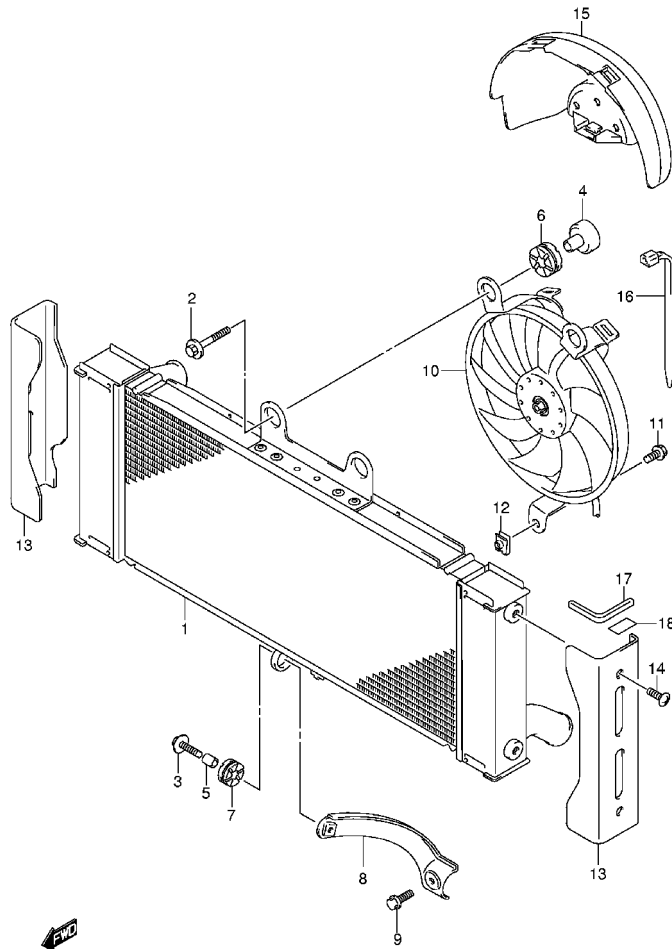
## Part List

DP041652.TIF GSF1250SK7(E2) K7 2007 / WATER PUMP

REF NO	PART NO	DESCRIPTION	QTY	KIT	NOTES
1	17400-18H00-000	PUMP ASSY, WATER	1		
2	17491-01H00-000	IMPELLER	1	*	
3	17511-41G00-000	SHAFT	1	*	
4	09168-06025-000	GASKET	1	*	
5	17470-02F10-000	SEAL, MECHANICAL	1	*	
6	17461-01H00-000	OIL SEAL	1	*	
7	17432-07G00-000	WASHER	1	*	
8	02112-0616A-000	SCREW	2	*	
9	17418-18H00-000	O RING	1	*	
10	17435-33400-000	O RING	1	*	
11	09100-06099-000	BOLT (6X13)	1	*	
12	09164-06006-000	LOCK WASHER	1	*	
13	01547-0635A-000	BOLT	2		

DP043622.TIF GSF1250SK7(E2) K7 2007 / RADIATOR

FIG.20



GSF1250AK7 E02\_020  
RADIATOR-C

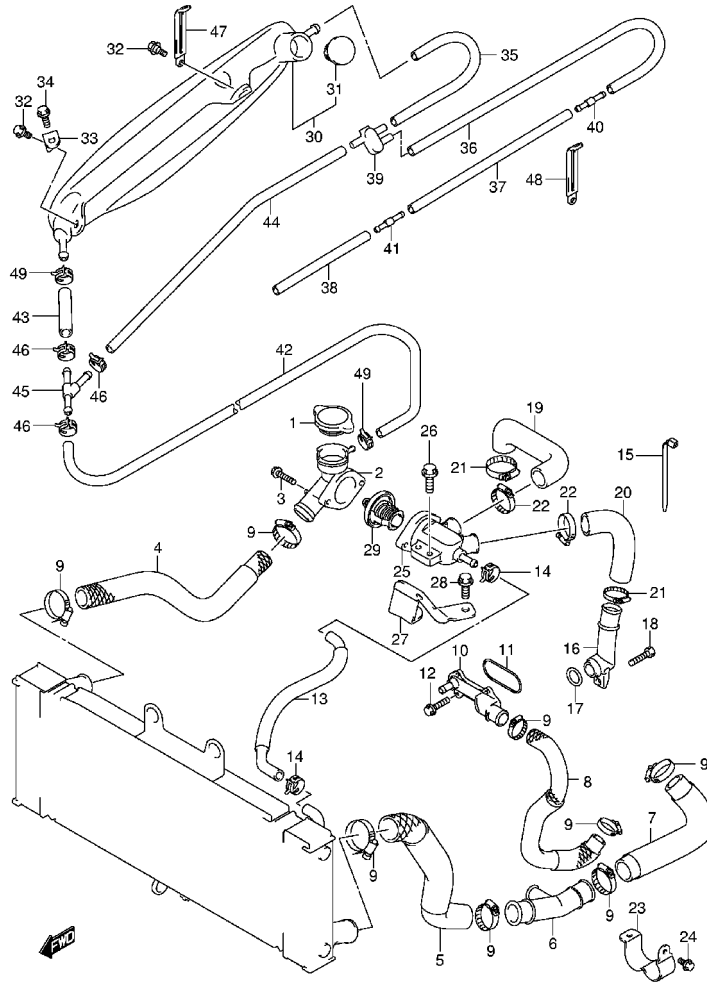
## Part List

DP043622.TIF GSF1250SK7(E2) K7 2007 / RADIATOR

REF NO	PART NO	DESCRIPTION	QTY	KIT	NOTES
1	17710-18H00-000	RADIATOR ASSY, WATER	1		
2	09116-06176-000	BOLT	2		
3	09118-06097-000	BOLT	1		
4	17731-18H00-000	SPACER	2		
5	09180-06290-000	SPACER	1		
6	09320-10062-000	CUSHION	2		
7	09320-10051-000	CUSHION	1		
8	17750-18H00-000	BRACKET	1		
9	01550-0620A-000	BOLT	1		
10	17800-18H00-000	FAN ASSY, RADIATOR	1		
11	01550-0612A-000	BOLT	1		
12	17802-14F00-000	NUT	1		
13	17761-18H00-000	COVER, RADIATOR	2		
14	09139-06027-000	BOLT	4		
15	17771-18H00-000	SHIELD, HEAT	1		
16	09407-14403-000	CLAMP	1		
17	17762-18H00-000	MOLDING	2		GSF1250/A
18	17763-18H00-000	TAPE	4		GSF1250/A

DP042837.TIF GSF1250SK7(E2) K7 2007 / RADIATOR HOSE

FIG.21



GSF1250AK7 E02\_021  
RADIATOR HOSE-C

## Part List

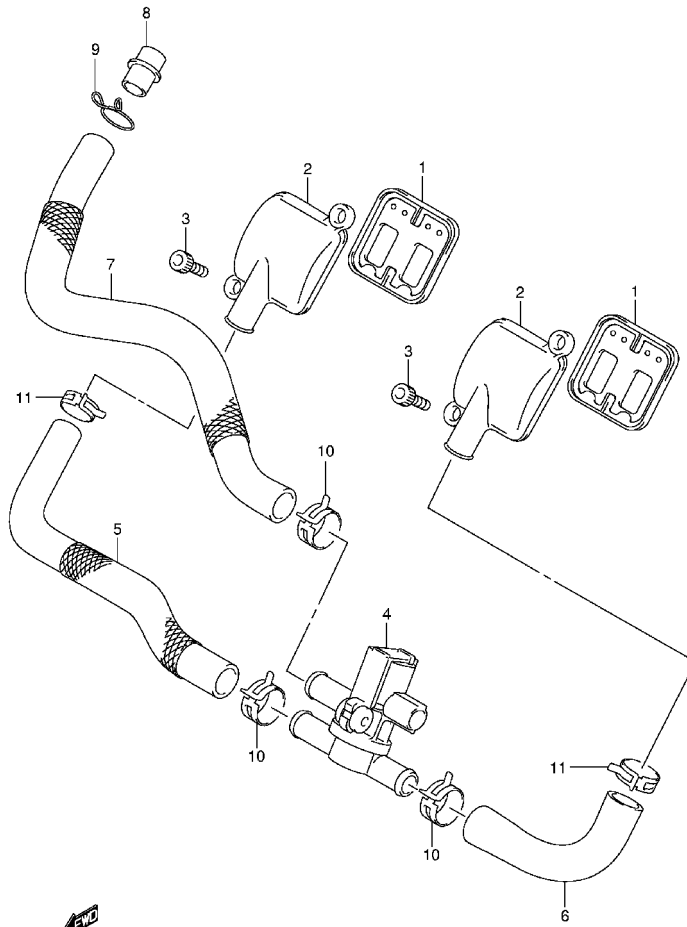
DP042837.TIF GSF1250SK7(E2) K7 2007 / RADIATOR HOSE

REF NO	PART NO	DESCRIPTION	QTY	KIT	NOTES
1	17730-14G00-000	CAP, RADIATOR	1		
2	17791-18H00-000	CONDUCTION	1		
3	01550-0620A-000	BOLT	2		
4	17851-18H00-000	HOSE, RADIATOR INLET	1		
5	17852-18H00-000	HOSE, RADIATOR OUTLET	1		
6	17890-18H00-000	PIPE, RADIATOR OUTLET	1		
7	17853-18H00-000	HOSE, WATER PUMP INLET	1		
8	17854-18H00-000	HOSE, WATER PUMP OUTLET	1		
9	09402-38512-000	CLAMP	8		
10	17861-18H00-000	CONNECTOR, CYLINDER INLET	1		
11	17863-18H00-000	O RING	1		
12	01547-0620A-000	BOLT	4		
13	17856-18H00-000	HOSE, WATER BYPASS	1		
14	09401-12409-000	CLIP	2		
15	09407-18402-000	CLAMP	1		
16	17880-18H00-000	PIPE, CYLINDER OUTLET	2		
17	09280-18008-000	O RING	2		
18	07130-0612A-000	BOLT	2		
19	17857-18H00-000	HOSE, CYLINDER OUTLET RH	1		
20	17858-18H00-000	HOSE, CYLINDER OUTLET LH	1		
21	09402-28513-000	CLAMP	2		
22	09402-32512-000	CLAMP	2		
23	17859-18H00-000	PLATE, WATER HOSE CLAMP	1		
24	01547-0612A-000	BOLT	2		
25	17662-18H00-000	CONNECTOR	1		
26	01550-0620A-000	BOLT	2		
27	17669-18H00-000	BRACKET	1		
28	01550-0612A-000	BOLT	2		
29	17670-76G00-000	THERMOSTAT, WATER	1		
30	17910-18H00-000	TANK ASSY, RESERVOIR	1		
31	17931-02FA0-000	CAP	1	*	
32	09111-06085-000	BOLT	2		
33	17920-18H00-000	BRACKET, RESERVER TANK	1		
34	01550-0620A-000	BOLT	1		
35	17982-18H00-000	HOSE, OVERFLOW	1		
36	17983-18H00-000	HOSE, OVERFLOW NO.2	1		
37	17984-18H00-000	HOSE, OVERFLOW NO.3	1		
38	09359-50901-980	HOSE, OVERFLOW NO.4	1		L: 980->60
39	13471-18H00-000	JOINT, OVERFLOW HOSE	1		
40	09367-04011-000	JOINT, OVERFLOW HOSE NO.2	1		
41	09367-06009-000	JOINT, OVERFLOW HOSE NO.3	1		
42	09352-50901-00B	HOSE, TANK INLET	1		L: 2000->30
43	09352-50901-600	HOSE, TANK INLET NO.2	1		L: 600->0
44	09359-35751-600	HOSE, TANK INLET NO.3	1		L: 600->30
45	09367-06007-000	JOINT	1		
46	09401-08410-000	CLIP	3		
47	09404-08205-000	CLAMP	1		
48	09404-06429-000	CLAMP	1		
49	09401-08411-000	CLIP	2		



DP041597.TIF GSF1250SK7(E2) K7 2007 / 2ND AIR

FIG.22



GSF1250AK7 E02\_022  
2ND AIR-C

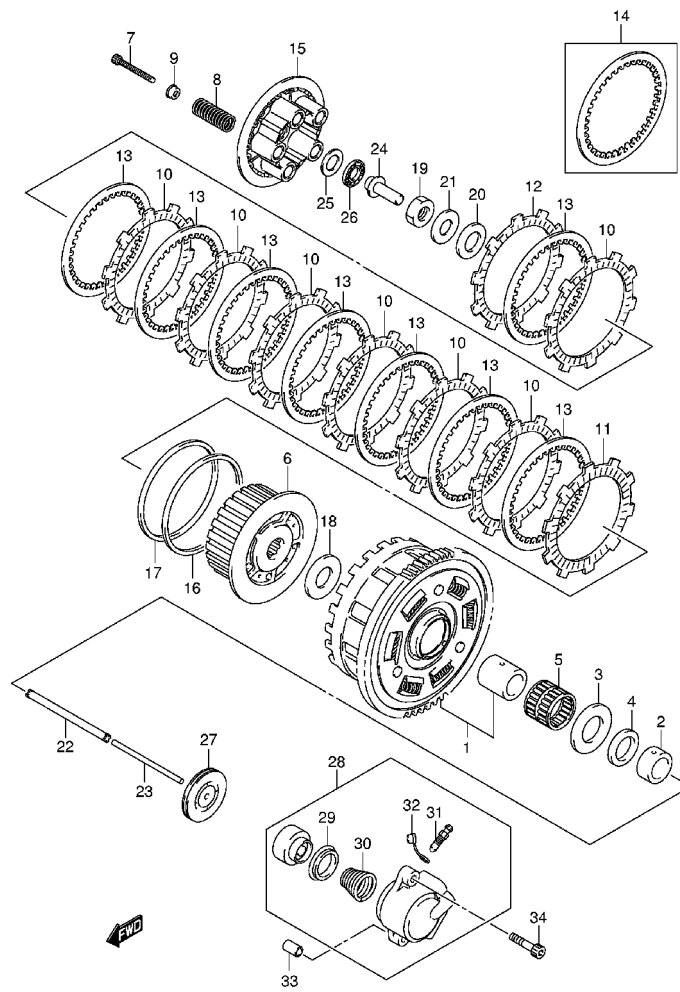
## Part List

DP041597.TIF GSF1250SK7(E2) K7 2007 / 2ND AIR

REF NO	PART NO	DESCRIPTION	QTY	KIT	NOTES
1	18450-35F30-000	VALVE ASSY, 2ND AIR REED	2		
2	18531-15H00-000	COVER, VALVE	2		
3	09106-06073-000	BOLT	4		
4	18510-29G20-000	VALVE ASSY, AIR CUT	1		
5	18461-18H00-000	HOSE, VALVE RH	1		
6	18471-18H00-000	HOSE, VALVE LH	1		
7	18711-18H00-000	HOSE, AIR CLEANER	1		
8	13888-19B00-000	JOINT, HOSE	1		
9	09401-15101-000	CLIP	1		
10	09401-17401-000	CLIP	3		
11	09401-18404-000	CLIP	2		

DP046502.TIF GSF1250SK7(E2) K7 2007 / CLUTCH

FIG.23



GSF1250AK7 E02\_023  
CLUTCH-C

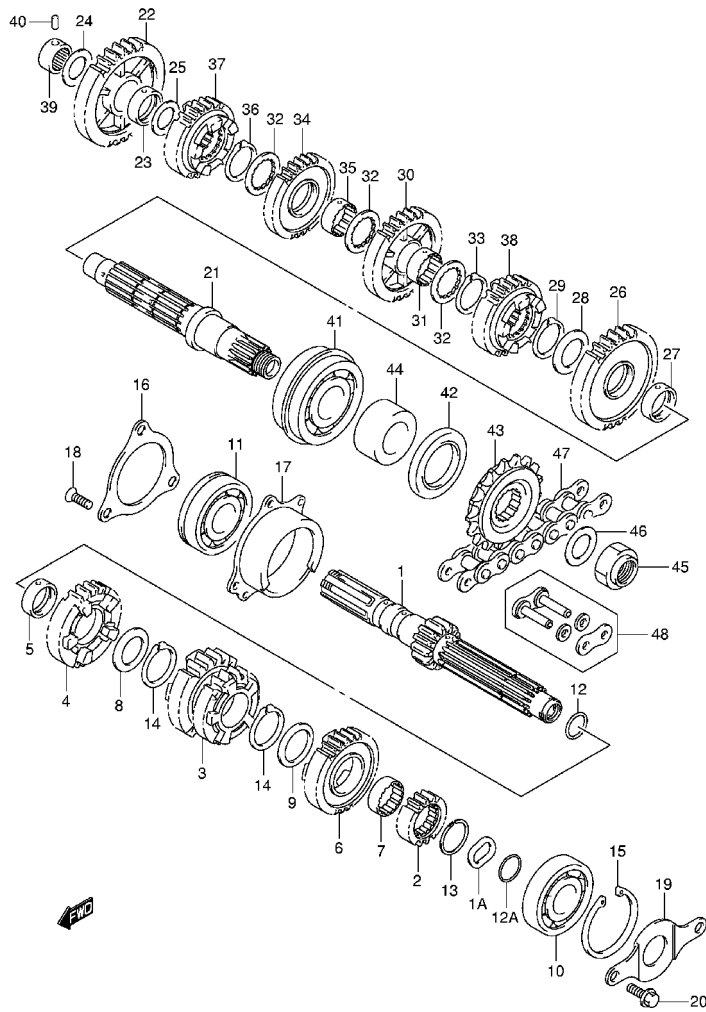
## Part List

DP046502.TIF GSF1250SK7(E2) K7 2007 / CLUTCH

REF NO	PART NO	DESCRIPTION	QTY	KIT	NOTES
1	21200-18810-000	GEAR ASSY, PRIMARY DRIVEN	1		NT:72
2	21253-01H00-000	SPACER, OIL PUMP DRIVE	1		
3	09160-25073-000	WASHER (25X54X2.4)	1		
4	09160-25036-000	WASHER (25X30X3.0)	1		
5	09263-35015-000	BEARING (35X40X26.8)	1		
6	21410-18H00-000	HUB, CLUTCH SLEEVE	1		
7	21412-18H00-000	BOLT, CLUTCH SPRING	5		
8	21413-18H00-000	SPRING, CLUTCH	5		
9	21414-29F00-000	WASHER, CLUTCH SPRING	5		
10	21441-24F40-000	PLATE, CLUTCH DRIVE NO.1	7		
11	21442-24F00-000	PLATE, CLUTCH DRIVE NO.2	1		
12	21441-24F10-000	PLATE, CLUTCH DRIVE NO.3	1		
13	21451-24F00-000	PLATE, CLUTCH DRIVEN NO.1	8		T:2.0
14	21451-24F10-000	PLATE, CLUTCH DRIVEN NO.2	AR		OPT,T:2.3
15	21462-18H00-000	DISK, CLUTCH PRESSURE	1		
16	21471-24F00-000	SEAT, WAVE WASHER	1		
17	21472-24F00-000	WASHER, CLUTCH PLATE WAVE	1		
18	09160-25056-000	WASHER, CLUTCH SLEEVE	1		25X50X2.5
19	09159-24010-000	NUT, CLUTCH SLEEVE HUB	1		
20	09181-25223-000	WASHER, CLUTCH SLEEVE NUT	1		25X38X1
21	09164-24006-000	WASHER, CLUTCH WAVE	1		24.2X35X2
22	23110-18H00-000	ROD, CLUTCH PUSH RH	1		L:169
23	23111-42F00-000	ROD, CLUTCH PUSH LH	1		L:138
24	23121-31E20-000	PIECE, CLUTCH PUSH	1		
25	09160-15045-000	WASHER, CLUTCH PUSH	1		15.5X28X1
26	09263-15003-000	BEARING, CLUTCH PUSH	1		15X28X2
27	09283-06011-000	SEAL, CLUTCH PUSH ROD	1		6X34X5.5
28	23160-18H00-000	CYLINDER, CLUTCH RELEASE	1		
29	23163-05A00-000	CUP	1	*	
30	23164-05A00-000	SPRING	1	*	
31	59121-01A00-000	BLEEDER	1	*	
32	59122-01A00-000	CAP, BLEEDER	1	*	
33	04211-09129-000	KNOCK PIN	2		
34	09103-06251-000	BOLT (6X30)	2		

DP046495.TIF GSF1250SK7(E2) K7 2007 / TRANSMISSION

**FIG.24**



GSF1250AK7 E02\_024  
TRANSMISSION-C

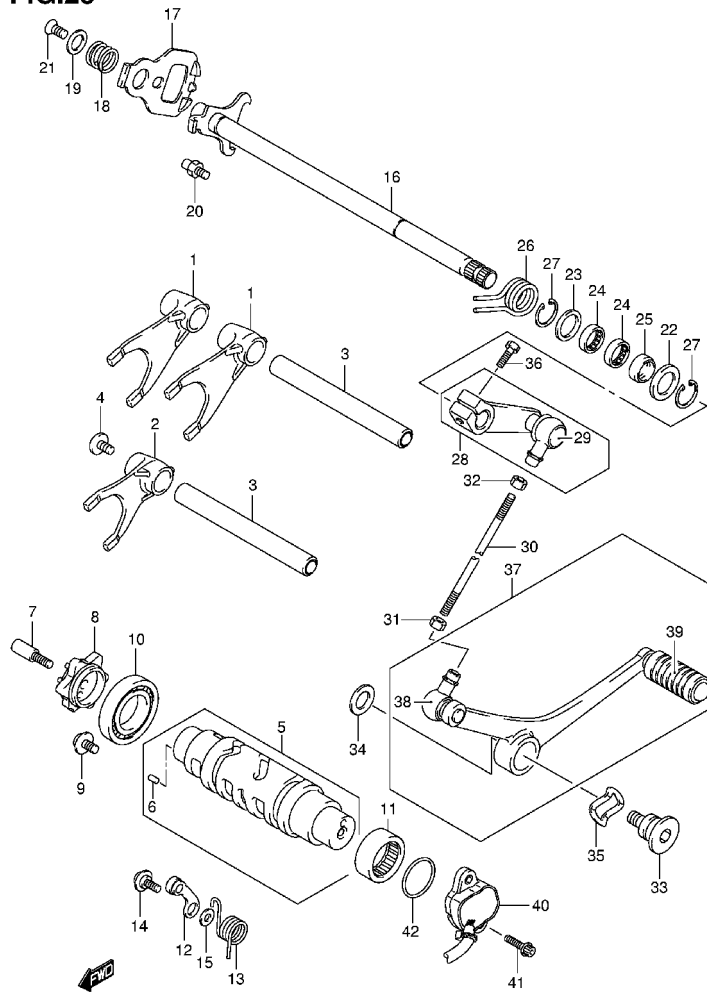
## Part List

DP046495.TIF GSF1250SK7(E2) K7 2007 / TRANSMISSION

REF NO	PART NO	DESCRIPTION	QTY	KIT	NOTES
1	24120-18H00-000	SHAFT, COUNTER (NT:13)	1		
1A	24127-18H00-000	WASHER, CNTR	1		
2	24221-18H00-000	GEAR, 2ND DRIVE (NT:17)	1		
3	24231-18H00-000	GEAR, 3RD & 4TH DRIVE	1		NT:20/23
4	24251-18H00-000	GEAR, 5TH DRIVE (NT:25)	1		
5	24252-35F00-000	BUSH, 5TH DRIVE GEAR	1		
6	24261-18H00-000	GEAR, 6TH DRIVE (NT:28)	1		
7	24262-35F00-000	BUSH, 6TH DRIVE	1		
8	09160-27008-000	WASHER, 5TH DRIVE	1		27X36X1.0
9	09167-27001-000	WASHER, 6TH DRIVE	1		
10	09262-20080-000	BEARING, CNTR, L	1		20X52X15
11	09262-25073-000	BEARING, CNTR, R	1		25X62X17
12	09280-17004-000	O RING, CNTR SHAFT	1		D:1.9,ID:16.6
12A	09280-20001-000	O RING, CNTR SHAFT	1		D:1.0,ID:19.5
13	09380-27004-000	CIRCLIP, 2ND DRIVE	1		
14	09380-27006-000	CIRCLIP, 5TH/6TH	2		
15	08331-4152A-000	CIRCLIP, CNTR, L	1		
16	24751-18H00-000	RETAINER, CNTR SHAFT BRG, R	1		
17	24771-18H00-000	HOUSING, CNTR SHAFT, R	1		
18	09139-06159-000	SCREW, HOUSING (6X20)	3		
19	24741-18H00-000	RETAINER, CL PUSH ROD	1		
20	09103-06236-000	SCREW, PUSH (6X12)	2		
21	24131-18H10-000	SHAFT, DRIVE	1		
22	24311-18H00-000	GEAR, 1ST DRIVEN (NT:40)	1		
23	24312-02F00-000	BUSH, 1ST DRIVEN	1		
24	09181-20251-000	WASHER, 1ST, R	1		20X34X1.0
25	09181-22223-000	WASHER, 1ST, L	1		22X34X1.0
26	24321-18H00-000	GEAR, 2ND DRIVEN (NT:35)	1		
27	24322-02F01-000	BUSH, 2ND DRIVEN	1		
28	09160-27008-000	WASHER, 2ND DRIVEN	1		27X36X1.0
29	09380-27006-000	CIRCLIP, 2ND DRIVEN	1		
30	24331-18H00-000	GEAR, 3RD DRIVEN (NT:31)	1		
31	24262-17E01-000	BUSH, 3RD DRIVEN GEAR	1		
32	24333-02F00-000	WASHER, 3RD & 4TH DRIVEN	3		
33	09380-27006-000	CIRCLIP, 3RD DRIVEN	1		
34	24341-18H00-000	GEAR, 4TH DRIVEN (NT:30)	1		
35	24262-17E01-000	BUSH, 4TH DRIVEN GEAR	1		
36	09380-27006-000	CIRCLIP, 4TH DRIVEN	1		
37	24351-18H00-000	GEAR, 5TH DRIVEN (NT:29)	1		
38	24361-18H00-000	GEAR, 6TH DRIVEN (NT:30)	1		
39	09263-20087-000	BEARING, DRIVE SHAFT, R	1		20X34X3.5
40	09261-06003-000	PIN, DRIVE SHADFT, R	1		
41	09267-30011-000	BEARING, DRIVE SHAFT, L	1		30X62X23.8
42	09283-42018-000	SEAL, DRIVE SHAFT OIL	1		
43	27510-21A40-000	SPROCKET, ENGINE (NT:18)	1		
44	27531-18H00-000	SPACER, SPROCKET	1		
45	09159-20004-000	NUT	1		
46	09160-25035-000	WASHER (25X40X1.4)	1		
47	27600-24F20-120	CHAIN ASSY (RK50GSVZ3M,120LE)	1		L:120->18
48	27620-24F20-000	JOINT SET, CHAIN	1		OPT

DP046239.TIF GSF1250SK7(E2) K7 2007 / GEAR SHIFTING

**FIG.25**



GSF1250AK7 E02\_025  
GEAR SHIFTING-C

## Part List

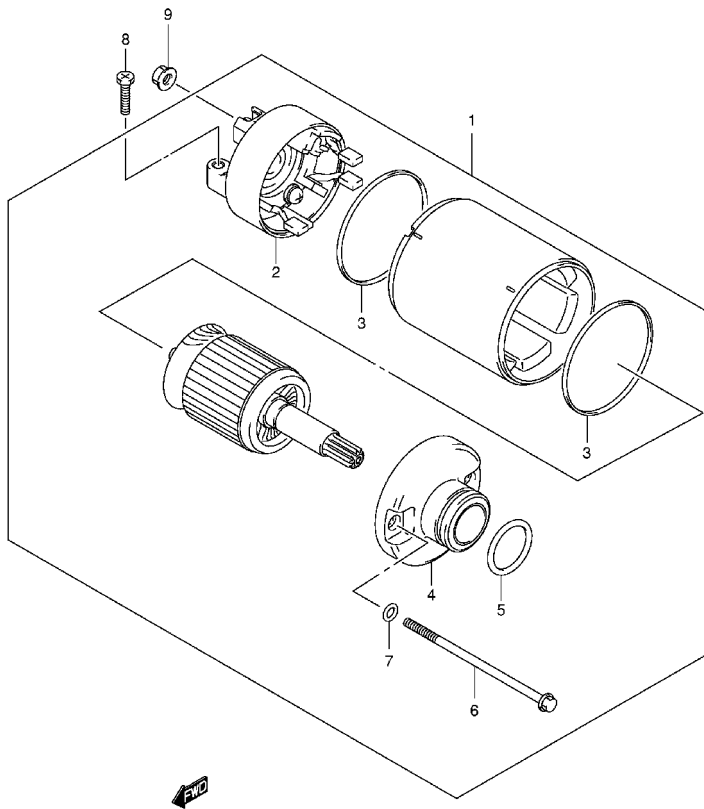
DP046239.TIF GSF1250SK7(E2) K7 2007 / GEAR SHIFTING

REF NO	PART NO	DESCRIPTION	QTY	KIT	NOTES
1	25211-01H00-000	FORK, GEAR SHIFT NO.1	2		
2	25231-01H00-000	FORK, GEAR SHIFT NO.3	1		
3	25411-27A00-000	SHAFT, GEAR SHIFT FORK (L:128)	2		
4	09136-06147-000	SCREW, GEAR SHIFT RTNR	1		6X12
5	25310-18H00-000	CAM, GEAR SHIFT	1		
6	04221-04089-000	PIN	1	*	
7	25312-42F00-000	BOLT, GEAR SHIFT CAM	1		
8	25381-13E30-000	PLATE, GEAR SHIFT CAM	1		
9	09136-06147-000	SCREW, GEAR SHIFT RTNR	1		6X12
10	09262-25006-000	BEARING, GEAR SHIFT CAM	1		25X47X8
11	09263-25018-000	BEARING, GEAR SHIFT, L	1		25X32X12
12	25350-06G00-000	STOPPER, SHIFT CAM	1		
13	25355-18H00-000	SPRING, GEAR SHIFT STOPPER	1		
14	09111-06041-000	BOLT, SHIFT CAM	1		6X14.3
15	08211-06141-000	WASHER, CAM STOPPER	1		
16	25510-18H00-000	SHAFT, GEAR SHIFT	1		
17	25512-06G10-000	PLATE, GEAR SHIFT DRIVE	1		
18	25518-01H00-000	SPRING, GEAR SHIFT RETURN	1		
19	25519-01H00-000	WASHER, GEAR SHIFT END	1		
20	25671-01011-000	STOPPER, GEAR SHIFT	1		
21	09126-06014-000	BOLT, GEAR SHIFT END	1		6X16
22	09160-14016-000	WASHER, GEAR SHIFT, L	1		14X29X0.8
23	09181-14195-000	WASHER, GEAR SHIFT	1		14X24X1.0
24	09263-14027-000	BEARING, GEAR SHIFT	2		14X20X12
25	09283-14006-000	SEAL, GEAR SHIFT OIL	1		14X22X6
26	09444-20001-000	SPRING, SHIFT SHAFT RETURN	1		
27	08331-31146-000	CIRCLIP, GEAR SHIFT SHAFT	2		
28	25520-18H00-000	ARM, GEAR SHIFT LINK	1		
29	25526-47000-000	COVER, DUST	1	*	
30	25525-05A10-000	ROD, GEAR SHIFT LINK	1		
31	09140-06025-000	NUT, GEAR SHIFT LINK, L	1		
32	08310-00067-000	NUT, GEAR SHIFT LINK	1		
33	25617-18H00-000	BOLT, GEAR SHIFT LEVER	1		
34	09160-10035-000	WASHER, GEAR SHIFT LEVER	1		10.5X28X2.3
35	09164-18009-000	WASHER, GEAR SHIFT WAVE	1		
36	01500-0620A-000	BOLT, GEAR SHIFT LINK ARM	1		
37	25600-18H00-000	LEVER ASSY, GEAR SHIFT	1		
38	25526-47000-000	COVER, DUST	1	*	
39	25652-20C00-000	RUBBER	1	*	
40	37730-18H01-000	SENSOR ASSY, GEAR POSITION	1		
41	09106-05023-000	BOLT, GEAR SHIFT SW	1		5X16
42	09280-26007-000	O RING (D:2.40,ID:35.5)	1		



DP045686.TIF GSF1250SK7(E2) K7 2007 / STARTING MOTOR

**FIG.26**



GSF1250AK7 E02\_026  
STARTING MOTOR-C

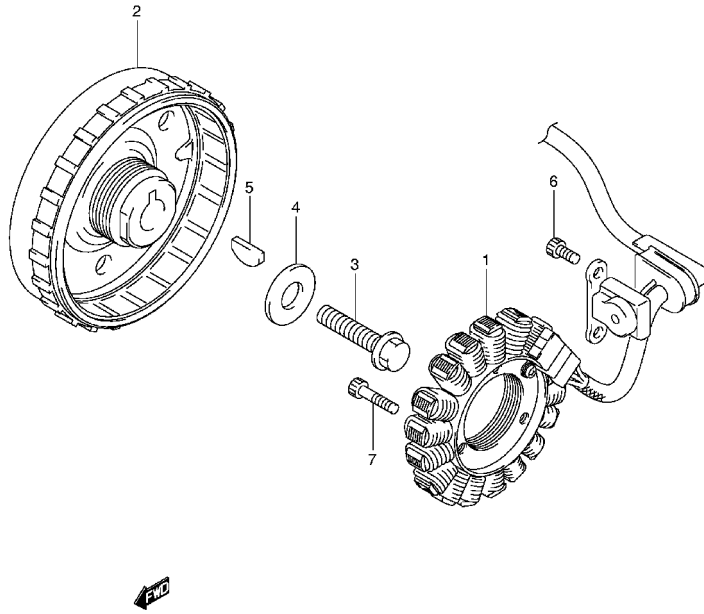
## Part List

DP045686.TIF GSF1250SK7(E2) K7 2007 / STARTING MOTOR

REF NO	PART NO	DESCRIPTION	QTY	KIT	NOTES
1	31100-18H00-000	MOTOR ASSY, STARTING	1		
2	31175-18H00-000	FRAME ASSY	1	*	
3	31264-31300-000	O RING	2	*	
4	31150-18H00-000	HOUSING ASSY	1	*	WITH OIL SEAL
5	09280-24003-000	O RING	1	*	
6	31281-18H00-000	BOLT	2	*	
7	31143-49040-000	O RING	2	*	
8	09128-06024-000	BOLT (6X25)	2		
9	08361-3506A-000	NUT	1		

DP045720.TIF GSF1250SK7(E2) K7 2007 / MAGNETO

**FIG.27**



GSF1250AK7 E02\_027  
MAGNETO-C

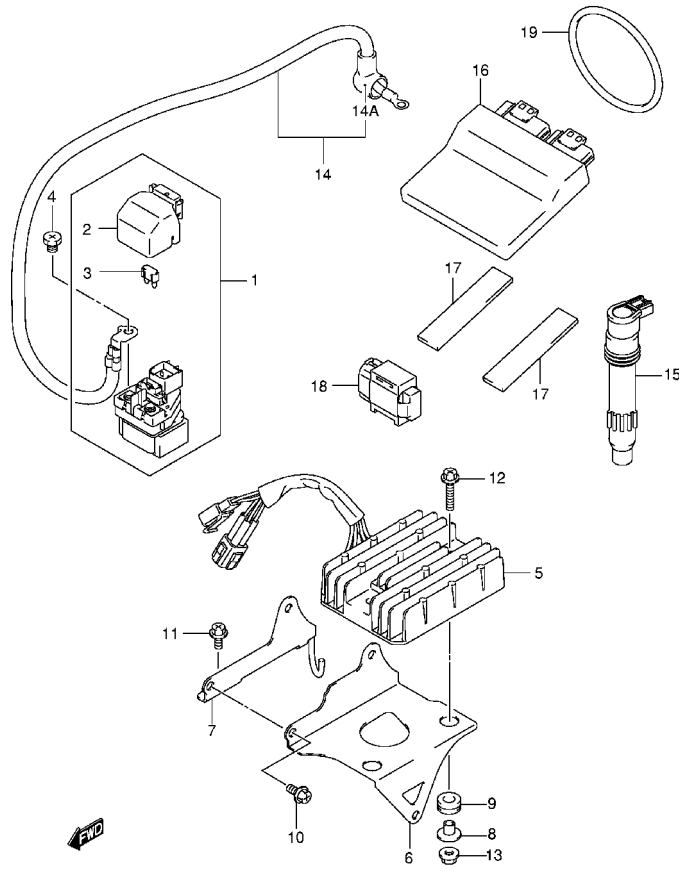
## Part List

DP045720.TIF GSF1250SK7(E2) K7 2007 / MAGNETO

REF NO	PART NO	DESCRIPTION	QTY	KIT	NOTES
1	32101-18H00-000	STATOR ASSY	1		
2	32102-18H00-000	ROTOR ASSY	1		
3	09103-12004-000	BOLT, MAGNETO ROTOR	1		12X40
4	09160-12036-000	WASHER, ROTOR	1		12X30X3
5	09420-04008-000	KEY, MAGNETO	1		
6	07130-0612A-000	BOLT, PULSER COIL	2		
7	07130-0620A-000	BOLT, MAGNETO STATOR	3		

DP045850.TIF GSF1250SK7(E2) K7 2007 / ELECTRICAL

FIG.28



GSF1250AK7 E02\_028  
ELECTRICAL-C

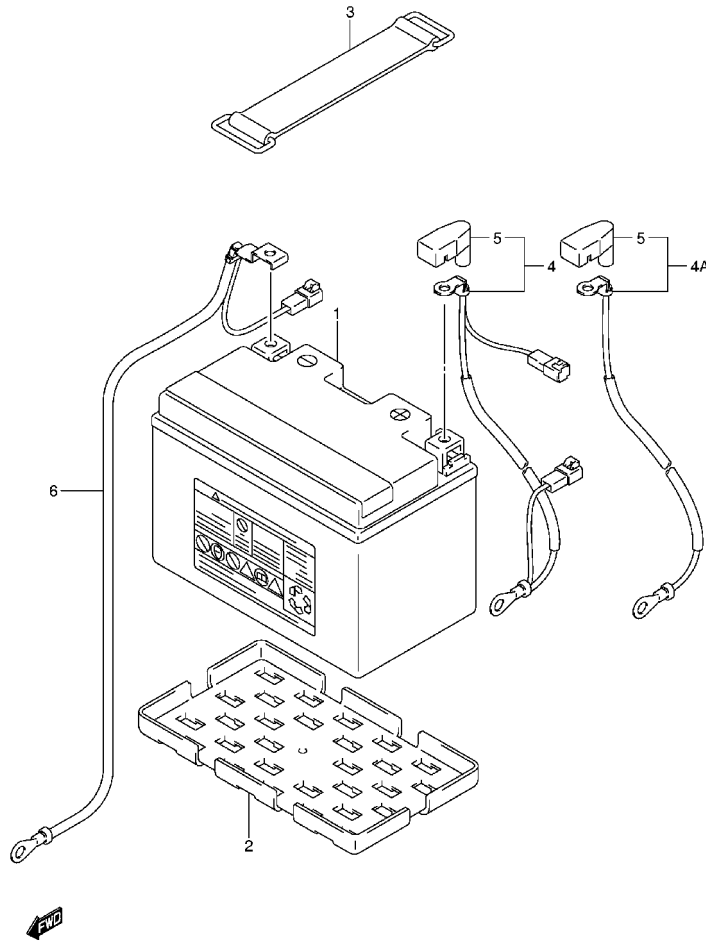
## Part List

DP045850.TIF GSF1250SK7(E2) K7 2007 / ELECTRICAL

REF NO	PART NO	DESCRIPTION	QTY	KIT	NOTES
1	31800-38G00-000	RELAY ASSY, STARTING MOTOR	1		MODEL K7
1	31800-38G10-000	RELAY ASSY, STARTING MOTOR	1		MODEL K8
2	31861-38G00-000	COVER	1	*	
3	09481-30501-000	FUSE (30A)	2	*	
4	09128-06013-000	SCREW (6X8)	2		
5	32800-18H00-000	RECTIFIER ASSY	1		
6	32830-18H10-000	BRACKET, RECT NO.1	1		
7	32830-18H20-000	BRACKET, RECT NO.2	1		
8	09180-06325-000	SPACER, RECT	2		6.2X8.4X6.9
9	09320-08066-000	CUSHION, RECT	2		
10	01547-0612A-000	BOLT, RECT BRKT	3		
11	01547-0612A-000	BOLT, RECT BRKT	2		
12	01547-0625A-000	BOLT RECT	2		
13	08316-1006B-000	NUT, RECT BRKT	2		
14	33810-18H00-000	WIRE, STARTER MOTOR LEAD	1		
14A	33624-18H10-000	CAP, STARTER MOTOR	1	*	
15	33410-35F10-000	COIL ASSY, IGNITION	4		
16	32920-18H00-000	CONTROL UNIT, FI	1		
16	32920-18H40-000	CONTROL UNIT, FI	1		P37
17	33652-07D00-000	CUSHION, FI (80X80X2)	2		CUT AS REQUIRED PROFILE, (20X80)
18	33960-06G10-000	SENSOR ASSY, FUEL CUT	1		
19	09280-70004-000	BAND, FI CONTROL UNIT	1		D:3.53, ID:69.44

DP046046.TIF GSF1250SK7(E2) K7 2007 / BATTERY

FIG.29



GSF1250AK7 E02\_029  
BATTERY-C

## Part List

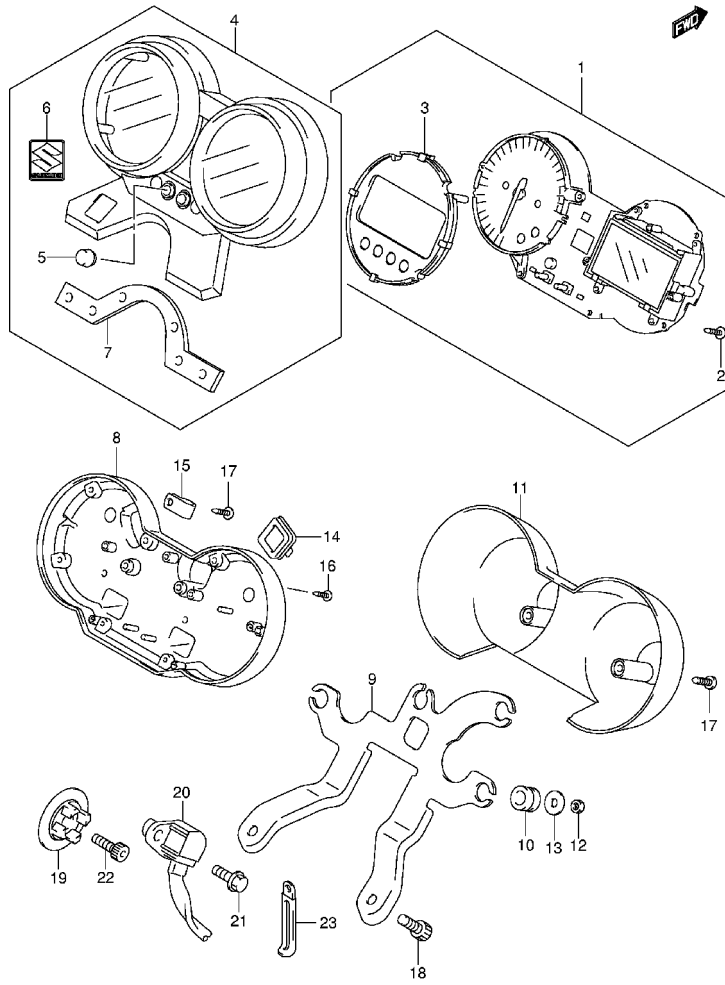
DP046046.TIF GSF1250SK7(E2) K7 2007 / BATTERY

REF NO	PART NO	DESCRIPTION	QTY	KIT	NOTES
1	33610-14G10-000	BATTERY ASSY	1		FT12ABS,12V10AH
2	33652-16G00-000	PROTECTOR BATTERY	1		
3	09462-00046-000	BAND, BATTERY	1		
4	33820-18H10-000	WIRE, BATTERY (+)LEAD	1		GSF1250AK7/AK8, GSF1250SAK7/SAK8
4A	33820-18H00-000	WIRE, BATTERY (-)LEAD	1		GSF1250K7/K8/SK7/SK8
5	33624-27G00-000	CAP, BATTERY	1	*	
6	33860-18H10-000	WIRE, BATTERY MINUS (-)	1		



DP042831.TIF GSF1250SK7(E2) K7 2007 / SPEEDOMETER (GSF1250AK7/AK8)

**FIG.30**



GSF1250AK7 E02\_030  
SPEEDOMETER-C

## Part List

DP042831.TIF GSF1250SK7(E2) K7 2007 / SPEEDOMETER (GSF1250AK7/AK8)

REF NO	PART NO	DESCRIPTION	QTY	KIT	NOTES
1	34120-18H50-000	SPEEDOMETER (MILE/KILO)	1		
1	34120-18H40-000	SPEEDOMETER (KILO)	1		E19
2	09132-03008-000	SCREW (3X16)	4	*	
3	34125-18H00-000	REFLECTOR	1	*	
4	34150-49G00-000	UPPER CASE	1		
5	34124-38G00-000	SWITCH RUBBER	2	*	
6	68281-35F00-000	EMBLEM	1	*	
7	34188-38G00-000	DAMPER	1	*	
8	34111-38G00-000	LOWER CASE	1		
9	34950-38G00-000	BRACKET	1		
10	34189-20C00-000	DAMPER	3		
11	34152-38G00-000	COVER	1		
12	08310-00057-000	NUT	3		
13	09160-05013-000	WASHER (5.2X16X1)	3		
14	34198-38G00-000	GROMMET	1		
15	34176-19F20-000	CLAMP	1		
16	09132-03008-000	SCREW (3X16)	11		
17	34149-17E10-000	SCREW (4X14)	3		
18	07120-0612B-000	BOLT, SPEEDOMETER	2		
19	34981-38G00-000	ROTOR, SPEED	1		
20	34990-47F00-000	SENSOR, SPEED	1		
21	07120-0512B-000	BOLT, SPEED SENSOR	1		
22	07130-0825B-000	BOLT, SPEED ROTOR	1		
23	09404-06429-000	CLAMP (L:45)	1		

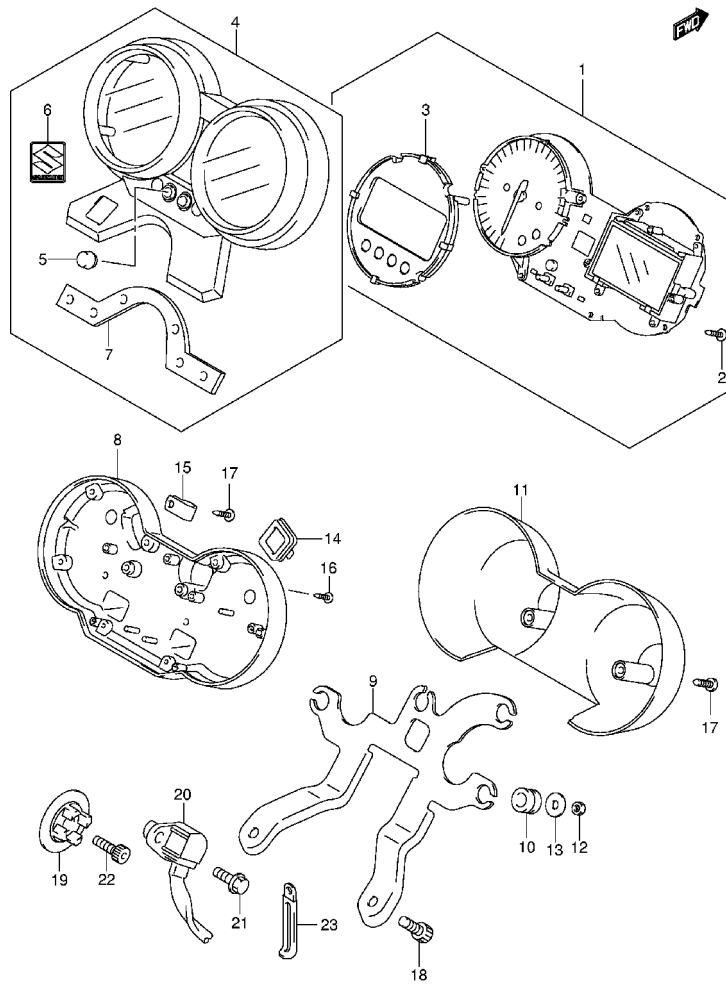
## Page Notes

DP042831.TIF GSF1250SK7(E2) K7 2007 / SPEEDOMETER (GSF1250AK7/AK8)

NOTE TEXT
OEM: REFER TO FIG.30A(D-13) FOR GSF1250K7/K8
OEM: REFER TO FIG.31 (D-14) FOR GSF1250SAK7/SAK8
OEM: REFER TO FIG.31A(D-15) FOR GSF1250SK7/SK8

DP043683.TIF GSF1250SK7(E2) K7 2007 / SPEEDOMETER (GSF1250K7/K8)

**FIG.30A**



GSF1250AK7 E02\_030A  
SPEEDOMETER-C

## Part List

DP043683.TIF GSF1250SK7(E2) K7 2007 / SPEEDOMETER (GSF1250K7/K8)

REF NO	PART NO	DESCRIPTION	QTY	KIT	NOTES
1	34120-18H10-000	SPEEDOMETER (MILE/KILO)	1		
1	34120-18H00-000	SPEEDOMETER (KILO)	1		E19,P37
2	09132-03008-000	SCREW (3X16)	4	*	
3	34125-18H00-000	REFLECTOR	1	*	
4	34150-49G00-000	UPPER CASE	1		
4	34150-18HC0-000	UPPER CASE	1		P37
5	34124-38G00-000	SWITCH RUBBER	2	*	
6	68281-35F00-000	EMBLEM	1	*	
7	34188-38G00-000	DAMPER	1	*	
8	34111-38G00-000	LOWER CASE	1		
9	34950-38G00-000	BRACKET	1		
10	34189-20C00-000	DAMPER	3		
11	34152-38G00-000	COVER	1		
12	08310-00057-000	NUT	3		
13	09160-05013-000	WASHER (5.2X16X1)	3		
14	34198-38G00-000	GROMMET	1		
15	34176-19F20-000	CLAMP	1		
16	09132-03008-000	SCREW (3X16)	11		
17	34149-17E10-000	SCREW (4X14)	3		
18	07120-0612B-000	BOLT, SPEEDOMETER	2		
19	34981-38G00-000	ROTOR, SPEED	1		
20	34990-47F00-000	SENSOR, SPEED	1		
21	07120-0512B-000	BOLT, SPEED SENSOR	1		
22	07130-0825B-000	BOLT, SPEED ROTOR	1		
23	09404-06429-000	CLAMP (L:45)	1		

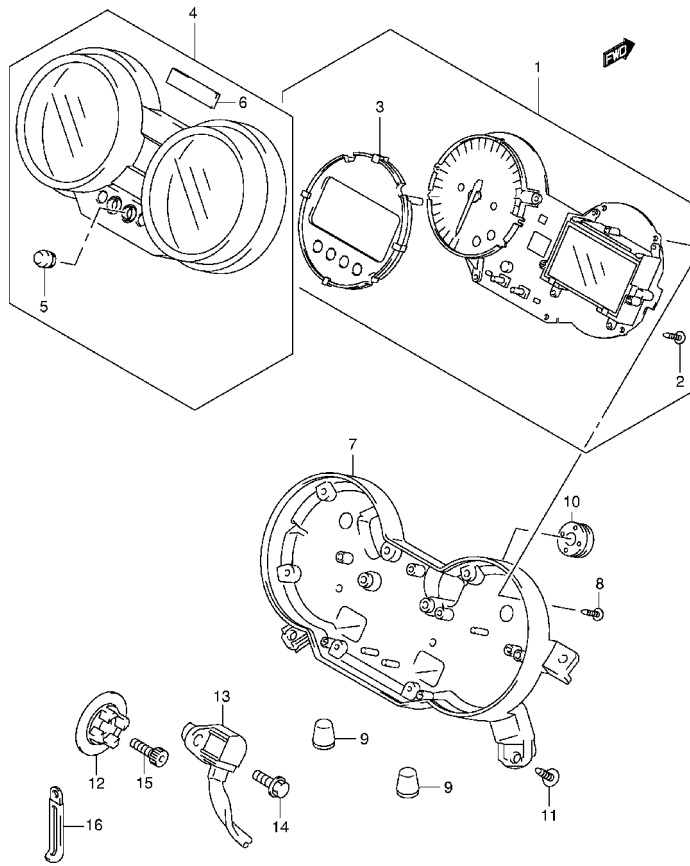
## Page Notes

DP043683.TIF GSF1250SK7(E2) K7 2007 / SPEEDOMETER (GSF1250K7/K8)

NOTE TEXT
OEM: REFER TO FIG.31 (D-14) FOR GSF1250SAK7/SAK8
OEM: REFER TO FIG.31A(D-15) FOR GSF1250SK7/SK8

DP042409.TIF GSF1250SK7(E2) K7 2007 / SPEEDOMETER (GSF1250SAK7/SAK8)

FIG.31



GSF1250AK7 E02\_031  
SPEEDOMETER-C

## Part List

DP042409.TIF GSF1250SK7(E2) K7 2007 / SPEEDOMETER (GSF1250SAK7/SAK8)

REF NO	PART NO	DESCRIPTION	QTY	KIT	NOTES
1	34120-18H70-000	SPEEDOMETER (MILE/KILO)	1		
1	34120-18H60-000	SPEEDOMETER (KILO)	1		E19,E24
2	09132-03008-000	SCREW (3X16)	4	*	
3	34125-18H00-000	REFLECTOR	1	*	
4	34150-18H20-000	UPPER CASE	1		
5	34124-38G00-000	SWITCH RUBBER	2	*	
6	94612-18H20-000	PACKING	1	*	
7	34111-38G20-000	LOWER CASE	1		
8	09132-03008-000	SCREW (3X16)	11		
9	34955-10G00-000	CUSHION	2		
10	09320-08028-000	CUSHION	1		
11	03541-0516B-000	SCREW	4		
12	34981-38G00-000	ROTOR, SPEED	1		
13	34990-47F00-000	SENSOR, SPEED	1		
14	07120-0512B-000	BOLT, SPEED SENSOR	1		
15	07130-0825B-000	BOLT, SPEED ROTOR	1		
16	09404-06429-000	CLAMP (L:45)	1		

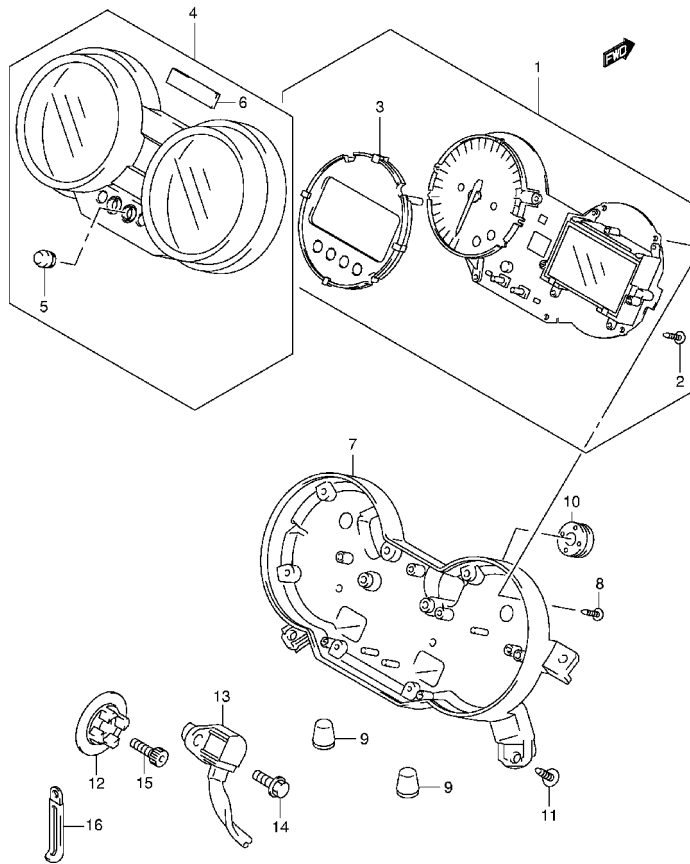
## Page Notes

DP042409.TIF GSF1250SK7(E2) K7 2007 / SPEEDOMETER (GSF1250SAK7/SAK8)

NOTE TEXT
OEM: REFER TO FIG.31A(D-15) FOR GSF1250SK7/SK8

DP043620.TIF GSF1250SK7(E2) K7 2007 / SPEEDOMETER (GSF1250SK7/SK8)

FIG.31A



GSF1250AK7 E02\_031A  
SPEEDOMETER-C

## Part List

DP043620.TIF GSF1250SK7(E2) K7 2007 / SPEEDOMETER (GSF1250SK7/SK8)

REF NO	PART NO	DESCRIPTION	QTY	KIT	NOTES
1	34120-18H30-000	SPEEDOMETER (MILE/KILO)	1		
1	34120-18H20-000	SPEEDOMETER (KILO)	1		E19,E24,P37
2	09132-03008-000	SCREW (3X16)	4	*	
3	34125-18H00-000	REFLECTOR	1	*	
4	34150-18H20-000	UPPER CASE	1		
5	34124-38G00-000	SWITCH RUBBER	2	*	
6	94612-18H20-000	PACKING	1	*	
7	34111-38G20-000	LOWER CASE	1		
8	09132-03008-000	SCREW (3X16)	11		
9	34955-10G00-000	CUSHION	2		
10	09320-08028-000	CUSHION	1		
11	03541-0516B-000	SCREW	4		
12	34981-38G00-000	ROTOR, SPEED	1		
13	34990-47F00-000	SENSOR, SPEED	1		
14	07120-0512B-000	BOLT, SPEED SENSOR	1		
15	07130-0825B-000	BOLT, SPEED ROTOR	1		
16	09404-06429-000	CLAMP (L:45)	1		





## Part List

DP041498.TIF GSF1250SK7(E2) K7 2007 / HEADLAMP (GSF1250K7/K8/AK7/AK8)

REF NO	PART NO	DESCRIPTION	QTY	KIT	NOTES
1	35100-19F60-999	HEADLAMP ASSY	1		
1	35100-19F50-999	HEADLAMP ASSY	1		E19,P37
2	35111-19F00-000	RIM	1	*	
3	35121-19F60-000	LAMP UNIT	1	*	
3	35121-19F50-000	LAMP UNIT	1	*	E19,P37
4	35135-45900-000	NUT	2	*	
5	35151-19F00-000	SCREW, ADJUSTING	1	*	
6	35152-45600-000	NUT	1	*	
7	35154-13F00-000	SPRING	1	*	
8	35174-19F00-000	COVER, SOCKET	1	*	
9	35181-19F00-000	SCREW (5X16)	2	*	
10	36118-19F00-000	CORD, POSITION	1	*	
11	09471-12081-000	BULB (12V 5W)	1		
12	09471-12185-000	BULB (12V 60/55W,H4)	1		
13	09139-05038-000	SCREW, HEADLAMP	2		

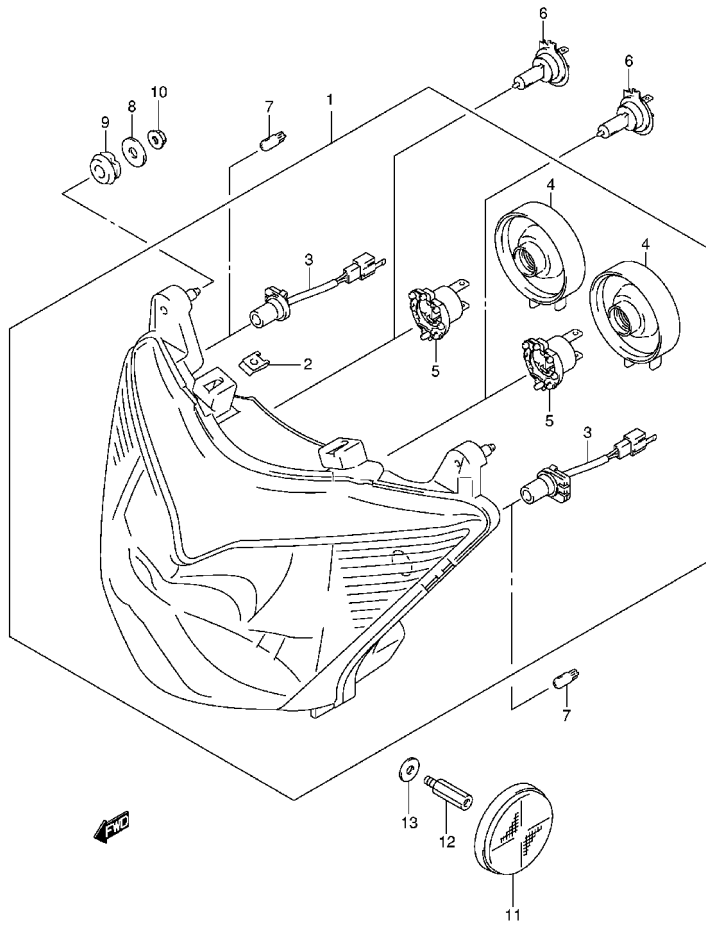
## Page Notes

DP041498.TIF GSF1250SK7(E2) K7 2007 / HEADLAMP (GSF1250K7/K8/AK7/AK8)

NOTE TEXT
OEM: REFER TO FIG.33(E- 3) FOR GSF1250SK7/SK8/SAK7/SAK8

DP043596.TIF GSF1250SK7(E2) K7 2007 / HEADLAMP (GSF1250SK7/SK8/SAK7/SAK8)

FIG.33



GSF1250AK7 E02\_033  
HEADLAMP-C

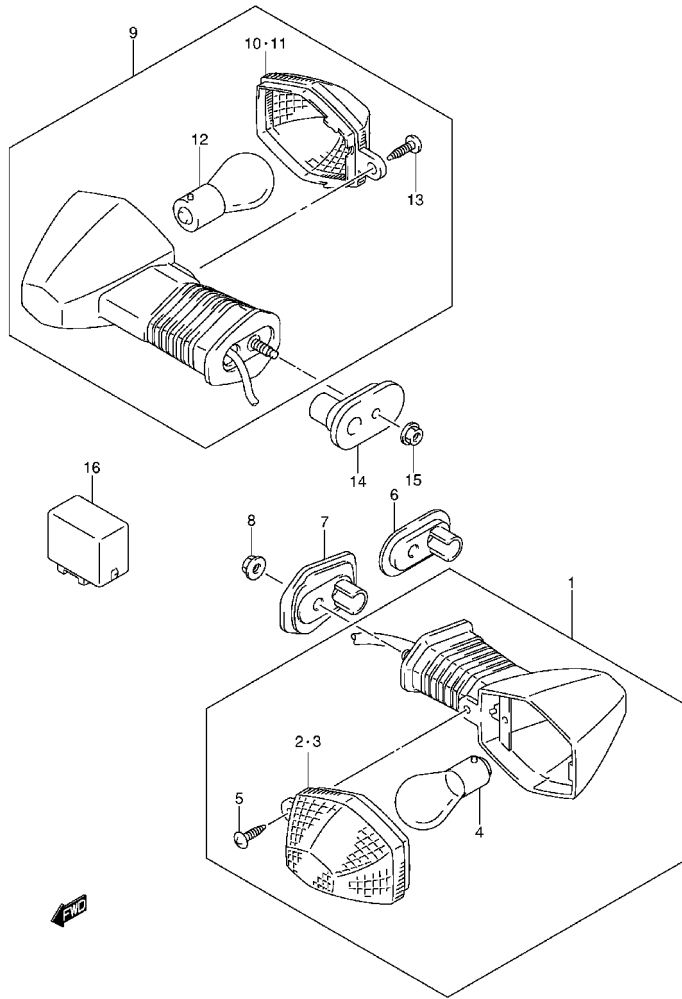
## Part List

DP043596.TIF GSF1250SK7(E2) K7 2007 / HEADLAMP (GSF1250SK7/SK8/SAK7/SAK8)

REF NO	PART NO	DESCRIPTION	QTY	KIT	NOTES
1	35100-38G01-999	HEADLAMP	1		
2	94484-24F00-000	NUT, COWL	4	*	
3	36118-38G00-000	CORD ASSY	2	*	
4	35125-24F10-000	SOCKET, COVER	2	*	
5	35175-24F00-000	ADAPTOR ASSY	2	*	
6	09471-12188-000	BULB (12V 55W,H7)	2		
7	09471-12081-000	BULB (12V 5W)	2		
8	09160-06088-000	WASHER (6.5X20X1.6)	4		
9	09320-09010-000	CUSHION	4		
10	08316-1006B-000	NUT	4		
11	35950-14A10-000	REFLEX REFLECTOR ASSY, FR SIDE	2		E24
12	09119-05023-000	BOLT	2		E24
13	08322-0105B-000	WASHER	2		E24

DP042179.TIF GSF1250SK7(E2) K7 2007 / TURNSIGNAL LAMP

FIG.34



GSF1250AK7 E02\_034  
TURNSIGNAL LAMP-C

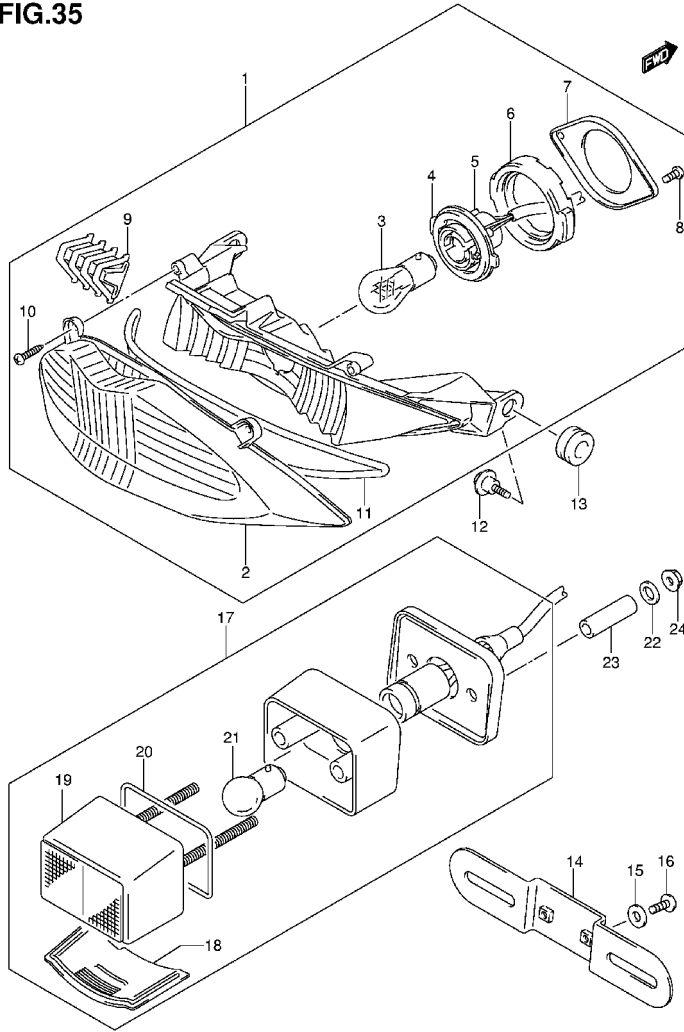
## Part List

DP042179.TIF GSF1250SK7(E2) K7 2007 / TURNSIGNAL LAMP

REF NO	PART NO	DESCRIPTION	QTY	KIT	NOTES
1	35601-38G40-000	LAMP ASSY, FR TURN, R	1		
1	35602-38G40-000	LAMP ASSY, FR TURN, L	1		
2	35612-29FA0-000	LENS, R	1	*	
3	35632-29FA0-000	LENS, L	1	*	
4	09471-12186-000	BULB (12V 21W)	2	*	FOR AMBER
5	03242-04163-000	SCREW	2	*	
6	35629-31F40-000	PLATE, FR TURN	2		GSF1250K7/K8/AK7/AK8
7	35629-18G00-000	PLATE, FR TURN	2		GSF1250SK7/SK8/SAK7/SAK8
8	08316-1005B-000	NUT	2		
9	35603-29FB0-000	LAMP ASSY, RR TURN, R	1		
9	35604-29FB0-000	LAMP ASSY, RR TURN, L	1		
10	35632-29FA0-000	LENS, R	1	*	
11	35612-29FA0-000	LENS, L	1	*	
12	09471-12186-000	BULB (12V 21W)	2	*	FOR AMBER
13	03242-04163-000	SCREW	2	*	
14	35629-31F40-000	PLATE, RR TURN	2		
15	08316-1005B-000	NUT	2		
16	38610-03F00-000	RELAY ASSY, TURN	1		

DP042952.TIF GSF1250SK7(E2) K7 2007 / REAR COMBINATION LAMP

FIG.35



GSF1250AK7 E02\_035  
TAIL LAMP-C

## Part List

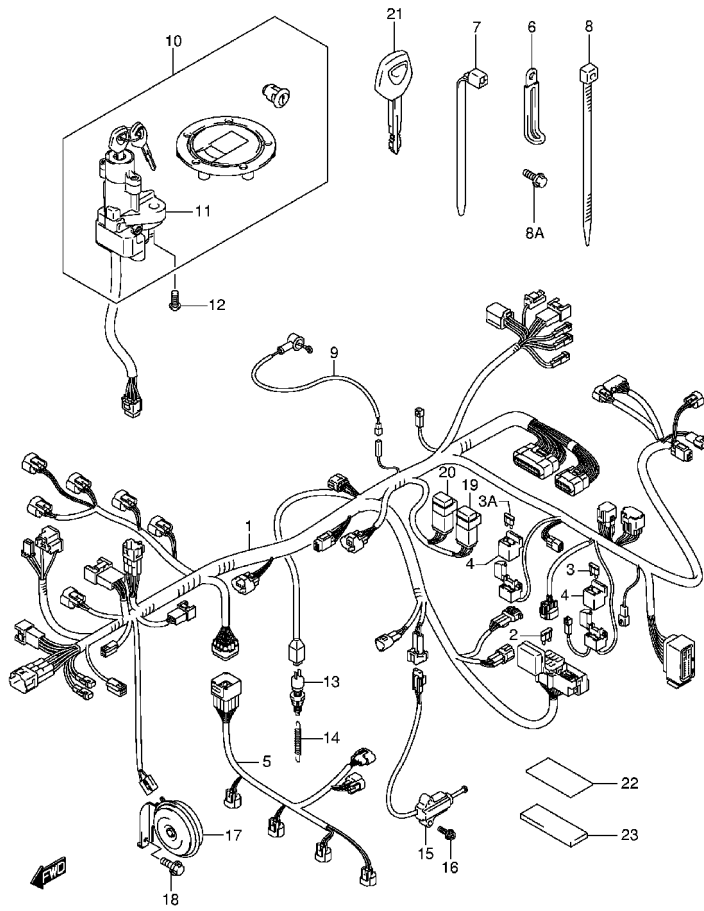
DP042952.TIF GSF1250SK7(E2) K7 2007 / REAR COMBINATION LAMP

REF NO	PART NO	DESCRIPTION	QTY	KIT	NOTES
1	35710-38G41-000	LAMP ASSY, REAR COMB	1		
2	35712-38G40-000	LENS	1	*	
3	09471-12083-000	BULB (12V 21/5W)	1	*	
4	35716-48B21-000	PLATE, NO.1	1	*	
5	35718-38G00-000	SOCKET & CORD	1	*	
6	35765-48B21-000	CUSHION	1	*	
7	35736-48B21-000	PLATE, NO.2	1	*	
8	03211-0412A-000	SCREW	2	*	
9	35716-38G00-000	CUSHION	1	*	
10	03211-0416A-000	SCREW	2	*	
11	35713-38G00-000	GASKET	1	*	
12	09139-05080-000	SCREW, REAR COMB	2		
13	09320-10054-000	CUSHION, RAR COMB	2		
14	35927-29F20-000	BRACKET, LICENSE PLATE	1		
15	09160-06077-000	WASHER, BRACKET	2		6.5X15X1.5
16	02142-0612B-000	SCREW, BRACKET	2		
17	35910-41G40-000	LAMP ASSY, LICENSE	1		
18	35912-41G00-000	LENS, LICENSE	1	*	
19	35917-41G00-000	COVER	1	*	
20	35913-41G00-000	GASKET	1	*	
21	09471-12140-000	BULB (12V 5W)	1	*	
22	09160-06077-000	WASHER, LICENSE	2		6.5X20X1.2
23	09180-06278-000	SPACER, LICENSE	2		6.5X9X33.3
24	08316-1006B-000	NUT, LICENSE	2		



DP046441.TIF GSF1250SK7(E2) K7 2007 / WIRING HARNESS (GSF1250AK7/AK8)

FIG.36



GSF1250AK7 E02\_036  
WIRING HARNESS-C

## Part List

DP046441.TIF GSF1250SK7(E2) K7 2007 / WIRING HARNESS (GSF1250AK7/AK8)

REF NO	PART NO	DESCRIPTION	QTY	KIT	NOTES
1	36610-18HB0-000	HARNESS, WIRING	1		
2	09481-10501-000	FUSE (10A)	3	*	
2	09481-15501-000	FUSE (15A)	3	*	
3	09481-15101-000	FUSE (15A)	2	*	
3A	09481-20101-000	FUSE (20A)	2	*	
4	36742-39D00-000	HOLDER, FUSE	2	*	
5	36859-18H00-000	WIRE, INJECTOR LEAD	1		
6	09404-06429-000	CLAMP (L:45)	2		
6	09404-06433-000	CLAMP (L:95)	1		
6	09404-08207-000	CLAMP (L:80)	2		MODEL AK7
6	09404-08419-000	CLAMP (L:80)	2		MODEL AK8
7	09407-11401-000	CLAMP (L:95)	2		
7	09407-18402-000	CLAMP (L:165)	1		
7	09407-25401-000	CLAMP (L:235)	1		
8	09407-14407-000	CLAMP (L:145)	4		
8A	01550-0612A-000	BOLT, WIRING HARNESS	1		
9	36851-18H00-000	WIRE, OIL PRESSURE SWITCH	1		
10	37000-49820-000	LOCK SET	1		
11	37100-49G00-000	LOCK ASSY, STEERING	1	*	
12	09119-08100-000	BOLT (8X20)	2		
13	37740-24A00-000	SWITCH ASSY, STOP LAMP	1		
14	09443-06054-000	SPRING	1		
15	37840-25D00-000	SWITCH ASSY, SIDE STAND	1		
16	07120-0620B-000	SCREW	2		
17	38500-18H00-000	HORN ASSY	1		
18	01550-0612B-000	BOLT	1		
19	38740-24X50-000	RELAY ASSY, FUEL PUMP	1		
20	38740-24X50-000	RELAY ASSY, FUEL MOTOR	1		
21	37146-33E00-000	KEY, BLANK	1		OPT
22	63131-10F00-000	TAPE (30X75X0.2)	1		
23	33652-38A10-000	PROTECTOR (20X90X2.0)	1		

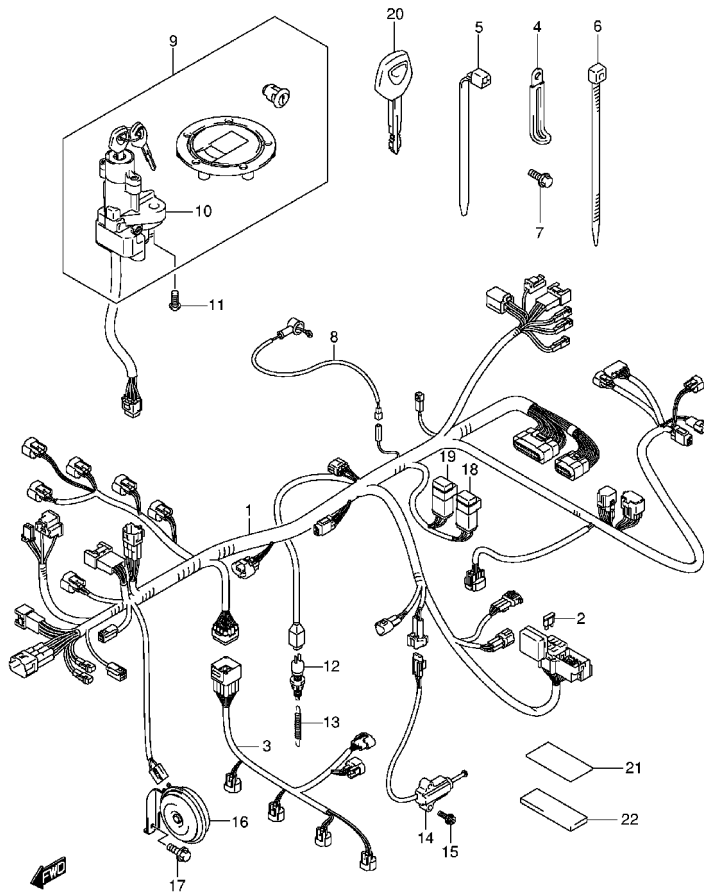
## Page Notes

DP046441.TIF GSF1250SK7(E2) K7 2007 / WIRING HARNESS (GSF1250AK7/AK8)

NOTE TEXT
OEM: REFER TO FIG.36A(E- 7) FOR GSF1250K7/K8
OEM: REFER TO FIG.37 (E- 8) FOR GSF1250SAK7/SAK8
OEM: REFER TO FIG.37A(E- 9) FOR GSF1250SK7/SK8

DP046418.TIF GSF1250SK7(E2) K7 2007 / WIRING HARNESS (GSF1250K7/K8)

FIG.36A



GSF1250AK7 E02\_036A  
WIRING HARNESS-C

## Part List

DP046418.TIF GSF1250SK7(E2) K7 2007 / WIRING HARNESS (GSF1250K7/K8)

REF NO	PART NO	DESCRIPTION	QTY	KIT	NOTES
1	36610-18H10-000	HARNESS, WIRING	1		
2	09481-10501-000	FUSE (10A)	3	*	
2	09481-15501-000	FUSE (15A)	3	*	
3	36859-18H00-000	WIRE, INJECTOR LEAD	1		
4	09404-06429-000	CLAMP (L:45)	2		
4	09404-08419-000	CLAMP (L:80)	2		
4	09404-06433-000	CLAMP (L:95)	1		
4	09404-08207-000	CLAMP (L:80)	2		MODEL K7
5	09407-11401-000	CLAMP (L:95)	2		
5	09407-18402-000	CLAMP (L:165)	1		
5	09407-25401-000	CLAMP (L:235)	1		
6	09407-14407-000	CLAMP (L:145)	4		
7	01550-0612A-000	BOLT, WIRING HARNESS	1		
8	36851-18H00-000	WIRE, OIL PRESSURE SWITCH	1		
9	37000-49820-000	LOCK SET	1		
10	37100-49G00-000	LOCK ASSY, STEERING	1	*	
11	09119-08100-000	BOLT (8X20)	2		
12	37740-24A00-000	SWITCH ASSY, STOP LAMP	1		
13	09443-06054-000	SPRING	1		
14	37840-25D00-000	SWITCH ASSY, SIDE STAND	1		
15	07120-0620B-000	SCREW	2		
16	38500-18H00-000	HORN ASSY	1		
17	01550-0612B-000	BOLT	1		
18	38740-24X50-000	RELAY ASSY, FUEL PUMP	1		
19	38740-24X50-000	RELAY ASSY, FUEL MOTOR	1		
20	37146-33E00-000	KEY, BLANK	1		OPT
21	63131-10F00-000	TAPE (30X75X0.2)	1		
22	33652-38A10-000	PROTECTOR (20X90X2.0)	1		

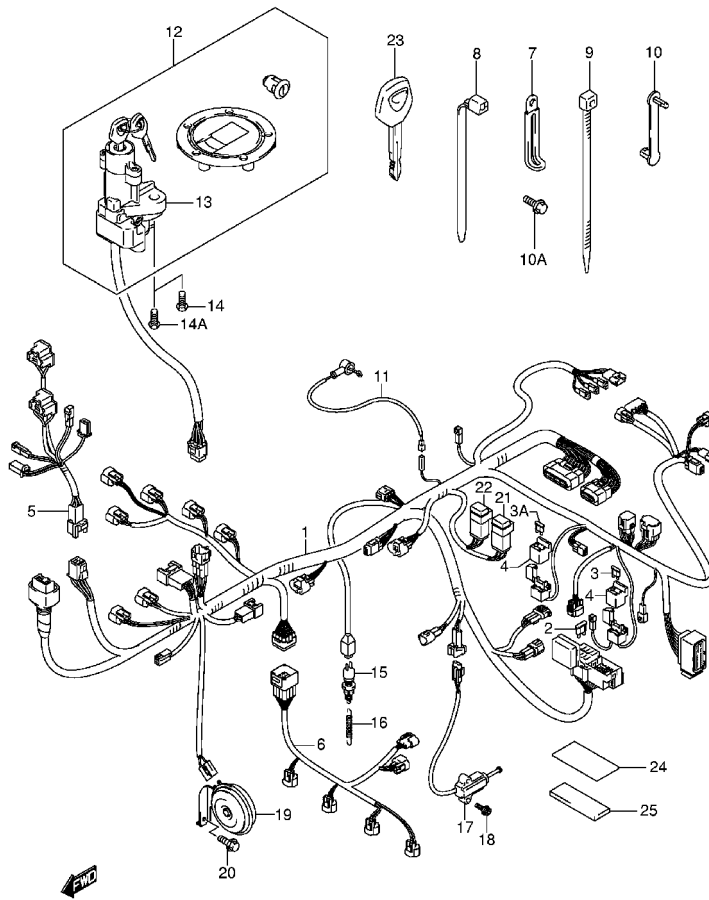
## Page Notes

DP046418.TIF GSF1250SK7(E2) K7 2007 / WIRING HARNESS (GSF1250K7/K8)

NOTE TEXT
OEM: REFER TO FIG.37 (E- 8) FOR GSF1250SAK7/SAK8
OEM: REFER TO FIG.37A(E- 9) FOR GSF1250SK7/SK8

DP046422.TIF GSF1250SK7(E2) K7 2007 / WIRING HARNESS (GSF1250SAK7/SAK8)

FIG.37



GSF1250AK7 E02\_037  
WIRING HARNESS-C

## Part List

DP046422.TIF GSF1250SK7(E2) K7 2007 / WIRING HARNESS (GSF1250SAK7/SAK8)

REF NO	PART NO	DESCRIPTION	QTY	KIT	NOTES
1	36610-18HF0-000	HARNESS, WIRING NO.1	1		
1	36610-18HG0-000	HARNESS, WIRING NO.1	1		E24
2	09481-10501-000	FUSE (10A)	3	*	
2	09481-15501-000	FUSE (15A)	3	*	
3	09481-15101-000	FUSE (15A)	2	*	
3A	09481-20101-000	FUSE (20A)	2	*	
4	36742-39D00-000	HOLDER, FUSE	2	*	
5	36620-38G00-000	HARNESS, WIRING NO.2	1		
6	36859-18H00-000	WIRE, INJECTOR LEAD	1		
7	09404-06429-000	CLAMP (L:45)	2		
7	09404-06433-000	CLAMP (L:95)	1		
8	09407-11401-000	CLAMP (L:95)	2		
8	09407-14403-000	CLAMP (L:125)	1		
8	09407-18402-000	CLAMP (L:165)	1		
8	09407-25401-000	CLAMP (L:235)	1		
9	09407-14407-000	CLAMP (L:145)	5		
10	09407-03401-000	CLAMP	4		
10A	01550-0612A-000	BOLT, WIRING HARNESS	1		
11	36851-18H00-000	WIRE, OIL PRESSURE SWITCH	1		
12	37000-49820-000	LOCK SET	1		
13	37100-49G00-000	LOCK ASSY, STEERING	1	*	
14	09119-08100-000	BOLT (8X20)	2		
14A	09139-08016-000	BOLT (8X20)	2		E24
15	37740-24A00-000	SWITCH ASSY, STOP LAMP	1		
16	09443-06054-000	SPRING	1		
17	37840-25D00-000	SWITCH ASSY, SIDE STAND	1		
18	07120-0620B-000	SCREW	2		
19	38500-18H00-000	HORN ASSY	1		
20	01550-0612B-000	BOLT	1		
21	38740-24X50-000	RELAY ASSY, FUEL PUMP	1		
22	38740-24X50-000	RELAY ASSY, FAN MOTOR	1		
23	37146-33E00-000	KEY, BLANK	1		OPT
24	63131-10F00-000	TAPE (30X75X0.2)	1		
25	33652-38A10-000	PROTECTOR (20X90X2.0)	1		

## Page Notes

DP046422.TIF GSF1250SK7(E2) K7 2007 / WIRING HARNESS (GSF1250SAK7/SAK8)

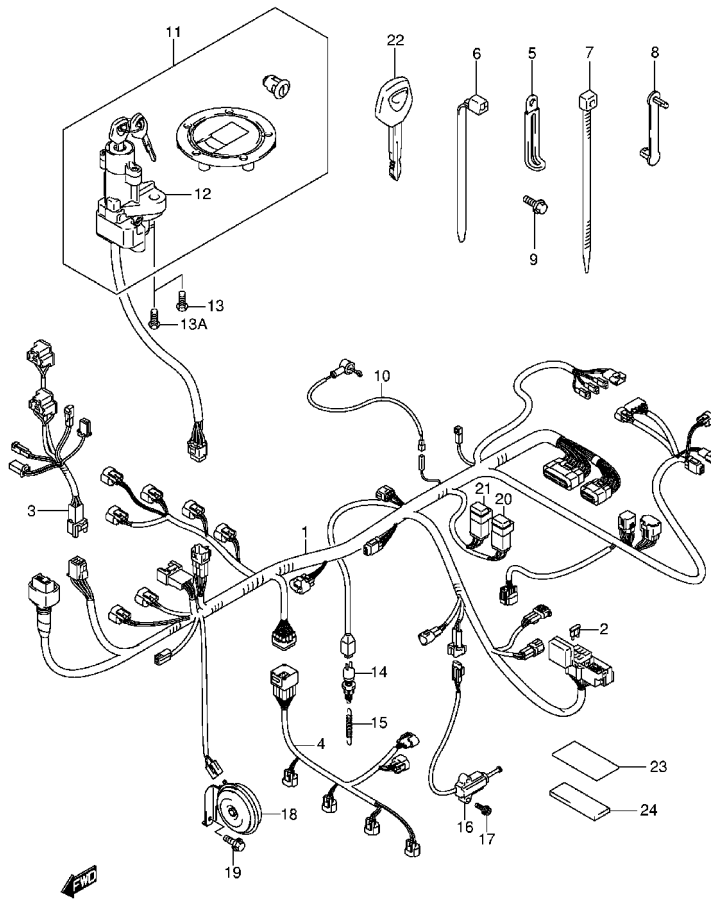
## NOTE TEXT

OEM: REFER TO FIG.37A(E-10) FOR GSF1250SK7/SK8

OEM: REFER TO FIG.37A(E-10) FOR GSF1250SK7/SK8

DP046350.TIF GSF1250SK7(E2) K7 2007 / WIRING HARNESS (GSF1250SK7/SK8)

FIG.37A



GSF1250AK7 E02\_037A  
WIRING HARNESS-C

## Part List

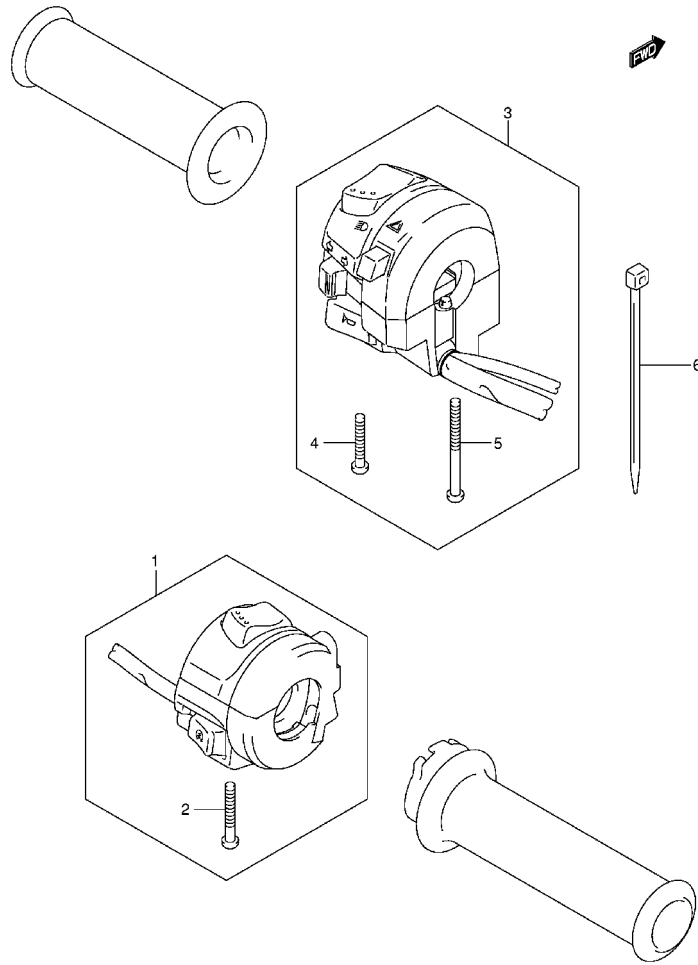
DP046350.TIF GSF1250SK7(E2) K7 2007 / WIRING HARNESS (GSF1250SK7/SK8)

REF NO	PART NO	DESCRIPTION	QTY	KIT	NOTES
1	36610-18H60-000	HARNESS, WIRING NO.1	1		
1	36610-18H80-000	HARNESS, WIRING NO.1	1		E24
2	09481-10501-000	FUSE (10A)	3	*	
2	09481-15501-000	FUSE (15A)	3	*	
3	36620-38G00-000	HARNESS, WIRING NO.2	1		
4	36859-18H00-000	WIRE, INJECTOR LEAD	1		
5	09404-06429-000	CLAMP (L:45)	2		
5	09404-06433-000	CLAMP (L:95)	1		
6	09407-11401-000	CLAMP (L:95)	2		
6	09407-14403-000	CLAMP (L:125)	1		
6	09407-18402-000	CLAMP (L:165)	1		
6	09407-25401-000	CLAMP (L:235)	1		
7	09407-14407-000	CLAMP (L:145)	5		
8	09407-03401-000	CLAMP	4		
9	01550-0612A-000	BOLT, WIRING HARNESS	1		
10	36851-18H00-000	WIRE, OIL PRESSURE SWITCH	1		
11	37000-49820-000	LOCK SET	1		
12	37100-49G00-000	LOCK ASSY, STEERING	1	*	
13	09119-08100-000	BOLT (8X20)	2		
13A	09139-08016-000	BOLT (8X20)	2		E24
14	37740-24A00-000	SWITCH ASSY, STOP LAMP	1		
15	09443-06054-000	SPRING	1		
16	37840-25D00-000	SWITCH ASSY, SIDE STAND	1		
17	07120-0620B-000	SCREW	2		
18	38500-18H00-000	HORN ASSY	1		
19	01550-0612B-000	BOLT	1		
20	38740-24X50-000	RELAY ASSY, FUEL PUMP	1		
21	38740-24X50-000	RELAY ASSY, FAN MOTOR	1		
22	37146-33E00-000	KEY, BLANK	1		OPT
23	63131-10F00-000	TAPE (30X75X0.2)	1		
24	33652-38A10-000	PROTECTOR (20X90X2.0)	1		



DP041124.TIF GSF1250SK7(E2) K7 2007 / HANDLE SWITCH

**FIG.38**



GSF1250AK7 E02\_038  
HANDLE SWITCH-C

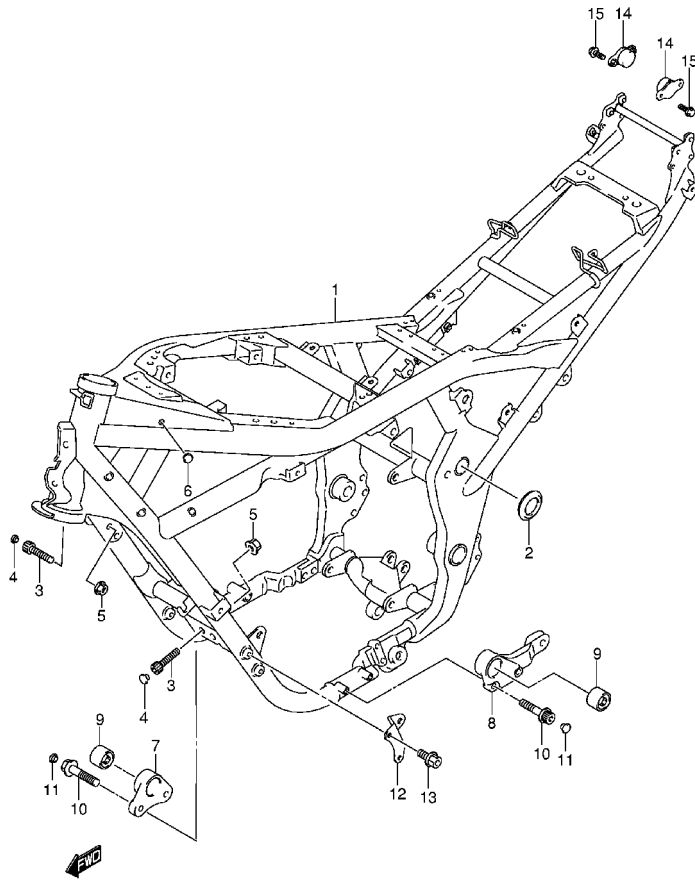
## Part List

DP041124.TIF GSF1250SK7(E2) K7 2007 / HANDLE SWITCH

REF NO	PART NO	DESCRIPTION	QTY	KIT	NOTES
1	37200-38G30-000	SWITCH ASSY, HANDLE RH	1		
2	02112-0530A-000	SCREW	2	*	
3	37400-18H10-000	SWITCH ASSY, HANDLE LH	1		
4	02112-0525A-000	SCREW	1	*	
5	02112-05453-000	SCREW	1	*	
6	09407-14407-000	CLAMP (L:145)	2		

DP042334.TIF GSF1250SK7(E2) K7 2007 / FRAME

FIG.39



GSF1250AK7 E02\_039  
FRAME-C

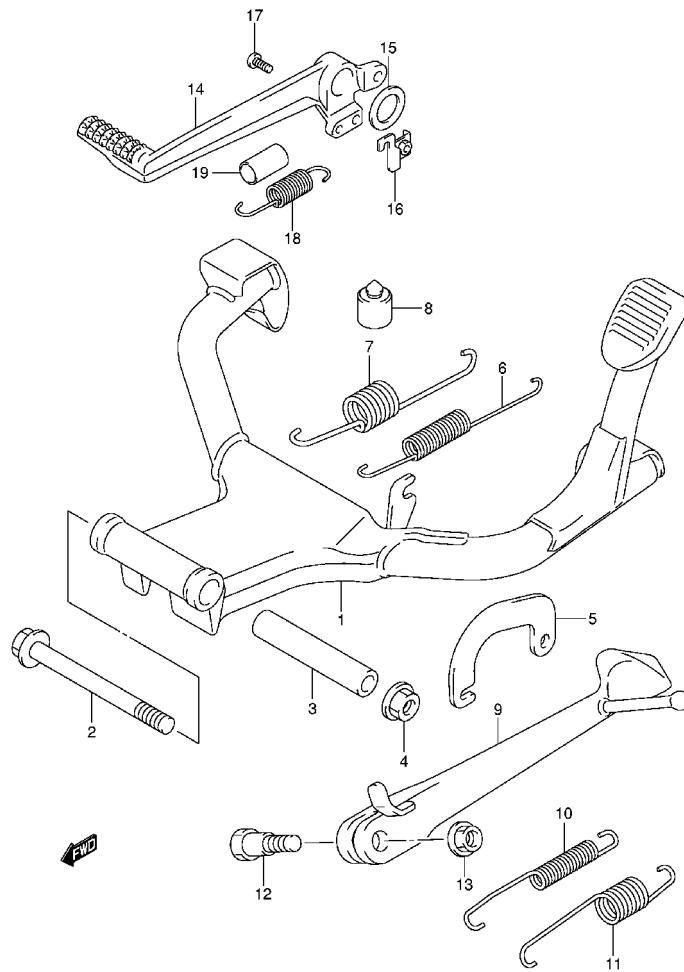
## Part List

DP042334.TIF GSF1250SK7(E2) K7 2007 / FRAME

REF NO	PART NO	DESCRIPTION	QTY	KIT	NOTES
1	41100-18H00-YAP	FRAME (BLACK)	1		FOR YAY,YHL
1	41100-18H00-YHG	FRAME (GRAY)	1		MODEL K7 FOR YLE, MODEL K8 FOR YBA
1	41100-18H00-YMD	FRAME (SILVER)	1		MODEL K8 FOR YHG
2	43585-38G00-000	CAP, FRAME BODY	2		
3	09106-10068-000	BOLT (10X37)	6		
4	09250-08012-000	CAP, RH	4		
5	08319-3110B-000	NUT	6		
6	09250-12014-000	CAP	2		GSF1250SA
7	41931-18H00-000	BRACKET, MOUNT NO.2 RH	1		
8	41941-18H00-000	BRACKET, MOUNT NO.2 LH	1		
9	41932-27E50-000	BUSH	2		
10	09106-08065-000	BOLT	4		
11	09250-06008-000	CAP	4		
12	41942-18H00-YAP	BRACKET, FRONT (BLACK)	1		FOR YAY,YHL
12	41942-18H00-YHG	BRACKET, FRONT (GRAY)	1		MODEL K7 FOR YLE, MODEL K8 FOR YBA
12	41942-18H00-YMD	BRACKET, FRONT (SILVER)	1		MODEL K8 FOR YHG
13	01550-0820A-000	BOLT	4		
14	42550-49G00-000	DAMPER, FRAME REAR	2		
15	01550-0612B-000	BOLT	4		

DP042046.TIF GSF1250SK7(E2) K7 2007 / STAND

FIG.40



GSF1250AK7 E02\_040  
STAND-C

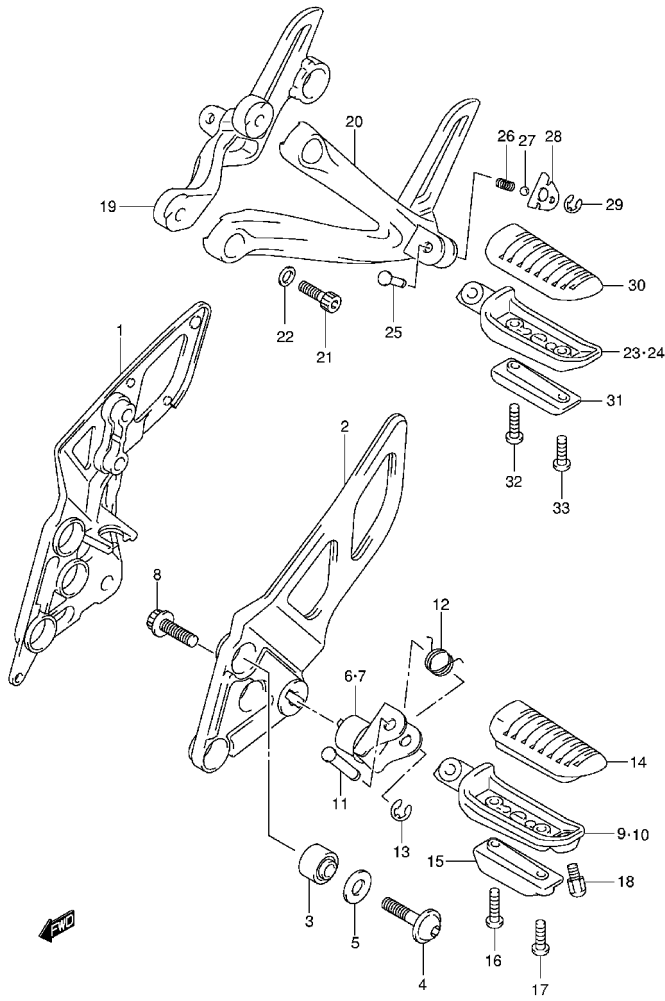
## Part List

DP042046.TIF GSF1250SK7(E2) K7 2007 / STAND

REF NO	PART NO	DESCRIPTION	QTY	KIT	NOTES
1	42100-18H00-000	STAND, CENTER	1		
2	09103-10087-000	BOLT	1		
3	42191-18H00-000	SPACER	1		
4	08319-3110A-000	NUT	1		
5	42192-18H00-000	HOOK, SPRING	1		
6	09443-14073-000	SPRING, INNER	1		
7	09443-22020-000	SPRING, OUTER	1		
8	09321-10034-000	CUSHION	1		
9	42310-32F21-000	STAND, PROP	1		
10	09443-12048-000	SPRING, INNER	1		
11	09443-19010-000	SPRING, OUTER	1		
12	09111-10065-000	BOLT	1		
13	42321-03FK0-000	NUT	1		
14	43111-38G00-000	PEDAL, BRAKE	1		
15	09160-18022-000	WASHER	1		
16	43560-32C00-000	BRACKET, STOP SWITCH	1		
17	02112-0516B-000	SCREW	1		
18	09443-13029-000	SPRING	1		
19	43261-17C00-000	TUBE, SPRING	1		

DP043643.TIF GSF1250SK7(E2) K7 2007 / FOOTREST

FIG.41



GSF1250AK7 E02\_041  
FOOTREST-C

## Part List

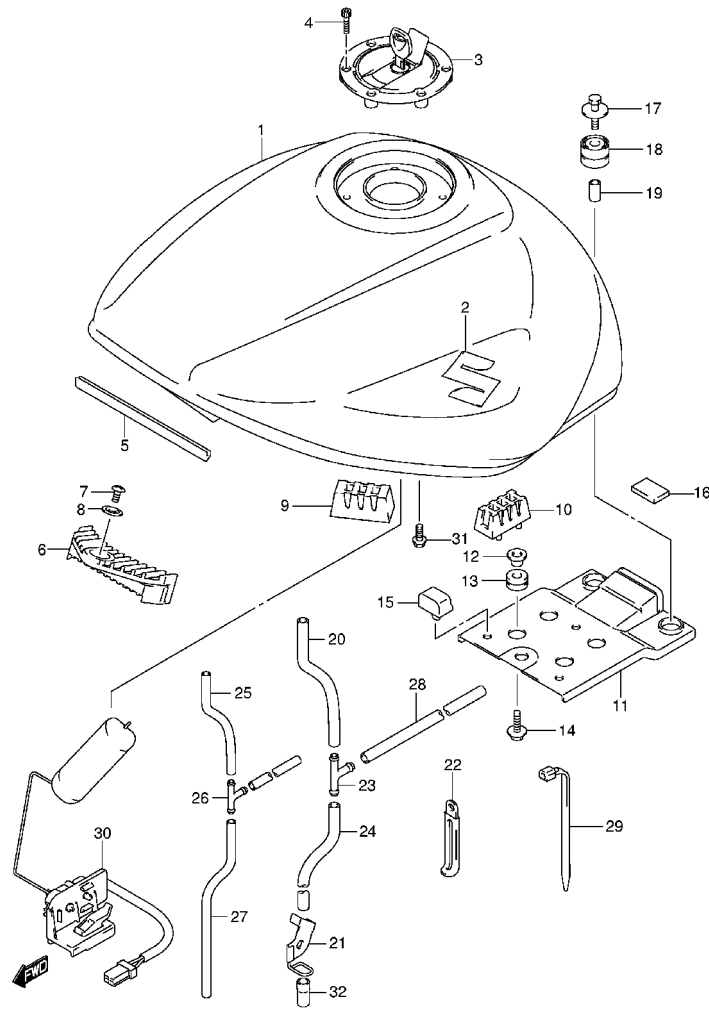
DP043643.TIF GSF1250SK7(E2) K7 2007 / FOOTREST

REF NO	PART NO	DESCRIPTION	QTY	KIT	NOTES
1	43511-38G00-000	BRACKET, FRONT FOOTREST RH	1		
2	43521-38G00-000	BRACKET, FRONT FOOTREST LH	1		
3	09319-08047-000	BUSH	6		
4	09106-08147-000	BOLT	6		
5	09161-12009-000	WASHER	6		
6	43530-18H00-000	HOLDER, FOOTREST RH	1		
7	43540-18H00-000	HOLDER, FOOTREST LH	1		
8	09106-10064-000	BOLT	2		
9	43511-44G00-000	BAR, RH	1		
10	43521-44G00-000	BAR, LH	1		
11	09208-08018-000	PIN	2		
12	09448-14047-000	SPRING	2		
13	08332-1106A-000	E RING	2		
14	43550-44G00-000	RUBBER	2		
15	43536-44G00-000	BALANCER	2		
16	02142-0530B-000	SCREW, INNER	2		
17	02142-0525B-000	SCREW, OUTER	2		
18	43576-07D01-000	BOLT, BANK SENSOR	2		
19	43811-18H00-000	BRACKET, PILLION RH	1		
20	43821-18H00-000	BRACKET, PILLION LH	1		
21	09106-08172-000	BOLT	4		
22	09164-08015-000	WASHER	4		
23	43611-44G00-000	BAR, PILLION RH	1		
24	43621-44G00-000	BAR, PILLION LH	1		
25	09208-08020-000	PIN	2		
26	09440-05005-000	SPRING	2		
27	06111-07004-000	BALL	2		
28	43816-01H01-000	PLATE	2		
29	08332-1106A-000	E RING	2		
30	43550-44G00-000	RUBBER	2		
31	43534-44G00-000	BALANCER	2		
32	02142-0525B-000	SCREW, INNER	2		
33	02142-0520B-000	SCREW, OUTER	2		



DP046090.TIF GSF1250SK7(E2) K7 2007 / FUEL TANK

FIG.42



GSF1250AK7 E02\_042  
FUEL TANK-C

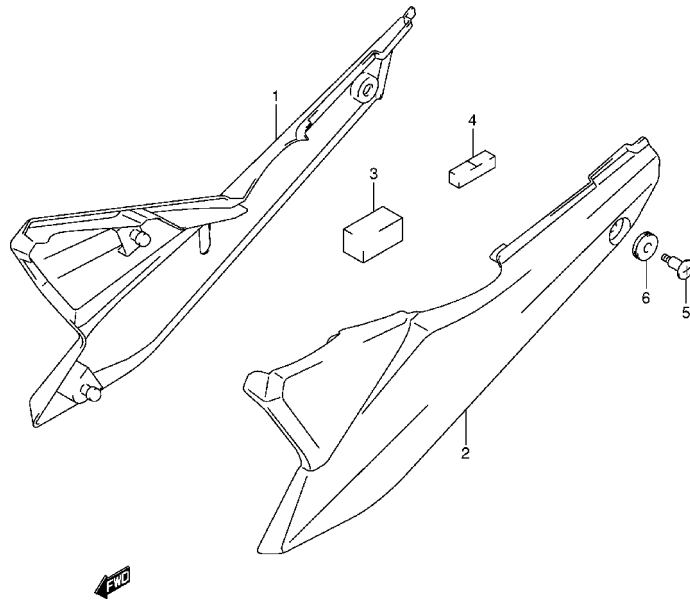
## Part List

DP046090.TIF GSF1250SK7(E2) K7 2007 / FUEL TANK

REF NO	PART NO	DESCRIPTION	QTY	KIT	NOTES
1	44100-18H10-YAY	TANK ASSY, FUEL (BLACK)	1		
1	44100-18H10-YHL	TANK ASSY, FUEL (RED)	1		
1	44100-18H10-YLE	TANK ASSY, FUEL (BLUE)	1		MODEL K7
1	44100-18H10-YBA	TANK ASSY, FUEL (BLUE)	1		MODEL K8
1	44100-18H10-YHG	TANK ASSY, FUEL (GRAY)	1		MODEL K8
1	44100-18H00-YAY	TANK ASSY, FUEL (BLACK)	1		E24,MODEL K7 P37
1	44100-18H00-YHL	TANK ASSY, FUEL (RED)	1		E24,MODEL K7 P37
1	44100-18H00-YLE	TANK ASSY, FUEL (BLUE)	1		MODEL K7 E24,P37
1	44100-18H00-YBA	TANK ASSY, FUEL (BLUE)	1		MODEL K8 E24
1	44100-18H00-YHG	TANK ASSY, FUEL (GRAY)	1		MODEL K8 E24
2	68111-18G20-000	EMBLEM, "S"	2		
3	44200-16850-000	CAP SET, FUEL TANK	1		
4	09106-05017-000	BOLT	3		
5	68241-04X50-300	MOLDING	1		
6	44511-27E00-000	CUSHION, FRONT	1		
7	02142-0510B-000	SCREW	1		
8	09169-05012-000	WASHER	1		
9	45149-45330-000	CUSHION, SIDE	2		
10	44541-31F00-000	CUSHION, FUEL TANK SIDE	2		
11	44141-38G00-000	BRACKET, REAR	1		
12	09169-06062-000	WASHER, LOWER	4		
13	09320-08001-000	CUSHION	4		
14	09116-06192-000	BOLT	4		
15	45149-21G00-000	CUSHION	3		
16	47163-10FA0-000	CUSHION	1		
17	09116-06172-000	BOLT	2		
18	44541-38G00-000	CUSHION	2		
19	09180-06271-000	SPACER	2		
20	44423-16G10-000	HOSE, DRAIN	1		
21	44480-18H00-000	GUIDE, DRAIN HOSE	1		
22	09404-10417-000	CLAMP	1		
23	09367-08004-000	3 WAY, DRAIN HOSE	1		
24	09352-70103-600	HOSE, DRAIN NO.2	1		
25	44424-38G00-000	HOSE, BREATHER	1		
26	09367-06002-000	3 WAY	1		
27	09352-50823-600	HOSE, NO.1 (L:600->00)	1		
28	09352-50823-00B	HOSE, NO.2 (L:1000->10)	1		
29	09407-14403-000	CLAMP	1		
30	34810-18H00-000	GAUGE, FUEL LEVEL	1		
31	01500-0612A-000	BOLT	1		
32	09352-13162-600	HOSE, JOINT (L:600->0)	1		

DP040895.TIF GSF1250SK7(E2) K7 2007 / FRAME COVER

**FIG.43**



GSF1250AK7 E02\_043  
FRAME COVER-C

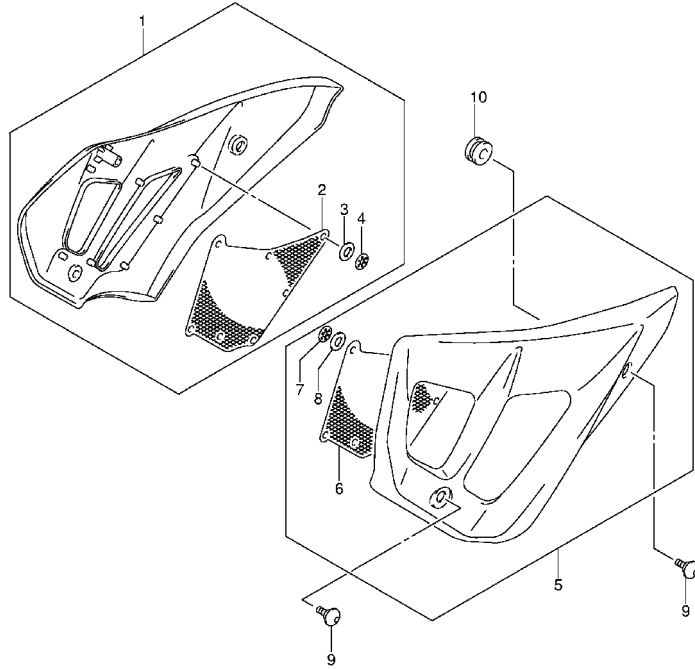
## Part List

DP040895.TIF GSF1250SK7(E2) K7 2007 / FRAME COVER

REF NO	PART NO	DESCRIPTION	QTY	KIT	NOTES
1	47111-38G02-YKV	COVER, FRAME RH (BLACK)	1		
2	47211-38G03-YKV	COVER, FRAME LH (BLACK)	1		
3	47191-22D00-000	CUSHION, FRONT	2		
4	44894-24A00-000	CUSHION, REAR	2		
5	09139-06132-000	SCREW	2		
6	09320-08018-000	CUSHION	4		

DP041501.TIF GSF1250SK7(E2) K7 2007 / FRAME HEAD COVER (GSF1250/A)

**FIG.44**



GSF1250AK7 E02\_044  
FRAME HEAD COVER-C

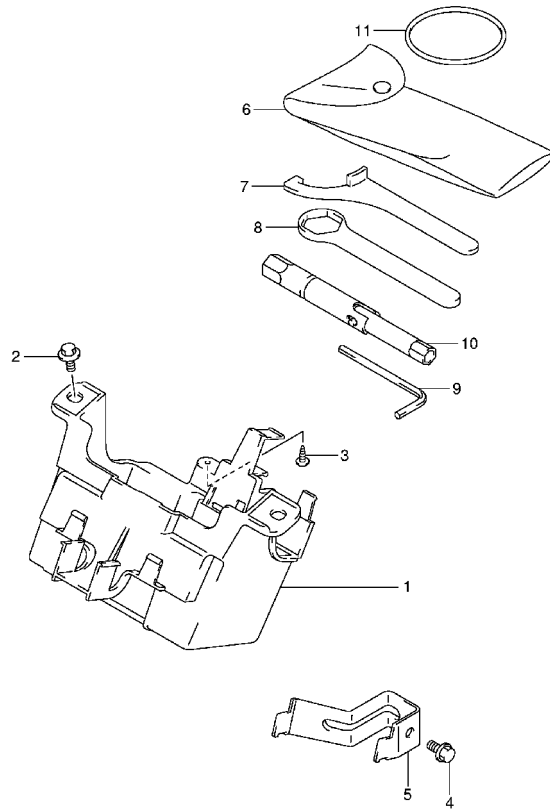
## Part List

DP041501.TIF GSF1250SK7(E2) K7 2007 / FRAME HEAD COVER (GSF1250/A)

REF NO	PART NO	DESCRIPTION	QTY	KIT	NOTES
1	47510-38G10-YAY	COVER, FRAME HEAR RH (BLACK)	1		
1	47510-38G10-YHL	COVER, FRAME HEAR RH (RED)	1		
1	47510-38G10-YLE	COVER, FRAME HEAR RH (BLUE)	1		MODEL K7
1	47510-38G10-YBA	COVER, FRAME HEAR RH (BLUE)	1		MODEL K8
1	47510-38G10-YHG	COVER, FRAME HEAR RH (GRAY)	1		MODEL K8
2	47512-38G01-291	NET, RH (BLACK)	1	*	
3	09320-06501-000	CUSHION	7	*	
4	09148-05006-000	NUT	7	*	
5	47520-38G10-YAY	COVER, FRAME HEAD LH (BLACK)	1		
5	47520-38G10-YHL	COVER, FRAME HEAD LH (RED)	1		
5	47520-38G10-YLE	COVER, FRAME HEAD LH (BLUE)	1		MODEL K7
5	47520-38G10-YBA	COVER, FRAME HEAD LH (BLUE)	1		MODEL K8
5	47520-38G10-YHG	COVER, FRAME HEAD LH (GRAY)	1		MODEL K8
6	47522-38G01-291	NET, LH (BLACK)	1	*	
7	09148-05006-000	NUT	7	*	
8	09320-06501-000	CUSHION	7	*	
9	09139-06144-000	SCREW	4		
10	09320-09501-000	CUSHION	2		

DP045401.TIF GSF1250SK7(E2) K7 2007 / MANUAL BOX

FIG.45



GSF1250AK7 E02\_045  
MANUAL BOX-C

## Part List

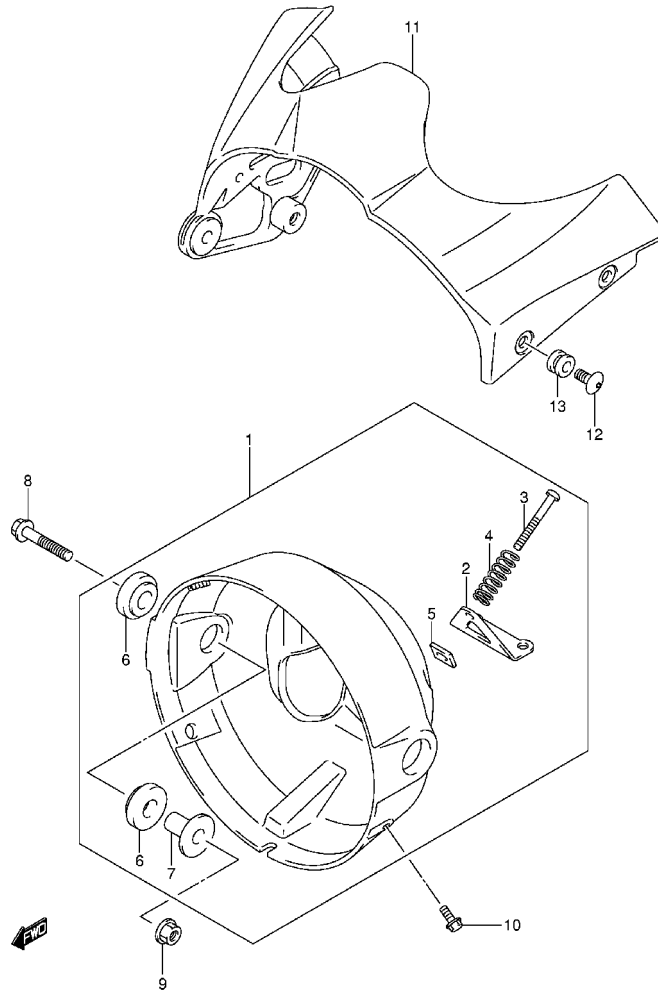
DP045401.TIF GSF1250SK7(E2) K7 2007 / MANUAL BOX

REF NO	PART NO	DESCRIPTION	QTY	KIT	NOTES
1	47430-18H01-000	HOLDER, BATTERY	1		
2	63161-43E00-000	SCREW	2		
3	03541-0516B-000	SCREW	2		
4	01550-0612A-000	BOLT	1		
5	47410-38G01-000	PLATE, FUSE BOX	1		
6	09800-21055-000	TOOL ASSY	1		
7	09822-00005-000	CLAMP WRENCH	1		
8	09817-00034-000	RING, SPANNER	1		
9	09816-00059-000	SPANNER, HEXAGON 5	1		
10	09816-00149-000	SPANNER, BOX	1		
11	09280-61002-000	BAND, TOOL	1		



DP041529.TIF GSF1250SK7(E2) K7 2007 / HEADLAMP HOUSING (GSF1250/A)

FIG.46



GSF1250AK7 E02\_046  
HEADLAMP HOUSING-C

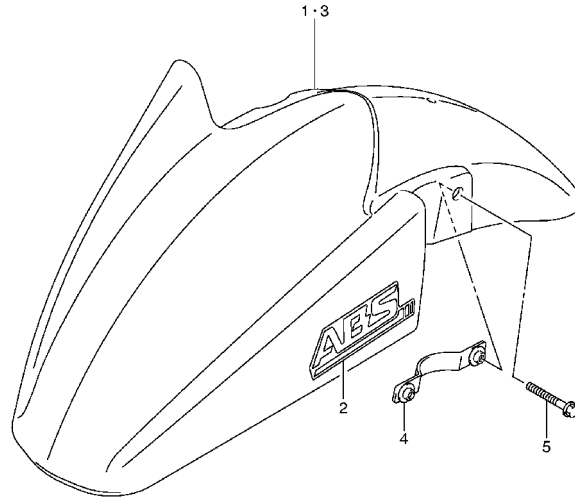
## Part List

DP041529.TIF GSF1250SK7(E2) K7 2007 / HEADLAMP HOUSING (GSF1250/A)

REF NO	PART NO	DESCRIPTION	QTY	KIT	NOTES
1	51800-38G00-000	HOUSING ASSY, HEADLAMP	1		
2	51814-31F00-000	PLATE	1	*	
3	02112-0540B-000	SCREW, ADJUSTER	1	*	
4	51837-25D00-000	SPRING	1	*	
5	51825-25D00-000	NUT	1	*	
6	09320-12065-000	CUSHION	4	*	
7	09180-08217-000	SPACER	2	*	
8	09103-08391-000	BOLT	2		
9	08316-1008B-000	NUT	2		
10	01550-0512B-000	BOLT, PLATE	2		
11	51815-38G20-YAY	COVER, HOUSING (BLACK)	1		
11	51815-38G20-YHL	COVER, HOUSING (RED)	1		
11	51815-38G20-YLE	COVER, HOUSING (BLUE)	1		MODEL K7
11	51815-38G20-YBA	COVER, HOUSING (BLUE)	1		MODEL K8
11	51815-38G20-YHG	COVER, HOUSING (GRAY)	1		MODEL K8
12	09139-06126-000	SCREW	4		
13	09320-09016-000	CUSHION	4		

DP043340.TIF GSF1250SK7(E2) K7 2007 / FRONT FENDER

**FIG.47**



GSF1250AK7 E02\_047  
FRONT FENDER-C

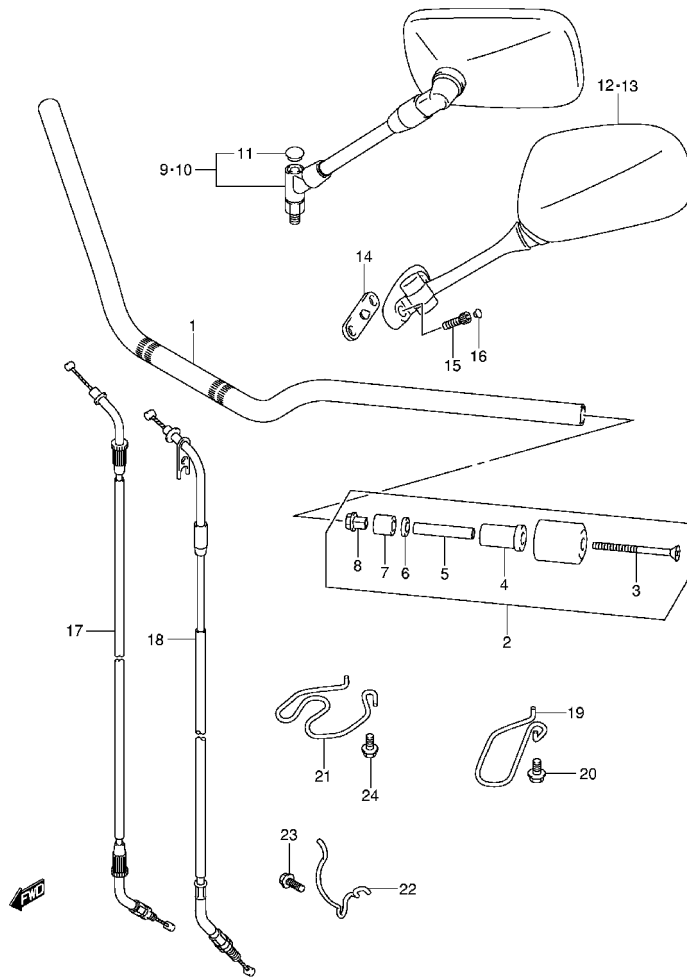
## Part List

DP043340.TIF GSF1250SK7(E2) K7 2007 / FRONT FENDER

REF NO	PART NO	DESCRIPTION	QTY	KIT	NOTES
1	53110-38G01-YAY	FENDER, FRONT (BLACK)	1		GSF1250A/SA
1	53110-38G01-YHL	FENDER, FRONT (RED)	1		GSF1250A/SA
1	53110-38G01-YLE	FENDER, FRONT (BLUE)	1		GSF1250AK7/SAK7
1	53110-38G01-YBA	FENDER, FRONT (BLUE)	1		GSF1250AK8/SAK8
1	53110-38G01-YHG	FENDER, FRONT (GRAY)	1		GSF1250AK8/SAK8
2	68151-38G00-Y4P	EMBLEM, "ABS"	2	*	GSF1250A/SA
2	68151-38G00-YAD	EMBLEM, "ABS"	2	*	GSF1250AK8/SAK8 FOR YHG
3	53111-38G01-YAY	FENDER, FRONT (BLACK)	1		GSF1250/S
3	53111-38G01-YHL	FENDER, FRONT (RED)	1		GSF1250/S
3	53111-38G01-YLE	FENDER, FRONT (BLUE)	1		GSF1250K7/SK7
3	53111-38G01-YBA	FENDER, FRONT (BLUE)	1		GSF1250K8/SK8
3	53111-38G01-YHG	FENDER, FRONT (GRAY)	1		GSF1250K8/SK8
4	53120-38G00-000	PLATE, FENDER	2		
5	09103-06214-000	BOLT	4		

DP041210.TIF GSF1250SK7(E2) K7 2007 / HANDLEBAR

FIG.48



GSF1250AK7 E02\_048  
HANDLEBAR-C

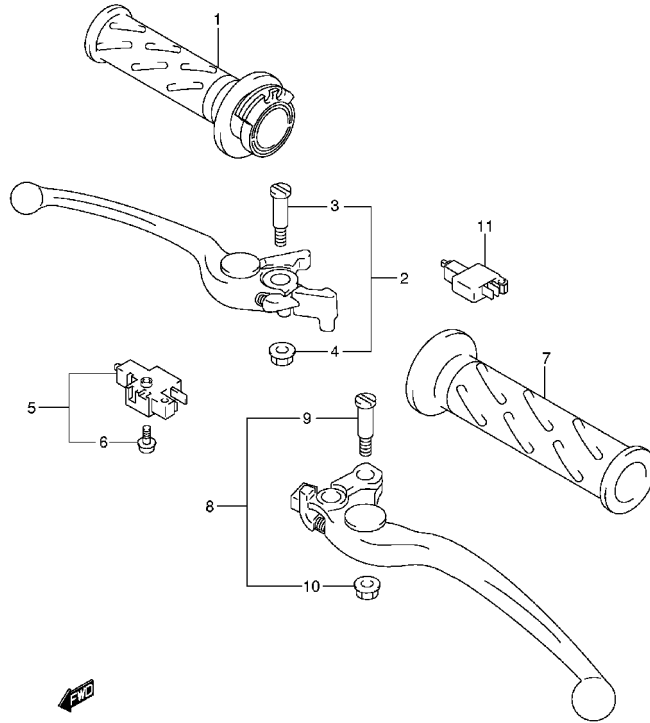
## Part List

DP041210.TIF GSF1250SK7(E2) K7 2007 / HANDLEBAR

REF NO	PART NO	DESCRIPTION	QTY	KIT	NOTES
1	56111-49G00-000	HANDLEBAR	1		
2	56200-38822-000	BALANCER SET, HANDLEBAR	2		
3	09127-06018-000	SCREW	2	*	
4	56272-19D00-000	EXPANDER, OUTER	2	*	
5	56276-17D00-000	SPACER	2	*	
6	09160-06131-000	WASHER	2	*	
7	56272-10G00-000	EXPANDER, INNER	2	*	
8	56273-10G10-000	NUT	2	*	
9	56500-03FF0-000	MIRROR, REAR VIEW RH	1		GSF1250/A
10	56600-03FF0-000	MIRROR, REAR VIEW LH	1		GSF1250/A
11	56524-28601-000	CAP	2	*	GSF1250/A
12	56500-38G21-000	MIRROR, REAR VIEW RH	1		GSF1250SA/S
13	56600-38G21-000	MIRROR, REAR VIEW LH	1		GSF1250SA/S
14	94576-24F00-000	CUSHION	2		GSF1250SA/S
15	07130-0616B-000	BOLT	4		GSF1250SA/S
16	09250-05009-000	CAP	4		GSF1250SA/S
17	58300-18H00-000	CABLE ASSY, THROTTLE NO.1	1		GSF1250/A
17	58300-18H20-000	CABLE ASSY, THROTTLE NO.1	1		GSF1250SA/S
18	58300-18H10-000	CABLE ASSY, THROTTLE NO.2	1		GSF1250/A
18	58300-18H30-000	CABLE ASSY, THROTTLE NO.2	1		GSF1250SA/S
19	58631-38G00-000	GUIDE, THROTTLE CABLE	1		GSF1250SA/S
20	02142-0510A-000	SCREW	1		
21	58621-18H00-000	GUIDE, THROTTLE CABLE	1		GSF1250SA/S
22	58622-38G00-000	GUIDE, CABLE	1		
23	01550-0620A-000	BOLT, GUIDE RH	1		
24	01550-0612A-000	BOLT, GUIDE	2		

DP040915.TIF GSF1250SK7(E2) K7 2007 / HANDLE LEVER

**FIG.49**



GSF1250AK7 E02\_049  
HANDLE LEVER-C

## Part List

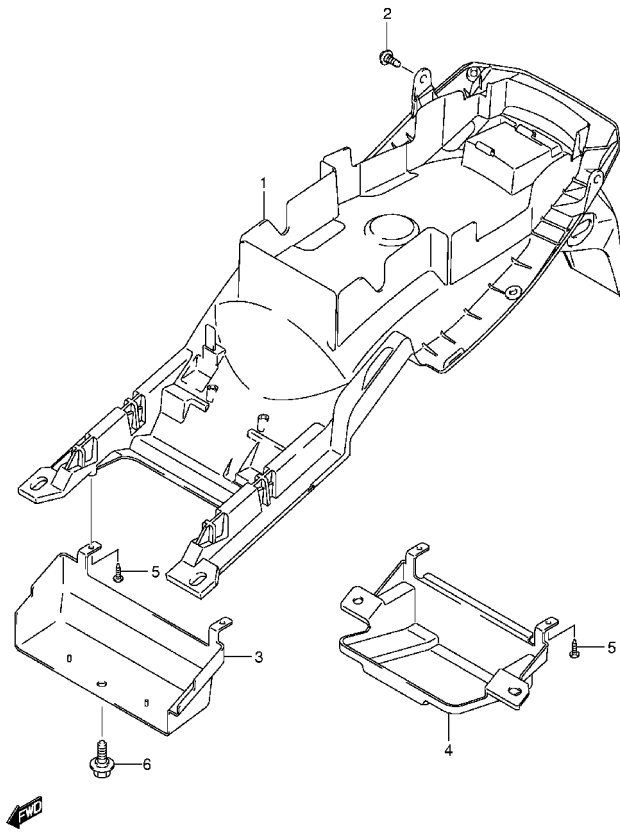
DP040915.TIF GSF1250SK7(E2) K7 2007 / HANDLE LEVER

REF NO	PART NO	DESCRIPTION	QTY	KIT	NOTES
1	57110-29G00-000	GRIP, THROTTLE	1		
2	57300-10G30-000	LEVER ASSY, BRAKE	1		GSF1250A/SA
2	57300-44G10-000	LEVER ASSY, BRAKE	1		GSF1250/S
3	57431-17H00-000	BOLT	1	*	
4	08319-2106A-000	NUT	1	*	
5	57460-17C11-000	SWITCH ASSY, STOP	1		
6	57465-17C00-000	SCREW	1	*	
7	57211-22D01-000	GRIP, LH	1		
8	57500-24F10-000	LEVER ASSY, CLUTCH	1		
9	57431-17H00-000	BOLT	1	*	
10	08316-1006A-000	NUT	1	*	
11	57560-02FA0-000	SWITCH ASSY, CLUTCH	1		



DP043545.TIF GSF1250SK7(E2) K7 2007 / REAR FENDER

**FIG.50**



GSF1250AK7 E02\_050  
REAR FENDER-C

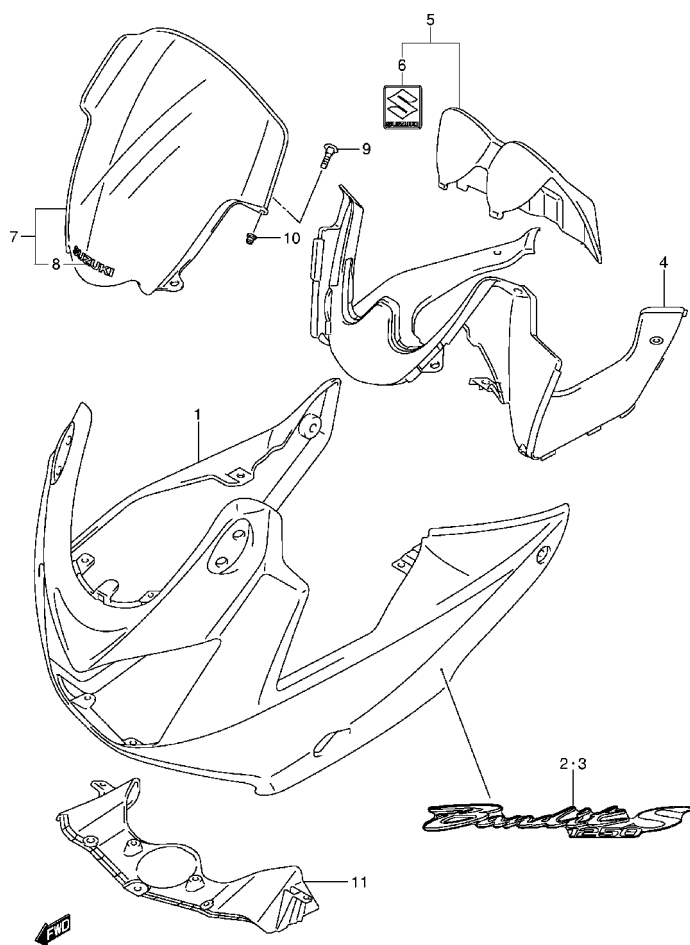
## Part List

DP043545.TIF GSF1250SK7(E2) K7 2007 / REAR FENDER

REF NO	PART NO	DESCRIPTION	QTY	KIT	NOTES
1	63111-38GB0-5PK	FENDER, REAR (BLACK)	1		
2	63161-43E00-000	BOLT, REAR	2		
3	55667-38G01-000	COVER, FENDER LOWER	1		GSF1250A/SA
4	55667-49G00-000	COVER, FENDER LOWER	1		GSF1250/S
5	03541-0516B-000	SCREW	2		
6	09111-06065-000	BOLT, CENTER	1		

DP042370.TIF GSF1250SK7(E2) K7 2007 / COWLING (GSF1250SK7/SAK7)

FIG.51



GSF1250AK7 E02\_051  
COWLING BODY-C

## Part List

DP042370.TIF GSF1250SK7(E2) K7 2007 / COWLING (GSF1250SK7/SAK7)

REF NO	PART NO	DESCRIPTION	QTY	KIT	NOTES
1	94410-18H00-YAY	COWLING, BODY (BLACK)	1		
1	94410-18H00-YHL	COWLING, BODY (RED)	1		
1	94410-18H00-YLE	COWLING, BODY (BLUE)	1		
2	68271-18H00-EFC	EMBLEM, SIDE RH	1	*	FOR YAY
2	68271-18H00-EFD	EMBLEM, SIDE RH	1	*	FOR YHL
2	68271-18H00-EFE	EMBLEM, SIDE RH	1	*	FOR YLE
3	68281-18H00-EFC	EMBLEM, SIDE LH	1	*	FOR YAY
3	68281-18H00-EFD	EMBLEM, SIDE LH	1	*	FOR YHL
3	68281-18H00-EFE	EMBLEM, SIDE LH	1	*	FOR YLE
4	94641-38G00-000	PANEL, METER	1		
5	94650-38G00-000	LID, METER PANEL	1		
6	68281-35F00-000	EMBLEM	1	*	
7	94610-38G00-YD8	WINDSCREEN (SILVER)	1		
8	68275-38G00-YD8	EMBLEM (SILVER)	1	*	
9	09139-05504-000	SCREW	4		
10	09159-05048-000	NUT	4		
11	94461-38G00-000	COVER, INNER	1		

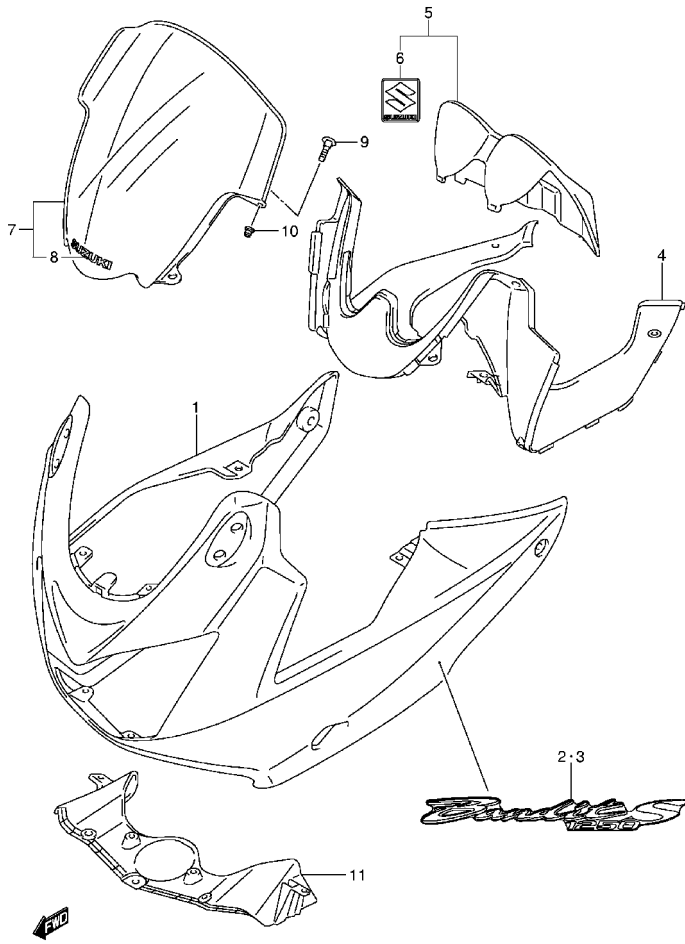
## Page Notes

DP042370.TIF GSF1250SK7(E2) K7 2007 / COWLING (GSF1250SK7/SAK7)

NOTE TEXT
OEM: REFER TO FIG.51A(G- 3) FOR GSF1250SK8/SAK8

DP046118.TIF GSF1250SK7(E2) K7 2007 / COWLING (GSF1250SK8/SAK8)

FIG.51A



GSF1250AK7 E02\_051A  
COWLING BODY-C

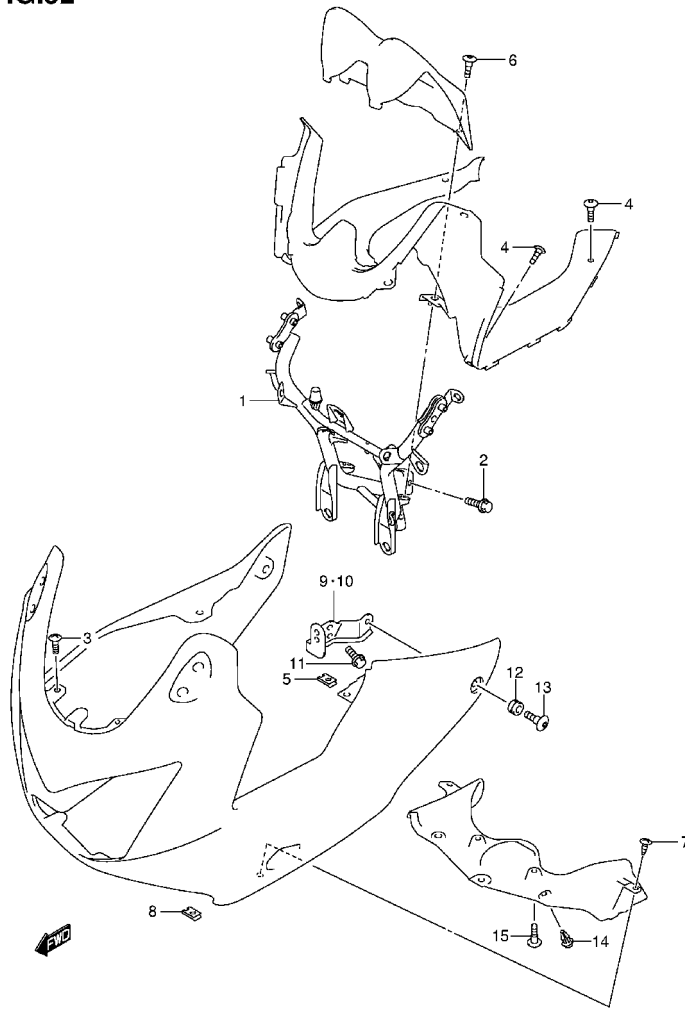
## Part List

DP046118.TIF GSF1250SK7(E2) K7 2007 / COWLING (GSF1250SK8/SAK8)

REF NO	PART NO	DESCRIPTION	QTY	KIT	NOTES
1	94410-18H01-4EX	COWLING, BODY (BLACK)	1		FOR YAY
1	94410-18H01-YBA	COWLING, BODY (BLUE)	1		FOR YBA
1	94410-18H01-YHG	COWLING, BODY (GRAY)	1		FOR YHG
1	94410-18H01-5HX	COWLING, BODY (RED)	1		FOR YHL
2	68271-18H00-FFK	EMBLEM, SIDE RH	1	*	FOR 4EX
2	68271-18H00-FFL	EMBLEM, SIDE RH	1	*	FOR YBA
2	68271-18H00-FFM	EMBLEM, SIDE RH	1	*	FOR YHG
2	68271-18H00-FFN	EMBLEM, SIDE RH	1	*	FOR 5HX
3	68281-18H00-FFK	EMBLEM, SIDE LH	1	*	FOR 4EX
3	68281-18H00-FFL	EMBLEM, SIDE LH	1	*	FOR YBA
3	68281-18H00-FFM	EMBLEM, SIDE LH	1	*	FOR YHG
3	68281-18H00-FFN	EMBLEM, SIDE LH	1	*	FOR 5HX
4	94641-38G00-000	PANEL, METER	1		
5	94650-38G00-000	LID, METER PANEL	1		
6	68281-35F00-000	EMBLEM	1	*	
7	94610-38G00-YD8	WINDSCREEN (SILVER)	1		
8	68275-38G00-YD8	EMBLEM (SILVER)	1	*	
9	09139-05504-000	SCREW	4		
10	09159-05048-000	NUT	4		
11	94461-38G00-000	COVER, INNER	1		

DP043444.TIF GSF1250SK7(E2) K7 2007 / COWLING INSTALLATION PARTS (GSF1250S/SA)

**FIG.52**



GSF1250AK7 E02\_052  
INSTALLATION PARTS-C

## Part List

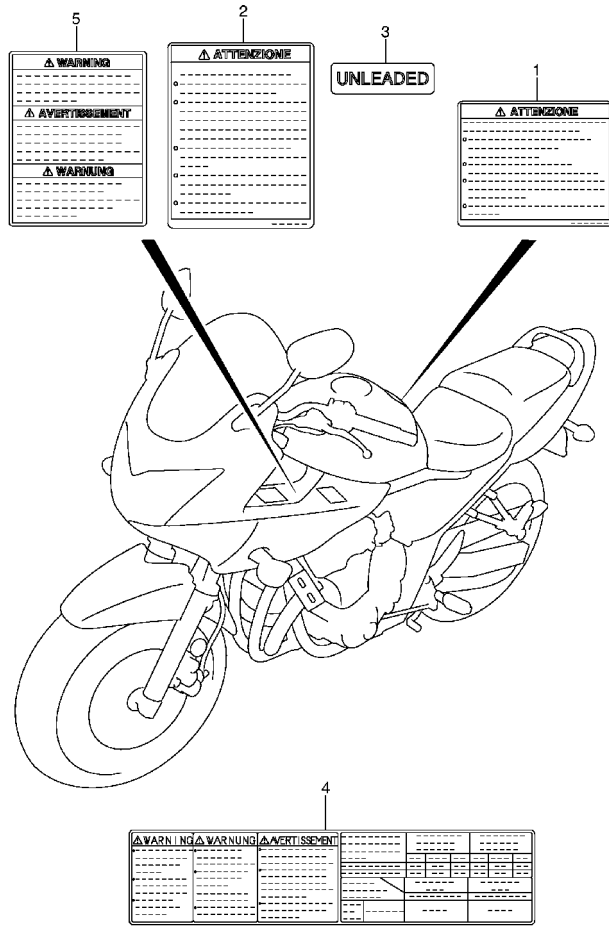
DP043444.TIF GSF1250SK7(E2) K7 2007 / COWLING INSTALLATION PARTS (GSF1250S/SA)

REF NO	PART NO	DESCRIPTION	QTY	KIT	NOTES
1	94510-49G01-000	BRACE, COWLING	1		
2	01550-0816B-000	BOLT	2		
3	02162-0516B-000	SCREW, FRONT	2		
4	09139-05503-000	SCREW, METER PANEL SIDE	4		
5	94484-24F00-000	NUT, PANEL	4		
6	09139-05504-000	SCREW, LID	2		
7	03241-0512B-000	SCREW, INNER COVER	2		
8	09148-05038-000	NUT	2		
9	94530-18H00-000	BRACKET, SIDE COWL RH	1		
10	94540-18H00-000	BRACKET, SIDE COWL LH	1		
11	01550-0612B-000	BOLT, BRACKET	2		
12	09320-09016-000	CUSHION, SIDE COWL	2		
13	09139-06126-000	SCREW, SIDE COWL	2		
14	09409-06314-5PK	CLIP, INNER COVER (BLACK)	2		
15	09139-05074-000	SCREW, LOWER	2		



DP041909.TIF GSF1250SK7(E2) K7 2007 / LABEL (MODEL K7)

FIG.53



GSF1250AK7 E02\_053  
LABEL-C

Part List

DP041909.TIF GSF1250SK7(E2) K7 2007 / LABEL (MODEL K7)

REF NO	PART NO	DESCRIPTION	QTY	KIT	NOTES
1	68319-29F00-000	LABEL, WARNING (ENGLISH)	1		E2,E19,E24
1	68319-29F20-000	LABEL, WARNING (GERMAN)	1		E19
1	68319-29F30-000	LABEL, WARNING (FRENCH)	1		E19
1	68319-29F40-000	LABEL, WARNING (ITALIAN)	1		E19
1	68319-29F50-000	LABEL, WARNING (SPANISH)	1		E19
1	68319-29F70-000	LABEL, WARNING (DUTCH)	1		E19
1	68319-29F80-000	LABEL, WARNING (PORTUGUESE)	1		E19,P37
1	68319-30F40-000	LABEL, WARNING (ITALIAN)	1		E19
1	68319-29F90-000	LABEL, WARNING (SWEDISH)	1		E19
1	68319-29FA0-000	LABEL, WARNING (FINNISH)	1		E19
1	68319-29FB0-000	LABEL, WARNING (NORWEGIAN)	1		E19
1	68319-29FC0-000	LABEL, WARNING (DANISH)	1		E19
1	68319-30F90-000	LABEL, WARNING (SWEDISH)	1		E19
2	68922-29F00-000	LABEL, SCREEN (ENGLISH)	1		GSF1250SA/S E2,E19,E24
2	68922-29F20-000	LABEL, SCREEN (GERMAN)	1		GSF1250SA/S E19
2	68922-29F30-000	LABEL, SCREEN (FRENCH)	1		GSF1250SA/S E19
2	68922-29F40-000	LABEL, SCREEN (ITALIAN)	1		GSF1250SA/S E19
2	68922-29F50-000	LABEL, SCREEN (SPANISH)	1		GSF1250SA/S E19
2	68922-29F70-000	LABEL, SCREEN (DUTCH)	1		GSF1250SA/S E19
2	68922-29F80-000	LABEL, SCREEN (PORTUGUESE)	1		GSF1250SA/S E19
2	68922-14F40-000	LABEL, SCREEN (ITALIAN)	1		GSF1250SA/S E19
2	68922-29F90-000	LABEL, SCREEN (SWEDISH)	1		GSF1250SA/S E19
2	68922-29FA0-000	LABEL, SCREEN (FINNISH)	1		GSF1250SA/S E19
2	68922-29FB0-000	LABEL, SCREEN (NORWEGIAN)	1		GSF1250SA/S E19
2	68922-29FC0-000	LABEL, SCREEN (DANISH)	1		GSF1250SA/S E19
2	68922-14F90-000	LABEL, SCREEN (SWEDISH)	1		GSF1250SA/S E19
2	68922-29F80-000	LABEL, SCREEN (PORTUGUESE)	1		GSF1250S P37
3	68623-17D00-000	LABEL, FUEL	1		E2
3	86932-73060-000	LABEL, FUEL	1		E24
4	68332-49GA0-000	LABEL, TIRE INFORMATION	1		
5	68613-24F00-000	LABEL, STEERING	1		GSF1250SA
6	99011-18H60-01A	MANUAL, OWNER'S	1		GSF1250A/SA E2,E19,E24
6	99011-18H60-01K	MANUAL, OWNER'S	1		GSF1250A/SA E19
6	99011-18H60-01F	MANUAL, OWNER'S	1		GSF1250A/SA E19
6	99011-18H60-01W	MANUAL, OWNER'S	1		GSF1250A/SA E19
6	99011-18H60-01E	MANUAL, OWNER'S	1		GSF1250A/SA E19
6	99011-18H60-01H	MANUAL, OWNER'S	1		GSF1250A/SA E19
6	99011-18H60-029	MANUAL, OWNER'S	1		GSF1250A/SA E19
6	99011-18H50-01A	MANUAL, OWNER'S	1		GSF1250/S E2,E19
6	99011-18H50-01K	MANUAL, OWNER'S	1		GSF1250/S E19
6	99011-18H50-01F	MANUAL, OWNER'S	1		GSF1250/S E19
6	99011-18H50-01W	MANUAL, OWNER'S	1		GSF1250/S E19
6	99011-18H50-01E	MANUAL, OWNER'S	1		GSF1250/S E19
6	99011-18H50-01H	MANUAL, OWNER'S	1		GSF1250/S E19
6	99011-18H50-029	MANUAL, OWNER'S	1		GSF1250/S E19
6	99011-18H50-057	MANUAL, OWNER'S	1		GSF1250/S P37, DRAWING NOT SHOWN

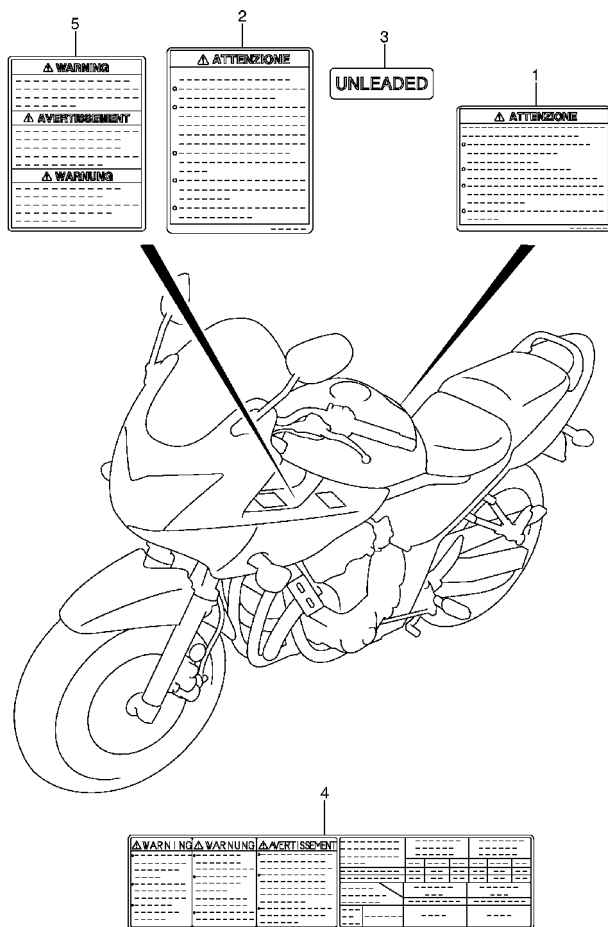
Page Notes

DP041909.TIF GSF1250SK7(E2) K7 2007 / LABEL (MODEL K7)

NOTE TEXT
OEM: REFER TO FIG.53A(G- 7) FOR MODEL K8
OEM: REFER TO FIG.53A(G- 7) FOR MODEL K8

DP045877.TIF GSF1250SK7(E2) K7 2007 / LABEL (MODEL K8)

FIG.53A



GSF1250AK7 E02\_053A  
LABEL-C

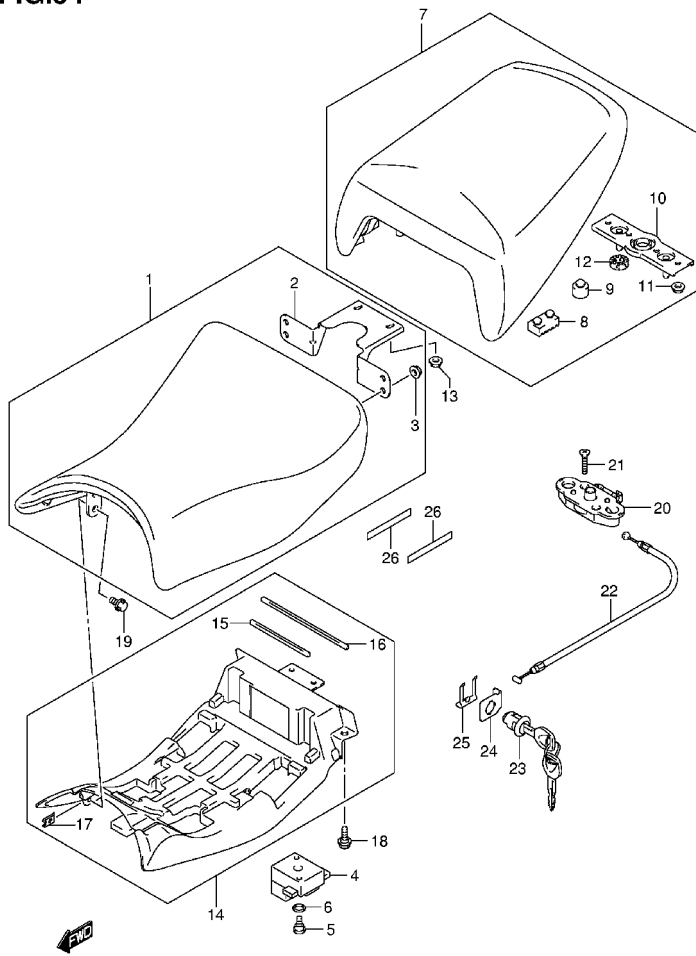
## Part List

DP045877.TIF GSF1250SK7(E2) K7 2007 / LABEL (MODEL K8)

REF NO	PART NO	DESCRIPTION	QTY	KIT	NOTES
1	68319-29F00-000	LABEL, WARNING (ENGLISH)	1		E2,E19,E24
1	68319-29F20-000	LABEL, WARNING (GERMAN)	1		E19
1	68319-29F30-000	LABEL, WARNING (FRENCH)	1		E19
1	68319-29F40-000	LABEL, WARNING (ITALIAN)	1		E19
1	68319-29F50-000	LABEL, WARNING (SPANISH)	1		E19
1	68319-29F70-000	LABEL, WARNING (DUTCH)	1		E19
1	68319-29F80-000	LABEL, WARNING (PORTUGUESE)	1		E19
1	68319-30F40-000	LABEL, WARNING (ITALIAN)	1		E19
1	68319-29F90-000	LABEL, WARNING (SWEDISH)	1		E19
1	68319-29FA0-000	LABEL, WARNING (FINNISH)	1		E19
1	68319-29FB0-000	LABEL, WARNING (NORWEGIAN)	1		E19
1	68319-29FC0-000	LABEL, WARNING (DANISH)	1		E19
1	68319-30F90-000	LABEL, WARNING (SWEDISH)	1		E19
2	68922-29F00-000	LABEL, SCREEN (ENGLISH)	1		GSF1250SA/S E2,E19,E24
2	68922-29F20-000	LABEL, SCREEN (GERMAN)	1		GSF1250SA/S E19
2	68922-29F30-000	LABEL, SCREEN (FRENCH)	1		GSF1250SA/S E19
2	68922-29F40-000	LABEL, SCREEN (ITALIAN)	1		GSF1250SA/S E19
2	68922-29F50-000	LABEL, SCREEN (SPANISH)	1		GSF1250SA/S E19
2	68922-29F70-000	LABEL, SCREEN (DUTCH)	1		GSF1250SA/S E19
2	68922-29F80-000	LABEL, SCREEN (PORTUGUESE)	1		GSF1250SA/S E19
2	68922-14F40-000	LABEL, SCREEN (ITALIAN)	1		GSF1250SA/S E19
2	68922-29F90-000	LABEL, SCREEN (SWEDISH)	1		GSF1250SA/S E19
2	68922-29FA0-000	LABEL, SCREEN (FINNISH)	1		GSF1250SA/S E19
2	68922-29FB0-000	LABEL, SCREEN (NORWEGIAN)	1		GSF1250SA/S E19
2	68922-29FC0-000	LABEL, SCREEN (DANISH)	1		GSF1250SA/S E19
2	68922-14F90-000	LABEL, SCREEN (SWEDISH)	1		GSF1250SA/S E19
3	68623-17D00-000	LABEL, FUEL	1		E2
3	86932-73060-000	LABEL, FUEL	1		E24
4	68332-49GA0-000	LABEL, TIRE INFORMATION	1		
5	68613-24F00-000	LABEL, STEERING	1		GSF1250SA
6	99011-18H61-01A	MANUAL, OWNER'S	1		GSF1250A/SA E2,E19,E24
6	99011-18H61-01K	MANUAL, OWNER'S	1		GSF1250A/SA E19
6	99011-18H61-01F	MANUAL, OWNER'S	1		GSF1250A/SA E19
6	99011-18H61-01W	MANUAL, OWNER'S	1		GSF1250A/SA E19
6	99011-18H61-01E	MANUAL, OWNER'S	1		GSF1250A/SA E19
6	99011-18H61-01H	MANUAL, OWNER'S	1		GSF1250A/SA E19
6	99011-18H61-029	MANUAL, OWNER'S	1		GSF1250A/SA E19
6	99011-18H61-01T	MANUAL, OWNER'S	1		GSF1250A/SA E19
6	99011-18H51-01A	MANUAL, OWNER'S	1		GSF1250/S E2,E19
6	99011-18H51-01K	MANUAL, OWNER'S	1		GSF1250/S E19
6	99011-18H51-01F	MANUAL, OWNER'S	1		GSF1250/S E19
6	99011-18H51-01W	MANUAL, OWNER'S	1		GSF1250/S E19
6	99011-18H51-01E	MANUAL, OWNER'S	1		GSF1250/S E19
6	99011-18H51-01H	MANUAL, OWNER'S	1		GSF1250/S E19
6	99011-18H51-029	MANUAL, OWNER'S	1		GSF1250/S E19
6	99011-18H51-01T	MANUAL, OWNER'S	1		GSF1250/S E19, DRAWING NOT SHOWN

DP042252.TIF GSF1250SK7(E2) K7 2007 / SEAT

FIG.54



GSF1250AK7 E02\_054  
SEAT-C

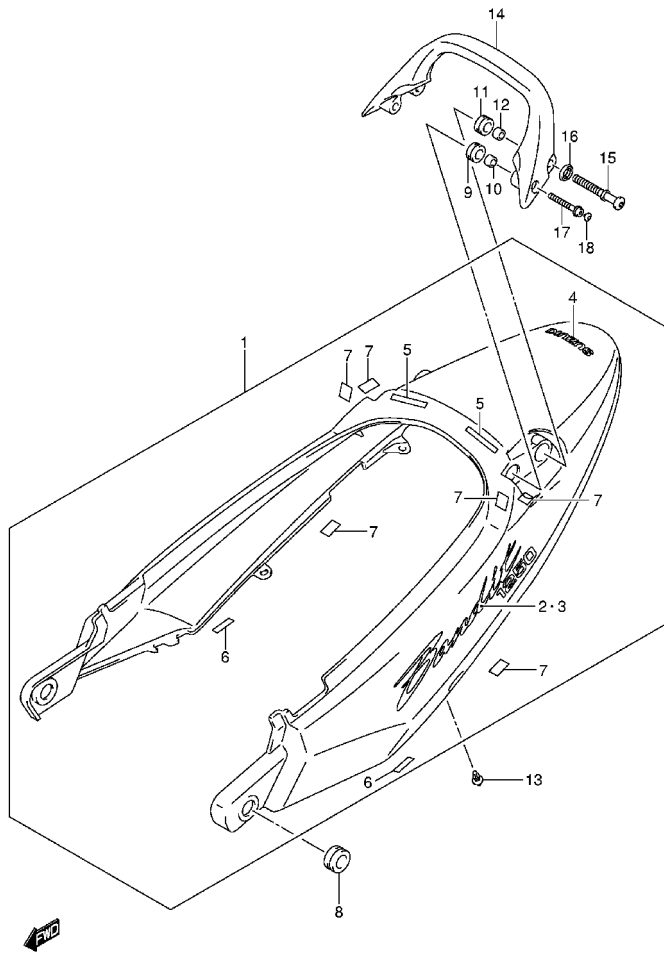
## Part List

DP042252.TIF GSF1250SK7(E2) K7 2007 / SEAT

REF NO	PART NO	DESCRIPTION	QTY	KIT	NOTES
1	45100-38G11-DKD	SEAT ASSY	1		
2	45115-38G00-000	BRACKET	1	*	
3	08319-3106A-000	NUT	2	*	
4	45149-38G00-000	CUSHION	4		
5	09139-06133-000	SCREW, SEAT CUSHION	4		
6	09160-10121-000	WASHER, SEAT CUSHION	4		
7	45300-38G10-W05	SEAT ASSY, PILLION	1		
8	45149-42F00-000	CUSHION, FRONT	2	*	
9	09321-10011-000	CUSHION	2	*	
10	45290-42F01-000	STRIKER	1	*	
11	08319-3106B-000	NUT	2	*	
12	45213-31300-000	CUSHION	2	*	
13	08319-3106B-000	NUT	2		
14	45410-38G03-291	COVER, SEAT LOWER	1		
15	45412-38G00-000	CUSHION, SEAT LOWER COVER FR	1	*	
16	45413-38G00-000	CUSHION, SEAT LOWER COVER RR	1	*	
17	09148-06018-000	NUT	2	*	
18	09111-06066-000	SCREW, SEAT LOWER COVER	2		
19	01550-0612B-000	BOLT, SEAT LOWER COVER FR	2		
20	45220-20A01-000	BRACKET, SEAT SUPPORT	1		
21	02122-0630B-000	SCREW	2		
22	45280-33400-000	CABLE, SEAT LOCK	1		
23	95700-14810-000	LOCK SET, SEAT	1		
24	45288-14F00-000	GUIDE, SEAT LOCK CABLE	1		
25	45289-11F00-000	PLATE, SEAT LOCK	1		
26	45414-38G00-000	TAPE, SEAT LOWER COVER	2		

DP041863.TIF GSF1250SK7(E2) K7 2007 / SEAT TAIL COVER (GSF1250K7/AK7)

FIG.55



GSF1250AK7 E02\_055  
SEAT TAIL COVER-C

## Part List

DP041863.TIF GSF1250SK7(E2) K7 2007 / SEAT TAIL COVER (GSF1250K7/AK7)

REF NO	PART NO	DESCRIPTION	QTY	KIT	NOTES
1	45500-18H00-YAY	COVER ASSY, SEAT TAIL (BLACK)	1		
1	45500-18H00-YHL	COVER ASSY, SEAT TAIL (RED)	1		
1	45500-18H00-YLE	COVER ASSY, SEAT TAIL (BLUE)	1		
2	68161-18H00-EEZ	EMBLEM, SEAT TAIL COVER, R	1	*	FOR YAY
2	68161-18H00-EFA	EMBLEM, SEAT TAIL COVER, R	1	*	FOR YHL
2	68161-18H00-EFB	EMBLEM, SEAT TAIL COVER, R	1	*	FOR YLE
3	68171-18H00-EEZ	EMBLEM, SEAT TAIL COVER, L	1	*	FOR YAY
3	68171-18H00-EFA	EMBLEM, SEAT TAIL COVER, L	1	*	FOR YHL
3	68171-18H00-EFB	EMBLEM, SEAT TAIL COVER, L	1	*	FOR YLE
4	68281-01H00-YD8	EMBLEM, "SUZUKI"	1	*	
5	45516-42F00-000	TAPE, SEAT TAIL COVER RR NO.1	2	*	
6	45517-16G00-000	TAPE, SEAT TAIL COVER LOWER	2	*	
7	47161-10D00-000	TAPE, SEAT TAIL COVER RR NO.2	6	*	
8	09320-08047-000	CUSHION, SEAT TAIL COVER FR	2		
9	09320-12068-000	CUSHION, SEAT TAIL COVER FR	2		
10	09180-06300-000	SPACER, TAIL COVER RR FR	2		
11	09320-14023-000	CUSHION, TAIL COVER RR RR	2		
12	09180-08199-000	SPACER, TAIL COVER RR RR	2		
13	09409-06314-5PK	CLIP	4		
14	46211-32F00-YAY	HANDLE, PILLION RIDER (BLACK)	1		
14	46211-32F00-YHL	HANDLE, PILLION RIDER (RED)	1		
14	46211-32F00-YLE	HANDLE, PILLION RIDER (BLUE)	1		
15	46316-31F00-000	HOOK, PILLION RIDER HANDLE	2		
16	46317-31F00-000	WASHER, HOOK	2		
17	07120-0645B-000	BOLT	2		
18	09250-05009-000	CAP	2		

## Page Notes

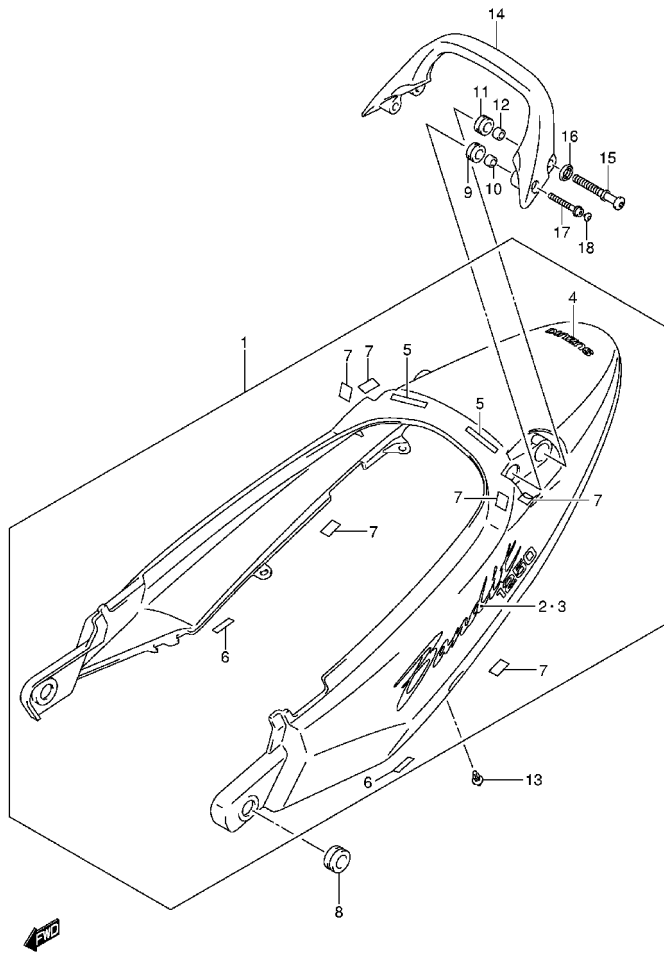
DP041863.TIF GSF1250SK7(E2) K7 2007 / SEAT TAIL COVER (GSF1250K7/AK7)

NOTE TEXT
OEM: REFER TO FIG.55A(G-11) FOR GSF1250K8/AK8
OEM: REFER TO FIG.56 (G-12) FOR GSF1250SK7/SAK7



DP045838.TIF GSF1250SK7(E2) K7 2007 / SEAT TAIL COVER (GSF1250K8/AK8)

FIG.55A



GSF1250AK7 E02\_055A  
SEAT TAIL COVER-C

## Part List

DP045838.TIF GSF1250SK7(E2) K7 2007 / SEAT TAIL COVER (GSF1250K8/AK8)

REF NO	PART NO	DESCRIPTION	QTY	KIT	NOTES
1	45500-18H00-4EX	COVER ASSY, SEAT TAIL (BLACK)	1		FOR YAY
1	45500-18H00-YBA	COVER ASSY, SEAT TAIL (BLUE)	1		FOR YBA
1	45500-18H00-YHG	COVER ASSY, SEAT TAIL (GRAY)	1		FOR YHG
1	45500-18H00-5HX	COVER ASSY, SEAT TAIL (RED)	1		FOR YHL
2	68161-18H00-FFK	EMBLEM, SEAT TAIL COVER, R	1	*	FOR 4EX
2	68161-18H00-FFL	EMBLEM, SEAT TAIL COVER, R	1	*	FOR YBA
2	68161-18H00-FFM	EMBLEM, SEAT TAIL COVER, R	1	*	FOR YHG
2	68161-18H00-FFN	EMBLEM, SEAT TAIL COVER, R	1	*	FOR 5HX
3	68171-18H00-FFK	EMBLEM, SEAT TAIL COVER, L	1	*	FOR 4EX
3	68171-18H00-FFL	EMBLEM, SEAT TAIL COVER, L	1	*	FOR YBA
3	68171-18H00-FFM	EMBLEM, SEAT TAIL COVER, L	1	*	FOR YHG
3	68171-18H00-FFN	EMBLEM, SEAT TAIL COVER, L	1	*	FOR 5HX
4	68281-01H00-YD8	EMBLEM, "SUZUKI"	1	*	
5	45516-42F00-000	TAPE, SEAT TAIL COVER RR NO.1	2	*	
6	45517-16G00-000	TAPE, SEAT TAIL COVER LOWER	2	*	
7	47161-10D00-000	TAPE, SEAT TAIL COVER RR NO.2	6	*	
8	09320-08047-000	CUSHION, SEAT TAIL COVER FR	2		
9	09320-12068-000	CUSHION, SEAT TAIL COVER FR	2		
10	09180-06300-000	SPACER, TAIL COVER RR FR	2		
11	09320-14023-000	CUSHION, TAIL COVER RR RR	2		
12	09180-08199-000	SPACER, TAIL COVER RR RR	2		
13	09409-06314-5PK	CLIP	4		
14	46211-32F00-YAY	HANDLE, PILLION RIDER (BLACK)	1		
14	46211-32F00-YBA	HANDLE, PILLION RIDER (BLUE)	1		
14	46211-32F00-YHG	HANDLE, PILLION RIDER (GRAY)	1		
14	46211-32F00-YHL	HANDLE, PILLION RIDER (RED)	1		
15	46316-31F00-000	HOOK, PILLION RIDER HANDLE	2		
16	46317-31F00-000	WASHER, HOOK	2		
17	07120-0645B-000	BOLT	2		
18	09250-05009-000	CAP	2		

## Page Notes

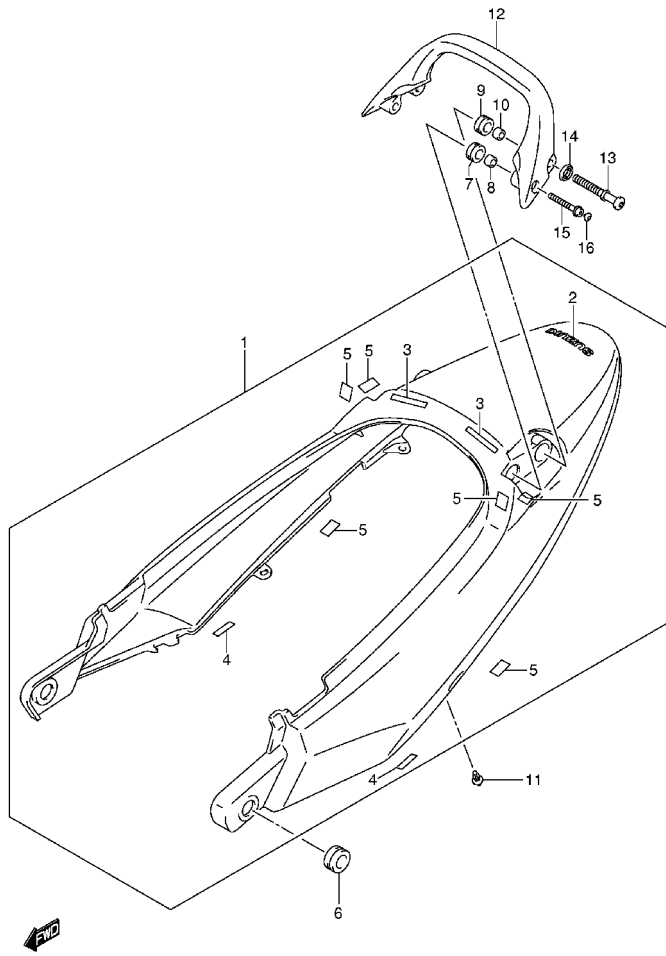
DP045838.TIF GSF1250SK7(E2) K7 2007 / SEAT TAIL COVER (GSF1250K8/AK8)

## NOTE TEXT

OEM: REFER TO FIG.56 (G-12) FOR GSF1250SK7/SAK7/SK8/SAK8

DP041647.TIF GSF1250SK7(E2) K7 2007 / SEAT TAIL COVER (GSF1250SK7/SAK7/SK8/SAK8)

FIG.56



GSF1250AK7 E02\_056  
SEAT TAIL COVER-C

## Part List

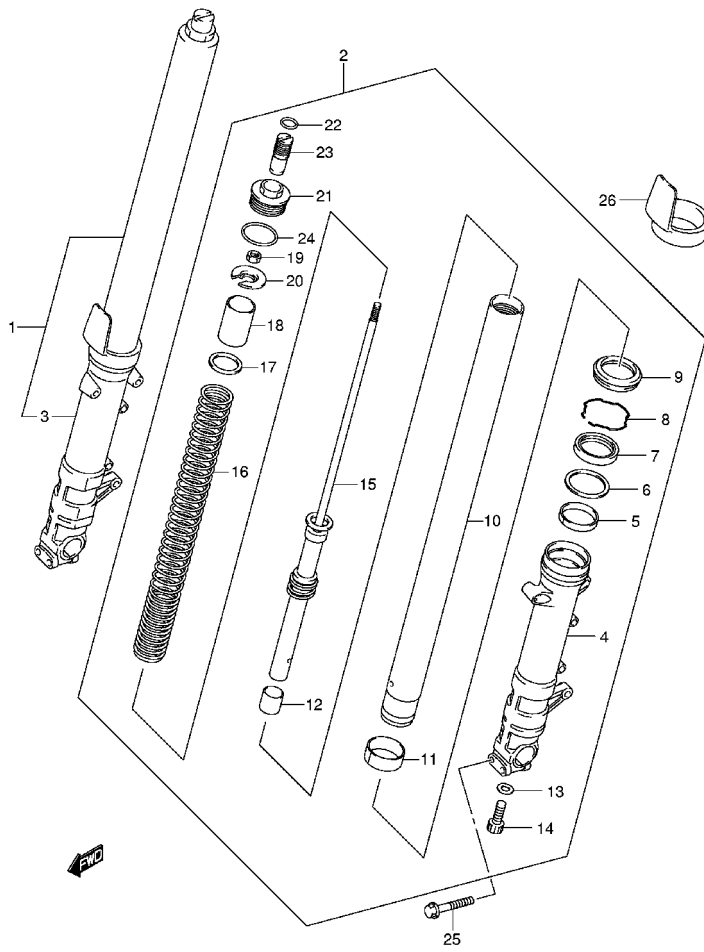
DP041647.TIF GSF1250SK7(E2) K7 2007 / SEAT TAIL COVER

(GSF1250SK7/SAK7/SK8/SAK8)

REF NO	PART NO	DESCRIPTION	QTY	KIT	NOTES
1	45500-38G12-YAY	COVER ASSY, SEAT TAIL (BLACK)	1		MODEL K7/K8 FOR YAY
1	45500-38G12-YHL	COVER ASSY, SEAT TAIL (RED)	1		MODEL K7/K8 FOR YHL
1	45500-38G12-YLE	COVER ASSY, SEAT TAIL (BLUE)	1		MODEL K7 FOR YLE
1	45500-38G12-YBA	COVER ASSY, SEAT TAIL (BLUE)	1		MODEL K8 FOR YBA
1	45500-38G12-5AX	COVER ASSY, SEAT TAIL (GRAY)	1		MODEL K8 FOR YHG
2	68280-04F00-YD8	EMBLEM, "SUZUKI"	1	*	
3	45516-42F00-000	TAPE, SET TAIL COVER RR NO.1	2	*	
4	45517-16G00-000	TAPE, SEAT TAIL COVER LOWER	2	*	
5	47161-10D00-000	TAPE, SEAT TAIL COVER RR NO.2	6	*	
6	09320-08047-000	CUSHION, SEAT TAIL COVER FR	2		
7	09320-12068-000	CUSHION, TAIL COVER RR FR	2		
8	09180-06300-000	SPACER, TAIL COVER RR FR	2		
9	09320-14023-000	CUSHION, TAIL COVER RR RR	2		
10	09180-08199-000	SPACER, TAIL COVER RR RR	2		
11	09409-06314-5PK	CLIP	4		
12	46211-32F00-YAY	HANDLE, PILLION RIDER (BLACK)	1		MODEL K7/K8
12	46211-32F00-YHL	HANDLE, PILLION RIDER (RED)	1		MODEL K7/K8
12	46211-32F00-YLE	HANDLE, PILLION RIDER (BLUE)	1		MODEL K7
12	46211-32F00-YBA	HANDLE, PILLION RIDER (BLUE)	1		MODEL K8
12	46211-32F00-YHG	HANDLE, PILLION RIDER (GRAY)	1		MODEL K8
13	46316-31F00-000	HOOK, PILLION RIDER HANDLE	2		
14	46317-31F00-000	WASHER, HOOK	2		
15	07120-0645B-000	BOLT	2		
16	09250-05009-000	CAP	2		

DP042327.TIF GSF1250SK7(E2) K7 2007 / FRONT DAMPER

**FIG.57**



GSF1250AK7 E02\_057  
FRONT FORK DAMPER-C

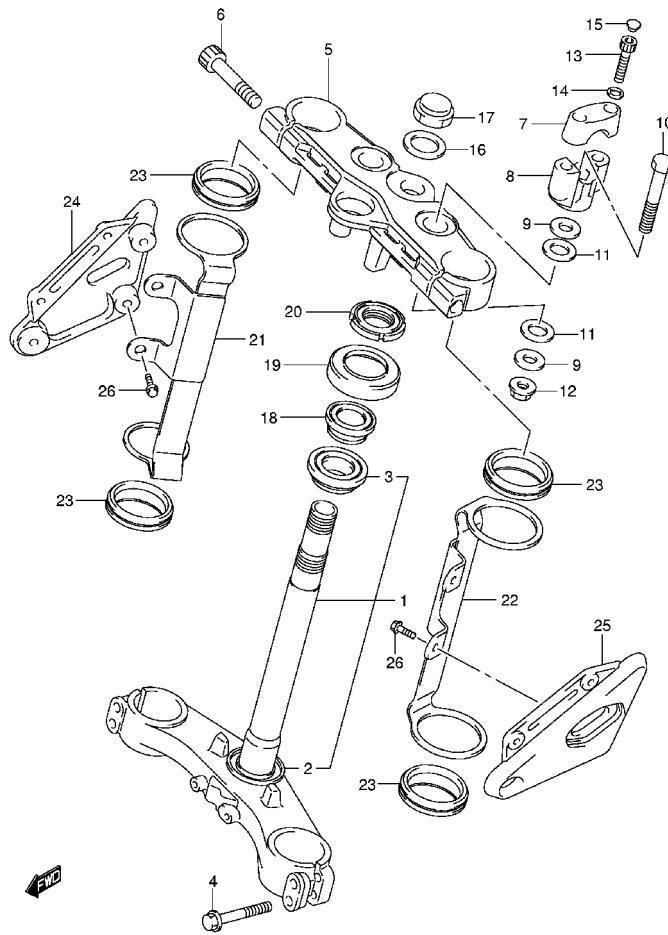
## Part List

DP042327.TIF GSF1250SK7(E2) K7 2007 / FRONT DAMPER

REF NO	PART NO	DESCRIPTION	QTY	KIT	NOTES
1	51103-49G70-000	DAMPER ASSY, FRONT FORK RH (SILVER)	1		GSF1250K7/AK7/K8/AK8
1	51103-49G90-000	DAMPER ASSY, FRONT FORK RH (BLACK)	1		GSF1250K7/AK7/K8/AK8
1	51103-49G80-000	DAMPER ASSY, FRONT FORK RH (SILVER)	1		GSF1250SK7/SAK7/SK8/SAK8
1	51103-49GA0-000	DAMPER ASSY, FRONT FORK RH (BLACK)	1		GSF1250SK7/SAK7/SK8/SAK8
2	51104-49G70-000	DAMPER ASSY, FRONT FORK LH (SILVER)	1		GSF1250K7/AK7/K8/AK8
2	51104-49G90-000	DAMPER ASSY, FRONT FORK LH (BLACK)	1		GSF1250K7/AK7/K8/AK8
2	51104-49G80-000	DAMPER ASSY, FRONT FORK LH (SILVER)	1		GSF1250SK7/SAK7/SK8/SAK8
2	51104-49GA0-000	DAMPER ASSY, FRONT FORK LH (BLACK)	1		GSF1250SK7/SAK7/SK8/SAK8
3	51131-49G70-000	TUBE, OUTER RH (SILVER)	1	*	
3	51131-49G90-000	TUBE, OUTER RH (BLACK)	1	*	
4	51141-49G70-000	TUBE, OUTER LH (SILVER)	1	*	
4	51141-49G90-000	TUBE, OUTER LH (BLACK)	1	*	
5	51152-03F00-000	BUSH, GUIDE	2	*	
6	51168-17C00-000	SPACER, SEAL	2	*	
7	51153-27G00-000	SEAL, OIL	2	*	
8	51556-38B00-000	RING, STOPPER	2	*	
9	51173-27G00-000	SEAL, DUST	2	*	
10	51110-49G00-000	TUBE, INNER	2	*	
11	51121-13E00-000	BUSH, SLIDE	2	*	
12	51195-31E00-000	PIECE, OIL LOCK	2	*	
13	51148-36011-000	GASKET	2	*	
14	51147-48130-000	BOLT	2	*	
15	52110-49G70-000	ROD, DAMPER	2	*	GSF1250K7/AK7/K8/AK8
15	52110-49G80-000	ROD, DAMPER	2	*	GSF1250SK7/SAK7/SK8/SAK8
16	51171-49G70-000	SPRING, FRONT	2	*	
17	51186-17C00-000	SEAT, SPRING LOWER	2	*	
18	51176-12C10-000	COLLAR, SPRING	2	*	
19	51827-27E00-000	NUT	2	*	
20	51172-17C00-000	SEAT, SPRING UPPER	2	*	
21	51189-14D00-000	BOLT, FORK	2	*	
22	09280-14011-000	O RING	2	*	
23	51185-31E00-000	ADJUSTER, SPRING	2	*	
24	51117-17C00-000	O RING	2	*	
25	51166-03FK0-000	BOLT	4		
26	51201-32F00-000	PROTECTOR	2		

DP042663.TIF GSF1250SK7(E2) K7 2007 / STEERING STEM (GSF1250K7/AK7/K8/AK8)

FIG.58



GSF1250AK7 E02\_058  
STEERING STEM-C

## Part List

DP042663.TIF GSF1250SK7(E2) K7 2007 / STEERING STEM (GSF1250K7/AK7/K8/AK8)

REF NO	PART NO	DESCRIPTION	QTY	KIT	NOTES
1	51410-32F10-000	STEM, STEERING	1		
2	51644-12C00-000	SEAL, LOWER	1	*	
3	09265-30020-000	BEARING (30X55X17)	1	*	
4	51328-03FK0-000	BOLT	4		
5	51311-49G00-000	HEAD, STEERING STEM	1		
6	51166-25D70-000	BOLT (8X40)	2		
7	56211-17G00-13L	HOLDER, HANDLE	2		
8	56221-49G00-000	HOLDER, HANDLE, LOWER	2		
9	51355-49G00-000	WASHER	4		
10	56321-49G00-000	BOLT	2		
11	56245-49G00-000	RUBBER SEAT	4		
12	08319-3110A-000	NUT	2		
13	51321-10F00-000	BOLT	4		
14	09164-08015-000	WASHER	4		
15	09250-06011-000	CAP	4		
16	51354-49G00-000	WASHER	1		
17	51353-24B00-000	NUT	1		
18	09265-25038-000	BEARING (25X47X15)	1		
19	51643-40502-000	SEAL, DUST UPPER	1		
20	51631-31F00-000	NUT, STEERING STEM	1		
21	51530-49G00-000	BRACKET, HEADLAMP HSG, R	1		
22	51540-49G00-000	BRACKET, HEADLAMP HSG, L	1		
23	51553-15D00-000	DAMPER	4		
24	51851-38G00-000	STAY, HEADLAMP HSG, R	1		
25	51861-38G00-000	STAY, HEADLAMP HSG, L	1		
26	09103-06233-000	BOLT	4		

## Page Notes

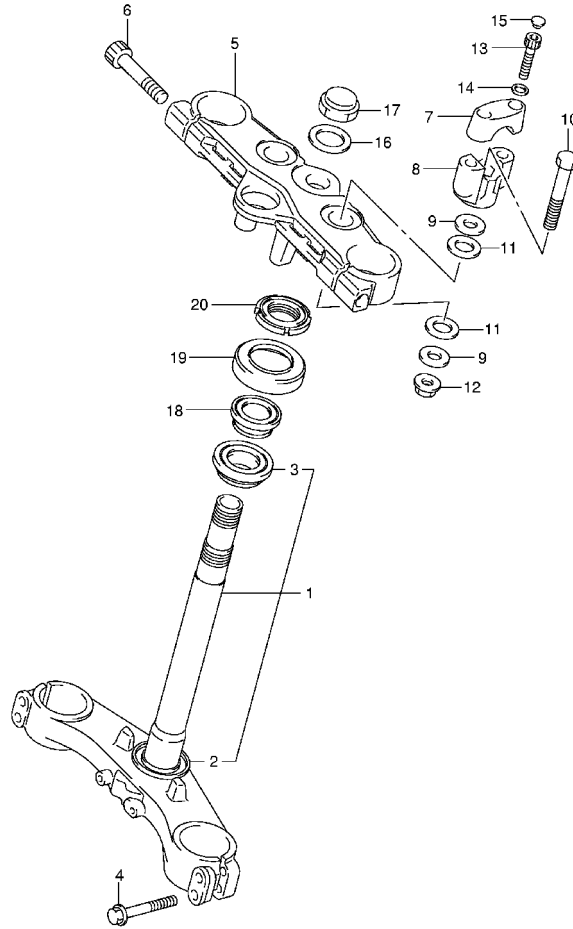
DP042663.TIF GSF1250SK7(E2) K7 2007 / STEERING STEM (GSF1250K7/AK7/K8/AK8)

NOTE TEXT
OEM: REFER TO FIG.57(H- 5) FOR GSF1250SK7/SAK7/SK8/SAK8



DP041333.TIF GSF1250SK7(E2) K7 2007 / STEERING STEM (GSF1250SK7/SAK7/SK8/SAK8)

FIG.59



GSF1250AK7 E02\_059  
STEERING STEM-C

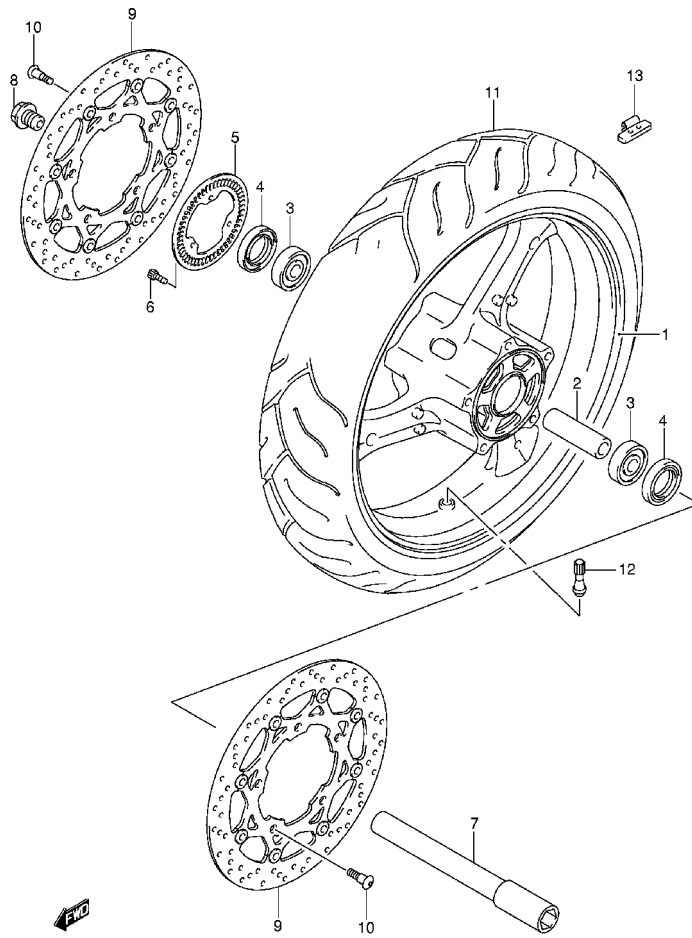
## Part List

DP041333.TIF GSF1250SK7(E2) K7 2007 / STEERING STEM (GSF1250SK7/SAK7/SK8/SAK8)

REF NO	PART NO	DESCRIPTION	QTY	KIT	NOTES
1	51410-32F10-000	STEM, STEERING	1		
2	51644-12C00-000	SEAL, LOWER	1	*	
3	09265-30020-000	BEARING (30X55X17)	1	*	
4	51328-03FK0-000	BOLT	4		
5	51311-49G00-000	HEAD, STEERING STEM	1		
6	51166-25D70-000	BOLT	2		
7	56211-17G00-13L	HOLDER, HANDLE	2		
8	56221-49G00-000	HOLDER, HANDLE, LOWER	2		
9	51355-49G00-000	WASHER	4		
10	56321-49G00-000	BOLT	2		
11	56245-49G00-000	RUBBER SET	4		
12	08319-31107-000	NUT	2		
13	51321-10F00-000	BOLT	4		
14	09164-08015-000	WASHER	4		
15	09250-06011-000	CAP	4		
16	51354-49G00-000	WASHER	1		
17	51353-24B00-000	NUT	1		
18	09265-25038-000	BEARING (25X47X15)	1		
19	51643-40502-000	SEAL, DUST UPPER	1		
20	51631-31F00-000	NUT, STEERING STEM	1		

DP042714.TIF GSF1250SK7(E2) K7 2007 / FRONT WHEEL (GSF1250AK7/SAK7/AK8/SAK8)

FIG.60



GSF1250AK7 E02\_060  
FRONT WHEEL-C

## Part List

DP042714.TIF GSF1250SK7(E2) K7 2007 / FRONT WHEEL (GSF1250AK7/SAK7/AK8/SAK8)

REF NO	PART NO	DESCRIPTION	QTY	KIT	NOTES
1	54111-49G10-019	WHEEL, FRONT (17M/CXMT3.50)	1		
2	54731-49G00-000	SPACER	1		
3	09262-25061-000	BEARING	2		
4	09285-32004-000	SEAL, FRONT WHEEL BEARING	2		
5	54162-27G00-000	RING, SPEED SENSOR FR	1		
6	07130-05127-000	BOLT	3		
7	54711-49G00-000	AXLE, FRONT	1		
8	54712-41G00-000	BOLT, FRONT AXLE	1		
9	59210-44G10-000	DISC, FRONT BRAKE	2		
10	09106-08160-000	BOLT	10		
11	55110-49GA0-000	TIRE, FRONT, 120/70ZR17M/C (58W)	1		D218FT
12	43130-24A00-000	VALVE ASSY, WHEEL RIM (TR412)	1		
13	55411-39G00-000	BALANCER, WHEEL NO.1	0%3		
13	55412-39G00-000	BALANCER, WHEEL NO.2	0%3		
13	55413-39G00-000	BALANCER, WHEEL NO.3	0%3		

## Page Notes

DP042714.TIF GSF1250SK7(E2) K7 2007 / FRONT WHEEL

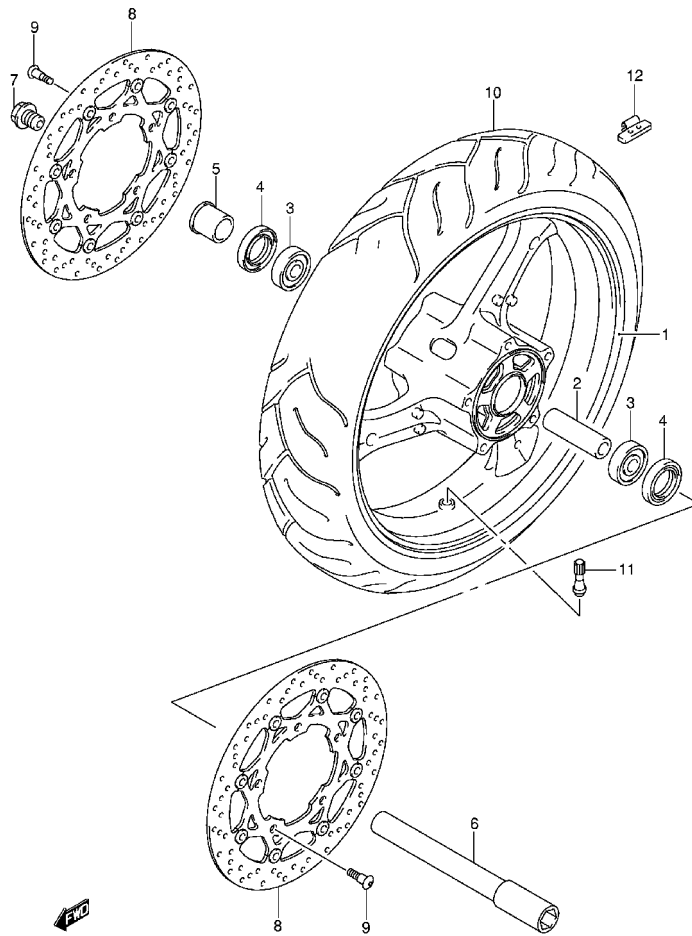
(GSF1250AK7/SAK7/AK8/SAK8)

## NOTE TEXT

OEM: REFER TO FIG.60A(H- 7) GSF1250K7/SK7/K8/SK8

DP043660.TIF GSF1250SK7(E2) K7 2007 / FRONT WHEEL (GSF1250K7/SK7/K8/SK8)

FIG.60A



GSF1250AK7 E02\_060A  
FRONT WHEEL-C

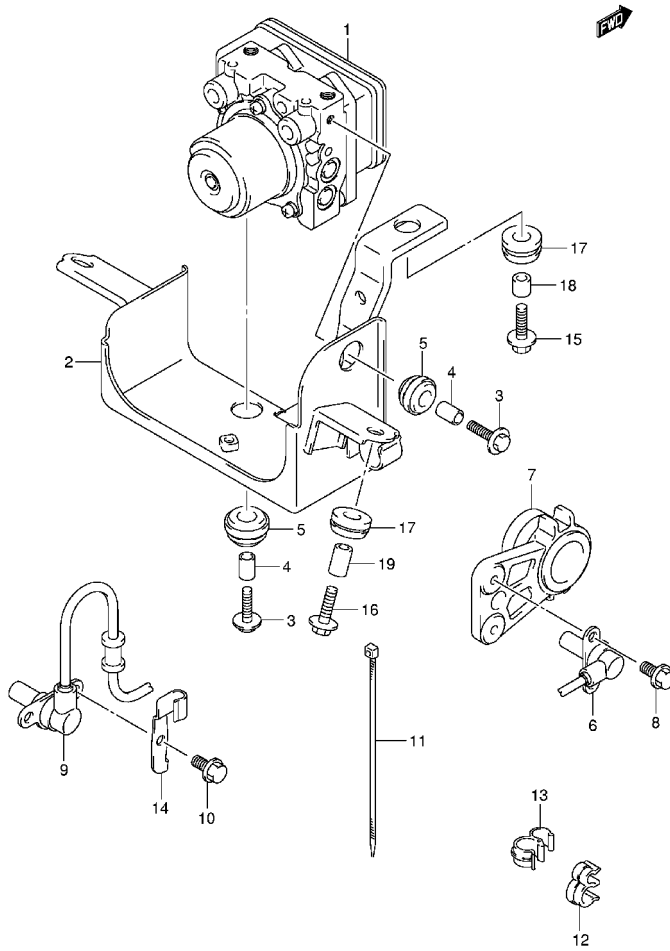
## Part List

DP043660.TIF GSF1250SK7(E2) K7 2007 / FRONT WHEEL (GSF1250K7/SK7/K8/SK8)

REF NO	PART NO	DESCRIPTION	QTY	KIT	NOTES
1	54111-49G00-019	WHEEL, FRONT (17M/CXMT3.50)	1		
2	54731-49G00-000	SPACER	1		
3	09262-25061-000	BEARING	2		
4	09285-32004-000	SEAL, FRONT WHEEL BEARING	2		
5	54751-49G00-000	SPACER, FRONT AXLE, R	1		
6	54711-49G00-000	AXLE, FRONT	1		
7	54712-41G00-000	BOLT, FRONT AXLE	1		
8	59210-44G10-000	DISC, FRONT BRAKE	2		
9	09106-08160-000	BOLT	10		
10	55110-49GA0-000	TIRE, FRONT, 120/70ZR17M/C (58W)	1		D218FT
11	43130-24A00-000	VALVE ASSY, WHEEL RIM (TR412)	1		
12	55411-39G00-000	BALANCER, WHEEL NO.1	0%3		
12	55412-39G00-000	BALANCER, WHEEL NO.2	0%3		
12	55413-39G00-000	BALANCER, WHEEL NO.3	0%3		

DP041914.TIF GSF1250SK7(E2) K7 2007 / HYDRAULIC UNIT (GSF1250AK7/SAK7/AK8/SAK8)

FIG.61



GSF1250AK7 E02\_061  
HYDRAULIC UNIT-C

## Part List

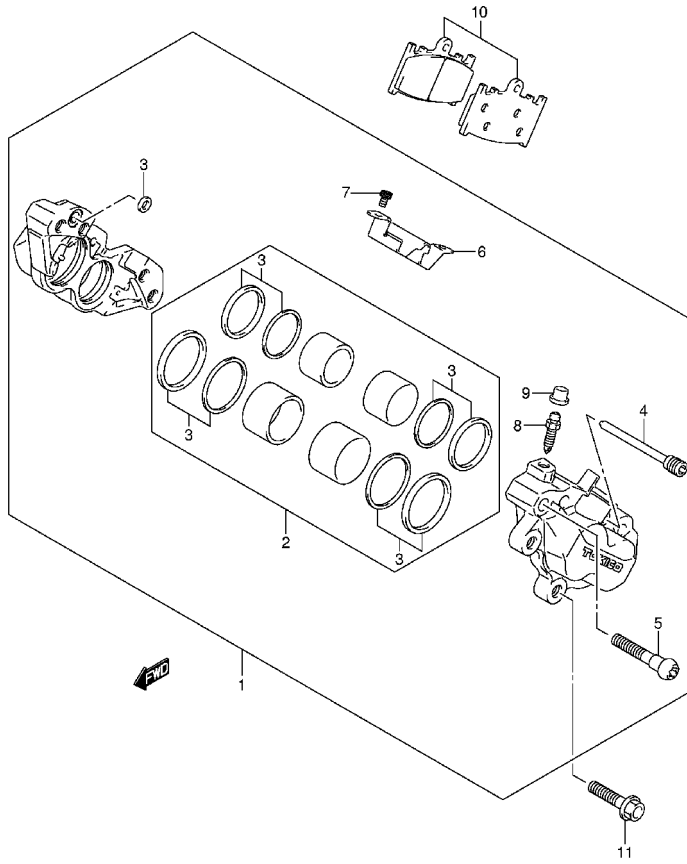
DP041914.TIF GSF1250SK7(E2) K7 2007 / HYDRAULIC UNIT (GSF1250AK7/SAK7/AK8/SAK8)

REF NO	PART NO	DESCRIPTION	QTY	KIT	NOTES
1	55610-18H00-000	UNIT ASSY, HYDRAULIC ABS	1		
2	55660-49G00-000	HOLDER, HYDRAULIC UNIT ABS	1		
3	55661-10G00-000	BOLT, UNIT MOUNTING	3		
4	55662-10G00-000	SPACER	3		
5	55663-10G00-000	RUBBER	3		
6	55710-49G01-000	SENSOR, FR WHEEL ABS	1		
7	55720-49G00-000	BRACKET, SENSOR FR	1		
8	09103-06280-000	BOLT	2		
9	65710-38G00-000	SENSOR, RR WHEEL ABS	1		
10	01547-0612A-000	BOLT	2		
11	09407-14407-000	CLAMP, SENSOR	3		
12	09408-00241-000	CLAMP, SENSOR	2		
13	09408-00242-000	CLAMP, SENSOR	3		
14	65731-38G00-000	CLAMP, ABS SENSOR REAR	1		
15	09116-06192-000	BOLT	1		
16	09116-06202-000	BOLT	2		
17	09320-08037-000	CUSHION	3		
18	09180-06261-000	SPACER	1		
19	09180-06266-000	SPACER	2		



DP041666.TIF GSF1250SK7(E2) K7 2007 / FRONT CALIPER

FIG.62



GSF1250AK7 E02\_062  
FRONT CALIPER-C

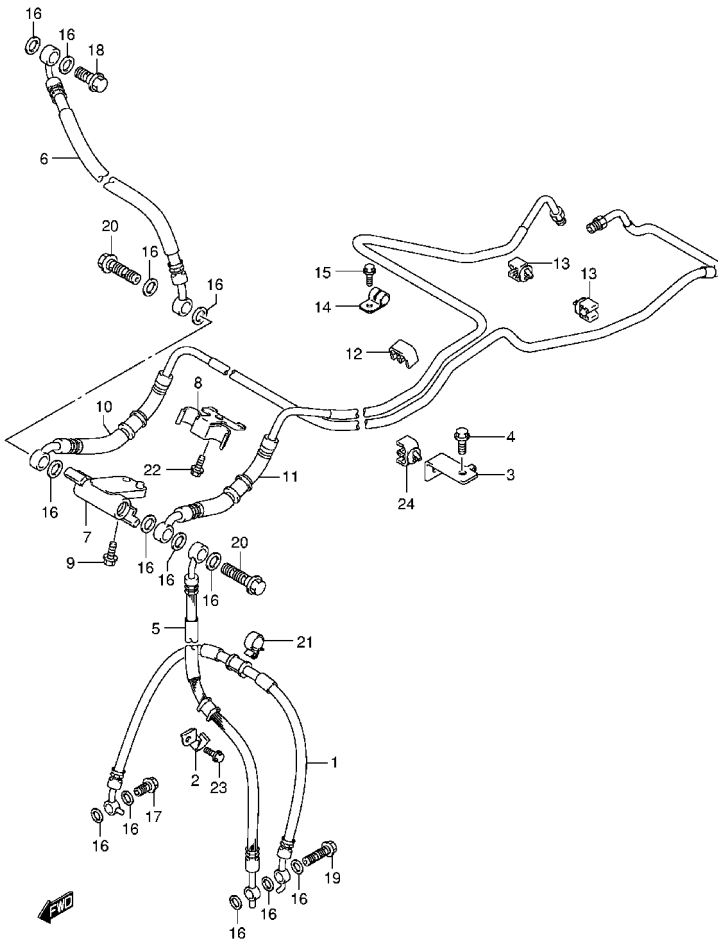
## Part List

DP041666.TIF GSF1250SK7(E2) K7 2007 / FRONT CALIPER

REF NO	PART NO	DESCRIPTION	QTY	KIT	NOTES
1	59100-35F60-999	CALIPER ASSY, FRONT RH	1		
1	59300-35F60-999	CALIPER ASSY, FRONT LH	1		
2	59300-34811-000	PISTON SET	2	*	
3	59300-34821-000	SEAL SET, PISTON	2	**	
4	59141-40F00-000	PIN	2	*	
5	59145-18G00-000	BOLT	8	*	
6	59152-35F00-000	COVER, RH	1	*	
6	59151-35F00-000	COVER, LH	1	*	
7	59153-22D00-000	SCREW	4	*	
8	59121-18410-000	BLEEDER	2	*	
9	55156-66310-000	CAP	2	*	
10	59101-35810-000	PAD SET	2		GSF1250AK7/SAK7/AK8/SAK8
10	59100-35880-000	PAD SET	2		GSF1250K7/SK7/K8/SK8
11	09103-08359-000	BOLT	4		

DP041592.TIF GSF1250SK7(E2) K7 2007 / FRONT BRAKE HOSE (GSF1250AK7/ASK7/AK8/ASK8)

FIG.63



GSF1250AK7 E02\_063  
FRONT BRAKE HOSE-C

## Part List

DP041592.TIF GSF1250SK7(E2) K7 2007 / FRONT BRAKE HOSE

(GSF1250AK7/ASK7/AK8/ASK8)

REF NO	PART NO	DESCRIPTION	QTY	KIT	NOTES
1	59240-18H10-000	HOSE, FRONT BRAKE NO.2	1		
2	59269-38G00-000	CLAMP, FRONT BRAKE HOSE NO.2, L	1		
3	59253-18H00-000	CLAMP, FRONT BRAKE HOSE ASSY	1		
4	01550-0616B-000	BOLT	1		
5	59440-18H00-000	HOSE, FRONT BRAKE NO.2, L	1		E2/E19
5	59440-18H10-000	HOSE, FRONT BRAKE NO.2, L	1		E24
6	59480-18H20-000	HOSE, FRONT BRAKE NO.1	1		GSF1250SAK7/SAK8
6	59480-17H20-000	HOSE, FRONT BRAKE NO.1	1		GSF1250AK7/AK8
7	59491-38G00-000	JOINT, FRONT BRAKE HOSE	1		
8	59251-18H00-000	CLAMP, FRONT BRAKE JOINT HOSE	1		
9	01550-0616B-000	BOLT, FR BRAKE HOSE JOINT	1		
10	59200-18H00-000	HOSE ASSY, FR BRAKE NO.1	1		
11	59400-18H00-000	HOSE ASSY, FR BRAKE NO.2	1		
12	09403-06324-000	CLAMP	1		
13	51761-62J70-000	CLAMP	2		
14	09403-07401-000	CLAMP	1		
15	01547-0612B-000	BOLT	1		
16	09161-10009-000	WASHER, BRAKE FLUID	13		
17	09360-10062-000	BOLT, FR CALIPER	1		
18	09360-10062-000	BOLT, FR MASTER CYLINDER	1		
19	09360-10064-000	BOLT, FR CALIPER	1		
20	09360-10064-000	BOLT, JOINT	2		
21	09403-16412-000	CLAMP, FRONT BRAKE HOSE	1		
22	01547-0612B-000	BOLT, FR BRAKE HOSE CLAMP	1		
23	01550-0610A-000	BOLT, BRAKE HOSE CLAMP	1		
24	09403-07334-000	CLAMP, BRAKE PIPE	1		

## Page Notes

DP041592.TIF GSF1250SK7(E2) K7 2007 / FRONT BRAKE HOSE

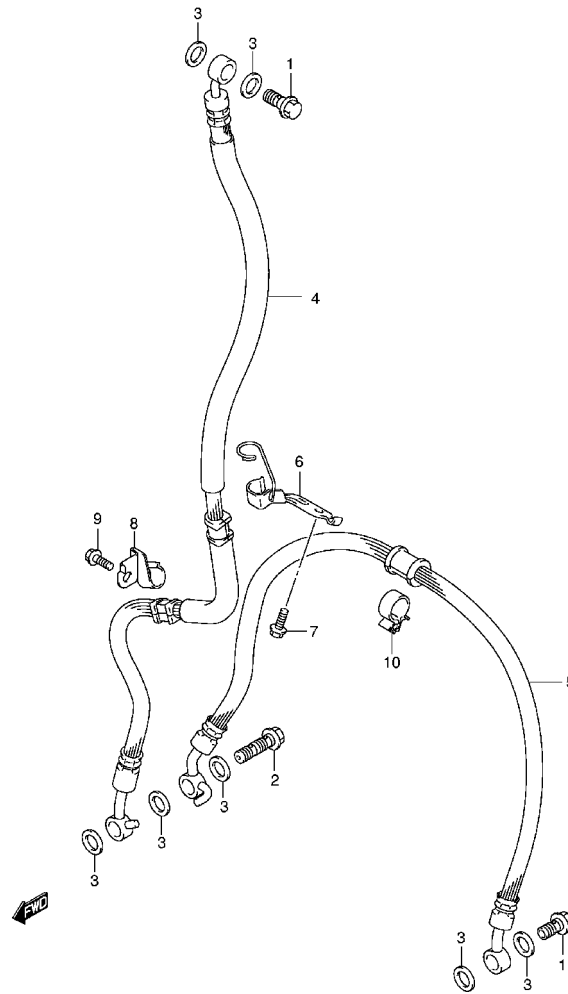
(GSF1250AK7/ASK7/AK8/ASK8)

## NOTE TEXT

OEM: REFER TO FIG.63A(1- 5) FOR GSF1250K7/SK7/K8/SK8

DP043358.TIF GSF1250SK7(E2) K7 2007 / FRONT BRAKE HOSE (GSF1250K7/SK7/K8/SK8)

FIG.63A



GSF1250AK7 E02\_063A  
FRONT BRAKE HOSE-C

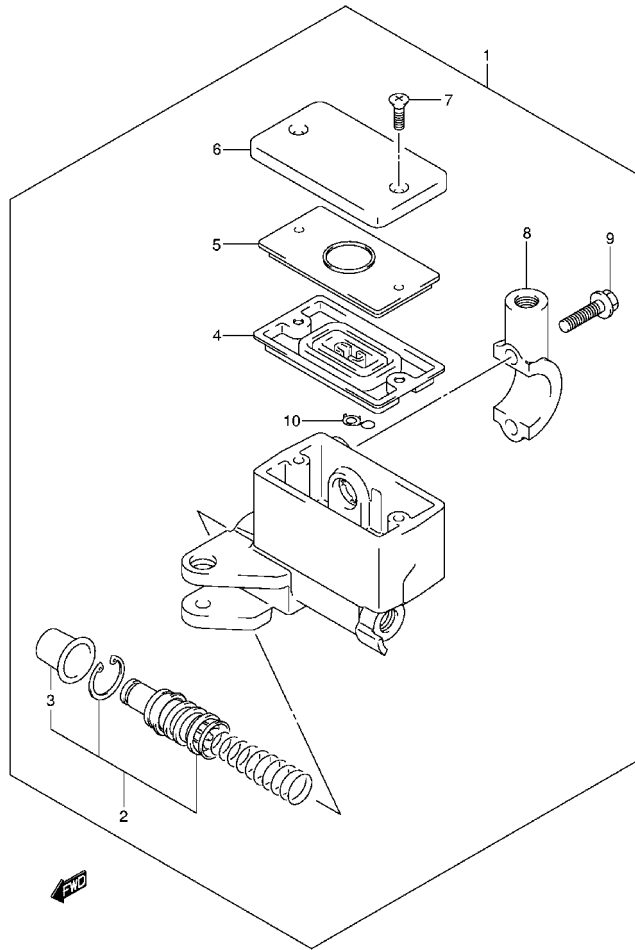
## Part List

DP043358.TIF GSF1250SK7(E2) K7 2007 / FRONT BRAKE HOSE (GSF1250K7/SK7/K8/SK8)

REF NO	PART NO	DESCRIPTION	QTY	KIT	NOTES
1	09360-10062-000	BOLT	2		
2	09360-10064-000	BOLT, JOINT	1		
3	09161-10009-000	WASHER, BRAKE FLUID	7		
4	59480-18H00-000	HOSE, FRONT BRAKE NO.1	1		GSF1250K7/K8
4	59480-18H10-000	HOSE, FRONT BRAKE NO.1	1		GSF1250SK7/SK8
5	59240-18H00-000	HOSE, FRONT BRAKE NO.2	1		
6	59260-38G00-000	CLAMP, BRAKE HOSE NO.1	1		
7	01550-0610B-000	BOLT	1		
8	59268-38G00-000	CLAMP, FRONT BRAKE HOSE NO.2	1		
9	01547-0612B-000	BOLT, FR BRAKE HOSE CLAMP	1		
10	09403-16412-000	GUIDE, BRAKE HOSE NO.2	1		

DP041547.TIF GSF1250SK7(E2) K7 2007 / FRONT MASTER CYLINDER (GSF1250K7/AK7/K8/AK8)

**FIG.64**



GSF1250AK7 E02\_064  
FRONT MASTER CYLINDER-C

**Part List**

DP041547.TIF GSF1250SK7(E2) K7 2007 / FRONT MASTER CYLINDER

(GSF1250K7/AK7/K8/AK8)

REF NO	PART NO	DESCRIPTION	QTY	KIT	NOTES
1	59600-10G10-000	CYLINDER ASSY, FRONT MASTER	1		
2	59600-45850-000	PISTON/CUP SET	1	*	
3	59666-44300-000	BOOT	1	**	
4	59667-49460-000	DIAPHRAGM	1	*	
5	59668-41C00-000	PLATE, DIAPHRAGM	1	*	
6	59669-10G00-000	CAP	1	*	
7	69689-49300-000	SCREW	2	*	
8	59671-32F00-000	HOLDER	1	*	
9	59675-02FA0-000	BOLT (6X22)	2	*	
10	59664-32F00-000	PROTECTOR	1	*	

**Page Notes**

DP041547.TIF GSF1250SK7(E2) K7 2007 / FRONT MASTER CYLINDER

(GSF1250K7/AK7/K8/AK8)

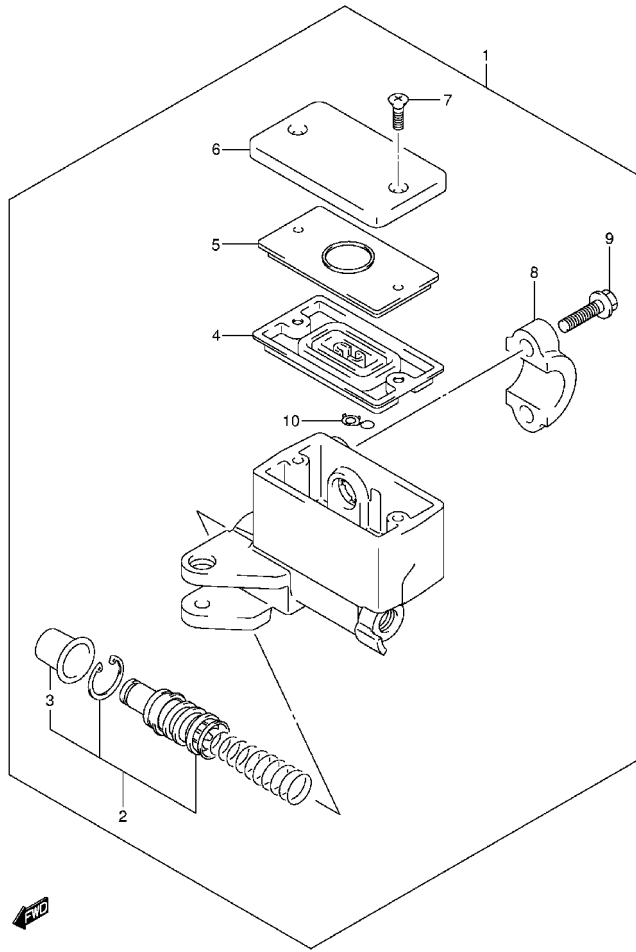
**NOTE TEXT**

OEM: REFER TO FIG.65(1- 7) FOR GSF1250SK7/SAK7/SK8/SAK8



DP041526.TIF GSF1250SK7(E2) K7 2007 / FRONT MASTER CYLINDER (GSF1250SK7/SAK7/SK8/SAK8)

FIG.65



GSF1250AK7 E02\_065  
FRONT MASTER CYLINDER-C

## Part List

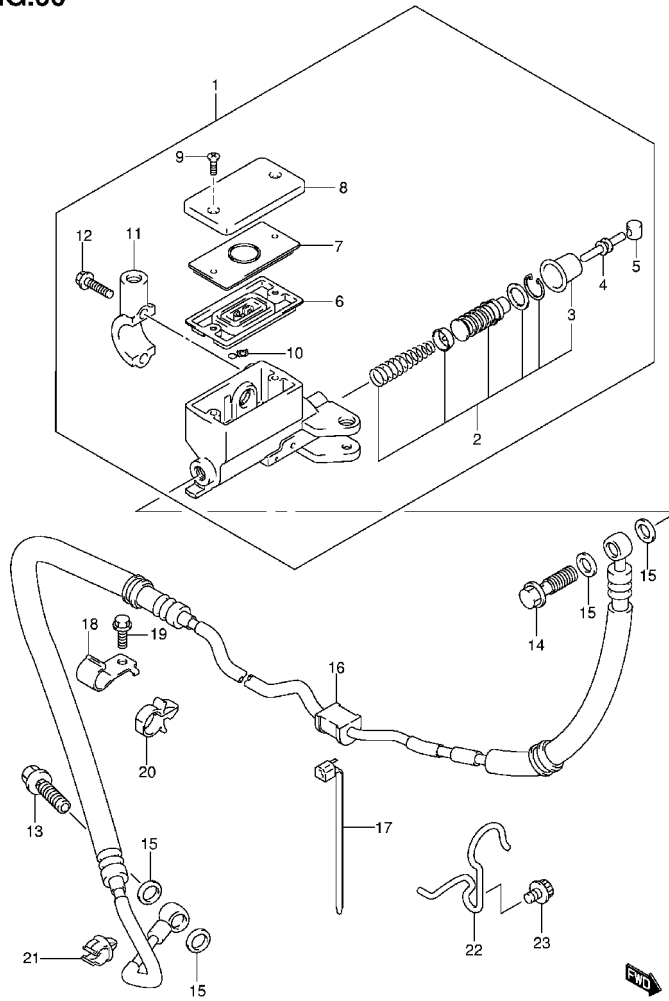
DP041526.TIF GSF1250SK7(E2) K7 2007 / FRONT MASTER CYLINDER

(GSF1250SK7/SAK7/SK8/SAK8)

REF NO	PART NO	DESCRIPTION	QTY	KIT	NOTES
1	59600-10G20-000	CYLINDER ASSY, FRONT MASTER	1		
2	59600-45850-000	PISTON/CUP SET	1	*	
3	59666-44300-000	BOOT	1	**	
4	59667-49460-000	DIAPHRAGM	1	*	
5	59668-41C00-000	PLATE, DIAPHRAGM	1	*	
6	59669-10G00-000	CAP	1	*	
7	69689-49300-000	SCREW	2	*	
8	59671-36500-000	HOLDER	1	*	
9	59675-02FA0-000	BOLT (6X22)	2	*	
10	59664-32F00-000	PROTECTOR	1	*	

DP042172.TIF GSF1250SK7(E2) K7 2007 / CLUTCH MASTER CYLINDER (GSF1250K7/AK7/K8/AK8)

FIG.66



GSF1250AK7 E02\_066  
CLUTCH MASTER CYLINDER-C

## Part List

DP042172.TIF GSF1250SK7(E2) K7 2007 / CLUTCH MASTER CYLINDER

(GSF1250K7/AK7/K8/AK8)

REF NO	PART NO	DESCRIPTION	QTY	KIT	NOTES
1	59800-32F00-000	CYLINDER ASSY, CLUTCH MASTER	1		
2	59800-08810-000	PISTON/CUP SET	1	*	
3	59666-44300-000	BOOT	1	**	
4	59871-38A00-000	ROD, PUSH	1	*	
5	59892-08A00-000	BUSH	1	*	
6	59667-49460-000	DIAPHRAGM	1	*	
7	59668-41C00-000	PLATE	1	*	
8	59669-10G00-000	CAP	1	*	
9	69689-49300-000	SCREW	2	*	
10	59664-32F00-000	PROTECTOR	1	*	
11	59671-32F00-000	HOLDER	1	*	
12	59675-02FA0-000	BOLT	2	*	
13	09360-10061-000	BOLT (10X1.00X22)	1		
14	09360-10062-000	BOLT (10X1.25X22)	1		
15	09161-10009-000	WASHER (10X15X1.5)	4		
16	59910-18H00-000	HOSE, CLUTCH	1		
17	09407-10403-000	CLAMP	1		
18	59921-49G00-000	CLAMP	1		
19	01547-0616A-000	BOLT	1		
20	09403-14304-000	CLAMP	1		
21	09403-09326-000	CLAMP	1		
22	59915-49G00-000	CLAMP, CLUTCH HOSE NO.3	1		
23	01550-0620A-000	BOLT	1		

## Page Notes

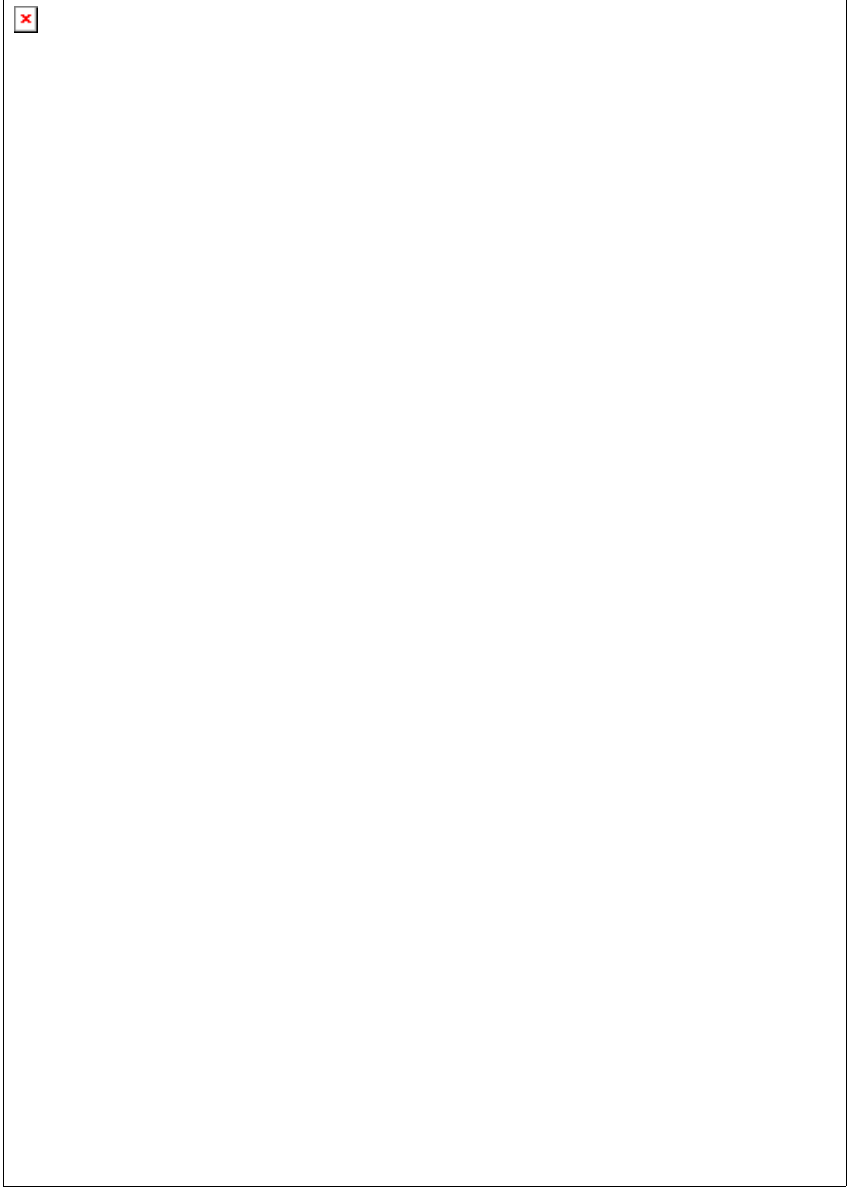
DP042172.TIF GSF1250SK7(E2) K7 2007 / CLUTCH MASTER CYLINDER

(GSF1250K7/AK7/K8/AK8)

## NOTE TEXT

OEM: REFER TO FIG.67(1- 9) FOR GSF1250SK7/SAK7/SK8/SAK8

DP042152.TIF GSF1250SK7(E2) K7 2007 / CLUTCH MASTER CYLINDER (GSF1250SK7/SAK7/SK8/SAK8)



## Part List

DP042152.TIF GSF1250SK7(E2) K7 2007 / CLUTCH MASTER CYLINDER

(GSF1250SK7/SAK7/SK8/SAK8)

REF NO	PART NO	DESCRIPTION	QTY	KIT	NOTES
1	59800-32F10-000	CYLINDER ASSY, CLUTCH MASTER	1		
2	59800-08810-000	PISTON/CUP SET	1	*	
3	59666-44300-000	BOOT	1	**	
4	59871-38A00-000	ROD, PUSH	1	*	
5	59892-08A00-000	BUSH	1	*	
6	59667-49460-000	DIAPHRAGM	1	*	
7	59668-41C00-000	PLATE	1	*	
8	59669-10G00-000	CAP	1	*	
9	69689-49300-000	SCREW	2	*	
10	59664-32F00-000	PROTECTOR	1	*	
11	59671-36500-000	HOLDER	1	*	
12	59675-02FA0-000	BOLT	2	*	
13	09360-10061-000	BOLT (10X1.00X22)	1		
14	09360-10062-000	BOLT (10X1.25X22)	1		
15	09161-10009-000	WASHER (10X15X1.5)	4		
16	59910-18H00-000	HOSE, CLUTCH	1		
17	09407-10403-000	CLAMP	1		
18	59921-49G00-000	CLAMP	1		
19	01547-0616A-000	BOLT	1		
20	09403-14304-000	CLAMP	1		
21	09403-09326-000	CLAMP	1		
22	59915-49G00-000	CLAMP, CLUTCH HOSE NO.3	1		
23	01550-0620A-000	BOLT	1		

*DP041901.TIF GSF1250SK7(E2) K7 2007 / REAR SWINGING ARM*



## Part List

DP041901.TIF GSF1250SK7(E2) K7 2007 / REAR SWINGING ARM

REF NO	PART NO	DESCRIPTION	QTY	KIT	NOTES
1	61000-49G10-YAP	SWINGING ARM ASSY, REAR	1		MODEL K7/K8, FOR YAY,YHL
1	61000-49G00-000	SWINGING ARM ASSY, REAR	1		MODEL K7 FOR YLE, MODEL K8 FOR YBA,YHG
2	09263-25059-000	BEARING, PIVOT (25X33X35)	2	*	
3	09263-17037-000	BEARING, ROD (17X24X25)	2	*	
4	61282-31E00-000	SPACER	1	*	
5	61251-31E00-000	SPACER, BEARING	2		
6	61124-33E00-000	PLATE, RR SWGARM BRACKET	1		
7	02142-0616B-000	SCREW	1		
8	61211-31E00-000	SHAFT, PIVOT	1		
9	09160-18030-000	WASHER	1		
10	09159-18007-000	NUT	1		
11	61273-49G10-000	BUFFER, CHAIN TOUCH DEFENSE	1		
12	09111-06072-000	SCREW, CHAIN BUFFER	1		
13	61311-27E20-000	CASE, CHAIN	1		
14	09136-06011-000	SCREW	2		
15	09180-06092-000	SPACER, CHAIN CASE	2		
16	09320-08013-000	CUSHION, CHAIN CASE	2		
17	61445-40F20-000	ADJUSTER, CHAIN, R	1		
18	61446-40F10-000	ADJUSTER, CHAIN, L	1		
19	09100-08287-000	BOLT	2		
20	08316-1008B-000	NUT	2		



DP041622.TIF GSF1250SK7(E2) K7 2007 / REAR CUSHION LEVER



## Part List

DP041622.TIF GSF1250SK7(E2) K7 2007 / REAR CUSHION LEVER

REF NO	PART NO	DESCRIPTION	QTY	KIT	NOTES
1	62600-32850-000	LEVER SET, REAR CUSHION	1		
2	09263-20064-000	BEARING, FRONT (20X27X26)	1	*	
3	09263-17037-000	BEARING, CENTER (17X24X25)	2	*	
4	09263-17034-000	BEARING, REAR (17X24X26)	1	*	
5	62684-01D00-000	SPACER, FRONT (12X20X30)	1		
6	62668-42A02-000	BOLT, FRONT (12X62)	1		
7	09159-12056-000	NUT	1		
8	62626-33D00-000	SPACER, CENTER	1		
9	62621-33D10-000	BOLT, CENTER	1		
10	09159-12056-000	NUT	1		
11	62684-40A10-000	SPACER, REAR (10X17X30)	1		
12	62641-32F00-000	ROD, REAR CUSHION	2		
13	62626-33D00-000	SPACER, ROD	1		
14	62621-33D00-000	BOLT, ROD	1		
15	09159-12056-000	NUT	1		
16	62100-49G70-000	ABSORBER ASSY, REAR SHOCK	1		GSF1250K7/AK7/K8/AK8
16	62100-49G90-000	ABSORBER ASSY, REAR SHOCK	1		GSF1250SK7/SAK7/SK8/SAK8
17	09103-10213-000	BOLT, UPPER	1		
18	09103-10143-000	BOLT, LOWER	1		
19	09159-10115-000	NUT	2		

DP042475.TIF GSF1250SK7(E2) K7 2007 / REAR WHEEL (GSF1250AK7/SAK7/AK8/SAK8)



## Part List

DP042475.TIF GSF1250SK7(E2) K7 2007 / REAR WHEEL (GSF1250AK7/SAK7/AK8/SAK8)

REF NO	PART NO	DESCRIPTION	QTY	KIT	NOTES
1	64111-49G10-019	WHEEL, REAR (17M/CXMT5.50) (BLACK)	1		
2	69211-38G00-000	DISC, REAR BRAKE	1		
3	09106-08160-000	BOLT	5		
4	64741-49G00-000	SPACER, REAR AXLE RH	1		
5	64610-44G00-000	DRUM, SPROCKET MOUNTING	1		
6	64651-44G00-000	ABSORBER, SHOCK REAR HUB	5		
7	54162-27G00-000	RING, SPEED SENSOR RR	1		
8	07130-05127-000	BOLT	3		
9	64711-49G00-000	AXLE, REAR	1		
10	64733-35F00-000	RETAINER, REAR SPROCKET DRUM	1		
11	64751-49G00-000	SPACER, REAR AXLE LH	1		
12	09159-25003-000	NUT	1		
13	09160-25070-000	WASHER	1		
14	64731-49G00-000	SPACER	1		
15	09262-28043-000	BEARING (28X52X12)	2		
16	09284-37001-000	SEAL, RH (37X52X8)	1		
17	09262-32007-000	BEARING (32X65X17)	1		
18	09285-39001-000	OIL SEAL (39X65X7)	1		
19	64511-40F50-000	SPROCKET, REAR (NT:43)	1		
20	08319-3110A-000	NUT	5		
21	65110-49G00-000	TIRE, REAR, 180/55 ZR17M/C (73W)	1		D218N
22	43130-24A00-000	VALVE ASSY, WHEEL RIM (TR412)	1		
23	55411-39G00-000	BALANCER, WHEEL NO.1	0%3		
23	55412-39G00-000	BALANCER, WHEEL NO.2	0%3		
23	55413-39G00-000	BALANCER, WHEEL NO.3	0%3		

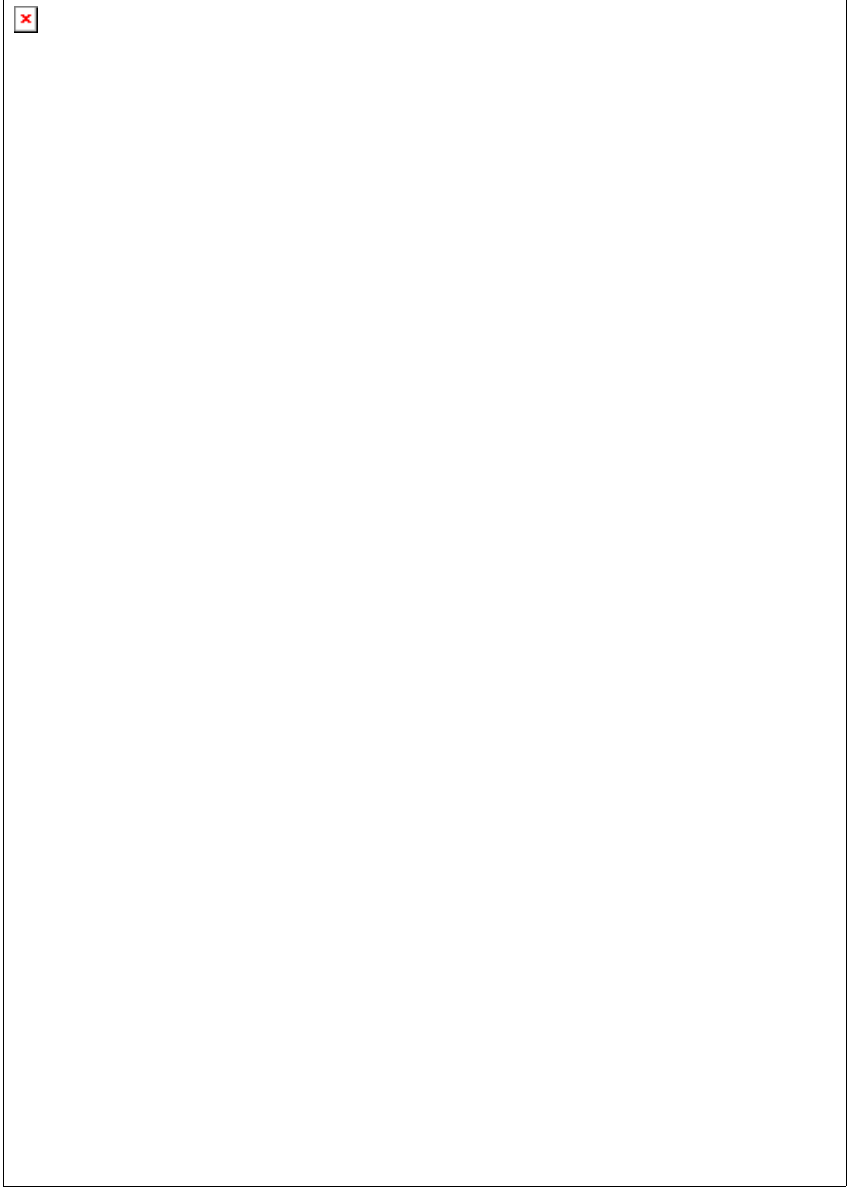
## Page Notes

DP042475.TIF GSF1250SK7(E2) K7 2007 / REAR WHEEL  
(GSF1250AK7/SAK7/AK8/SAK8)

## NOTE TEXT

OEM: REFER TO FIG.70A(I-13) FOR GSF1250K7/SK7/K8/SK8

*DP043612.TIF GSF1250SK7(E2) K7 2007 / REAR WHEEL (GSF1250K7/SK7/K8/SK8)*

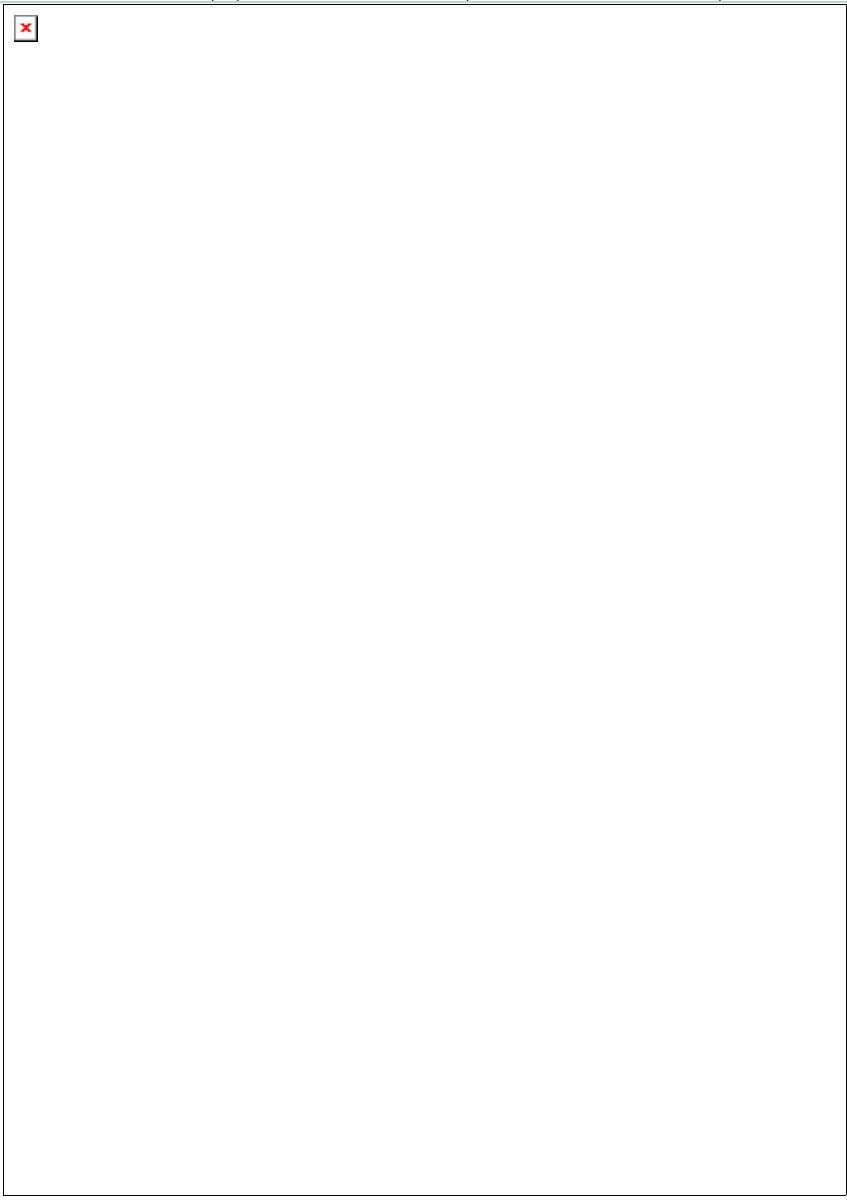


## Part List

DP043612.TIF GSF1250SK7(E2) K7 2007 / REAR WHEEL (GSF1250K7/SK7/K8/SK8)

REF NO	PART NO	DESCRIPTION	QTY	KIT	NOTES
1	64111-49G00-019	WHEEL, REAR (17M/CXMT5.50) (BLACK)	1		
2	69211-38G00-000	DISC, REAR BRAKE	1		
3	09106-08160-000	BOLT	5		
4	64741-49G00-000	SPACER, REAR AXLE RH	1		
5	64610-44G00-000	DRUM, SPROCKET MOUNTING	1		
6	64651-44G00-000	ABSORBER, SHOCK REAR HUB	5		
7	64711-49G00-000	AXLE, REAR	1		
8	64733-35F00-000	RETAINER, REAR SPROCKET DRUM	1		
9	64751-49G00-000	SPACER, REAR AXLE LH	1		
10	09159-25003-000	NUT	1		
11	09160-25070-000	WASHER	1		
12	64731-49G00-000	SPACER	1		
13	09262-28043-000	BEARING (28X52X12)	2		
14	09284-37001-000	SEAL, RH (37X52X8)	1		
15	09262-32007-000	BEARING (32X65X17)	1		
16	09285-39001-000	OIL SEAL (39X65X7)	1		
17	64511-40F50-000	SPROCKET, REAR (NT:43)	1		
18	08319-3110A-000	NUT	5		
19	65110-49G00-000	TIRE, REAR, 180/55 ZR17M/C (73W)	1		D218N
20	43130-24A00-000	VALVE ASSY, WHEEL RIM (TR412)	1		
21	55411-39G00-000	BALANCER, WHEEL NO.1	0%3		
21	55412-39G00-000	BALANCER, WHEEL NO.2	0%3		
21	55413-39G00-000	BALANCER, WHEEL NO.3	0%3		

DP041950.TIF GSF1250SK7(E2) K7 2007 / REAR CALIPER (GSF1250AK7/SAK7/AK8/SAK8)



## Part List

DP041950.TIF GSF1250SK7(E2) K7 2007 / REAR CALIPER (GSF1250AK7/SAK7/AK8/SAK8)

REF NO	PART NO	DESCRIPTION	QTY	KIT	NOTES
1	69100-38G50-999	CALIPER ASSY, REAR	1		
2	69100-04810-000	PISTON SET	1	*	
3	69100-04820-000	SEAL SET, PISTON	1	**	
4	69115-06G00-000	SPRING, PAD	1	*	
5	69105-04F00-000	BOLT	1	*	
6	59303-14500-000	BOOT	1	*	
7	69141-40F00-000	PIN, HANGER	1	*	
8	59146-21E10-000	PLUG	1	*	
9	69182-04F00-000	BOLT	1	*	
10	69185-04F00-000	SLEEVE	1	*	
11	69186-04F00-000	BOOT	1	*	
12	59121-01A00-000	BLEEDER	1	*	
13	59122-01A00-000	CAP	1	*	
14	69150-38G50-000	BRACKET	1	*	
15	69100-16851-000	PAD & RETAINER SET	1		
16	69132-06G00-000	INSULATOR	2	*	
17	69133-16G00-000	RETAINER	1	*	
18	69134-16G00-000	RETAINER	1	*	

## Page Notes

DP041950.TIF GSF1250SK7(E2) K7 2007 / REAR CALIPER

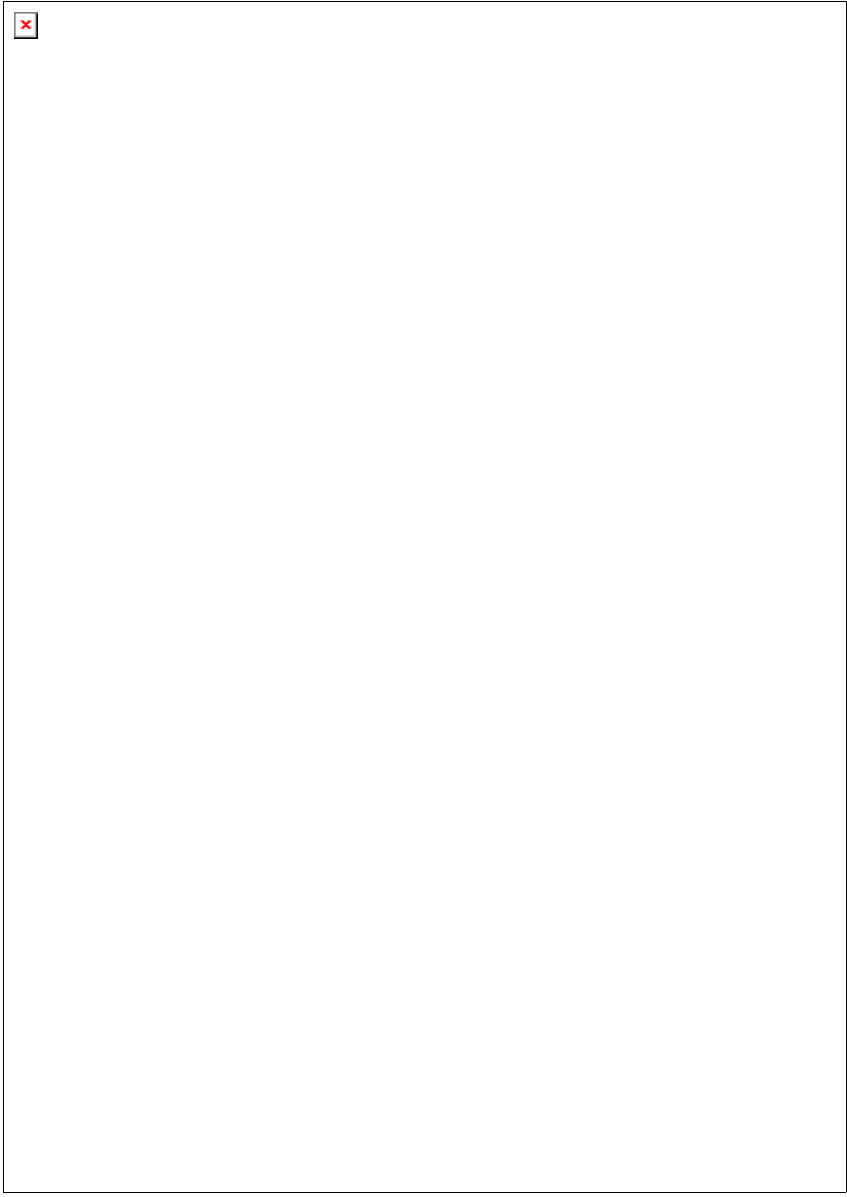
(GSF1250AK7/SAK7/AK8/SAK8)

## NOTE TEXT

OEM: REFER TO FIG.71A(I-15) FOR GSF1250K7/SK7/K8/SK8



*DP043535.TIF GSF1250SK7(E2) K7 2007 / REAR CALIPER (GSF1250K7/SK7/K8/SK8)*

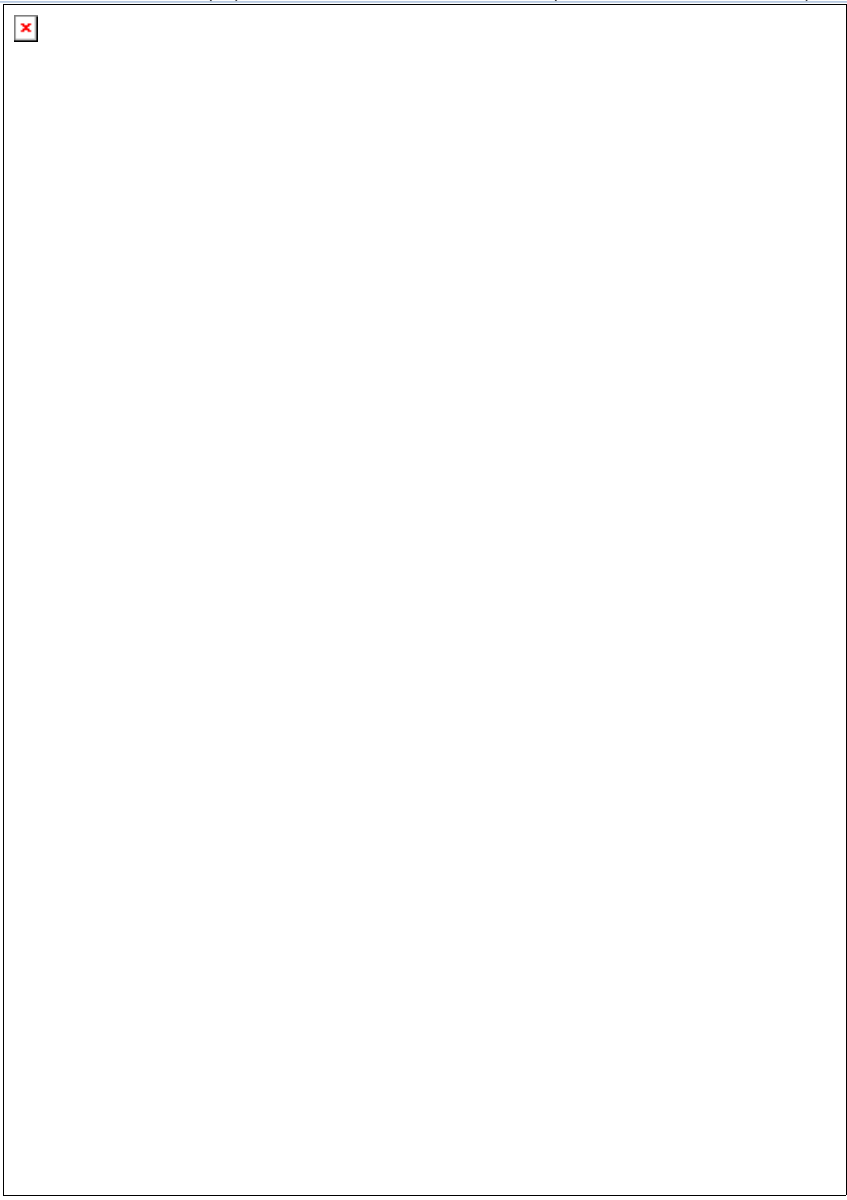


## Part List

DP043535.TIF GSF1250SK7(E2) K7 2007 / REAR CALIPER (GSF1250K7/SK7/K8/SK8)

REF NO	PART NO	DESCRIPTION	QTY	KIT	NOTES
1	69100-38G40-999	CALIPER ASSY, REAR	1		
2	69100-04810-000	PISTON SET	1	*	
3	69100-04820-000	SEAL SET, PISTON	1	**	
4	69115-06G00-000	SPRING, PAD	1	*	
5	69105-04F00-000	BOLT	1	*	
6	59303-14500-000	BOOT	1	*	
7	69141-40F00-000	PIN, HANGER	1	*	
8	59146-21E10-000	PLUG	1	*	
9	69182-04F00-000	BOLT	1	*	
10	69185-04F00-000	SLEEVE	1	*	
11	69186-04F00-000	BOOT	1	*	
12	59121-01A00-000	BLEEDER	1	*	
13	59122-01A00-000	CAP	1	*	
14	69150-38G40-000	BRACKET	1	*	
15	69100-16851-000	PAD & RETAINER SET	1		
16	69132-06G00-000	INSULATOR	2	*	
17	69133-16G00-000	RETAINER	1	*	
18	69134-16G00-000	RETAINER	1	*	

DP041885.TIF GSF1250SK7(E2) K7 2007 / REAR MASTER CYLINDER (GSF1250AK7/SAK7/AK8/SAK8)



## Part List

DP041885.TIF GSF1250SK7(E2) K7 2007 / REAR MASTER CYLINDER

(GSF1250AK7/SAK7/AK8/SAK8)

REF NO	PART NO	DESCRIPTION	QTY	KIT	NOTES
1	69600-17C10-000	CYLINDER ASSY, REAR MASTER	1		
2	69600-34820-000	PISTON / CUP SET	1	*	
3	69691-00A00-000	BOOT	1	**	
4	69692-27A30-000	YOKE	1	*	
5	69670-48B00-000	ROD, PUSH	1	*	
6	69693-05A00-000	NUT	2	*	
7	69672-05A00-000	CONNECTOR	1	*	
8	69686-34200-000	O RING	1	*	
9	02112-7412A-000	SCREW	1	*	
10	09106-08167-000	BOLT	2		
11	69740-38B21-000	TANK ASSY, REAR RESERVOIR	1		
12	59667-04700-000	DIAPHRAGM	1	*	
13	59669-05D00-000	CAP	1	*	
14	69689-04A00-000	SCREW	2	*	
15	01547-0612B-000	BOLT	1		
16	69731-31F00-000	HOSE, RESERVOIR TANK	1		
17	09401-13417-000	CLAMP	2		
18	69200-17H00-000	HOSE ASSY, REAR BRAKE NO.1	1		
19	09360-10062-000	BOLT (10X1.25X22)	2		
20	09161-10009-000	WASHER (10X15X1.5)	4		
21	69400-18H00-000	HOSE ASSY, REAR BRAKE NO.2	1		
22	09200-06068-000	PIN	1		
23	08322-0106B-000	WASHER	1		
24	04111-2015A-000	PIN, COTTER	1		
25	61196-38G01-000	GUIDE, RR BRAKE HOSE	2		
26	02142-0616B-000	SCREW	2		
27	69266-38G00-000	CLAMP, RR BRAKE HOSE NO.2	1		
28	01550-0612B-000	BOLT	1		

## Page Notes

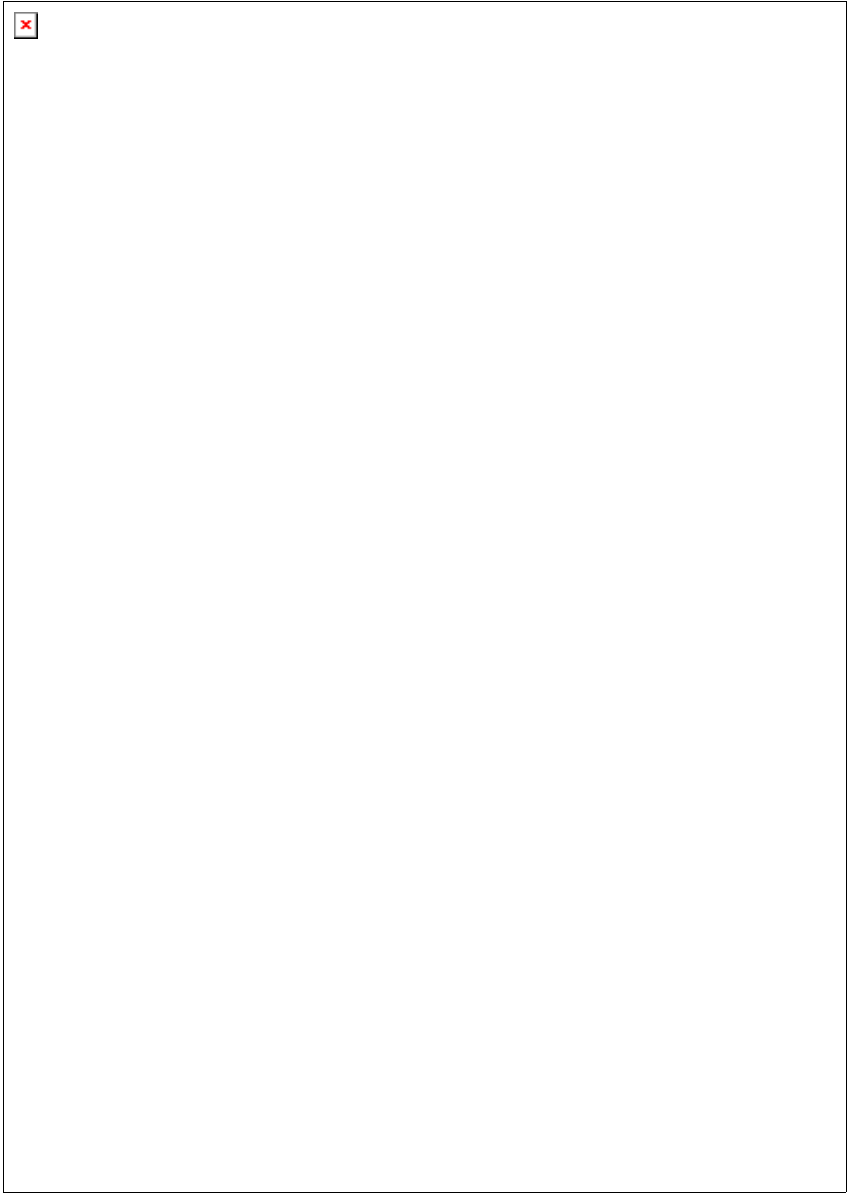
DP041885.TIF GSF1250SK7(E2) K7 2007 / REAR MASTER CYLINDER

(GSF1250AK7/SAK7/AK8/SAK8)

## NOTE TEXT

OEM: REFER TO FIG.72A(J- 3) FOR GSF1250K7/SK7/K8/SK8

*DP043479.TIF GSF1250SK7(E2) K7 2007 / REAR MASTER CYLINDER (GSF1250K7/SK7/K8/SK8)*



## Part List

DP043479.TIF GSF1250SK7(E2) K7 2007 / REAR MASTER CYLINDER

(GSF1250K7/SK7/K8/SK8)

REF NO	PART NO	DESCRIPTION	QTY	KIT	NOTES
1	69600-17C10-000	CYLINDER ASSY, REAR MASTER	1		
2	69600-34820-000	PISTON / CUP SET	1	*	
3	69691-00A00-000	BOOT	1	**	
4	69692-27A30-000	YOKE	1	*	
5	69670-48B00-000	ROD, PUSH	1	*	
6	69693-05A00-000	NUT	2	*	
7	69672-05A00-000	CONNECTOR	1	*	
8	69686-34200-000	O RING	1	*	
9	02112-7412A-000	SCREW	1	*	
10	09106-08167-000	BOLT	2		
11	69740-38B21-000	TANK ASSY, REAR RESERVOIR	1		
12	59667-04700-000	DIAPHRAGM	1	*	
13	59669-05D00-000	CAP	1	*	
14	69689-04A00-000	SCREW	2	*	
15	01547-0612B-000	BOLT	1		
16	69731-31F00-000	HOSE, RESERVOIR TANK	1		
17	09401-13417-000	CLAMP	2		
18	09360-10062-000	BOLT (10X1.25X22)	2		
19	09161-10009-000	WASHER (10X15X1.5)	4		
20	69480-18H00-000	HOSE ASSY, REAR BRAKE NO.2	1		
21	09200-06068-000	PIN	1		
22	08322-0106B-000	WASHER	1		
23	04111-2015A-000	PIN, COTTER	1		
24	61196-38G01-000	GUIDE, RR BRAKE HOSE	2		
25	02142-0616B-000	SCREW	2		

DP041517.TIF GSF1250SK7(E2) K7 2007 / OPTIONAL



## Part List

DP041517.TIF GSF1250SK7(E2) K7 2007 / OPTIONAL

REF NO	PART NO	DESCRIPTION	QTY	KIT	NOTES
1	99000-25110-000	SUZUKI PBC GREASE	1		20G
2	99104-32020-000	THREAD LOCK SUPER (1361A)	1		50G
2	99104-32030-000	THREAD LOCK SUPER (1363A)	1		50G
2	99000-32050-000	THREAD LOCK SUPER (1342)	1		50G
2	99000-32100-000	THREAD LOCK SUPER (1305)	1		50G
2	99000-32130-000	THREAD LOCK SUPER (1360)	1		50G
3	99000-32040-000	THREAD LOCK CEMENT	1		200G
4	99000-31140-000	SUZUKI BOND (1207B) BLACK	1		100G
4	99000-31110-000	SUZUKI BOND (1215)	1		100G
5	99000-25030-000	SUZUKI SUPER GREASE	1		150G
6	99000-25140-000	SUZUKI MOLY PASTE	1		50G
7	99000-10209-YAY	PAINT (PEARL NEBULAR BLACK)	1		90G
7	99000-10209-YHL	PAINT (CANDY SONOMA RED)	1		90G
7	99000-10209-YLE	PAINT (GRAPHITE BLUE)	1		90G
7	99000-10209-YBA	PAINT (PEARL DEEP BLUE NO.2)	1		90G
7	99000-10209-YHG	PAINT (COORT GRAY METALIC)	1		90G



PP047495.TIF GSF1250SK7(E2) K7 2007 / \* COLOR CHART \*

GSF1250AK7 E2	DKD W05,6BY
GSF1250AK7 E2	EEZ YB3,YND,YMU,YAY
GSF1250AK7 E2	EFA YB3,YND,YHL
GSF1250AK7 E2	EFB YB3,YND,YMU,YLE
GSF1250AK7 E2	EFC YB3,YND,YMU,YAY,24K
GSF1250AK7 E2	EFD YB3,YND,35W,YHL
GSF1250AK7 E2	EFE YB3,YND,YMU,YLE,24K
GSF1250AK7 E2	FFK YHG,YND,YME,YAY
GSF1250AK7 E2	FFL YHG,YND,YRK,YBA
GSF1250AK7 E2	FFM YHG,YND,YMU
GSF1250AK7 E2	FFN YHG,YND,1ZZ,YHL
GSF1250AK7 E2	W05 BLACK (LEATHER)
GSF1250AK7 E2	YAD BLACK 50% GLOSS
GSF1250AK7 E2	YAP MAT SHADOW BLACK METALLIC
GSF1250AK7 E2	YAY PEARL NEBULAR BLACK
GSF1250AK7 E2	YBA DEEP BLUE
GSF1250AK7 E2	YB3 HAIRLINE CHROME BLACK METALLIC
GSF1250AK7 E2	YD8 SONIC SILVER METALLIC
GSF1250AK7 E2	YHG 00RT GRAY METALLIC
GSF1250AK7 E2	YHL CANDY SONOMA RED
GSF1250AK7 E2	YKV BLACK METALLIC NO.2
GSF1250AK7 E2	YLE GRAPHITE BLUE METALLIC
GSF1250AK7 E2	YMD MISTIC SILVER METALLIC
GSF1250AK7 E2	YME CANDY MAX ORANGE
GSF1250AK7 E2	YMU MICRO METAL RED
GSF1250AK7 E2	YND MAT CHROME HIAR LINE
GSF1250AK7 E2	YRK MICRO METAL GOLD
GSF1250AK7 E2	Y4P MAT SILKY GRAY METALLIC
GSF1250AK7 E2	019 BLACK
GSF1250AK7 E2	1ZZ URBAN MIDIAM GRAY METALLIC
GSF1250AK7 E2	13L BRIGHT SILVER METALLIC
GSF1250AK7 E2	24K LIGHT CHARCOAL METALLIC
GSF1250AK7 E2	291 BLACK (SEMI-GLOSS)
GSF1250AK7 E2	35W CHARCOAL GRAY METALLIC NO.2
GSF1250AK7 E2	4EX PEARL NEBULAR BLACK
GSF1250AK7 E2	5AX 00RT GRAY METALLIC
GSF1250AK7 E2	5HX CANDY SONOMA RED
GSF1250AK7 E2	5PK BLACK
GSF1250AK7 E2	6BY BLACK



This document was created with Win2PDF available at <http://www.win2pdf.com>.  
The unregistered version of Win2PDF is for evaluation or non-commercial use only.  
This page will not be added after purchasing Win2PDF.