



# PARTS CATALOGUE

# YBR125ED (3D91) EUROPE, SOUTH AFRICA

---



1D3D9-300E1

( 2D3D9-300E1 )

YBR125ED  
PARTS CATALOGUE  
©2005 by Yamaha Motor Co., Ltd.  
1st edition, April 2005  
All rights reserved.  
Any reprinting or unauthorized use  
without the written permission of  
Yamaha Motor Co., Ltd.  
is expressly prohibited.  
Printed in Japan.

**A3**

# FOREWORD

This Parts Catalogue is related to the parts for the model(s) on the cover page. When you are ordering replacement parts, please refer to this Parts Catalogue and quote both part numbers and part names correctly.

1. Modifications or additions which have been made after the issue of the Parts Catalogue will be announced in the Parts News.

It is advisable that you make the necessary corrections to the Parts Catalogue according to the Parts News.

2. Abbreviations

The following abbreviations are used in this Parts Catalogue.

“UR” Use specified parts number.

“UN” Use as many as needed.

“AP” Alternate Parts

“LM” Locally Made (Parts need to be ordered locally)

“F#” Frame No. (Applicable machine No.)

“O/S” Over Size

3. The number of components for assembly

- Parts, which are to be supplied in an assembly, are listed with a dot (.) in front of the part name as shown below.
- The numeral appearing to the right of each component part indicates the quantity of parts for each assembly unit.

PART NO.	DESCRIPTION	Q'TY	REMARKS
2F5-83310-60	FRONT FLASHER LIGHT ASSY	2	
115-83311-60	.BULB (6V-18W)	1	

4. Applicable colours of graphics are represented in the “REMARKS” as shown below.

PART NO.	DESCRIPTION	Q'TY	REMARKS
2N4-24110-00-X5	FUEL TANK COMP.	2	MXR
3J1-24240-10	.GRAPHIC, FUEL TANK	1	FOR MXR

5. Note that the illustrations for reference in finding parts numbers are not to be used for assembling. When assembling, please use the applicable service manual.

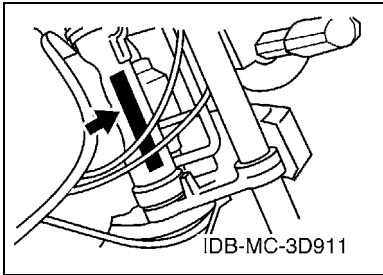
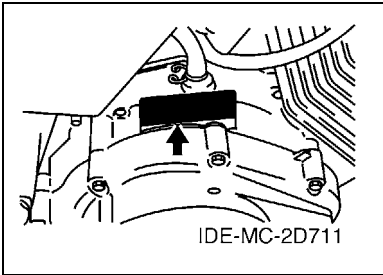
6. The asterisk (\*) before a reference number indicates modified items after the first edition.

# FOREWORD

7. Applicable Serial No.

Engine Serial No.

Frame Serial No.



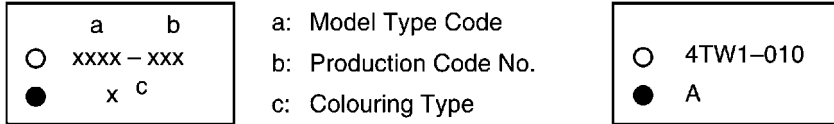
8. Applicable Colour Code (The (\*) mark shows Model colour.)

Abbreviation	Colour Name	Colour Code
DPBMC(*)	DEEP PURPLISH BLUE METALLIC C	0564
LGM3(*)	LIGHT GRAY METALLIC 3	0137
MRE(*)	MATURE RED	00FE
SMX(*)	BLACK METALLIC X	0903
YB	YAMAHA BLACK	0033

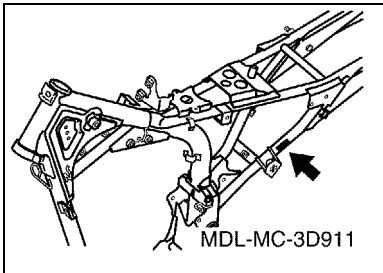
# MODEL LABEL

(1) A label called "Model Label" is affixed in the location as indicated in (3) below. When using this parts catalogue, please be sure to cross-reference the "model code – production code No." in the catalogue with the "model code – production code No." indicated on the Model Label affixed onto the product concerned.

(2) "Model Label" Indication



(3) Model Label Affixing Location



(4) Colouring Information

Model Code	Colouring Type Code	Colour Code	Colour Name	Abbreviation
3D91	A	0564	DEEP PURPLISH BLUE METALLIC C	DPBMC
	B	00FE	MATURE RED	MRE
	C	0137	LIGHT GRAY METALLIC 3	LGM3
	D	0903	BLACK METALLIC X	SMX

(5) Model Code – Production Code Number of Model Listed in This Parts Catalogue

Model Code	Production Code No.	Country (destination)	Model Code	Production Code No.	Country (destination)
3D91	010	AUSTRIA			
		SWITZERLAND			
		GERMANY			
		EUROPE			
		FRANCE			
		ITALY			
	030	CZECHO			
		SPAIN			
		FINLAND			
		GREECE			
		HUNGARY			
		IRELAND			
	040	PORTUGAL			
		SOUTH AFRICA			
		TURKEY			
		UNITED KINGDOM			

# CONTENTS

## ENGINE

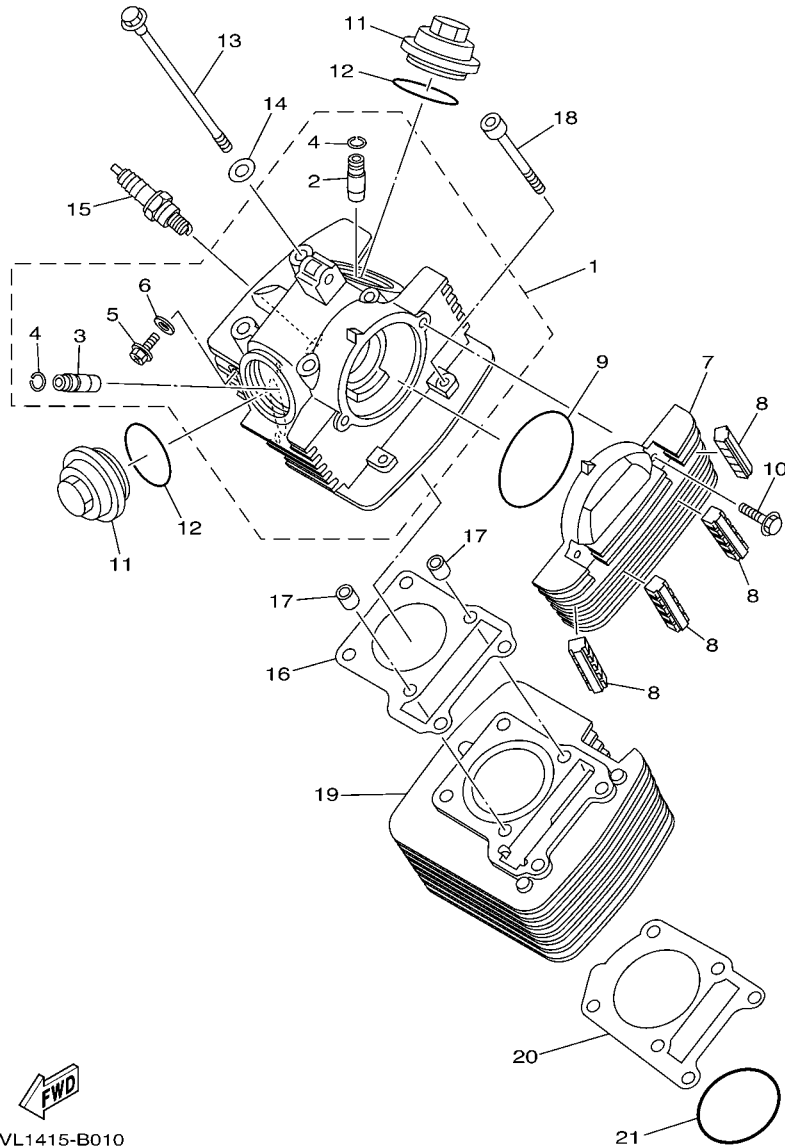
CYLINDER .....	B2
CRANKSHAFT & PISTON .....	B3
VALVE .....	B4
CAMSHAFT & CHAIN .....	B5
OIL PUMP .....	B6
INTAKE .....	B7
CARBURETOR .....	B8
EXHAUST .....	B10
CRANKCASE .....	B11
CRANKCASE COVER 1 .....	B12
STARTER .....	B13
STARTER CLUTCH .....	B14
CLUTCH .....	B15
TRANSMISSION .....	C2
SHIFT CAM & FORK .....	C4
SHIFT SHAFT .....	C5

## CHASSIS

FRAME .....	C6
FENDER .....	C7
SIDE COVER .....	C8
REAR ARM & SUSPENSION .....	C9
STEERING .....	C10
FRONT FORK .....	C11
FUEL TANK .....	C13
SEAT .....	C15
FRONT WHEEL .....	D2
FRONT BRAKE CALIPER .....	D3
REAR WHEEL .....	D4
STEERING HANDLE & CABLE .....	D6
FRONT MASTER CYLINDER .....	D7
STAND & FOOTREST .....	D8
GENERATOR .....	D10
STARTING MOTOR .....	D11
FLASHER LIGHT .....	D12
METER .....	D13
HEADLIGHT .....	D14
TAILLIGHT .....	D15
HANDLE SWITCH & LEVER .....	E2
ELECTRICAL 1 .....	E3
ELECTRICAL 2 .....	E4

## INDEX

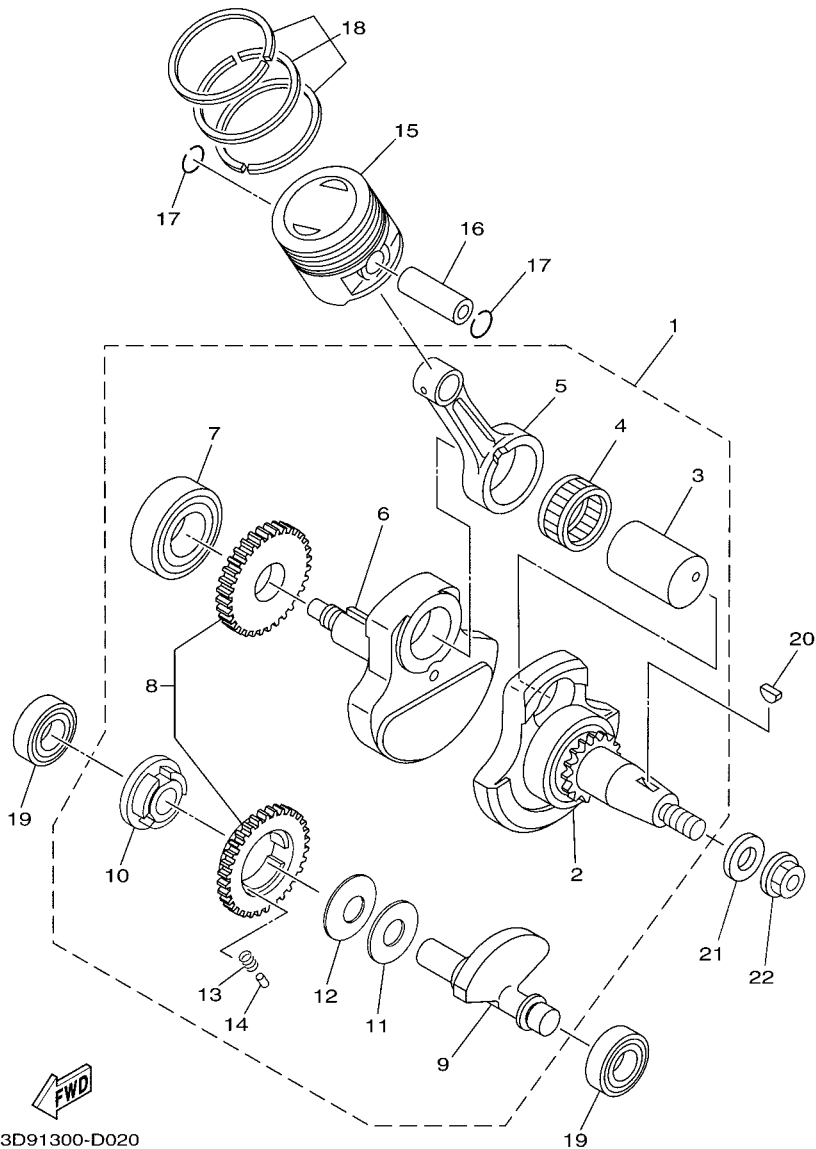
NUMERICAL INDEX .....	M1
-----------------------	----



5VL1415-B010

FIG. 1 CYLINDER

REF. NO.	PART NO.	DESCRIPTION	3D91				REMARKS
1	5VL-E1111-10	HEAD, CYLINDER 1	1				
2	2UJ-11133-10	.GUIDE, VALVE 1	1				
3	22F-11134-10	.GUIDE, VALVE 2	1				
4	93440-10109	.CIRCLIP	2				
5	90153-06803	.SCREW, HEXAGON	1				
6	90430-06817	.GASKET	1				
7	5VL-E1185-10	COVER, CYLINDER HEAD SIDE 1	1				
8	5VL-E1161-00	ABSORBER 1	4				
9	93210-79801	O-RING	1				
10	9502L-06020	BOLT, FLANGE	2				
11	5VL-E1186-00	COVER, CYLINDER HEAD SIDE 2	2				
12	93210-44889	O-RING	2				
13	90105-08724	BOLT, FLANGE	4				
14	90201-088C3	WASHER, PLATE	4				
15	94701-00372	PLUG SPARK (NGK CR6HSA)	1				
16	5VL-E1181-00	GASKET, CYLINDER HEAD 1	1				
17	99530-10114	PIN, DOWEL	2				
18	9131N-06090	BOLT	2				
19	5VL-E1310-00	CYLINDER	1				
20	5VL-E1351-10	GASKET, CYLINDER	1				
21	93210-57897	O-RING	1				

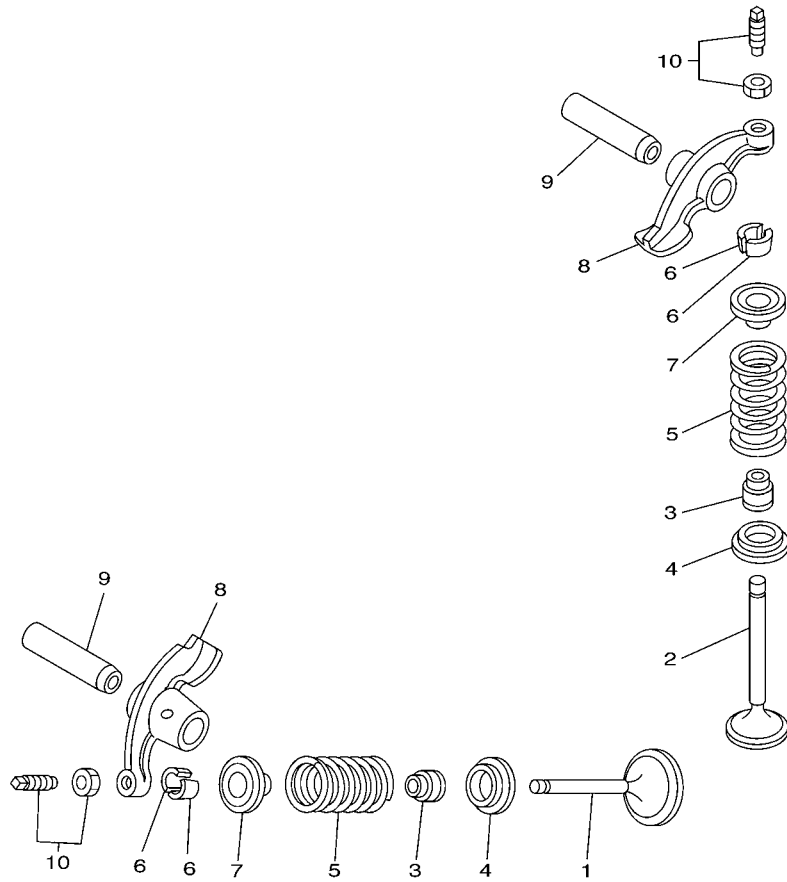


**FIG. 2 CRANKSHAFT & PISTON**

REF. NO.	PART NO.	DESCRIPTION	3D91				REMARKS
1	3D9-W1140-00	CRANKSHAFT ASSY	1				
2	3D9-W1141-00	.CRANK 1	1				
3	5VL-E1681-00	.PIN, CRANK 1	1				
4	93310-6290C	.BEARING	1				
5	5VL-E1651-00	.ROD, CONNECTING	1				
6	5VL-E1422-00	.CRANK 2	1				
7	93306-205XJ	.BEARING	1				
8	5VL-Y1153-20	.GEAR, BALANCE WELGHT ASSY.	1				
9	5VL-E1454-10	.WEIGHT 1	1				
10	5VL-E1496-00	.BOSS, BUFFER	1				
11	5VL-E1533-00	.PLATE, ABSORBER	1				
12	90208-26800	.WASHER, CONICAL SPRING	1				
13	90501-16001	.SPRING, COMPRESSION	3				
14	93604-08800	.PIN, DOWEL	3				
15	5VL-E1631-00	PISTON (STD)	1				
16	5VL-E1633-00	PIN, PISTON	1				
17	93450-16812	CIRCLIP	2				
18	5VL-Y1161-00	PISTON RING SET (STD)	1				
19	93306-202XN	BEARING	2				
20	90280-03017	KEY, WOODRUFF	1				
21	90201-122H1	WASHER, PLATE	1				
22	9570N-12500	NUT, FLANGE	1				



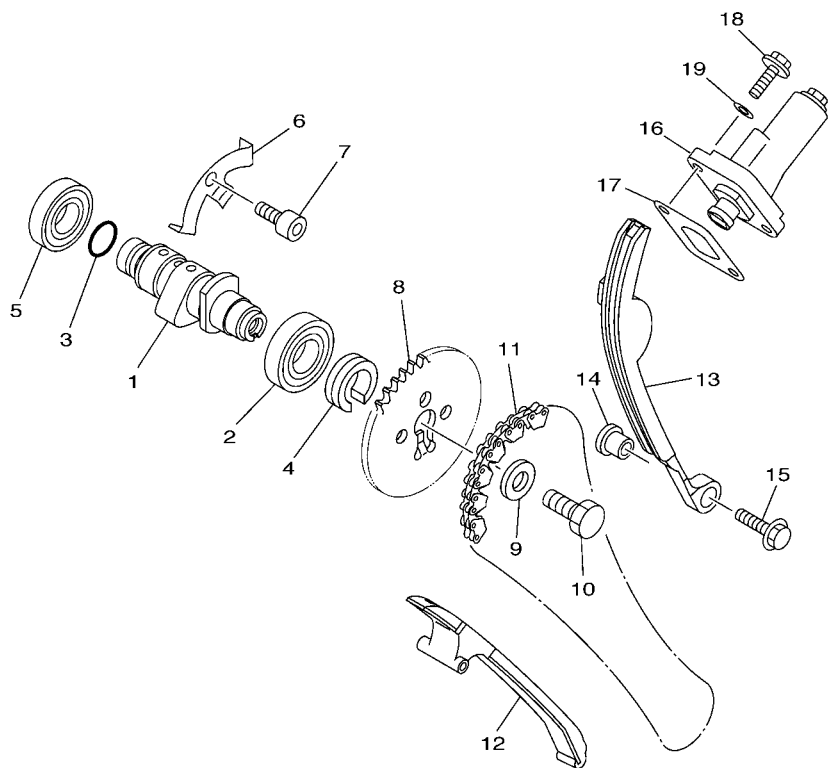
FIG. 3 VALVE



  
2D71516-C030

REF. NO.	PART NO.	DESCRIPTION	3D91				REMARKS
1	5VL-E2111-00	VALVE, INTAKE	1				
2	5VL-E2121-00	VALVE, EXHAUST	1				
3	5VL-E2119-00	SEAL, VALVE STEM	2				
4	5VL-E2116-00	SEAT, VALVE SPRING	2				
5	5KA-12113-00	SPRING, VALVE INNER	2				
6	5VL-E2118-00	COTTER, VALVE	4				
7	5VL-E2117-01	RETAINER, VALVE SPRING	2				
8	5VL-E2151-00	ARM, VALVE ROCKER	2				
9	5VL-E2156-00	SHAFT, ROCKER 2	2				
10	5VL-Y1215-00	SCREW, VALVE ADJUSTING	2				

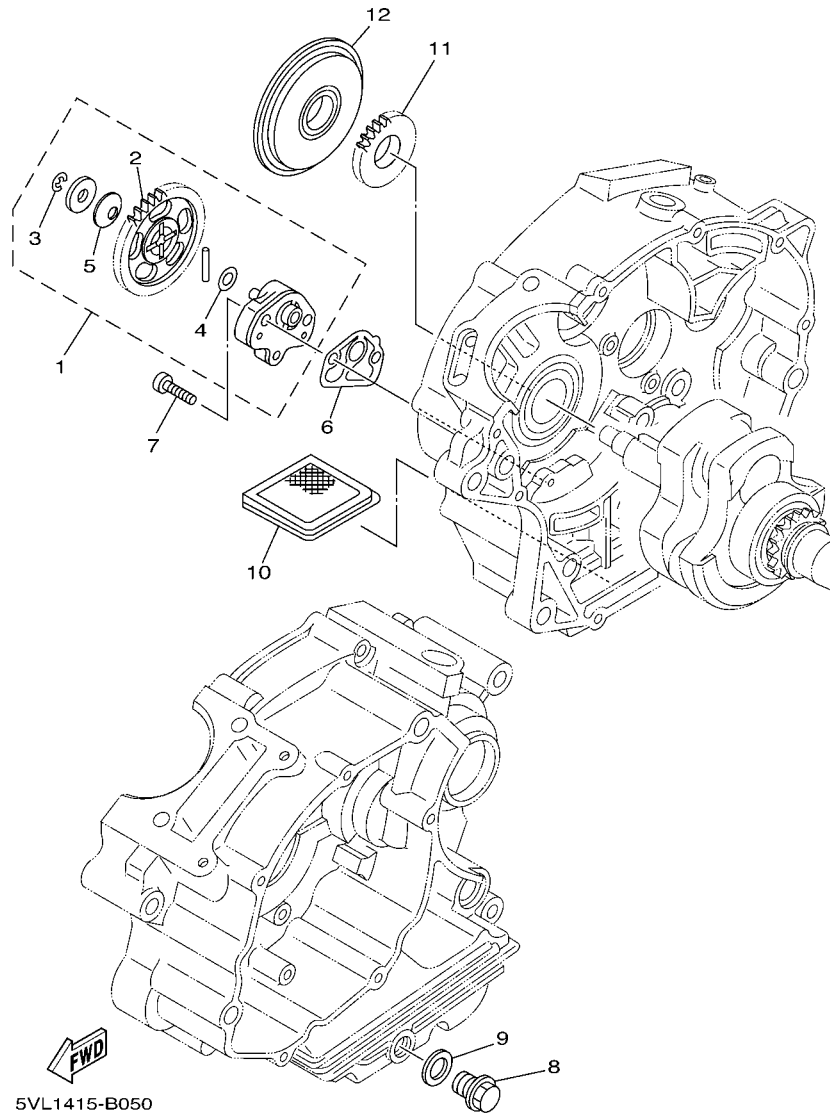
FIG. 4 CAMSHAFT & CHAIN



3D91300-D040

REF. NO.	PART NO.	DESCRIPTION	3D91				REMARKS
1	5VL-E2171-10	CAMSHAFT 1	1				
2	93306-003X6	BEARING	1				
3	93210-108B1	O-RING	1				
4	90387-16804	COLLAR	1				
5	93306-002Y1	BEARING	1				
6	5VL-E111F-00	PLATE	1				
7	9131N-06012	BOLT	1				
8	5VL-E2176-10	SPROCKET, CAM CHAIN	1				
9	90201-08326	WASHER, PLATE	1				
10	90101-08820	BOLT	1				
11	94568-A4090	CHAIN	1				
12	5VL-E2231-10	GUIDE, STOPPER 1	1				
13	5VL-E2241-10	GUIDE, STOPPER 2	1				
14	5VL-E5598-00	COLLAR	1				
15	9580N-06020	BOLT, FLANGE	1				
16	5VL-12210-10	TENSIONER ASSY, CAM CHAIN	1				
17	5VL-E2213-10	GASKET, TENSIONER CASE	1				
18	9502L-06016	BOLT, FLANGE	2				
19	90430-06817	GASKET	2				

FIG. 5 OIL PUMP



REF. NO.	PART NO.	DESCRIPTION	3D91				REMARKS
1	5VL-E3300-00	OIL PUMP ASSY	1				
2	5VL-E3325-00	.GEAR, PUMP DRIVEN	1				
3	99001-05600	.CIRCLIP	1				
4	90201-07641	.WASHER, PLATE	1				
5	90208-07052	.WASHER, CONICAL SPRING	1				
6	5VL-E3329-00	GASKET, PUMP COVER	1				
7	90155-06800	SCREW, FLAT FILLISTER	2				
8	90340-12097	PLUG, STRAIGHT SCREW	1				
9	90430-12227	GASKET	1				
10	4FP-E3411-00	STRAINER, OIL	1				
11	5VL-E3324-00	GEAR, PUMP DRIVE	1				
12	5VL-E3451-00	FILTER, ROTARY	1				

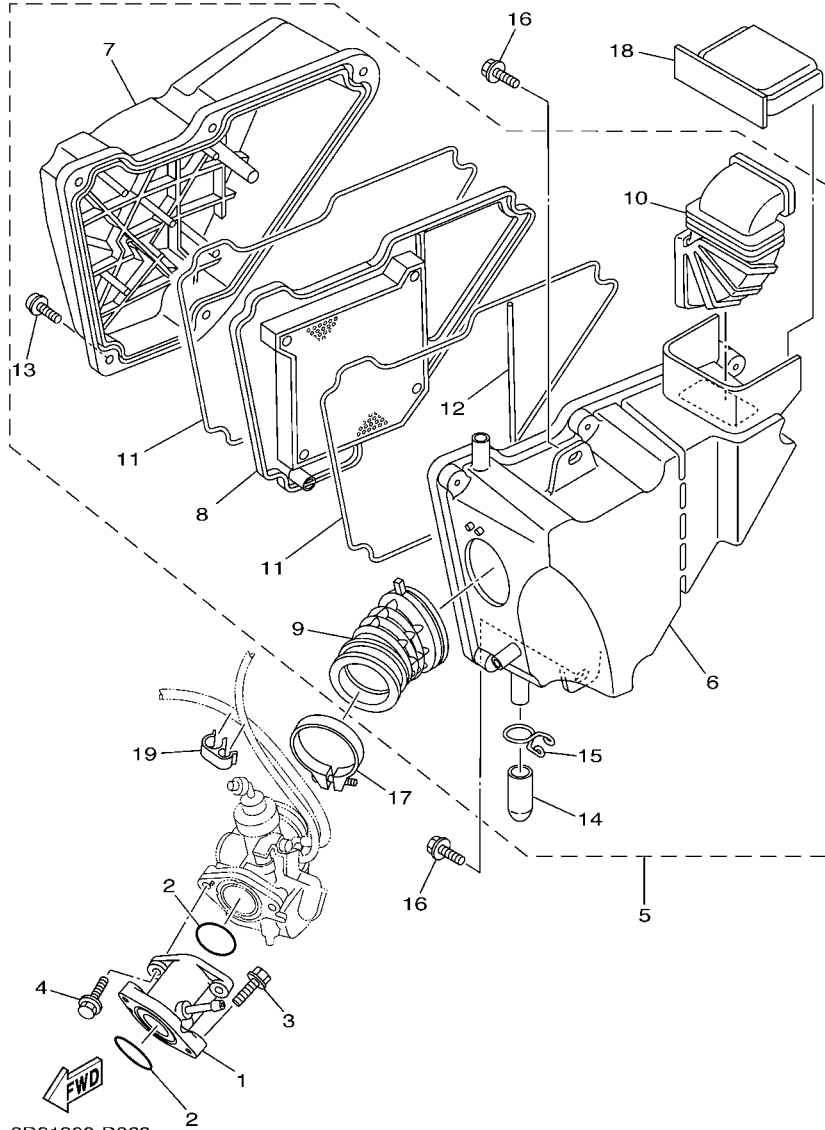
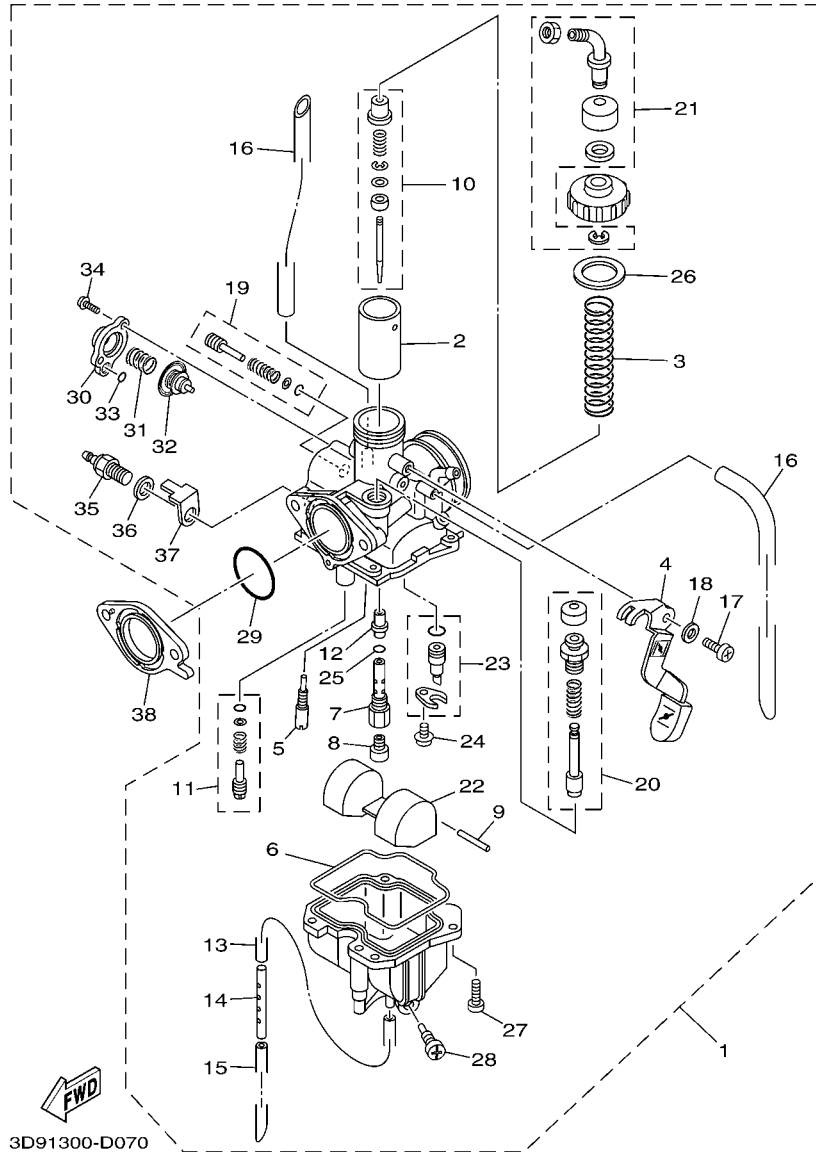


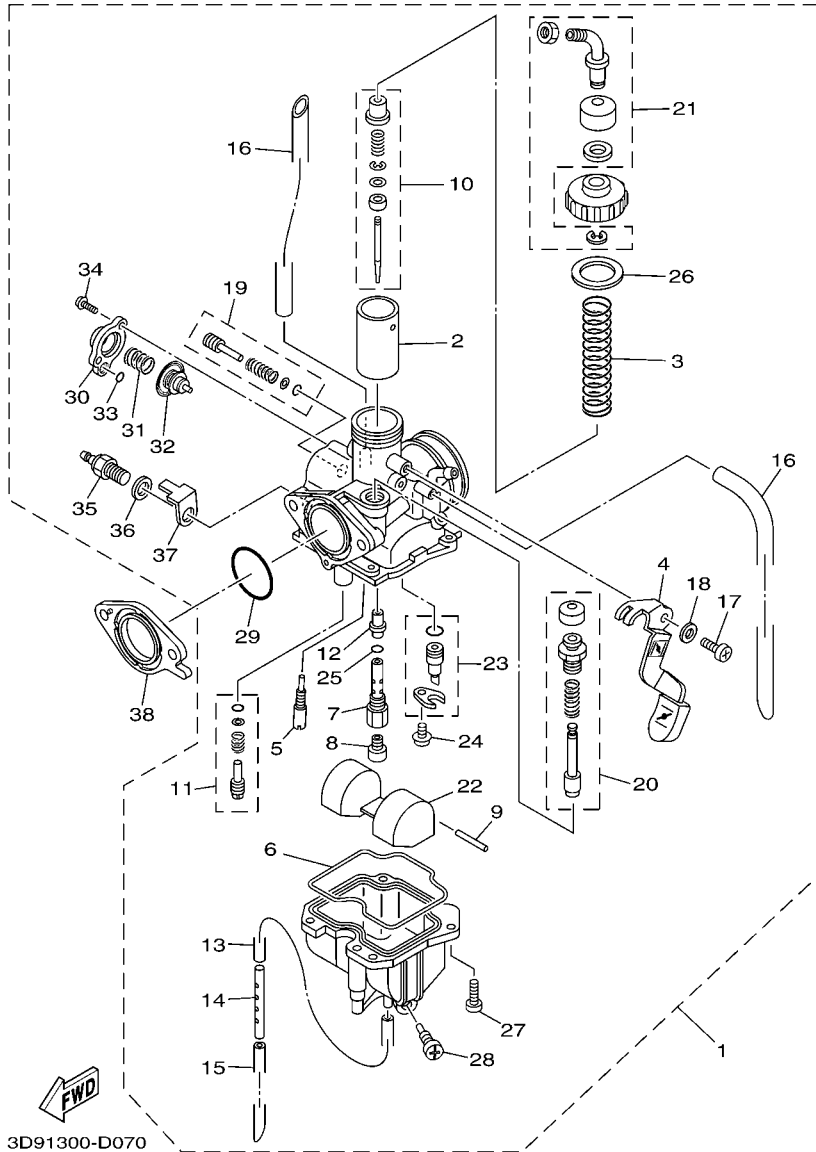
FIG. 6 INTAKE

REF. NO.	PART NO.	DESCRIPTION	3D91				REMARKS
1	5VL-E3586-30	JOINT, CARBURETOR 1	1				
2	93210-30611	O-RING	2				
3	9502L-06025	BOLT, FLANGE	2				
4	9502L-06025	BOLT, FLANGE	2				
5	3D9-E4410-00	AIR CLEANER ASSY.	1				
6	5VL-E4411-10	.CASE, AIR CLEANER 1	1				
7	5VL-E4412-00	.CAP, CLEANER CASE 1	1				
8	5VL-E4450-10	.ELEMENT ASSY, AIR CLEANER	1				
9	5VL-E4453-10	.JOINT, AIR CLEANER 1	1				
10	3D9-E4437-00	.DUCT	1				
11	3D9-E4452-00	.SEAL	2				
12	3D9-E4462-00	.SEAL	1				
13	9760N-06220	.SCREW, PAN HEAD WITH WASHER	5				
14	3D9-E443E-00	.PIPE, DRAIN	1				
15	5VL-E4424-00	.CLIP, CAP FITTING	1				
16	90119-06809	BOLT, WITH WASHER	2				
17	90460-46206	CLAMP, HOSE	1				
18	3D9-E4417-00	COVER 1	1				
19	90464-11802	CLAMP	1				

FIG. 7 CARBURETOR



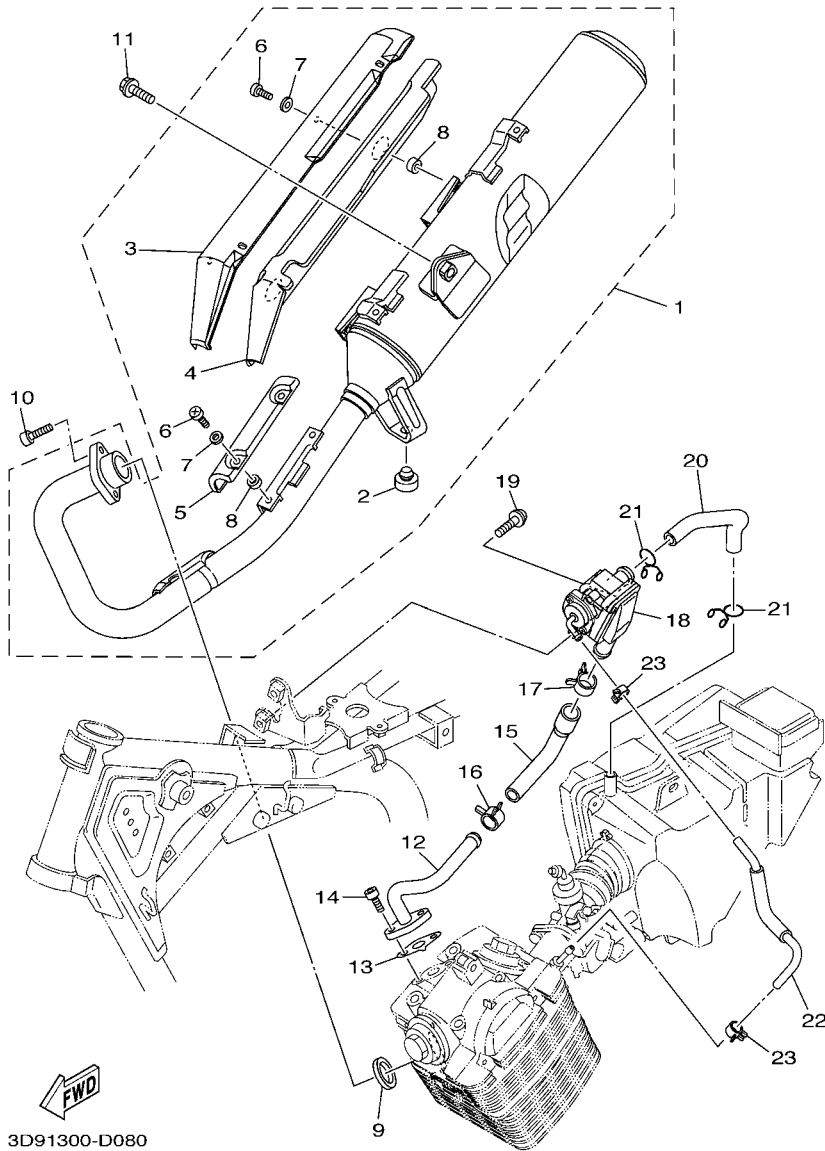
REF. NO.	PART NO.	DESCRIPTION	3D91				REMARKS
1	3D9-E4101-00	CARBURETOR ASSY 1	1				
2	5VL-1411F-25	.VALVE, THROTTLE 2	1				
3	5VL-14131-00	.SPRING, THROTTLE VALVE	1				
4	3D9-14905-00	.LEVER, STARTER	1				
5	3H1-14142-15	.JET, PILOT (# 15)	1				
6	5VL-14147-00	.O-RING	1				
7	4LS-14145-00	.SETTER, NEEDLE JET	1				
8	620-1423A-70	.JET, MAIN (#97.5)	1				
9	127-14186-00	.PIN, FLOAT	1				
10	5VL-1490J-10	.NEEDLE SET	1				
11	5VL-14105-00	.PILOT SCREW SET	1				
12	5VL-14141-27	.NOZZLE, MAIN	1				
13	5VL-14193-10	.PIPE	1				
14	5VL-14148-00	.PIPE	1				
15	5VL-14196-00	.PIPE	1				
16	5VL-14197-10	.PIPE	2				
17	3XP-14565-00	.SCREW	1				
18	3XP-14285-00	.WASHER	1				
19	5VL-14103-00	.THROTTLE SCREW SET	1				
20	5VL-1410A-00	.STARTER SET	1				
21	5VL-14106-00	.CABLE ADJUST SCREW SET	1				
22	21V-14185-00	.FLOAT	1				
23	5PC-14107-18	.NEEDLE VALVE SET	1				
24	97607-03106	.SCREW,WITH WASHER	1				
25	583-14561-00	.O-RING	1				
26	5VL-14126-00	.GASKET	1				
27	98507-04010	.SCREW, PAN HEAD	4				



3D91300-D070

FIG. 7 CARBURETOR

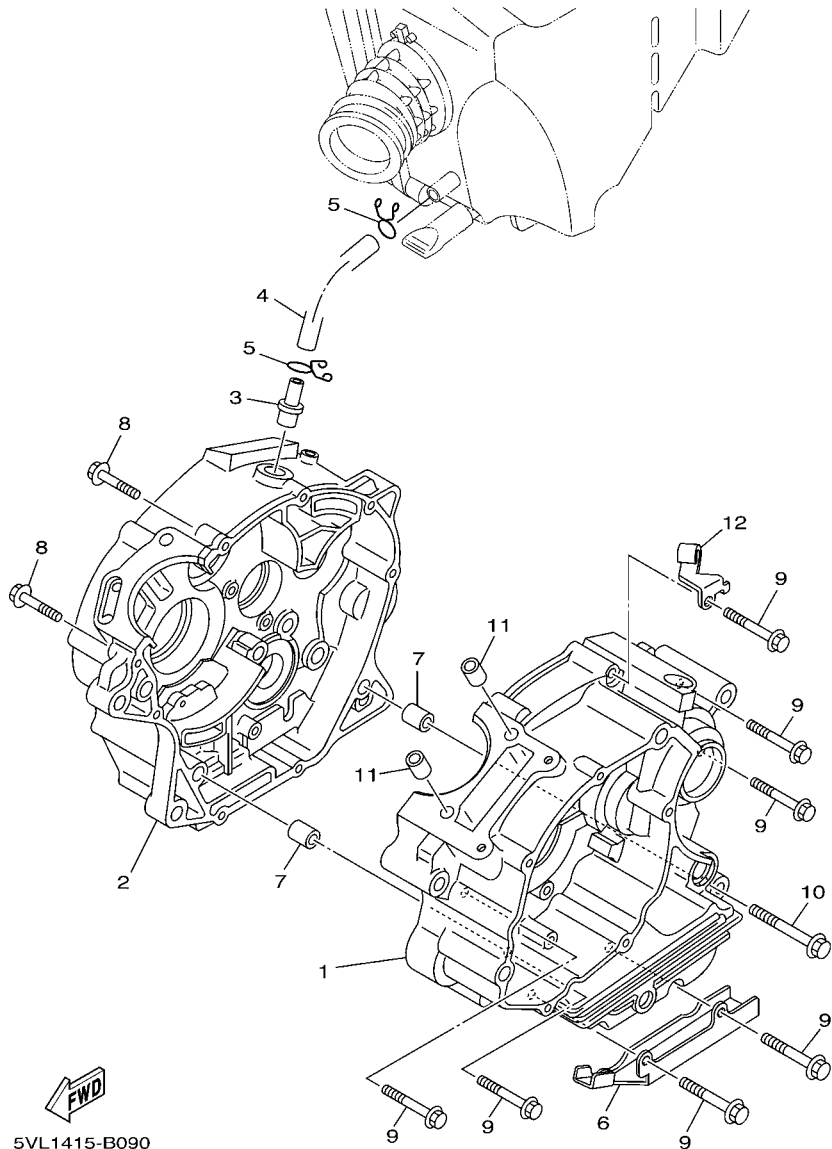
REF. NO.	PART NO.	DESCRIPTION	3D91				REMARKS
28	12R-14191-00	.PLUG, DRAIN	1				
29	24W-14147-00	.O-RING	1				
30	5VL-14280-00	.COVER, CARBURETOR	1				
31	5VL-14933-00	.SPRING, DIAPHRAGM	1				
32	5VL-14940-00	.DIAPHRAGM ASSY	1				
33	3H1-14147-00	.O-RING	1				
34	97607-04110	.SCREW, WITH WASHER	2				
35	5FU-83790-10	.HEATER ASSY (20W)	1				
36	5CY-14951-00	.WASHER	1				
37	5FU-82103-00	.TERMINAL 1	1				
38	5VL-E3595-00	JOINT	1				



3D91300-D080

FIG. 8 EXHAUST

REF. NO.	PART NO.	DESCRIPTION	3D91				REMARKS
1	3D9-E4710-00	MUFFLER ASSY 1	1				
2	4TU-F4741-00	.PAD, SEAT	1				
3	3D9-E4758-00	.PROTECTOR, SILENCER	1				
4	5VL-E4728-20	.PROTECTOR, MUFFLER 2	1				
5	5VL-E4628-00	.PROTECTOR, EXHAUST PIPE	1				
6	98980-06012	.SCREW, BIND	6				
7	90201-05803	.WASHER, PLATE	6				
8	90201-05804	.WASHER, PLATE	6				
9	5VL-E4613-00	GASKET, EXHAUST PIPE	1				
10	91314-06020	BOLT	2				
11	9581N-08020	BOLT, FLANGE	1				
12	5VL-E4872-00	PIPE 2	1				
13	5VL-E4815-00	GASKET	1				
14	9131M-06016	BOLT	2				
15	5VL-E4881-00	HOSE, BEND 1	1				
16	90467-13802	CLIP	1				
17	90467-16800	CLIP	1				
18	5VL-E4803-00	AIR INDUCTION SYSTEM ASSY	1				
19	9760N-06220	SCREW, PAN HEAD WITH WASHER	2				
20	5VL-E4882-00	HOSE, BEND 2	1				
21	90467-15012	CLIP	2				
22	5VL-E4987-00	HOSE	1				
23	90467-08801	CLIP	2				



5VL1415-B090

FIG. 9 CRANKCASE

REF. NO.	PART NO.	DESCRIPTION	3D91				REMARKS
1	5VL-E5111-11	CRANKCASE 1	1				
2	5VL-E5121-01	CRANKCASE 2	1				
3	4FP-E1167-00	PIPE, BREATHER 2	1				
4	5VL-E1166-00	PIPE, BREATHER 1	1				
5	90467-12828	CLIP	2				
6	90462-16801	CLAMP	1				
7	99530-10114	PIN, DOWEL	2				
8	9502L-06030	BOLT, FLANGE	2				
9	9502L-06045	BOLT, FLANGE	7				
10	9502L-06055	BOLT, FLANGE	1				
11	99530-10114	PIN, DOWEL	2				
12	5VL-E5441-00	HOLDER, CLUTCH CABLE	1				



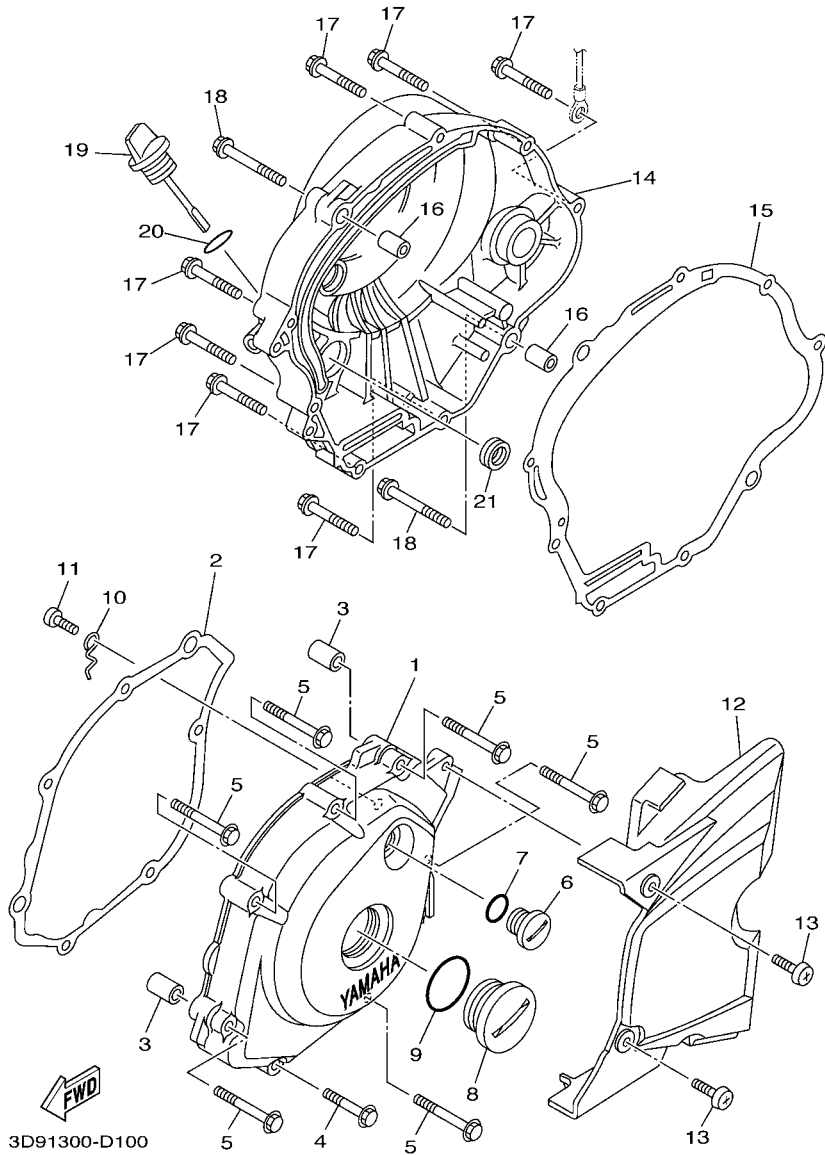
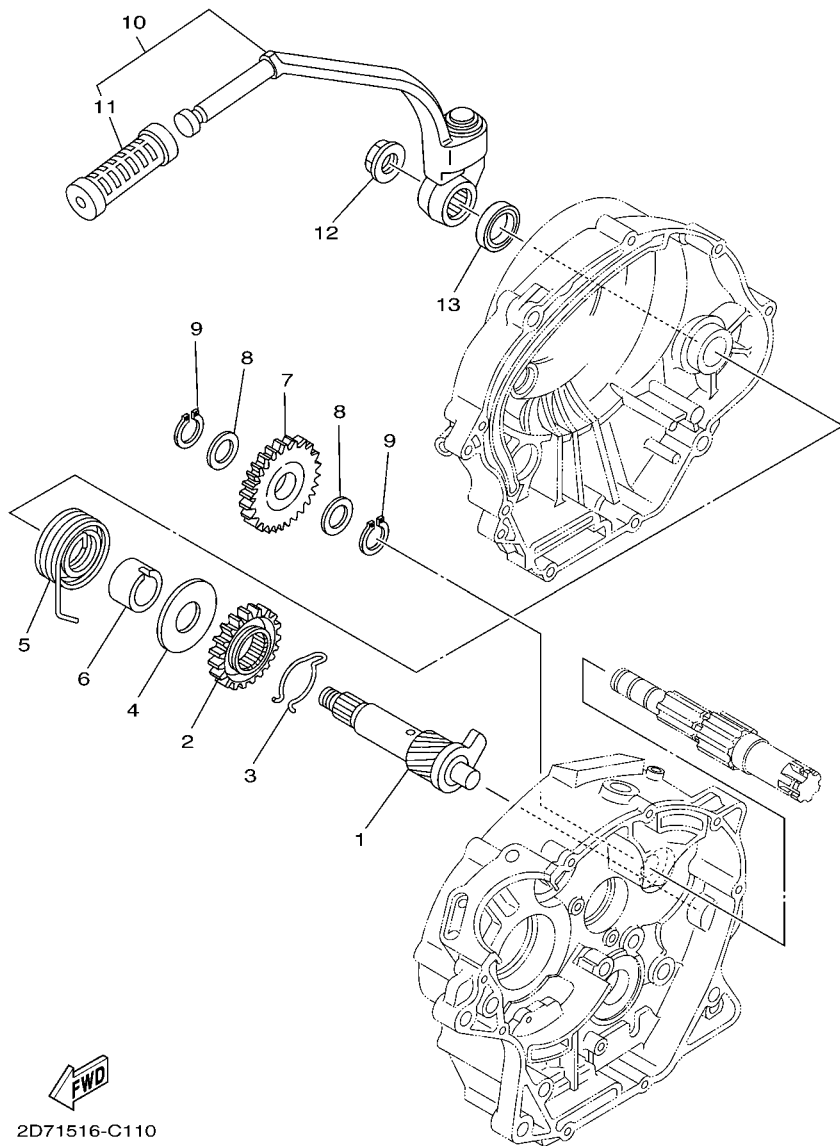


FIG. 10 CRANKCASE COVER 1

REF. NO.	PART NO.	DESCRIPTION	3D91				REMARKS
1	5VL-E5411-00	COVER, CRANKCASE 1	1				
2	5VL-E5451-10	GASKET, CRANKCASE COVER 1	1				
3	99530-10114	PIN, DOWEL	2				
4	9502L-06035	BOLT, FLANGE	1				
5	9502L-06050	BOLT, FLANGE	6				
6	90340-14810	PLUG, STRAIGHT SCREW	1				
7	93210-14899	O-RING	1				
8	90340-32812	PLUG, STRAIGHT SCREW	1				
9	93210-328A4	O-RING	1				
10	5VL-E5191-00	PLATE	1				
11	9851N-06010	SCREW, PAN HEAD	1				
12	5VL-E5418-00	COVER, CHAIN CASE	1				
13	9890L-06016	SCREW, BIND	2				
14	5VL-E5421-00	COVER, CRANKCASE 2	1				
15	5VL-E5461-10	GASKET, CRANKCASE COVER 2	1				
16	99530-10114	PIN, DOWEL	2				
17	9502L-06035	BOLT, FLANGE	7				
18	9502L-06045	BOLT, FLANGE	2				
19	5VL-E5362-00	PLUG, OIL LEVEL	1				
20	93210-19809	O-RING	1				
21	93101-10800	OIL SEAL	1				

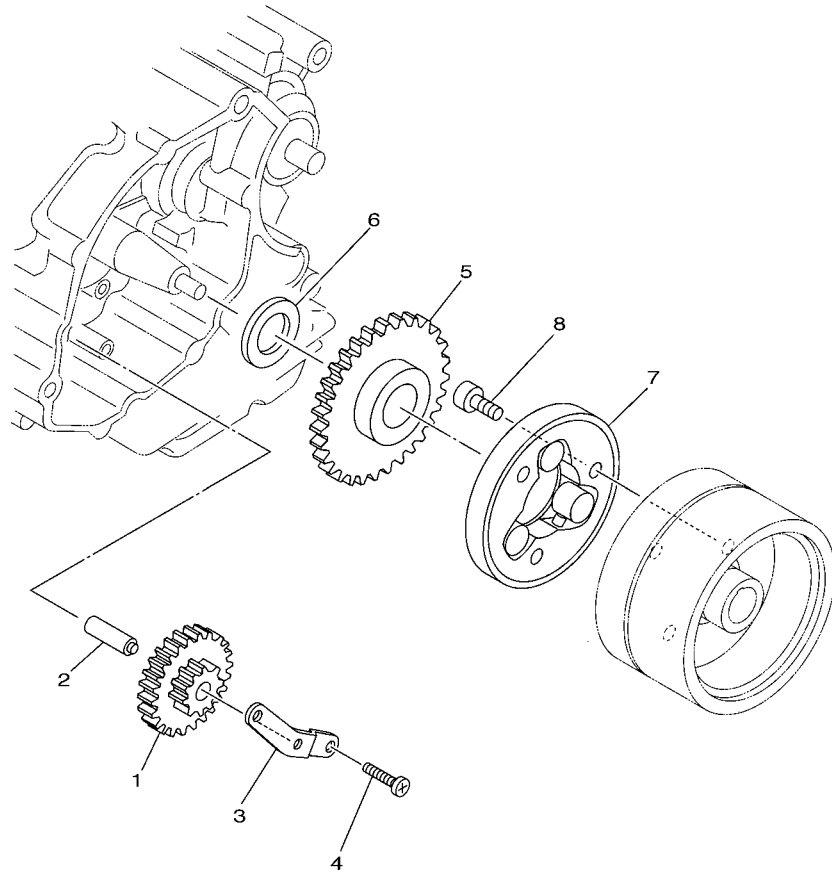


2D71516-C110

FIG. 11 STARTER

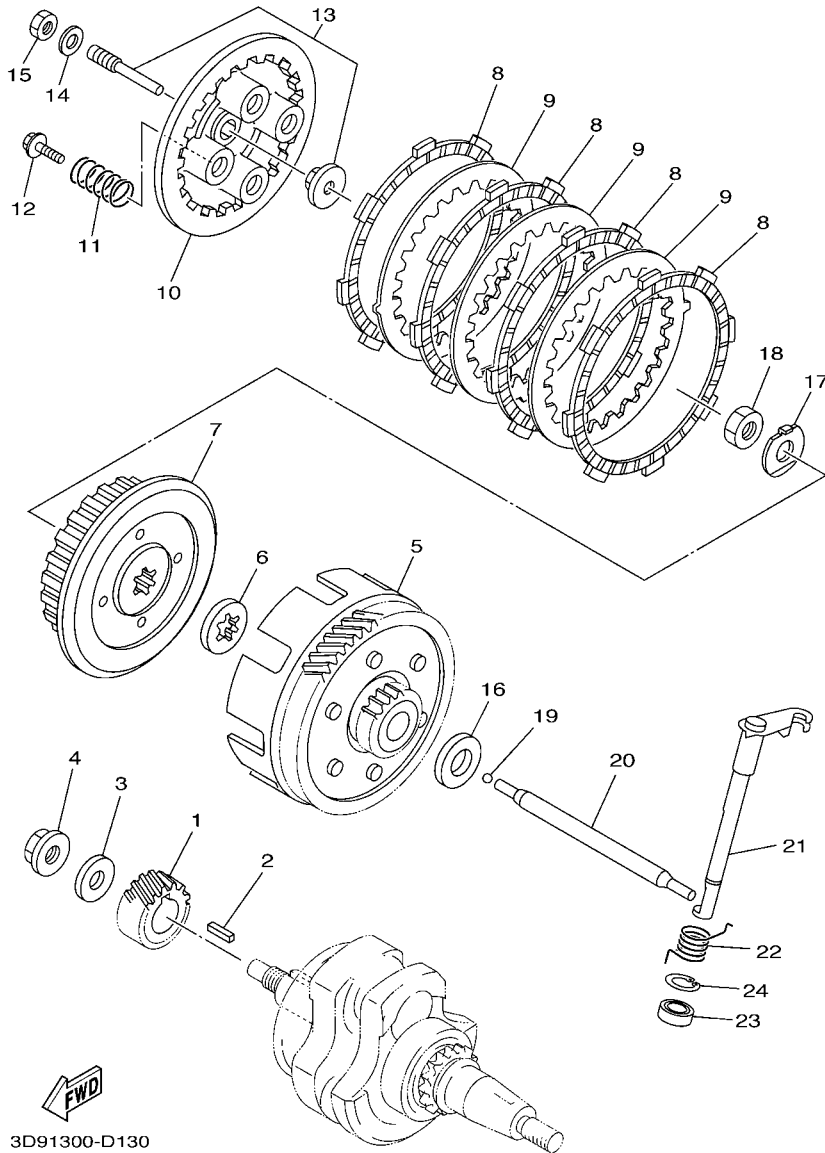
REF. NO.	PART NO.	DESCRIPTION	3D91				REMARKS
1	5VL-E5660-00	KICK AXLE ASSY	1				
2	4FP-E5641-00	GEAR, KICK	1				
3	90468-26813	CLIP	1				
4	90201-208D5	WASHER, PLATE	1				
5	90508-26836	SPRING, TORSION	1				
6	4FP-E5666-00	SPACER	1				
7	5VL-E5651-00	GEAR, KICK IDLE	1				
8	90201-152H7	WASHER, PLATE	2				
9	99009-15400	CIRCLIP	2				
10	5VL-E5620-00	KICK CRANK ASSY	1				
11	47V-E5618-00	.COVER, KICK LEVER	1				
12	90179-12813	NUT	1				
13	93109-20806	OIL SEAL	1				

**FIG. 12 STARTER CLUTCH**



5VL1415-B120

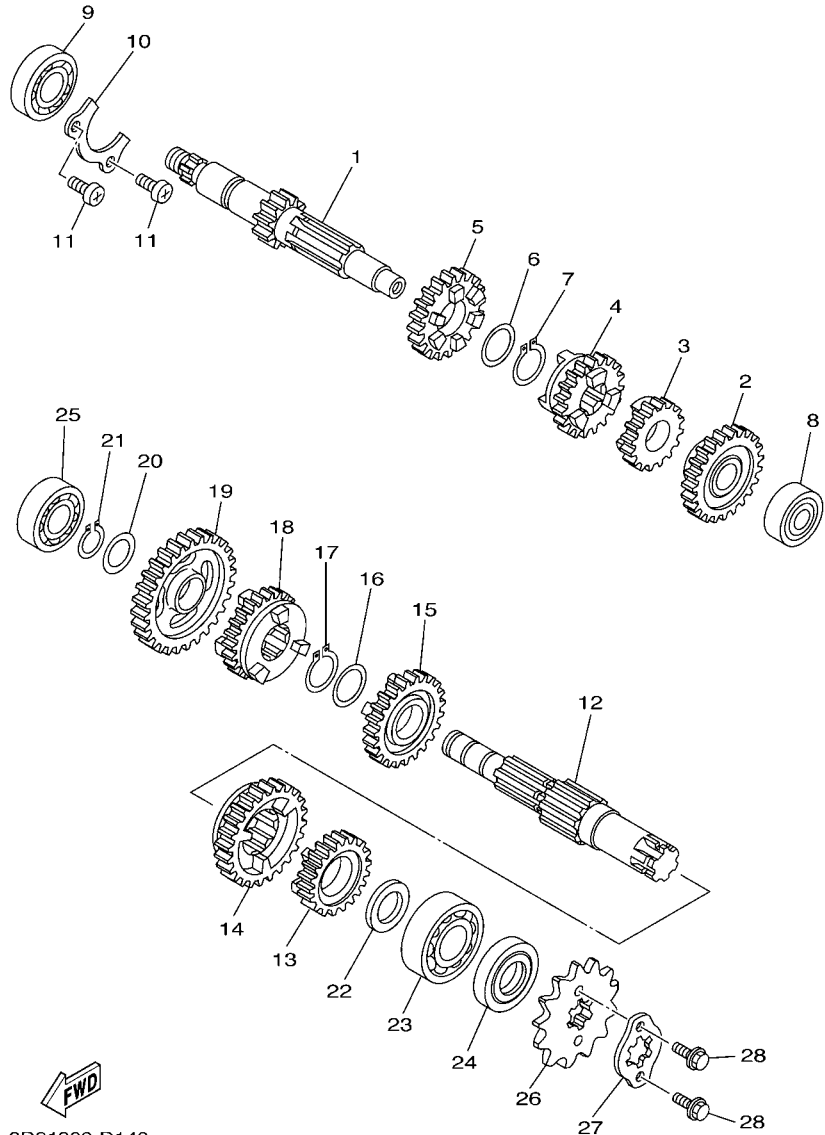
REF. NO.	PART NO.	DESCRIPTION	3D91				REMARKS
1	5VL-E5512-00	GEAR, IDLER 1	1				
2	5VL-E5521-00	SHAFT 1	1				
3	5VL-E5532-00	PLATE, IDLE GEAR	1				
4	9851L-06012	SCREW, PAN HEAD	2				
5	5VL-E5517-00	GEAR, IDLER 2	1				
6	90201-258D7	WASHER, PLATE	1				
7	4FP-E5580-00	STARTER CLUTCH OUTER ASSY	1				
8	9131N-08016	BOLT	3				
<hr/>							
<hr/>							
<hr/>							
<hr/>							
<hr/>							
<hr/>							
<hr/>							
<hr/>							
<hr/>							



3D91300-D130

FIG. 13 CLUTCH

REF. NO.	PART NO.	DESCRIPTION	3D91				REMARKS
1	5VL-E6111-00	GEAR, PRIMARY DRIVE	1				
2	90282-05001	KEY, STRAIGHT (5MMX16MM)	1				
3	90201-122H1	WASHER, PLATE	1				
4	90179-12813	NUT	1				
5	5VL-E6150-00	PRIMARY DRIVEN GEAR COMP.	1				
6	5VL-E6154-00	PLATE, THRUST 1	1				
7	5VL-E6371-00	BOSS, CLUTCH	1				
8	5VL-E6321-00	PLATE, FRICTION	4				
9	5VL-E6324-00	PLATE, CLUTCH 1	3				
10	5VL-E6351-00	PLATE, PRESSURE 1	1				
11	5VL-E6333-00	SPRING, CLUTCH 1	4				
12	5VL-E6337-00	SCREW, SPRING	4				
13	5VL-Y1635-00	PUSH LEVER COMP.	1				
14	9290N-06200	WASHER	1				
15	9530N-06600	NUT	1				
16	5VL-E6164-10	PLATE, THRUST 2	1				
17	90215-12211	WASHER, LOCK	1				
18	90170-12060	NUT	1				
19	93503-16824	BALL	1				
20	5VL-E6357-00	ROD, PUSH 2	1				
21	5VL-E6381-00	PUSH LEVER COMP.	1				
22	90508-16800	SPRING, TORSION	1				
23	93102-12802	OIL SEAL	1				
24	99009-20500	CIRCLIP	1				

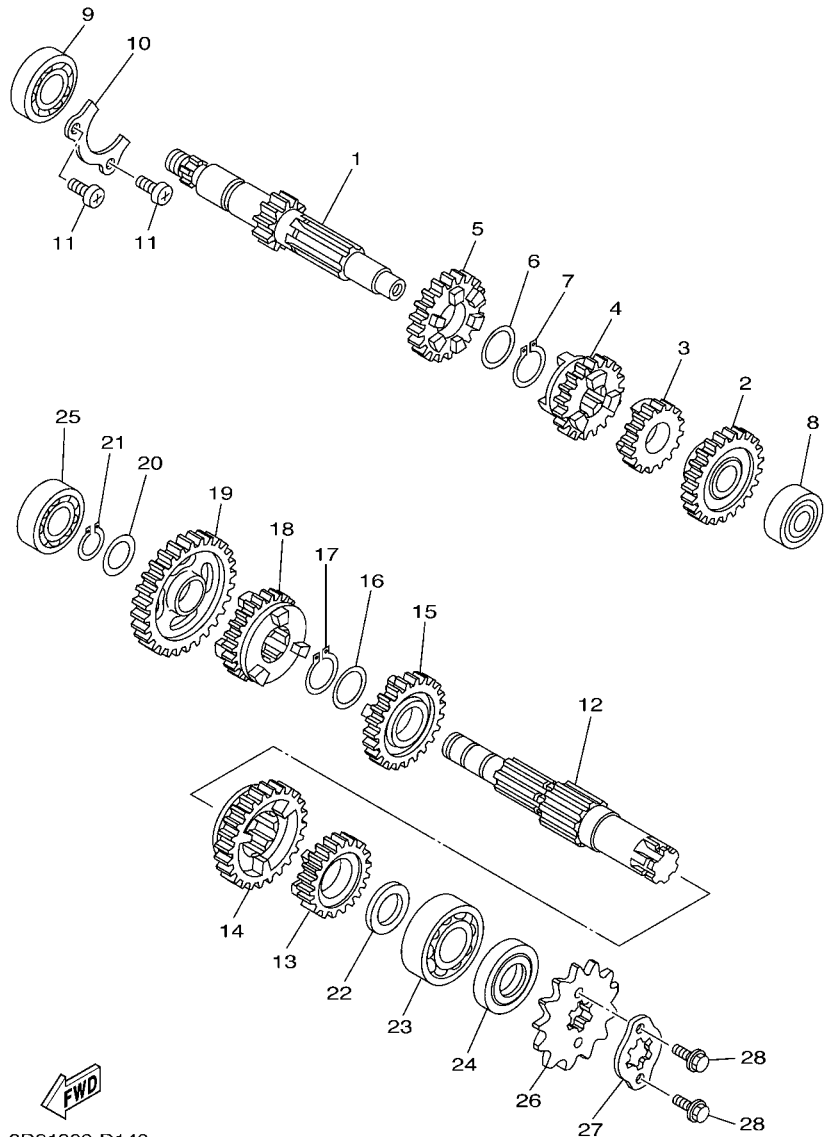


3D91300-D140

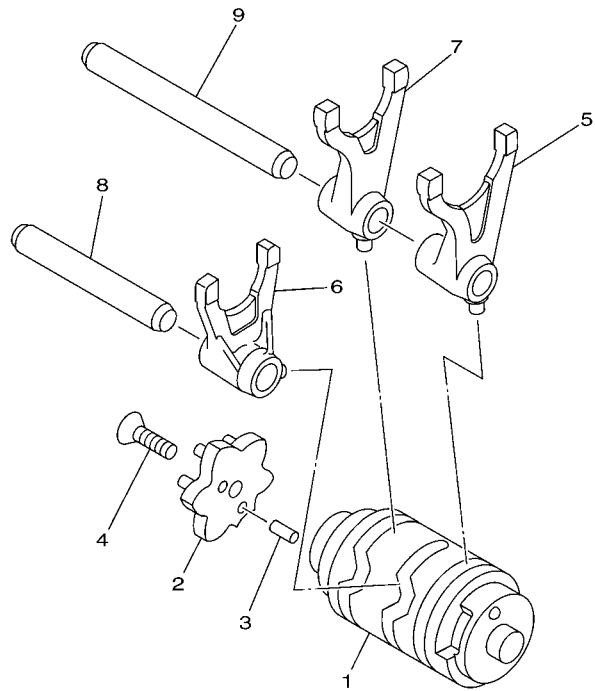
FIG. 14 TRANSMISSION

REF. NO.	PART NO.	DESCRIPTION	3D91				REMARKS
1	5VL-E7411-00	AXLE, MAIN (14T)	1				
2	3D9-17151-00	GEAR, 5TH PINION (24T)	1				
3	5VL-E7121-00	GEAR, 2ND PINION (19T)	1				
4	5VL-E7131-00	GEAR, 3RD PINION (19T)	1				
5	5VL-E7141-00	GEAR, 4TH PINION (22T)	1				
6	90201-20266	WASHER, PLATE (T=1.0)	1				
7	93410-20809	CIRCLIP	1				
8	93306-201Y8	BEARING	1				
9	93306-203YT	BEARING	1				
10	5VL-E7471-00	PLATE, COVER	1				
11	9851L-06012	SCREW, PAN HEAD	2				
12	5VL-Y1742-00	DRIVE AXLE ASSY	1				
13	3D9-17251-00	GEAR, 5TH WHEEL (21T)	1				
14	5VL-E7221-00	GEAR, 2ND WHEEL (32T)	1				
15	5VL-E7231-00	GEAR, 3RD WHEEL (25T)	1				
16	90201-20266	WASHER, PLATE (T=1.0)	1				
17	93410-20809	CIRCLIP	1				
18	5VL-E7241-00	GEAR, 4TH WHEEL (23T)	1				
19	5VL-E7211-00	GEAR, 1ST WHEEL (37T)	1				
20	90201-15700	WASHER, PLATE	1				
21	99009-15400	CIRCLIP	1				
22	90201-20272	WASHER, PLATE	1				
23	93306-204YD	BEARING	1				
24	93102-20854	OIL SEAL	1				
25	93306-20218	BEARING	1				NSK
26	93822-14043	SPROCKET,DRIVE (14T)	1				
27	4FP-E7456-00	HOLDER, SPROCKET	1				

FIG. 14 TRANSMISSION



REF. NO.	PART NO.	DESCRIPTION	3D91				REMARKS
28	9502N-06010	BOLT, FLANGE	2				



  
 5HP1100-0140

**FIG. 15 SHIFT CAM & FORK**

REF. NO.	PART NO.	DESCRIPTION	3D91				REMARKS
1	5VL-Y1854-01	SHIFT CAM ASSY	1				
2	5AP-18185-00	SEGMENT	1				
3	93604-10837	PIN, DOWEL	2				
4	90149-06830	SCREW	1				
5	5VL-E8511-00	FORK, SHIFT 1	1				
6	5VL-E8512-00	FORK, SHIFT 2	1				
7	5VL-E8513-00	FORK, SHIFT 3	1				
8	5VL-E8531-00	BAR, SHIFT FORK GUIDE 1	1				
9	5VL-E8535-00	BAR, SHIFT FORK GUIDE 2	1				

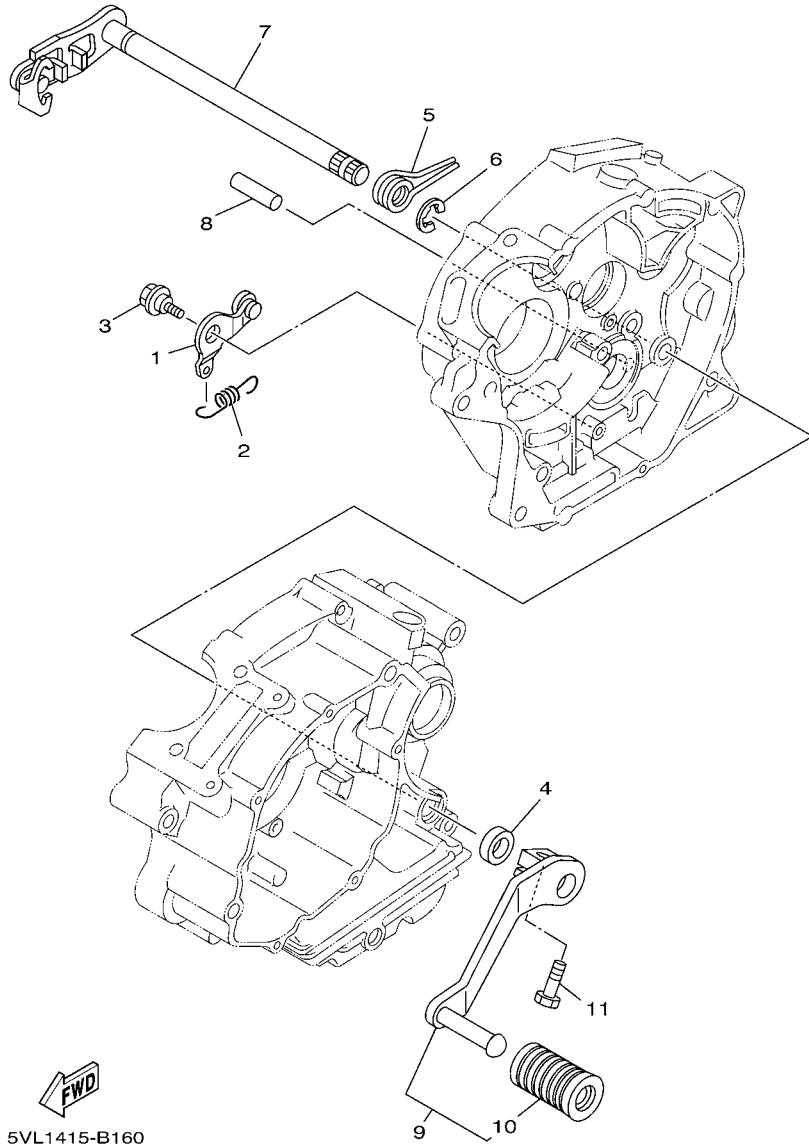
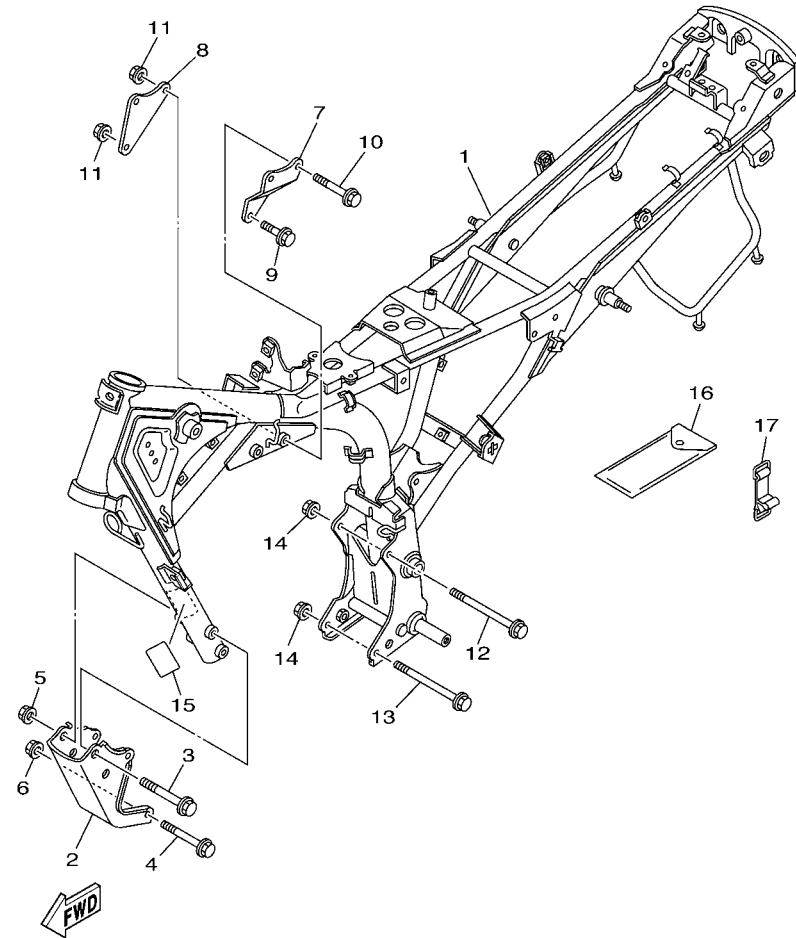


FIG. 16 SHIFT SHAFT

REF. NO.	PART NO.	DESCRIPTION	3D91				REMARKS
1	5VL-E8140-00	STOPPER LEVER ASSY	1				
2	5VL-E8337-00	SPRING	1				
3	4FP-E8177-00	BOLT, STOPPER	1				
4	93101-12812	OIL SEAL	1				
5	90508-32801	SPRING, TORSION	1				
6	99001-10600	CIRCLIP	1				
7	5VL-E8101-00	SHIFT SHAFT ASSY	1				
8	93608-30839	PIN, DOWEL	1				
9	5VL-E8110-00	SHIFT PEDAL ASSY	1				
10	1KL-E8113-00	.COVER, SHIFT PEDAL	1				
11	9702N-06020	BOLT	1				





3D91300-D170

FIG. 17 FRAME

REF. NO.	PART NO.	DESCRIPTION	3D91				REMARKS
1	3D9-F1110-00-33	FRAME COMP.	1				YB
2	5VL-F1316-00	STAY, ENGINE 3	1				
3	9581L-10080	BOLT, FLANGE	2				
4	90105-088A6	BOLT, FLANGE	2				
5	9570L-10500	NUT, FLANGE	2				
6	9570L-08500	NUT, FLANGE	2				
7	5VL-F1317-00	STAY, ENGINE 3	1				
8	5VL-F1318-00	STAY, ENGINE 5	1				
9	90105-08802	BOLT, FLANGE	1				
10	90105-08803	BOLT, FLANGE	2				
11	9570L-08500	NUT, FLANGE	3				
12	90105-08007	BOLT, FLANGE	1				
13	90105-08006	BOLT, FLANGE	1				
14	9570L-08500	NUT, FLANGE	2				
15	3D9-2118N-01	LABEL	1				
16	3D9-F8100-00	TOOL KIT	1				
17	5VL-F811G-00	BAND	1				

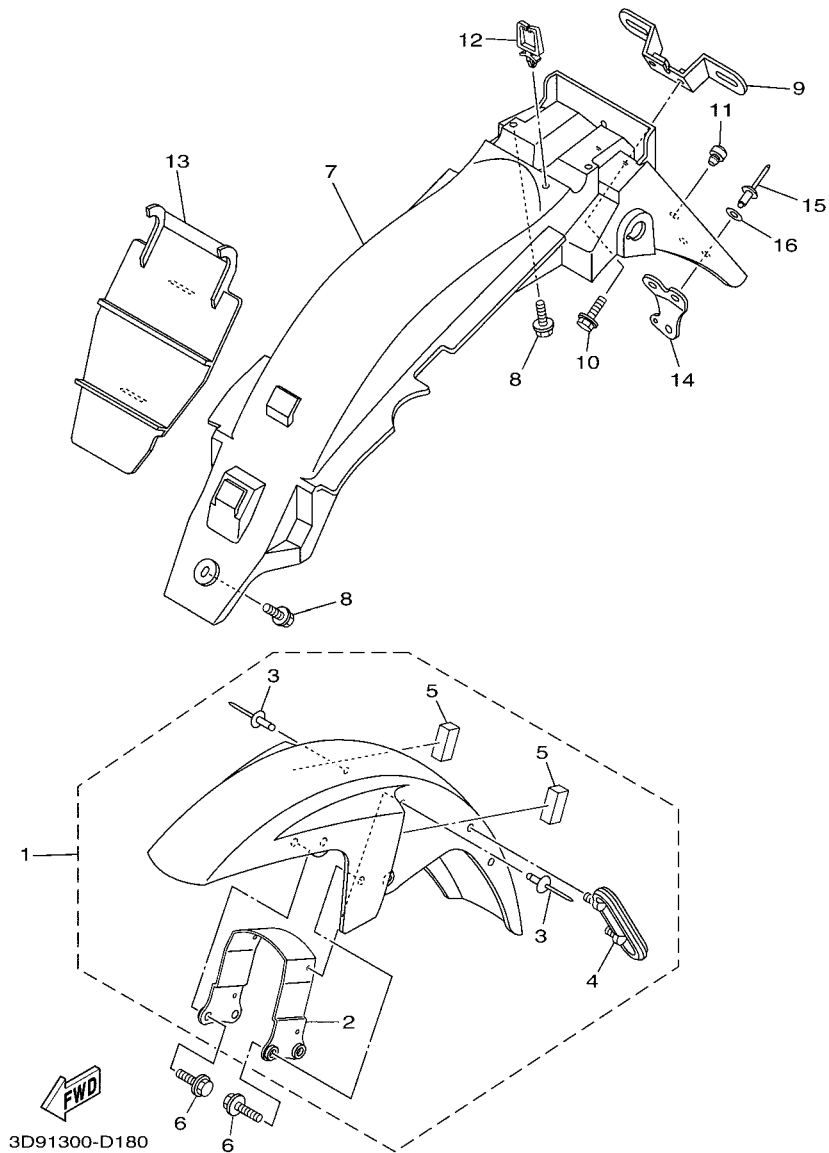
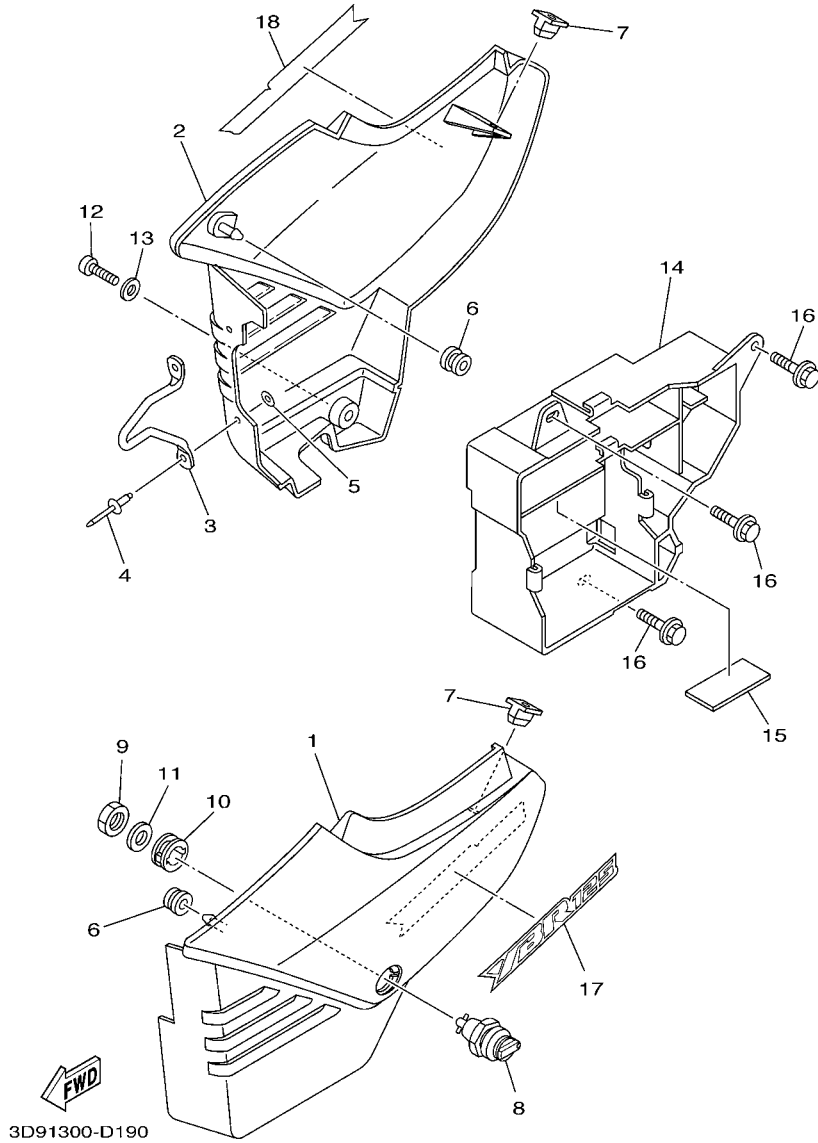


FIG. 18 FENDER

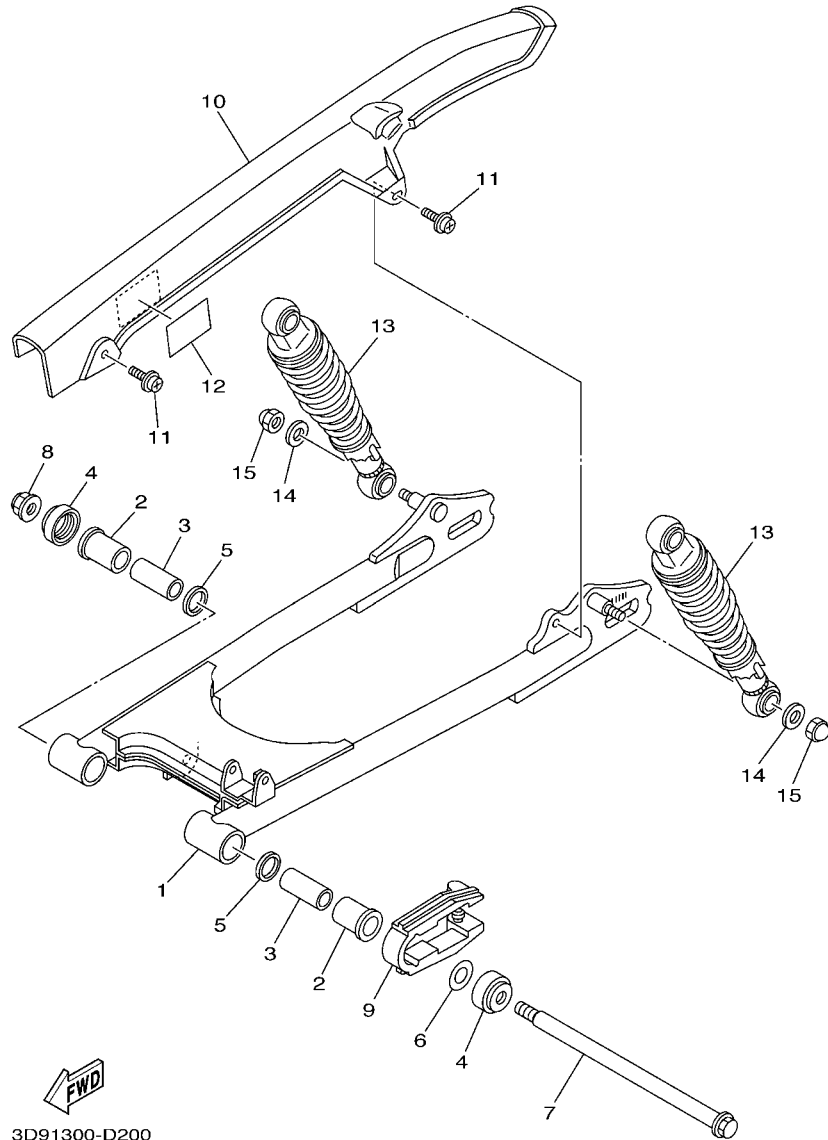
REF. NO.	PART NO.	DESCRIPTION	3D91				REMARKS
1	5VL-Y2151-11-P1	FRONT FENDER COMP.	1				UR DPBMC
	5VL-Y2151-11-FE	FRONT FENDER COMP.	1				UR MRE
	5VL-Y2151-11-P2	FRONT FENDER COMP.	1				UR LGM3
	5VL-Y2151-11-P3	FRONT FENDER COMP.	1				UR SMX
2	5VL-F1513-00	.STAY, FENDER 1	1				
3	90267-48854	.RIVET, BLIND	2				
4	5VL-F1518-01	.HOLDER, CABLE	1				
5	5VL-F1541-00	.DAMPER 1	2				
6	9582L-06016	BOLT, FLANGE	4				
7	3D9-F1611-00	FENDER, REAR	1				
8	90119-06809	BOLT, WITH WASHER	3				
9	3D9-F1685-00	BRACKET, LICENSE	1				
10	90119-06809	BOLT, WITH WASHER	2				
11	90338-06801	PLUG	1				
12	90464-12803	CLAMP	2				
13	5VL-F1621-00	FLAP	1				
14	3D9-F1641-00	BRACKET, REFLECTOR	1				
15	90267-40802	RIVET, BLIND	2				
16	90201-04803	WASHER, PLATE	2				

FIG. 19 SIDE COVER



REF. NO.	PART NO.	DESCRIPTION	3D91				REMARKS
1	5VL-F1711-00-4X	COVER, SIDE 1	1				UR DPBMC
	5VL-F1711-00-0X	COVER, SIDE 1	1				UR MRE
	5VL-F1711-00-5X	COVER, SIDE 1	1				UR LGM3
	5VL-F1711-00-3X	COVER, SIDE 1	1				UR SMX
2	3D9-F1721-00-4X	COVER, SIDE 2	1				UR DPBMC
	3D9-F1721-00-0X	COVER, SIDE 2	1				UR MRE
	3D9-F1721-00-5X	COVER, SIDE 2	1				UR LGM3
	3D9-F1721-00-3X	COVER, SIDE 2	1				UR SMX
3	3D9-F172W-00	COVER	1				
4	90267-40802	RIVET, BLIND	2				
5	90201-04803	WASHER, PLATE	2				
6	90480-13837	GROMMET	2				
7	5VL-F1778-00	DAMPER, LOCATING 1	2				
8	5VL-F1780-00	LOCK ASSY	1				
9	90170-22850	NUT	1				
10	90480-24186	GROMMET	1				
11	90201-228F6	WASHER, PLATE	1				
12	9890L-06020	SCREW, BIND	1				
13	90201-064H0	WASHER, PLATE	1				
14	5VL-F177G-00	BOX, BATTERY	1				
15	5VL-F1746-00	DAMPÉR	1				
16	90119-06809	BOLT, WITH WASHER	3				
17	3D9-F173E-00	GRAPHIC 1	1				
18	3D9-F173E-00	GRAPHIC 1	1				

**FIG. 20 REAR ARM & SUSPENSION**



3D91300-D200

REF. NO.	PART NO.	DESCRIPTION	3D91				REMARKS
1	5VL-F2110-00-33	REAR ARM COMP.	1				YB
2	90386-18099	BUSH	2				
3	5VL-F2123-00	BUSH 1	2				
4	5VL-F2128-00	COVER, THRUST 1	2				
5	93109-18809	OIL SEAL	2				
6	5VL-F2127-00	SHIM	1				UN
7	5VL-F2141-00	SHAFT, PIVOT	1				
8	95604-12200	NUT, SELF-LOCKING	1				
9	5VL-F2151-00	SEAL, GUARD	1				
10	5VL-F2311-00	CASE, CHAIN	1				
11	90159-06830	SCREW, WITH WASHER	2				
12	3D9-F1668-00	LABEL, TIRE	1				
13	5VL-F2210-00	SHOCK ABSORBER ASSY, REAR	2				
14	90201-108C7	WASHER, PLATE	4				
15	90176-10810	NUT, CROWN	4				

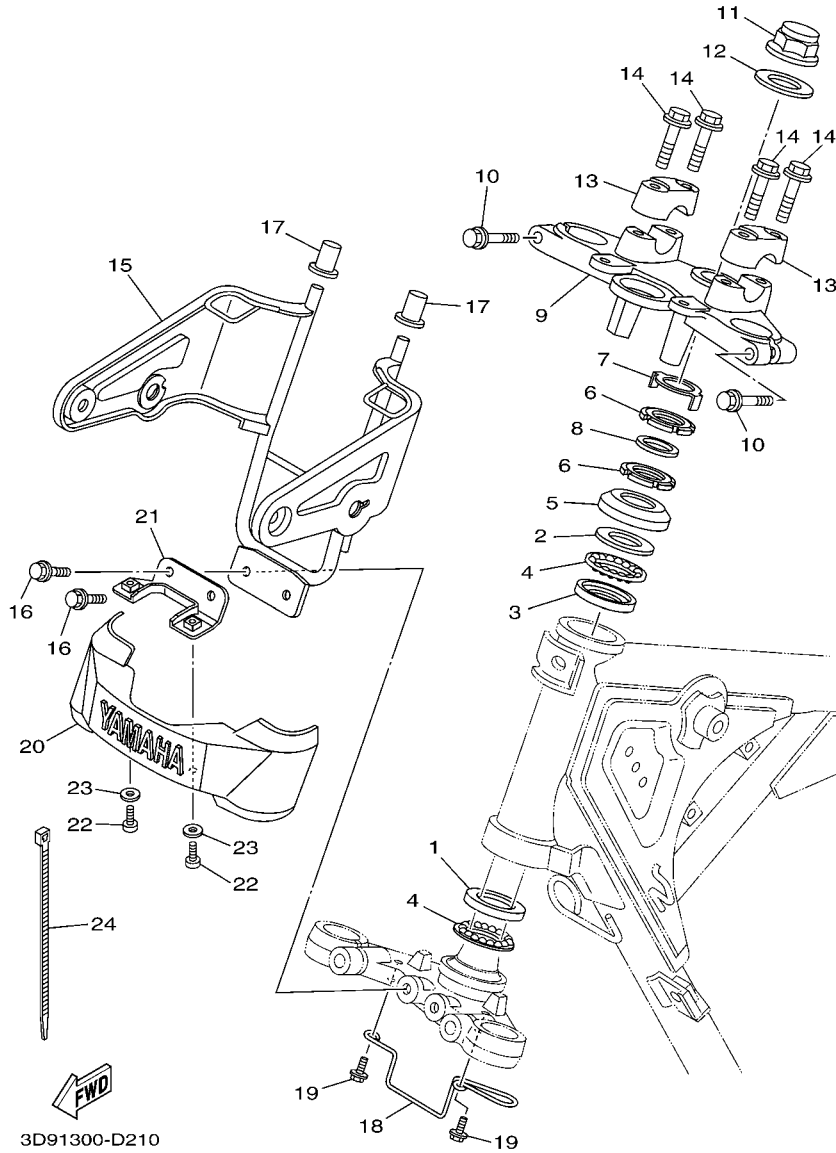
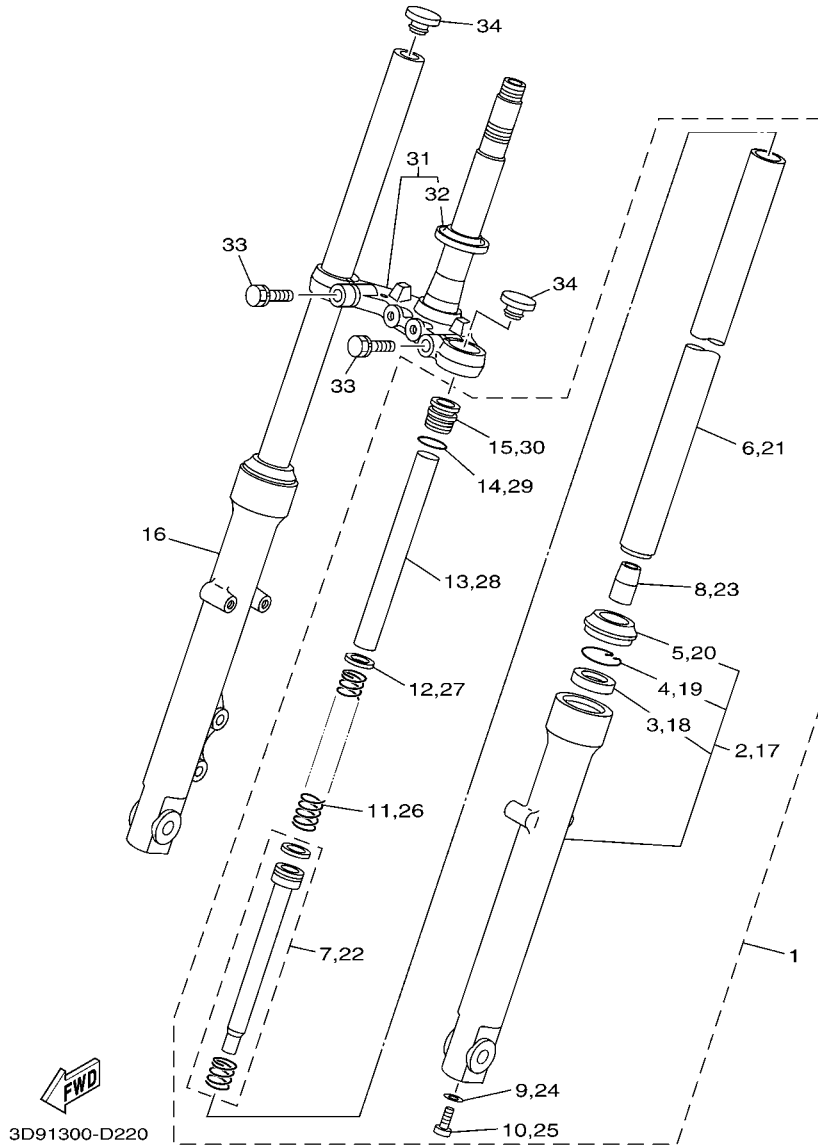


FIG. 21 STEERING

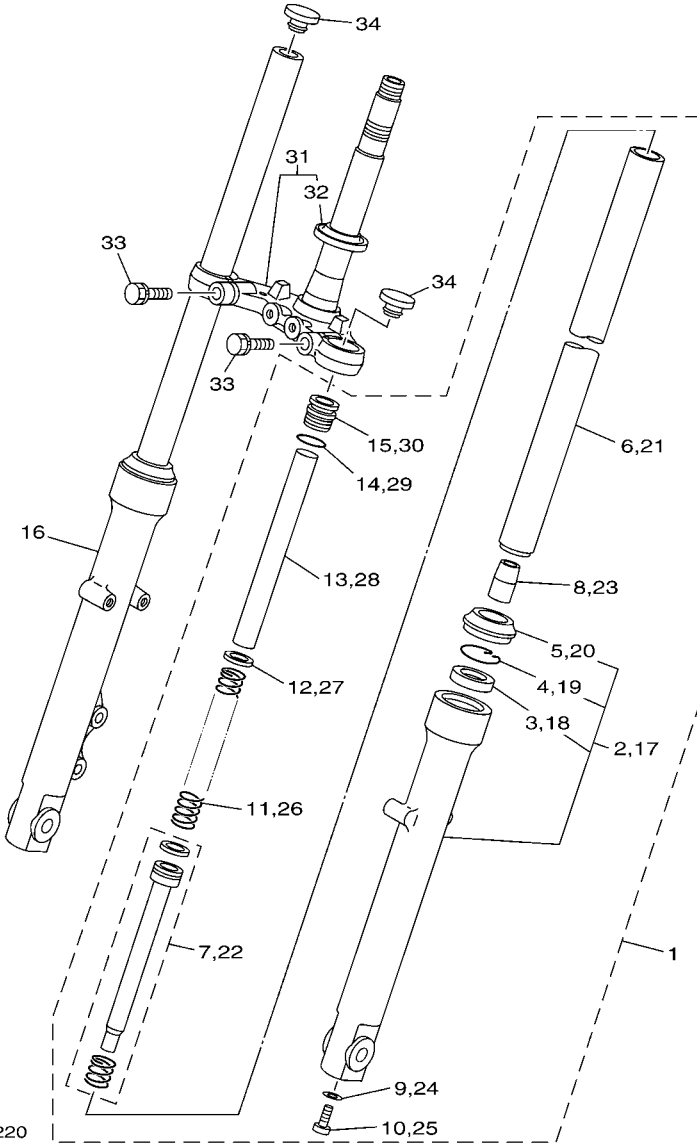
REF. NO.	PART NO.	DESCRIPTION	3D91				REMARKS
1	1KL-F3412-00	RACE, BALL 2	1				
2	4FP-F3411-00	RACE, BALL 1	1				
3	4FP-F3412-00	RACE, BALL 2	1				
4	5VL-F341E-00	RETAINER, BALL BEARING	2				
5	4GU-F3416-00	COVER, BALL RACE 2	1				
6	90179-25615	NUT	2				
7	5VL-F3418-00	WASHER, SPECIAL	1				
8	90202-26142	WASHER, PLATE	1				
9	5VL-F3435-00-33	CROWN, HANDLE	1				YB
10	9502L-08040	BOLT, FLANGE	2				
11	90176-22800	NUT, CROWN	1				
12	5VL-F3165-00	WASHER, FELT	1				
13	5VL-F3441-00	HOLDER, HANDLE UPPER	2				
14	9502L-08035	BOLT, FLANGE	4				
15	3D9-F3174-00	STAY, HEADLIGHT	1				
16	9582L-06016	BOLT, FLANGE	2				
17	4FP-F317J-00	DAMPER 1	2				
18	5VL-F3389-00	GUIDE, CABLE	1				
19	9582N-06012	BOLT, FLANGE	2				
20	4FP-F3395-10	EMBLEM	1				
21	5VL-F334G-10	BRACKET 1	1				
22	9851N-05016	SCREW, PAN HEAD	2				
23	90201-05802	WASHER, PLATE	2				
24	90464-70801	CLAMP	1				

FIG. 22 FRONT FORK



REF. NO.	PART NO.	DESCRIPTION	3D91				REMARKS
1	3D9-F3102-00	FRONT FORK ASSY (L.H)	1				
2	3D9-F3106-00	.OUTER TUBE COMP. (L.H)	1				
3	4GU-F3145-00	..OIL SEAL	1				
4	5AP-F3153-00	..RING, SNAP	1				
5	4GU-F3144-00	..SEAL, DUST	1				
6	5VL-F3110-01	..INNER TUBE COMP.1	1				
7	5VL-F3170-00	.CYLINDER COMP., FRONT FORK	1				
8	5AP-F3166-00	.SPACER, OIL LOCK	1				
9	4TU-F3479-00	.GASKET	1				
10	5LK-F3356-00	.BOLT 2	1				
11	5VL-F3141-00	.SPRING, FRONT FORK	1				
12	5AP-F3427-00	.WASHER	1				
13	5VL-F3118-00	.SPACER	1				
14	5AP-F3147-00	.O-RING	1				
15	4GU-F3111-00	.BOLT, CAP	1				
16	3D9-F3103-00	FRONT FORK ASSY (R.H)	1				
17	3D9-F3107-00	.OUTER TUBE COMP. (R.H)	1				
18	4GU-F3145-00	..OIL SEAL	1				
19	5AP-F3153-00	..RING, SNAP	1				
20	4GU-F3144-00	..SEAL, DUST	1				
21	5VL-F3110-01	..INNER TUBE COMP.1	1				
22	5VL-F3170-00	.CYLINDER COMP., FRONT FORK	1				
23	5AP-F3166-00	.SPACER, OIL LOCK	1				
24	4TU-F3479-00	.GASKET	1				
25	5LK-F3356-00	.BOLT 2	1				
26	5VL-F3141-00	.SPRING, FRONT FORK	1				
27	5AP-F3427-00	.WASHER	1				

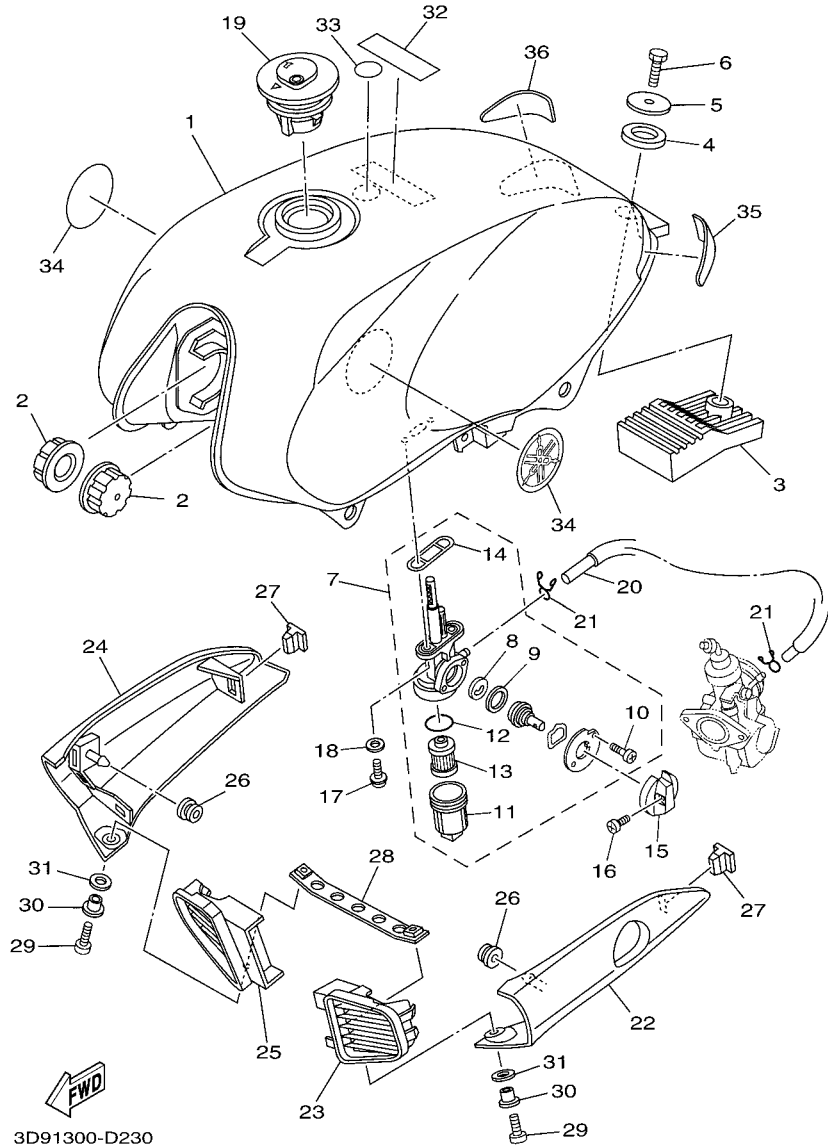
FIG. 22 FRONT FORK



3D91300-D220

REF. NO.	PART NO.	DESCRIPTION	3D91					REMARKS
28	5VL-F3118-00	.SPACER	1					
29	5AP-F3147-00	.O-RING	1					
30	4GU-F3111-00	.BOLT, CAP	1					
31	5VL-F331X-00	BRACKET, UNDER	1					
32	4FP-F3411-10	.RACE, BALL 1	1					
33	5VL-F3346-00	BOLT 1	2					
34	5VL-F3168-00	CAP, FRONT FORK	2					

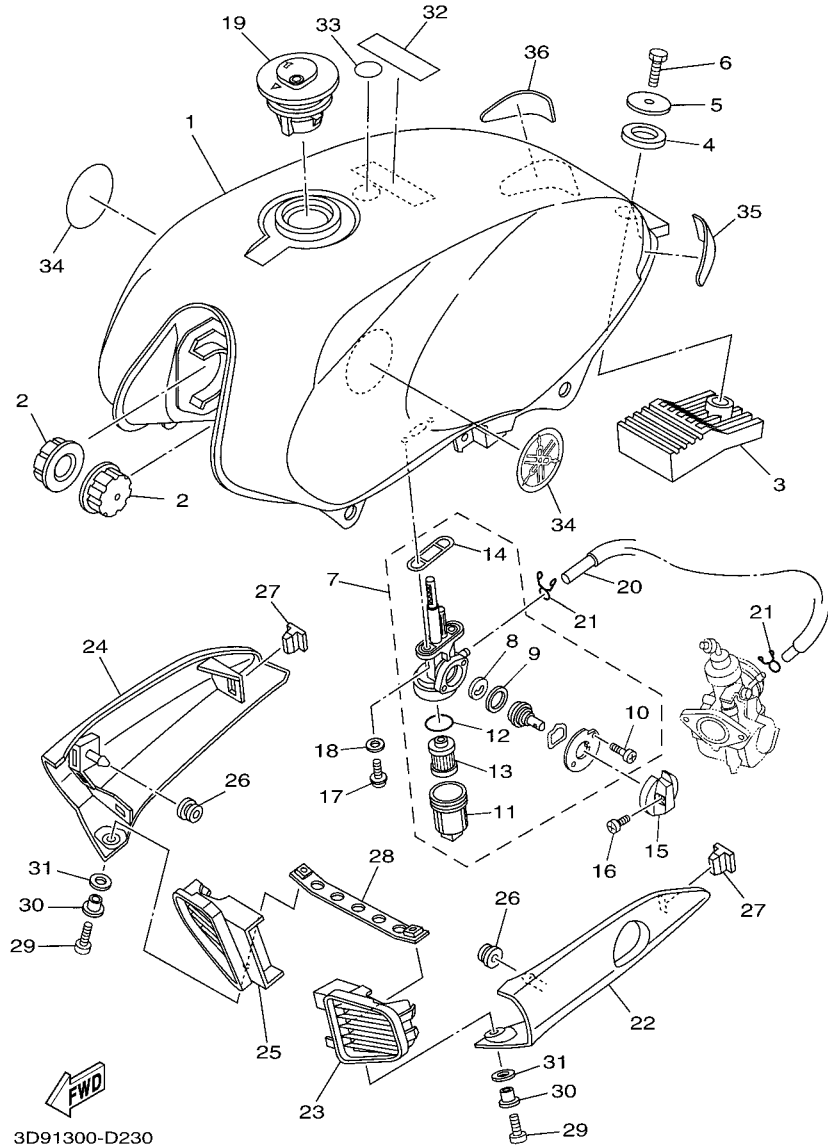
FIG. 23 FUEL TANK



REF. NO.	PART NO.	DESCRIPTION	3D91				REMARKS
1	3D9-F4110-00-P0	FUEL TANK COMP.	1				UR DPBMC
	3D9-F4110-00-FE	FUEL TANK COMP.	1				UR MRE
	3D9-F4110-00-P1	FUEL TANK COMP.	1				UR LGM3
	3D9-F4110-00-P2	FUEL TANK COMP.	1				UR SMX
2	4FP-F4181-00	DAMPER, LOCATING 1	2				
3	5VL-F4183-00	DAMPER, LOCATING 3	1				
4	5VL-F4182-00	DAMPER, LOCATING 2	1				
5	90201-088P2	WASHER, PLATE	1				
6	9700N-08016	BOLT	1				
7	3D9-F4500-00	FUEL COCK ASSY 1	1				
8	3D9-24523-00	.VALVE	1				
9	3AJ-24534-00	.SEAL, COCK	1				
10	97880-03008	.SCREW, PAN HEAD	2				
11	55K-24521-00	.CUP, FILTER	1				
12	55K-24565-00	.O-RING	1				
13	55K-24515-01	.NET, FILTER 2	1				
14	4X8-24512-00	.O-RING	1				
15	5VL-F4524-01	LEVER, COCK	1				
16	90157-03800	SCREW, PAN HEAD	1				
17	90159-06820	SCREW, WITH WASHER	2				
18	90430-05800	GASKET	2				
19	5VL-F4610-01	CAP ASSY	1				
20	5VL-F4311-00	PIPE, FUEL 1	1				
21	90467-09854	CLIP	2				
22	5VL-F137W-00	SCOOP, AIR 1	1				
23	5VL-F137U-01	GUIDE, AIR 1	1				
24	5VL-F137X-00	SCOOP, AIR 2	1				

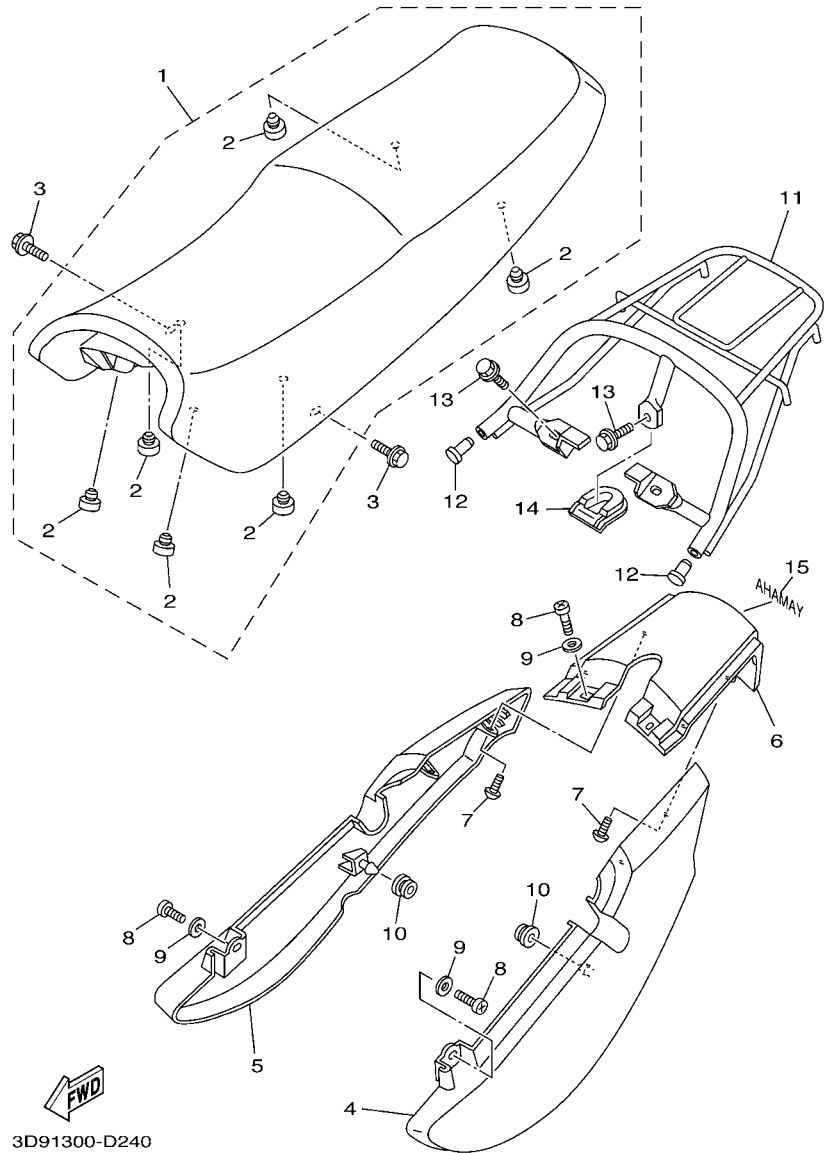


**FIG. 23 FUEL TANK**



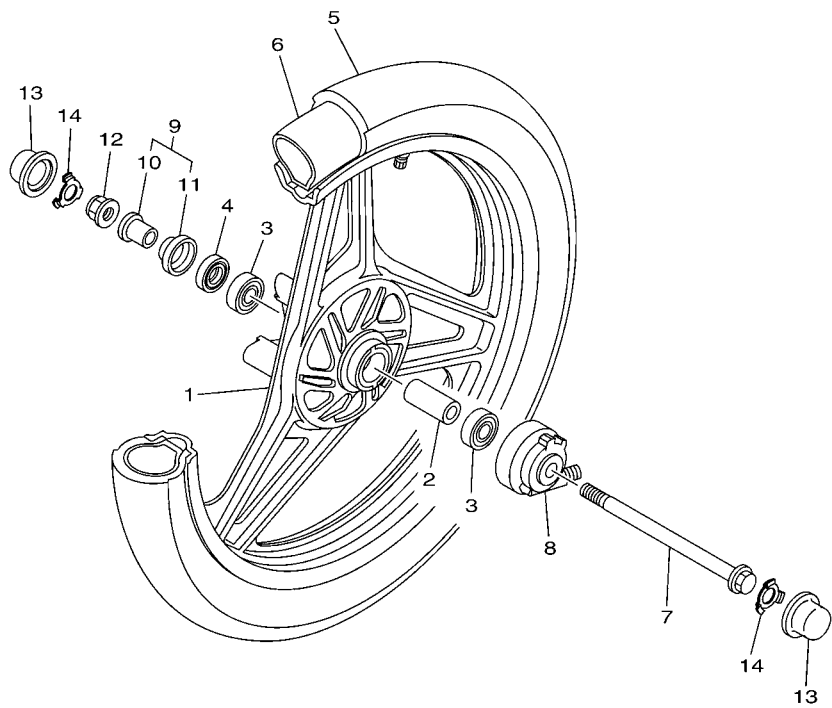
REF. NO.	PART NO.	DESCRIPTION	3D91				REMARKS
25	5VL-F137V-01	GUIDE, AIR 2	1				
26	90480-13837	GROMMET	2				
27	5VL-F1778-00	DAMPER, LOCATING 1	2				
28	5VL-F4216-00	STAY	1				
29	9851N-06020	SCREW, PAN HEAD	2				
30	90387-061N6	COLLAR	2				
31	90202-09800	WASHER, PLATE	2				
32	5PA-21568-00	LABEL, WARNING	1				
33	3ME-2415E-01	LABEL, CAUTION	1				
34	2B9-F411B-00	EMBLEM	2				
35	3D9-2414G-00	SEAL	1				
36	3D9-2414E-00	SEAL 2	1				

FIG. 24 SEAT



REF. NO.	PART NO.	DESCRIPTION	3D91				REMARKS
1	5VL-F4730-10	DOUBLE SEAT ASSY	1				
2	4TU-F4741-00	.PAD, SEAT	6				
3	90119-06809	BOLT, WITH WASHER	2				
4	5VL-F471K-00-P1	COVER, TAIL 1	1				UR DPBMC
	5VL-F471K-00-FE	COVER, TAIL 1	1				UR MRE
	5VL-F471K-00-P2	COVER, TAIL 1	1				UR LGM3
	5VL-F471K-00-P3	COVER, TAIL 1	1				UR SMX
5	5VL-F472K-00-P1	COVER, TAIL 2	1				UR DPBMC
	5VL-F472K-00-FE	COVER, TAIL 2	1				UR MRE
	5VL-F472K-00-P2	COVER, TAIL 2	1				UR LGM3
	5VL-F472K-00-P3	COVER, TAIL 2	1				UR SMX
6	5VL-F4756-00-P1	COVER, TAIL	1				UR DPBMC
	5VL-F4756-00-FE	COVER, TAIL	1				UR MRE
	5VL-F4756-00-P2	COVER, TAIL	1				UR LGM3
	5VL-F4756-00-P3	COVER, TAIL	1				UR SMX
7	9770N-50012	SCREW, TAPPING	4				
8	9851N-06016	SCREW, PAN HEAD	4				
9	90201-064H0	WASHER, PLATE	4				
10	90480-01868	GROMMET	2				
11	3D9-F4773-00	HANDLE, SEAT	1				
12	3D9-F4481-00	PLUG	2				
13	9581N-08016	BOLT, FLANGE	3				
14	3D9-F4796-00	COVER	1				
15	99234-00080	EMBLEM, YAMAHA	1				EXCEPT FOR LGM3
	99236-00080	EMBLEM, YAMAHA	1				FOR LGM3

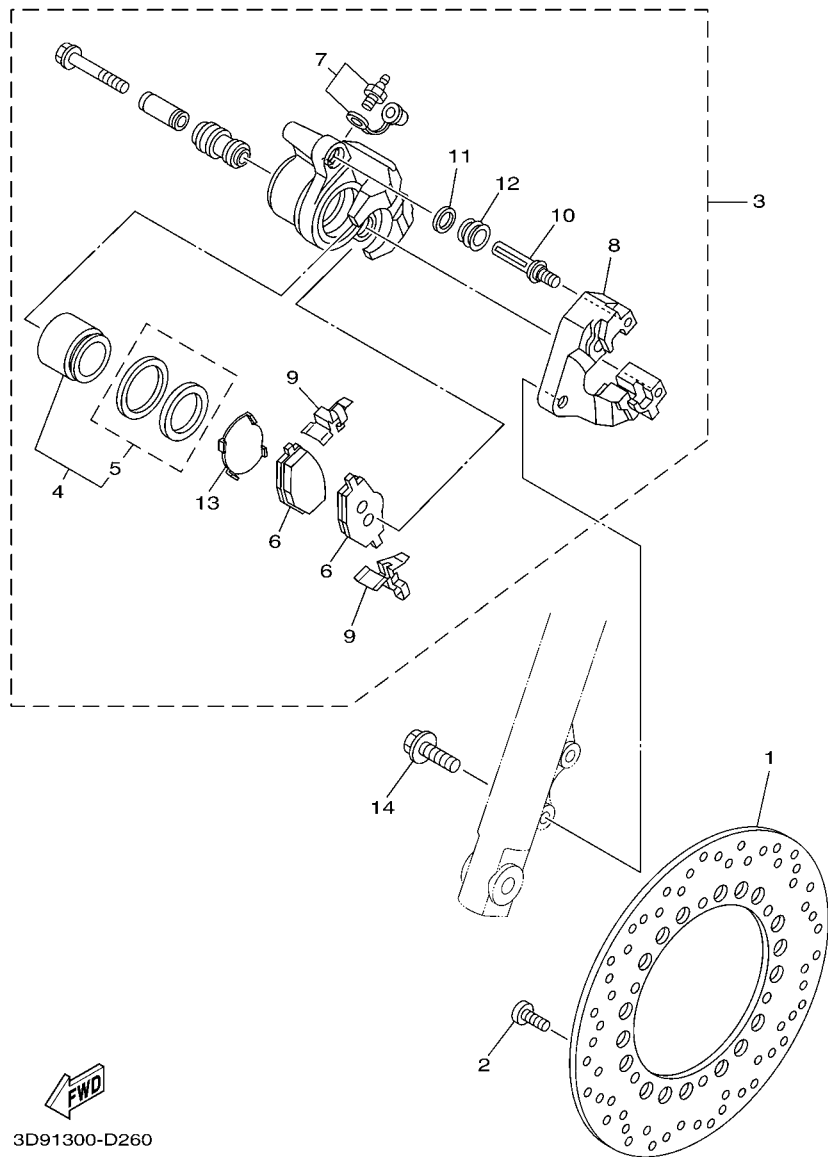
**FIG. 25 FRONT WHEEL**



REF. NO.	PART NO.	DESCRIPTION	3D91				REMARKS
1	4GU-F5168-10-33	CAST WHEEL, FRONT	1				YB
2	90560-15293	SPACER	1				
3	93306-202Y4	BEARING	2				
4	93102-20857	OIL SEAL	1				
5	94127-18823	TIRE (2.75-18 S901 42P 4PR)	1				CHENG SHIN
6	94227-18808	TUBE (2.75-18 TR4)	1				
7	5VL-F5181-10	AXLE, WHEEL	1				
8	4GU-F5190-10	GEAR UNIT ASSY	1				
9	4GU-F511X-00	COLLAR	1				
10	90387-158K1	.COLLAR	1				
11	4GU-F5118-00	.COVER, HUB DUST	1				
12	9560L-14200	NUT, SELF-LOCKING	1				
13	3D9-F5188-00	CAP	2				
14	90209-16802	WASHER	2				

  
3D91300-D250

**FIG. 26 FRONT BRAKE CALIPER**



  
3D91300-D260

REF. NO.	PART NO.	DESCRIPTION	3D91				REMARKS
1	5VL-F582U-00	DISK, BRAKE (RIGHT)	1				
2	90111-08805	BOLT	6				
3	5VL-F580U-10	CALIPER ASSY (RIGHT)	1				
4	5VL-W0057-00	.PISTON ASSY, CALIPER	1				
5	5VL-W0047-00	..CALIPER SEAL KIT	1				
6	4KL-F5811-00	.PAD, CALIPER 2	2				
7	5VL-W0048-00	.BLEED SCREW KIT	1				
8	5VL-F5921-00	.BRACKET, SUPPORT	1				
9	5VL-F5977-00	.SPRING, RETURN	2				
10	5VL-F5744-00	.PIN 2	1				
11	5VL-F5922-00	.WASHER	1				
12	5VL-F5917-00	.BOOT, CALIPER	1				
13	5VL-F5817-00	.SEAL, CALIPER	1				
14	90105-10852	BOLT, FLANGE	2				

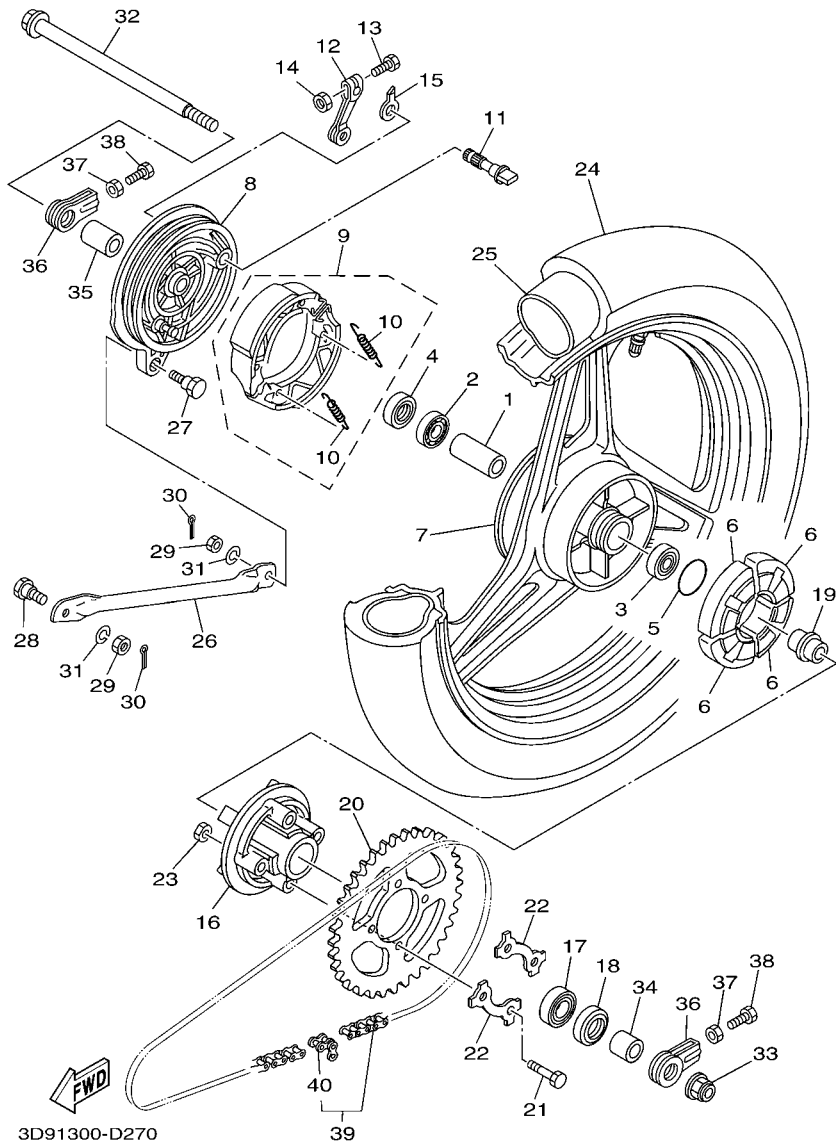


FIG. 27 REAR WHEEL

REF. NO.	PART NO.	DESCRIPTION	3D91				REMARKS
1	90560-15136	SPACER	1				
2	93306-202Y4	BEARING	1				
3	93306-202Y1	BEARING	1				
4	93104-22805	OIL SEAL	1				
5	93210-42807	O-RING	1				
6	1KL-F5364-00	DAMPER	4				
7	4GU-F5338-10-33	CAST WHEEL, REAR	1				YB
8	5VL-F5321-00-33	PLATE, BRAKE SHOE	1				YB
9	3FA-W253A-00	BRAKE SHOE KIT	1				
10	90506-15848	.SPRING, TENSION	2				
11	4GU-F5351-01	CAMSHAFT	1				
12	5VL-F5355-00	LEVER, CAMSHAFT	1				
13	90101-06848	BOLT	1				
14	9530N-06600	NUT	1				
15	4GU-F533A-00	PLATE, INDICATOR	1				
16	5VL-F5366-00	CLUTCH, HUB	1				
17	93306-004YL	BEARING	1				
18	93106-26801	OIL SEAL	1				
19	5VL-F5387-00	AXLE, SPROCKET	1				
20	5VL-F5445-00	SPROCKET, DRIVEN (45T)	1				
21	90109-08864	BOLT	4				
22	5LK-F5412-00	WASHER	2				
23	90179-08639	NUT	4				
24	94109-18805	TIRE (90/90-18 S180 57P)	1				CHENG SHIN
25	94227-18808	TUBE (2.75-18 TR4)	1				
26	5VL-F5371-00	BAR, TENSION	1				
27	90109-08847	BOLT	1				

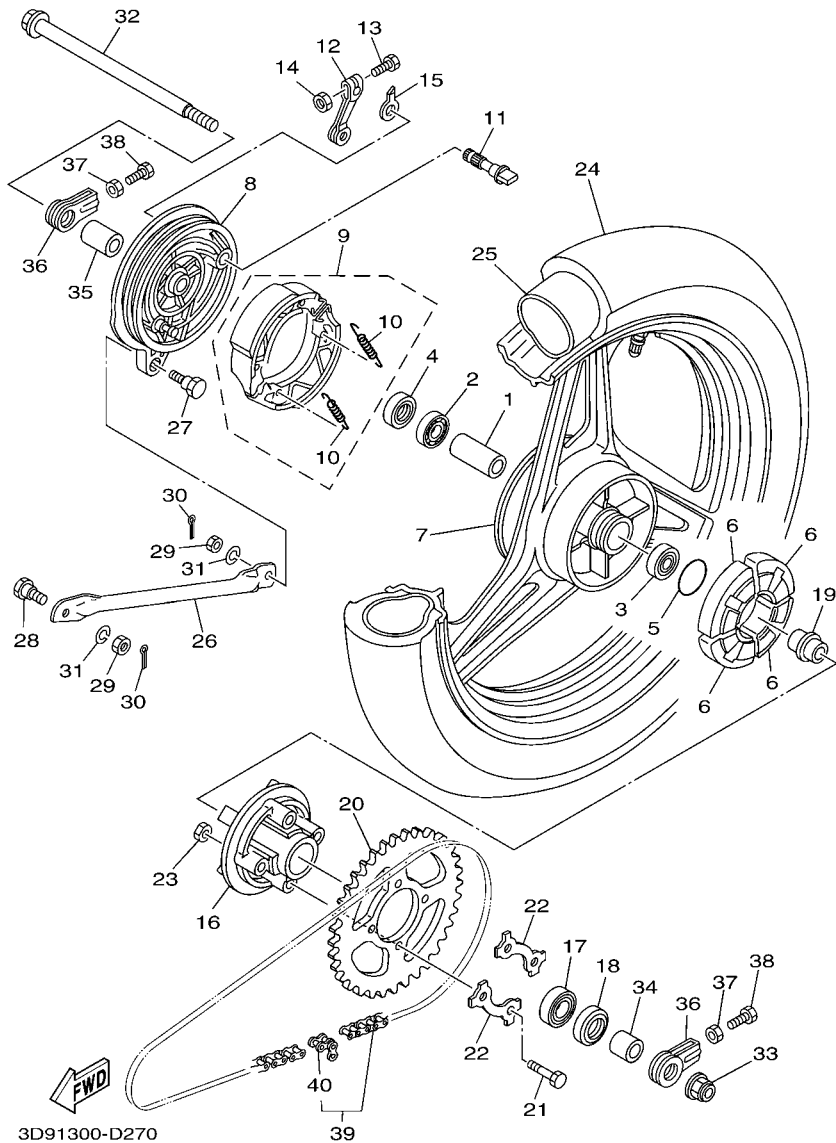


FIG. 27 REAR WHEEL

REF. NO.	PART NO.	DESCRIPTION	3D91				REMARKS
28	90109-08848	BOLT	1				
29	9531L-08600	NUT	2				
30	91401-20012	PIN, COTTER	2				
31	9290N-08100	WASHER, SPRING	2				
32	5VL-F5381-00	AXLE, WHEEL	1				
33	9560L-14200	NUT, SELF-LOCKING	1				
34	5VL-F5386-00	COLLAR, SPROCKET AXLE	1				
35	5VL-F5377-00	COLLAR, WHEEL	1				
36	5VL-F5388-00	PULLER, CHAIN 1	2				
37	9531L-08600	NUT	2				
38	90153-08804	SCREW, HEXAGON	2				
39	94581-33118	CHAIN	1				
40	94681-33011	.JOINT, CHAIN (DID 428V2-FJ)	1				

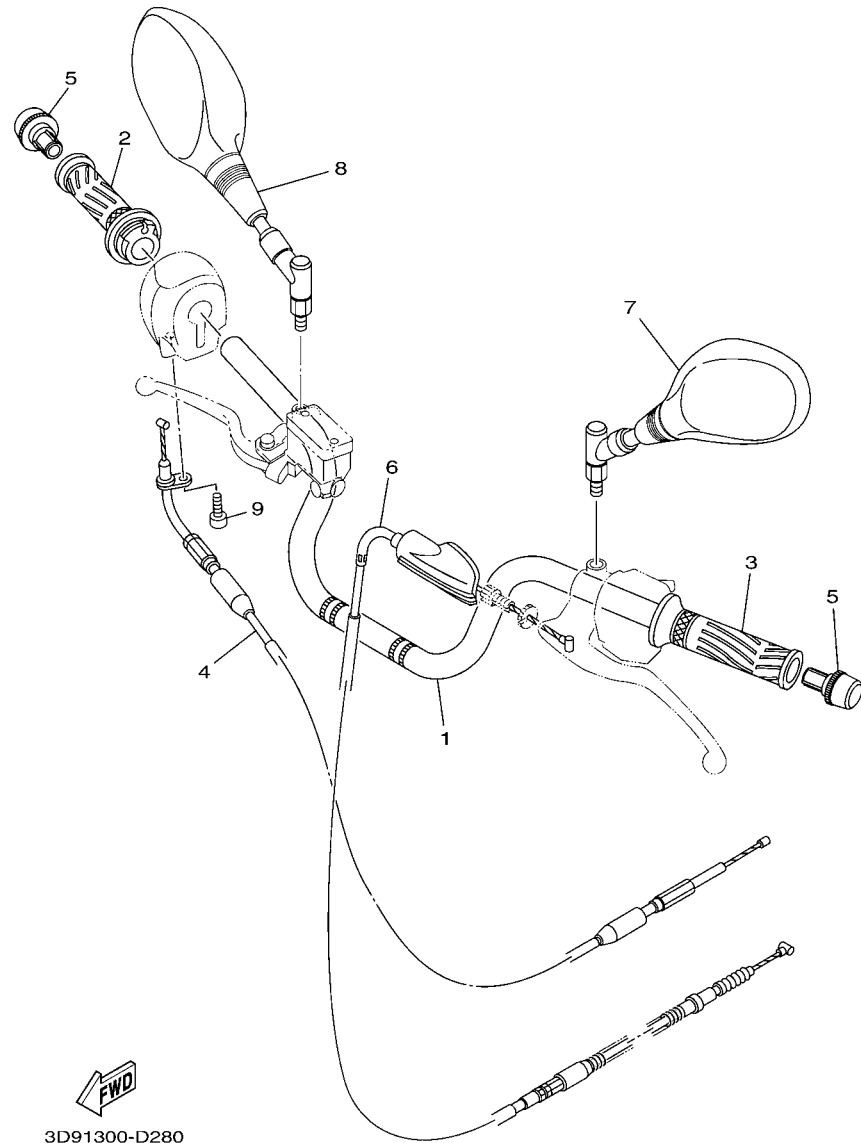
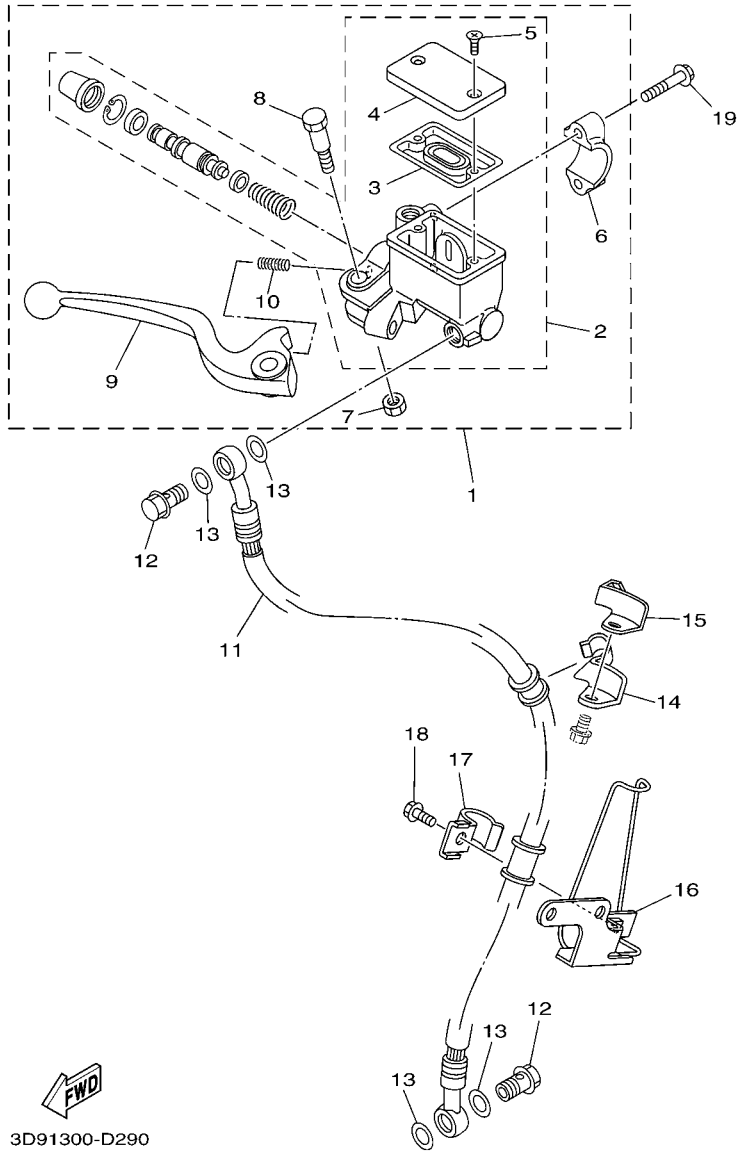


FIG. 28 STEERING HANDLE & CABLE

REF. NO.	PART NO.	DESCRIPTION	3D91				REMARKS
1	5VL-F6111-00	HANDLEBAR	1				
2	5VL-F6240-10	GRIP ASSY	1				
3	5VL-F6241-10	GRIP	1				
4	3D9-26311-00	CABLE, THROTTLE 1	1				
5	5VL-F628J-10	CAP, GRIP	2				
6	3D9-26335-00	CABLE, CLUTCH	1				
7	5VK-F6280-00	REAR VIEW MIRROR ASSY (LEFT)	1				
8	5VK-F6290-00	REAR VIEW MIRROR ASSY (RIGHT)	1				
9	9850N-05014	SCREW, PAN HEAD	1				



3D91300-D290

FIG. 29 FRONT MASTER CYLINDER

REF. NO.	PART NO.	DESCRIPTION	3D91				REMARKS
1	3D9-F583T-00	MASTER CYLINDER ASSY	1				
2	5VL-F5870-00	.MASTER CYLINDER SUB ASSY	1				
3	5VL-F5854-00	..DIAPHRAGM, RESERVOIR	1				
4	5VL-F5852-00	..CAP, RESERVOIR	1				
5	98706-04012	..SCREW, FLAT HEAD	2				
6	4RT-F5867-00	.BRACKET, MASTER CYLINDER	1				
7	9560N-06100	.NUT	1				
8	90109-06858	.BOLT	1				
9	3D9-H3922-00	.LEVER 2	1				
10	90501-10848	.SPRING, COMPRESSION	1				
11	3D9-F5872-00	HOSE, BRAKE 1	1				
12	90401-10811	BOLT, UNION	2				
13	90201-108J9	WASHER, PLATE	4				
14	5VL-F5887-00	HOLDER, BRAKE HOSE	1				
15	5VL-F5886-00	HOLDER, BRAKE HOSE	1				
16	5VL-F5875-00	HOLDER, BRAKE HOSE 1	1				
17	5VL-F5876-00	HOLDER, BRAKE HOSE 2	1				
18	9502L-06016	BOLT, FLANGE	1				
19	95027-06025	BOLT, FLANGE	2				



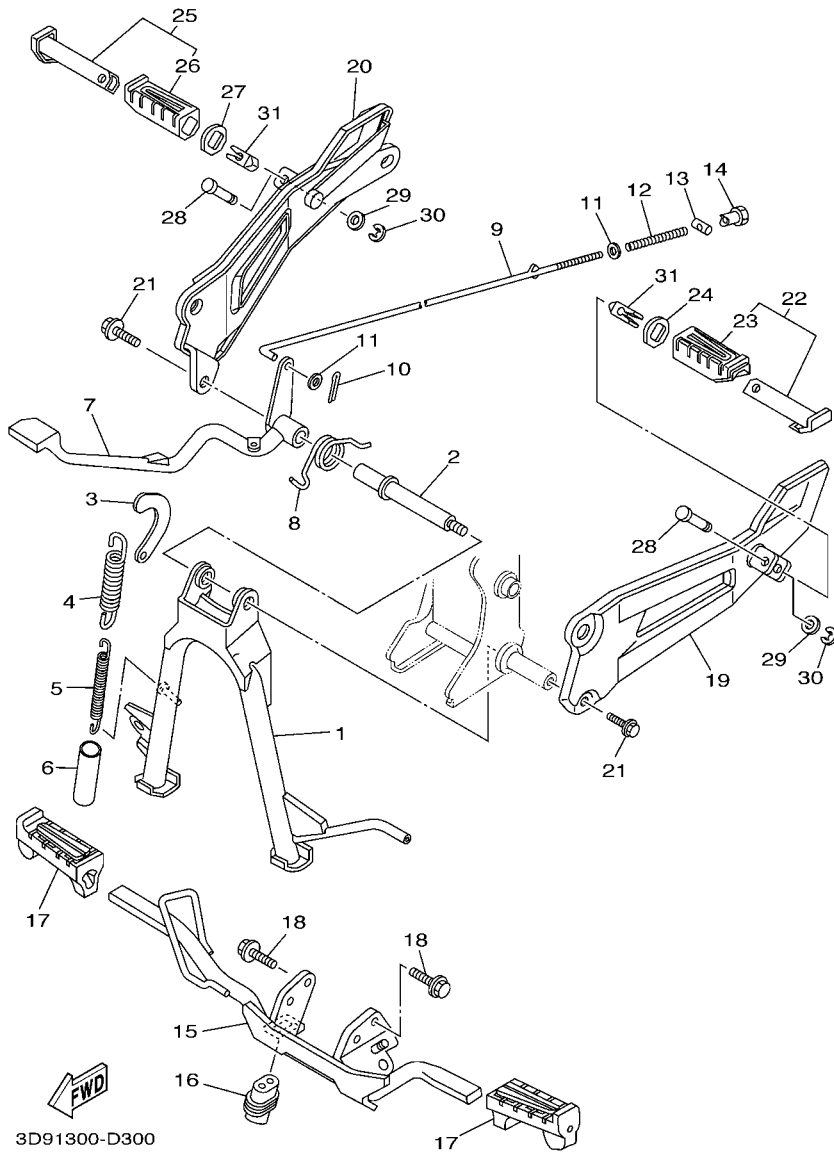


FIG. 30 STAND & FOOTREST

REF. NO.	PART NO.	DESCRIPTION	3D91				REMARKS
1	5VL-F7111-00	STAND, MAIN	1				
2	5VL-F7112-10	SHAFT, MAIN STAND	1				
3	3D9-F7115-00	LINK, MAIN STAND	1				
4	90506-32806	SPRING, TENSION	1				
5	90506-20808	SPRING, TENSION	1				
6	90445-12800	HOSE	1				
7	5VL-F7211-00	PEDAL, BRAKE	1				
8	90508-40801	SPRING, TORSION	1				
9	5VL-F7231-00	ROD, BRAKE	1				
10	91401-20012	PIN, COTTER	1				
11	9290N-06200	WASHER	2				
12	90501-10806	SPRING, COMPRESSION	1				
13	90249-12808	PIN	1				
14	90179-06843	NUT	1				
15	5VL-F7411-00	FOOTREST 1	1				
16	5VL-H2109-00	JOINT, HOSE	1				
17	5VL-F7413-00	COVER, FOOTREST	2				
18	9581N-08020	BOLT, FLANGE	2				
19	5VL-F7452-00	BRACKET, FOOTREST 1	1				
20	5VL-F7462-00	BRACKET, FOOTREST 2	1				
21	9581N-08020	BOLT, FLANGE	2				
22	5VL-F7430-00	REAR FOOTREST ASSY 1	1				
23	5VL-F7433-00	.COVER, REAR FOOTREST	1				
24	5VL-F7445-00	PLATE 1	1				
25	5VL-F7440-00	REAR FOOTREST ASSY 2	1				
26	5VL-F7444-00	.COVER, REAR FOOTREST	1				
27	5VL-F7445-00	PLATE 1	1				

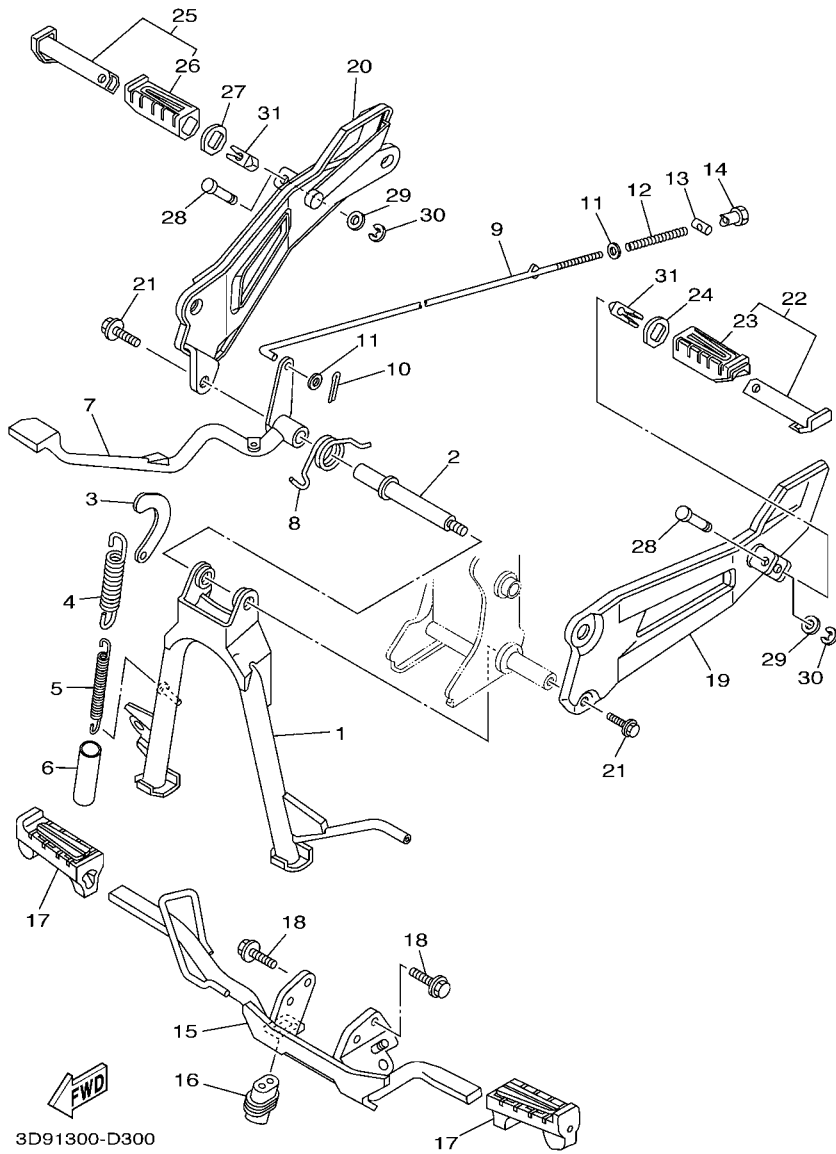
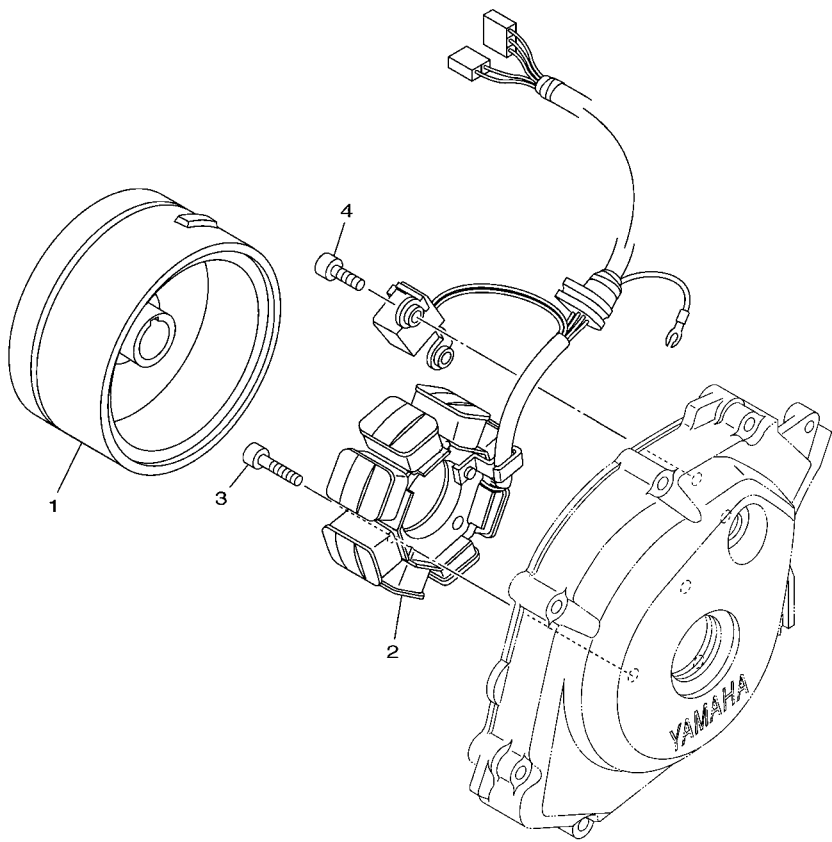


FIG. 30 STAND & FOOTREST

REF. NO.	PART NO.	DESCRIPTION	3D91				REMARKS
28	90249-06220	PIN	2				
29	9290N-06200	WASHER	2				
30	99001-05600	CIRCLIP	2				
31	5VL-F7414-00	DAMPER, FOOTREST	2				
-----							
-----							
-----							
-----							
-----							
-----							
-----							
-----							
-----							

FIG. 31 GENERATOR

REF. NO.	PART NO.	DESCRIPTION	3D91				REMARKS
1	3D9-H1450-00	ROTOR ASSY	1				
2	3D9-H1410-00	STATOR ASSY	1				
3	9131N-06030	BOLT	3				
4	9131N-06014	BOLT	2				
-----							
-----							
-----							
-----							
-----							
-----							
-----							
-----							
-----							
-----							



3D91300-D310



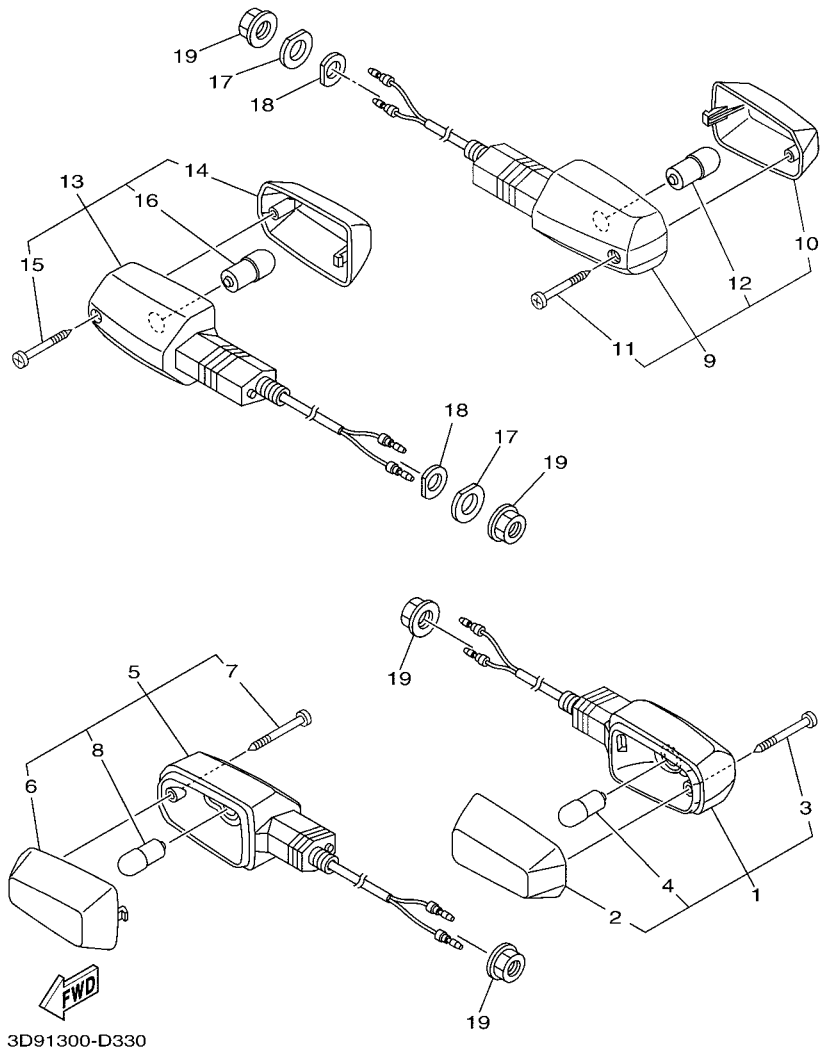


FIG. 33 FLASHER LIGHT

REF. NO.	PART NO.	DESCRIPTION	3D91				REMARKS
1	3D9-H3310-00	FRONT FLASHER LIGHT ASSY 1	1				
2	3D9-H3312-00	.LENS, FLASHER	1				
3	3D9-H3333-00	.SCREW, LENS FITTING	1				
4	3D9-H3311-00	.BULB, FLASHER (12V-10W)	1				
5	3D9-H3320-00	FRONT FLASHER LIGHT ASSY 2	1				
6	3D9-H3312-00	.LENS, FLASHER	1				
7	3D9-H3333-00	.SCREW, LENS FITTING	1				
8	3D9-H3311-00	.BULB, FLASHER (12V-10W)	1				
9	3D9-H3330-00	REAR FLASHER LIGHT ASSY 1	1				
10	3D9-H3312-00	.LENS, FLASHER	1				
11	3D9-H3333-00	.SCREW, LENS FITTING	1				
12	3D9-H3311-00	.BULB, FLASHER (12V-10W)	1				
13	3D9-H3340-00	REAR FLASHER LIGHT ASSY 2	1				
14	3D9-H3312-00	.LENS, FLASHER	1				
15	3D9-H3333-00	.SCREW, LENS FITTING	1				
16	3D9-H3311-00	.BULB, FLASHER (12V-10W)	1				
17	3D9-H3359-00	WASHER, SPECIAL	2				
18	3D9-H338W-00	COLLAR	2				
19	9570N-12500	NUT, FLANGE	4				

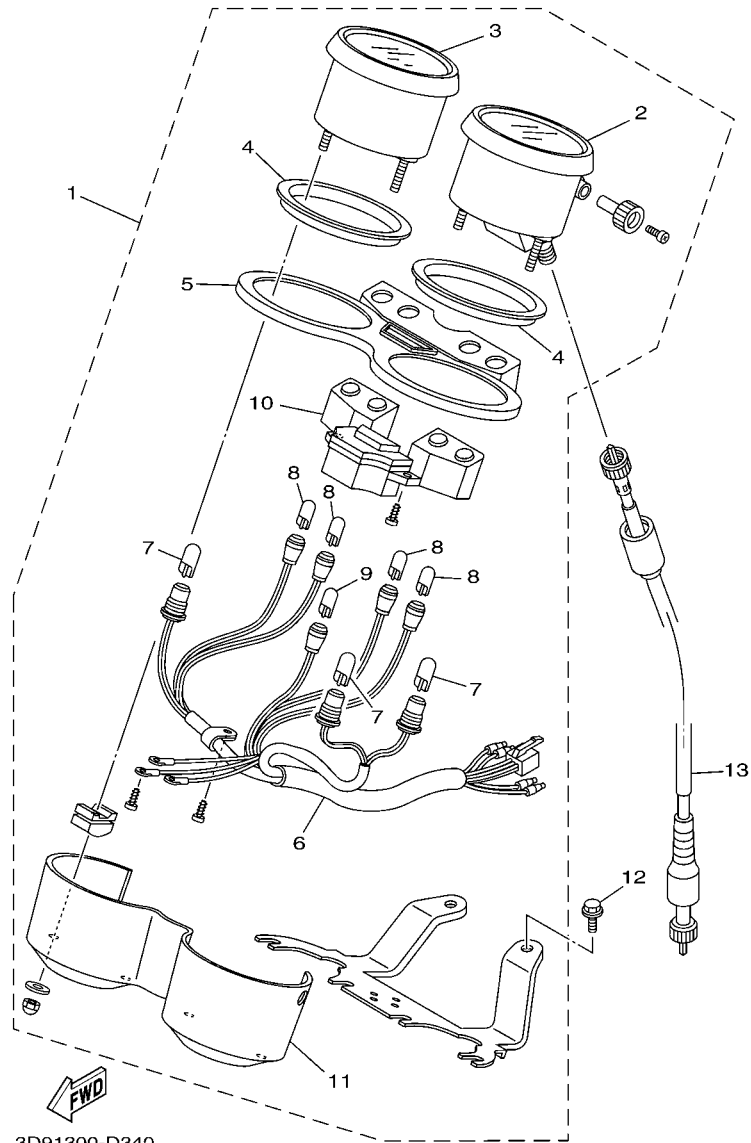
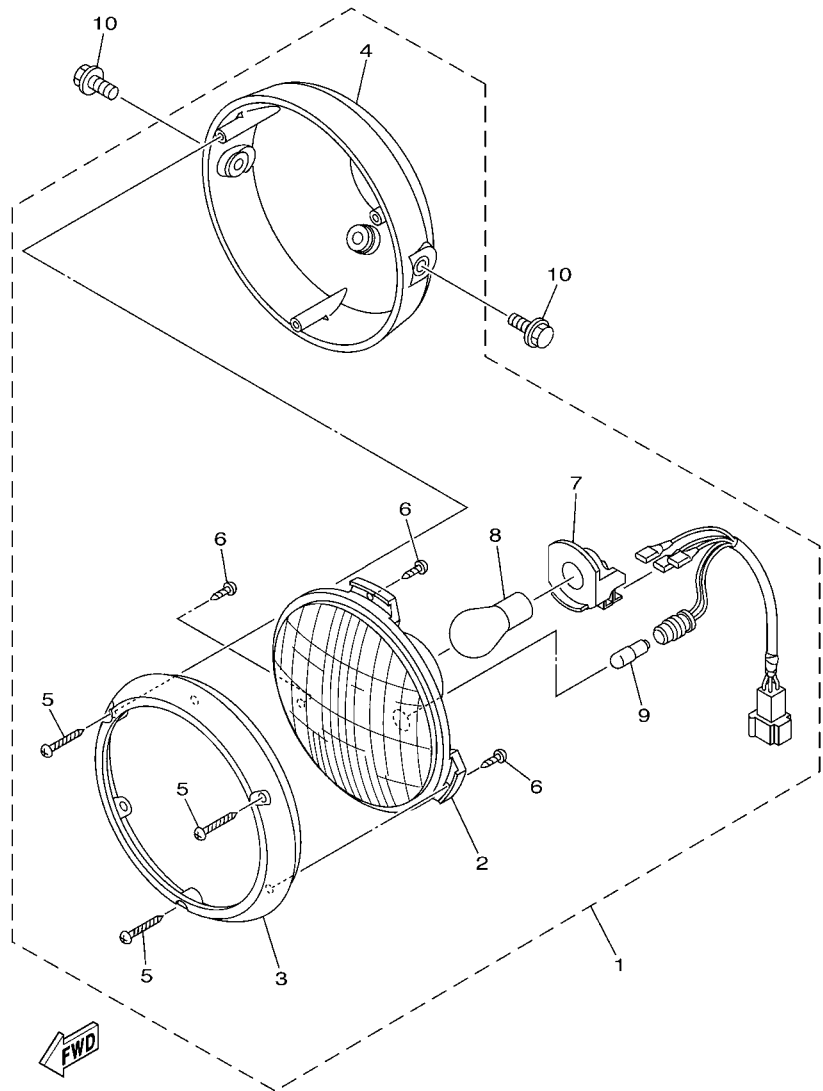


FIG. 34 METER

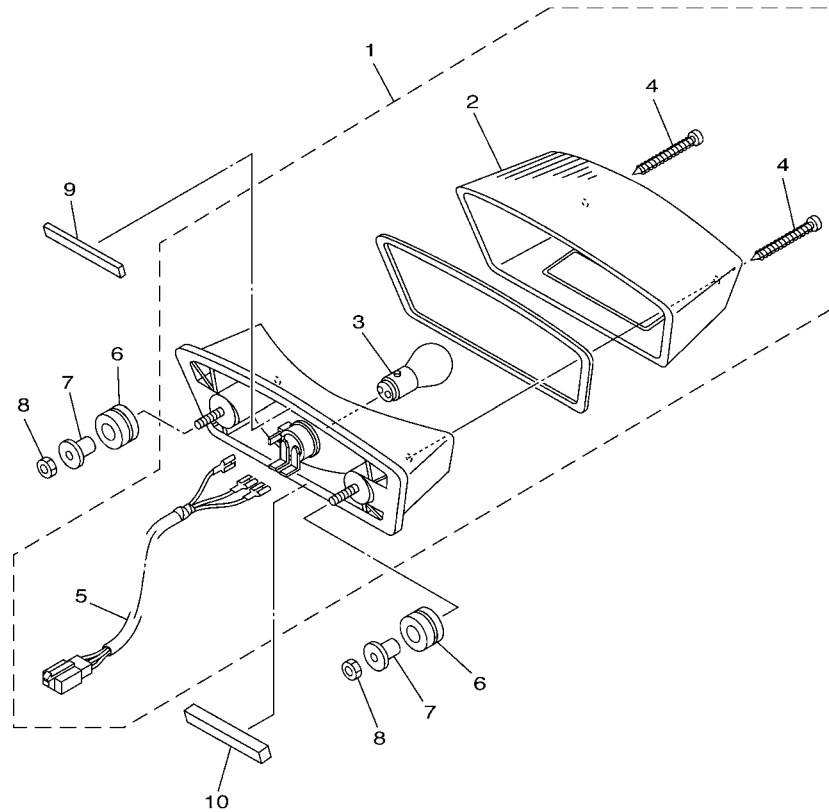
REF. NO.	PART NO.	DESCRIPTION	3D91				REMARKS
1	3D9-H3500-00	METER ASSY (KM/H)	1				UR FOR EXCEPT GBR
	3D9-H3500-10	METER ASSY (MPH)	1				UR FOR GBR
2	3D9-H3570-00	.SPEEDOMETER ASSY (KM/H)	1				UR FOR EXCEPT GBR
	3D9-H3570-10	.SPEEDOMETER ASSY (MPH)	1				UR FOR GBR
3	3D9-H3540-00	.TACHOMETER ASSY	1				
4	3D9-H3541-00	.DAMPER	2				
5	3D9-H3559-00	.COVER, METER	1				
6	3D9-H3509-00	.SOCKET CORD ASSY	1				
7	3D9-H3517-00	.BULB (12V-1.7W T10)	3				
8	3D9-H3516-00	.BULB (14V-3W T6.5)	4				
9	3D9-H3518-00	.BULB, METER (12V-1.7W T6.5)	1				
10	3D9-H5750-00	.FUEL METER ASSY	1				
11	3D9-H3579-00	.COVER, METER 2	1				
12	9502L-06016	BOLT, FLANGE	2				
13	3D9-H3550-00	SPEEDOMETER CABLE ASSY	1				



**FIG. 35 HEADLIGHT**

REF. NO.	PART NO.	DESCRIPTION	3D91				REMARKS
1	3D9-H4300-00	HEADLIGHT ASSY	1				
2	3D9-H4120-00	.LENS ASSY	1				
3	3D9-H4315-00	.RIM, HEADLIGHT	1				
4	3D9-H410B-00	.BODY ASSY, HEADLIGHT	1				
5	3D9-H4325-00	.SCREW, RIM FITTING	3				
6	3D9-H433E-00	.SCREW, ADJUSTING	3				
7	3D9-H4112-00	.SOCKET	1				
8	3D9-H4314-00	.BULB, HEADLIGHT (12V-35/35W)	1				
9	3D9-H4347-00	.BULB (12V-5W)	1				
10	90105-10125	BOLT, FLANGE	2				

FIG. 36 TAILLIGHT



3D91300-D360

REF. NO.	PART NO.	DESCRIPTION	3D91				REMARKS
1	3D9-H4710-00	TAILLIGHT UNIT ASSY	1				
2	3D9-H4721-00	.LENS, TAILLIGHT	1				
3	3D9-H4714-00	.BULB (12V-21/5W)	1				
4	3D9-H4724-00	.SCREW, LENS FITTING	2				
5	3D9-H4717-00	.CORD, TAILLIGHT	1				
6	90480-14812	GROMMET	2				
7	90387-06837	COLLAR	2				
8	9530N-06600	NUT	2				
9	5VL-H4753-00	DAMPER	1				
10	5VL-H4736-00	DAMPER, TAIL 1	1				



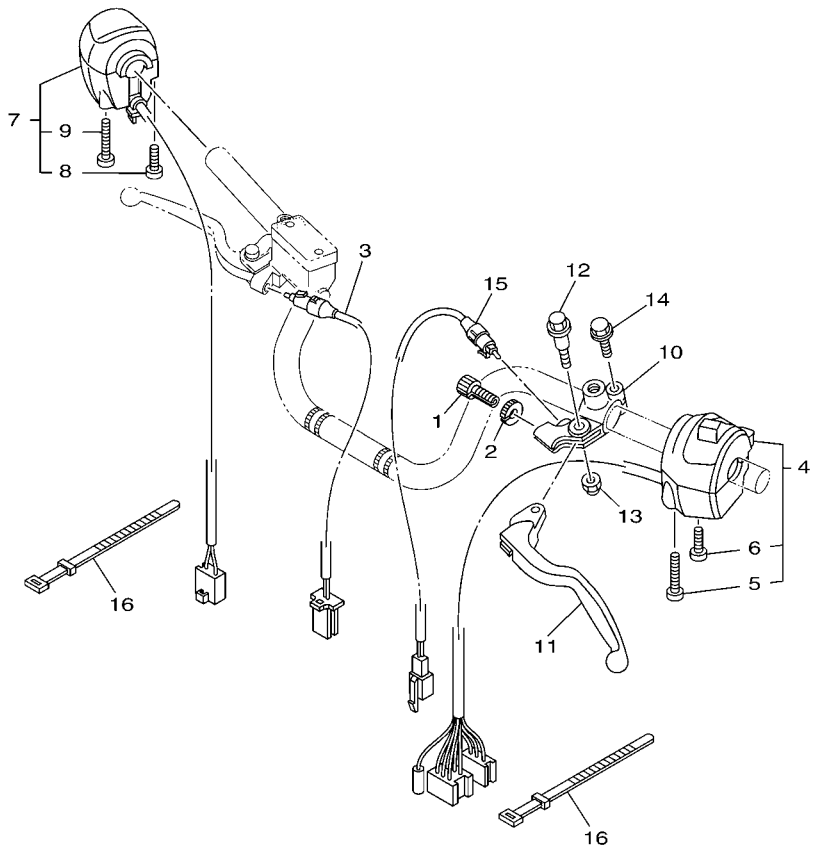
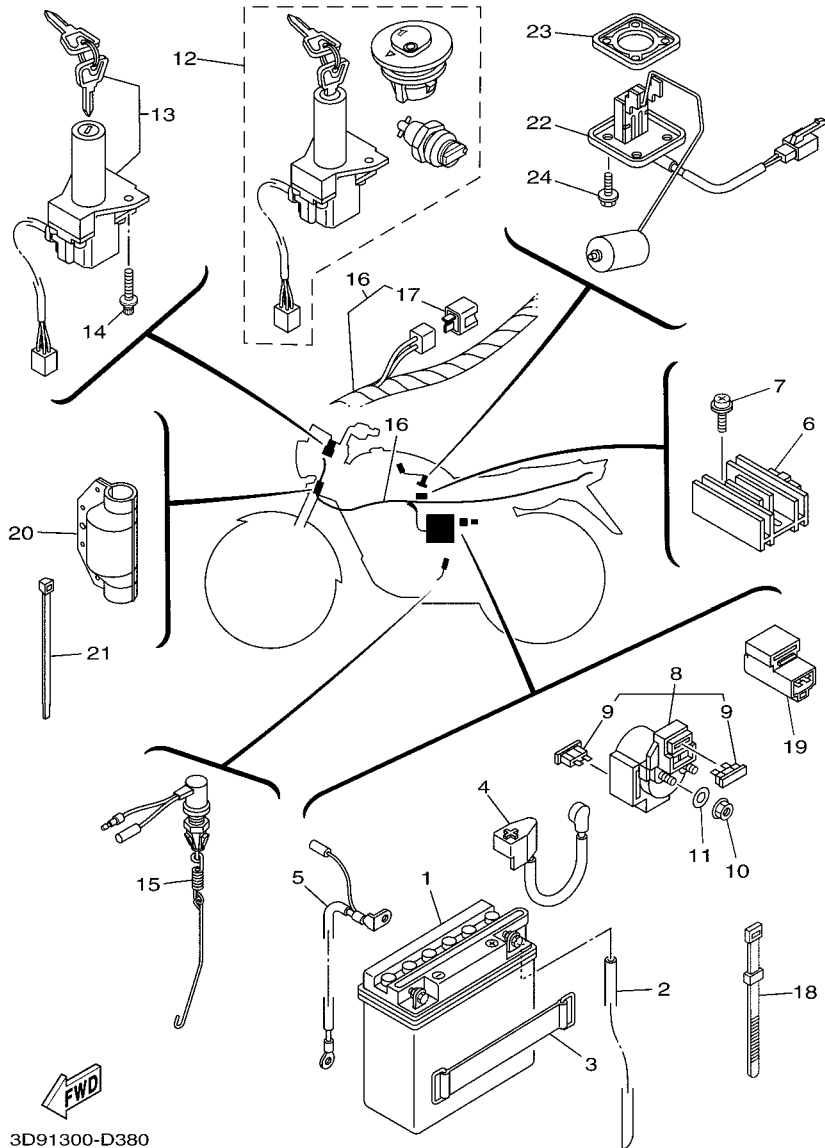


FIG. 37 HANDLE SWITCH & LEVER

REF. NO.	PART NO.	DESCRIPTION	3D91				REMARKS
1	90123-08813	BOLT	1				
2	90179-08862	NUT	1				
3	3D9-83980-00	FRONT STOP SWITCH ASSY	1				
4	3D9-H3973-00	SWITCH, HANDLE 3	1				
5	98507-05045	.SCREW, PAN HEAD	1				
6	98507-05025	.SCREW, PAN HEAD	1				
7	3D9-H3976-00	SWITCH, HANDLE 1	1				
8	9850M-05030	.SCREW, PAN HEAD	1				
9	9850M-05050	.SCREW, PAN HEAD	1				
10	4FP-H2911-00	HOLDER, LEVER 1	1				
11	3D9-H3912-00	LEVER 1	1				
12	90109-06846	BOLT	1				
13	9560N-06100	NUT	1				
14	97590-06522	BOLT, WITH WASHER	1				
15	3D9-H2917-00	SWITCH	1				
16	4TU-H3936-00	BAND, SWITCH CORD	2				

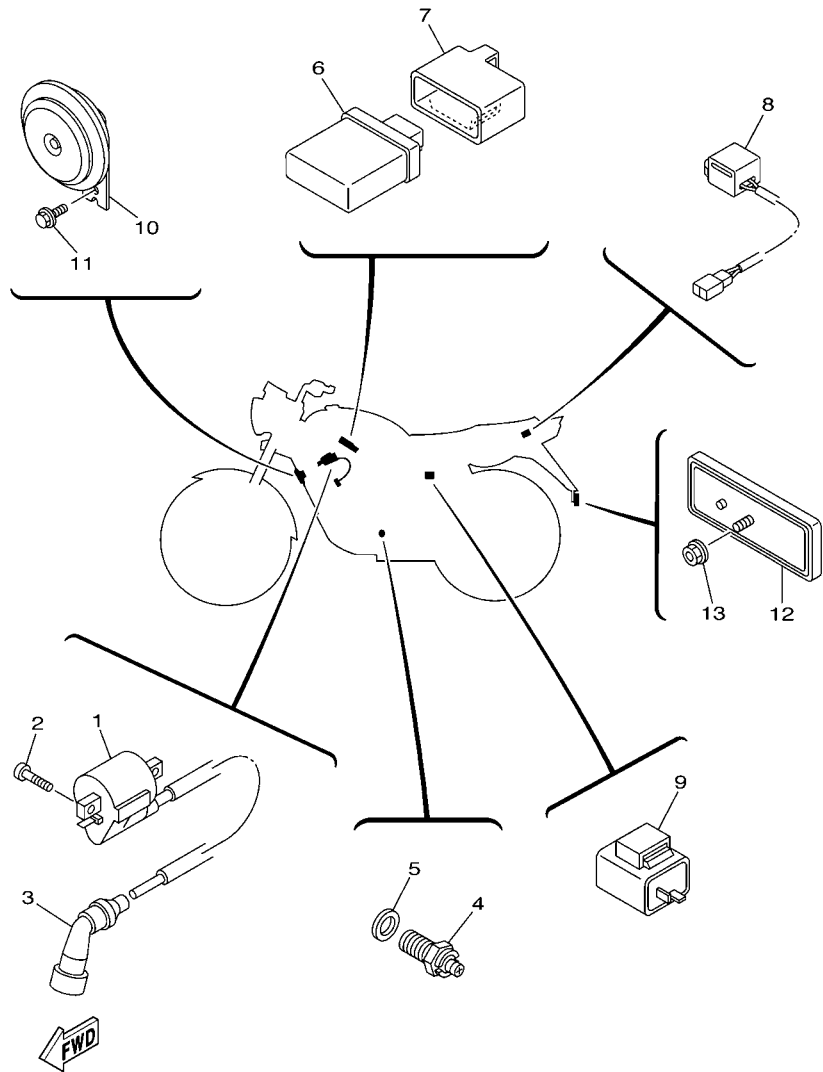
  
3D91300-D370



3D91300-D380

FIG. 38 ELECTRICAL 1

REF. NO.	PART NO.	DESCRIPTION	3D91	REMARKS
1	3D9-H2110-00	BATTERY ASSY (GS CB5L-B)	1	
2	90445-08830	HOSE	1	
3	5VL-H2131-00	BAND, BATTERY	1	
4	5VL-H2115-00	WIRE, PLUS LEAD	1	
5	3D9-H2116-00	WIRE, MINUS LEAD	1	
6	5VL-H1960-00	RECTIFIER & REGULATOR ASSY	1	
7	9760N-06220	SCREW, PAN HEAD WITH WASHER	2	
8	5VL-H1940-00	STARTER RELAY ASSY	1	
9	4FP-H2151-00	.FUSE (15A)	2	
10	9530N-06600	NUT	2	
11	9290N-06600	WASHER	2	
12	3D9-Y8250-00	SWITCH ASSY	1	
13	3D9-H2501-00	MAIN SWITCH STEERING LOCK	1	
14	90109-060G4	BOLT	2	
15	3D9-82530-00	STOP SWITCH ASSY	1	
16	3D9-H2590-10	WIRE HARNESS ASSY	1	
17	5VL-H1980-00	.DIODE ASSY	1	
18	5VL-H3936-00	BAND, SWITCH CORD	1	
19	29U-81950-93	RELAY ASSY	1	
20	3D9-H2599-00	COVER, CONNECTER	1	
21	90464-35803	CLAMP	3	
22	3D9-H5752-00	SENDER UNIT ASSY, FUEL METER	1	
23	4FP-H5753-00	GASKET, SENDER UNIT	1	
24	90105-05832	BOLT, FLANGE	4	



3D91300-D390

FIG. 39 ELECTRICAL 2

REF. NO.	PART NO.	DESCRIPTION	3D91				REMARKS
1	3D9-H2310-00	IGNITION COIL ASSY	1				
2	9850N-06016	SCREW, PAN HEAD	2				
3	4FP-H2370-00	PLUG CAP ASSY	1				
4	5VL-H2540-00	NEUTRAL SWITCH ASSY	1				
5	90430-10819	GASKET	1				
6	3D9-H5540-00	C.D.I. UNIT ASSY	1				
7	3D9-H5546-00	BAND	1				
8	5FU-82560-30	THERMO SWITCH ASSY	1				
9	5VL-H3350-00	FLASHER RELAY ASSY	1				
10	5JC-83371-00	HORN	1				
11	9582N-06012	BOLT, FLANGE	1				
12	3Y6-85130-02	REAR REFLECTOR ASSY	1				
13	9570N-05500	NUT, FLANGE	1				

NUMERICAL INDEX

PART NO.	GRID NO.	PART NO.	GRID NO.	PART NO.	GRID NO.	PART NO.	GRID NO.	PART NO.	GRID NO.	PART NO.	GRID NO.
2UJ-11133-10	B - 2	55K-24565-00	C - 13	5VL-E3586-30	B - 7	5VL-E6150-00	B - 15	5VL-F1711-00-0X	C - 8	4FP-F3411-10	C - 12
22F-11134-10	B - 2	3D9-26311-00	D - 6	5VL-E3595-00	B - 9	5VL-E6154-00	B - 15	5VL-F1711-00-3X	C - 8	1KL-F3412-00	C - 10
5KA-12113-00	B - 4	3D9-26335-00	D - 6	3D9-E4101-00	B - 8	5VL-E6164-10	B - 15	5VL-F1711-00-4X	C - 8	4FP-F3412-00	C - 10
5VL-12210-10	B - 5	29U-81950-93	E - 3	3D9-E4410-00	B - 7	5VL-E6321-00	B - 15	5VL-F1711-00-5X	C - 8	4GU-F3416-00	C - 10
5VL-14103-00	B - 8	5FU-82103-00	B - 9	5VL-E4411-10	B - 7	3D9-E6324-00	B - 15	3D9-F1721-00-0X	C - 8	5VL-F3418-00	C - 10
5VL-14105-00	B - 8	3D9-82530-00	E - 3	5VL-E4412-00	B - 7	5VL-E6333-00	B - 15	3D9-F1721-00-3X	C - 8	5VL-F341E-00	C - 10
5VL-14106-00	B - 8	5FU-82560-30	E - 4	3D9-E4417-00	B - 7	5VL-E6337-00	B - 15	3D9-F1721-00-4X	C - 8	5AP-F3427-00	C - 11
5PC-14107-18	B - 8	5JC-83371-00	E - 4	5VL-E4424-00	B - 7	5VL-E6351-00	B - 15	3D9-F1721-00-5X	C - 8	5VL-F3435-00-33	C - 10
5VL-1410A-00	B - 8	5FU-83790-10	B - 9	3D9-E4437-00	B - 7	5VL-E6357-00	B - 15	3D9-F172W-00	C - 8	5VL-F3441-00	C - 10
5VL-1411F-25	B - 8	3D9-83980-00	E - 2	3D9-E443E-00	B - 7	5VL-E6371-00	B - 15	3D9-F173E-00	C - 8	4TU-F3479-00	C - 11
5VL-14126-00	B - 8	3Y6-85130-Q2	E - 4	5VL-E4450-10	B - 7	5VL-E6381-00	B - 15	5VL-F1746-00	C - 8	3D9-F4110-00-FE	C - 13
5VL-14131-00	B - 8	5VL-E1111-10	B - 2	3D9-E4452-00	B - 7	5VL-E7121-00	C - 2	5VL-F1778-00	C - 8	3D9-F4110-00-P0	C - 13
5VL-14141-27	B - 8	5VL-E111F-00	B - 5	5VL-E4453-10	B - 7	5VL-E7131-00	C - 2		C - 14	3D9-F4110-00-P1	C - 13
3H1-14142-15	B - 8	5VL-E1161-00	B - 2	3D9-E4462-00	B - 7	5VL-E7141-00	C - 2	5VL-F177G-00	C - 8	3D9-F4110-00-P2	C - 13
4LS-14145-00	B - 8	5VL-E1166-00	B - 11	5VL-E4613-00	B - 10	5VL-E7211-00	C - 2	5VL-F1780-00	C - 8	2B9-F411B-00	C - 14
24W-14147-00	B - 9	4FP-E1167-00	B - 11	5VL-E4628-00	B - 10	5VL-E7221-00	C - 2	5VL-F2110-00-33	C - 9	4FP-F4181-00	C - 13
3H1-14147-00	B - 9	5VL-E1181-00	B - 2	3D9-E7231-00	B - 10	5VL-E7231-00	C - 2	5VL-F2123-00	C - 9	5VL-F4182-00	C - 13
5VL-14147-00	B - 8	5VL-E1185-10	B - 2	5VL-E4728-20	B - 10	5VL-E7241-00	C - 2	5VL-F2127-00	C - 9	5VL-F4183-00	C - 13
5VL-14148-00	B - 8	5VL-E1186-00	B - 2	3D9-E4758-00	B - 10	5VL-E7411-00	C - 2	5VL-F2128-00	C - 9	5VL-F4216-00	C - 14
21V-14185-00	B - 8	5VL-E1310-00	B - 2	5VL-E4803-00	B - 10	4FP-E7456-00	C - 2	5VL-F2141-00	C - 9	5VL-F4311-00	C - 13
127-14186-00	B - 8	5VL-E1351-10	B - 2	5VL-E4815-00	B - 10	5VL-E7471-00	C - 2	5VL-F2151-00	C - 9	3D9-F4481-00	C - 15
12R-14191-00	B - 9	5VL-E1422-00	B - 3	5VL-E4872-00	B - 10	5VL-E8101-00	C - 5	5VL-F2210-00	C - 9	3D9-F4500-00	C - 13
5VL-14193-10	B - 8	5VL-E1454-10	B - 3	5VL-E4881-00	B - 10	5VL-E8110-00	C - 5	5VL-F2311-00	C - 9	5VL-F4524-01	C - 13
5VL-14196-00	B - 8	5VL-E1496-00	B - 3	5VL-E4882-00	B - 10	1KL-E8113-00	C - 5	3D9-F3102-00	C - 11	5VL-F4610-01	C - 13
5VL-14197-10	B - 8	5VL-E1533-00	B - 3	5VL-E4987-00	B - 10	5VL-E8140-00	C - 5	3D9-F3103-00	C - 11	5VL-F471K-00-FE	C - 15
620-1423A-70	B - 8	5VL-E1631-00	B - 3	5VL-E5111-11	B - 11	4FP-E8177-00	C - 5	3D9-F3106-00	C - 11	5VL-F471K-00-P1	C - 15
5VL-14280-00	B - 9	5VL-E1633-00	B - 3	5VL-E5121-01	B - 11	5VL-E8337-00	C - 5	3D9-F3107-00	C - 11	5VL-F471K-00-P2	C - 15
3XP-14285-00	B - 8	5VL-E1651-00	B - 3	5VL-E5191-00	B - 12	5VL-E8511-00	C - 4	5VL-F3110-01	C - 11	5VL-F471K-00-P3	C - 15
583-14561-00	B - 8	5VL-E1681-00	B - 3	5VL-E5362-00	B - 12	5VL-E8512-00	C - 4	4GU-F3111-00	C - 11	5VL-F472K-00-FE	C - 15
3XP-14565-00	B - 8	5VL-E2111-00	B - 4	5VL-E5411-00	B - 12	5VL-E8513-00	C - 4	5VL-F3118-00	C - 11	5VL-F472K-00-P1	C - 15
3D9-14905-00	B - 8	5VL-E2116-00	B - 4	5VL-E5418-00	B - 12	5VL-E8531-00	C - 4	5VL-F3141-00	C - 11	5VL-F472K-00-P2	C - 15
5VL-1490J-10	B - 8	5VL-E2117-01	B - 4	5VL-E5421-00	B - 12	5VL-E8535-00	C - 4	4GU-F3144-00	C - 11	5VL-F472K-00-P3	C - 15
5VL-14933-00	B - 9	5VL-E2118-00	B - 4	5VL-E5441-00	B - 11	3D9-F1110-00-33	C - 6	4GU-F3145-00	C - 11	5VL-F4730-10	C - 15
5VL-14940-00	B - 9	5VL-E2119-00	B - 4	5VL-E5451-10	B - 12	5VL-F1316-00	C - 6	5AP-F3147-00	C - 11	4TU-F4741-00	B - 10
5CY-14951-00	B - 9	5VL-E2121-00	B - 4	5VL-E5461-10	B - 12	5VL-F1317-00	C - 6	5AP-F3153-00	C - 11		C - 15
3D9-17151-00	C - 2	5VL-E2151-00	B - 4	5VL-E5512-00	B - 14	5VL-F1318-00	C - 6	5VL-F3165-00	C - 10	5VL-F4756-00-FE	C - 15
3D9-17251-00	C - 2	5VL-E2156-00	B - 4	5VL-E5517-00	B - 14	5VL-F137U-01	C - 13	5AP-F3166-00	C - 11	5VL-F4756-00-P1	C - 15
5AP-18185-00	C - 4	5VL-E2171-10	B - 5	5VL-E5521-00	B - 14	5VL-F137V-01	C - 14	5VL-F3168-00	C - 12	5VL-F4756-00-P2	C - 15
3D9-2118N-01	C - 6	5VL-E2176-10	B - 5	5VL-E5532-00	B - 14	5VL-F137W-00	C - 13	5VL-F3170-00	C - 11	5VL-F4756-00-P3	C - 15
5PA-21568-00	C - 14	5VL-E2213-10	B - 5	4FP-E5580-00	B - 14	5VL-F137X-00	C - 13	3D9-F3174-00	C - 10	3D9-F4773-00	C - 15
3D9-2414E-00	C - 14	5VL-E2231-10	B - 5	5VL-E5598-00	B - 5	5VL-F1513-00	C - 7	4FP-F317J-00	C - 10	3D9-F4796-00	C - 15
3D9-2414G-00	C - 14	5VL-E2241-10	B - 5	47V-E5618-00	B - 13	5VL-F1518-01	C - 7	5VL-F331X-00	C - 12	4GU-F5118-00	D - 2
3ME-2415E-01	C - 14	5VL-E3300-00	B - 6	5VL-E5620-00	B - 13	5VL-F1541-00	C - 7	5VL-F3346-00	C - 12	4GU-F511X-00	D - 2
4X8-24512-00	C - 13	5VL-E3324-00	B - 6	4FP-E5641-00	B - 13	3D9-F1611-00	C - 7	5VL-F334G-10	C - 10	4GU-F5168-10-33	D - 2
55K-24515-01	C - 13	5VL-E3325-00	B - 6	5VL-E5651-00	B - 13	5VL-F1621-00	C - 7	5LK-F3356-00	C - 11	5VL-F5181-10	D - 2
55K-24521-00	C - 13	5VL-E3329-00	B - 6	5VL-E5660-00	B - 13	3D9-F1641-00	C - 7	5VL-F3389-00	C - 10	3D9-F5188-00	D - 2
3D9-24523-00	C - 13	4FP-E3411-00	B - 6	4FP-E5666-00	B - 13	3D9-F1668-00	C - 9	4FP-F3395-10	C - 10	4GU-F5190-10	D - 2
3AJ-24534-00	C - 13	5VL-E3451-00	B - 6	5VL-E6111-00	B - 15	3D9-F1685-00	C - 7	4FP-F3411-00	C - 10	5VL-F5321-00-33	D - 4

NUMERICAL INDEX

PART NO.	GRID NO.	PART NO.	GRID NO.	PART NO.	GRID NO.	PART NO.	GRID NO.	PART NO.	GRID NO.	PART NO.	GRID NO.
4GU-F5338-10-33	D - 4	5VL-F7433-00	D - 8	3D9-H3540-00	D - 13	5VL-Y2151-11-P2	C - 7	90201-064H0	C - 8	90462-16801	B - 11
4GU-F533A-00	D - 4	5VL-F7440-00	D - 8	3D9-H3541-00	D - 13	5VL-Y2151-11-P3	C - 7		C - 15	90464-11802	B - 7
4GU-F5351-01	D - 4	5VL-F7444-00	D - 8	3D9-H3550-00	D - 13	3D9-Y8250-00	E - 3	90201-07641	B - 6	90464-12803	C - 7
5VL-F5355-00	D - 4	5VL-F7445-00	D - 8	3D9-H3559-00	D - 13	90101-06848	D - 4	90201-08326	B - 5	90464-35803	E - 3
1KL-F5364-00	D - 4	5VL-F7452-00	D - 8	3D9-H3570-00	D - 13	90101-08820	B - 5	90201-088C3	B - 2	90464-70801	C - 10
5VL-F5366-00	D - 4	5VL-F7462-00	D - 8	3D9-H3570-10	D - 13	90105-05832	E - 3	90201-088P2	C - 13	90467-08801	B - 10
5VL-F5371-00	D - 4	3D9-F8100-00	C - 6	3D9-H3579-00	D - 13	90105-08006	C - 6	90201-108C7	C - 9	90467-09854	C - 13
5VL-F5377-00	D - 5	5VL-F811G-00	C - 6	3D9-H3912-00	E - 2	90105-08007	C - 6	90201-108J9	D - 7	90467-12828	B - 11
5VL-F5381-00	D - 5	3D9-H1410-00	D - 10	3D9-H3922-00	D - 7	90105-08724	B - 2	90201-122H1	B - 3	90467-13802	B - 10
5VL-F5386-00	D - 5	3D9-H1450-00	D - 10	4TU-H3936-00	E - 2	90105-08802	C - 6		B - 15	90467-15012	B - 10
5VL-F5387-00	D - 4	3D9-H1800-00	D - 11	5VL-H3936-00	E - 3	90105-08803	C - 6	90201-152H7	B - 13	90467-16800	B - 10
5VL-F5388-00	D - 5	7CP-H1801-00	D - 11	3D9-H3973-00	E - 2	90105-088A6	C - 6	90201-15700	C - 2	90468-26813	B - 13
5LK-F5412-00	D - 4	4FP-H1828-01	D - 11	3D9-H3976-00	E - 2	90105-10125	D - 14	90201-20266	C - 2	90480-01868	C - 15
5VL-F5445-00	D - 4	4FP-H182L-00	D - 11	3D9-H410B-00	D - 14	90105-10852	D - 3	90201-20272	C - 2	90480-13837	C - 8
5VL-F5744-00	D - 3	3D9-H183G-00	D - 11	3D9-H4112-00	D - 14	90109-060G4	E - 3	90201-208D5	B - 13		C - 14
5VL-F580U-10	D - 3	5VL-H1940-00	E - 3	3D9-H4120-00	D - 14	90109-06846	E - 2	90201-228F6	C - 8	90480-14812	D - 15
4KL-F5811-00	D - 3	5VL-H1960-00	E - 3	3D9-H4300-00	D - 14	90201-258D7	B - 14	90201-258D7	B - 14	90480-24186	C - 8
5VL-F5817-00	D - 3	5VL-H1980-00	E - 3	3D9-H4314-00	D - 14	90109-08847	D - 4	90202-09800	C - 14	90501-10806	D - 8
5VL-F582U-00	D - 3	5VL-H2109-00	D - 8	3D9-H4315-00	D - 14	90109-08848	D - 5	90202-26142	C - 10	90501-10848	D - 7
3D9-F583T-00	D - 7	3D9-H2110-00	E - 3	3D9-H4325-00	D - 14	90109-08864	D - 4	90208-07052	B - 6	90501-16001	B - 3
5VL-F5852-00	D - 7	5VL-H2115-00	E - 3	3D9-H433E-00	D - 14	90208-26800	D - 3	90208-26800	B - 3	90506-15848	D - 4
5VL-F5854-00	D - 7	3D9-H2116-00	E - 3	3D9-H4347-00	D - 14	90111-08805	B - 7	90209-16802	D - 2	90506-20808	D - 8
4RT-F5867-00	D - 7	5VL-H2131-00	E - 3	3D9-H4710-00	D - 15	90119-06809	C - 7	90215-12211	B - 15	90506-32806	D - 8
5VL-F5870-00	D - 7	4FP-H2151-00	E - 3	3D9-H4714-00	D - 15		C - 8	90249-06220	D - 9	90508-16800	B - 15
3D9-F5872-00	D - 7	3D9-H2310-00	E - 4	3D9-H4717-00	D - 15		C - 15	90249-12808	D - 8	90508-26836	B - 13
5VL-F5875-00	D - 7	4FP-H2370-00	E - 4	3D9-H4721-00	D - 15	90123-08813	E - 2	90267-40802	C - 7	90508-32801	C - 5
5VL-F5876-00	D - 7	3D9-H2501-00	E - 3	3D9-H4724-00	D - 15	90149-06830	C - 4		C - 8	90508-40801	D - 8
5VL-F5886-00	D - 7	5VL-H2540-00	E - 4	5VL-H4736-00	D - 15	90153-06803	B - 2	90267-48854	C - 7	90560-15136	D - 4
5VL-F5887-00	D - 7	3D9-H2590-10	E - 3	5VL-H4753-00	D - 15	90153-08804	D - 5	90280-03017	B - 3	90560-15293	D - 2
5VL-F5917-00	D - 3	3D9-H2599-00	E - 3	3D9-H5540-00	E - 4	90155-06800	B - 6	90282-05001	B - 15	91314-06020	B - 10
5VL-F5921-00	D - 3	4FP-H2911-00	E - 2	3D9-H5546-00	E - 4	90157-03800	C - 13	90338-06801	C - 7	9131M-06016	B - 10
5VL-F5922-00	D - 3	3D9-H2917-00	E - 2	3D9-H5750-00	D - 13	90159-06820	C - 13	90340-12097	B - 6	9131N-06012	B - 5
5VL-F5977-00	D - 3	3D9-H3310-00	D - 12	3D9-H5752-00	E - 3	90159-06830	C - 9	90340-14810	B - 12	9131N-06014	D - 10
5VL-F6111-00	D - 6	3D9-H3311-00	D - 12	4FP-H5753-00	E - 3	90170-12060	B - 15	90340-32812	B - 12	9131N-06030	D - 10
5VL-F6240-10	D - 6	3D9-H3312-00	D - 12	5VL-W0047-00	D - 3	90170-22850	C - 8	90386-18099	C - 9	9131N-06090	B - 2
5VL-F6241-10	D - 6	3D9-H3320-00	D - 12	5VL-W0048-00	D - 3	90176-10810	C - 9	90387-061N6	C - 14	9131N-08016	B - 14
5VK-F6280-00	D - 6	3D9-H3330-00	D - 12	5VL-W0057-00	D - 3	90176-22800	C - 10	90387-06837	D - 15	91401-20012	D - 5
5VL-F628J-10	D - 6	3D9-H3333-00	D - 12	3D9-W1140-00	B - 3	90179-06843	D - 8	90387-158K1	D - 2		D - 8
5VK-F6290-00	D - 6	3D9-H3340-00	D - 12	3D9-W1141-00	B - 3	90179-08639	D - 4	90387-16804	B - 5	9290N-06200	B - 15
5VL-F7111-00	D - 8	5VL-H3350-00	E - 4	3FA-W253A-00	D - 4	90179-08862	E - 2	90401-10811	D - 7		D - 8
5VL-F7112-10	D - 8	3D9-H3359-00	D - 12	5VL-Y1153-20	B - 3	90179-12813	B - 13	90430-05800	C - 13	9290N-06600	E - 3
3D9-F7115-00	D - 8	3D9-H338W-00	D - 12	5VL-Y1161-00	B - 3		B - 15	90430-06817	B - 2	9290N-08100	D - 5
5VL-F7211-00	D - 8	3D9-H3500-00	D - 13	5VL-Y1215-00	B - 4	90179-25615	C - 10		B - 5	93101-10800	B - 12
5VL-F7231-00	D - 8	3D9-H3500-10	D - 13	5VL-Y1635-00	B - 15	90201-04803	C - 7	90430-10819	E - 4	93101-12812	C - 5
5VL-F7411-00	D - 8	3D9-H3509-00	D - 13	5VL-Y1742-00	C - 2		C - 8	90430-12227	B - 6	93102-12802	B - 15
5VL-F7413-00	D - 8	3D9-H3516-00	D - 13	5VL-Y1854-01	C - 4	90201-05802	C - 10	90445-08830	E - 3	93102-20854	C - 2
5VL-F7414-00	D - 9	3D9-H3517-00	D - 13	5VL-Y2151-11-FE	C - 7	90201-05803	B - 10	90445-12800	D - 8	93102-20857	D - 2
5VL-F7430-00	D - 8	3D9-H3518-00	D - 13	5VL-Y2151-11-P1	C - 7	90201-05804	B - 10	90460-46206	B - 7	93104-22805	D - 4

NUMERICAL INDEX

PART NO.	GRID NO.	PART NO.	GRID NO.	PART NO.	GRID NO.	PART NO.	GRID NO.	PART NO.	GRID NO.	PART NO.	GRID NO.
93106-26801	D - 4	9502L-06025	D - 11	9850M-05050	E - 2						
93109-18809	C - 9	9502L-06030	B - 11	9850N-05014	D - 6						
93109-20806	B - 13	9502L-06035	B - 12	9850N-06016	E - 4						
93210-108B1	B - 5	9502L-06045	B - 11	9851L-06012	B - 14						
93210-14899	B - 12		B - 12		C - 2						
93210-19809	B - 12	9502L-06050	B - 12	9851N-05016	C - 10						
93210-30611	B - 7	9502L-06055	B - 11	9851N-06010	B - 12						
93210-328A4	B - 12	9502L-08035	C - 10	9851N-06016	C - 15						
93210-42807	D - 4	9502L-08040	C - 10	9851N-06020	C - 14						
93210-44889	B - 2	9502N-06010	C - 3	98706-04012	D - 7						
93210-55669	D - 11	9530N-06600	B - 15	9890L-06016	B - 12						
93210-57897	B - 2		D - 4	9890L-06020	C - 8						
93210-79801	B - 2		D - 15	9890N-05008	D - 11						
93306-002Y1	B - 5		E - 3	98980-06012	B - 10						
93306-003X6	B - 5	9531L-08600	D - 5	99001-05600	B - 6						
93306-004YL	D - 4	95604-12200	C - 9		D - 9						
93306-201Y8	C - 2	9560L-14200	D - 2	99001-10600	C - 5						
93306-20218	C - 2		D - 5	99009-15400	B - 13						
93306-202XN	B - 3	9560N-06100	D - 7		C - 2						
93306-202Y1	D - 4		E - 2	99009-20500	B - 15						
93306-202Y4	D - 2	9570L-08500	C - 6	99234-00080	C - 15						
	D - 4	9570L-10500	C - 6	99236-00080	C - 15						
93306-203YT	C - 2	9570N-05500	E - 4	99530-10114	B - 2						
93306-204YD	C - 2	9570N-12500	B - 3		B - 11						
93306-205XJ	B - 3		D - 12		B - 12						
93310-6290C	B - 3	9580N-06020	B - 5								
93410-20809	C - 2	9581L-10080	C - 6								
93440-10109	B - 2	9581N-08016	C - 15								
93450-16812	B - 3	9581N-08020	B - 10								
93503-16824	B - 15		D - 8								
93604-08800	B - 3	9582L-06016	C - 7								
93604-10837	C - 4		C - 10								
93608-30839	C - 5	9582N-06012	C - 10								
93822-14043	C - 2		E - 4								
94109-18805	D - 4	9700N-08016	C - 13								
94127-18823	D - 2	9702N-06020	C - 5								
94227-18808	D - 2	97590-06522	E - 2								
	D - 4	97607-03106	B - 8								
94568-A4090	B - 5	97607-04110	B - 9								
94581-33118	D - 5	9760N-06220	B - 7								
94681-33011	D - 5		B - 10								
94701-00372	B - 2		E - 3								
95027-06025	D - 7	9770N-50012	C - 15								
9502L-06016	B - 5	97880-03008	C - 13								
	D - 7	98507-04010	B - 8								
	D - 13	98507-05025	E - 2								
9502L-06020	B - 2	98507-05045	E - 2								
9502L-06025	B - 7	9850M-05030	E - 2								