

HONDA CBF250R 2009



NHB01K



R258

Colour Description	Code
BLACK	NH1
EXTREME RED	R.292

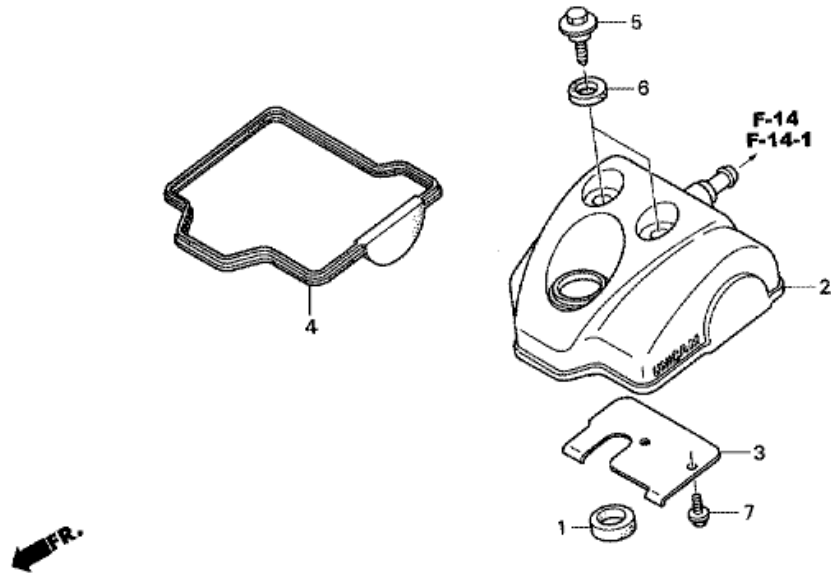
Models, parts catalogue codes and applicable serial numbers

Models, parts catalogue codes and applicable serial Nos. given in this parts catalogue can be identified as follows.
Parts with parts catalogue codes are exclusive for models destined for countries designated.
If no area codes are listed, parts are for common use.

Model	Area code	Type	Parts catalogue code	Applicable engine serial No.	Applicable frame serial No.	Applicable carburetor serial No.
CRF250R4	ED	European direct sales	ED	ME10E-2000001~2049999	JH2ME10A*4M000001~4M009999	FCR01A A
			ED/A	ME10E-2050001~2099999	JH2ME10A*4K010001~4K099999	
	U	Australia	U	ME10E-2000001~2049999	JH2ME10U*4M000001~4M049999	
			U/A	ME10E-2050001~2099999	JH2ME10U*4K050001~4K099999	
CRF250Rs	ED	European direct sales	ED	ME10E-2100001~2119999	JH2ME10A*5M100001~5M109999	FCR01B A
			ED/A	ME10E-2120001~2149999	JH2ME10A*5K110001~5K149999	
			ED/B	ME10E-2150001~2199999	JH2ME10A*5M150001~5M199999	
	U	Australia	U	ME10E-2100001~2119999	JH2ME10U*5M100001~5M109999	
			U/A	ME10E-2120001~2149999	JH2ME10U*5K110001~5K149999	
			U/B	ME10E-2150001~2199999	JH2ME10U*5M150001~5M199999	
CRF250Re	ED	European direct sales	ED	ME10E-2200001~2229999	JH2ME10A*6M200001~6M209999	FCR12A A
			ED/A	ME10E-2230001~2239999	JH2ME10A*6K210001~6K219999	
			ED/B	ME10E-2240001~2249999	JH2ME10A*6M230001~6M239999	
	U	Australia	U	ME10E-2200001~2229999	JH2ME10U*6M200001~6M209999	
			U/A	ME10E-2230001~2239999	JH2ME10U*6K210001~6K219999	
			U/B	ME10E-2240001~2249999	JH2ME10U*6M230001~6M239999	

CRF250R CRF250R9 2009 ED

E-1 CYLINDER HEAD COVER

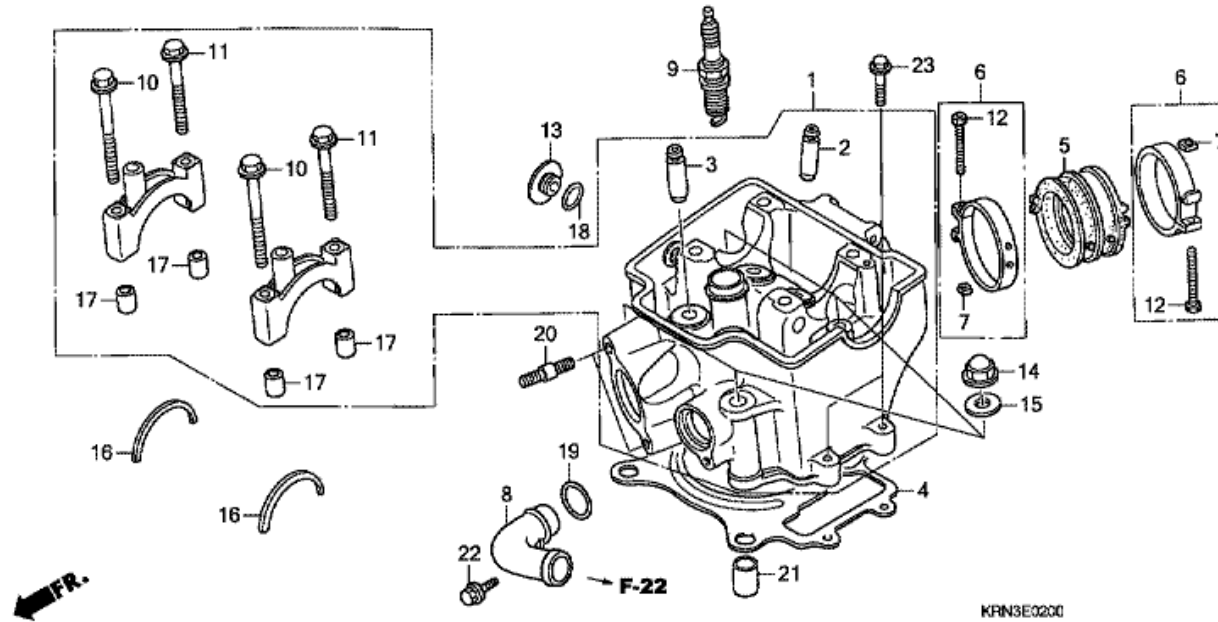


KRN4--E0100A

Refnr	Part Number	Description	Unit Qty	Order Qty	Repair Qty
1	12226-MEB-670	SEAL, RING	001	0	0
2	12310-KSC-A30	COVER COMP., CYLINDER HEAD	001	0	0
2	12310-KRN-A20	COVER COMP., CYLINDER HEAD	001	0	0
3	12316-KRN-670	PLATE, BREATHER	001	0	0
4	12391-KRN-670	GASKET, HEAD COVER	001	0	0
5	90017-MY9-790	BOLT, HEAD COVER	002	0	0
6	90543-MV9-670	RUBBER, MOUNTING	002	0	0
7	96300-06012-00	BOLT, FLANGE, 6X12	002	0	0

CRF250R CRF250R9 2009 ED

E-2 CYLINDER HEAD

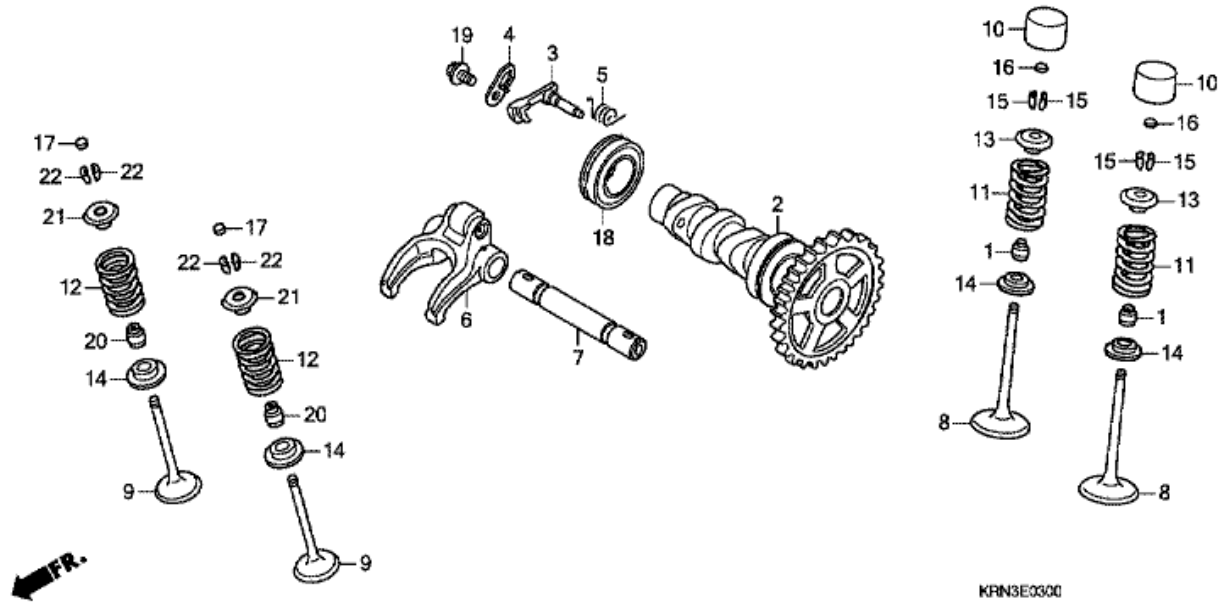


Refnr	Part Number	Description	Unit Qty	Order Qty	Repair Qty
1	12010-KRN-A30	HEAD ASSY., CYLINDER	001	0	0
2	12204-KRN-P00	GUIDE, IN. VALVE (O.S.)	002	0	0
3	12205-KRN-P10	GUIDE, EX. VALVE (O.S.)	002	0	0
4	12251-KRN-731	GASKET, CYLINDER HEAD	001	0	0
5	16211-KRN-850	INSULATOR, CARBURETOR	001	0	0
6	16218-MCJ-000	BAND B, INSULATOR	002	0	0
7	16222-MV4-300	NUT, SQUARE, 5MM	002	0	0
8	19523-KRN-730	JOINT, WATER	001	0	0
9	31911-KRN-731	PLUG, SPARK (R0409B-8) (NGK)	001	0	0
9	31912-KRN-731	PLUG, SPARK (R0409B-9) (NGK)	(1)	0	0
10	90001-KRN-670	BOLT, FLANGE, 7X60	002	0	0
11	90002-KRN-670	BOLT, FLANGE, 7X50	002	0	0

12	90005-MCJ-000	BOLT, RECESSED, 5X28	002	0	0
13	90084-MEN-670	CAP, 14MM	001	0	0
14	90232-MB6-680	NUT, CAP, 9MM	004	0	0
15	90401-KRN-670	WASHER, PLAIN, 9MM	004	0	0
16	90446-KRN-670	WASHER, CAMSHAFT THRUST	002	0	0
17	90701-MR7-000	DOWEL PIN, 9X14	004	0	0
18	91303-377-000	O-RING, 13.8X2.5	001	0	0
19	91312-KE7-003	O-RING, 19X3 (NOK)	001	0	0
20	92900-08022-0B	BOLT, STUD, 8X22	002	0	0
21	94301-12200	DOWEL PIN, 12X20	002	0	0
22	96001-06020-00	BOLT, FLANGE, 6X20	001	0	0
23	96001-06028-00	BOLT, FLANGE, 6X28	002	0	0

CRF250R CRF250R9 2009 ED

E-3 CAMSHAFT/VALVE



Refnr	Part Number	Description	Unit Qty	Order Qty	Repair Qty
1	12209-GB4-681	SEAL, VALVE STEM (NOK)	002	0	0
2	14100-KRN-A10	CAMSHAFT COMP.	001	0	0
3	14102-KRN-670	WEIGHT, DECOMPRESSION	001	0	0
4	14105-KRN-670	PLATE, WEIGHT SETTING	001	0	0
5	14106-KRN-A00	SPRING, DECOMPRESSION	001	0	0
6	14440-KRN-A10	ARM COMP., EX. ROCKER	001	0	0
7	14451-KRN-A10	SHAFT, EX. ROCKER ARM	001	0	0
8	14711-KRN-670	VALVE, IN.	002	0	0
9	14721-KRN-A10	VALVE, EX.	002	0	0
10	14731-KRN-A00	LIFTER, VALVE	002	0	0
11	14751-KRN-A10	SPRING, IN. VALVE	002	0	0
12	14761-KRN-A11	SPRING, EX. VALVE	002	0	0

13	14772-KRN-A10	RETAINER, VALVE SPRING	002	0	0
14	14775-KRN-670	SEAT, VALVE SPRING	004	0	0
15	14781-MAT-000	COTTER, VALVE	004	0	0
16	14901-KT7-013	SHIM, TAPPET (1.200)	002	0	0
16	14902-KT7-013	SHIM, TAPPET (1.225)	002	0	0
16	14903-KT7-013	SHIM, TAPPET (1.250)	002	0	0
16	14904-KT7-013	SHIM, TAPPET (1.275)	002	0	0
16	14905-KT7-013	SHIM, TAPPET (1.300)	002	0	0
16	14906-KT7-013	SHIM, TAPPET (1.325)	002	0	0
16	14907-KT7-013	SHIM, TAPPET (1.350)	002	0	0
16	14908-KT7-013	SHIM, TAPPET (1.375)	002	0	0
16	14909-KT7-013	SHIM, TAPPET (1.400)	002	0	0
16	14910-KT7-013	SHIM, TAPPET (1.425)	002	0	0
16	14911-KT7-013	SHIM, TAPPET (1.450)	002	0	0
16	14912-KT7-013	SHIM, TAPPET (1.475)	002	0	0
16	14913-KT7-013	SHIM, TAPPET (1.500)	002	0	0
16	14914-KT7-013	SHIM, TAPPET (1.525)	002	0	0
16	14915-KT7-013	SHIM, TAPPET (1.550)	002	0	0
16	14916-KT7-013	SHIM, TAPPET (1.575)	002	0	0
16	14917-KT7-013	SHIM, TAPPET (1.600)	002	0	0
16	14918-KT7-013	SHIM, TAPPET (1.625)	002	0	0
16	14919-KT7-013	SHIM, TAPPET (1.650)	002	0	0
16	14920-KT7-013	SHIM, TAPPET (1.675)	002	0	0
16	14921-KT7-013	SHIM, TAPPET (1.700)	002	0	0
16	14922-KT7-013	SHIM, TAPPET (1.725)	002	0	0
16	14923-KT7-013	SHIM, TAPPET (1.750)	002	0	0
16	14924-KT7-013	SHIM, TAPPET (1.775)	002	0	0
16	14925-KT7-013	SHIM, TAPPET (1.800)	002	0	0
16	14926-KT7-013	SHIM, TAPPET (1.825)	002	0	0
16	14927-KT7-013	SHIM, TAPPET (1.850)	002	0	0
16	14928-KT7-013	SHIM, TAPPET (1.875)	002	0	0
16	14929-KT7-013	SHIM, TAPPET (1.900)	002	0	0
16	14930-KT7-013	SHIM, TAPPET (1.925)	002	0	0
16	14931-KT7-013	SHIM, TAPPET (1.950)	002	0	0
16	14932-KT7-013	SHIM, TAPPET (1.975)	002	0	0
16	14933-KT7-013	SHIM, TAPPET (2.000)	002	0	0
16	14934-KT7-013	SHIM, TAPPET (2.025)	002	0	0

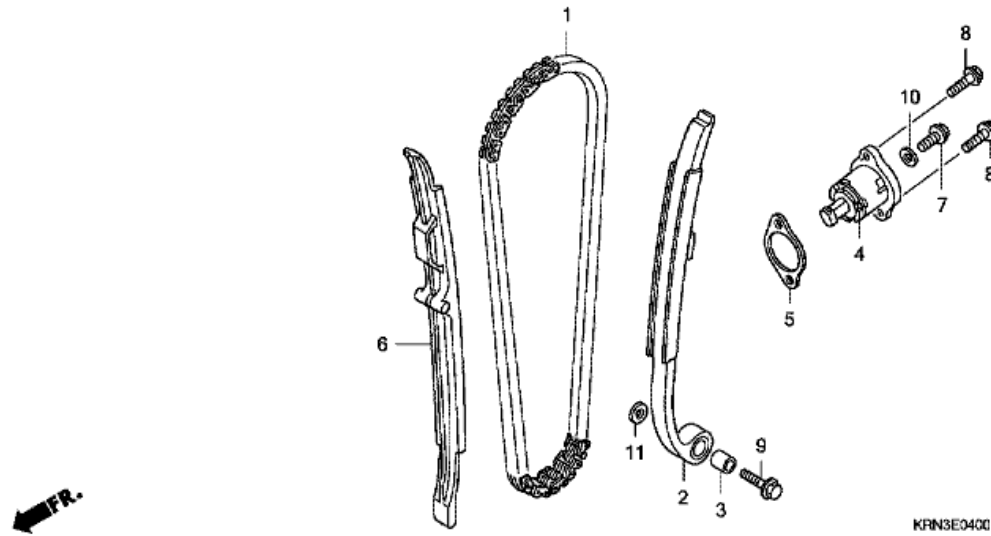
16	14935-KT7-013	SHIM, TAPPET (2.050)	002	0	0
16	14936-KT7-013	SHIM, TAPPET (2.075)	002	0	0
16	14937-KT7-013	SHIM, TAPPET (2.100)	002	0	0
16	14938-KT7-013	SHIM, TAPPET (2.125)	002	0	0
16	14939-KT7-013	SHIM, TAPPET (2.150)	002	0	0
16	14940-KT7-013	SHIM, TAPPET (2.175)	002	0	0
16	14941-KT7-013	SHIM, TAPPET (2.200)	002	0	0
16	14942-KT7-013	SHIM, TAPPET (2.225)	002	0	0
16	14943-KT7-013	SHIM, TAPPET (2.250)	002	0	0
16	14944-KT7-013	SHIM, TAPPET (2.275)	002	0	0
16	14945-KT7-013	SHIM, TAPPET (2.300)	002	0	0
16	14946-KT7-013	SHIM, TAPPET (2.325)	002	0	0
16	14947-KT7-013	SHIM, TAPPET (2.350)	002	0	0
16	14948-KT7-013	SHIM, TAPPET (2.375)	002	0	0
16	14949-KT7-013	SHIM, TAPPET (2.400)	002	0	0
16	14950-KT7-013	SHIM, TAPPET (2.425)	002	0	0
16	14951-KT7-013	SHIM, TAPPET (2.450)	002	0	0
17	14901-KT7-013	SHIM, TAPPET (1.200)	002	0	0
17	14902-KT7-013	SHIM, TAPPET (1.225)	002	0	0
17	14903-KT7-013	SHIM, TAPPET (1.250)	002	0	0
17	14904-KT7-013	SHIM, TAPPET (1.275)	002	0	0
17	14905-KT7-013	SHIM, TAPPET (1.300)	002	0	0
17	14906-KT7-013	SHIM, TAPPET (1.325)	002	0	0
17	14907-KT7-013	SHIM, TAPPET (1.350)	002	0	0
17	14908-KT7-013	SHIM, TAPPET (1.375)	002	0	0
17	14909-KT7-013	SHIM, TAPPET (1.400)	002	0	0
17	14910-KT7-013	SHIM, TAPPET (1.425)	002	0	0
17	14911-KT7-013	SHIM, TAPPET (1.450)	002	0	0
17	14912-KT7-013	SHIM, TAPPET (1.475)	002	0	0
17	14913-KT7-013	SHIM, TAPPET (1.500)	002	0	0
17	14914-KT7-013	SHIM, TAPPET (1.525)	002	0	0
17	14915-KT7-013	SHIM, TAPPET (1.550)	002	0	0
17	14916-KT7-013	SHIM, TAPPET (1.575)	002	0	0
17	14917-KT7-013	SHIM, TAPPET (1.600)	002	0	0
17	14918-KT7-013	SHIM, TAPPET (1.625)	002	0	0
17	14919-KT7-013	SHIM, TAPPET (1.650)	002	0	0
17	14920-KT7-013	SHIM, TAPPET (1.675)	002	0	0

17	14921-KT7-013	SHIM, TAPPET (1.700)	002	0	0
17	14922-KT7-013	SHIM, TAPPET (1.725)	002	0	0
17	14923-KT7-013	SHIM, TAPPET (1.750)	002	0	0
17	14924-KT7-013	SHIM, TAPPET (1.775)	002	0	0
17	14925-KT7-013	SHIM, TAPPET (1.800)	002	0	0
17	14926-KT7-013	SHIM, TAPPET (1.825)	002	0	0
17	14927-KT7-013	SHIM, TAPPET (1.850)	002	0	0
17	14928-KT7-013	SHIM, TAPPET (1.875)	002	0	0
17	14929-KT7-013	SHIM, TAPPET (1.900)	002	0	0
17	14930-KT7-013	SHIM, TAPPET (1.925)	002	0	0
17	14931-KT7-013	SHIM, TAPPET (1.950)	002	0	0
17	14932-KT7-013	SHIM, TAPPET (1.975)	002	0	0
17	14933-KT7-013	SHIM, TAPPET (2.000)	002	0	0
17	14934-KT7-013	SHIM, TAPPET (2.025)	002	0	0
17	14935-KT7-013	SHIM, TAPPET (2.050)	002	0	0
17	14936-KT7-013	SHIM, TAPPET (2.075)	002	0	0
17	14937-KT7-013	SHIM, TAPPET (2.100)	002	0	0
17	14938-KT7-013	SHIM, TAPPET (2.125)	002	0	0
17	14939-KT7-013	SHIM, TAPPET (2.150)	002	0	0
17	14940-KT7-013	SHIM, TAPPET (2.175)	002	0	0
17	14941-KT7-013	SHIM, TAPPET (2.200)	002	0	0
17	14942-KT7-013	SHIM, TAPPET (2.225)	002	0	0
17	14943-KT7-013	SHIM, TAPPET (2.250)	002	0	0
17	14944-KT7-013	SHIM, TAPPET (2.275)	002	0	0
17	14945-KT7-013	SHIM, TAPPET (2.300)	002	0	0
17	14946-KT7-013	SHIM, TAPPET (2.325)	002	0	0
17	14947-KT7-013	SHIM, TAPPET (2.350)	002	0	0
17	14948-KT7-013	SHIM, TAPPET (2.375)	002	0	0
17	14949-KT7-013	SHIM, TAPPET (2.400)	002	0	0
17	14950-KT7-013	SHIM, TAPPET (2.425)	002	0	0
17	14951-KT7-013	SHIM, TAPPET (2.450)	002	0	0
17	14952-KT7-013	SHIM, TAPPET (2.475)	002	0	0
17	14953-KT7-013	SHIM, TAPPET (2.500)	002	0	0
17	14954-KT7-013	SHIM, TAPPET (2.525)	002	0	0
17	14955-KT7-013	SHIM, TAPPET (2.550)	002	0	0
17	14956-KT7-013	SHIM, TAPPET (2.575)	002	0	0
17	14957-KT7-013	SHIM, TAPPET (2.600)	002	0	0

17	14958-KT7-013	SHIM, TAPPET (2.625)	002	0	0
17	14959-KT7-013	SHIM, TAPPET (2.650)	002	0	0
17	14960-KT7-013	SHIM, TAPPET (2.675)	002	0	0
17	14961-KT7-013	SHIM, TAPPET (2.700)	002	0	0
17	14962-KT7-013	SHIM, TAPPET (2.725)	002	0	0
17	14963-KT7-013	SHIM, TAPPET (2.750)	002	0	0
17	14964-KT7-013	SHIM, TAPPET (2.775)	002	0	0
17	14965-KT7-013	SHIM, TAPPET (2.800)	002	0	0
17	14966-KT7-013	SHIM, TAPPET (2.825)	002	0	0
17	14967-KT7-013	SHIM, TAPPET (2.850)	002	0	0
17	14968-KT7-013	SHIM, TAPPET (2.875)	002	0	0
17	14969-KT7-013	SHIM, TAPPET (2.900)	002	0	0
18	91007-KRN-671	BEARING, BALL RADIAL, 6905	001	0	0
19	96001-06012-00	BOLT, FLANGE, 6X12	001	0	0
20	12208-ML0-721	SEAL, EX. VALVE STEM (ARAI)	002	0	0
21	14771-KRN-A30	RETAINER, VALVE SPRING	002	0	0
22	14781-ML0-720	COTTER, VALVE	004	0	0

CRF250R CRF250R9 2009 ED

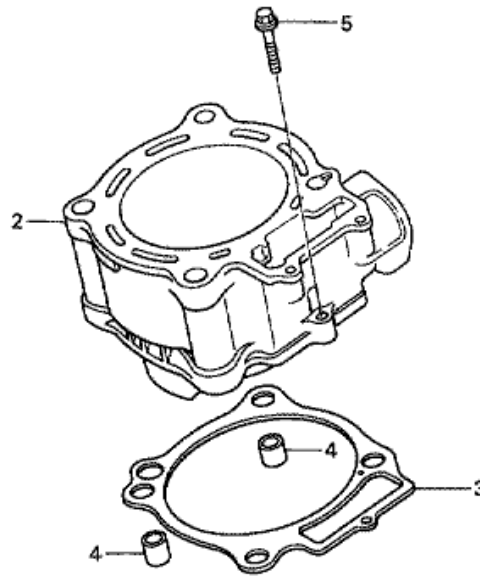
E-4 CAM CHAIN/TENSIONER



Refnr	Part Number	Description	Unit Qty	Order Qty	Repair Qty
1	14401-KRN-671	CHAIN, CAM (104L) (BORG WARNER)	001	0	0
2	14510-KRN-670	TENSIONER COMP., CAM CHAIN	001	0	0
3	14515-KF0-000	COLLAR, TENSIONER, 6X9	001	0	0
4	14520-KRN-671	LIFTER ASSY., TENSIONER	001	0	0
5	14560-MEN-671	GASKET, TENSIONER LIFTER	001	0	0
6	14620-KRN-670	GUIDE, CAM CHAIN	001	0	0
7	90004-GHB-600	BOLT, FLANGE, 6X10 (NSHF)	001	0	0
8	90004-GHB-630	BOLT, FLANGE, 6X16 (NSHF)	002	0	0
9	90088-MEB-670	BOLT, FLANGE, 6X25	001	0	0
10	90442-397-000	WASHER, SEALING, 6MM	001	0	0
11	90482-567-000	WASHER, SPECIAL, 6MM	001	0	0

CRF250R CRF250R9 2009 ED

E-5 CYLINDER



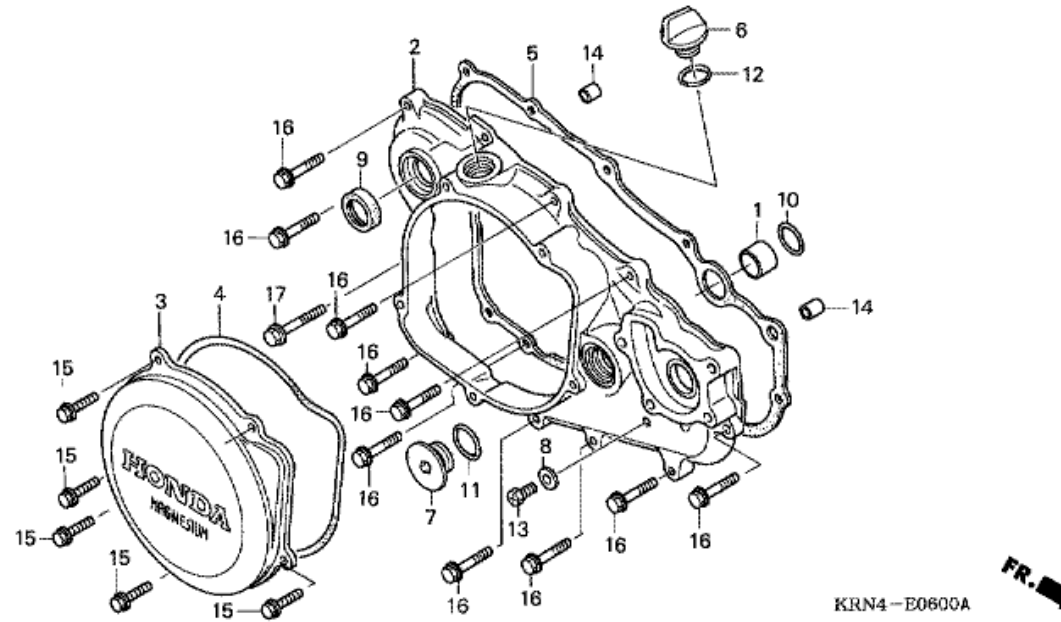
FR.

KRN4-EG500A

Refnr	Part Number	Description	Unit Qty	Order Qty	Repair Qty
2	12100-KRN-731	CYLINDER	001	0	0
3	12191-KRN-731	GASKET, CYLINDER	001	0	0
4	94301-12200	DOWEL PIN, 12X20	002	0	0
5	96001-06028-00	BOLT, FLANGE, 6X28	001	0	0

CRF250R CRF250R9 2009 ED

E-6 R. CRANKCASE COVER



KRN4-E0600A

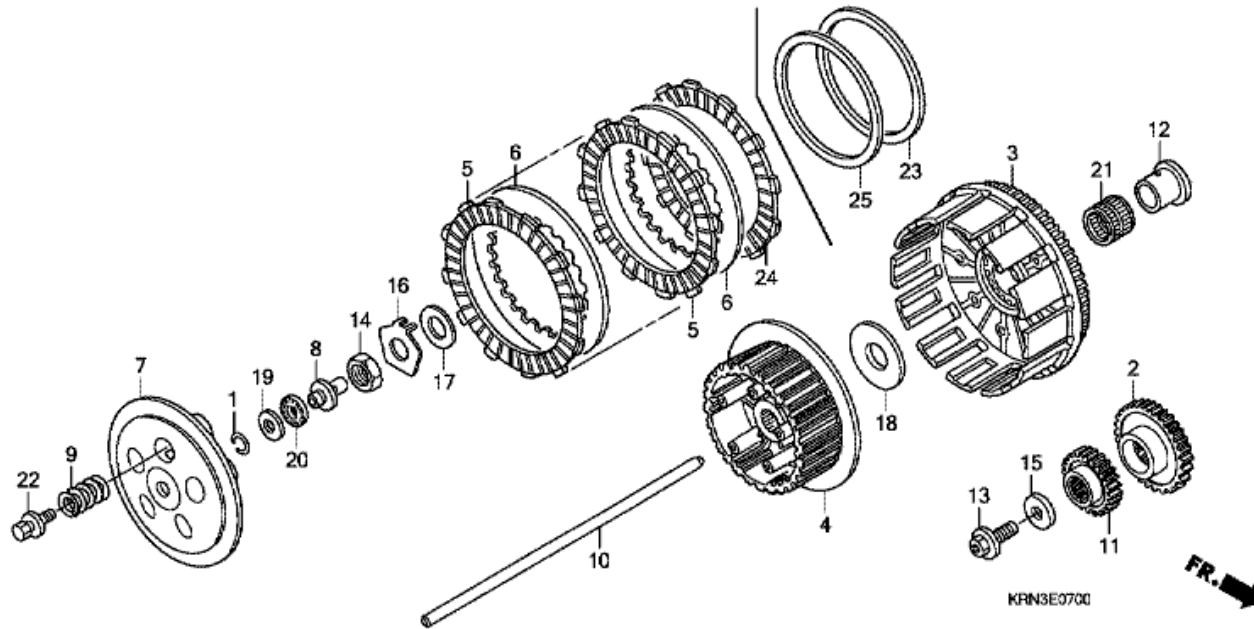
FR. →

Refnr	Part Number	Description	Unit Qty	Order Qty	Repair Qty
1	11102-KRN-670	COLLAR, WATER PASS, 16MM	001	0	0
2	11331-KRN-730	COVER, R. CRANKCASE	001	0	0
3	11351-KRN-A30	COVER, CLUTCH	001	0	0
3	11351-KRN-A20	COVER, CLUTCH	001	0	0
4	11352-KRN-671	GASKET, CLUTCH COVER	001	0	0
5	11394-KRN-A00	GASKET, R. COVER	001	0	0
6	15611-KA4-710	CAP, OIL FILLER	001	0	0
7	90087-KW3-000	CAP, 30MM	001	0	0
8	90463-ML7-000	WASHER, SEALING, 6.5MM	001	0	0
9	91205-KA3-712	OIL SEAL, 16.5X25X5 (NOK)	001	0	0
10	91304-MJ0-003	O-RING, 15.8X2.4 (SHOWA)	001	0	0

11	91305-KF0-003	O-RING, 27X2 (ARAI)	001	0	0
12	91307-035-000	O-RING, 18X3	001	0	0
13	90004-GHB-600	BOLT, FLANGE, 6X10 (NSHF)	001	0	0
14	94301-08140	DOWEL PIN, 8X14	002	0	0
15	96001-06020-00	BOLT, FLANGE, 6X20	005	0	0
16	96001-06028-00	BOLT, FLANGE, 6X28	010	0	0
17	96001-06035-00	BOLT, FLANGE, 6X35	001	0	0

CRF250R CRF250R9 2009 ED

E-7 CLUTCH

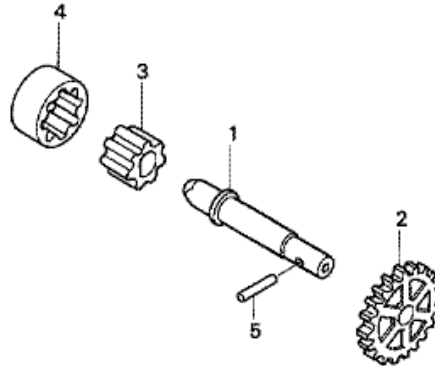


Refnr	Part Number	Description	Unit Qty	Order Qty	Repair Qty
1	13115-147-000	CLIP, PISTON PIN, 10MM	001	0	0
2	13415-KRN-A10	GEAR, BALANCER DRIVE (32T)	001	0	0
3	22100-KRN-A00	OUTER COMP., CLUTCH	001	0	0
4	22120-KRN-A00	CENTER, CLUTCH	001	0	0
5	22201-KRN-A10	DISK, CLUTCH FRICTION	007	0	0
6	22321-KF0-770	PLATE, CLUTCH	007	0	0
7	22351-KRN-A10	PLATE, CLUTCH PRESSURE	001	0	0
8	22352-KRN-670	PIECE, CLUTCH LIFTER	001	0	0
9	22401-KRN-A10	SPRING, CLUTCH	005	0	0
10	22850-KZ4-A90	ROD, CLUTCH LIFTER	001	0	0
11	23121-KRN-A00	GEAR, PRIMARY DRIVE (18T)	001	0	0
12	28237-KZ4-A10	COLLAR, CLUTCH OUTER	001	0	0

13	90013-MEB-670	BOLT, SPECIAL, 12X28	001	0	0
14	90235-KA4-000	NUT, 18MM	001	0	0
15	90402-KW6-960	WASHER, PLAIN, 12MM	001	0	0
16	90441-KSC-670	WASHER, LOCK, 18MM	001	0	0
17	90456-KA4-000	WASHER, THRUST, 18X32	001	0	0
18	90456-KS6-000	WASHER, THRUST, 20MM	001	0	0
19	90608-072-000	WASHER, 12MM	001	0	0
20	91001-147-003	BEARING, NEEDLE, 12MM (NTN)	001	0	0
21	91011-KS6-003	BEARING, NEEDLE, 25X29X22 (TOYO)	001	0	0
22	93404-06020-08	BOLT-WASHER, 6X20	005	0	0
23	22125-435-000	SEAT, JUDDER SPRING	001	0	0
24	22202-KSC-670	DISK B, CLUTCH FRICTION	001	0	0
25	22402-435-000	SPRING, JUDDER	001	0	0

CRF250R CRF250R9 2009 ED

E-8 OIL PUMP



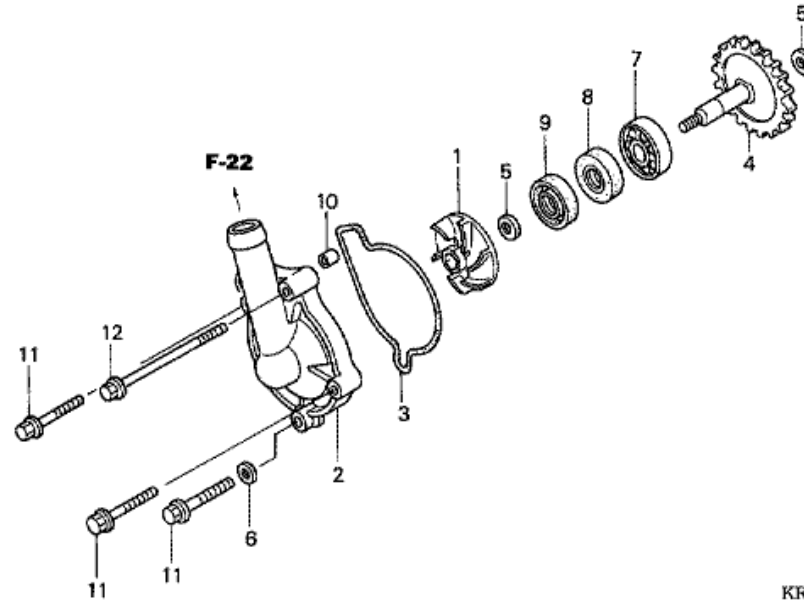
FR.

KRN4-E0800

Refnr	Part Number	Description	Unit Qty	Order Qty	Repair Qty
1	15111-KRN-670	SHAFT, OIL PUMP	001	0	0
2	15133-KRN-670	GEAR, OIL PUMP DRIVEN (18T)	001	0	0
3	15331-324-000	ROTOR, OIL PUMP INNER	001	0	0
4	15332-324-000	ROTOR, OIL PUMP OUTER	001	0	0
5	96220-30178	ROLLER, 3X17.8	001	0	0

CRF250R CRF250R9 2009 ED

E-9 WATER PUMP



KRN4-E0900

FR. →

Refnr	Part Number	Description	Unit Qty	Order Qty	Repair Qty
1	19215-KRN-A00	IMPELLER, WATER PUMP	001	0	0
2	19221-KRN-A00	COVER, WATER PUMP	001	0	0
3	19226-KRN-670	GASKET, WATER PUMP	001	0	0
4	19240-KRN-670	GEAR COMP., WATER PUMP (22T)	001	0	0
5	90447-KE1-000	WASHER, SEALING, 7MM	002	0	0
6	90463-ML7-000	WASHER, SEALING, 6.5MM	001	0	0
7	91001-KA4-003	BEARING, RADIAL BALL, 12X28X7 (NTN)	001	0	0
8	91201-148-003	OIL SEAL, 12X22X5 (ARAI)	001	0	0
9	91211-KSE-671	SEAL, WATER PUMP	001	0	0
10	94301-08100	DOWEL PIN, 8X10	001	0	0
11	96001-06028-00	BOLT, FLANGE, 6X28	003	0	0

12

96001-06070-00

BOLT, FLANGE, 6X70

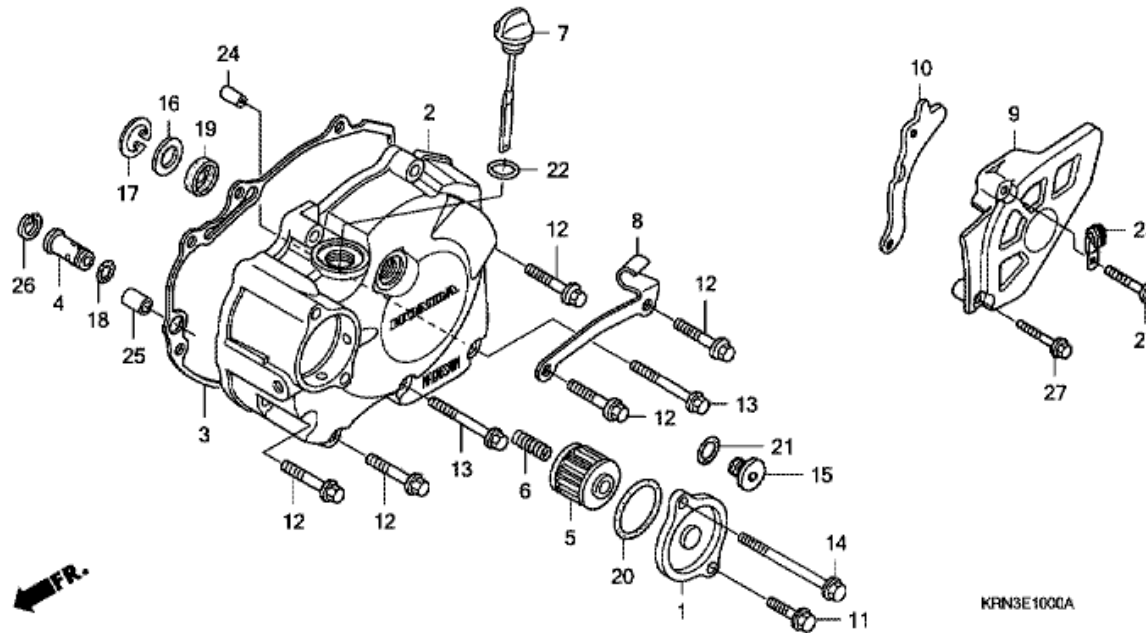
001

0

0

CRF250R CRF250R9 2009 ED

E-10 L. CRANKCASE COVER

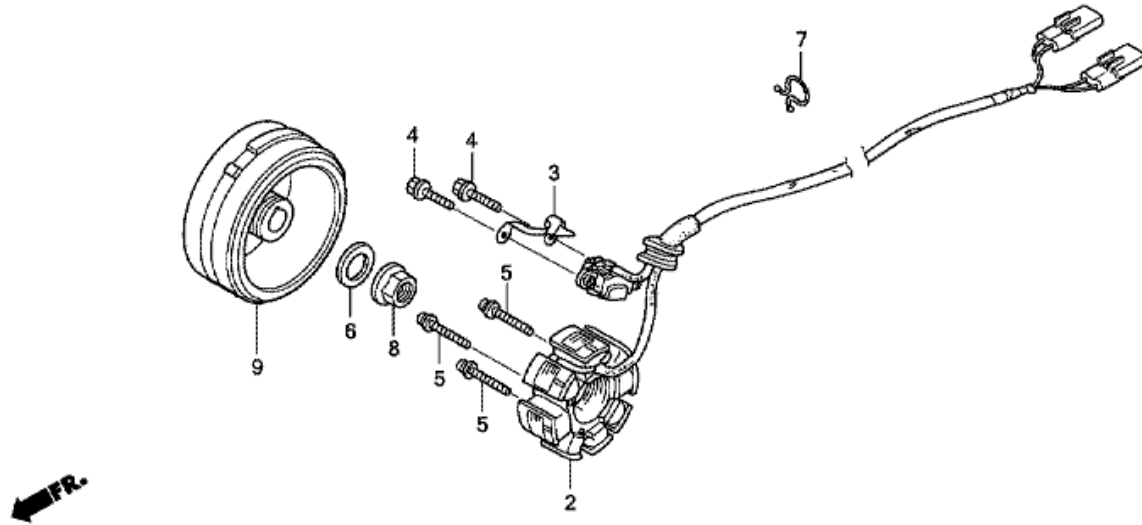


Refnr	Part Number	Description	Unit Qty	Order Qty	Repair Qty
1	11333-KRN-670	COVER, OIL FILTER	001	0	0
2	11340-KSC-A30	COVER COMP., L. CRANKCASE	001	0	0
2	11340-KRN-A20	COVER COMP., L. CRANKCASE	001	0	0
3	11395-KRN-670	GASKET, L. COVER	001	0	0
4	15220-MEB-770	VALVE ASSY., RELIEF	001	0	0
5	15412-MEN-671	FILTER COMP., ENGINE OIL	001	0	0
6	15414-MEB-670	SPRING, OIL FILTER	001	0	0
7	15650-KRN-670	GAUGE, OIL LEVEL	001	0	0
8	22838-KRN-670	RECEIVER, CLUTCH CABLE	001	0	0
9	23810-KRN-A20	COVER COMP., DRIVE SPROCKET	001	0	0
10	23812-KRN-670	GUIDE, DRIVE CHAIN	001	0	0
11	90004-GHB-630	BOLT, FLANGE, 6X16 (NSHF)	001	0	0

12	90004-GHB-690	BOLT, FLANGE, 6X32 (NSHF)	005	0	0
13	90004-GHB-710	BOLT, FLANGE, 6X40 (NSHF)	002	0	0
14	90004-GHB-780	BOLT, FLANGE, 6X75 (NSHF)	001	0	0
15	90084-MEN-670	CAP, 14MM	001	0	0
16	90451-459-770	WASHER, THRUST, 13MM	001	0	0
17	90602-MEB-670	CIRCLIP, SPECIAL INTERNAL, 24MM	001	0	0
18	90751-GK1-003	O-RING, 8.5X1.7	001	0	0
19	91204-HP1-601	OIL SEAL, 10X21X5	001	0	0
20	91302-PA9-003	O-RING, 39.8X2.2 (ARAI)	001	0	0
21	91303-377-000	O-RING, 13.8X2.5	001	0	0
22	91307-035-000	O-RING, 18X3	001	0	0
23	91410-679-000	CLIP, 2X60	001	0	0
24	94301-08140	DOWEL PIN, 8X14	001	0	0
25	94301-10160	DOWEL PIN, 10X16	001	0	0
26	94520-14000	CIRCLIP, INTERNAL, 14MM	001	0	0
27	96001-06030-07	BOLT, FLANGE, 6X30	002	0	0

CRF250R CRF250R9 2009 ED

E-11 GENERATOR

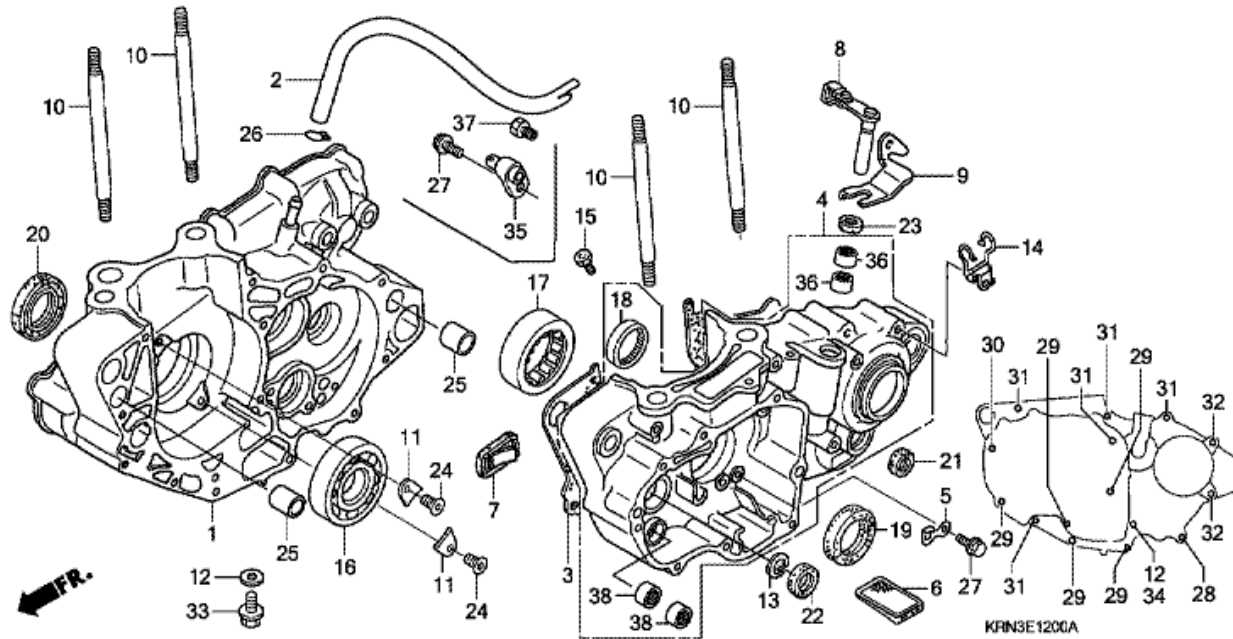


KRNIE1100B

Refnr	Part Number	Description	Unit Qty	Order Qty	Repair Qty
2	31120-KRN-670	STATOR COMP.	001	0	0
3	32112-KRN-670	CLAMPER, CORD	001	0	0
4	90005-896-000	BOLT, FLANGE, 5X16	002	0	0
5	90010-MEB-670	SCREW-WASHER, 4X24	003	0	0
6	90437-611-000	WASHER, PLAIN, 12MM	001	0	0
7	90630-751-000	CLIP, PURSE LOCK	001	0	0
8	94050-12000	NUT, FLANGE, 12MM	001	0	0
9	31110-KRN-670	FLYWHEEL COMP.	001	0	0

CRF250R CRF250R9 2009 ED

E-12 CRANKCASE

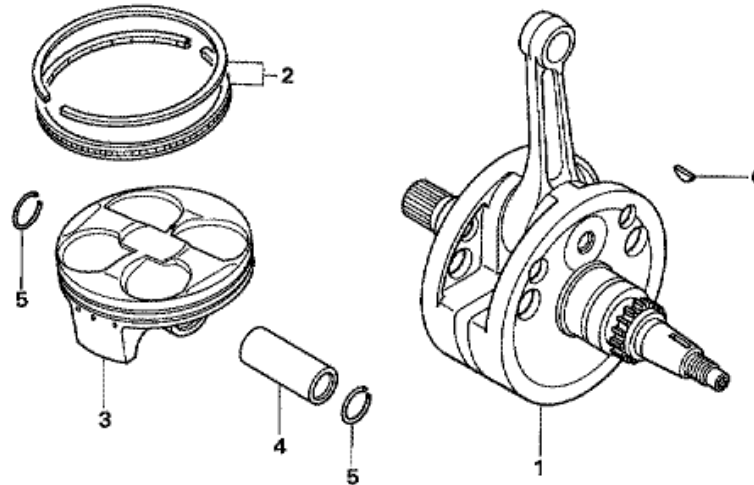


Refnr	Part Number	Description	Unit Qty	Order Qty	Repair Qty
1	11100-KRN-A30	CRANKCASE COMP., R.	001	0	0
2	11105-KRN-670	TUBE, BREATHER	001	0	0
3	11191-KRN-A10	GASKET, CRANKCASE	001	0	0
4	11200-KRN-A30	CRANKCASE COMP., L.	001	0	0
5	11206-KRN-670	PLATE, CAM CHAIN GUIDE	001	0	0
6	15421-KK0-000	SCREEN, OIL FILTER	001	0	0
7	18601-MBW-003	VALVE COMP., REED	001	0	0
8	22810-KRN-730	LEVER COMP., CLUTCH LIFTER	001	0	0
10	90031-KRN-670	BOLT, STUD, 10X135	004	0	0
11	90441-KRN-670	PLATE, BEARING HOLDER	002	0	0
12	90474-333-000	WASHER, SEALING, 8MM	002	0	0
13	90604-MEB-670	CIRCLIP, SPECIAL, 33MM	001	0	0

14	90610-MEB-670	GUIDE COMP., TUBE	001	0	0
16	91001-KRN-671	BEARING, RADIAL BALL, 30X72X16	001	0	0
17	91002-KRN-A11	BEARING, SPECIAL ROLLER	001	0	0
18	91022-KA4-740	BEARING, SHELL, 33X38X8 (NTN)	001	0	0
19	91201-MEB-671	OIL SEAL, 38X52X7 (ARAI)	001	0	0
20	91202-MEY-671	OIL SEAL, 39X56X7.5 (ARAI)	001	0	0
21	91203-KA4-771	OIL SEAL, 14X22X5 (NOK)	001	0	0
22	91203-MEB-671	OIL SEAL, 20X33X5 (ARAI)	001	0	0
23	91205-MEB-671	OIL SEAL, 12X18X3 (ARAI)	001	0	0
24	90001-MEN-850	SCREW, SPECIAL FLAT, 6X17	002	0	0
25	94301-14200	DOWEL PIN, 14X20	002	0	0
26	95002-02100	CLIP, TUBE (B10)	001	0	0
27	96001-06012-00	BOLT, FLANGE, 6X12	002	0	0
28	96001-06040-00	BOLT, FLANGE, 6X40	001	0	0
29	96001-06045-00	BOLT, FLANGE, 6X45	005	0	0
30	96001-06060-00	BOLT, FLANGE, 6X60	001	0	0
31	96001-06070-00	BOLT, FLANGE, 6X70	005	0	0
32	96001-06075-00	BOLT, FLANGE, 6X75	002	0	0
33	96300-08025-00	BOLT, FLANGE, 8X25	001	0	0
34	96300-08070-00	BOLT, FLANGE, 8X70	001	0	0
35	11210-KRN-730	JET COMP., PISTON, #80	001	0	0
36	91053-719-005	BEARING, NEEDLE, 12X16X10 (NTN)	002	0	0
38	91006-HA0-003	BEARING, NEEDLE, 9MM (NTN)	002	0	0

CRF250R CRF250R9 2009 ED

E-13 CRANKSHAFT/PISTON

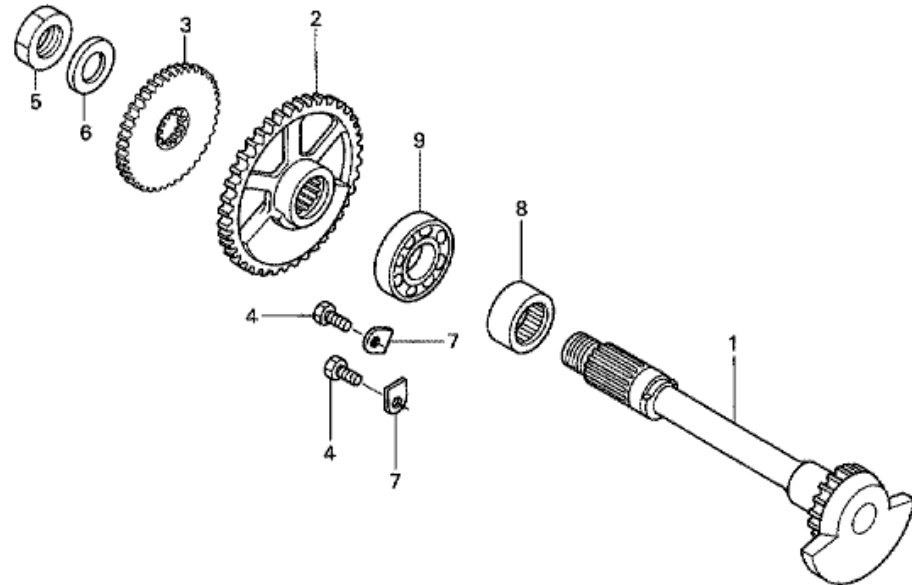


KRN4-E1300A

Refnr	Part Number	Description	Unit Qty	Order Qty	Repair Qty
1	13000-KRN-A10	CRANKSHAFT COMP.	001	0	0
2	13011-KRN-A10	RING SET, PISTON (STD.)	001	0	0
3	13101-KRN-A10	PISTON	001	0	0
4	13111-KRN-850	PIN, PISTON	001	0	0
5	13115-KM7-700	CLIP, PISTON PIN, 16MM	002	0	0
6	13331-360-000	KEY, SPECIAL WOODRUFF, 25X14	001	0	0

CRF250R CRF250R9 2009 ED

E-14 BALANCER

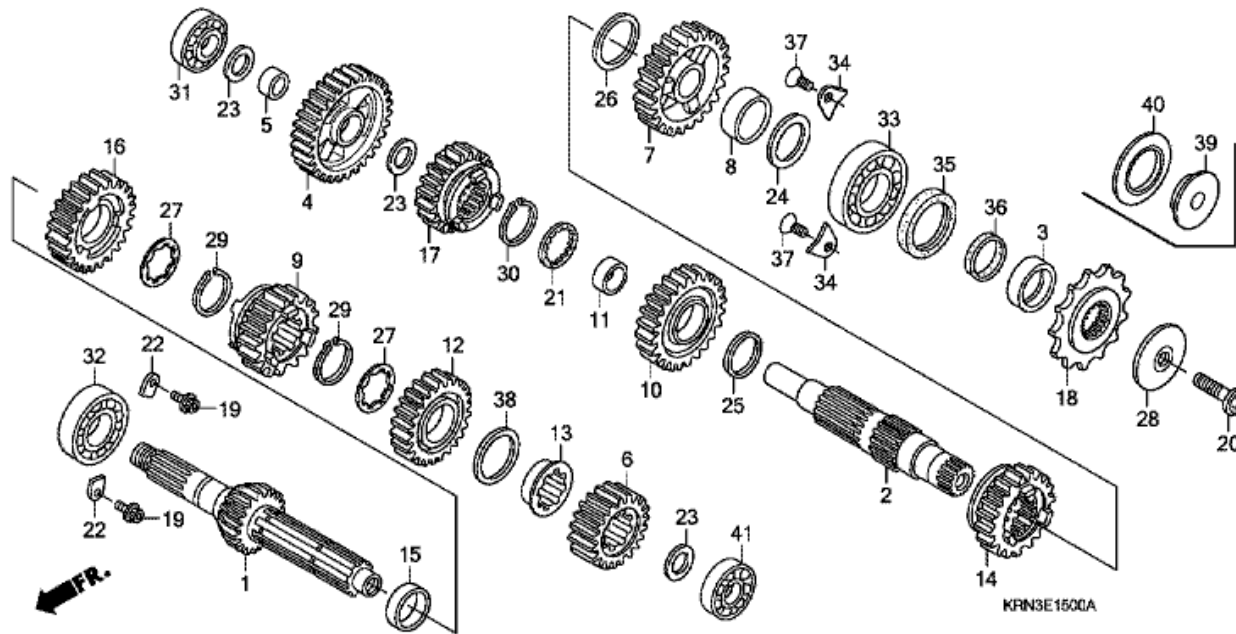


KRN4-E1400

Refnr	Part Number	Description	Unit Qty	Order Qty	Repair Qty
1	13420-KRN-A10	SHAFT COMP., BALANCER	001	0	0
2	13422-KRN-A10	GEAR, BALANCER DRIVEN (32T)	001	0	0
3	19245-KRN-671	GEAR, WATER PUMP DRIVE (19T)	001	0	0
4	90038-KY4-900	BOLT, HEX., 6X16	002	0	0
5	90204-MN5-000	NUT, HEX., 14MM	001	0	0
6	90433-KE1-000	WASHER, 14MM	001	0	0
7	90441-KA4-700	PLATE, BEARING HOLDER	002	0	0
8	91004-MEB-671	BEARING, SPECIAL ROLLER, 20X32X14	001	0	0
9	91005-MEB-671	BEARING, RADIAL BALL, 6003	001	0	0

CRF250R CRF250R9 2009 ED

E-15 TRANSMISSION

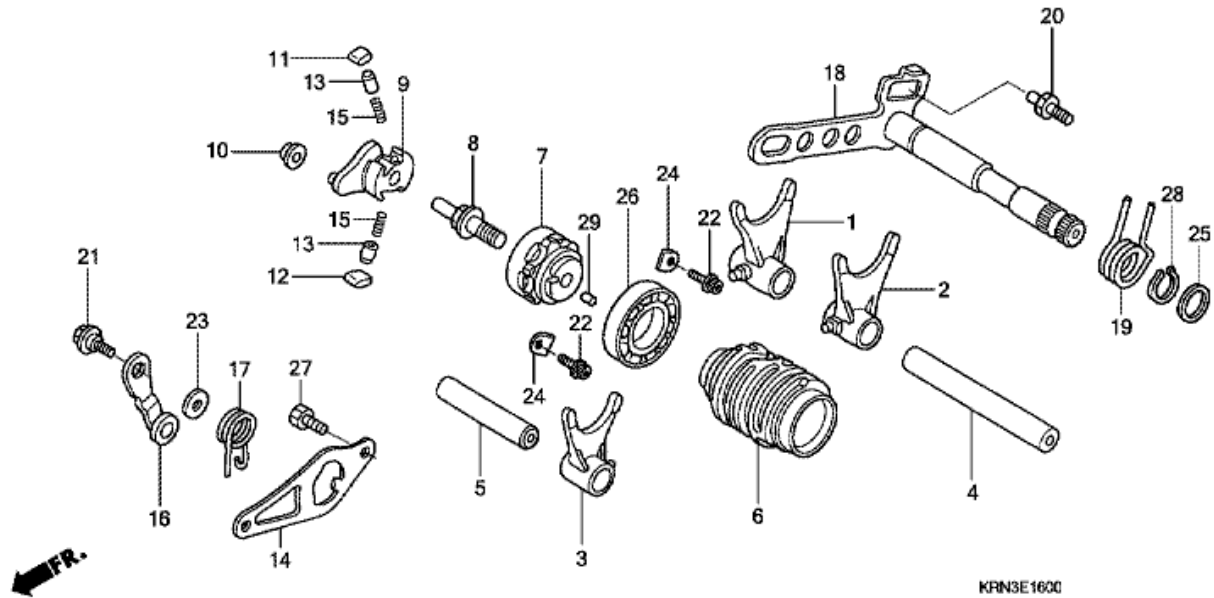


Refnr	Part Number	Description	Unit Qty	Order Qty	Repair Qty
1	23210-KRN-A10	MAINSHAFT COMP. (14T)	001	0	0
2	23221-KRN-A10	COUNTERSHAFT	001	0	0
3	23225-KSC-670	COLLAR, COUNTERSHAFT	001	0	0
4	23411-KRN-670	GEAR, COUNTERSHAFT LOW (30T)	001	0	0
5	23413-KZ4-J00	COLLAR, 17MM	001	0	0
6	23421-KRN-670	GEAR, MAINSHAFT SECOND (16T)	001	0	0
7	23431-KRN-A30	GEAR, COUNTERSHAFT SECOND (28T)	001	0	0
8	23432-KRN-730	COLLAR, 24MM	001	0	0
9	23441-KRN-A30	GEAR, MAINSHAFT THIRD (20T)	001	0	0
10	23451-KRN-A30	GEAR, COUNTERSHAFT THIRD (29T)	001	0	0
11	23452-KSC-670	COLLAR, COUNTERSHAFT THIRD GEAR	001	0	0
12	23461-KRN-A30	GEAR, MAINSHAFT FOURTH (22T)	001	0	0

13	23462-KZ4-J00	COLLAR, MAINSHAFT FOURTH GEAR	001	0	0
14	23471-KRN-A30	GEAR, COUNTERSHAFT FOURTH (27T)	001	0	0
15	23472-KZ4-000	COLLAR, 20MM	001	0	0
16	23481-KRN-670	GEAR, MAINSHAFT FIFTH (24T)	001	0	0
17	23491-KRN-A30	GEAR, COUNTERSHAFT FIFTH (25T)	001	0	0
18	23801-KSR-A00	SPROCKET, DRIVE (13T)	001	0	0
19	90071-MF5-000	BOLT, FLANGE SOCKET, 6X14	002	0	0
20	90112-413-000	BOLT, UBS, 8X33	001	0	0
21	90404-KW3-000	WASHER, THRUST INVOLUTE, 22X21X1	001	0	0
22	90441-KA4-700	PLATE, BEARING HOLDER	002	0	0
23	90446-357-000	WASHER, THRUST, 17.2MM	003	0	0
24	90453-KSR-A00	WASHER, 22X32X1.5	001	0	0
25	90452-KZ4-000	WASHER, THRUST, 22X30X1	001	0	0
26	90452-KSR-A00	WASHER, 24X32X1	001	0	0
27	90461-444-000	WASHER, SPLINE, 20MM	002	0	0
29	90601-360-000	SET RING, 20MM	002	0	0
30	90602-360-000	SET RING, 22MM	001	0	0
31	91001-KZ4-J11	BEARING, RADIAL BALL, 17X35X10	001	0	0
32	91004-KSC-671	BEARING, RADIAL BALL, 22X47X14	001	0	0
33	91005-KRN-A01	BEARING, RADIAL BALL, 22X52X14	001	0	0
34	91012-KA3-710	PLATE, COUNTERSHAFT BEARING	002	0	0
35	91201-KSR-A01	OIL SEAL, 28X37X7	001	0	0
36	91301-KSR-A01	D-RING, 22MM	001	0	0
37	93600-06010-0H	SCREW, FLAT, 6X10	002	0	0
38	90401-KZ4-J00	WASHER, THRUST, 23.1X28X1	001	0	0
39	23802-KSC-670	COLLAR, DRIVE SPROCKET	001	0	0
40	90501-KSC-670	WASHER, SPRING, 24MM	001	0	0
41	91006-KRN-A01	BEARING, RADIAL BALL, 17X38X10	001	0	0

CRF250R CRF250R9 2009 ED

E-16 GEARSHIFT DRUM



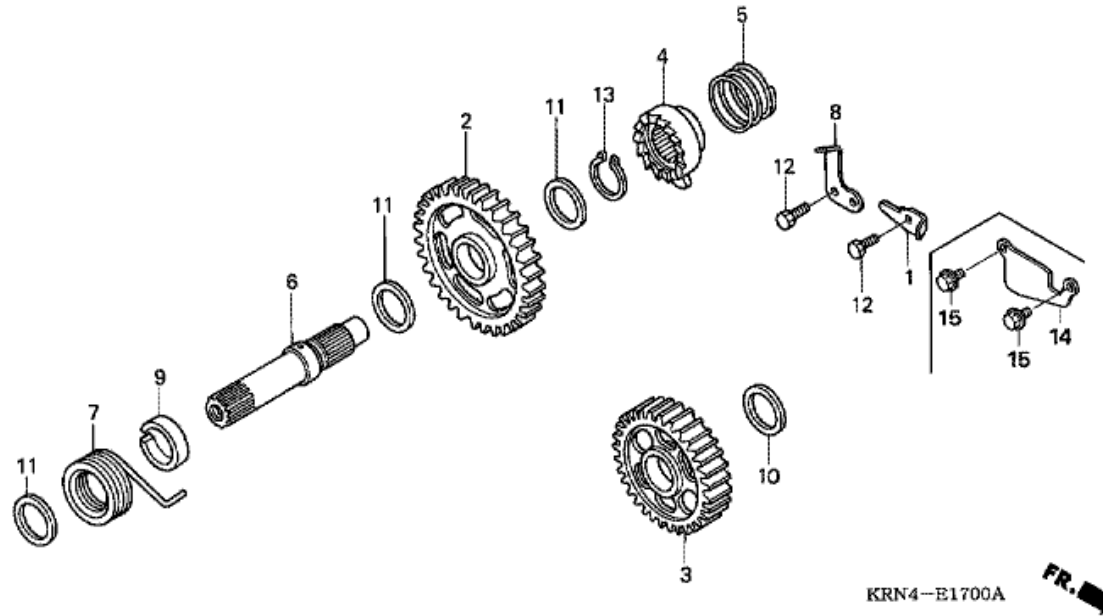
KRN3E1600

Refnr	Part Number	Description	Unit Qty	Order Qty	Repair Qty
1	24211-KRN-730	FORK, R. GEARSHIFT	001	0	0
2	24221-KRN-730	FORK, L. GEARSHIFT	001	0	0
3	24231-KRN-730	FORK, CENTER GEARSHIFT	001	0	0
4	24241-KSC-670	SHAFT A, SHIFT FORK	001	0	0
5	24242-KSC-670	SHAFT B, SHIFT FORK	001	0	0
6	24311-KRN-A30	DRUM, GEARSHIFT	001	0	0
7	24312-KRN-A30	CENTER, GEARSHIFT DRUM	001	0	0
8	24315-HA0-000	PIN, SHIFTER	001	0	0
9	24321-KZ4-620	SHIFTER, DRUM	001	0	0
10	24322-MM4-000	COLLAR, SHIFTER	001	0	0
11	24324-KA3-711	PAWL A, RATCHET	001	0	0
12	24325-KA3-711	PAWL B, RATCHET	001	0	0

13	24326-KBH-901	PLUNGER, PAWL	002	0	0
14	24328-KRN-670	PLATE, GUIDE	001	0	0
15	24329-KA3-740	SPRING, PAWL PLUNGER	002	0	0
16	24430-KRN-A30	STOPPER COMP., GEARSHIFT DRUM	001	0	0
17	24435-KSE-670	SPRING, DRUM STOPPER	001	0	0
18	24610-KRN-730	SPINDLE COMP., GEARSHIFT	001	0	0
19	24651-MEB-670	SPRING, GEARSHIFT RETURN	001	0	0
20	24652-HA0-000	PIN, GEARSHIFT RETURN SPRING	001	0	0
21	90022-MG8-000	PIVOT, SHIFT DRUM STOPPER ARM	001	0	0
22	90071-MF5-000	BOLT, FLANGE SOCKET, 6X14	002	0	0
23	90435-HB3-000	WASHER, 6.1MM	001	0	0
24	90441-KA4-700	PLATE, BEARING HOLDER	002	0	0
25	90451-155-000	WASHER, 14MM	001	0	0
26	91004-KY4-900	BEARING, RADIAL BALL, 6905U	001	0	0
27	93301-06016-0A	BOLT, HEX., 6X16	002	0	0
28	94510-14000	CIRCLIP, EXTERNAL, 14MM	001	0	0
29	96220-40080	ROLLER, 4X8	001	0	0

CRF250R CRF250R9 2009 ED

E-17 KICK STARTER SPINDLE

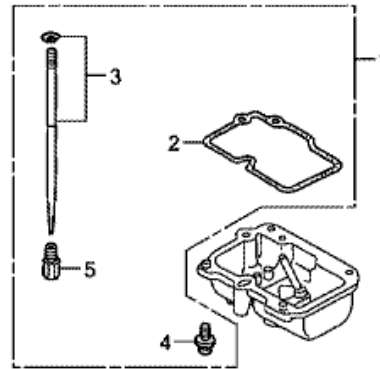
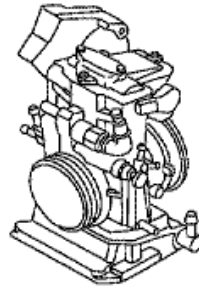


Refnr	Part Number	Description	Unit Qty	Order Qty	Repair Qty
2	28210-KRN-670	PINION COMP., KICK STARTER (33T)	001	0	0
3	28230-KRN-670	GEAR COMP., STARTER IDLE (30T)	001	0	0
4	28241-KA3-710	RATCHET, STARTER	001	0	0
5	28242-KA3-710	SPRING, RATCHET	001	0	0
6	28251-KZ4-000	SPINDLE, KICK STARTER	001	0	0
7	28261-KA3-710	SPRING, STARTER RETURN	001	0	0
8	28262-KS6-701	PLATE, RATCHET SLIDER	001	0	0
9	28282-KZ4-B00	COLLAR, KICK SPINDLE	001	0	0
10	90452-178-000	WASHER, THRUST, 17MM	001	0	0
11	90501-444-000	WASHER, 16.8X24	003	0	0
12	93301-06016-0A	BOLT, HEX., 6X16	001	0	0
13	94510-16000	CIRCLIP, EXTERNAL, 16MM	001	0	0

14	15201-KRN-730	PLATE, OIL GUIDE	001	0	0
15	96300-06012-00	BOLT, FLANGE, 6X12	002	0	0

CRF250R CRF250R9 2009 ED

E-18-1 CARBURETOR O.P. KIT



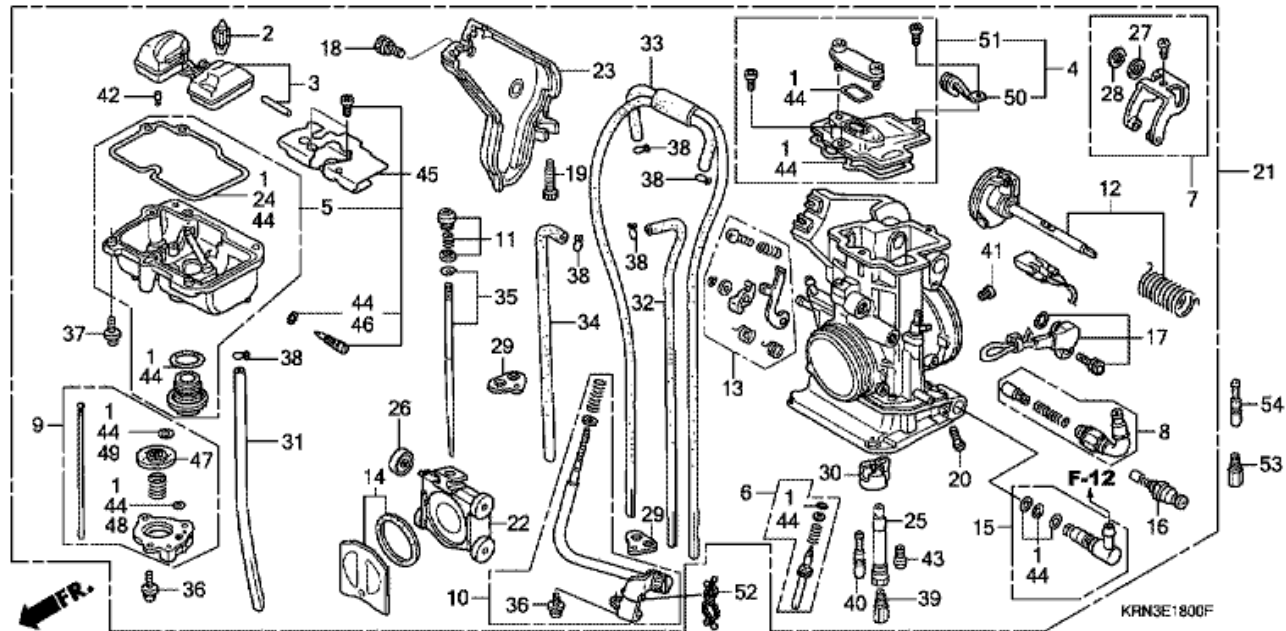
KRN3E1801

Refnr	Part Number	Description	Unit Qty	Order Qty	Repair Qty
1	16020-KRN-E32	PARTS KIT, CARBURETOR OPTIONAL	(1)	0	0
2	16163-MEB-671	GASKET, FLOAT CHAMBER	(5)	0	0
3	16201-KRN-E31	NEEDLE SET, JET (NNTS)	(1)	0	0
3	16202-KRN-E31	NEEDLE SET, JET (NNTT)	(1)	0	0
3	16204-KRN-E31	NEEDLE SET, JET (NNTV)	(1)	0	0
3	16205-KRN-E31	NEEDLE SET, JET (NNTW)	(1)	0	0
3	16230-KRN-E31	NEEDLE SET, JET (NPAS)	(1)	0	0
3	16231-KRN-E31	NEEDLE SET, JET (NPAT)	(1)	0	0
3	16232-KRN-E31	NEEDLE SET, JET (NPAU)	(1)	0	0
3	16233-KRN-E31	NEEDLE SET, JET (NPAV)	(1)	0	0
3	16234-KRN-E31	NEEDLE SET, JET (NPAW)	(1)	0	0
4	93892-04014-18	SCREW-WASHER, 4X14	(10)	0	0

5	99101-357-1680	JET, MAIN, #168	(1)	0	0
5	99101-357-1700	JET, MAIN, #170	(1)	0	0
5	99101-357-1720	JET, MAIN, #172	(1)	0	0
5	99101-357-1750	JET, MAIN, #175	(1)	0	0
5	99101-357-1800	JET, MAIN, #180	(1)	0	0
5	99101-357-1820	JET, MAIN, #182	(1)	0	0

CRF250R CRF250R9 2009 ED

E-18 CARBURETOR



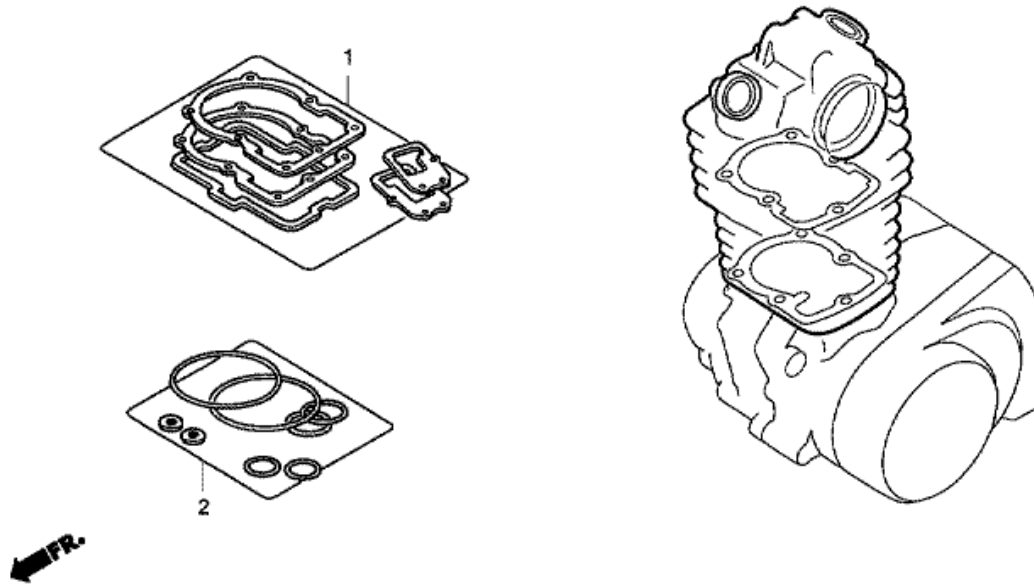
Refnr	Part Number	Description	Unit Qty	Order Qty	Repair Qty
2	16011-MEN-851	VALVE SET, FLOAT	001	0	0
3	16013-KRN-851	FLOAT SET	001	0	0
6	16016-KRN-A01	SCREW SET A	001	0	0
7	16018-MEY-A11	ARM SET, LINK	001	0	0
8	16019-MEB-671	START SET, HOT	001	0	0
9	16021-MEN-A01	DIAPHRAGM SET, PUMP	001	0	0
10	16028-MEN-A01	SCREW SET B	001	0	0
11	16029-MEY-A11	SCREW SET, JET NEEDLE	001	0	0
12	16032-KRN-A11	SHAFT SET, THROTTLE	001	0	0
13	16033-MEN-A01	LEVER SET, PUMP	001	0	0
14	16037-MEB-671	VALVE SET, FLOATING	001	0	0
15	16038-KRN-671	JOINT SET, FUEL	001	0	0

16	16046-MEB-671	VALVE SET, STARTER	001	0	0
17	16060-KRN-671	SENSOR ASSY., THROTTLE	001	0	0
18	16080-HP1-601	BOLT, COVER	001	0	0
20	16083-MEB-671	SCREW, PAN	001	0	0
21	16100-KRN-E31	CARBURETOR ASSY. (FCR12D A)	001	0	0
22	16112-HP1-A01	VALVE, THROTTLE	001	0	0
23	16157-MEN-A01	COVER, THROTTLE	001	0	0
24	16163-MEB-671	GASKET, FLOAT CHAMBER	001	0	0
25	16165-MEN-A01	HOLDER, NEEDLE JET	001	0	0
26	16172-MEB-671	ROLLER	001	0	0
27	16177-MEB-671	WASHER, PLAIN (PO)	001	0	0
28	16178-MEB-671	WASHER, PLAIN (SUS)	001	0	0
29	16178-MEN-851	BINDER	002	0	0
30	16185-KRN-851	PLATE, BUFFER	001	0	0
31	16196-MEN-851	TUBE, OVERFLOW	001	0	0
32	16197-MEB-671	TUBE, AIR VENT	001	0	0
33	16198-MEB-671	TUBE COMP., AIR VENT	001	0	0
34	16199-MEB-671	TUBE, AIR VENT	001	0	0
35	16201-KRN-E31	NEEDLE SET, JET (NNTS)	(1)	0	0
35	16202-KRN-E31	NEEDLE SET, JET (NNTT)	(1)	0	0
35	16203-KRN-E31	NEEDLE SET, JET (NNTU)	001	0	0
35	16204-KRN-E31	NEEDLE SET, JET (NNTV)	(1)	0	0
35	16205-KRN-E31	NEEDLE SET, JET (NNTW)	(1)	0	0
35	16230-KRN-E31	NEEDLE SET, JET (NPAS)	(1)	0	0
35	16231-KRN-E31	NEEDLE SET, JET (NPAT)	(1)	0	0
35	16232-KRN-E31	NEEDLE SET, JET (NPAU)	(1)	0	0
35	16233-KRN-E31	NEEDLE SET, JET (NPAV)	(1)	0	0
35	16234-KRN-E31	NEEDLE SET, JET (NPAW)	(1)	0	0
36	93892-04008-18	SCREW-WASHER, 4X8	004	0	0
37	93892-04014-18	SCREW-WASHER, 4X14	004	0	0
38	95002-02079	CLIP, TUBE (B7)	005	0	0
39	99101-357-1680	JET, MAIN, #168	(1)	0	0
39	99101-357-1700	JET, MAIN, #170	(1)	0	0
39	99101-357-1720	JET, MAIN, #172	(1)	0	0
39	99101-357-1750	JET, MAIN, #175	(1)	0	0
39	99101-357-1780	JET, MAIN, #178	001	0	0
39	99101-357-1800	JET, MAIN, #180	(1)	0	0

39	99101-357-1820	JET, MAIN, #182	(1)	0	0
39	99101-357-1850	JET, MAIN, #185	(1)	0	0
39	99101-357-1880	JET, MAIN, #188	(1)	0	0
40	99103-440-0380	JET, SLOW, #38	(1)	0	0
40	99103-440-0400	JET, SLOW, #40	(1)	0	0
40	99103-440-0420	JET, SLOW, #42	001	0	0
40	99103-440-0450	JET, SLOW, #45	(1)	0	0
40	99103-440-0480	JET, SLOW, #48	(1)	0	0
42	99108-KRN-0700	JET, LEAK, #70	001	0	0
42	99108-KRN-0750	JET, LEAK, #75	(1)	0	0
42	99108-KRN-0800	JET, LEAK, #80	(1)	0	0
42	99108-KSC-0650	JET, LEAK, #65	(1)	0	0
42	99108-KSE-0600	JET, LEAK, #60	(1)	0	0
43	99112-KRN-0680	JET, BY-STARTER, #68	001	0	0
44	16010-KSC-671	GASKET SET	001	0	0
45	16015-KRN-A01	CHAMBER SET, FLOAT	001	0	0
46	16076-ND5-004	O-RING, 1.3X4.3	001	0	0
50	16088-KRN-A01	CLIP	001	0	0
51	16014-KRN-A01	TOP SET	001	0	0
52	90651-680-961	HOLDER, CABLE	001	0	0
53	99101-357-1750	JET, MAIN, #175 (OTHER PARTS)	001	0	0
53	99101-357-1800	JET, MAIN, #180 (OTHER PARTS)	001	0	0
54	99103-440-0400	JET, SLOW, #40 (OTHER PARTS)	001	0	0
54	99103-440-0450	JET, SLOW, #45 (OTHER PARTS)	001	0	0

CRF250R CRF250R9 2009 ED

EOP-1 GASKET KIT A

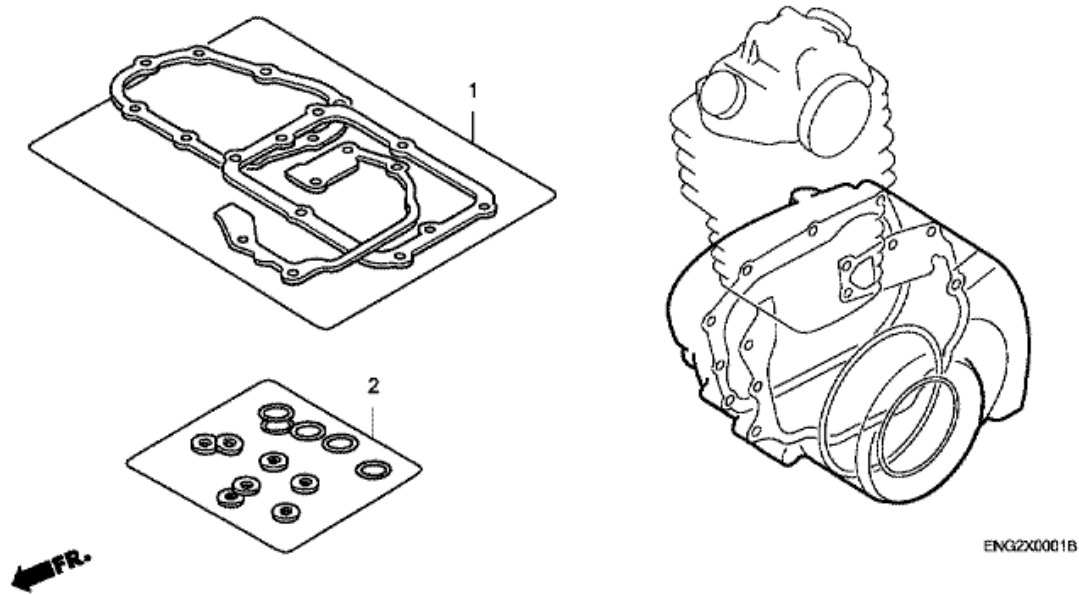


ENG1X0001B

Refnr	Part Number	Description	Unit Qty	Order Qty	Repair Qty
1	06113-KRN-710	GASKET SHEET KIT A (COMPONENT PARTS)	001	0	0
1	12191-KRN-731	GASKET, CYLINDER	001	0	0
1	12251-KRN-731	GASKET, CYLINDER HEAD	001	0	0
1	12391-KRN-670	GASKET, HEAD COVER	001	0	0
1	14560-MEN-671	GASKET, TENSIONER LIFTER	001	0	0
1	18291-MM5-860	GASKET, EX. PIPE	001	0	0

CRF250R CRF250R9 2009 ED

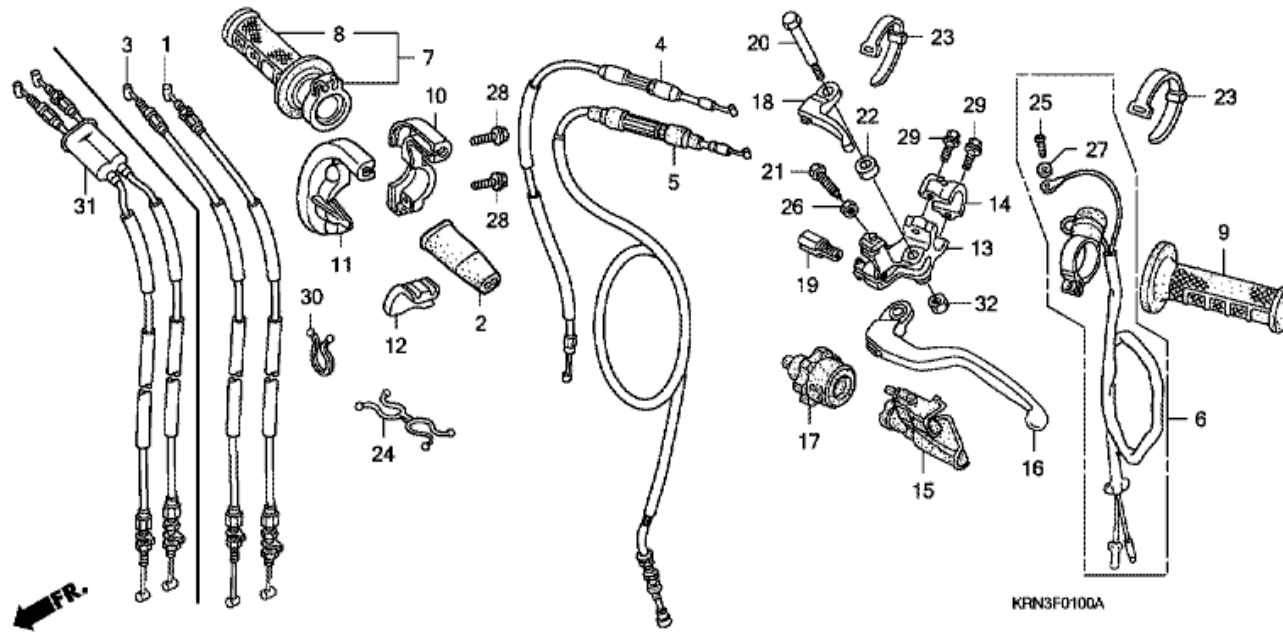
EOP-2 GASKET KIT B



Refnr	Part Number	Description	Unit Qty	Order Qty	Repair Qty
1	06115-KRN-A10	GASKET SHEET KIT B (COMPONENT PARTS)	001	0	0
1	11191-KRN-A10	GASKET, CRANKCASE	001	0	0
1	11352-KRN-671	GASKET, CLUTCH COVER	001	0	0
1	11394-KRN-A00	GASKET, R. COVER	001	0	0
1	11395-KRN-670	GASKET, L. COVER	001	0	0
1	19226-KRN-670	GASKET, WATER PUMP	001	0	0

CRF250R CRF250R9 2009 ED

F-1 HANDLE LEVER/SWITCH/CABLE

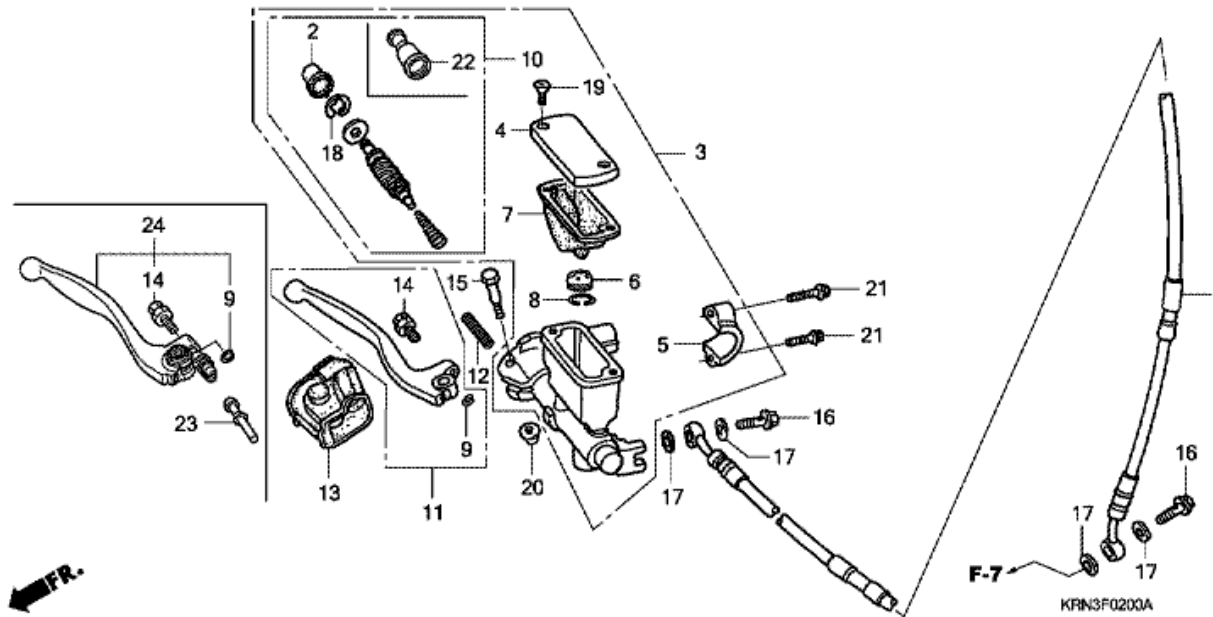


Refnr	Part Number	Description	Unit Qty	Order Qty	Repair Qty
4	17950-MEN-A10	CABLE COMP., HOT STARTER	001	0	0
5	22870-KRN-A10	CABLE COMP., CLUTCH	001	0	0
6	35130-MEB-670	SWITCH ASSY., KILL	001	0	0
7	53140-KRN-A30	GRIP COMP., THROTTLE	001	0	0
9	53166-KRN-A30	GRIP, L. HANDLE	001	0	0
10	53167-MEB-672	HOUSING, UPPER THROTTLE	001	0	0
11	53168-MEB-671	HOUSING, UNDER THROTTLE	001	0	0
12	53169-MEB-670	SLIDER, THROTTLE CABLE	001	0	0
13	53172-MEN-670	BRACKET, L. HANDLE LEVER	001	0	0
14	53174-KCE-670	HOLDER, L. LEVER BRACKET	001	0	0
15	53177-MEN-670	COVER, L. HANDLE LEVER	001	0	0
16	53178-MEN-A01	LEVER, L. STEERING HANDLE	001	0	0

17	53179-MEN-671	DIAL, CLUTCH CABLE ADJUSTING	001	0	0
18	53190-MEN-670	LEVER, HOT STARTER	001	0	0
19	53192-MEN-670	BOLT, WIRE ADJUSTING	001	0	0
20	90113-MEY-A10	BOLT, HANDLE LEVER PIVOT	001	0	0
21	90118-MEN-670	BOLT, LEVER ADJUSTING	001	0	0
22	90501-MEN-670	COLLAR, PIVOT	001	0	0
23	90650-KV6-003	BAND, WIRE, 95MM	002	0	0
24	90658-SA0-003	CLIP, WIRE HARNESS	001	0	0
25	93500-04012-1A	SCREW, PAN, 4X12	001	0	0
26	94001-06000-0S	NUT, HEX., 6MM	001	0	0
27	94111-04000	WASHER, SPRING, 4MM	001	0	0
28	96001-06020-07	BOLT, FLANGE, 6X20	002	0	0
29	96001-06022-00	BOLT, FLANGE, 6X22	002	0	0
30	32171-GF9-621	LOCK, PURSE	001	0	0
31	17900-KRN-A00	CABLE ASSY., THROTTLE	001	0	0
32	90301-782-000	NUT, U, 6MM	001	0	0

CRF250R CRF250R9 2009 ED

F-2 FR. BRAKE MASTER CYLINDER

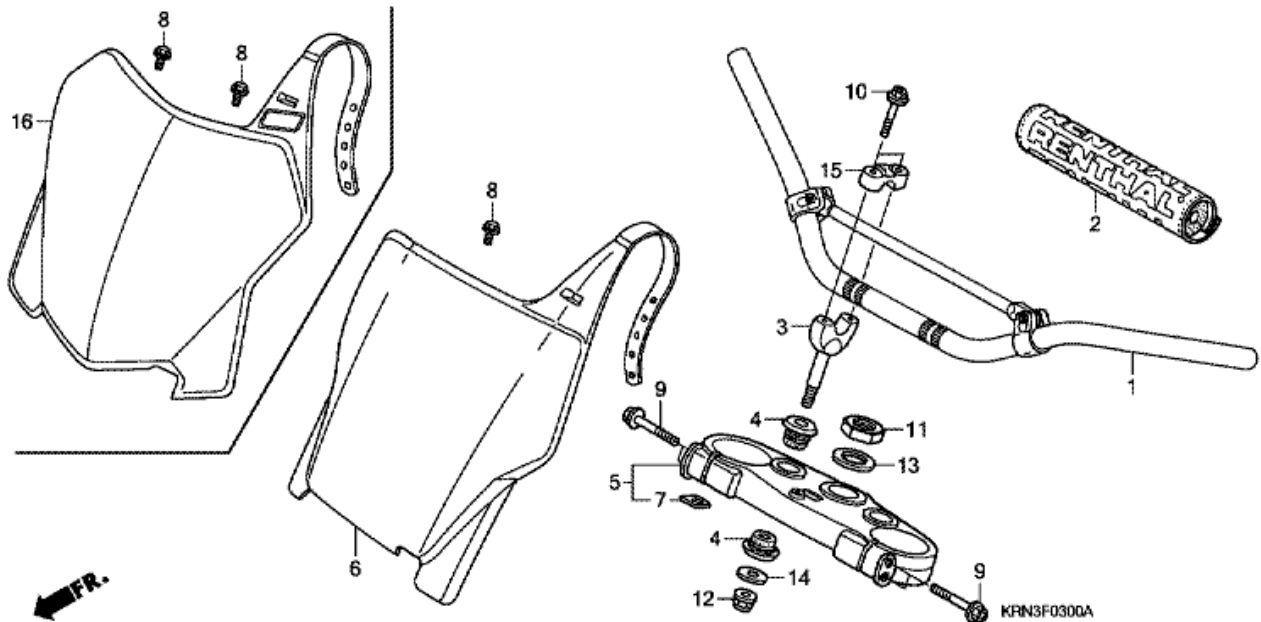


Refnr	Part Number	Description	Unit Qty	Order Qty	Repair Qty
1	45125-KRN-A31	HOSE COMP., FR. BRAKE	001	0	0
3	45510-MEN-J01	CYLINDER SUB ASSY., FR. MASTER	001	0	0
4	45513-KCE-671	CAP, MASTER CYLINDER	001	0	0
5	45517-GW0-751	HOLDER, MASTER CYLINDER	001	0	0
6	45518-MEN-J01	SEPARATOR COMP.	001	0	0
7	45520-KA3-731	DIAPHRAGM	001	0	0
8	45523-KA3-731	RING	001	0	0
9	45523-MEB-003	RING	001	0	0
10	45530-MEN-J01	PISTON SET, MASTER CYLINDER	001	0	0
12	53174-KN5-006	SPRING, BRAKE LEVER	001	0	0
13	53176-MEN-J01	COVER, R. HANDLE LEVER	001	0	0
14	90111-MEB-003	BOLT SET, ADJUSTING	001	0	0

15	90114-MEN-J01	BOLT, HANDLE LEVER	001	0	0
16	90145-MS9-612	BOLT, OIL, 10X22	002	0	0
17	90545-300-000	WASHER, OIL BOLT	004	0	0
18	90651-MA5-671	CIRCLIP	001	0	0
19	93600-04012-1G	SCREW, FLAT, 4X12	002	0	0
20	94050-06000	NUT, FLANGE, 6MM	001	0	0
21	96001-06022-00	BOLT, FLANGE, 6X22	002	0	0
22	45504-MEN-J01	BOOT COMP.	001	0	0
23	45525-MEN-J01	ROD, PUSH	001	0	0
24	53171-MEN-J01	LEVER COMP., R. STEERING HANDLE	001	0	0

CRF250R CRF250R9 2009 ED

F-3 HANDLE PIPE/TOP BRIDGE

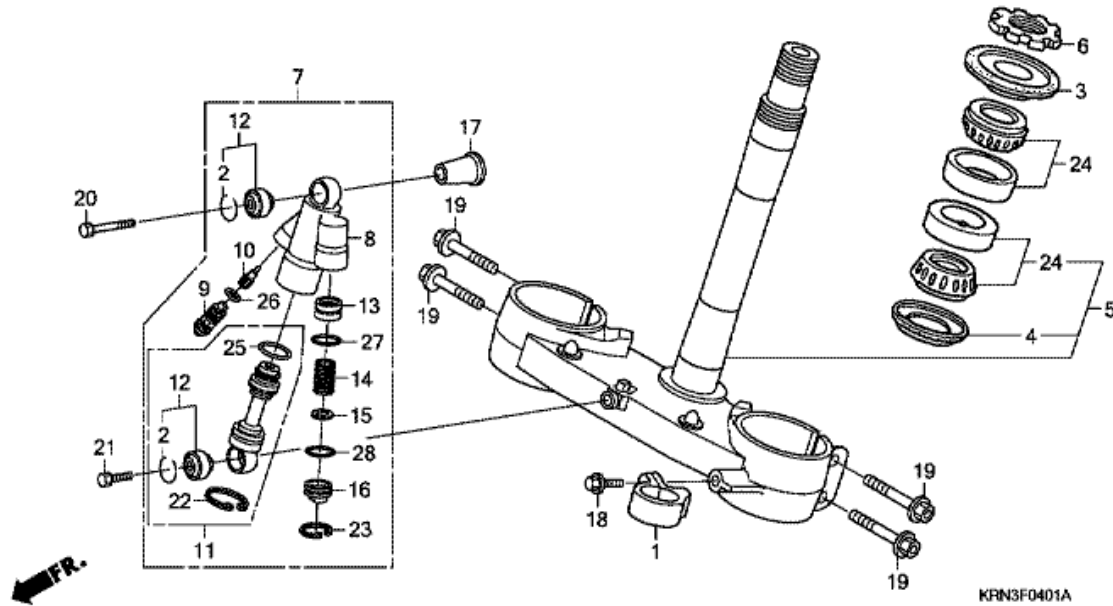


Refnr	Part Number	Description	Unit Qty	Order Qty	Repair Qty
1	53100-MEN-670	PIPE, STEERING HANDLE	001	0	0
2	53121-MEN-671	PROTECTOR, HANDLE	001	0	0
3	53132-KZ4-J20	HOLDER, HANDLE UNDER	002	0	0
3	53132-KA3-831	HOLDER, HANDLE UNDER	(2)	0	0
4	53133-KA3-832	CUSHION, HANDLE PIPE	004	0	0
5	53300-MEN-A10	BRIDGE COMP., FORK TOP	001	0	0
7	86150-KPG-901	EMBLEM, PRODUCT (MARUI)	001	0	0
8	90004-GHB-600	BOLT, FLANGE, 6X10 (NSHF)	002	0	0
9	90107-KZ4-J40	BOLT, FLANGE, 8X45	004	0	0
10	90124-KZ4-J40	BOLT, FLANGE, 8X35	004	0	0
11	90304-KZ4-J30	NUT, STEERING STEM	001	0	0
12	90306-KZ4-711	NUT, U, 10MM	002	0	0

13	90503-KZ4-J40	WASHER, STEERING STEM	001	0	0
14	90507-KA3-830	WASHER, PLAIN, 10MM	002	0	0
15	95014-22100	HOLDER B1, HANDLE PIPE UPPER	002	0	0
16	61140-MEN-A10ZB	PLATE SET, FR. NUMBER *NH196* (NH196 ROSS WHITE)	001	0	0

CRF250R CRF250R9 2009 ED

F-4-1 STEERING STEM (CRF250R8/9)/STEERING DAMPER

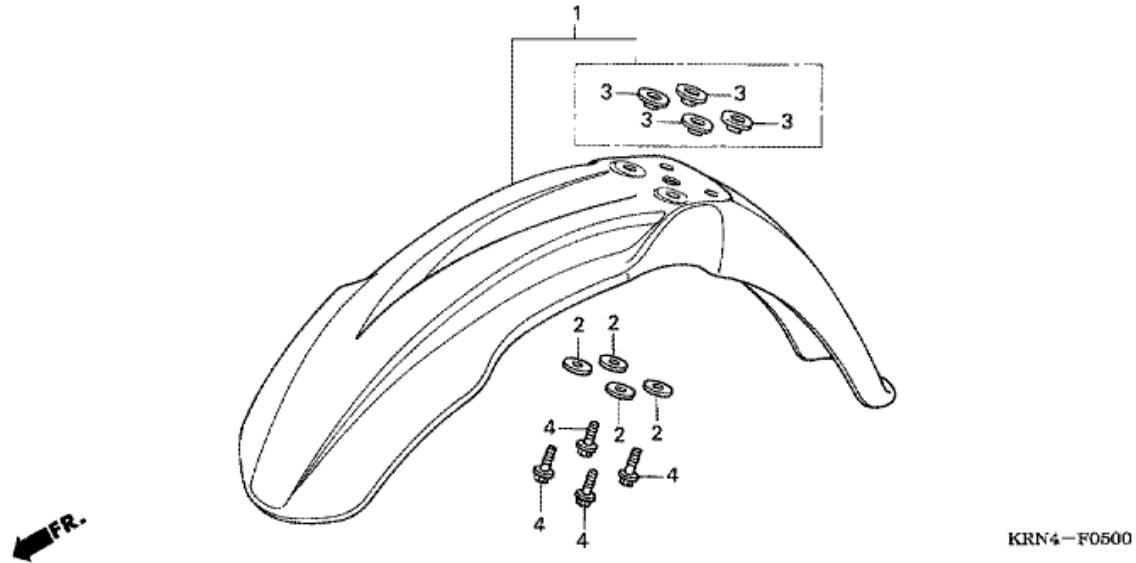


Refnr	Part Number	Description	Unit Qty	Order Qty	Repair Qty
1	45468-KS7-830	GUIDE, FR. BRAKE HOSE	001	0	0
2	52487-MEN-A11	RING, STOPPER	002	0	0
3	53214-KZ3-861	DUST SEAL, STEERING HEAD (ARAI)	001	0	0
4	53214-KZ4-701	DUST SEAL, STEERING HEAD (ARAI)	001	0	0
5	53219-KRN-A10	STEM SUB ASSY., STEERING	001	0	0
6	53229-KZ4-J30	THREAD, STEERING HEAD TOP	001	0	0
7	53700-KRN-A31	DAMPER ASSY., STEERING	001	0	0
8	53701-KRN-A31	CASE, DAMPER	001	0	0
9	53711-MEN-A11	BOLT COMP., PLUG	001	0	0
10	53712-MEN-A11	PIECE, ADJUST	001	0	0
11	53721-KRN-A31	ROD COMP., PISTON	001	0	0
12	53731-MEN-A11	BEARING COMP.	002	0	0

13	53754-MEN-A11	PISTON, FREE	001	0	0
14	53755-MEN-A11	SPRING, RETURN	001	0	0
15	53756-MEN-A11	WASHER	001	0	0
16	53757-MEN-A11	CAP, END	001	0	0
17	53782-MEN-A10	COLLAR, STEERING DAMPER	001	0	0
18	90106-MJ0-000	BOLT, FLANGE, 6X16	001	0	0
19	90107-KZ4-J40	BOLT, FLANGE, 8X45	004	0	0
20	90124-MEN-A10	BOLT, 7X51.5	001	0	0
21	90125-MEN-A10	BOLT, 7X25	001	0	0
22	90651-MEN-A11	CIRCLIP(23.5)	001	0	0
23	90652-MEN-A11	CIRCLIP(17.3)	001	0	0
24	91015-KZ4-701	BEARING, HEAD PIPE (NTN)	002	0	0
25	91258-KZ3-B01	O-RING, 18.8X1.9	001	0	0
26	91351-MEN-A11	O-RING, 9.5X1.5	001	0	0
27	91352-MEN-A11	O-RING, 11X1.9	001	0	0
28	91353-MEN-A11	O-RING, 13.5X1.5	001	0	0

CRF250R CRF250R9 2009 ED

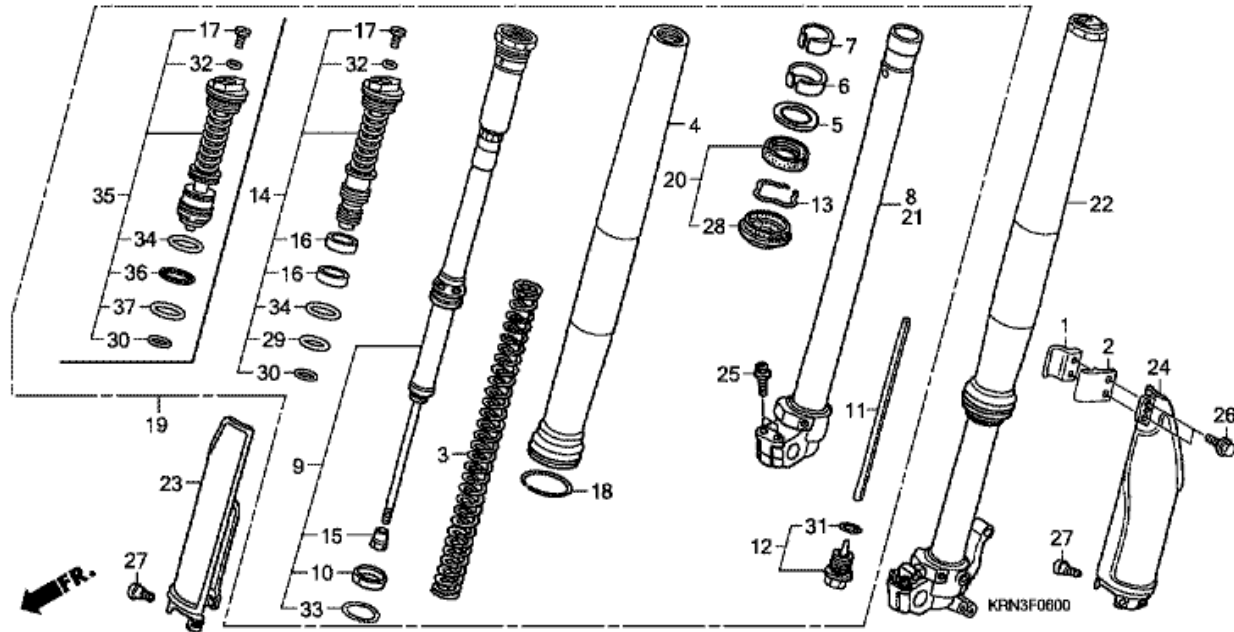
F-5 FRONT FENDER



Refnr	Part Number	Description	Unit Qty	Order Qty	Repair Qty
1	61110-MEN-670	FENDER SUB ASSY., FR.	001	0	0
1	61110-MEN-A20	FENDER SUB ASSY., FR.	001	0	0
2	90506-430-000	WASHER, FENDER MOUNTING	004	0	0
3	90512-KZ4-J20	COLLAR, FR. FENDER	004	0	0
4	96001-06016-00	BOLT, FLANGE, 6X16	004	0	0

CRF250R CRF250R9 2009 ED

F-6 FRONT FORK

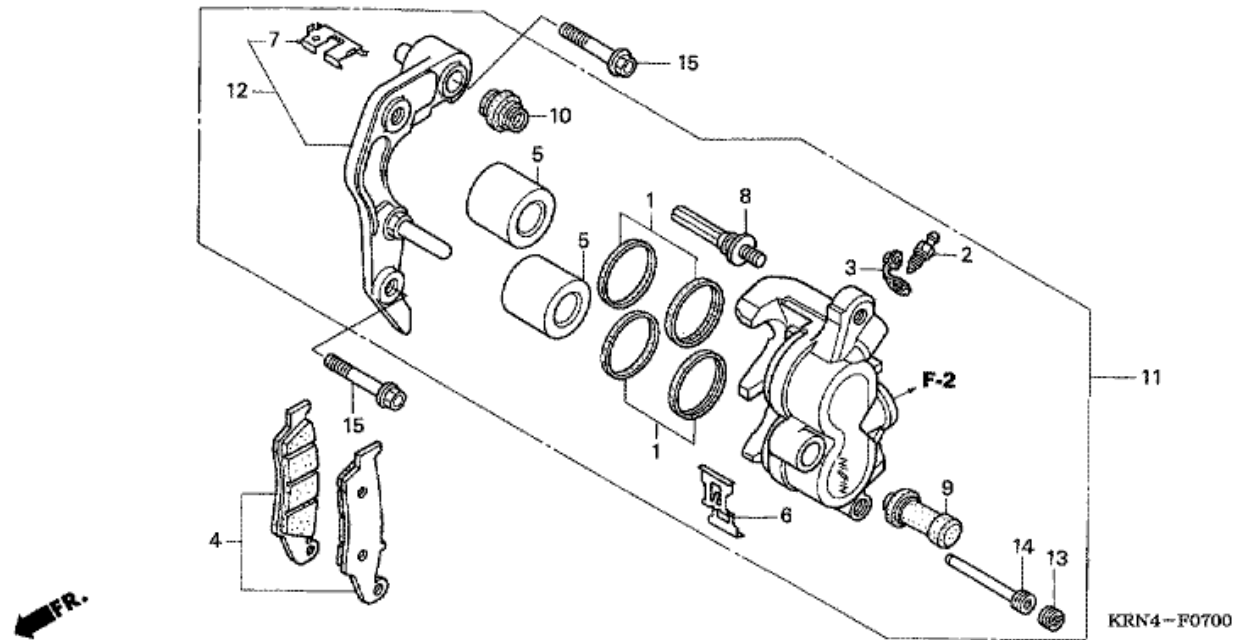


Refnr	Part Number	Description	Unit Qty	Order Qty	Repair Qty
1	45461-MEN-000	CLAMPER A, FR. BRAKE HOSE	001	0	0
2	45462-MEN-000	CLAMPER B, FR. BRAKE HOSE	001	0	0
3	51401-KRN-A11	SPRING, FR. FORK (SHOWA) (4.51N/MM,0.46KGF/MM)	002	0	0
3	51402-KRN-A11	SPRING, FR. FORK (SHOWA) (4.71N/MM,0.48KGF/MM)	(2)	0	0
3	51403-KRN-A11	SPRING, FR. FORK (SHOWA) (4.31N/MM,0.44KGF/MM)	(2)	0	0
4	51410-MEN-A11	TUBE, OUTER	002	0	0
5	51412-KRN-711	RING, BACK UP	002	0	0
6	51414-KRN-A31	BUSH, GUIDE	002	0	0
7	51415-KRN-A31	BUSH, SLIDER	002	0	0
8	51420-KRN-A31	PIPE COMP., R. SLIDE	001	0	0
9	51430-KRN-A31	DAMPER COMP., FR.	002	0	0
10	51431-KRN-A31	BUSH B, SLIDER	002	0	0

11	51437-MEN-A11	COLLAR, REBOUND NEEDLE	002	0	0
12	51440-KRN-711	BOLT COMP., CENTER	002	0	0
13	51447-KZ3-003	RING, OIL SEAL STOPPER	002	0	0
15	51451-MEN-A11	NUT, LOCK	002	0	0
17	51456-KZ3-J41	BOLT, PLUG	002	0	0
18	51476-MEY-003	RING, WEAR	002	0	0
19	51480-KRN-A31	FORK SUB ASSY., R. FR. (SHOWA)	001	0	0
20	51490-MEN-003	SEAL SET, FR. FORK	002	0	0
21	51520-KRN-A31	PIPE COMP., L. SLIDE	001	0	0
22	51580-KRN-A31	FORK SUB ASSY., L. FR. (SHOWA)	001	0	0
23	51610-MEN-000ZA	PROTECTOR, R. FR. FORK *TNATURAL * (TNATURAL NATURAL)	001	0	0
23	51610-MEN-A20	PROTECTOR, R. FR. FORK	001	0	0
24	51620-MEN-000ZA	PROTECTOR, L. FR. FORK *TNATURAL * (TNATURAL NATURAL)	001	0	0
24	51620-MEN-A20	PROTECTOR, L. FR. FORK	001	0	0
25	90108-KZ4-J40	BOLT, FLANGE, 8X40	004	0	0
26	90113-KZ3-000	BOLT, FLANGE, 6MM	002	0	0
27	90113-MAC-780	BOLT, PROTECTOR	006	0	0
28	91254-KZ3-J31	DUST SEAL	002	0	0
30	91257-MEB-751	O-RING, 27.7X1.9	002	0	0
31	91258-KZ3-B01	O-RING, 18.8X1.9	002	0	0
32	91301-KZ3-711	O-RING, 3.5X1.5	002	0	0
33	91356-KZ3-003	O-RING, 44.7X2.4	002	0	0
34	91356-MW0-003	O-RING, 37.2X2.4 (SHOWA)	002	0	0
35	51450-KRN-A31	BOLT ASSY., FR. FORK	002	0	0
36	51453-MEN-A11	RING, PISTON	002	0	0
37	91256-MEN-A11	O-RING, 27.6X1.8	002	0	0

CRF250R CRF250R9 2009 ED

F-7 FRONT BRAKE CALIPER

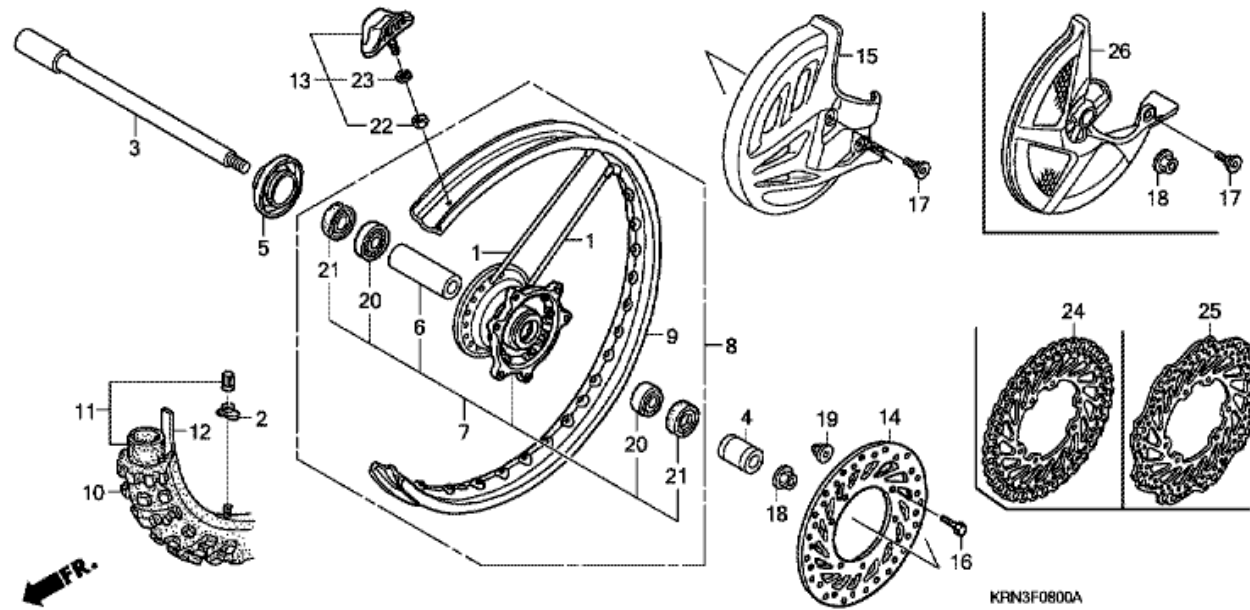


Refnr	Part Number	Description	Unit Qty	Order Qty	Repair Qty
1	06431-MA3-405	SEAL SET, PISTON	002	0	0
2	43352-568-003	SCREW, BLEEDER (NISSIN)	001	0	0
3	43353-461-771	CAP, BLEEDER	001	0	0
4	45105-MY6-415	PAD SET, FR.	001	0	0
5	45107-KZ4-J31	PISTON	002	0	0
6	45108-MY1-006	SPRING, PAD	001	0	0
7	45112-KS6-701	RETAINER	001	0	0
8	45131-HA5-672	BOLT A, PIN	001	0	0
9	45132-166-016	BOOT, PIN BUSH (NISSIN)	001	0	0
10	45133-MA3-006	BOOT B	001	0	0
11	45150-MEN-006	CALIPER SUB ASSY., L. FR. BRAKE (NISSIN)	001	0	0

12	45190-MEN-006	BRACKET SUB ASSY., L. FR. CALIPER	001	0	0
13	45203-MG3-016	PLUG, PIN	001	0	0
14	45215-HA5-672	PIN, HANGER	001	0	0
15	90110-KZ4-J40	BOLT, FLANGE, 8X40	002	0	0

CRF250R CRF250R9 2009 ED

F-8 FRONT WHEEL

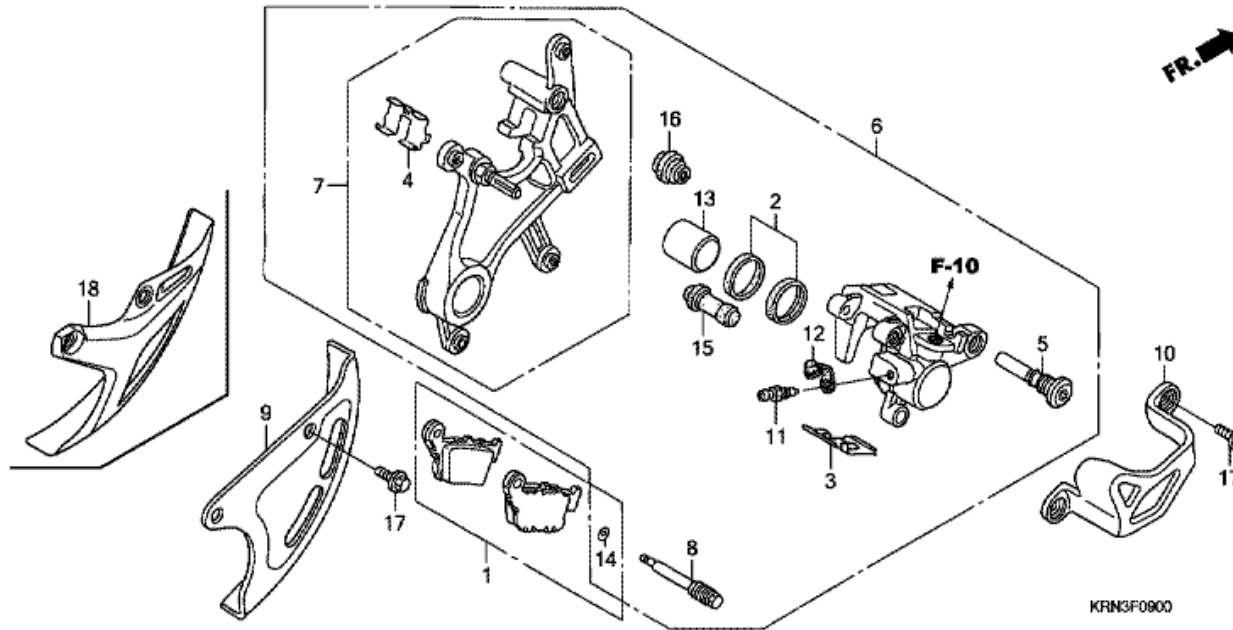


Refnr	Part Number	Description	Unit Qty	Order Qty	Repair Qty
1	06440-MEN-840	SPOKE SET, FR. (240MM)	036	0	0
2	42714-KA3-710	CAP, VALVE	001	0	0
3	44301-MEN-000	AXLE, FR. WHEEL	001	0	0
5	44312-KRN-A30	COLLAR COMP., R. FR. WHEEL	001	0	0
6	44620-KRN-A30	COLLAR, FR. WHEEL DISTANCE	001	0	0
7	44635-KRN-A30	HUB SUB ASSY., FR.	001	0	0
8	44650-KRN-A30	WHEEL SUB ASSY., FR.	001	0	0
8	44650-KRN-J30	WHEEL SUB ASSY., FR.	001	0	0
9	44701-MEN-A11	RIM, FR. WHEEL (21X1.60)	001	0	0
9	44701-MEN-A21	RIM, FR. WHEEL (21X1.60)	001	0	0
10	44711-KRN-E21	TIRE, FR. (PIRELLI) (80/100-21 M/C 51M MST)	001	0	0
11	44712-KRN-E21	TUBE, TIRE (PIRELLI)	001	0	0

12	44713-MEB-771	FLAP, TIRE (PIRELLI)	001	0	0
13	44715-MA0-770	STOPPER, BEAD (1.60)	001	0	0
16	90105-MAC-680	BOLT, DISK, 6X19	006	0	0
17	90114-MAC-780	BOLT, FR. DISK COVER	001	0	0
18	90301-KZ4-J40	NUT, FR. AXLE	001	0	0
19	90301-473-003	NUT, U, 6MM	006	0	0
20	91062-MAC-681	BEARING, RADIAL BALL, 6904	002	0	0
21	91201-KS6-004	OIL SEAL, 26X37X7 (ARAI)	002	0	0
22	94001-08000-0S	NUT, HEX., 8MM	001	0	0
23	94111-08000	WASHER, SPRING, 8MM	001	0	0
25	45351-KRN-A30	DISK, FR. BRAKE	001	0	0
26	51615-KRN-A30ZA	COVER COMP., FR. DISK *TNATURAL* (TNATURAL NATURAL)	001	0	0
26	51615-KRN-J30	COVER COMP., FR. DISK	001	0	0

CRF250R CRF250R9 2009 ED

F-9 REAR BRAKE CALIPER

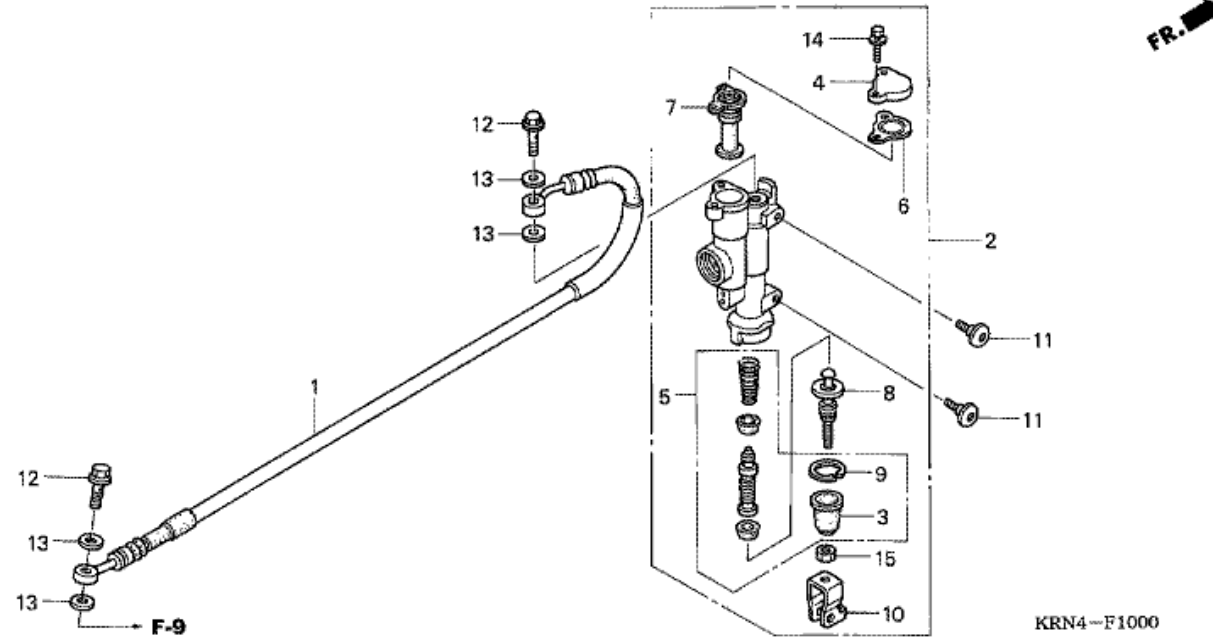


Refnr	Part Number	Description	Unit Qty	Order Qty	Repair Qty
1	06435-KRN-712	PAD SET, RR.	001	0	0
2	06451-MZ2-405	SEAL SET, PISTON	001	0	0
3	43108-KZ4-J41	SPRING, PAD	001	0	0
4	43112-KZ4-J41	RETAINER, BRACKET	001	0	0
5	43131-KW3-006	BOLT, PIN	001	0	0
6	43150-KRN-711	CALIPER SUB ASSY., RR. BRAKE (NISSIN)	001	0	0
7	43190-KRN-711	BRACKET SUB ASSY., RR.	001	0	0
8	43215-KZ4-J41	PIN, HANGER	001	0	0
10	43340-MEY-000ZA	GUARD, RR. CALIPER *TNATURAL * (TNATURAL NATURAL)	001	0	0
10	43340-MEN-A20	GUARD, RR. CALIPER	001	0	0
11	43352-568-003	SCREW, BLEEDER (NISSIN)	001	0	0
12	43353-461-771	CAP, BLEEDER	001	0	0

13	45107-MCT-006	PISTON (22 A)	001	0	0
14	45111-MAJ-G41	RING, STOPPER	001	0	0
15	45132-166-016	BOOT, PIN BUSH (NISSIN)	001	0	0
16	45133-MA3-006	BOOT B	001	0	0
17	90004-GHB-600	BOLT, FLANGE, 6X10 (NSHF)	004	0	0
18	43330-KRN-A30ZA	COVER, RR. DISK *TNATURAL* (TNATURAL NATURAL)	001	0	0
18	43330-KRN-J30	COVER, RR. DISK	001	0	0

CRF250R CRF250R9 2009 ED

F-10 RR. BRAKE MASTER CYLINDER



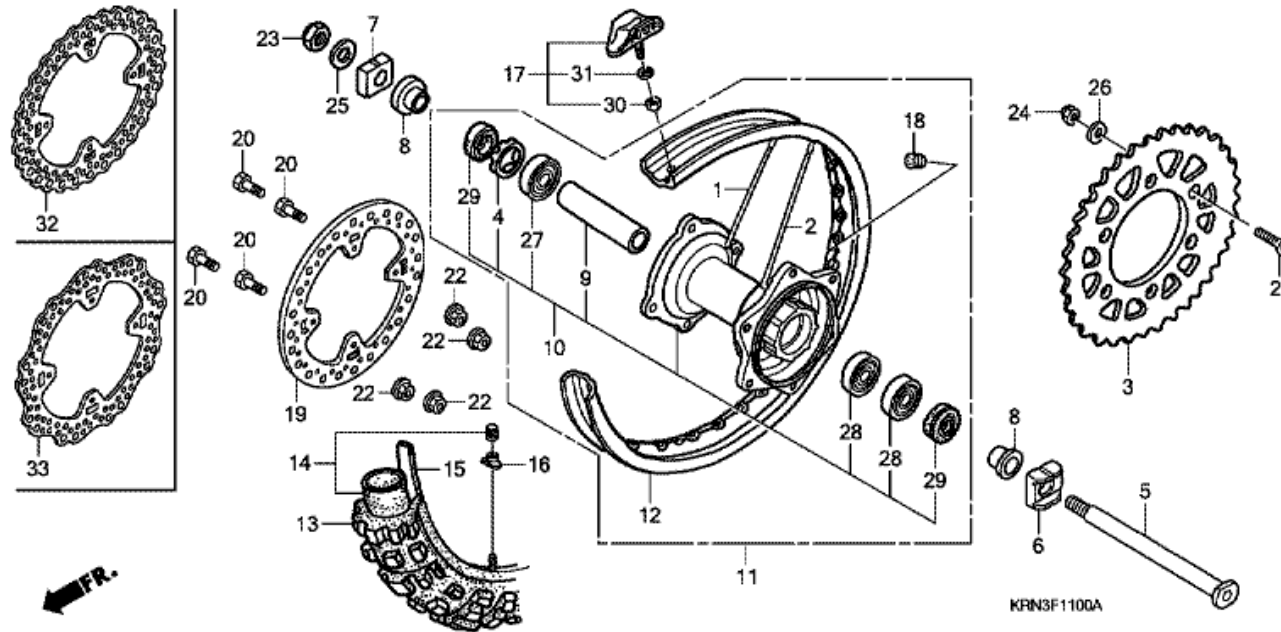
KRN4-F1000

Refnr	Part Number	Description	Unit Qty	Order Qty	Repair Qty
1	43310-KRN-A11	HOSE COMP., RR. BRAKE	001	0	0
2	43500-KZ4-J43	CYLINDER ASSY., RR. BRAKE MASTER (NISSIN)	001	0	0
3	43504-MB2-006	BOOT COMP.	001	0	0
4	43513-KZ4-J41	CAP, MASTER CYLINDER	001	0	0
5	43520-KZ4-J43	PISTON SET, MASTER CYLINDER	001	0	0
6	43521-KZ4-J41	PLATE, DIAPHRAGM	001	0	0
7	43522-KZ4-J41	DIAPHRAGM	001	0	0
8	43530-KZ4-J41	ROD COMP., PUSH	001	0	0
9	46182-MEL-D21	CIRCLIP	001	0	0
10	46504-KZ4-J41	JOINT, BRAKE ROD	001	0	0
11	90114-MAC-780	BOLT, FR. DISK COVER	002	0	0

12	90145-MS9-612	BOLT, OIL, 10X22	002	0	0
13	90545-300-000	WASHER, OIL BOLT	004	0	0
14	93401-04016-00	BOLT-WASHER, 4X16	002	0	0
15	94002-06000-0S	NUT, HEX., 6MM	001	0	0

CRF250R CRF250R9 2009 ED

F-11 REAR WHEEL

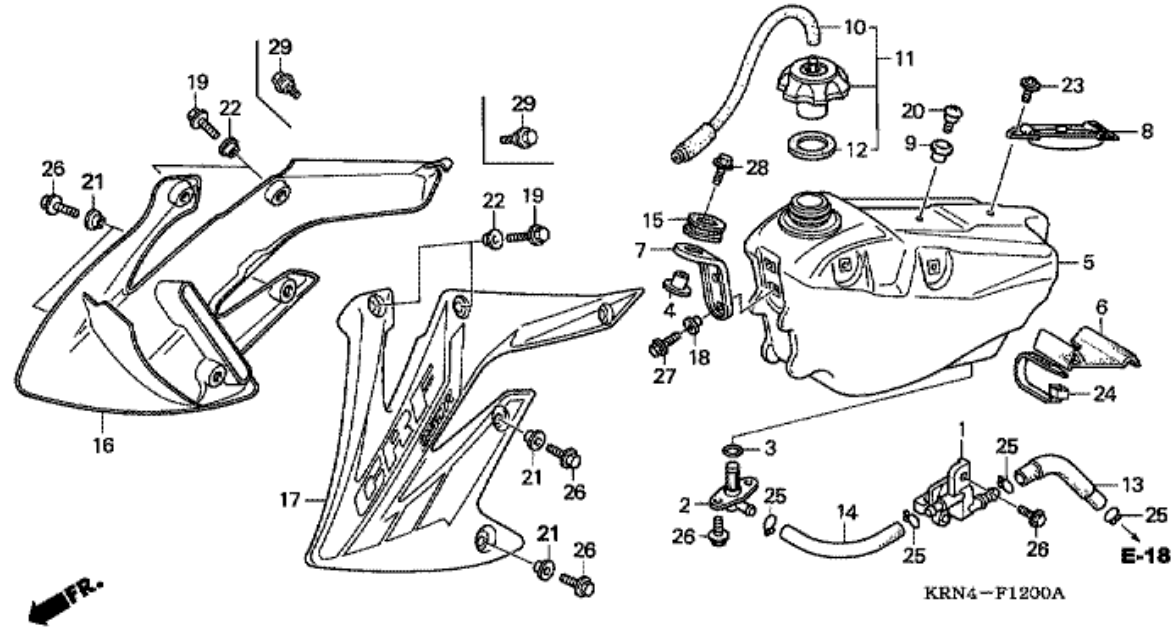


Refnr	Part Number	Description	Unit Qty	Order Qty	Repair Qty
1	06420-KRN-710	SPOKE SET, RR. (INSIDE)	016	0	0
2	06421-KRN-710	SPOKE SET, RR. (OUTSIDE)	016	0	0
3	41201-MEY-000	SPROCKET, FINAL DRIVEN (51T)	001	0	0
3	41203-KZ3-J20	SPROCKET, FINAL DRIVEN (50T)	(1)	0	0
3	41203-KZ4-J30	SPROCKET, FINAL DRIVEN (52T)	(1)	0	0
4	41231-KZ4-J20	RETAINER, RR. WHEEL BEARING	001	0	0
5	42301-KRN-A30	AXLE, RR. WHEEL	001	0	0
6	42305-KRN-A30	COLLAR, L. RR. AXLE	001	0	0
7	42306-KZ4-J20	COLLAR, R. RR. AXLE	001	0	0
8	42311-KRN-A30	COLLAR, RR. WHEEL SIDE	002	0	0
9	42620-KZ4-J20	COLLAR, RR. WHEEL DISTANCE	001	0	0
10	42635-KRN-710	HUB SUB ASSY., RR.	001	0	0

11	42650-KRN-A10	WHEEL SUB ASSY., RR.	001	0	0
11	42650-KRN-A20	WHEEL SUB ASSY., RR.	001	0	0
12	42701-KRN-A11	RIM, RR. WHEEL (19X1.85)	001	0	0
12	42701-KRN-A21	RIM, RR. WHEEL (19X1.85)	001	0	0
13	42711-KRN-E21	TIRE, RR. (PIRELLI) (100/90-19 57M NHS)	001	0	0
14	42712-KRN-E21	TUBE, TIRE (PIRELLI) (110/90-19)	001	0	0
15	42713-MEB-771	FLAP, TIRE (PIRELLI)	001	0	0
16	42714-KA3-710	CAP, VALVE	001	0	0
17	42715-KA2-680	STOPPER, BEAD (1.85)	001	0	0
18	42717-329-000	CAP, RIM HOLE	001	0	0
20	90105-MAC-680	BOLT, DISK, 6X19	004	0	0
21	90125-KA4-000	SCREW, FLAT, 8X31	006	0	0
22	90301-473-003	NUT, U, 6MM	004	0	0
23	90305-KZ4-J20	NUT, U, 22MM	001	0	0
24	90309-ML3-791	NUT, U, 8MM (FUSE RASHI)	006	0	0
25	90401-KZ4-J20	WASHER, 22X35X2	001	0	0
26	90465-MC4-000	WASHER, 8MM	006	0	0
27	91051-KZ4-J21	BEARING, RADIAL BALL, 69052RS	001	0	0
28	91052-KZ4-J21	BEARING, RADIAL BALL, 6905RS	002	0	0
29	91251-KZ4-J21	DUST SEAL, 32X43X7	002	0	0
30	94001-08000-0S	NUT, HEX., 8MM	001	0	0
31	94111-08000	WASHER, SPRING, 8MM	001	0	0
33	43351-KRN-A30	DISK, RR. BRAKE	001	0	0

CRF250R CRF250R9 2009 ED

F-12 FUEL TANK

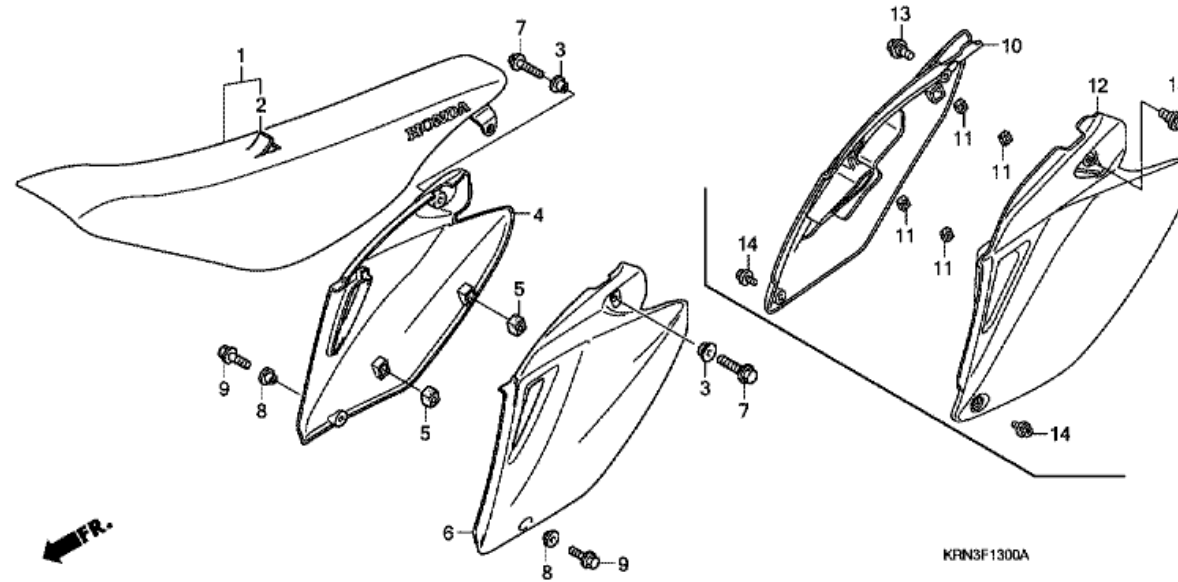


Refnr	Part Number	Description	Unit Qty	Order Qty	Repair Qty
1	16950-KRN-003	COCK ASSY., FUEL	001	0	0
2	16955-MEB-671	JOINT ASSY., FUEL	001	0	0
3	16997-467-000	O-RING, 11.8X3.55	001	0	0
4	17509-KZ3-B00	COLLAR, TANK SETTING	001	0	0
5	17510-KRN-730	TANK COMP., FUEL	001	0	0
6	17512-KRN-010	RUBBER, FUEL TANK MOUNTING	001	0	0
7	17515-KRN-000	STAY, FR. TANK	001	0	0
8	17516-KZ3-B00	BAND, TANK RR.	001	0	0
9	17518-KZ4-710	COLLAR, SEAT FR.	001	0	0
10	17521-KZ4-J20	TUBE COMP., FUEL CAP BREATHER	001	0	0
11	17620-MEB-670	CAP ASSY., FUEL TANK	001	0	0
12	17624-KT1-780	PACKING, FUEL CAP	001	0	0

13	17681-KRN-000	TUBE B, FUEL	001	0	0
14	17684-KRN-000	TUBE A, FUEL	001	0	0
15	18334-ML3-680	RUBBER, SILENCER	001	0	0
16	19071-KRN-A20ZA	SHROUD SET, R. RADIATOR (WL) *TYPE1* (TYPE1)	001	0	0
16	19071-KRN-A30ZA	SHROUD SET, R. RADIATOR (WL) *TYPE1* (TYPE1)	001	0	0
17	19072-KRN-A20ZA	SHROUD SET, L. RADIATOR (WL) *TYPE1* (TYPE1)	001	0	0
17	19072-KRN-A30ZA	SHROUD SET, L. RADIATOR (WL) *TYPE1* (TYPE1)	001	0	0
18	84706-415-000	COLLAR	002	0	0
20	91422-MT8-770	SCREW, SPECIAL, 5MM	001	0	0
21	90501-KZ4-J20	COLLAR A	004	0	0
23	90108-MN0-000	SCREW, PAN, 5X13	001	0	0
24	91560-MS8-600	TY-RAP, CABLE	001	0	0
25	95002-02120	CLIP, TUBE (B12)	004	0	0
26	96001-06016-00	BOLT, FLANGE, 6X16	007	0	0
27	96001-06016-00	BOLT, FLANGE, 6X16	002	0	0
28	96001-06030-00	BOLT, FLANGE, 6X30	001	0	0
29	90101-KRN-730	BOLT, SPECIAL, 5X9	004	0	0

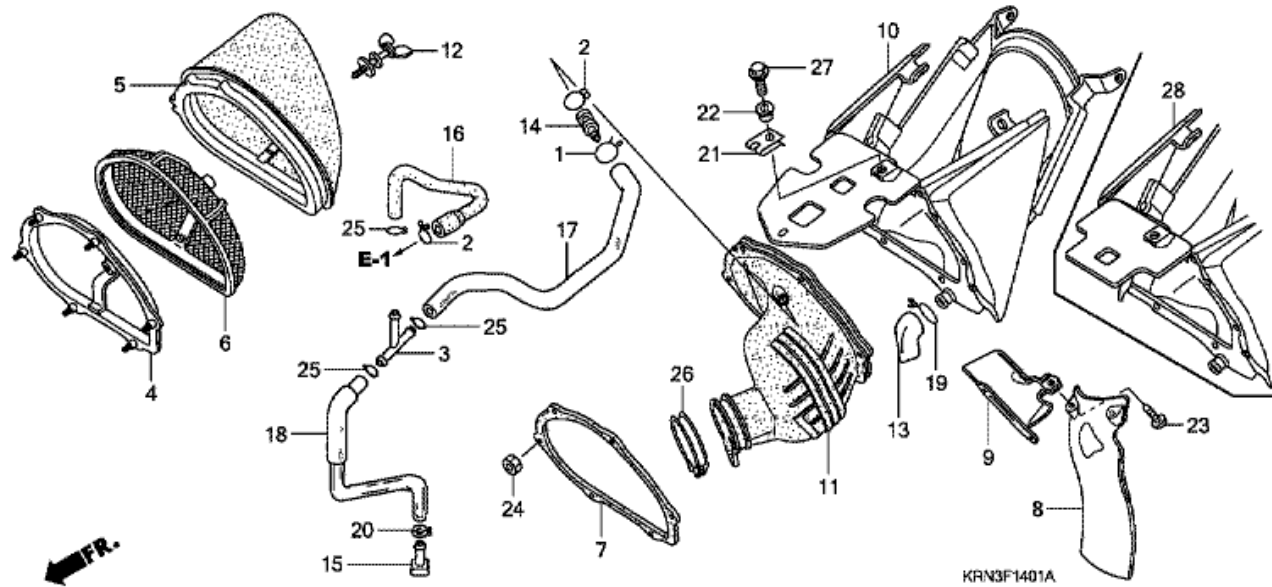
CRF250R CRF250R9 2009 ED

F-13 SEAT/SIDE COVER



Refnr	Part Number	Description	Unit Qty	Order Qty	Repair Qty
1	77100-KRN-A20	SEAT COMP.	001	0	0
1	77100-KRN-A30	SEAT COMP.	001	0	0
2	77101-KRN-A20	LEATHER COMP., SEAT (NO LETTERS PRINTED)	001	0	0
2	77101-KRN-A30	LEATHER COMP., SEAT (NO LETTERS PRINTED)	001	0	0
10	83510-KRN-A30	COVER, R. SIDE	001	0	0
10	83510-KRN-A20	COVER, R. SIDE	001	0	0
11	83515-KZ3-700	RUBBER, SIDE COVER STOPPER	004	0	0
12	83610-KRN-A20	COVER, L. SIDE	001	0	0
12	83610-KRN-A30	COVER, L. SIDE	001	0	0
13	90102-MEN-710	BOLT, SPECIAL, 8MM	002	0	0
14	90103-MEN-710	BOLT, SPECIAL, 6MM	002	0	0

CRF250R CRF250R9 2009 ED
F-14-1 AIR CLEANER (CRF250R6/7/8/9)

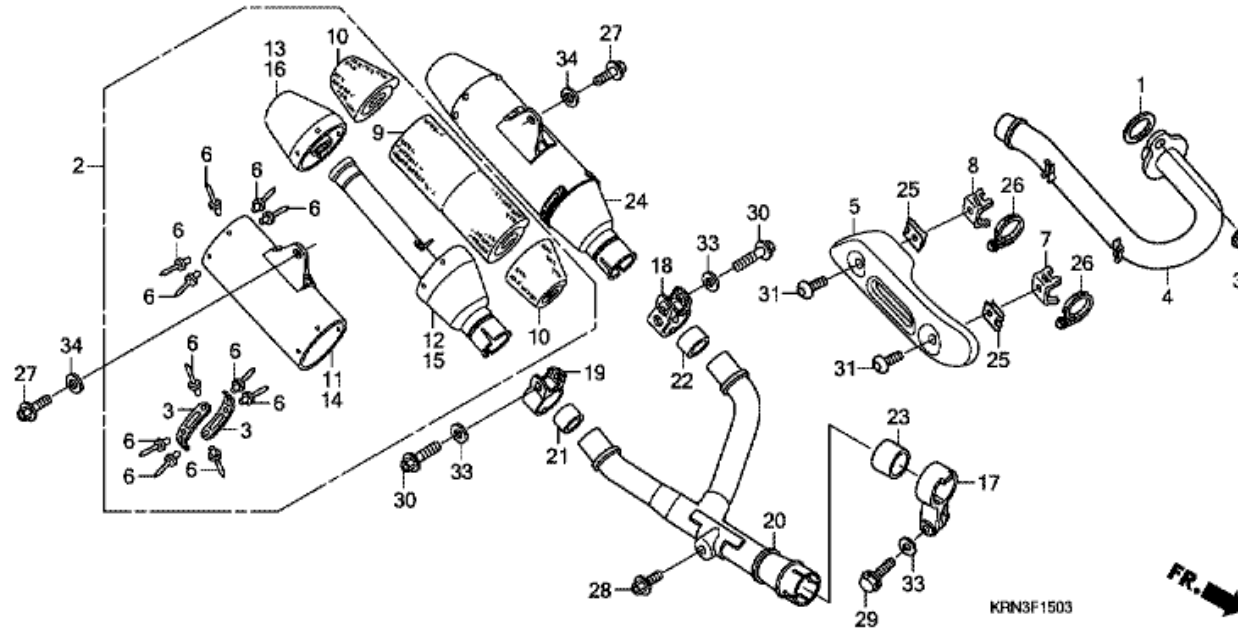


Refnr	Part Number	Description	Unit Qty	Order Qty	Repair Qty
1	15707-634-000	CLIP, OIL DRAIN TUBE	001	0	0
2	15771-551-000	CLIP, OIL DRAIN TUBE	002	0	0
3	16959-MY1-000	JOINT, FUEL TUBE	001	0	0
4	17212-MEN-670	STAY, AIR CLEANER ELEMENT	001	0	0
5	17213-KRN-850	ELEMENT, AIR CLEANER	001	0	0
6	17214-MEN-670	BASE ASSY., ELEMENT	001	0	0
7	17217-MEB-770	PLATE, AIR CLEANER CASE FR.	001	0	0
8	17218-KRN-A20	MUDGUARD, AIR CLEANER CASE	001	0	0
9	17230-KRN-850	GUARD, HEAT	001	0	0
11	17253-KRN-850	TUBE, AIR CLEANER CONNECTING	001	0	0
12	17291-MEB-670	BOLT, AIR CLEANER ELEMENT SETTING	001	0	0
13	17358-KRN-000	TUBE, DRAIN	001	0	0

14	17359-MAG-L00	JOINT, BREATHER TUBE	001	0	0
15	17370-419-700	PLUG, BREATHER TUBE	001	0	0
16	17372-KRN-000	TUBE A, BREATHER	001	0	0
17	17374-KRN-000	TUBE B, BREATHER	001	0	0
18	17375-KRN-A10	TUBE C, BREATHER	001	0	0
19	17724-102-700	CLIP, SUB TANK HOSE	001	0	0
20	43514-KS6-701	CLAMP, MASTER CYLINDER OIL HOSE	001	0	0
21	90305-GK8-000	NUT, CLIP, 6MM	001	0	0
22	90501-KRN-000	COLLAR, AIR CLEANER	001	0	0
23	93913-15510	SCREW, TAPPING, 5X20	002	0	0
24	94002-05000-0S	NUT, HEX., 5MM	006	0	0
25	95002-02120	CLIP, TUBE (B12)	003	0	0
26	95018-60321	BAND, AIR CLEANER CONNECTING TUBE (60)	001	0	0
27	96001-06016-00	BOLT, FLANGE, 6X16	001	0	0
28	17250-KRN-A10	CASE COMP., AIR CLEANER	001	0	0
28	17250-KRN-A30	CASE COMP., AIR CLEANER	001	0	0

CRF250R CRF250R9 2009 ED

F-15-3 EXHAUST MUFFLER (CRF250R7/8/9)

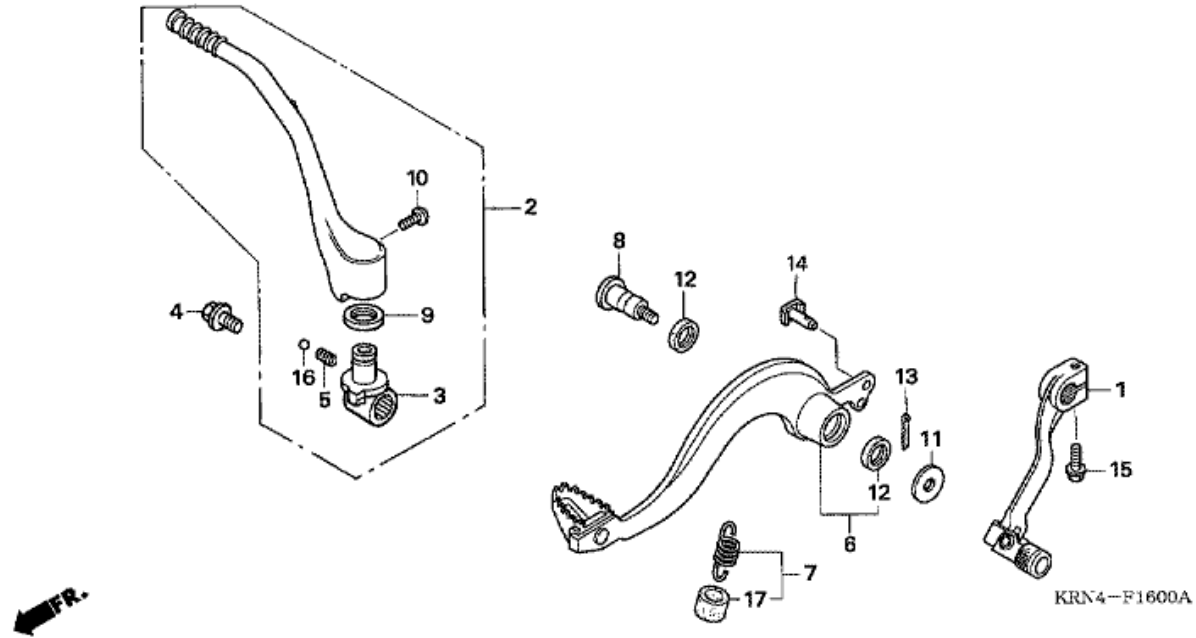


Refnr	Part Number	Description	Unit Qty	Order Qty	Repair Qty
1	18291-MM5-860	GASKET, EX. PIPE	001	0	0
2	18310-KRN-E10	MUFFLER COMP., R. (94DB)	001	0	0
3	18317-KRN-E10	BAND, MUFFLER BODY	004	0	0
4	18320-KRN-A10	PIPE COMP., EX.	001	0	0
5	18323-KSC-A30	PROTECTOR, EX. PIPE	001	0	0
6	18326-KRN-A00	RIVET, BLIND, 3.2	024	0	0
7	18327-KRN-730	STAY, EX. PIPE PROTECTOR	001	0	0
8	18328-KRN-A00	STAY, RR. EX. PIPE PROTECTOR	001	0	0
9	18336-KRN-E10	PACK A, GLASS WOOL	002	0	0
10	18337-KRN-A10	PACK B, GLASS WOOL	004	0	0
11	18350-KRN-E10	BODY COMP., R. MUFFLER	001	0	0
12	18351-KRN-E10	MUFFLER COMP., R. FR.	001	0	0

13	18352-KRN-E10	MUFFLER COMP., R. RR. (94DB)	001	0	0
14	18353-KRN-E10	BODY COMP., L. MUFFLER	001	0	0
15	18354-KRN-E10	MUFFLER COMP., L. FR.	001	0	0
16	18355-KRN-E10	MUFFLER COMP., L. RR. (94DB)	001	0	0
17	18374-MG7-701	BAND, L. MUFFLER	001	0	0
18	18374-ML0-000	BAND, L. EX. PIPE	001	0	0
19	18374-ML4-003	BAND, L. EX. PIPE	001	0	0
20	18380-KRN-E10	PIPE, COMP., EX. JOINT	001	0	0
21	18391-ML8-000	PACKING, MUFFLER	001	0	0
22	18392-HA7-710	PACKING, EX.	001	0	0
23	18392-MK4-000	PACKING, MUFFLER	001	0	0
24	18410-KRN-E10	MUFFLER COMP., L. (94DB)	001	0	0
25	19508-KA3-710	NUT, SPRING, 6MM	002	0	0
26	19509-MM5-003	CLAMPER, RADIATOR HOSE	002	0	0
27	90101-KZ3-J50	BOLT, FLANGE, 8X24	002	0	0
28	90123-MEN-730	BOLT, 8X18	001	0	0
29	90124-KZ4-J40	BOLT, FLANGE, 8X35	001	0	0
30	90124-MEB-770	BOLT, FLANGE, 8X32	002	0	0
31	90170-MEB-670	BOLT, SPECIAL, 6MM	002	0	0
32	94050-08000	NUT, FLANGE, 8MM	002	0	0
33	94102-08800	WASHER, PLAIN, 8MM	003	0	0
34	94103-08000	WASHER, PLAIN, 8MM	002	0	0

CRF250R CRF250R9 2009 ED

F-16 PEDAL/KICK STARTER ARM

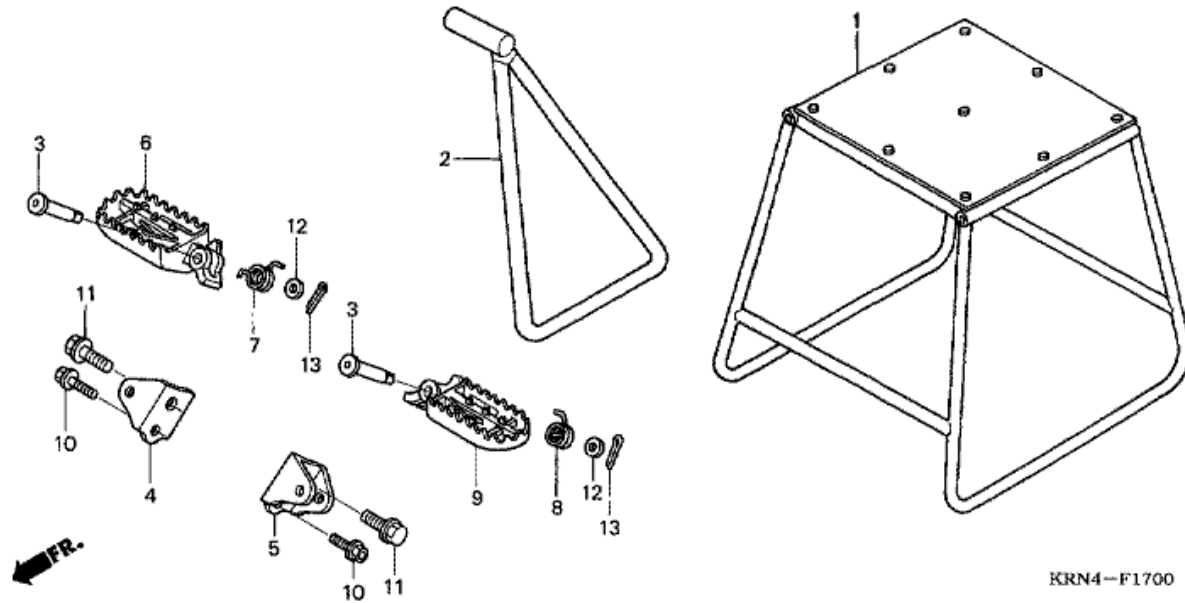


Refnr	Part Number	Description	Unit Qty	Order Qty	Repair Qty
1	24700-KRN-000	PEDAL COMP., CHANGE	001	0	0
2	28300-KRN-000	ARM ASSY., KICK STARTER	001	0	0
3	28302-KRN-000	JOINT, KICK ARM	001	0	0
4	28306-MEN-670	BOLT, KICK JOINT	001	0	0
5	28333-KK0-000	SPRING, KICK STARTER	001	0	0
6	46510-KRN-000	PEDAL, RR. BRAKE	001	0	0
7	46511-KZ4-J00	SPRING ASSY., RR. BRAKE RETURN	001	0	0
8	46513-KRN-730	SHAFT, BRAKE PIVOT	001	0	0
9	46525-KK0-003	DUST SEAL, 17X20X2.5	001	0	0
10	90103-KRN-000	BOLT, KICK ARM	001	0	0
11	90512-KRN-730	WASHER, 26X10.5	001	0	0
12	91251-444-000	DUST SEAL, 15X20X2.5	002	0	0

13	94201-20120	PIN, SPLIT, 2.0X12	001	0	0
14	95015-54000	PIN D, JOINT	001	0	0
15	96001-06022-00	BOLT, FLANGE, 6X22	001	0	0
16	96211-08000	BALL, STEEL, #8 (1/4)	001	0	0
17	46515-MN1-670	TUBE, BRAKE PEDAL SPRING	001	0	0

CRF250R CRF250R9 2009 ED

F-17 STAND/STEP



KRN4-F1700

Refnr	Part Number	Description	Unit Qty	Order Qty	Repair Qty
1	50500-KA3-820	STAND COMP., MAIN	(1)	0	0
2	50530-KZ4-J40	BAR, SIDE STAND	001	0	0
3	50603-KZ4-J40	PIN, STEP JOINT	002	0	0
4	50610-MEN-671	BRACKET, R. STEP	001	0	0
5	50611-MEN-671	BRACKET, L. STEP	001	0	0
6	50616-MEN-670	ARM, R. STEP	001	0	0
7	50617-KZ4-J40	SPRING, R. STEP RETURN	001	0	0
8	50618-KZ4-J40	SPRING, L. STEP RETURN	001	0	0
9	50642-MEN-670	ARM, L. STEP	001	0	0
10	90101-KZ3-J50	BOLT, FLANGE, 8X24	002	0	0
11	90101-KZ4-J40	BOLT, STEP, 12MM	002	0	0
12	94102-08800	WASHER, PLAIN, 8MM	002	0	0

13

94201-25150

PIN, SPLIT, 2.5X15

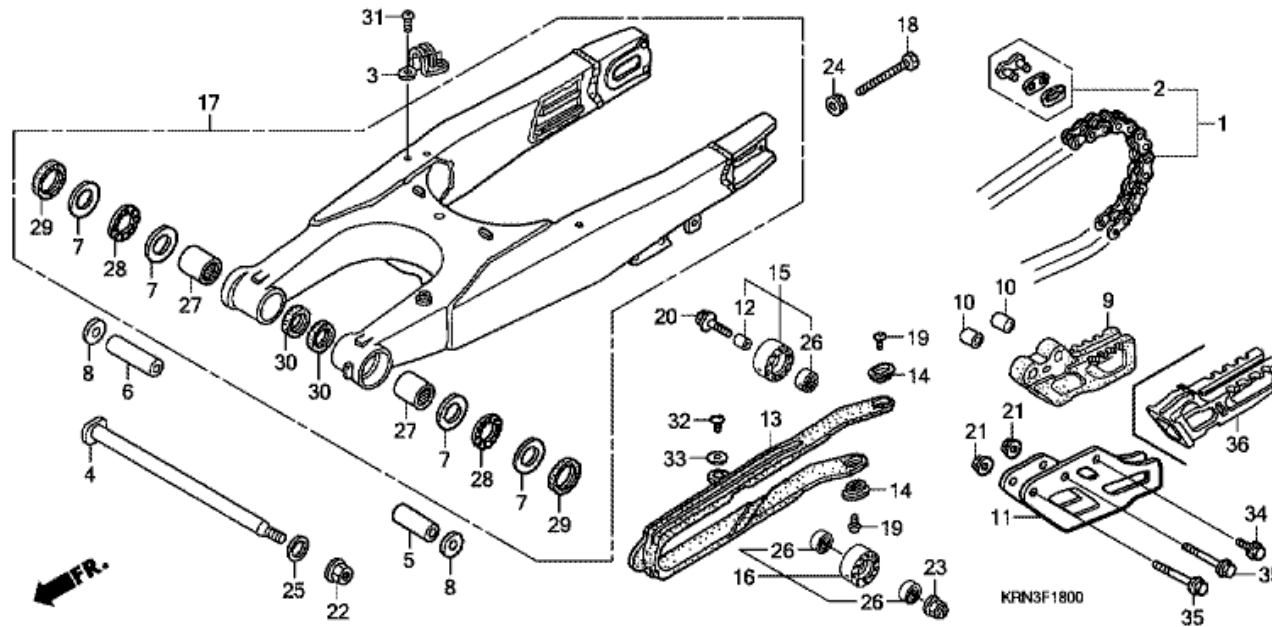
002

0

0

CRF250R CRF250R9 2009 ED

F-18 SWINGARM

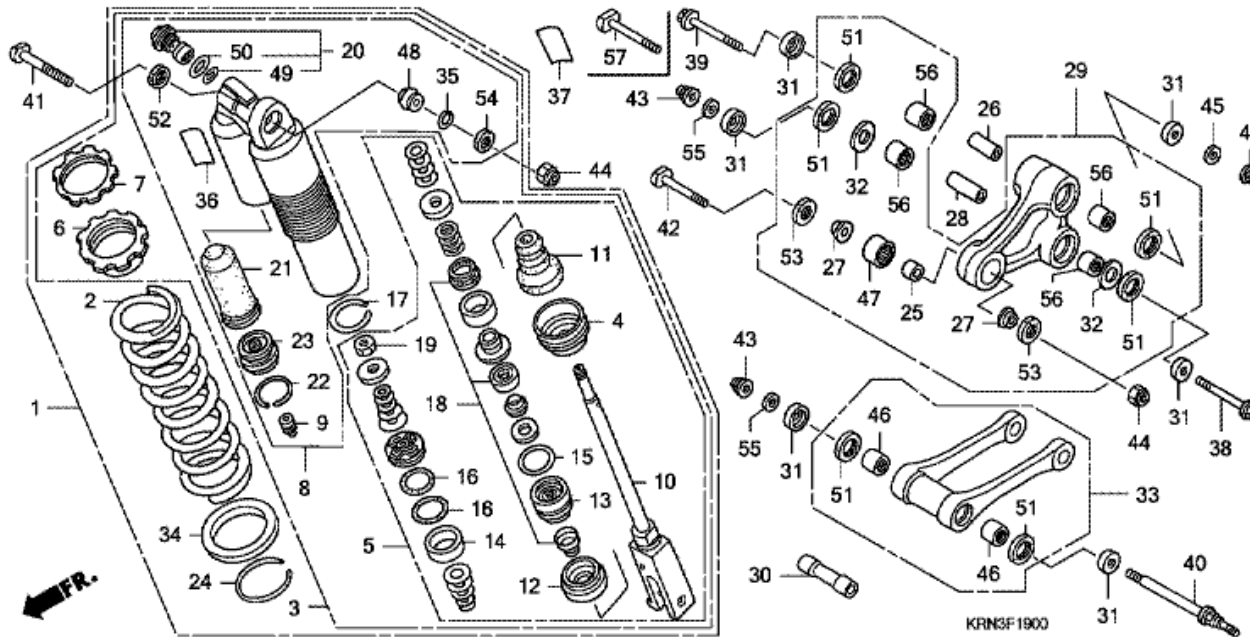


Refnr	Part Number	Description	Unit Qty	Order Qty	Repair Qty
1	40530-KRN-A12	CHAIN, DRIVE (RK EXCEL) (RK520TXZ-114RJ) (STANDARD LINK 114L)	001	0	0
1	40530-KRN-A31	CHAIN, DRIVE (DAIDO) (DID520DMA4-114RB) (STANDARD LINK 114L)	001	0	0
1	40540-KRN-A31	CHAIN, DRIVE (DAIDO) (DID520DMA4-120RB) (STANDARD LINK 114L)	(1)	0	0
1	40540-KRN-A32	CHAIN, DRIVE (RK EXCEL) (RK520TXZ-120RJ) (STANDARD LINK 114L)	(1)	0	0
2	40531-KRN-A12	JOINT, DRIVE CHAIN (RK EXCEL)	001	0	0
2	40531-KRN-A31	JOINT, DRIVE CHAIN (DAIDO)	001	0	0
3	43468-KZ3-B00	GUIDE, RR. BRAKE HOSE	001	0	0
4	52101-KZ4-J40	SHAFT, SWINGARM PIVOT	001	0	0

5	52141-KZ3-J40	COLLAR, SWINGARM, 49MM	001	0	0
6	52141-KZ4-J40	COLLAR, SWINGARM PIVOT (59MM)	001	0	0
7	52143-KZ3-860	WASHER, SWINGARM SIDE	004	0	0
8	52143-KZ4-J40	COLLAR, SWINGARM PIVOT SIDE	002	0	0
11	52147-MEN-J00	PLATE, CHAIN GUIDE	001	0	0
12	52160-MEN-000	COLLAR, CHAIN TENSIONER	001	0	0
13	52170-KRN-710	SLIDER, CHAIN	001	0	0
14	52171-KR6-000	WASHER, CHAIN SLIDER	002	0	0
15	52175-KRN-A30	ROLLER COMP., CHAIN (42MM)	001	0	0
16	52176-KRN-A30	ROLLER COMP., CHAIN LOWER (34MM)	001	0	0
17	52200-KRN-A10	SWINGARM SUB ASSY., RR.	001	0	0
18	90105-MEN-000	BOLT, HEX., 8X47.5	002	0	0
19	90115-KV3-700	SCREW, PAN, 5X8	002	0	0
20	90124-MEB-770	BOLT, FLANGE, 8X32	001	0	0
21	90301-473-003	NUT, U, 6MM	002	0	0
22	90305-KZ3-B01	NUT, U, HEX. 14MM	001	0	0
23	90301-473-003	NUT, U, 6MM	001	0	0
24	90309-357-000	NUT, HEX., 8MM	002	0	0
25	90501-GBL-730	WASHER, 14MM	001	0	0
26	91051-KRN-A31	BEARING, RADIAL BALL, 608UU	003	0	0
27	91071-MJ0-003	BEARING, NEEDLE, 22X29X30 (NTN)	002	0	0
28	91072-KZ3-861	BEARING, NEEDLE THRUST	002	0	0
29	91253-KZ3-861	DUST SEAL, 30X37X4	002	0	0
30	91283-ML7-003	DUST SEAL, 22X29X4 (ARAI)	002	0	0
31	93500-05008-0A	SCREW, PAN, 5X8	002	0	0
32	93500-05008-0G	SCREW, PAN, 5X8	001	0	0
33	94103-05700	WASHER, PLAIN, 5MM	001	0	0
34	96001-06012-00	BOLT, FLANGE, 6X12	001	0	0
35	96001-06045-00	BOLT, FLANGE, 6X45	002	0	0
36	52146-MEN-J00	GUIDE, CHAIN	001	0	0

CRF250R CRF250R9 2009 ED

F-19 REAR CUSHION



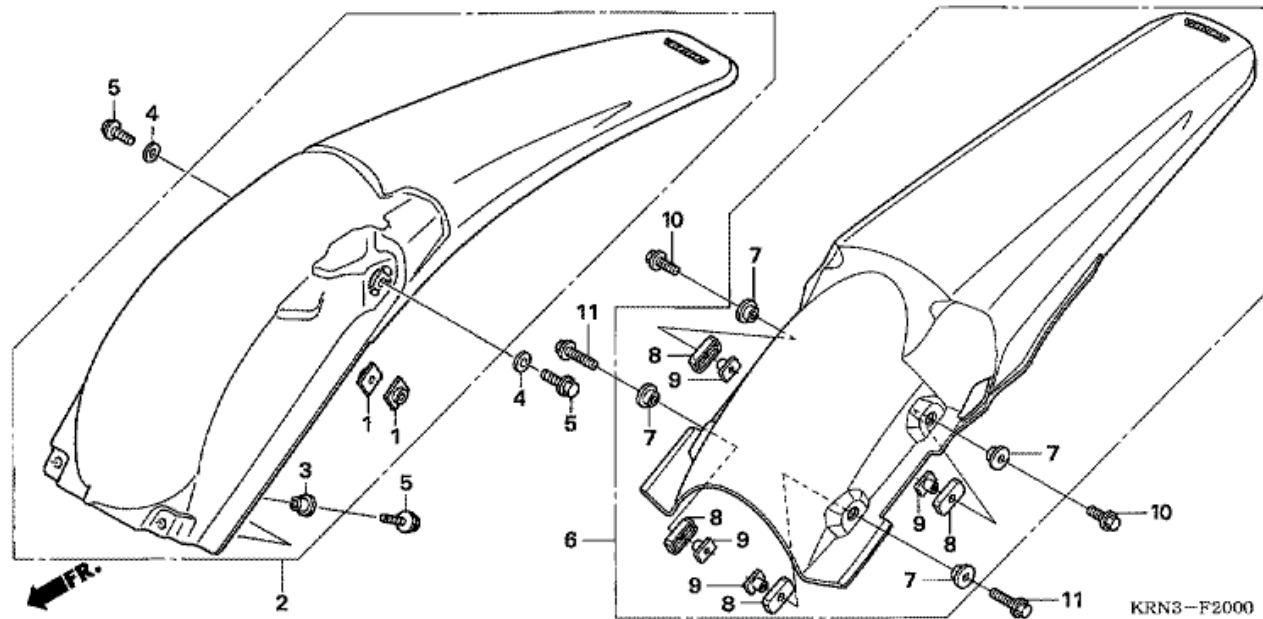
Refnr	Part Number	Description	Unit Qty	Order Qty	Repair Qty
1	52400-KRN-A31	CUSHION ASSY., RR. (SHOWA)	001	0	0
2	52403-MEN-A21	SPRING, RR. CUSHION (SHOWA) (52.0N/MM,5.3KGF/MM)	001	0	0
2	52403-MEB-751	SPRING, RR. CUSHION (SHOWA) (55.9N/MM,5.7KGF/MM)	(1)	0	0
2	52401-MEN-A21	SPRING, RR. CUSHION (SHOWA) (53.9N/MM,5.5KGF/MM)	(1)	0	0
2	52403-KRN-A21	SPRING, RR. CUSHION (SHOWA) (50.0N/MM,5.1KGF/MM)	(1)	0	0
3	52410-KRN-A31	DAMPER COMP., RR.	001	0	0
4	52419-KZ3-J21	STOPPER, SPRING SEAT	001	0	0
5	52421-KRN-A31	ROD COMP., PISTON	001	0	0
6	52422-KZ3-J31	ADJUSTER, SPRING	001	0	0
7	52423-KZ3-J21	NUT, ADJUSTER	001	0	0
8	52425-KRN-A31	CASE COMP., DAMPER	001	0	0
9	52425-381-771	CAP, AIR VALVE	001	0	0

10	52426-KRN-A31	ROD COMP.	001	0	0
11	52427-MEB-751	RUBBER, STOPPER	001	0	0
12	52428-KRN-711	PLATE, END	001	0	0
13	52429-KRN-A31	CASE COMP., ROD GUIDE	001	0	0
14	52431-KZ3-J31	RING, PISTON	001	0	0
15	52434-KZ3-J21	O-RING, 3.5X43.7	001	0	0
16	52434-KZ3-J31	O-RING, 42.5X2.0	002	0	0
17	52435-KZ3-J21	RING, STOPPER	001	0	0
18	52436-MEN-671	OIL SEAL SET	001	0	0
19	52438-KA4-741	NUT, HEX., 12MM	001	0	0
20	52440-KRN-A31	ADJUSTER, COMPRESSION DAMPING FORCE	001	0	0
21	52451-KRN-711	BLADDER	001	0	0
22	52452-KS7-831	RING, STOPPER	001	0	0
23	52453-KRN-711	CAP COMP., CHAMBER	001	0	0
24	52455-KZ3-J21	RING, STOPPER	001	0	0
25	52464-KRN-710	COLLAR D, CUSHION ARM	001	0	0
26	52463-KZ4-J40	COLLAR C, CUSHION ARM	001	0	0
27	52466-KRN-710	COLLAR D, CUSHION ARM SIDE	002	0	0
28	52464-KZ4-J20	COLLAR B, CUSHION	001	0	0
29	52465-KRN-710	ARM SUB ASSY., CUSHION	001	0	0
30	52473-KZ4-J20	COLLAR A, CONNECTING ROD	001	0	0
31	52475-KZ4-J20	COLLAR, LINK SIDE	006	0	0
32	52476-KZ4-J20	WASHER, THRUST	002	0	0
33	52479-KRN-840	ROD SUB ASSY., CUSHION CONNECTING	001	0	0
34	52486-KZ3-J21	SEAT, SPRING	001	0	0
35	52487-KA4-831	RING, STOPPER	001	0	0
36	87516-KZ1-600	LABEL, RR. DAMPER WARNING	001	0	0
37	87516-KZ1-881	LABEL, RR. DAMPER WARNING (FRENCH)	001	0	0
38	90131-MEN-840	BOLT, LINK, 12X92	001	0	0
40	90131-KRN-710	BOLT, LINK, 12X120	001	0	0
41	90152-MEB-750	BOLT, CUSHION UPPER, 10X53	001	0	0
42	90153-KZ4-710	BOLT, CUSHION LOWER, 10X43.5	001	0	0
43	90305-KRN-A30	NUT, U, 12MM	003	0	0
44	90306-KZ4-711	NUT, U, 10MM	002	0	0
45	90501-KZ4-J40	WASHER, PLAIN, 12MM	001	0	0
46	91051-KSC-003	BEARING, NEEDLE, 20X26X15	002	0	0
47	91074-KRN-711	BEARING, NEEDLE, 19X26X13	001	0	0

48	91074-MAC-741	BEARING, SPHERICAL, 10	001	0	0
49	91256-KZ3-731	O-RING, 21.5X1.5	001	0	0
50	91257-KZ3-891	O-RING, 26.2X1.9	001	0	0
51	91262-KZ3-731	DUST SEAL, 25X32X4	006	0	0
52	91351-KZ3-731	DUST SEAL, RR. CUSHION PIVOT	001	0	0
53	91351-KRN-711	DUST SEAL, 17.5X26X3	002	0	0
54	91351-MAC-671	DUST SEAL, 16X26X3	001	0	0
55	90501-KRN-710	WASHER, PLAIN, 12MM	002	0	0
56	91051-KSC-003	BEARING, NEEDLE, 20X26X15	004	0	0
57	90130-MEN-840	BOLT, LINK, 12X82	001	0	0

CRF250R CRF250R9 2009 ED

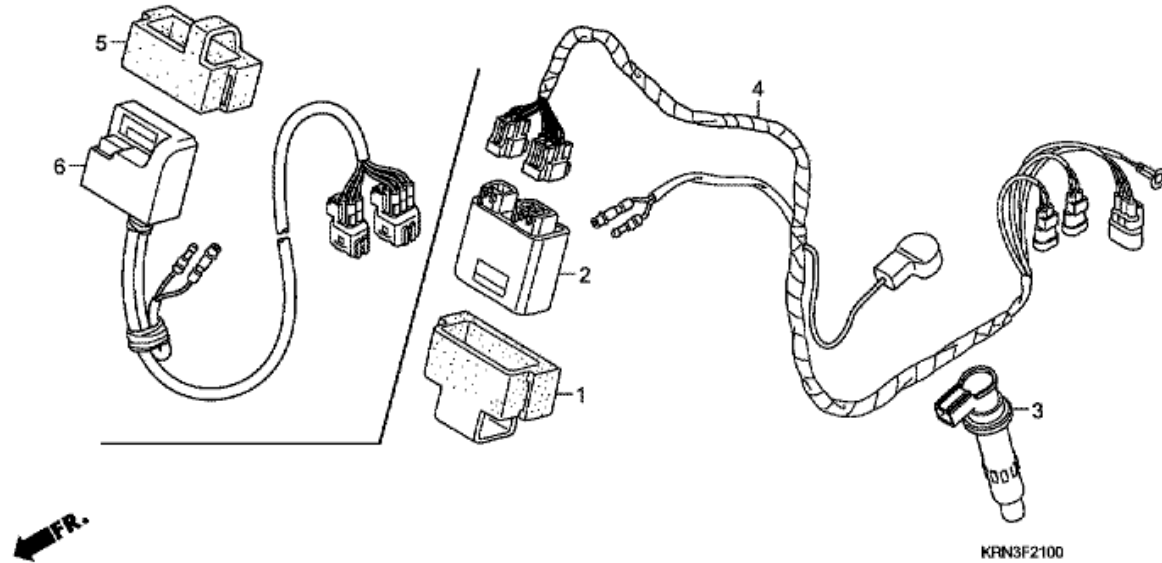
F-20 REAR FENDER



Refnr	Part Number	Description	Unit Qty	Order Qty	Repair Qty
6	80101-KRN-A20ZA	FENDER SET, RR. (WL) *TYPE1* (TYPE1)	001	0	0
6	80101-KRN-A30ZB	FENDER SET, RR. (WL) *TYPE2* (TYPE2)	001	0	0
7	80111-KRN-850	COLLAR, RR. FENDER	004	0	0
8	80112-KRN-850	HOLDER, RR. FENDER NUT	004	0	0
9	90301-KRN-850	NUT, RR. FENDER	004	0	0
10	96001-06016-00	BOLT, FLANGE, 6X16	002	0	0
11	96001-06025-00	BOLT, FLANGE, 6X25	002	0	0

CRF250R CRF250R9 2009 ED

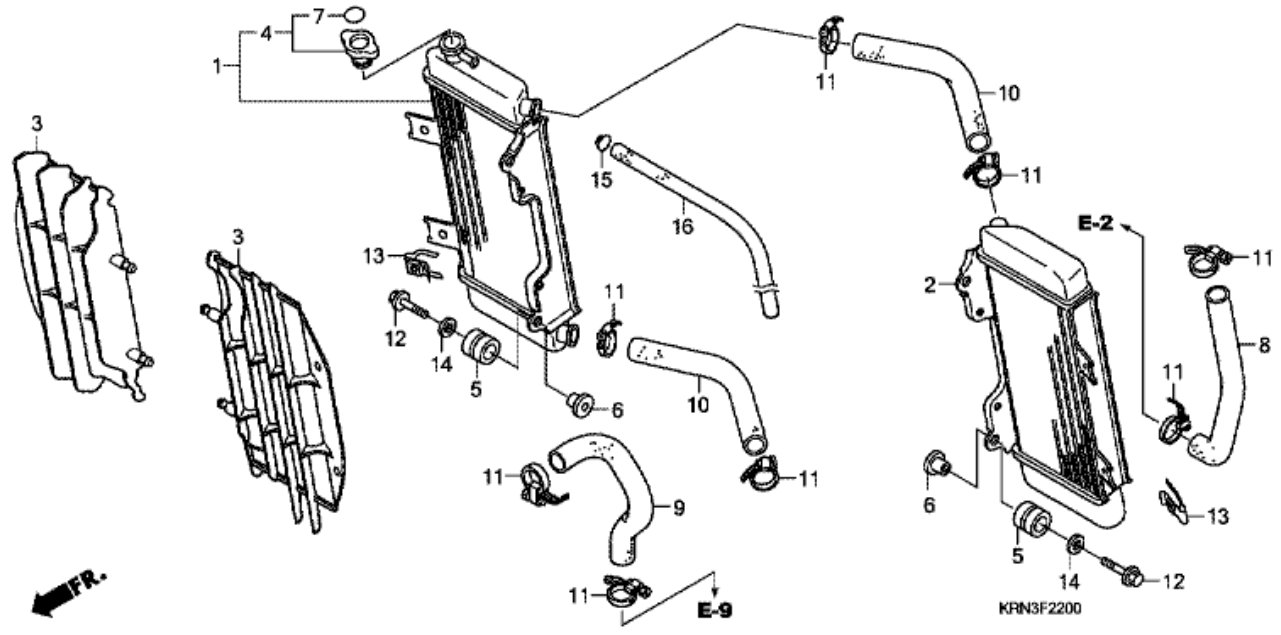
F-21 WIRE HARNESS



Refnr	Part Number	Description	Unit Qty	Order Qty	Repair Qty
3	30700-KRN-671	CAP ASSY., NOISE SUPPRESSOR	001	0	0
4	32100-KRN-A10	HARNESS, WIRE	001	0	0
5	30401-MEN-A10	CUSHION, C.D.I. UNIT	001	0	0
6	30410-KRN-E21	C.D.I. UNIT	001	0	0

CRF250R CRF250R9 2009 ED

F-22 RADIATOR

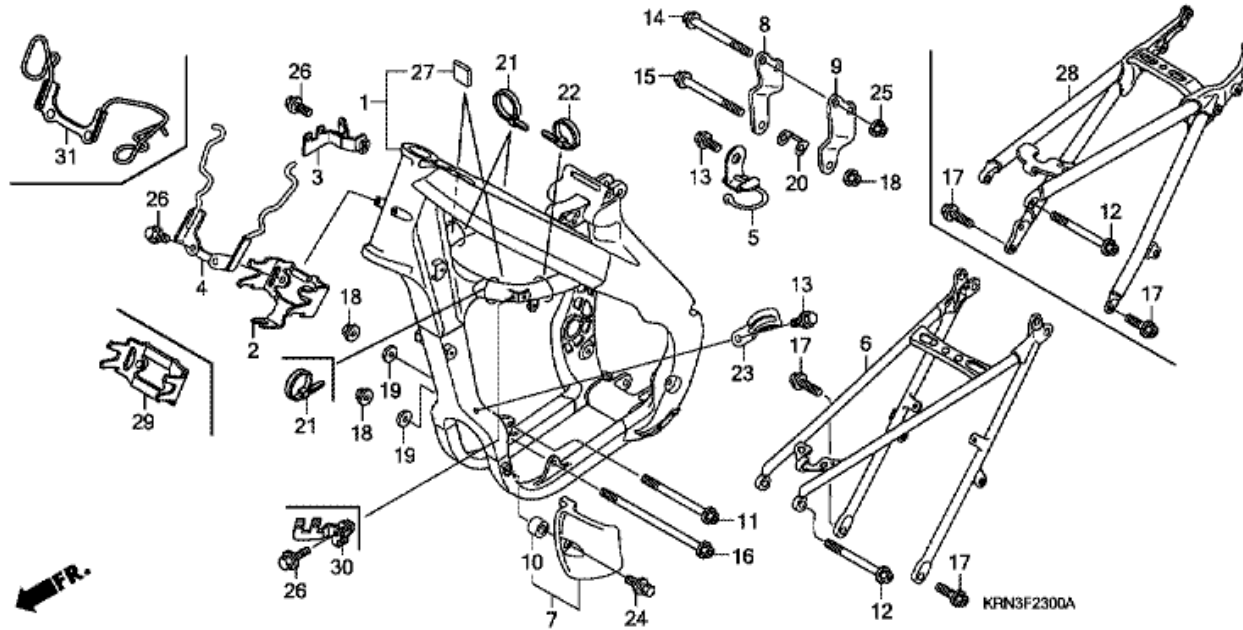


Refnr	Part Number	Description	Unit Qty	Order Qty	Repair Qty
1	19010-KRN-A01	RADIATOR, R.	001	0	0
2	19015-KRN-A01	RADIATOR, L.	001	0	0
3	19033-KRN-850	GRILLE, RADIATOR	002	0	0
3	19033-KRN-A20	GRILLE, RADIATOR	002	0	0
4	19037-KRN-641	CAP COMP., RADIATOR	001	0	0
5	19051-KRN-000	RUBBER, RADIATOR MOUNTING	004	0	0
6	19052-MAC-680	COLLAR, RADIATOR MOUNTING	004	0	0
7	19055-KRN-641	SEAL, RADIATOR CAP (ENGLISH/FRENCH/JAPANESE)	001	0	0
8	19061-KRN-000	HOSE A, WATER	001	0	0
9	19062-KRN-000	HOSE B, WATER	001	0	0
10	19064-KRN-000	HOSE D, WATER	002	0	0
11	19506-KS6-700	CLAMP B, WATER HOSE	008	0	0

12	90001-GB4-000	BOLT, FLANGE, 6X23.5	004	0	0
13	90303-KRN-000	NUT, CLIP, 6MM	002	0	0
14	90403-KA3-830	WASHER, RADIATOR MOUNTING	004	0	0
15	95002-02080	CLIP, TUBE (B8)	001	0	0
16	95003-14073-10	TUBE, VINYL, 6X9X730 (95003-14001-10M)	001	0	0

CRF250R CRF250R9 2009 ED

F-23 FRAME BODY

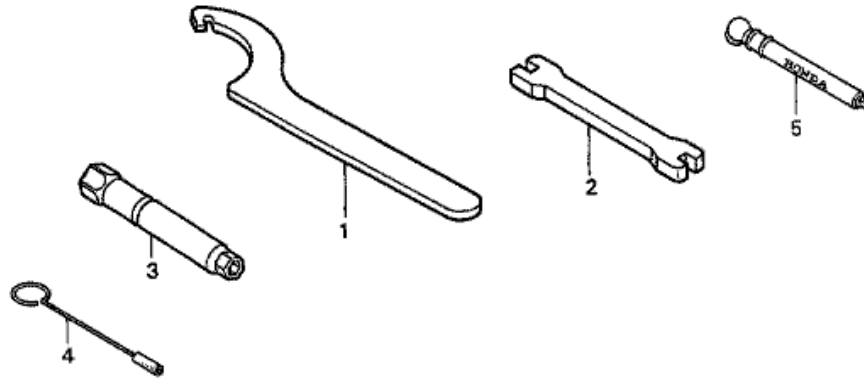


Refnr	Part Number	Description	Unit Qty	Order Qty	Repair Qty
1	50010-KRN-A10	BODY SET, FRAME	001	0	0
3	50126-KRN-000	STAY, COUPLER	001	0	0
5	50197-KRN-000	CLIP, FUEL TUBE	001	0	0
7	50360-KRN-A10	GUARD, L. ENGINE	001	0	0
7	50360-KRN-A20	GUARD, L. ENGINE	001	0	0
8	50407-KRN-850	BRACKET, R. HEAD HANGER	001	0	0
9	50408-KRN-851	BRACKET, L. HEAD HANGER	001	0	0
10	52156-353-300	COLLAR, 6X4	001	0	0
11	90101-KZ3-J20	BOLT, FLANGE, 10X117	001	0	0
12	90105-KRN-000	BOLT, FLANGE, 8X125	001	0	0
13	90106-KRN-000	BOLT, FLANGE, 5X12	002	0	0
14	90107-KRN-000	BOLT, FLANGE, 8X55	002	0	0

15	90109-KRN-000	BOLT, FLANGE, 10X58	001	0	0
16	90116-KW3-000	BOLT, FLANGE, 10X138	001	0	0
17	90122-KRN-000	BOLT, FLANGE, 10X26	002	0	0
18	90302-KZ3-J40	NUT, FLANGE, 10MM	003	0	0
19	90410-HC4-000	WASHER, 10MM	002	0	0
20	90511-KRN-000	WASHER, HEAD HANGER PLATE	001	0	0
21	90651-KV6-003	BAND, WIRE, 165MM	003	0	0
22	90652-KT1-771	BAND, WIRE (BLACK)	001	0	0
23	91404-KRN-000	CLIP, 2X70	001	0	0
24	93404-06014-00	BOLT-WASHER, 6X14	001	0	0
25	94050-08000	NUT, FLANGE, 8MM	002	0	0
26	96001-06012-00	BOLT, FLANGE, 6X12	004	0	0
27	50283-MEN-A00	RUBBER, TANK GUARD	002	0	0
28	50200-KRN-850	BODY COMP., RR. FRAME	001	0	0
29	50124-KRN-A00	BRACKET, C.D.I. UNIT	001	0	0
30	50127-KRN-A10	STAY, L. COUPLER	001	0	0
31	50128-MEN-A10	GUIDE, HARNESS	001	0	0

CRF250R CRF250R9 2009 ED

F-24 TOOLS

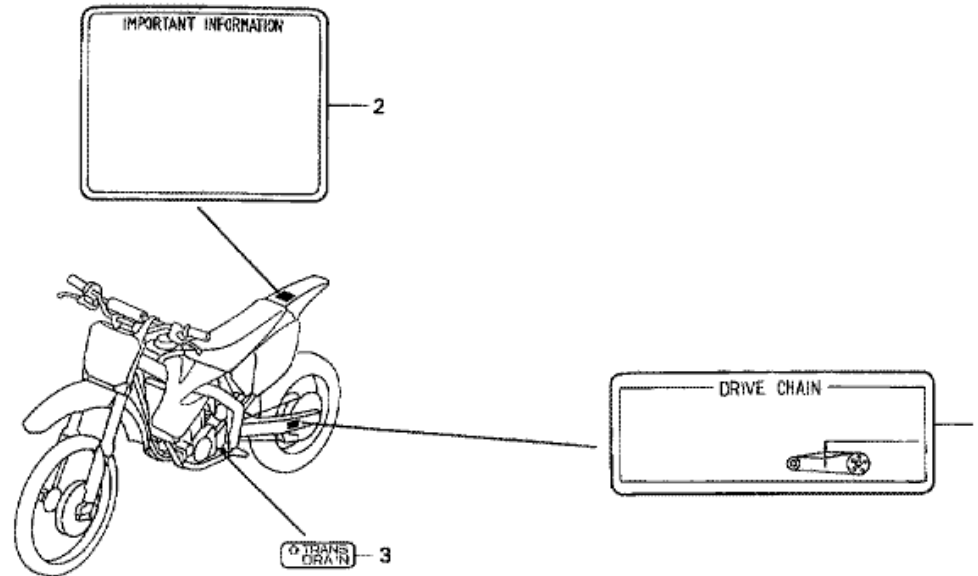


KRN4-F2400

Refnr	Part Number	Description	Unit Qty	Order Qty	Repair Qty
1	89201-KS6-810	SPANNER A, PIN	(2)	0	0
2	89212-KZ4-J40	WRENCH, NIPPLE	001	0	0
3	89216-MY9-000	WRENCH, PLUG (16MM)	001	0	0
5	89301-KA4-811	GAUGE, AIR PRESSURE	(1)	0	0

CRF250R CRF250R9 2009 ED

F-25 CAUTION LABEL

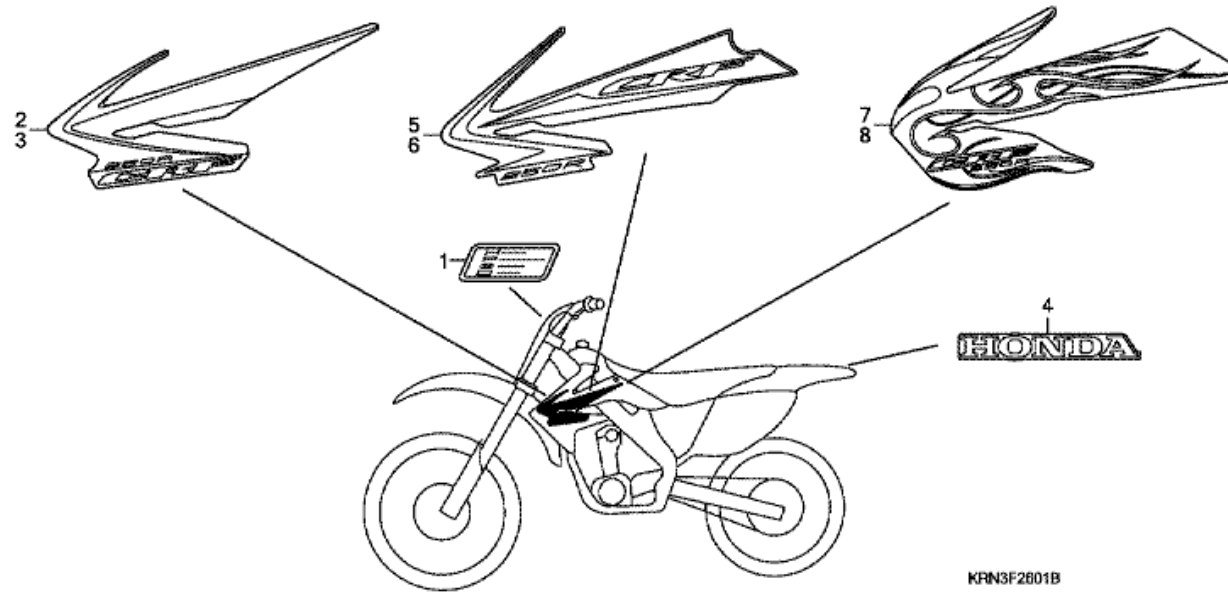


KRN3--F2500

Refnr	Part Number	Description	Unit Qty	Order Qty	Repair Qty
1	87507-KZ3-B10	LABEL, DRIVE CHAIN	001	0	0
1	87507-KZ3-B90	LABEL, DRIVE CHAIN (FRENCH)	001	0	0
2	87560-GBF-770	MARK, CAUTION	001	0	0
2	87560-ML3-970	MARK, CAUTION (FRENCH)	001	0	0

CRF250R CRF250R9 2009 ED

F-26-1 MARK (CRF250R8/9)



KRN3F2601B

Refnr	Part Number	Description	Unit Qty	Order Qty	Repair Qty
1	61139-MEN-A10ZA	MARK, STEERING DAMPER *TYPE1* (TYPE1)	001	0	0
4	87130-KPS-A20ZA	MARK (HONDA) *TYPE2* (TYPE2)	001	0	0
4	87130-KCZ-J60ZA	MARK (HONDA) *TYPE1 * (TYPE1)	001	0	0
5	87126-KRN-A30ZA	MARK, R. RADIATOR SHROUD *TYPE1* (TYPE1)	001	0	0
6	87127-KRN-A30ZA	MARK, L. RADIATOR SHROUD *TYPE1* (TYPE1)	001	0	0
7	87126-KRN-A20ZA	MARK, R. RADIATOR SHROUD *TYPE1* (TYPE1)	001	0	0
8	87127-KRN-A20ZA	MARK, L. RADIATOR SHROUD *TYPE1* (TYPE1)	001	0	0