

This catalog covers:

'06~'07 ZX1000 D6F/D7F

GRID NO.

A-1

This grid covers:

Title



PARTS CATALOG

'06~'07 ZX1000 D6F/D7F

(NINJA ZX-10R)

Publications	A-2
Model Identification	A-4
Engine	B-1
Chassis	E-1

© Kawasaki Heavy Industries, Ltd. 2006

Engine No. Location:
Upper crankcase, rear side

Year & Model

Color

'06 ZX1000D6F

1. Ebony (H8)
2. Lime Green (777)
3. Metallic Flat Raw Titanium (725)

VIN No. Range

Engine No. Range

JKAZXT00DDA000001 ~ 020000

ZXT00DE000001 ~

'07 ZX1000D7F

1. Ebony (H8)
2. Lime Green (777)

JKAZXT00DDA020001 ~

ZXT00DE000001 ~

This catalog covers:

'06~'07 ZX1000 D6F/D7F

GRID NO.

A-2

This grid covers:

Publications

Year & Model	Owner's Manual	A&P Manual		Service Manual		Microfiche
		General	Supplement	Basic	Supplement	
2006 ZX1000D6F	Local Procurement	99931-1460-01		99924-1365-01		99912-1410-03
2007 ZX1000D7F	99976-1318 99986-1374	See above		See above		See above

This catalog covers:

'06~'07 ZX1000 D6F/D7F

GRID NO.

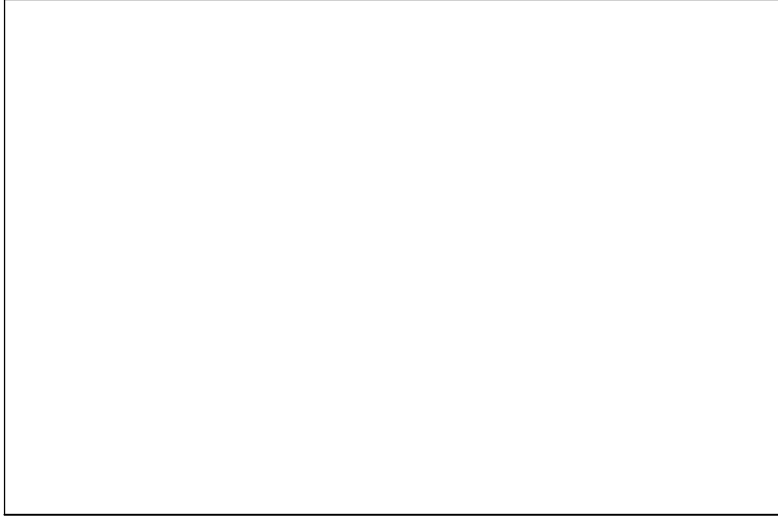
A-4

This grid covers:

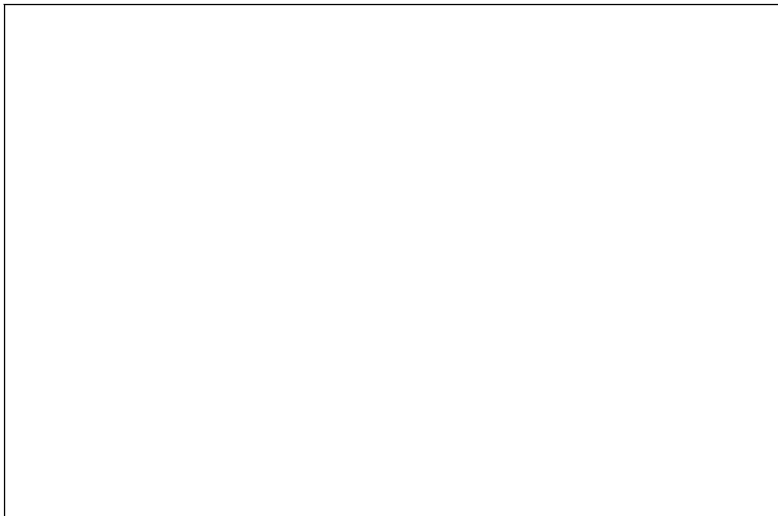
Model I.D. '06~'07 ZX1000 D6F/D7F

ZX1000D6F

Left Side View

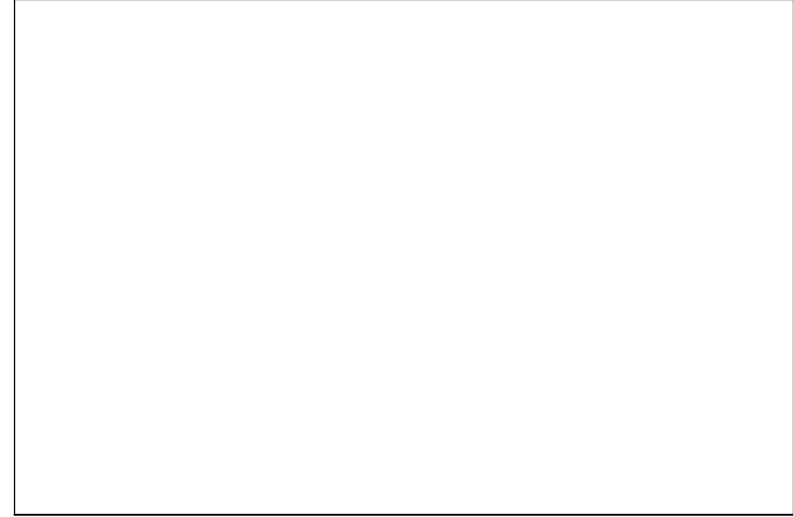


Right Side View

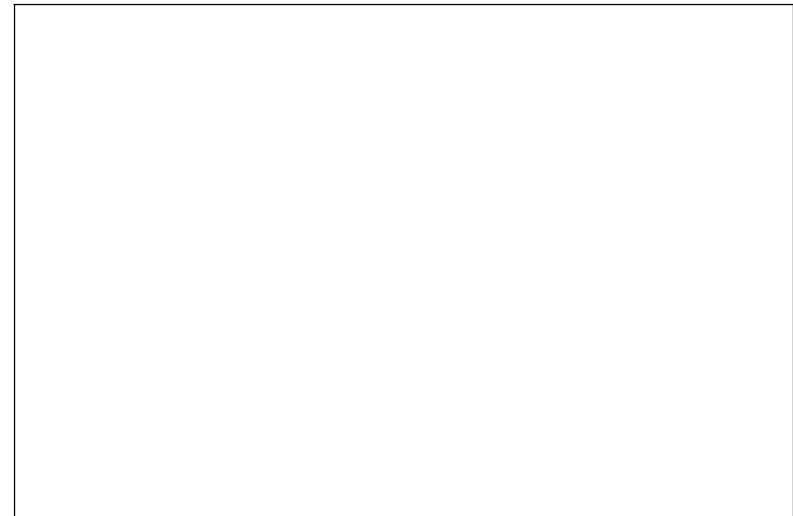


ZX1000D7F

Left Side View



Right Side View



This catalog covers:

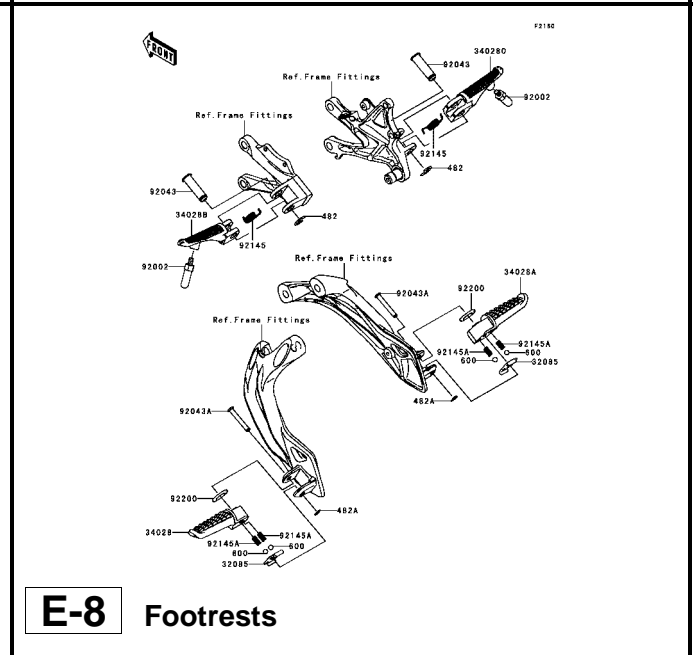
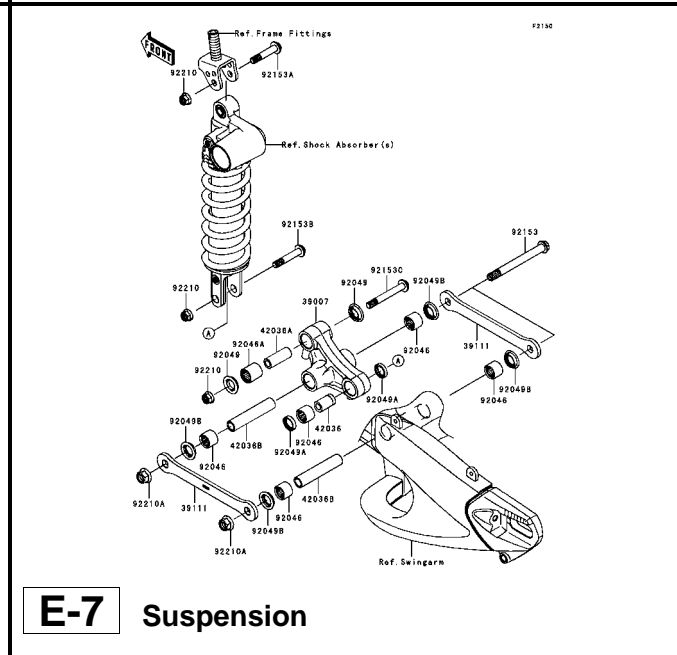
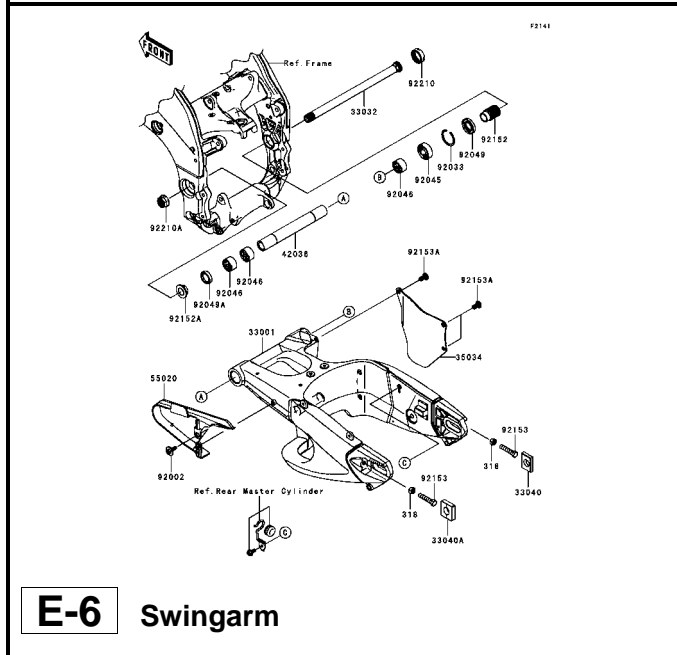
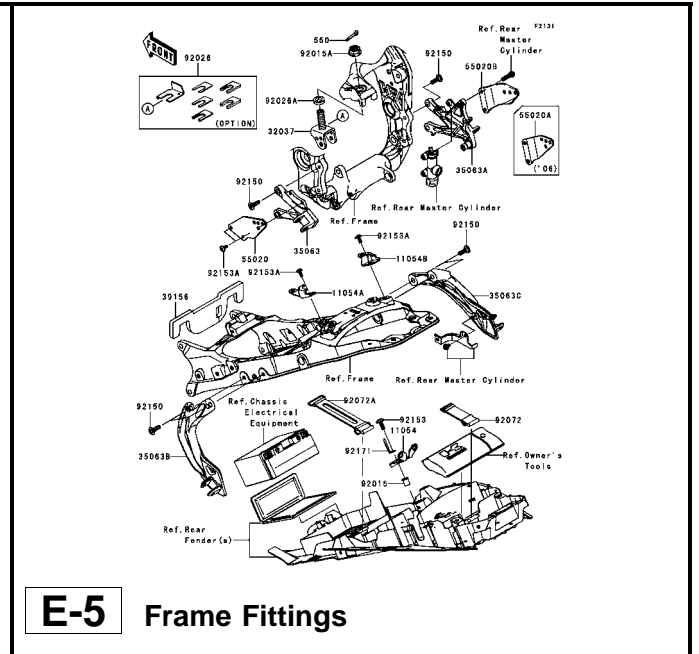
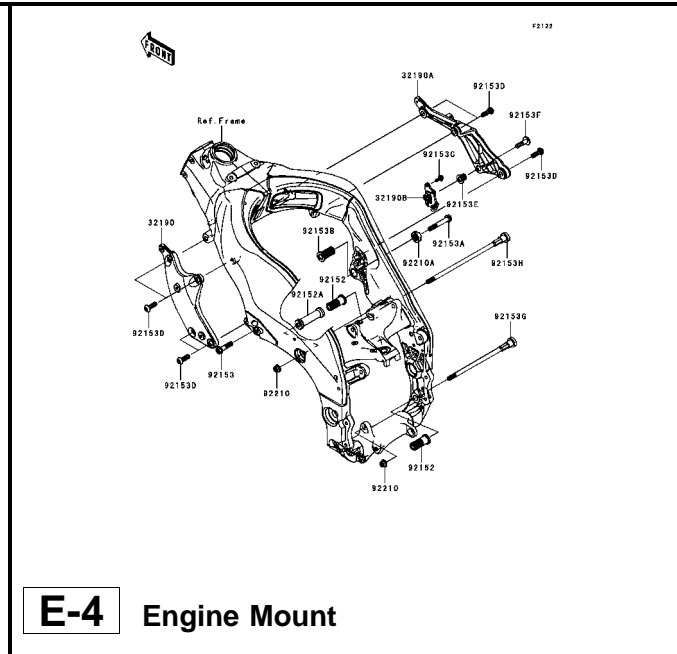
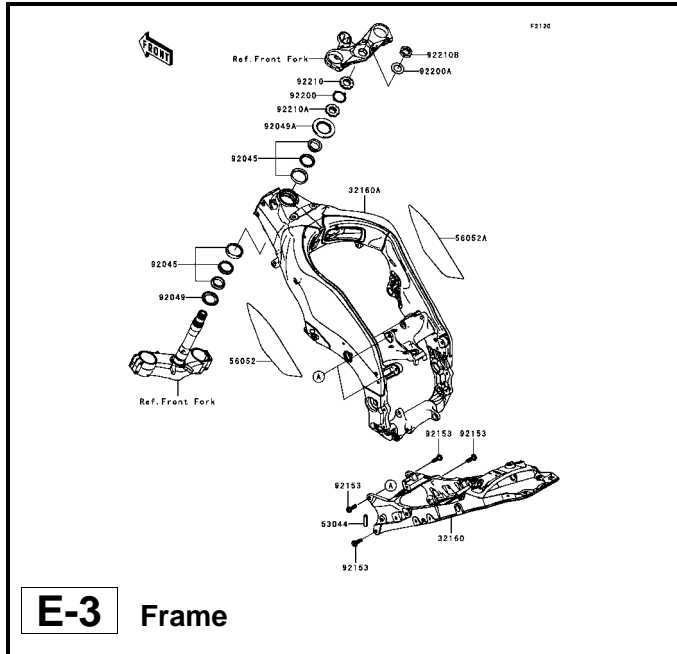
'06~'07 ZX1000 D6F/D7F Engine

GRID NO.

D-2

This grid covers:

Pictorial Index



This catalog covers:

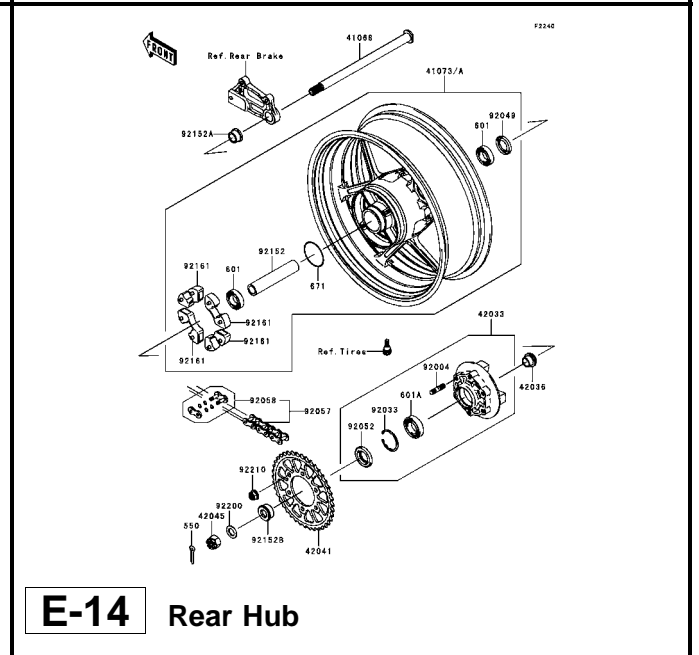
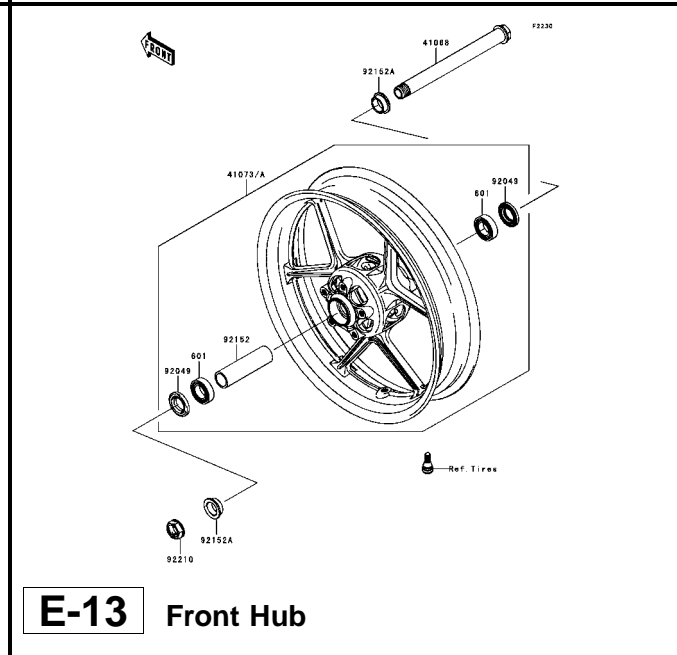
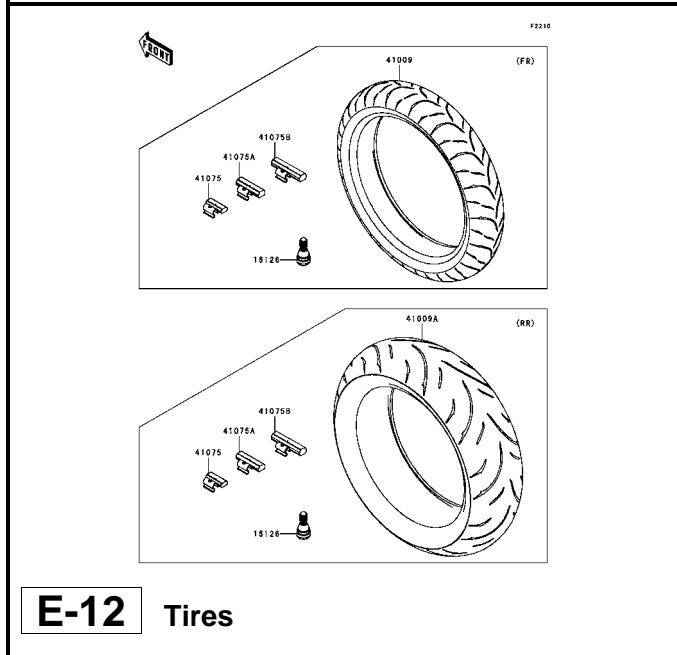
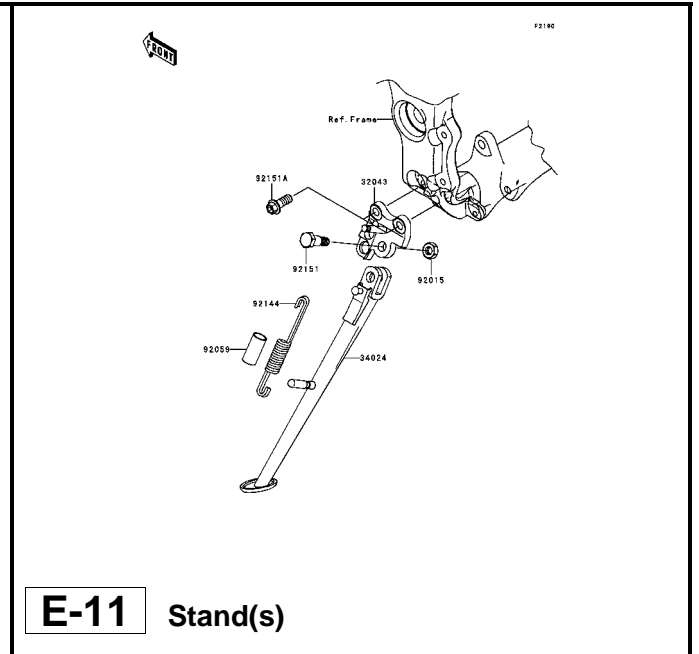
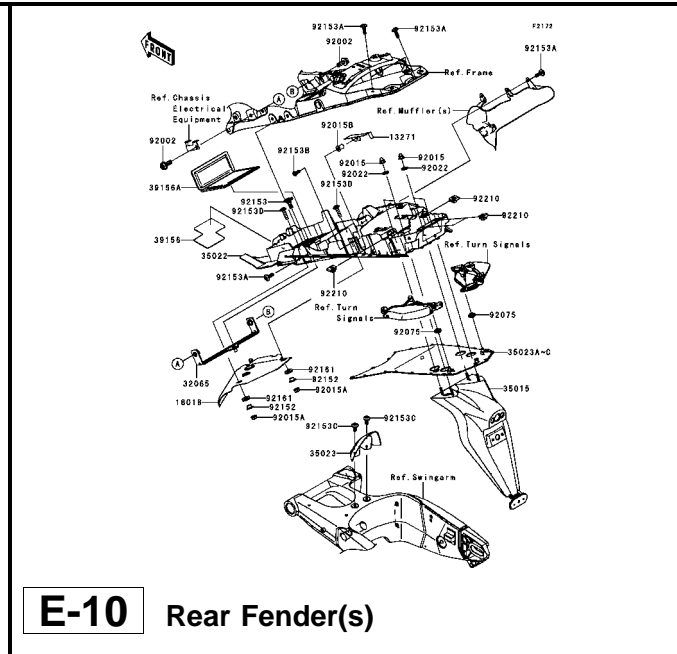
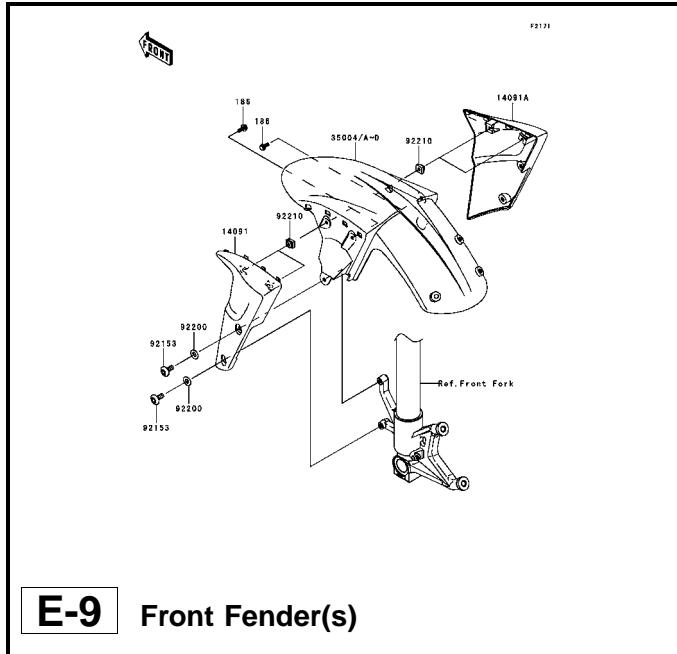
'06~'07 ZX1000 D6F/D7F Chassis

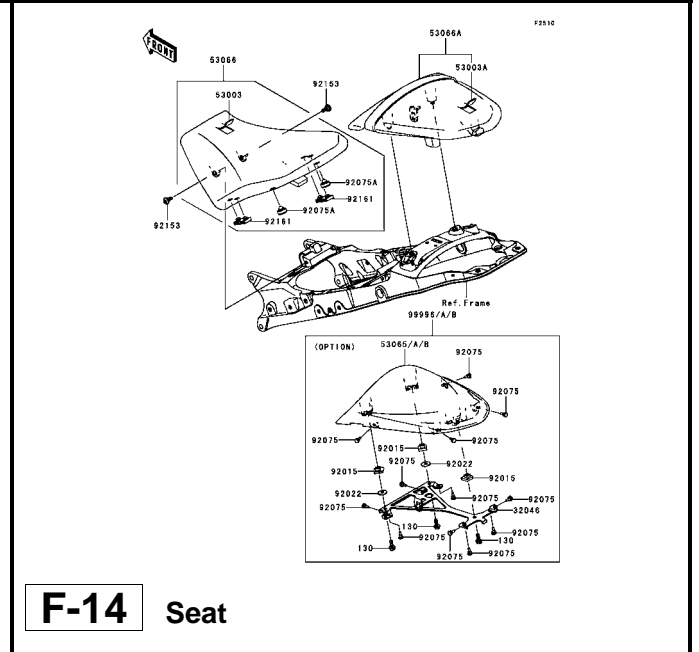
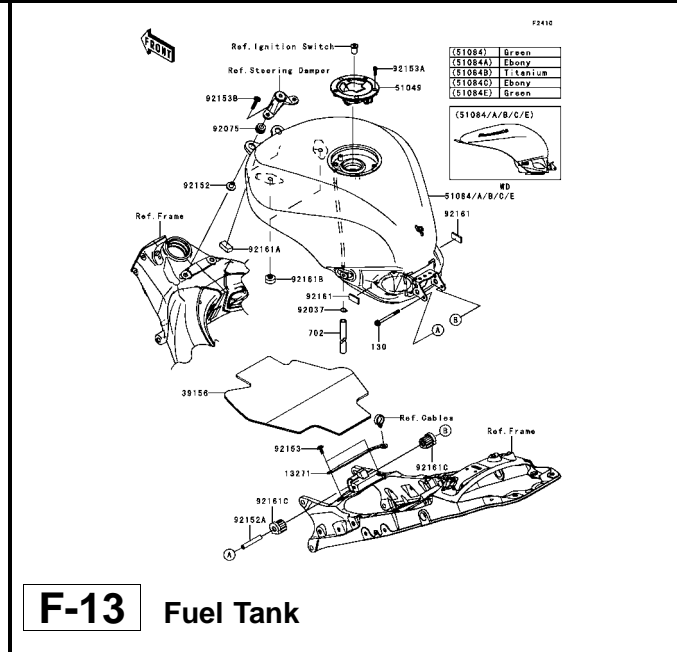
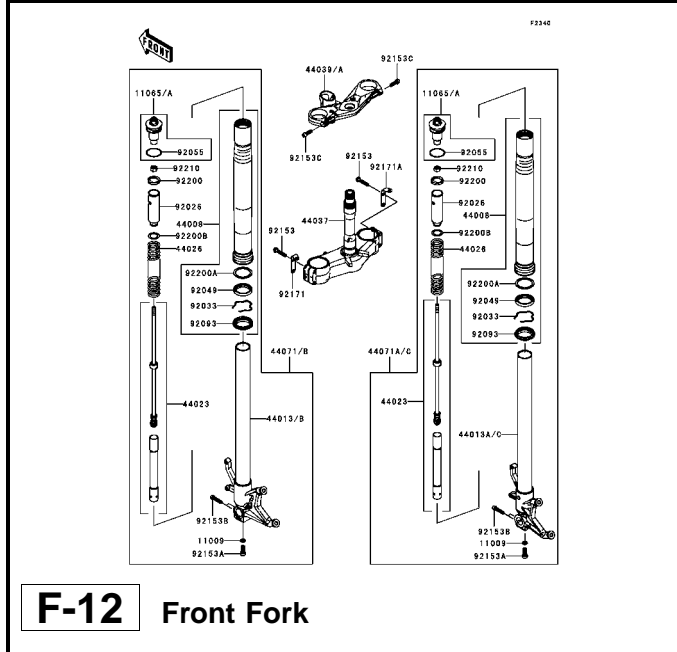
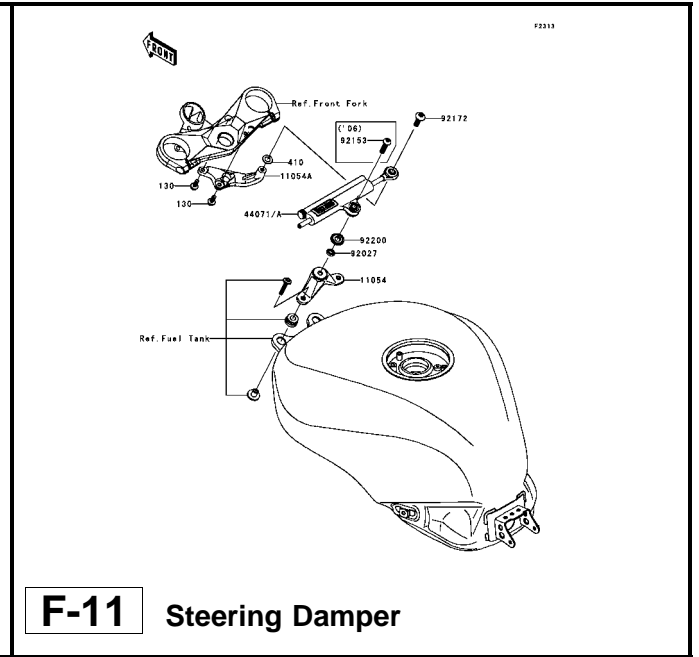
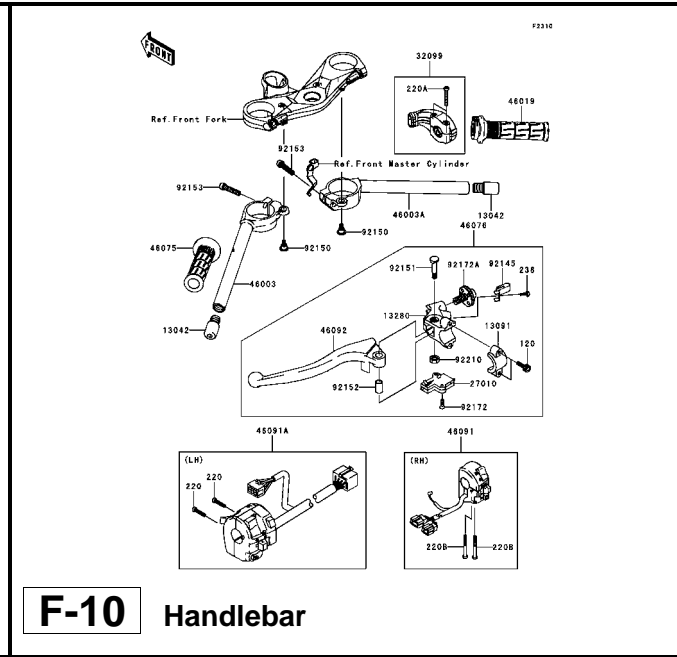
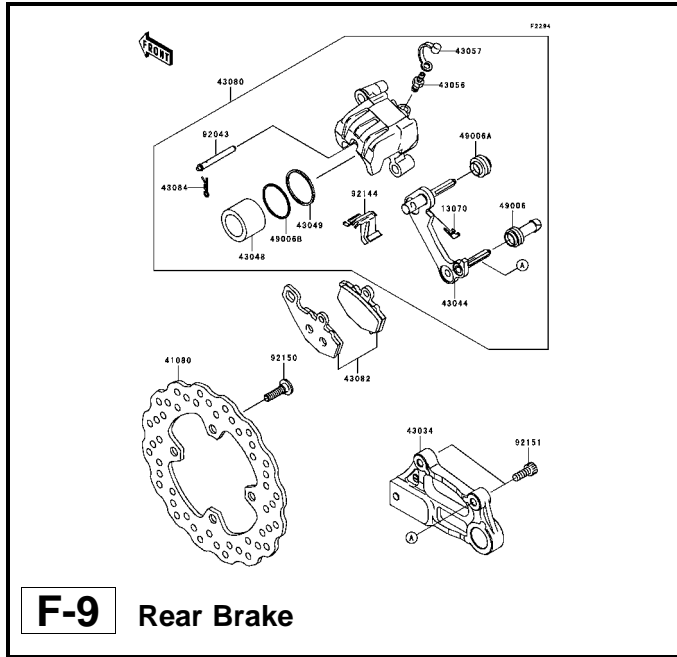
GRID NO.

E-2

This grid covers:

Pictorial Index





This catalog covers:

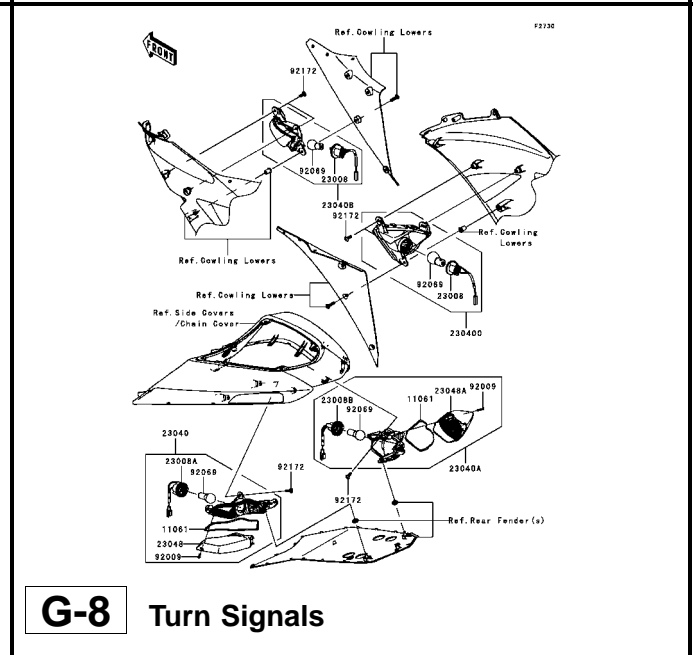
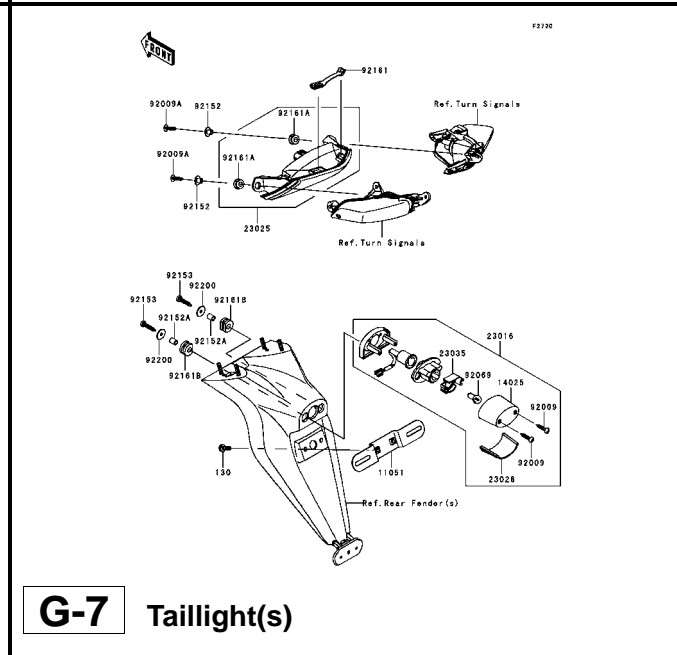
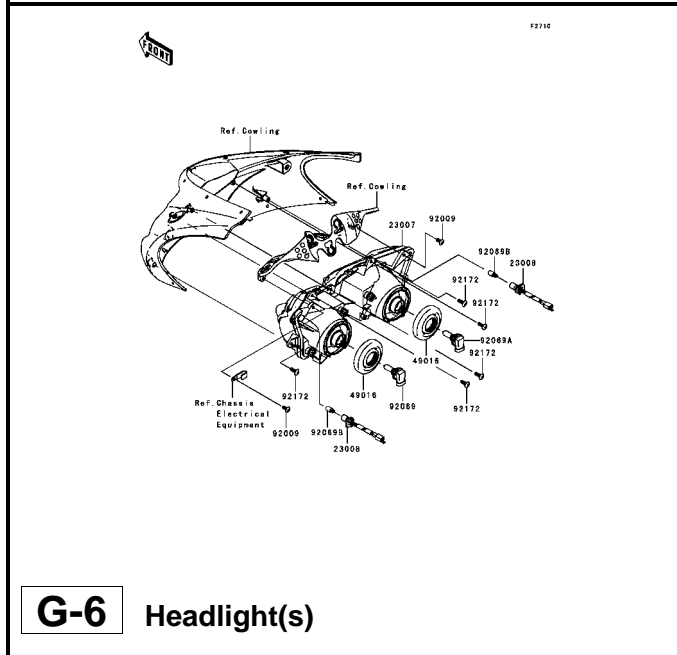
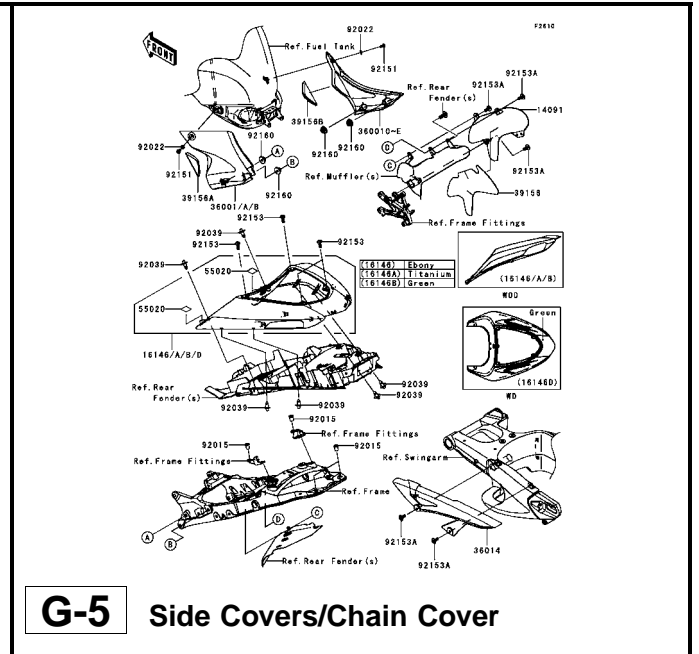
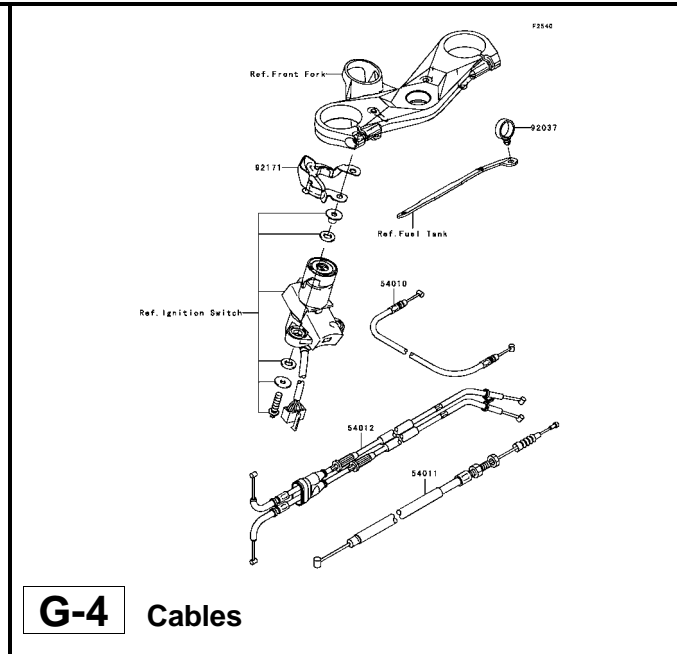
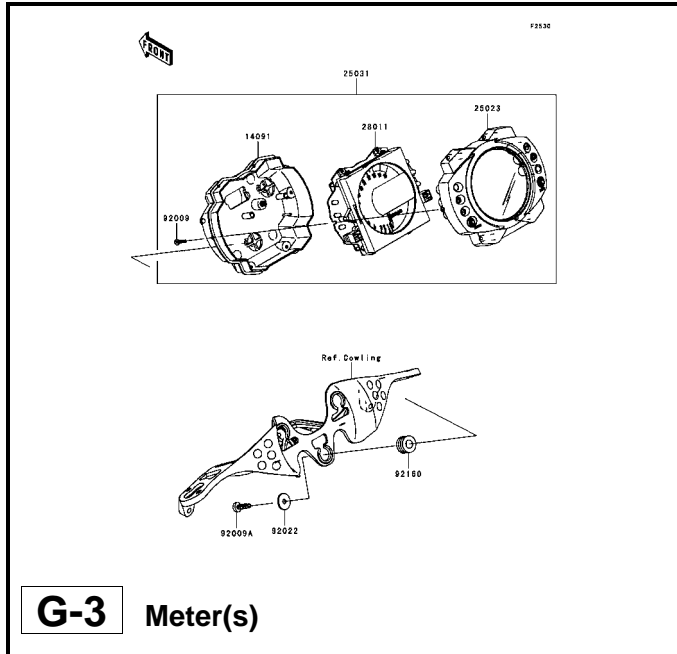
'06~'07 ZX1000 D6F/D7F Chassis

GRID NO.

G-1

This grid covers:

Pictorial Index



This catalog covers:

'06~'07 ZX1000 D6F/D7F Chassis

GRID NO.

H-2

This grid covers:

Pictorial Index

This catalog covers:

'06~'07 ZX1000 D6F/D7F Engine

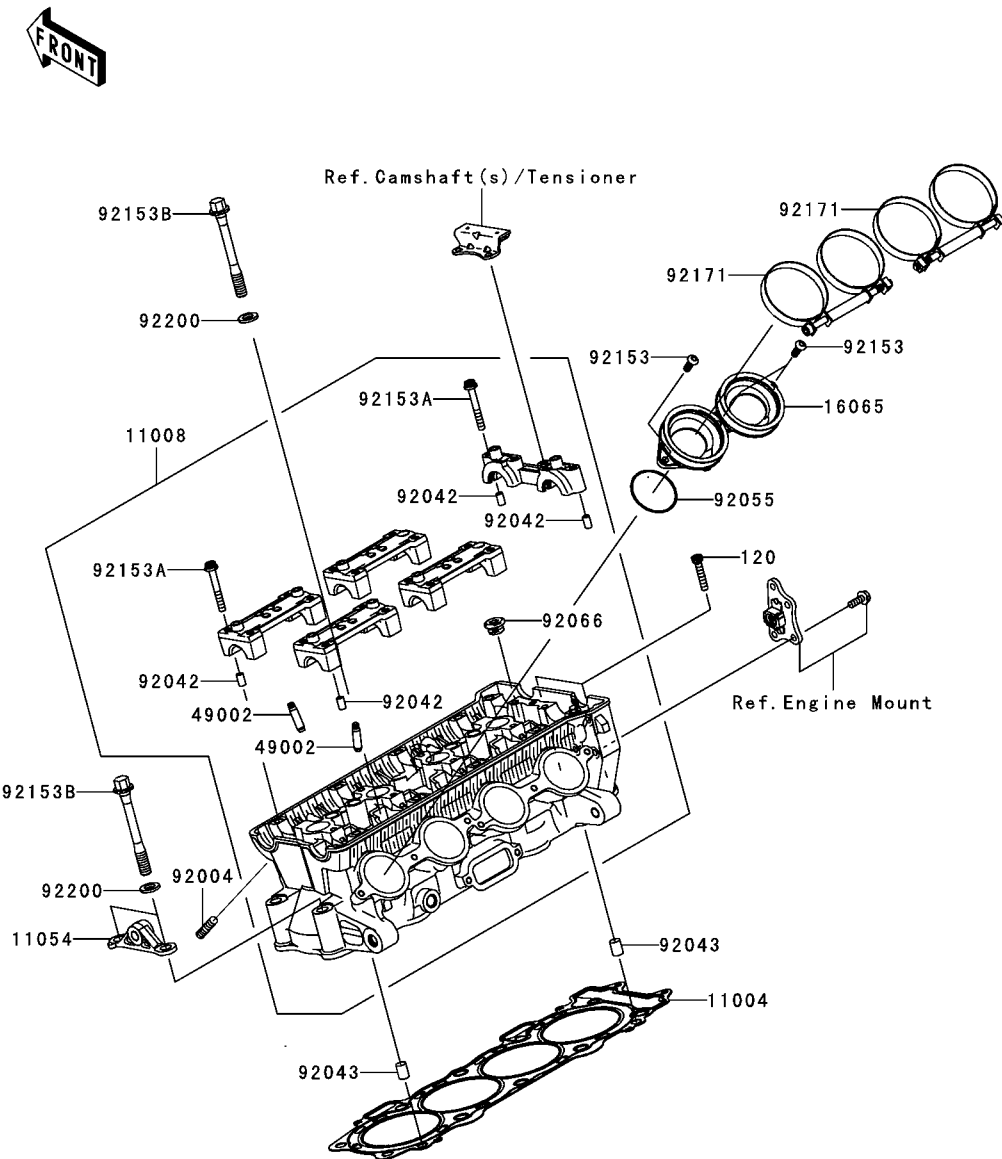
GRID NO.

B-3

This grid covers:

Cylinder Head

E1111



Ref. No.	Part No.	Description	Spec Code	Quantity-ZX1000			
				'06	'07		
				D6F	D7F		
11004	11004-0049	GASKET-HEAD	1	1			
11008	11008-0061	HEAD-COMP-CYLINDER	1	1			
11054	11054-0488	BRACKET	1	1			
16065	16065-0025	HOLDER-CARBURETOR	2	2			
49002	49002-0009	GUIDE-VALVE	AR	AR			
92004	92004-1186	STUD,8X18	8	8			
92042	92042-007	PIN,DOWEL,6.3X8X14	10	10			
92043	92043-1264	PIN,8.2X10X14	2	2			
92055	92055-1401	RING-O,43.7X1.9	4	4			
92066	92066-0016	PLUG,18X10	4	4			
92153	92153-0454	BOLT,TORX,6X18	6	6			
92153A	92153-0656	BOLT,SOCKET,6X45	20	20			
92153B	92153-0893	BOLT,FLANGED,10X90	10	10			
92171	92171-0278	CLAMP	2	2			
92200	92200-0114	WASHER,10.5X19X2.3	10	10			
120	120Z0630	BOLT-SOCKET,6X30	2	2			

This catalog covers:

'06~'07 ZX1000 D6F/D7F Engine

GRID NO.

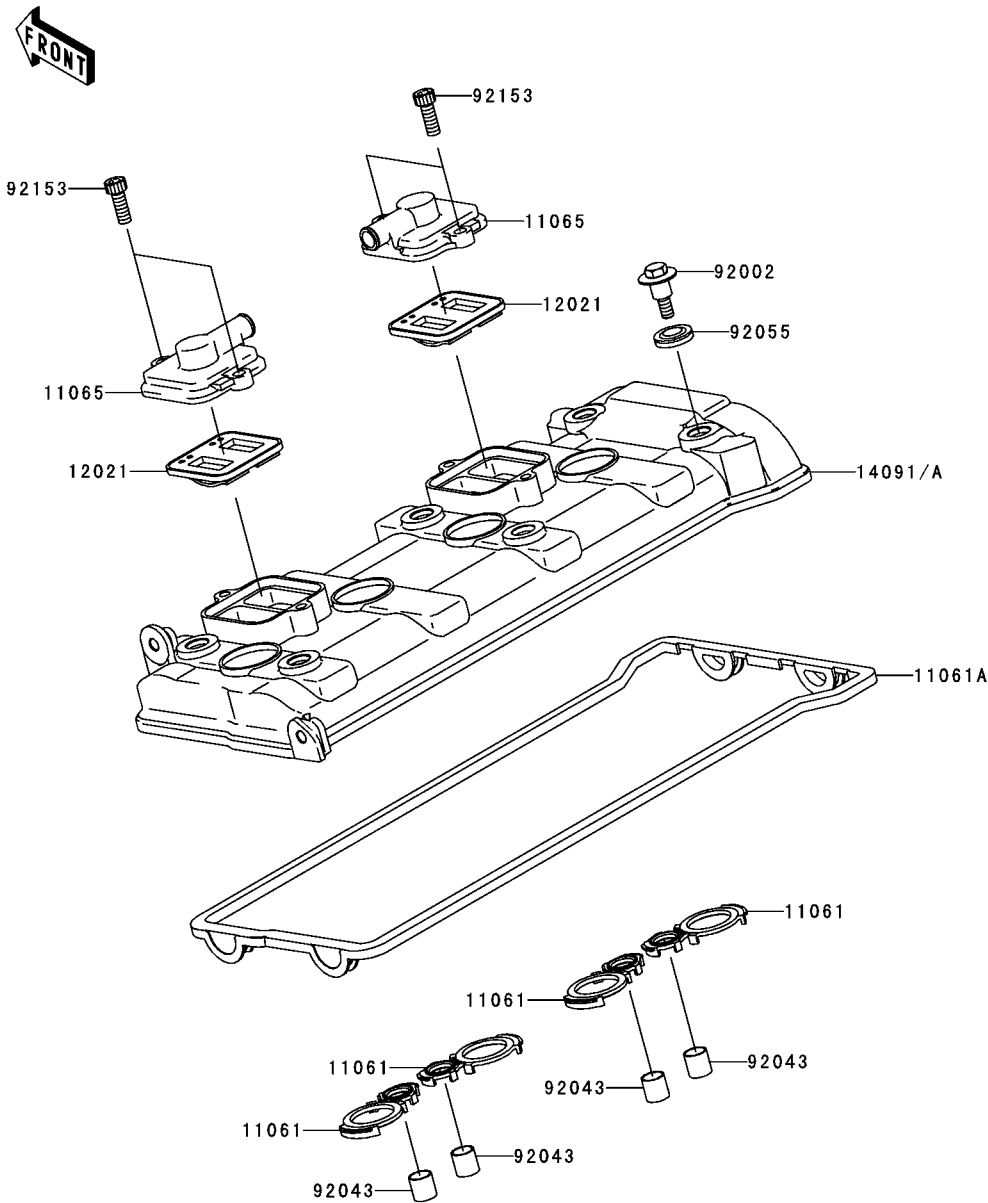
B-4

This grid covers:

Cylinder Head Cover

E1112

Ref. No.	Part No.	Description	Spec Code	Quantity-ZX1000			
				'06	'07		
				D6F	D7F		
11061	11061-0064	GASKET,PLUG HOLE		4	4		
11061A	11061-0223	GASKET,HEAD COVER		1	1		
11065	11065-1247	CAP		2	2		
12021	12021-1130	VALVE-ASSY-REED		2	2		
14091	14091-0485-11E	COVER,HEAD,F.S.BLACK		1			
14091A	14091-0653-11E	COVER,HEAD,F.S.BLACK			1		
92002	92002-1327	BOLT,FLANGED,6X22.5		6	6		
92043	92043-4009	PIN,10.1X12X14		4	4		
92055	92055-1352	RING-O,HEAD COVER BOLT		6	6		
92153	92153-1284	BOLT,SOCKET,6X18		4	4		



This catalog covers:

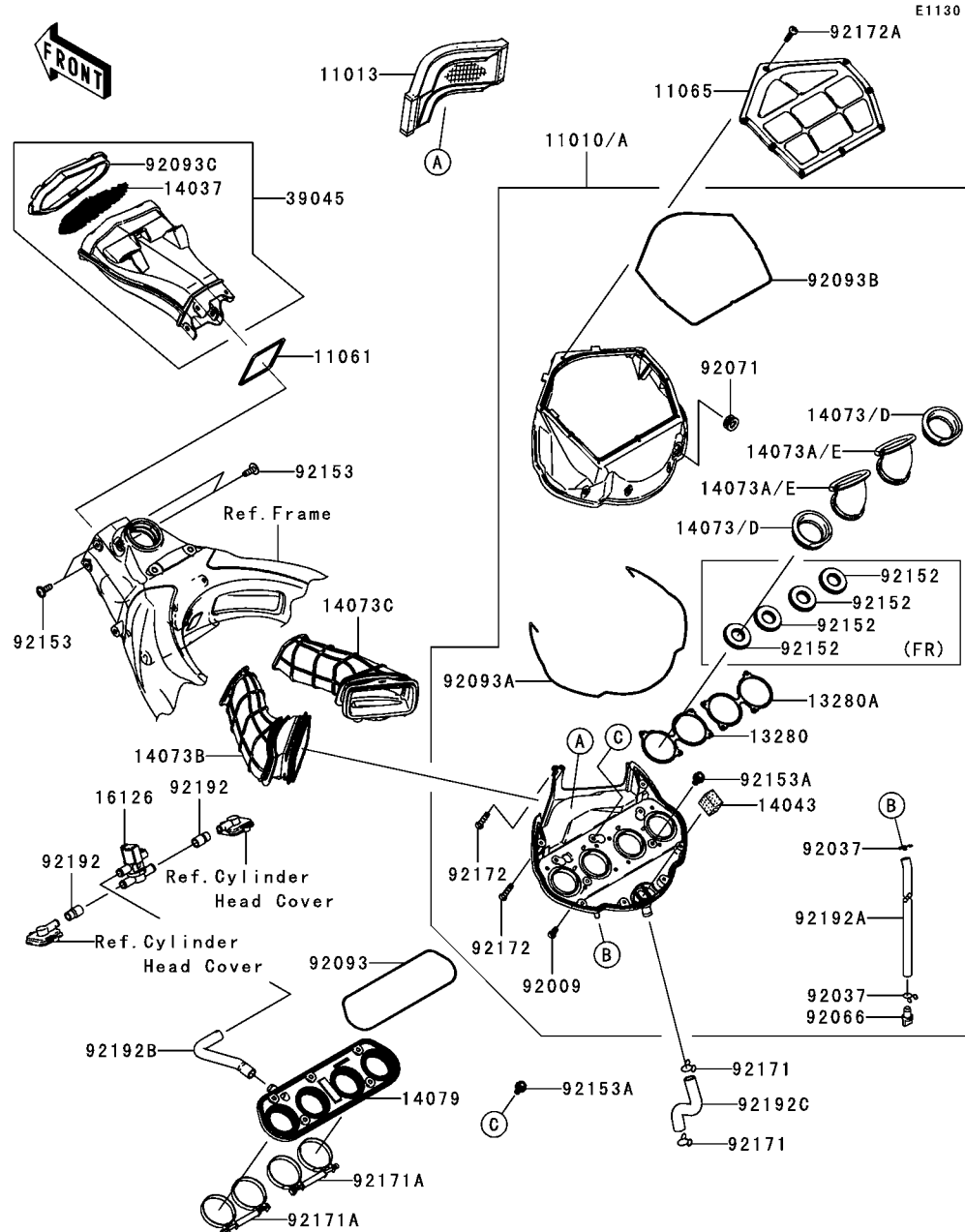
'06~'07 ZX1000 D6F/D7F Engine

GRID NO.

B-5

This grid covers:

Air Cleaner(1/2)



Ref. No.	Part No.	Description	Spec Code	Quantity-ZX1000			
				'06	'07		
				D6F	D7F		
11010	11010-0070	FILTER-ASSY-AIR					
	L-----		UK,WV	1	1		
11010A	11010-0093	FILTER-ASSY-AIR					
	L-----		FR	1	1		
11013	11013-0004	ELEMENT-AIR FILTER					
11061	11061-0056	GASKET					
11065	11065-0127	CAP,AIR FILTER					
13280	13280-0149	HOLDER,FUNNEL #1					
13280A	13280-0152	HOLDER,FUNNEL #3					
14037	14037-0042	SCREEN					
14043	14043-0006	FILTER,OIL SEPARATOR					
14073	14073-0090	DUCT,FUNNEL #1					
	L-----		UK,WV	2	2		
14073A	14073-0091	DUCT,FUNNEL #2					
	L-----		UK,WV	2	2		
14073B	14073-0093	DUCT,LH					
14073C	14073-0094	DUCT,RH					
14073D	14073-0108	DUCT,FUNNEL,#1					
	L-----		FR	2	2		
14073E	14073-0109	DUCT,FUNNEL,#2					
	L-----		FR	2	2		
14079	14079-0018	HOLDER-ASSY					
16126	16126-1437	VALVE,AIR SWITING					
39045	39045-0015	DUCT-ASSY,RAM					
92009	92009-1499	SCREW,TAPPING,5X10					
92037	92037-147	CLAMP,TUBE					
92066	92066-1211	PLUG,DRAIN					
92071	92071-2140	GROMMET					
92093	92093-0012	SEAL					
92093A	92093-0026	SEAL					
92093B	92093-0027	SEAL					
92093C	92093-0047	SEAL					
92152	92152-0396	COLLAR,RESTRICTER					
	L-----		FR	4	4		
92153	92153-0756	BOLT,6X18					
92153A	92153-1500	BOLT,SOCKET,6X15					
92171	92171-0391	CLAMP					
92171A	92171-0502	CLAMP					
92172	92172-0009	SCREW,TAPPING,5X20					
92172A	92172-0056	SCREW-PAN-CROS,5X25					
92192	92192-0033	TUBE,HEAD-ASV					

This catalog covers:

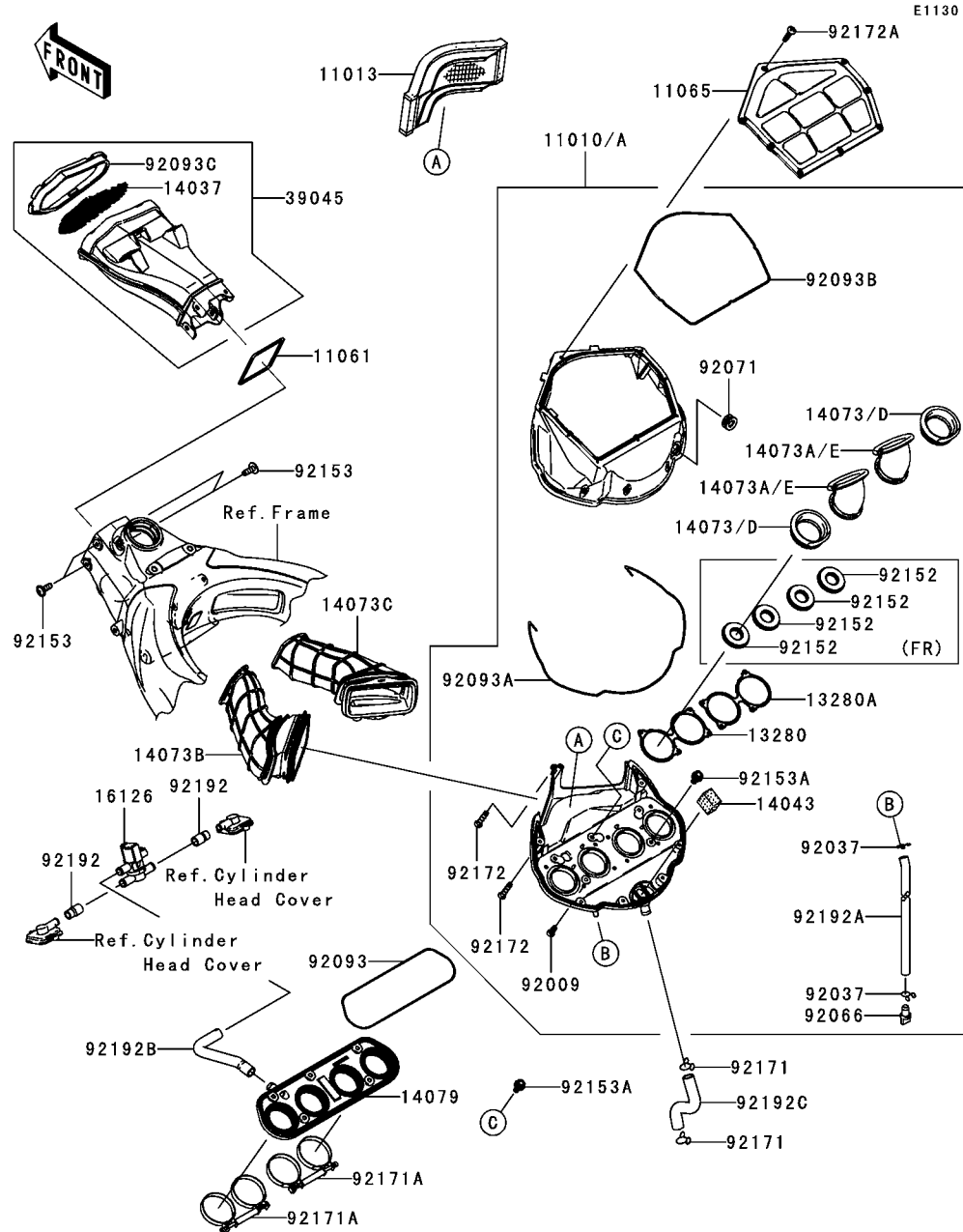
'06~'07 ZX1000 D6F/D7F Engine

GRID NO.

B-6

This grid covers:

Air Cleaner(2/2)



Ref. No.	Part No.	Description	Spec Code	Quantity-ZX1000			
				'06	'07		
				D6F	D7F		
92192A	92192-0156	TUBE,7X10X500	1	1			
92192B	92192-0236	TUBE,A/C-ASV	1	1			
92192C	92192-0237	TUBE,BREATHER	1	1			

This catalog covers:

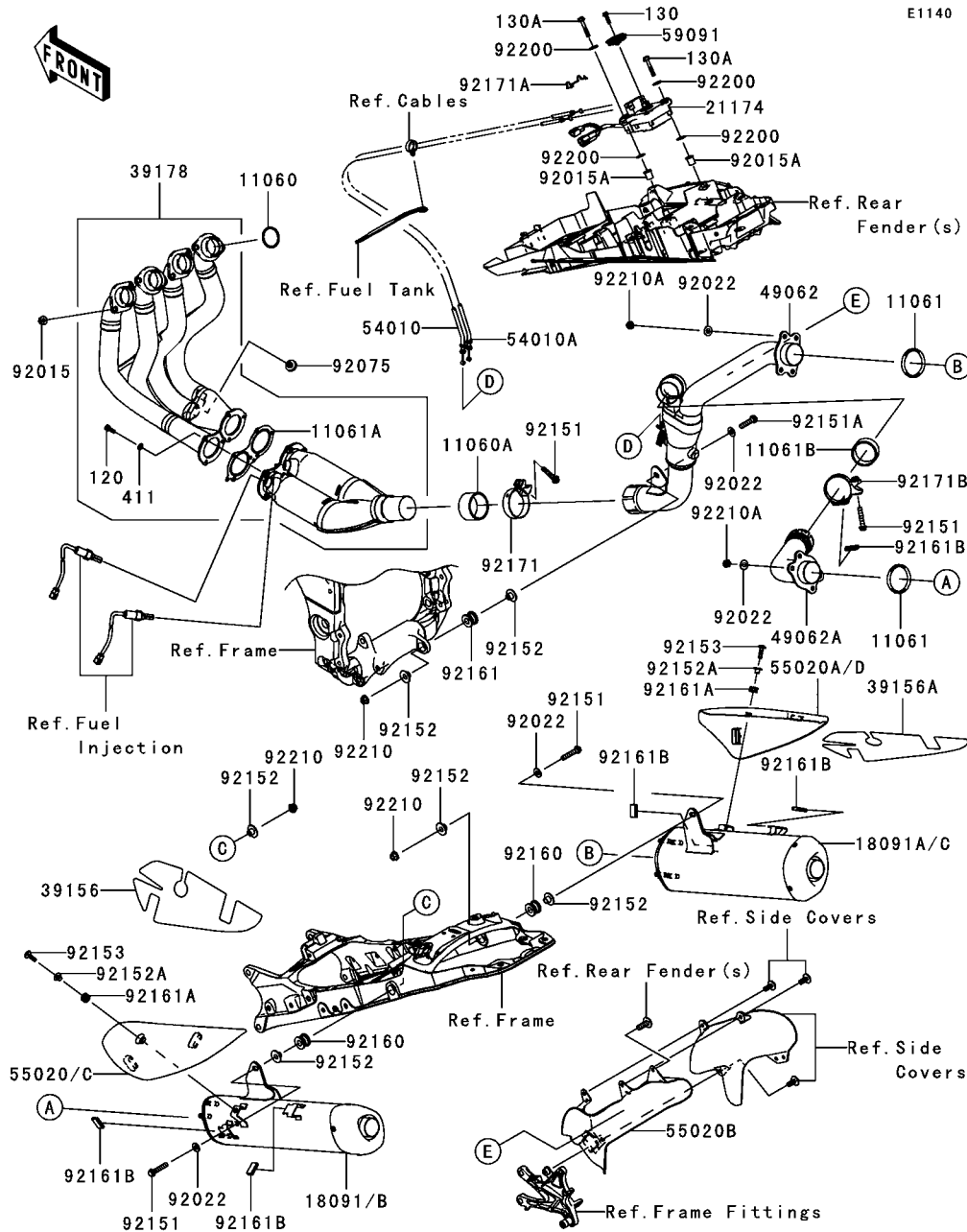
'06~'07 ZX1000 D6F/D7F Engine

GRID NO.

B-8

This grid covers:

Muffler(s)(2/2)



Ref. No.	Part No.	Description	Spec Code	Quantity-ZX1000			
				'06	'07		
				D6F	D7F		
92210	92210-0121	NUT,8MM		3	3		
92210A	92210-0173	NUT,8MM		8	8		
120	120Z0616	BOLT-SOCKET,6X16		6	6		
130	130L0518	BOLT-FLANGED,5X18		1	1		
130A	130L0635	BOLT-FLANGED,6X35		2	2		
411	411S0600	WASHER-PLAIN,6MM		6	6		

This catalog covers:

'06~'07 ZX1000 D6F/D7F Engine

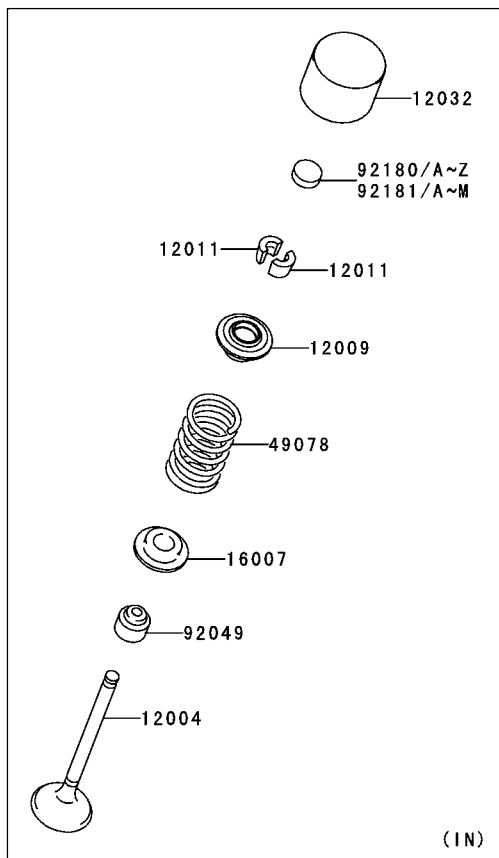
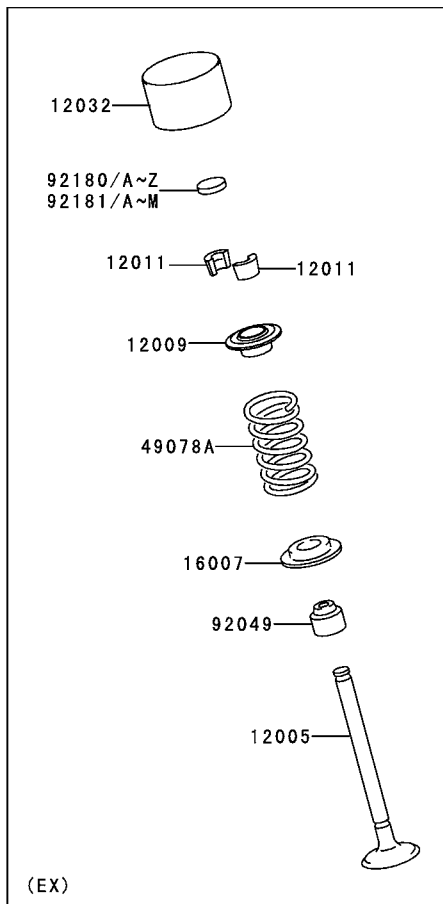
GRID NO.

B-9

This grid covers:

Valve(s)(1/2)

E1210



Ref. No.	Part No.	Description	Spec Code	Quantity-ZX1000			
				'06	'07		
				D6F	D7F		
12004	12004-0019	VALVE-INTAKE	8	8			
12005	12005-0018	VALVE-EXHAUST	8	8			
12009	12009-0010	RETAINER-VALVE SPRING	16	16			
12011	12011-1053	COLLET	32	32			
12032	12032-0002	TAPPET	16	16			
16007	16007-0003	SEAT-SPRING	16	16			
49078	49078-0007	SPRING-ENGINE VALVE,INTAKE	8	8			
49078A	49078-0022	SPRING-ENGINE VALVE,EXHAUST	8	8			
92049	92049-1349	SEAL-OIL,VSB 4.3 7.5 5.3 8.3	16	16			
92180	92180-0108	SHIM,T=1.300	16	16			
92180A	92180-0109	SHIM,T=1.325	AR	AR			
92180B	92180-0110	SHIM,T=1.350	AR	AR			
92180C	92180-0111	SHIM,T=1.375	AR	AR			
92180D	92180-0112	SHIM,T=1.400	AR	AR			
92180E	92180-0113	SHIM,T=1.425	AR	AR			
92180F	92180-0114	SHIM,T=1.450	AR	AR			
92180G	92180-0115	SHIM,T=1.475	AR	AR			
92180H	92180-0116	SHIM,T=1.500	AR	AR			
92180I	92180-0117	SHIM,T=1.525	AR	AR			
92180J	92180-0118	SHIM,T=1.550	AR	AR			
92180K	92180-0119	SHIM,T=1.575	AR	AR			
92180L	92180-0120	SHIM,T=1.600	AR	AR			
92180M	92180-0121	SHIM,T=1.625	AR	AR			
92180N	92180-0122	SHIM,T=1.650	AR	AR			
92180O	92180-0123	SHIM,T=1.675	AR	AR			
92180P	92180-0124	SHIM,T=1.700	AR	AR			
92180Q	92180-0125	SHIM,T=1.725	AR	AR			
92180R	92180-0126	SHIM,T=1.750	AR	AR			
92180S	92180-0127	SHIM,T=1.775	AR	AR			
92180T	92180-0128	SHIM,T=1.800	AR	AR			
92180U	92180-0129	SHIM,T=1.825	AR	AR			
92180V	92180-0130	SHIM,T=1.850	AR	AR			
92180W	92180-0131	SHIM,T=1.875	AR	AR			
92180X	92180-0132	SHIM,T=1.900	AR	AR			
92180Y	92180-0133	SHIM,T=1.925	AR	AR			
92180Z	92180-0134	SHIM,T=1.950	AR	AR			
92181	92180-0135	SHIM,T=1.975	AR	AR			
92181A	92180-0136	SHIM,T=2.000	AR	AR			
92181B	92180-0137	SHIM,T=2.025	AR	AR			
92181C	92180-0138	SHIM,T=2.050	AR	AR			

This catalog covers:

'06~'07 ZX1000 D6F/D7F Engine

GRID NO.

B-10

This grid covers:

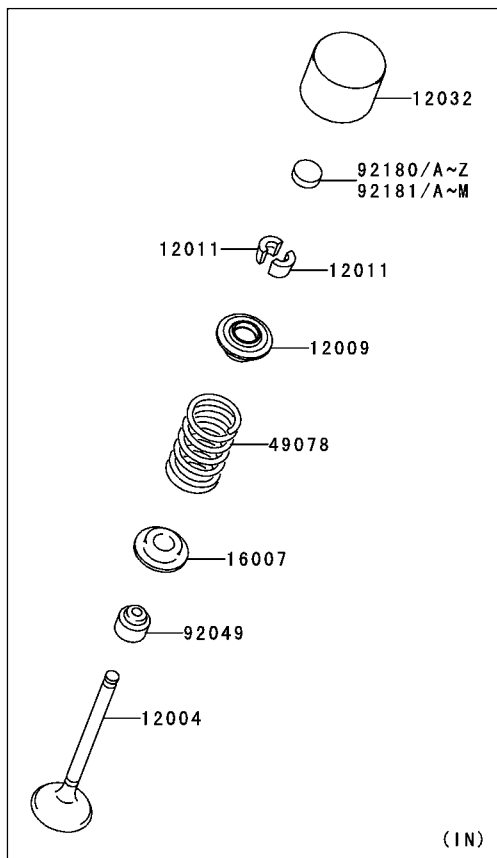
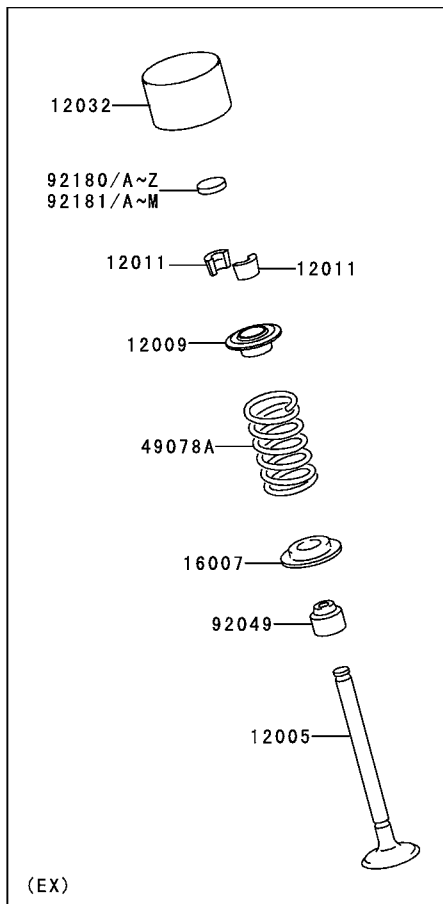
Valve(s)(2/2)

E1210



Ref. No.	Part No.	Description	Spec Code	Quantity-ZX1000			
				'06	'07		
				D6F	D7F		

92181D	92180-0139	SHIM,T=2.075	AR	AR		
92181E	92180-0140	SHIM,T=2.100	AR	AR		
92181F	92180-0141	SHIM,T=2.125	AR	AR		
92181G	92180-0142	SHIM,T=2.150	AR	AR		
92181H	92180-0143	SHIM,T=2.175	AR	AR		
92181I	92180-0144	SHIM,T=2.200	AR	AR		
92181J	92180-0145	SHIM,T=2.225	AR	AR		
92181K	92180-0146	SHIM,T=2.250	AR	AR		
92181L	92180-0147	SHIM,T=2.275	AR	AR		
92181M	92180-0148	SHIM,T=2.300	AR	AR		



This catalog covers:

'06~'07 ZX1000 D6F/D7F Engine

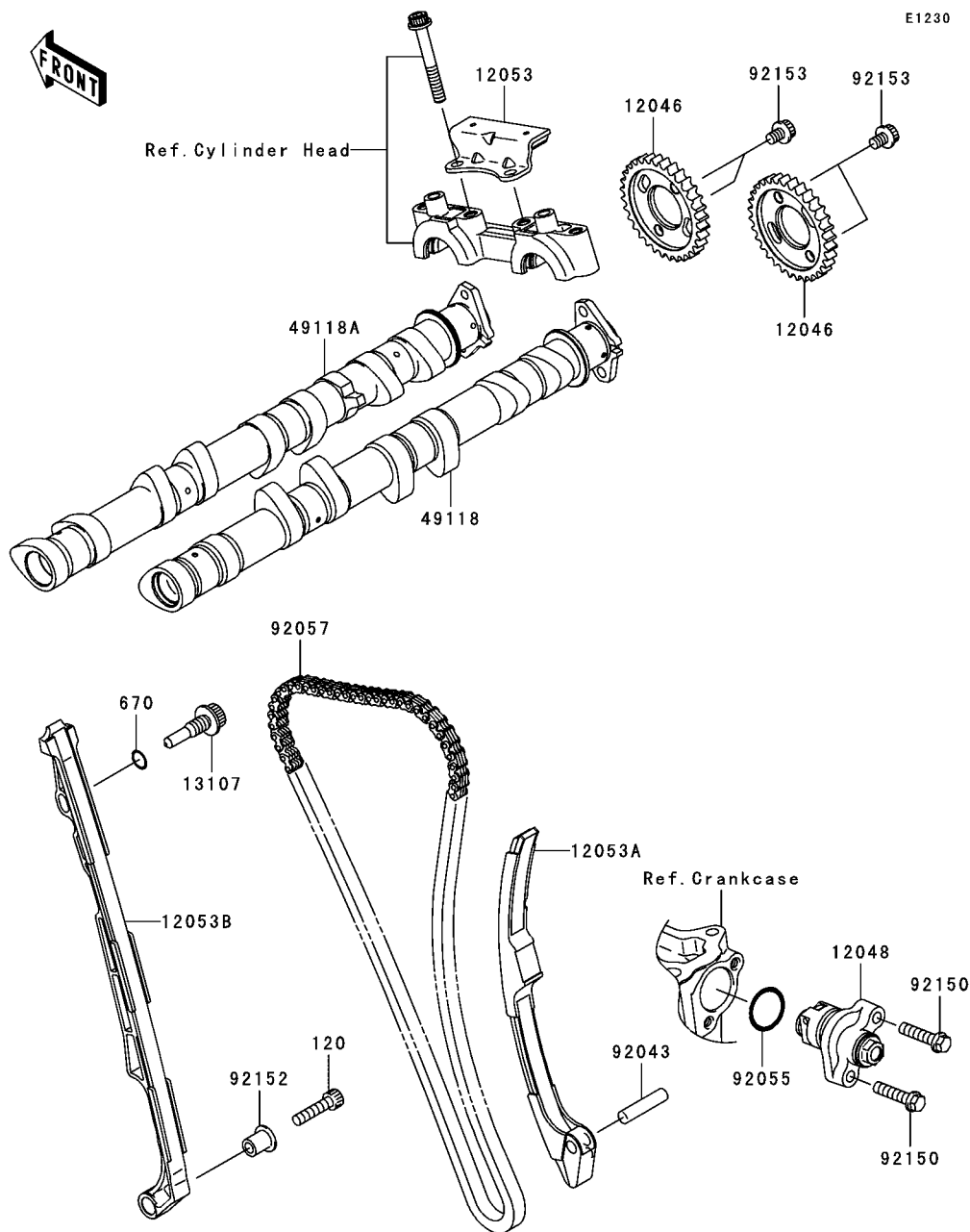
GRID NO.

B-11

This grid covers:

Camshaft(s)/Tensioner

E1230



Ref. No.	Part No.	Description	Spec Code	Quantity-ZX1000			
				'06	'07		
				D6F	D7F		
12046	12046-0049	SPROCKET,32T	2	2			
12048	12048-0030	TENSIONER-ASSY	1	1			
12053	12053-0041	GUIDE-CHAIN,UPP	1	1			
12053A	12053-0050	GUIDE-CHAIN,RR	1	1			
12053B	12053-0062	GUIDE-CHAIN,FR	1	1			
13107	13107-0129	SHAFT	1	1			
49118	49118-0008	CAMSHAFT-COMP,INTAKE	1	1			
49118A	49118-0045	CAMSHAFT-COMP,EXHAUST	1	1			
92043	92043-0062	PIN,7X30.7	1	1			
92055	92055-0053	RING-O,20.8X1.9	1	1			
92057	92057-0085	CHAIN,98XRH2015-124M	1	1			
92150	92150-1779	BOLT,FLANGED-SMALL,6X25	2	2			
92152	92152-0413	COLLAR	1	1			
92153	92153-0455	BOLT,FLANGED,6X8	4	4			
120	120P0625	BOLT-SOCKET,6X25	1	1			
670	670D1509	O RING,9MM	1	1			

This catalog covers:

'06~'07 ZX1000 D6F/D7F Engine

GRID NO.

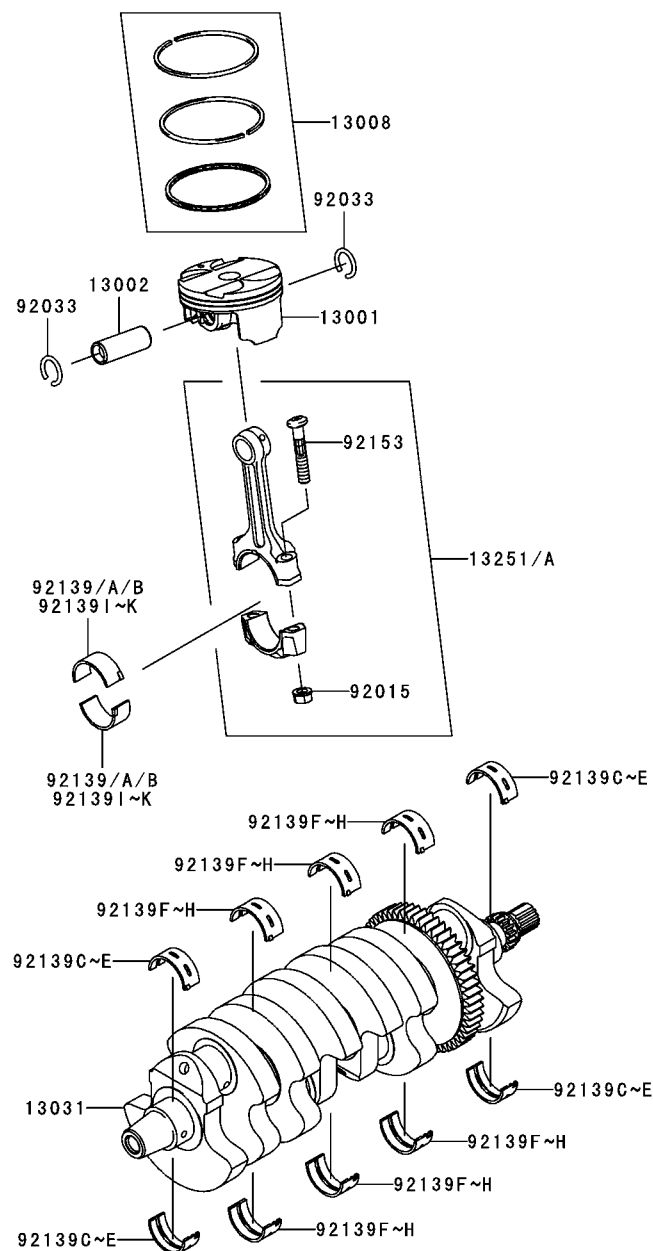
B-12

This grid covers:

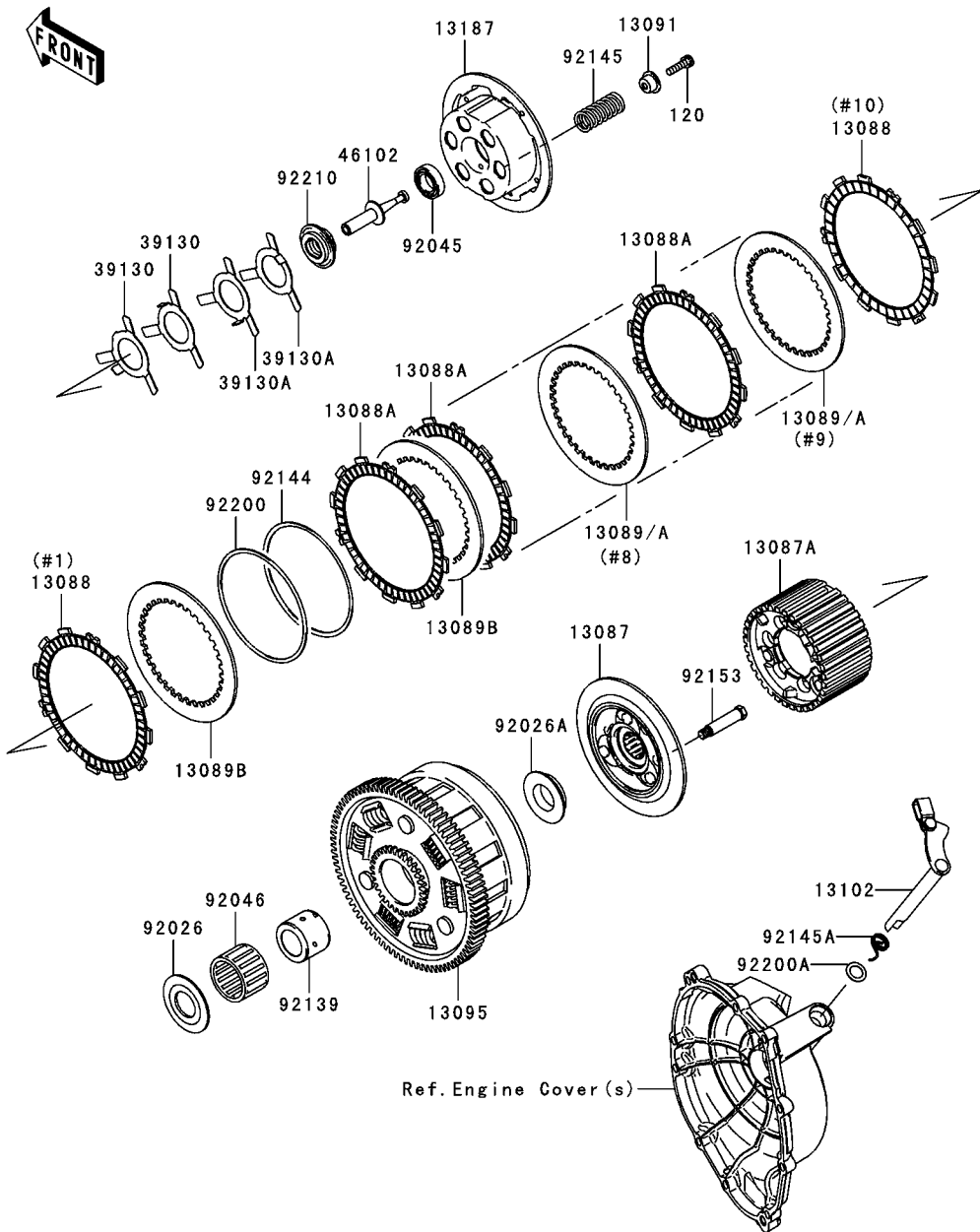
Crankshaft/Piston(s)

E1320

Ref. No.	Part No.	Description	Spec Code	Quantity-ZX1000			
				'06	'07		
				D6F	D7F		
13001	13001-0063	PISTON-ENGINE	4	4			
13002	13002-0004	PIN-PISTON	4	4			
13008	13008-0005	RING-SET-PISTON	4	4			
13031	13031-0083	CRANKSHAFT-COMP	1	1			
13251	13251-0019-II	ROD-ASSY-CONNECTING,II	AR				
13251A	13251-0023-I	ROD-ASSY-CONNECTING,I		AR			
92015	92015-1311	NUT,FLANGED,8MM	8	8			
92033	92033-1054	RING-SNAP	8	8			
92139	92139-0026	BUSHING,CRANK PIN,BLUE	AR				
92139A	92139-0027	BUSHING,CRANK PIN,BLACK	8				
92139B	92139-0028	BUSHING,CRANK PIN,BROWN	AR				
92139C	92139-0029	BUSHING,CRANK #1,BLUE	AR	AR			
92139D	92139-0030	BUSHING,CRANK #1,BLACK	4	4			
92139E	92139-0031	BUSHING,CRANK #1,BROWN	AR	AR			
92139F	92139-0032	BUSHING,CRANK #2,BLUE	AR	AR			
92139G	92139-0033	BUSHING,CRANK #2,BLACK	6	6			
92139H	92139-0034	BUSHING,CRANK #2,BROWN	AR	AR			
92139I	92139-0122	BUSHING,CRANK PIN,BLUE		AR			
92139J	92139-0123	BUSHING,CRANK PIN,BLACK		8			
92139K	92139-0124	BUSHING,CRANK PIN,BROWN		AR			
92153	92153-0809	BOLT,CON-ROD,M8X45.5	8	8			



E1350



Ref. No.	Part No.	Description	Spec Code	Quantity-ZX1000			
				'06	'07		
				D6F	D7F		
13087	13087-0010	HUB-CLUTCH		1	1		
13087A	13087-0011	HUB-CLUTCH		1	1		
13088	13088-0003	PLATE-FRICTION		2	2		
13088A	13088-0013	PLATE-FRICTION		8	8		
13089	13089-0008	PLATE-CLUTCH,T=2.3		AR	AR		
13089A	13089-0009	PLATE-CLUTCH,T=2.6		2	2		
13089B	13089-1093	PLATE-CLUTCH,T=2.9		7	7		
13091	13091-1840	HOLDER,CLUTCH SPRING		6	6		
13095	13095-0073	HOUSING-COMP-CLUTCH		1	1		
13102	13102-0018	RELEASE-COMP-CLUTCH		1	1		
13187	13187-0006	PLATE-CLUTCH OPERATING		1	1		
39130	39130-1078	SPRING-LEAF		2	2		
39130A	39130-1079	SPRING-LEAF		2	2		
46102	46102-0047	ROD		1	1		
92026	92026-0029	SPACER		1	1		
92026A	92026-0037	SPACER		1	1		
92045	92045-1053	BEARING-BALL,6903/2A		1	1		
92046	92046-1263	BEARING-NEEDLE,K38X43X28.8X		1	1		
92139	92139-0067	BUSHING,25X38X29.05		1	1		
92144	92144-1854	SPRING,FRICTION PLATE		1	1		
92145	92145-0220	SPRING,CLUTCH		6	6		
92145A	92145-0325	SPRING,RELEASE-COMP		1	1		
92153	92153-0797	BOLT		6	6		
92200	92200-1260	WASHER,FRICTION PLATE		1	1		
92200A	92200-1487	WASHER,12X18.5X0.5		1	1		
92210	92210-0152	NUT		1	1		
120	120Q0620	BOLT-SOCKET,6X20		6	6		

This catalog covers:

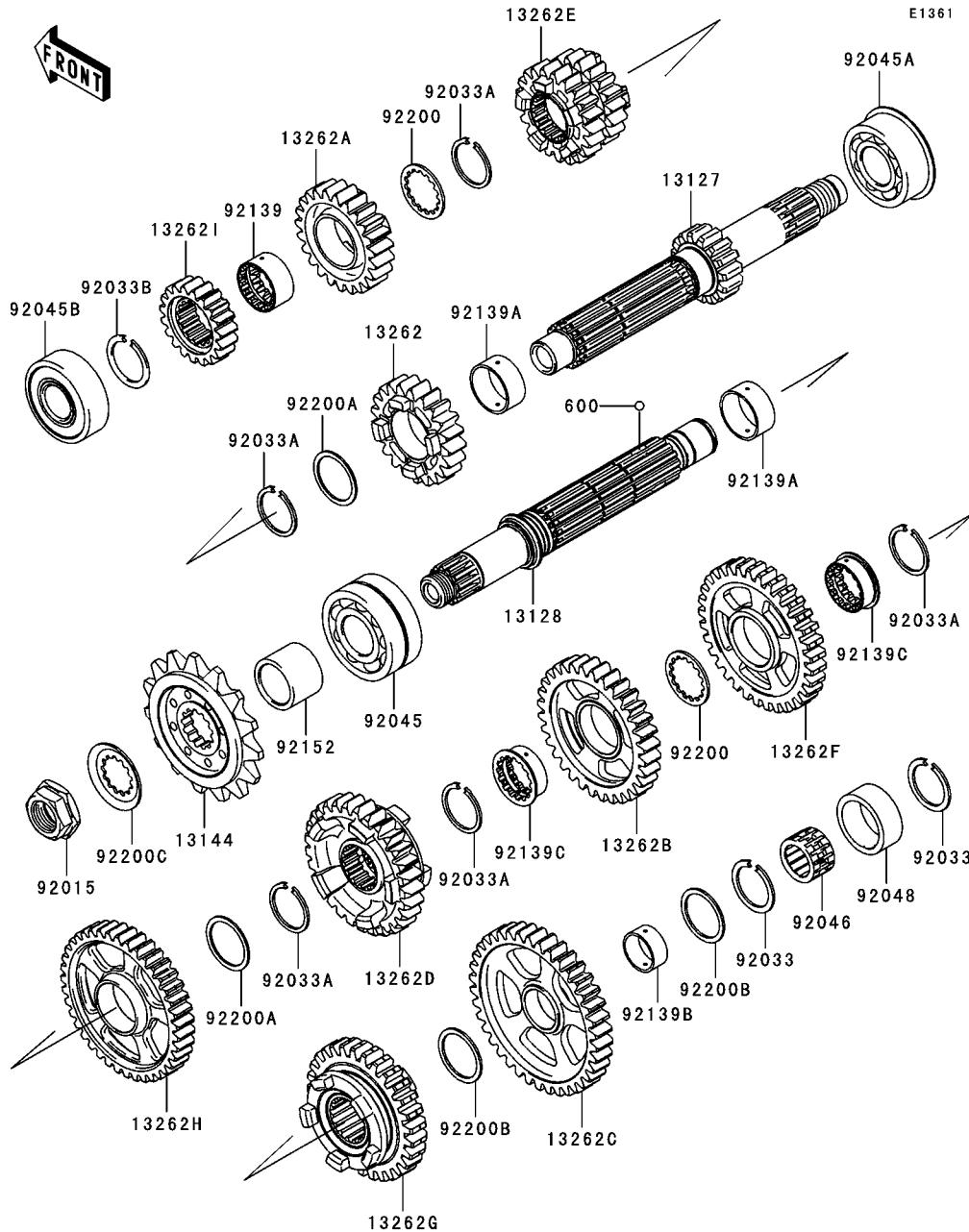
'06~'07 ZX1000 D6F/D7F Engine

GRID NO.

B-14

This grid covers:

Transmission



Ref. No.	Part No.	Description	Spec Code	Quantity-ZX1000	
				'06	'07
				D6F	D7F
13127	13127-0027	SHAFT-TRANSMISSION INPUT,15T		1	1
13128	13128-0019	SHAFT-TRANSMISSION OUTPUT,13T		1	1
13144	13144-0004	SPROCKET-OUTPUT,17T,#525		1	1
13262	13262-0135	GEAR,INPUT 5TH,21T		1	1
13262A	13262-0136	GEAR,INPUT 6TH,23T		1	1
13262B	13262-0166	GEAR,OUTPUT 4TH,32T		1	1
13262C	13262-0170	GEAR,OUTPUT LOW,38T		1	1
13262D	13262-0171	GEAR,OUTPUT 6TH,30T		1	1
13262E	13262-0288	GEAR,INPUT 3RD&4TH,19T&21T		1	1
13262F	13262-0291	GEAR,OUTPUT 3RD,33T		1	1
13262G	13262-0293	GEAR,OUTPUT 5TH,29T		1	1
13262H	13262-0349	GEAR,OUTPUT 2ND,39T		1	1
13262I	13262-0350	GEAR,INPUT 2ND,19T		1	1
92015	92015-1963	NUT,20MM		1	1
92033	92033-025	RING-SNAP,20X25.5X1.2		2	2
92033A	92033-1037	RING-SNAP,25.9X30.6X1.2		5	5
92033B	92033-1249	RING-SNAP,T=1.5		1	1
92045	92045-0003	BEARING-BALL,DAC2557NSSH		1	1
92045A	92045-0014	BEARING-BALL,5205N6RSH2CS6		1	1
92045B	92045-0048	BEARING-BALL,DG2152RDDSH2		1	1
92046	92046-1291	BEARING-NEEDLE		1	1
92048	92048-1053	RACE,30X38X15		1	1
92139	92139-0036	BUSHING,GEAR,6TH IN		1	1
92139A	92139-0037	BUSHING,GEAR,5TH IN&2ND OUT		2	2
92139B	92139-0038	BUSHING,GEAR,LOW OUT		1	1
92139C	92139-0066	BUSHING,GEAR,3RD&4TH OUT		2	2
92152	92152-0153	COLLAR		1	1
92200	92200-0050	WASHER,28.3X34.0X1.6		2	2
92200A	92200-0051	WASHER,28.1X34.0X1.2		2	2
92200B	92200-0138	WASHER		2	2
92200C	92200-1065	WASHER		1	1
600	600A0500	BALL-STEEL,5/32"		3	3

This catalog covers:

'06~'07 ZX1000 D6F/D7F Engine

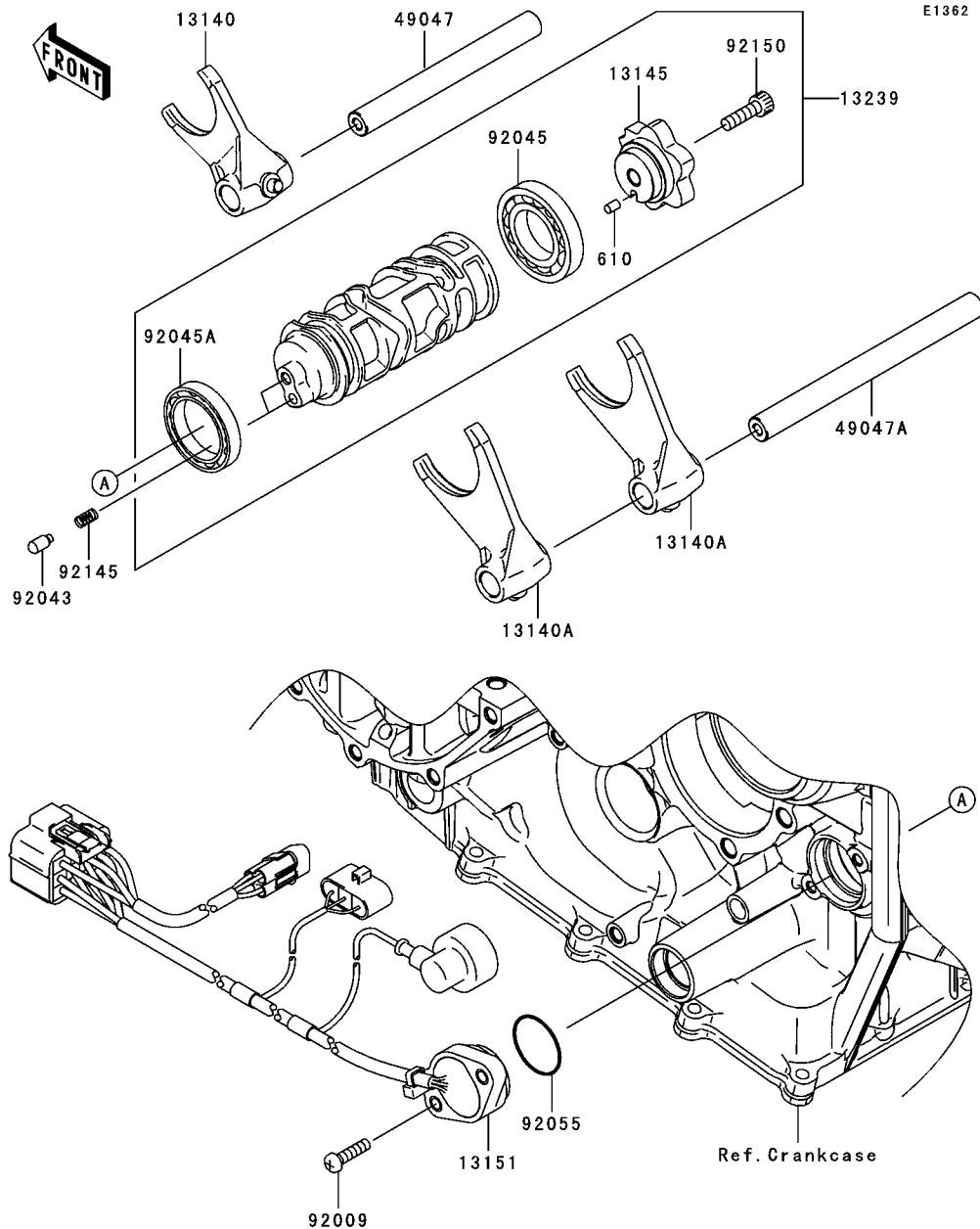
GRID NO.

C-3

This grid covers:

Gear Change Drum/Shift Fork(s)

E1362



Ref. No.	Part No.	Description	Spec Code	Quantity-ZX1000			
				'06	'07		
				D6F	D7F		
13140	13140-0027	FORK-SHIFT,INPUT	1	1			
13140A	13140-0028	FORK-SHIFT,OUTPUT	2	2			
13145	13145-0019	CAM-CHANGE DRUM	1	1			
13151	13151-0017	SWITCH-COMP,NEUTRAL	1	1			
13239	13239-0016	DRUM-ASSY-CHANGE	1	1			
49047	49047-0021	ROD-SHIFT,INPUT	1	1			
49047A	49047-0022	ROD-SHIFT,OUTPUT	1	1			
92009	92009-1905	SCREW,PAN-WP-CROS,5X20	2	2			
92043	92043-1654	PIN	2	2			
92045	92045-1045	BEARING-BALL,16005(NTN)	1	1			
92045A	92045-1152	BEARING-BALL,6806	1	1			
92055	92055-091	RING-O	1	1			
92145	92145-1414	SPRING	2	2			
92150	92150-1880	BOLT,SOCKET,6X20	1	1			
610	610A0406	ROLLER,4X6	1	1			

This catalog covers:

'06~'07 ZX1000 D6F/D7F Engine

GRID NO.

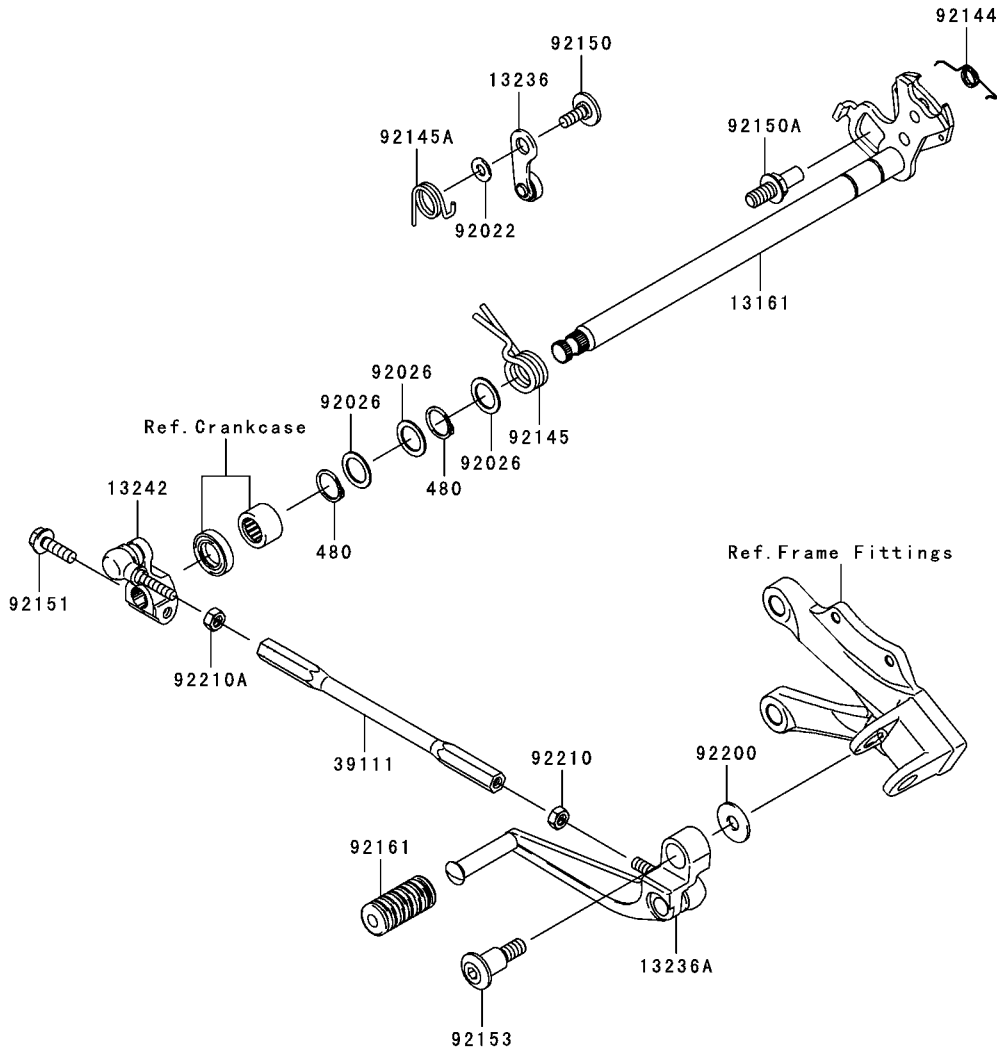
C-4

This grid covers:

Gear Change Mechanism



E1370



Ref. No.	Part No.	Description	Quantity-ZX1000			
			'06	'07		
			D6F	D7F		
13161	13161-0036	LEVER-COMP-CHANGE SHAFT	1	1		
13236	13236-0089	LEVER-COMP,POSITION	1	1		
13236A	13236-0091	LEVER-COMP,CHANGE PEDAL	1	1		
13242	13242-0019	LEVER-ASSY-CHANGE	1	1		
39111	39111-1157	ROD-TIE	1	1		
92022	92022-1827	WASHER,6X12.8X1.2	1	1		
92026	92026-1534	SPACER,14X20X1.0	3	3		
92144	92144-1029	SPRING	1	1		
92145	92145-0256	SPRING	1	1		
92145A	92145-0317	SPRING	1	1		
92150	92150-1673	BOLT,SOCKET,6X16	1	1		
92150A	92150-1869	BOLT,RETURN SPRING	1	1		
92151	92151-1226	BOLT,FLANGED,6X20	1	1		
92153	92153-0446	BOLT,SOCKET,M8X15.3X16.7	1	1		
92161	92161-1300	DAMPER,CHANGE PEDAL	1	1		
92200	92200-0174	WASHER,8.0X22.0X1.5	1	1		
92210	92210-1100	NUT,6MM	1	1		
92210A	92210-1101	NUT,LEFT HANDED,6MM	1	1		
480	480J1400	CIRCLIP-TYPE-C,14MM	2	2		

This catalog covers:

'06~'07 ZX1000 D6F/D7F Engine

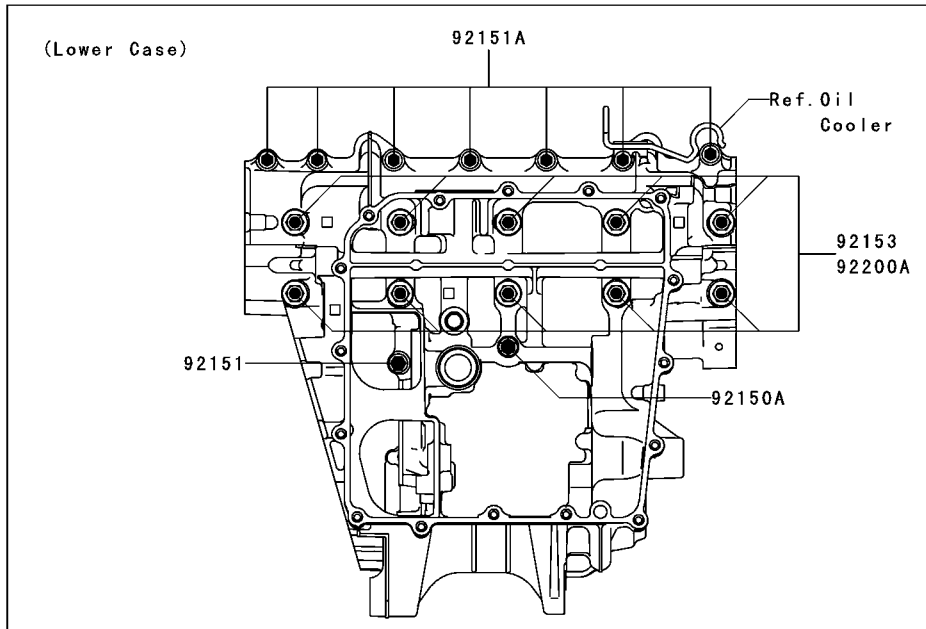
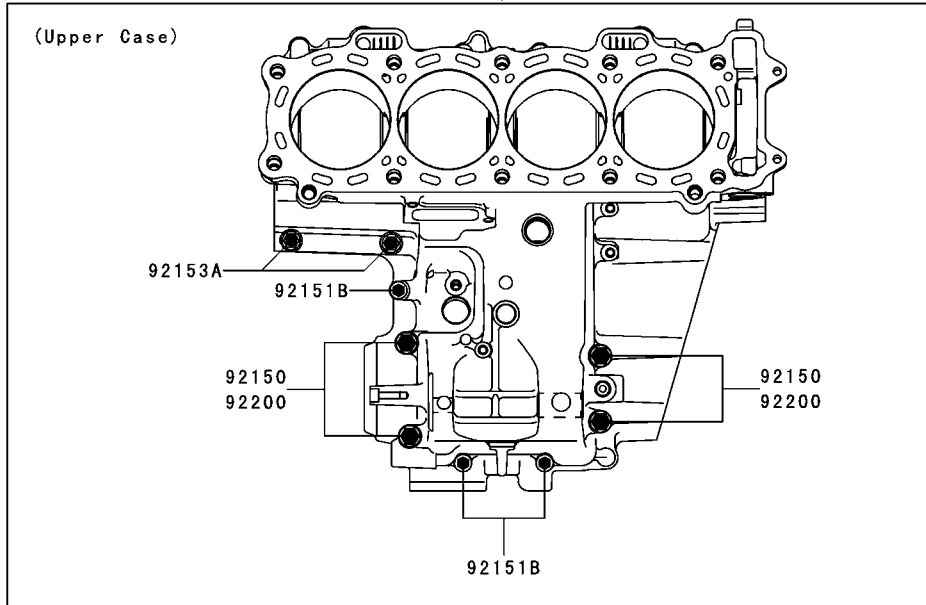
GRID NO.

C-6

This grid covers:

Crankcase Bolt Pattern

E1412



Ref. No.	Part No.	Description	Spec Code	Quantity-ZX1000			
				'06	'07		
				D6F	D7F		
92150	92150-1162	BOLT,8X80	4	4			
92150A	92150-1251	BOLT,FLANGED,7X85	1	1			
92151	92151-1223	BOLT,FLANGED,M7X50	1	1			
92151A	92151-1521	BOLT,6X45	7	7			
92151B	92151-1583	BOLT,FLANGED,6X40	3	3			
92153	92153-0447	BOLT,FLANGED,M9X100	10	10			
92153A	92153-0448	BOLT,FLANGED,M7X32	2	2			
92200	92200-0047	WASHER,8.2X16X1.6	4	4			
92200A	92200-0115	WASHER,9.2X19X23	10	10			

This catalog covers:

'06~'07 ZX1000 D6F/D7F Engine

GRID NO.

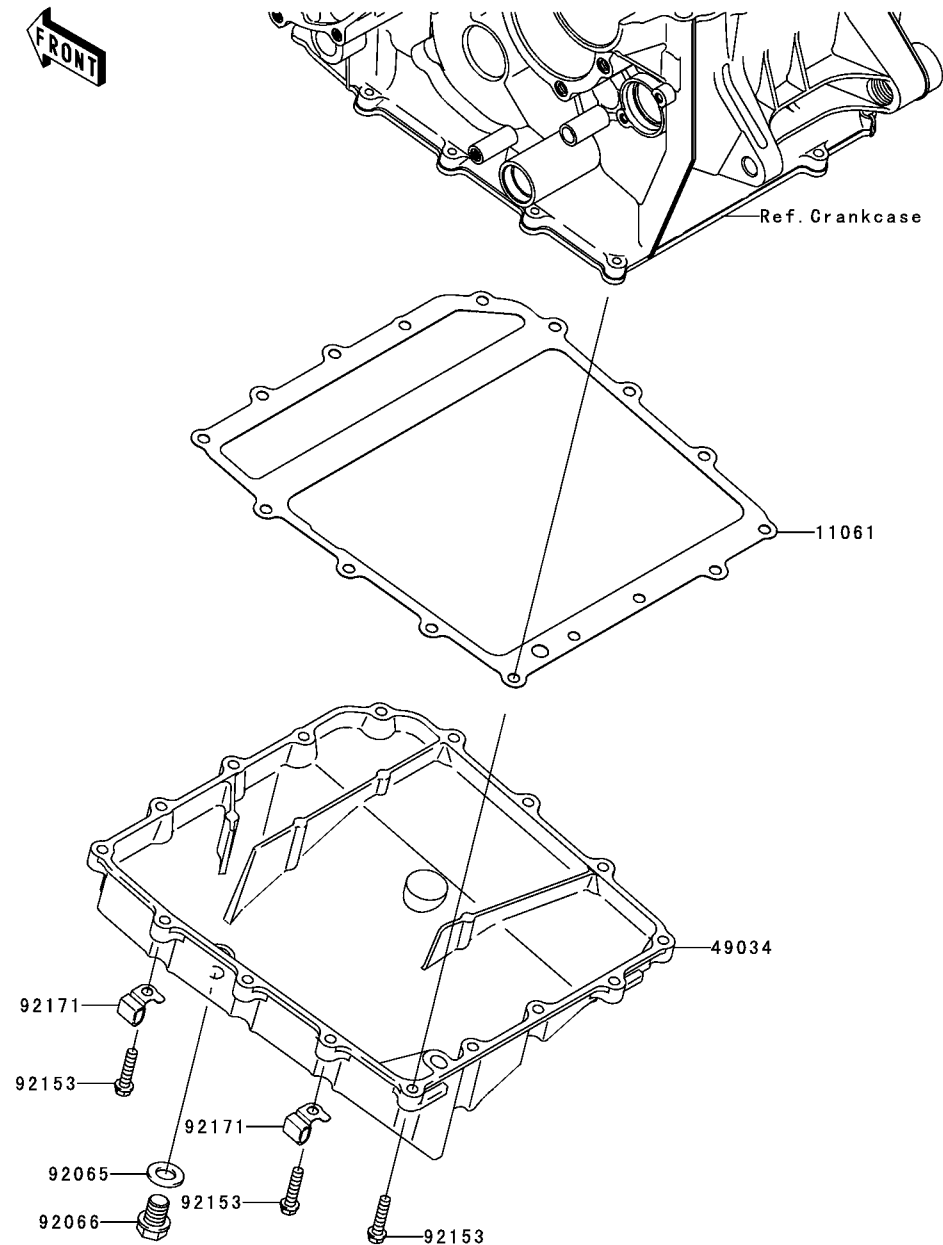
C-8

This grid covers:

Oil Pan

E1434

Ref. No.	Part No.	Description	Spec Code	Quantity-ZX1000			
				'06	'07		
				D6F	D7F		
11061	11061-0180	GASKET,OIL PAN		1	1		
49034	49034-0020	PAN-OIL		1	1		
92065	92065-097	GASKET,12X22X2		1	1		
92066	92066-1174	PLUG,OIL DRAIN,12X15		1	1		
92153	92153-1569	BOLT-FLANGED,6X25		16	16		
92171	92171-0703	CLAMP		2	2		



This catalog covers:

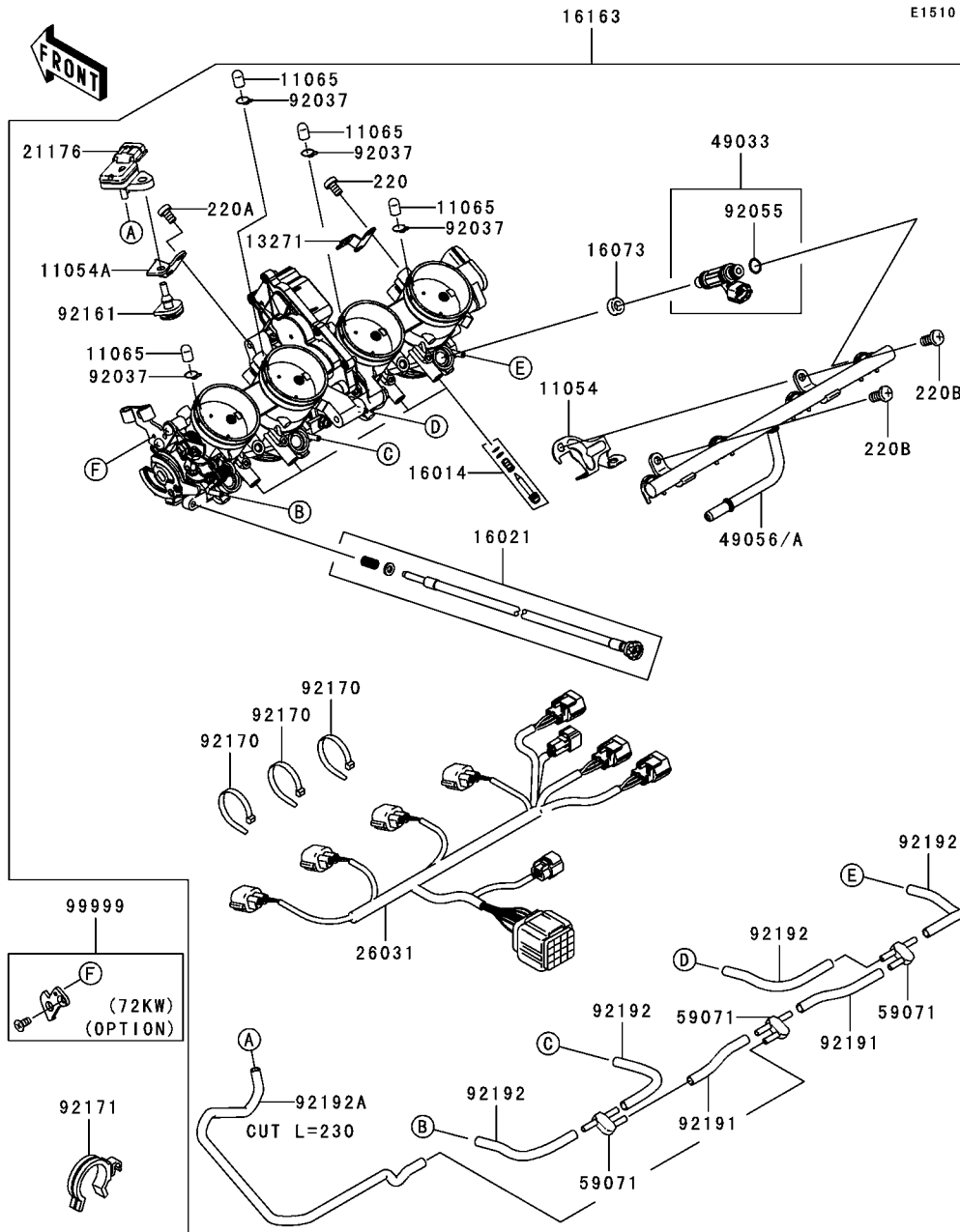
'06~'07 ZX1000 D6F/D7F Engine

GRID NO.

C-9

This grid covers:

Throttle



Ref. No.	Part No.	Description	Quantity-ZX1000			
			'06	'07		
			D6F	D7F		
11054	11054-0554	BRACKET	1	1		
11054A	11054-0556	BRACKET	1	1		
11065	11065-0072	CAP	4	4		
13271	13271-0792	PLATE	1	1		
16014	16014-0005	SCREW-PILOT AIR	4	4		
16021	16021-0007	SCREW-THROTTLE STOP	1	1		
16073	16073-1123	INSULATOR,INJECTER	4	4		
16163	16163-0072	THROTTLE-ASSY	1	1		
21176	21176-0058	SENSOR,PRESSURE	1	1		
26031	26031-0344	HARNESS	1	1		
49033	49033-0010	NOZZLE-INJECTION	4	4		
49056	49056-0013	PIPE-INJECTION	1			
49056A	49056-0017	PIPE-INJECTION		1		
59071	59071-0022	JOINT	3	3		
92037	92037-1124	CLAMP,TUBE	4	4		
92055	92055-1622	RING-O,INJECTION NOZZLE	4	4		
92161	92161-0041	DAMPER	1	1		
92170	92170-3749	CLAMP	3	3		
92171	92171-0359	CLAMP	1	1		
92191	92191-1552	TUBE,3.2X7.4X70	2	2		
92192	92192-0131	TUBE	4	4		
92192A	92192-0351	TUBE	1	1		
99999	99999-0074	KIT,.72KW	1	1		
		(OPTION)				
220	220D0506	SCREW-PAN-CROSS,5X6	2	2		
220A	220D0508	SCREW-PAN-CROS,5X8	2	2		
220B	220D0612	SCREW-PAN-CROSS,6X12	2	2		

This catalog covers:

'06~'07 ZX1000 D6F/D7F Engine

GRID NO.

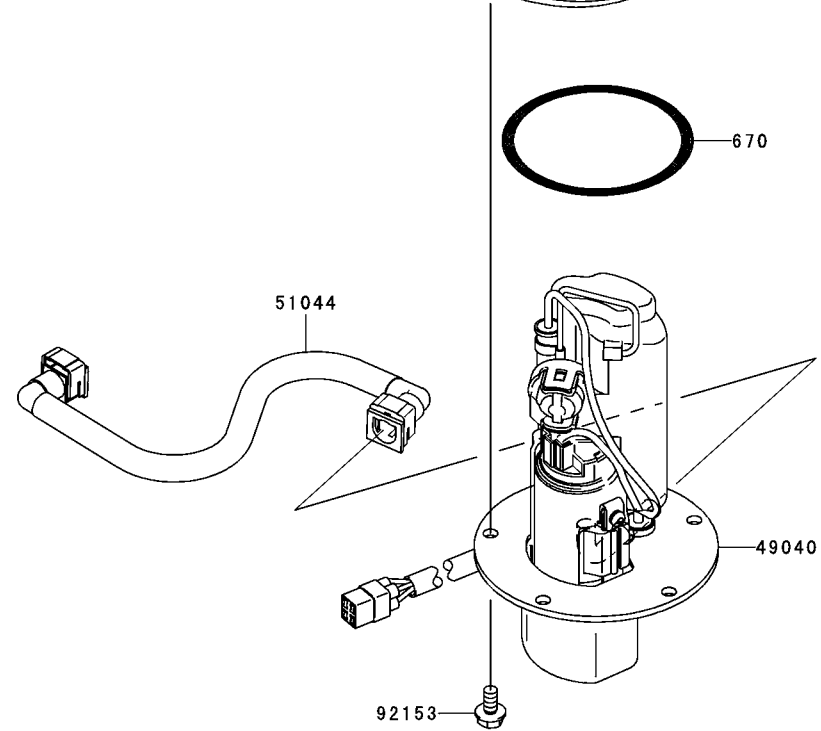
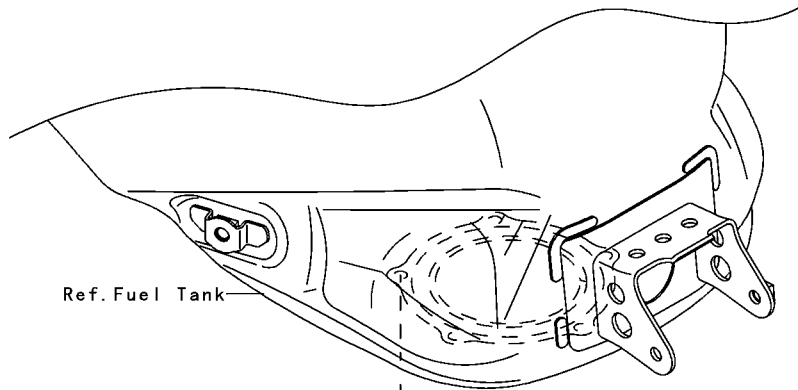
C-10

This grid covers:

Fuel Pump

E1520

Ref. No.	Part No.	Description	Spec Code	Quantity-ZX1000			
				'06	'07		
				D6F	D7F		
49040	49040-0011	PUMP-FUEL		1	1		
51044	51044-0024	TUBE-ASSY		1	1		
92153	92153-1283	BOLT,FLANGED,6X12		5	5		
670	670E5075	O RING		1	1		



This catalog covers:

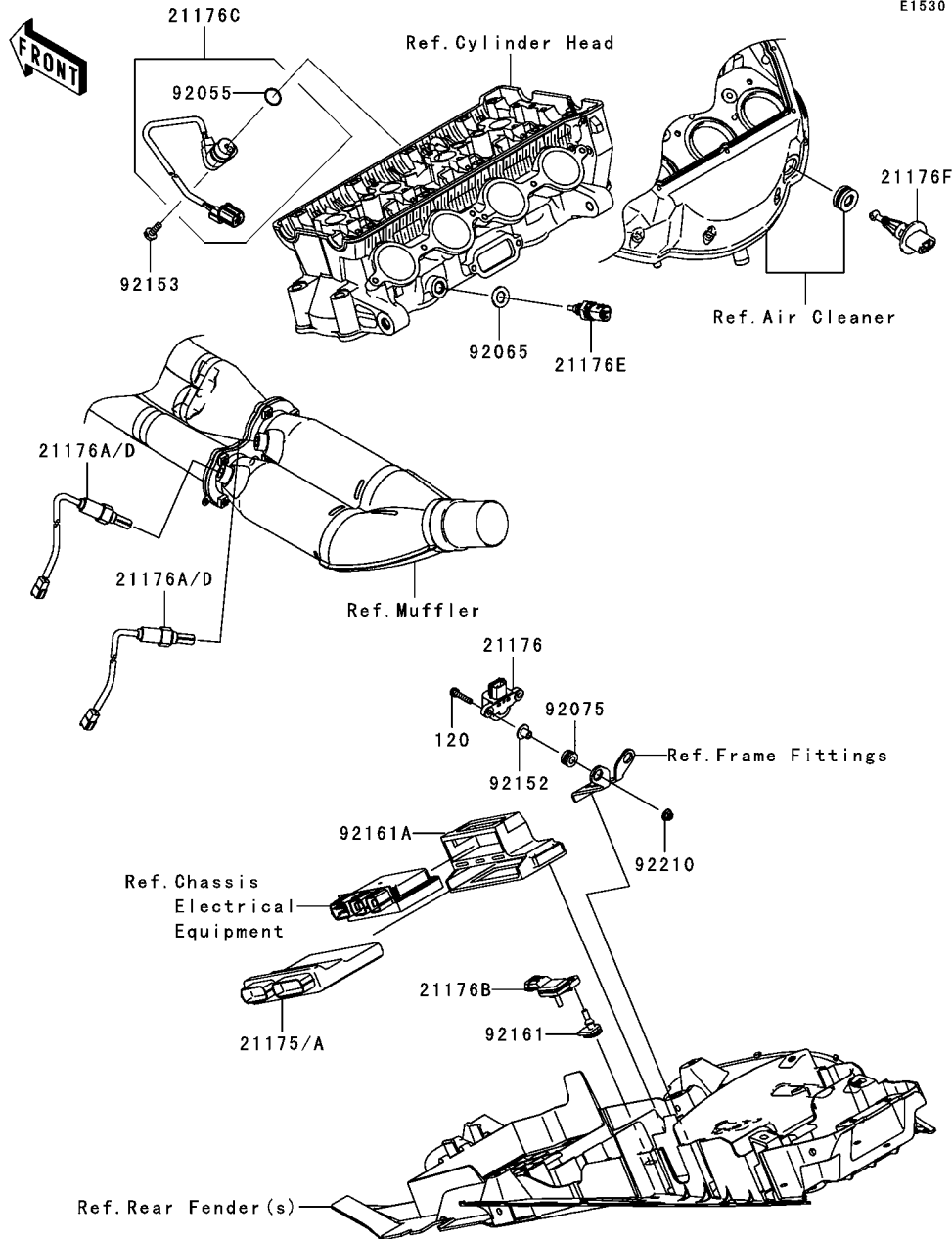
'06~'07 ZX1000 D6F/D7F Engine

GRID NO.

C-11

This grid covers:

Fuel Injection



E1530

Ref. No.	Part No.	Description	Spec Code	Quantity-ZX1000			
				'06	'07		
				D6F	D7F		
21175	21175-0079	CONTROL UNIT-ELECTRONIC					
	L-----	UK,WV	1	1			
21175A	21175-0095	CONTROL UNIT-ELECTRONIC					
	L-----	FR	1	1			
21176	21176-0026	SENSOR,VEHICLE-DOWN					
21176A	21176-0043	SENSOR,OXYGEN					
21176B	21176-0058	SENSOR,PRESSURE					
			1	1			
21176C	21176-0064	SENSOR,CAM					
21176D	21176-0077	SENSOR,OXYGEN					
21176E	21176-1120	SENSOR,WATER TEMP					
21176F	21176-2106	SENSOR,AIR TEMP					
92055	92055-1639	RING-O					
			1	1			
92065	92065-097	GASKET,12X22X2					
92075	92075-1912	DAMPER					
			2	2			
92152	92152-0134	COLLAR					
			2	2			
92153	92153-1584	BOLT-FLANGED,6X16					
			1	1			
92161	92161-0041	DAMPER					
			1	1			
92161A	92161-0288	DAMPER,ECU					
			1	1			
92210	92210-0007	NUT,FLANGED,5MM					
			2	2			
120	120W0522	BOLT-SOCKET,5X22					
			2	2			

This catalog covers:

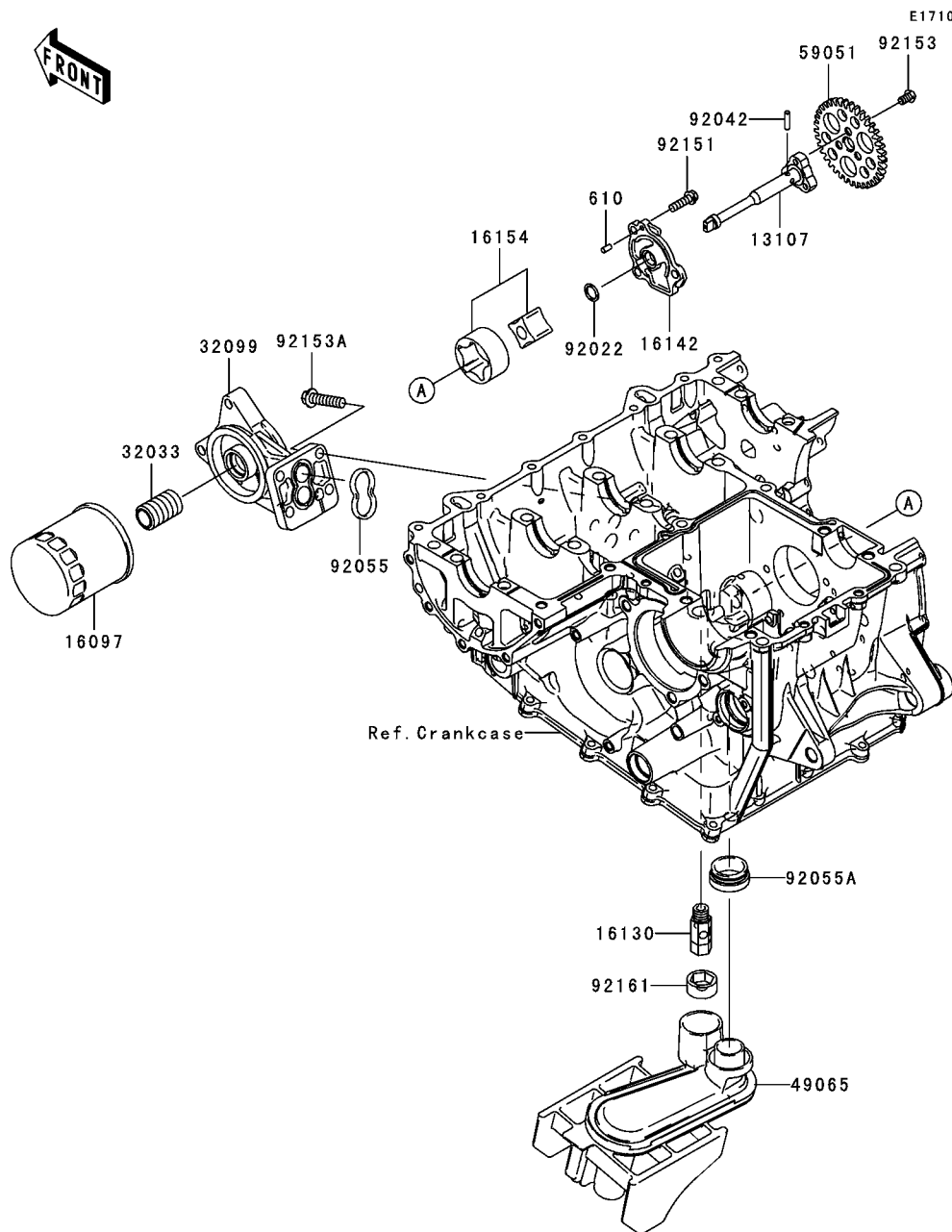
'06~'07 ZX1000 D6F/D7F Engine

GRID NO.

C-12

This grid covers:

Oil Pump



Ref. No.	Part No.	Description	Spec Code	Quantity-ZX1000			
				'06	'07		
				D6F	D7F		
13107	13107-0060	SHAFT		1	1		
16097	16097-0004	FILTER-ASSY-OIL		1	1		
16130	16130-1059	VALVE-ASSY-RELIEF		1	1		
16142	16142-0005	COVER-PUMP		1	1		
16154	16154-1124	ROTOR-PUMP		1	1		
32033	32033-1535	PIPE,OIL FILTER		1	1		
32099	32099-0023	CASE,OIL FILTER		1	1		
49065	49065-0013	FILTER-OIL		1	1		
59051	59051-0038	GEAR-SPUR,37T		1	1		
92022	92022-311	WASHER,11.2X15X1		1	1		
92042	92042-014	PIN,DOWEL,4X15.8		1	1		
92055	92055-0018	RING-O,OIL LINE		1	1		
92055A	92055-1503	RING-O,OIL FILTER		1	1		
92151	92151-1252	BOLT,FLANGED-SMALL,6X20		3	3		
92153	92153-0661	BOLT,TORX,M6X10		3	3		
92153A	92153-1086	BOLT,FLANGED,8X30		4	4		
92161	92161-0070	DAMPER		1	1		
610	610A0408	ROLLER,4X8		1	1		

This catalog covers:

'06~'07 ZX1000 D6F/D7F Engine

GRID NO.

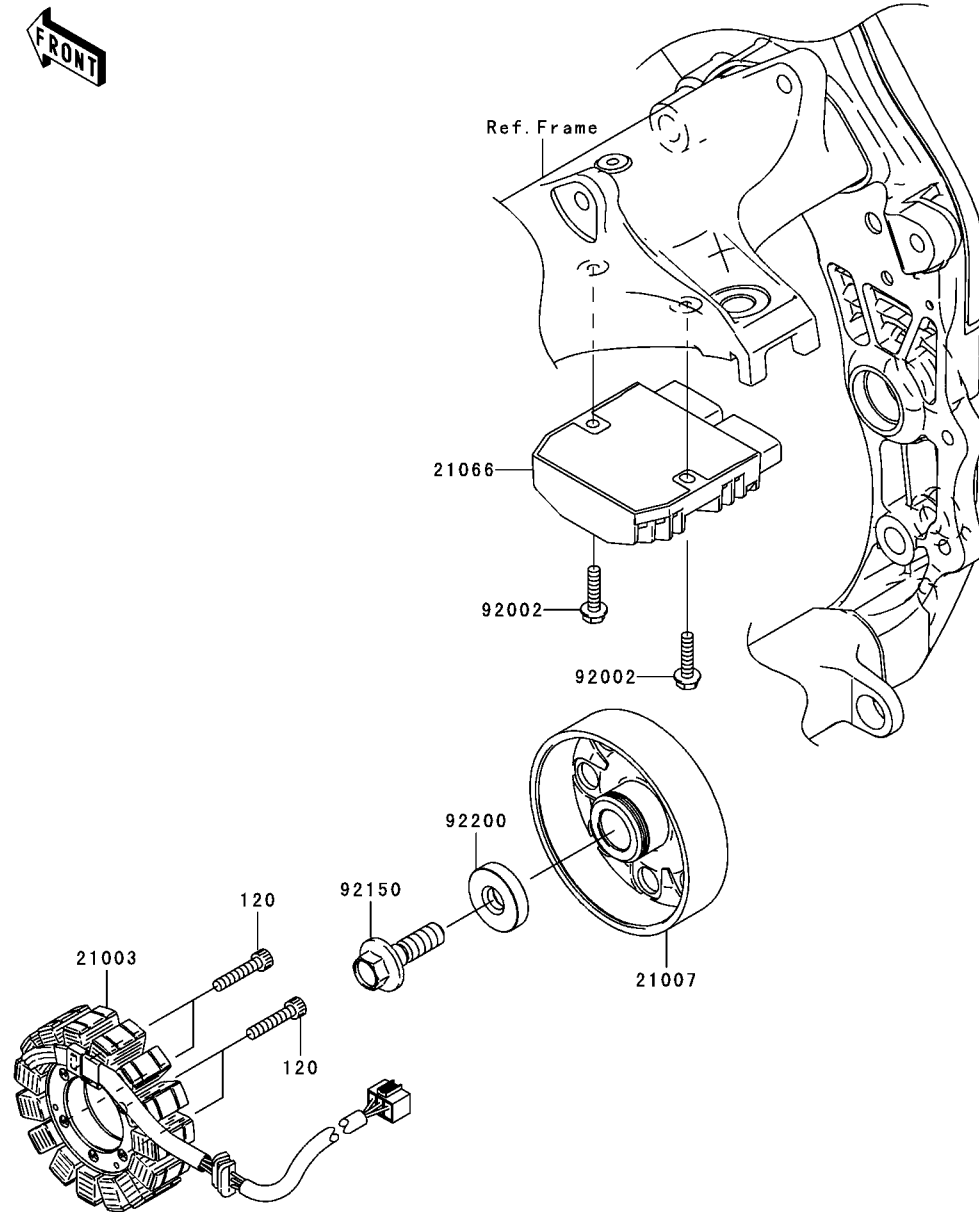
C-13

This grid covers:

Generator



E1810



Ref. No.	Part No.	Description	Spec Code	Quantity-ZX1000			
				'06	'07		
				D6F	D7F		
21003	21003-0054	STATOR		1	1		
21007	21007-0059	ROTOR		1	1		
21066	21066-0008	REGULATOR-VOLTAGE		1	1		
92002	92002-1086	BOLT,FLANGED,6X25		2	2		
92150	92150-1717	BOLT,12X40		1	1		
92200	92200-1249	WASHER		1	1		
120	120P0630	BOLT-SOCKET,6X30		4	4		

This catalog covers:

'06~'07 ZX1000 D6F/D7F Engine

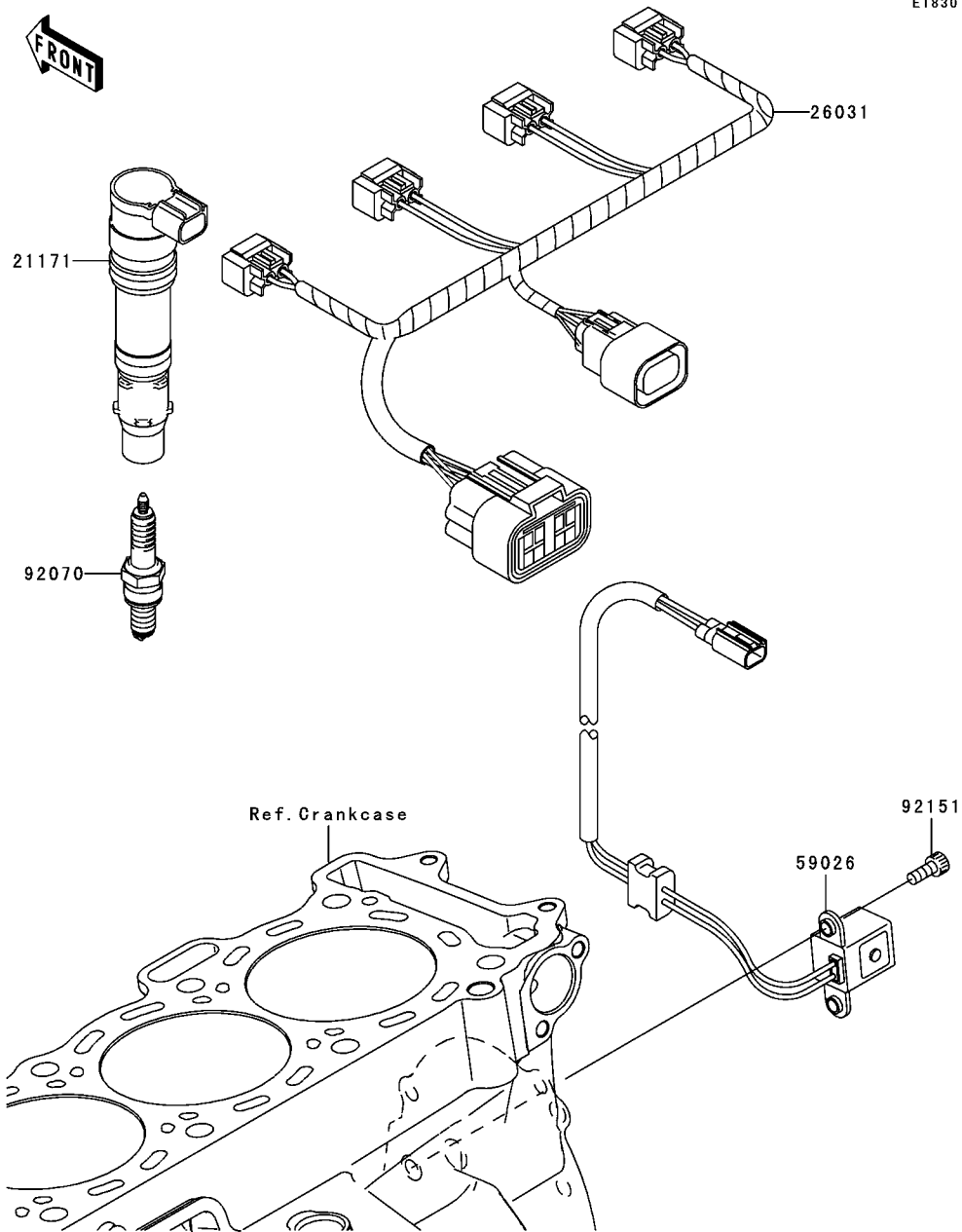
GRID NO.

C-14

This grid covers:

Ignition System

E1830



Ref. No.	Part No.	Description	Spec Code	Quantity-ZX1000			
				'06	'07		
				D6F	D7F		
21171	21171-0005	COIL-ASSY-IGNITION	4	4			
26031	26031-0371	HARNESS	1	1			
59026	59026-0009	COIL-PULSING	1	1			
92070	92070-0014	PLUG-SPARK,CR9EIA(NGK)	AR	AR			
92151	92151-1118	BOLT,SOCKET,5X12	2	2			

This catalog covers:

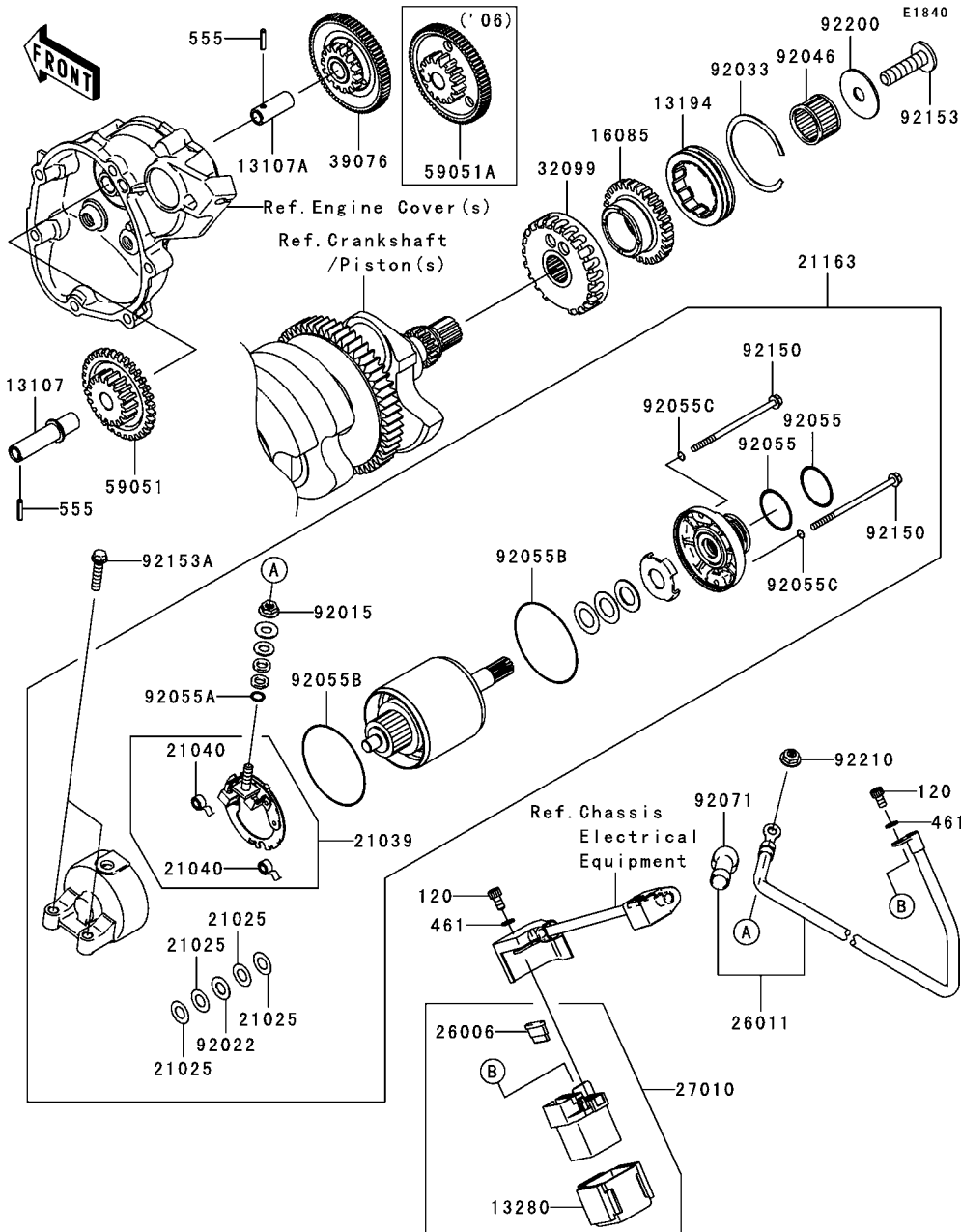
'06~'07 ZX1000 D6F/D7F Engine

GRID NO.

D-3

This grid covers:

Starter Motor



Ref. No.	Part No.	Description	Spec Code	Quantity-ZX1000			
				'06	'07		
				D6F	D7F		
13107	13107-0105	SHAFT,ONEWAY CLUTCH SIDE		1	1		
13107A	13107-0124	SHAFT,STARTER SIDE		1	1		
13194	13194-3704	CLUTCH-ONEWAY		1	1		
13280	13280-1263	HOLDER		1	1		
16085	16085-0102	GEAR,29T		1	1		
21025	21025-011	WASHER,9.1X18X0.2		4	4		
21039	21039-1066	BRUSH		1	1		
21040	21040-1057	SPRING-BRUSH		2	2		
21163	21163-0028	STARTER-ELECTRIC		1	1		
26006	26006-1006	FUSE,30A-G		1	1		
26011	26011-0100	WIRE-LEAD		1	1		
27010	27010-1446	SWITCH,MAGNETIC		1	1		
32099	32099-0019	CASE,STARTER CLUTCH		1	1		
39076	39076-0010	LIMITER			1		
59051	59051-0057	GEAR-SPUR,ONEWAY CLUTCH SIDE		1	1		
59051A	59051-0058	GEAR-SPUR,STARTER SIDE		1			
92015	92015-1476	NUT,STARTER MOTOR		1	1		
92022	92022-1132	WASHER,9.1X18X0.8		1	1		
92033	92033-3731	RING-SNAP		1	1		
92046	92046-0004	BEARING-NEEDLE,RS263020		1	1		
92055	92055-1276	RING-O		2	2		
92055A	92055-1370	RING-O,4.5X2.0		1	1		
92055B	92055-1550	RING-O		2	2		
92055C	92055-1551	RING-O		2	2		
92071	92071-0024	GROMMET		1	1		
92150	92150-1969	BOLT,FLANGED,4X80		2	2		
92153	92153-1521	BOLT,TORX,10X38		1	1		
92153A	92153-1563	BOLT-FLANGED,6X25		2	2		
92200	92200-0238	WASHER,10.5X37X1.6		1	1		
92210	92210-0188	NUT,6MM		1	1		
120	120S0510	BOLT-SOCKET,5X10		2	2		
461	461K0500	WASHER-SPRING,5MM,BLACK		2	2		
555	555A0316	PIN-SPRING,3X16		2	2		

This catalog covers:

'06~'07 ZX1000 D6F/D7F Engine

GRID NO.

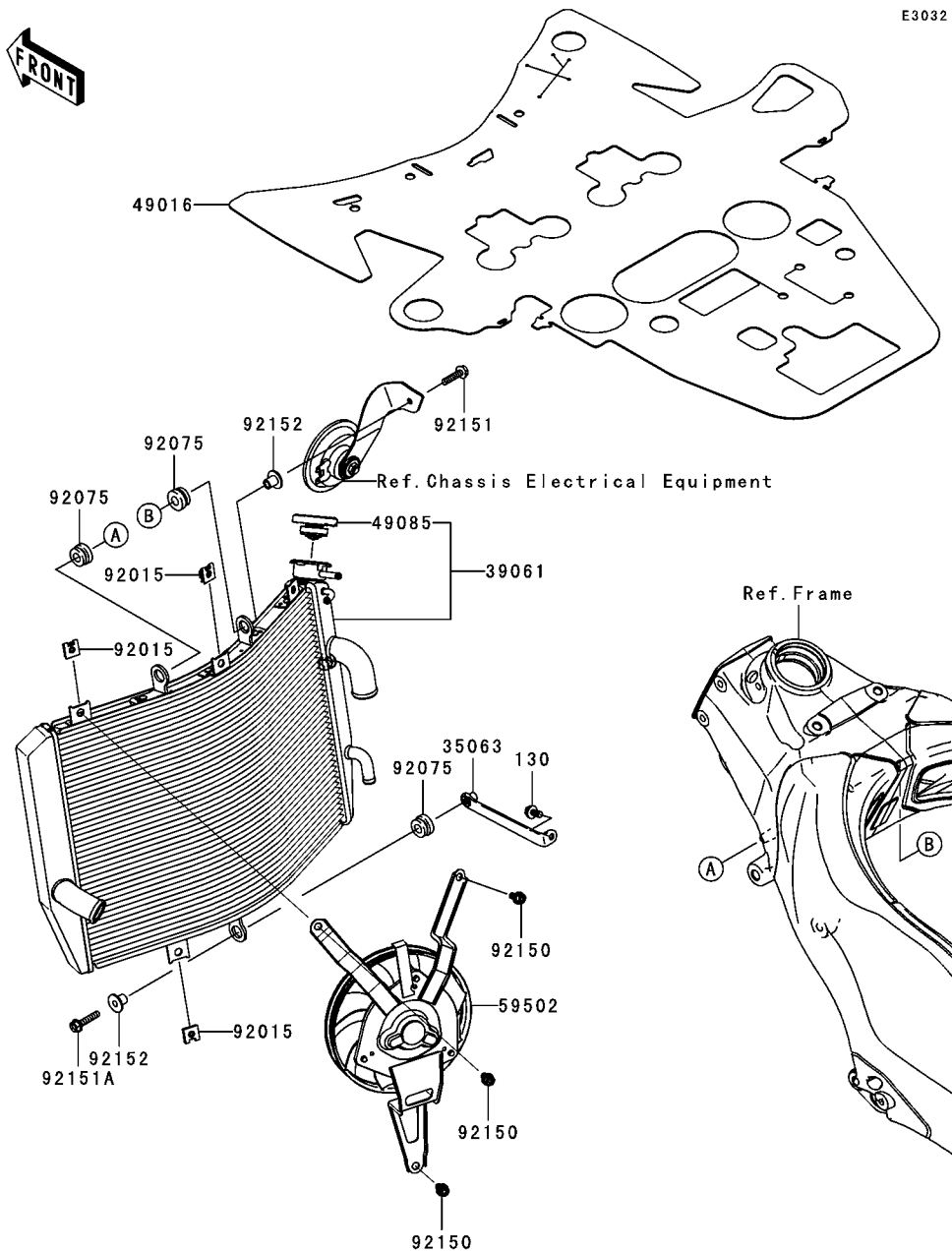
D-4

This grid covers:

Radiator

E3032

Ref. No.	Part No.	Description	Spec Code	Quantity-ZX1000			
				'06	'07		
				D6F	D7F		
35063	35063-0225	STAY,RADIATOR		1	1		
39061	39061-0060	RADIATOR-ASSY		1	1		
49016	49016-0018	COVER-SEAL		1	1		
49085	49085-1066	CAP-ASSY-PRESSURE		1	1		
59502	59502-0020	FAN-ASSY		1	1		
92015	92015-1487	NUT		3	3		
92075	92075-1123	DAMPER,RUBBER		3	3		
92150	92150-1186	BOLT,6X12		3	3		
92151	92151-1225	BOLT,FLANGED,6X25		1	1		
92151A	92151-1228	BOLT,FLANGED,M6X30		1	1		
92152	92152-1074	COLLAR		2	2		
130	130L0614	BOLT-FLANGED,6X14		1	1		



This catalog covers:

'06~'07 ZX1000 D6F/D7F Engine

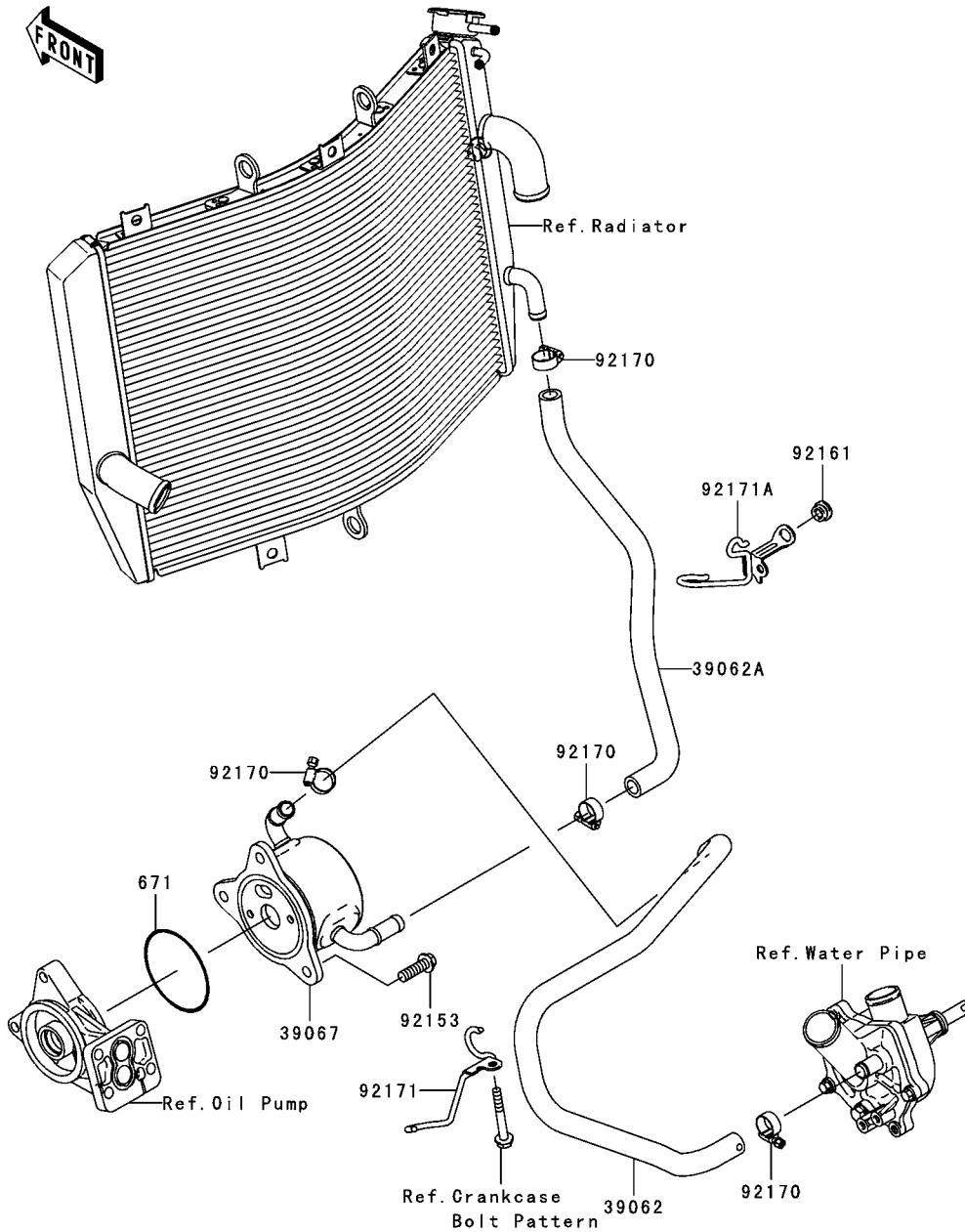
GRID NO.

D-5

This grid covers:

Oil Cooler

E3034



Ref. No.	Part No.	Description	Spec Code	Quantity-ZX1000			
				'06	'07		
				D6F	D7F		
39062	39062-0105	HOSE-COOLING,OIL COOLER-W.PUMP	1	1			
39062A	39062-0106	HOSE-COOLING,RAD.-OIL COOLER	1	1			
39067	39067-0009	COOLER-OIL	1	1			
92153	92153-0564	BOLT,8X25	3	3			
92161	92161-0253	DAMPER	1	1			
92170	92170-3729	CLAMP	4	4			
92171	92171-0723	CLAMP	1	1			
92171A	92171-0724	CLAMP	1	1			
671	671B2565	O RING,65MM	1	1			

This catalog covers:

'06~'07 ZX1000 D6F/D7F Engine

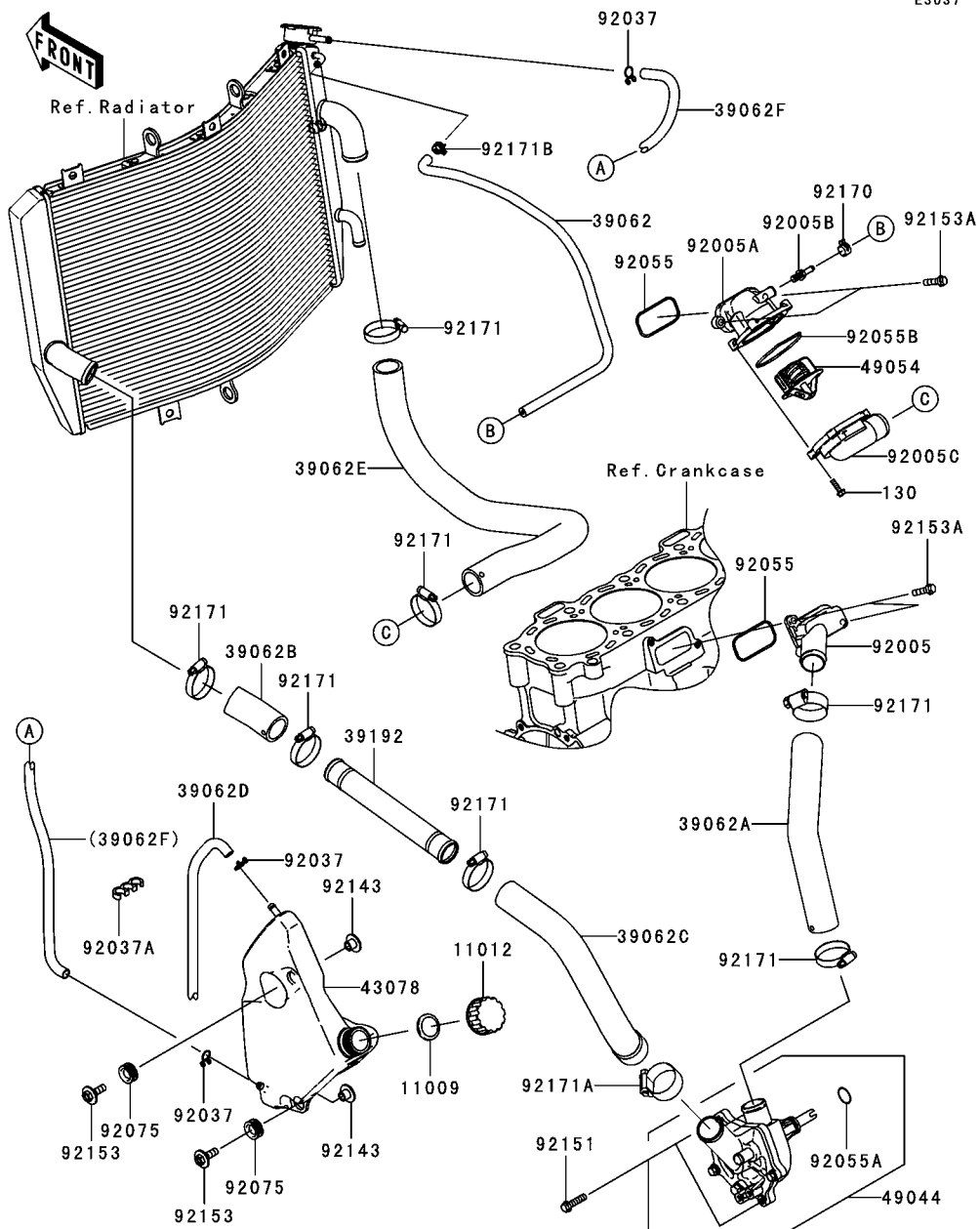
GRID NO.

D-6

This grid covers:

Water Pipe

E3037



Ref. No.	Part No.	Description	Spec Code	Quantity-ZX1000			
				'06	'07		
				D6F	D7F		
11009	11009-1145	GASKET,RESERVOIR TANK CAP	1	1			
11012	11012-1084	CAP	1	1			
39062	39062-0078	HOSE-COOLING,RAD-HEAD	1	1			
39062A	39062-0100	HOSE-COOLING,W.PUMP-CYLINDER	1	1			
39062B	39062-0101	HOSE-COOLING,RAD.-PIPE	1	1			
39062C	39062-0103	HOSE-COOLING,PIPE-W.PUMP	1	1			
39062D	39062-0107	HOSE-COOLING,OVER FLOW	1	1			
39062E	39062-0109	HOSE-COOLING,THERMOSTAT-RAD.	1	1			
39062F	39062-1825	HOSE-COOLING,L=767MM	1	1			
39192	39192-0029	PIPE-WATER	1	1			
43078	43078-0026	RESERVOIR	1	1			
49044	49044-0005	PUMP-WATER	1	1			
49054	49054-1067	THERMOSTAT	1	1			
92005	92005-0010	FITTING	1	1			
92005A	92005-0039	FITTING,THERMO CASE	1	1			
92005B	92005-0056	FITTING	1	1			
92005C	92005-1275	FITTING,THERMO CAP	1	1			
92037	92037-147	CLAMP,TUBE	3	3			
92037A	92037-1941	CLAMP,TUBE	1	1			
92055	92055-0021	RING-O,YP 27.6 57.6 1.9	2	2			
92055A	92055-0069	RING-O	1	1			
92055B	92055-1699	RING-O,THERMOSTAT CAP	1	1			
92075	92075-1634	DAMPER	2	2			
92143	92143-1962	COLLAR	2	2			
92151	92151-1930	BOLT,FLANGED-SMALL,6X25	2	2			
92153	92153-0640	BOLT,UPSET-WP,M6X22	2	2			
92153A	92153-1589	BOLT,FLANGED-SMALL,6X20	4	4			
92170	92170-1493	CLAMP	1	1			
92171	92171-0179	CLAMP,TUBE	7	7			
92171A	92171-0180	CLAMP	1	1			
92171B	92171-0719	CLAMP	1	1			
130	130L0518	BOLT-FLANGED,5X18	4	4			

This catalog covers:

'06~'07 ZX1000 D6F/D7F Chassis

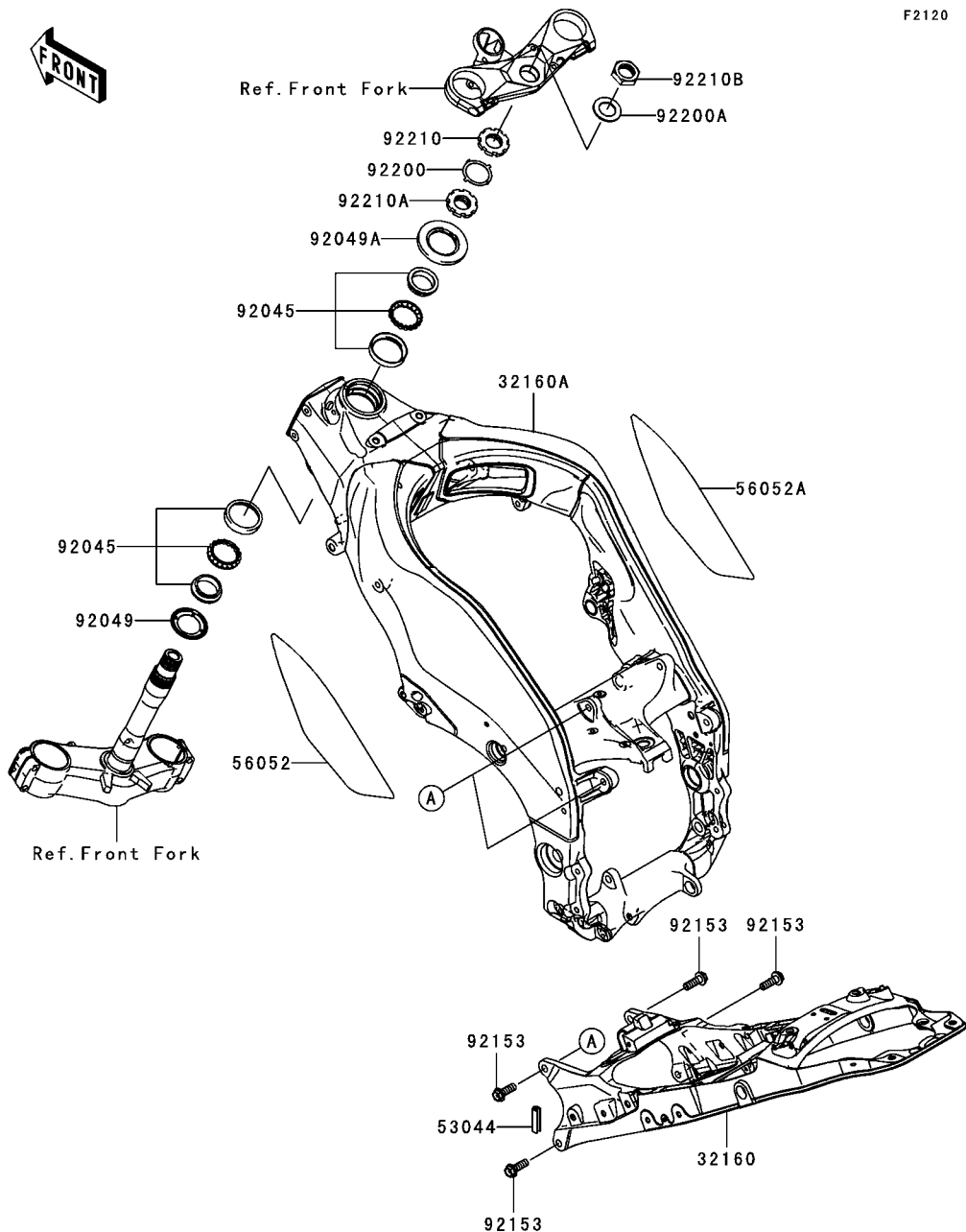
GRID NO.

E-3

This grid covers:

Frame

F2120



Ref. No.	Part No.	Description	Spec Code	Quantity-ZX1000			
				'06	'07		
				D6F	D7F		
32160	32160-0133-11E	FRAME-COMP,RR,F.S.BLACK		1	1		
32160A	32160-0136-11E	FRAME-COMP,FR,F.S.BLACK		1	1		
53044	53044-1174	TRIM,L=40		1	1		
56052	56052-0378	MARK,FRAME OUTER PLATE,LH		1	1		
56052A	56052-0379	MARK,FRAME OUTER PLATE,RH		1	1		
92045	92045-1384	BEARING-BALL,SF07A17PX1V1		2	2		
92049	92049-0022	SEAL-OIL,DS35X55X4		1	1		
92049A	92049-1382	SEAL-OIL,XMH 43 75 6.4J		1	1		
92153	92153-0801	BOLT,FLANGED,10X30		4	4		
92200	92200-0036	WASHER		1	1		
92200A	92200-0110	WASHER,28.5X42X1.6		1	1		
92210	92210-0095	NUT,35MM		1	1		
92210A	92210-0096	NUT,35MM		1	1		
92210B	92210-0097	NUT,28MM		1	1		

This catalog covers:

'06~'07 ZX1000 D6F/D7F Chassis

GRID NO.

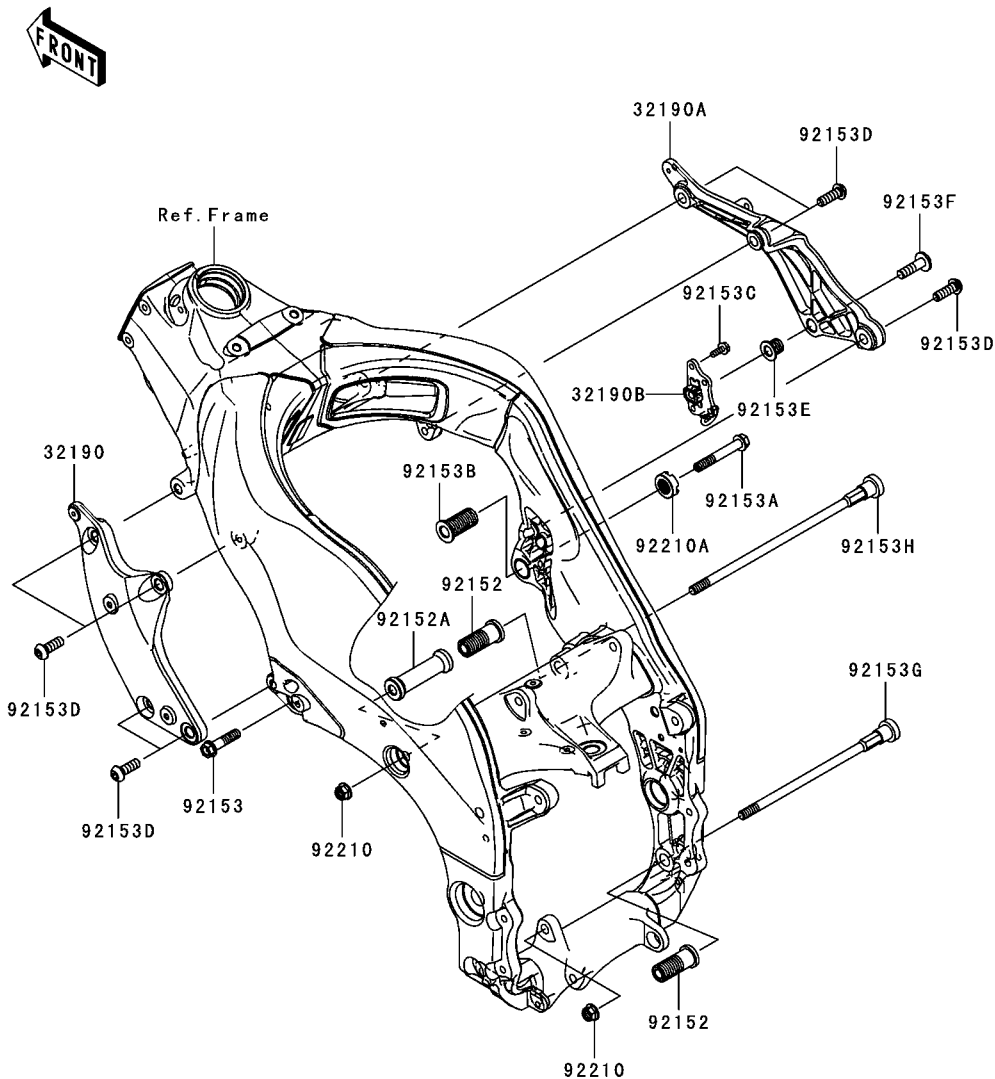
E-4

This grid covers:

Engine Mount

F2122

Ref. No.	Part No.	Description	Spec Code	Quantity-ZX1000			
				'06	'07		
				D6F	D7F		
32190	32190-0196	BRACKET-ENGINE,LH	1	1			
32190A	32190-0197	BRACKET-ENGINE,RH	1	1			
32190B	32190-0211	BRACKET-ENGINE,RH,HEAD	1	1			
92152	92152-0076	COLLAR,ENGINE MOUNT	2	2			
92152A	92152-0096	COLLAR,ENGINE MOUNT	1	1			
92153	92153-0438	BOLT,FLANGED,10X42	1	1			
92153A	92153-0439	BOLT,FLANGED,10X67	1	1			
92153B	92153-0488	BOLT,SOCKET,20X43	1	1			
92153C	92153-0713	BOLT,FLANGED,6X16	4	4			
92153D	92153-1127	BOLT,SOCKET,10X30	7	7			
92153E	92153-1318	BOLT,ENGINE MOUNT	1	1			
92153F	92153-1319	BOLT,ENGINE MOUNT	1	1			
92153G	92153-1328	BOLT,SOCKET,10X227	1	1			
92153H	92153-1329	BOLT,SOCKET,10X279	1	1			
92210	92210-0321	NUT,LOCK,FLANGED,10MM	2	2			
92210A	92210-1365	NUT,20MM	1	1			



This catalog covers:

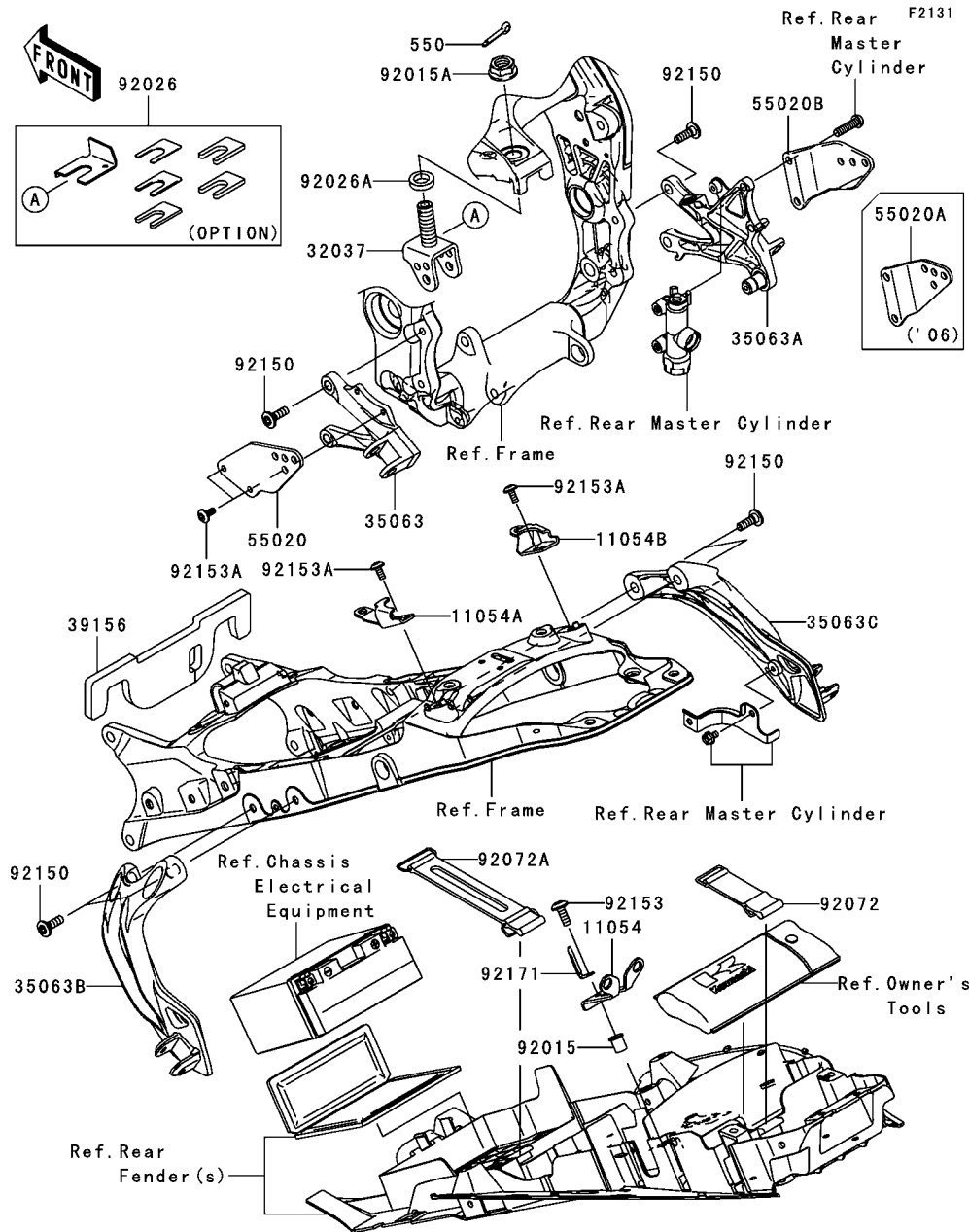
'06~'07 ZX1000 D6F/D7F Chassis

GRID NO.

E-5

This grid covers:

Frame Fittings



Ref. No.	Part No.	Description	Spec Code	Quantity-ZX1000			
				'06	'07		
				D6F	D7F		
11054	11054-0316	BRACKET,DOWN SENSOR	1	1			
11054A	11054-0594	BRACKET,HELMET HOLDER,LH	1	1			
11054B	11054-0595	BRACKET,HELMET HOLDER,RH	1	1			
32037	32037-0013	BRACKET-SHOCKABSORBER	1	1			
35063	35063-0226	STAY,FR,LH	1	1			
35063A	35063-0227	STAY,FR,RH	1	1			
35063B	35063-0228	STAY,RR,LH	1	1			
35063C	35063-0229	STAY,RR,RH	1	1			
39156	39156-0135	PAD,FUEL TANK	1	1			
55020	55020-0204	GUARD,FRONT STEP STAY,LH	1	1			
55020A	55020-0205	GUARD,FRONT STEP STAY,RH	1				
55020B	55020-0296	GUARD,FRONT STEP STAY,RH		1			
92015	92015-1700	NUT	1	1			
92015A	92015-1881	NUT,FLANGED,16MM	1	1			
92026	92026-0057	SPACER,SET (OPTION)	1	1			
92026A	92026-1594	SPACER,16.5X26X6	1	1			
92072	92072-1176	BAND,TOOL	1	1			
92072A	92072-1306	BAND,L=168	1	1			
92150	92150-1845	BOLT,8X25	8	8			
92153	92153-0816	BOLT,6X18	1	1			
92153A	92153-1612	BOLT,SOCKET,6X14	4	4			
92171	92171-1420	CLAMP	1	1			
550	550S3025	PIN-COTTER,3X25	1	1			

This catalog covers:

'06~'07 ZX1000 D6F/D7F Chassis

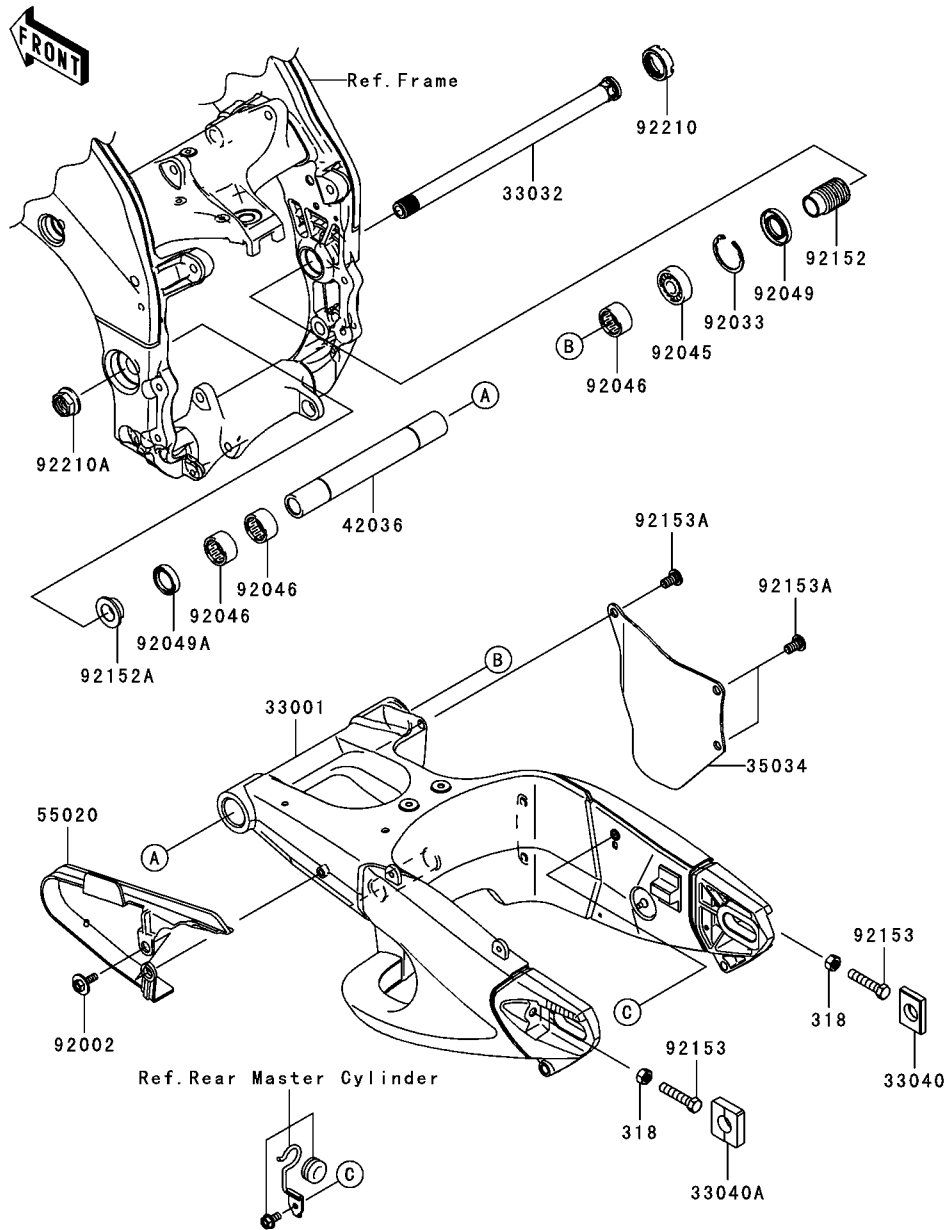
GRID NO.

E-6

This grid covers:

Swingarm

F2141



Ref. No.	Part No.	Description	Spec Code	Quantity-ZX1000			
				'06	'07		
				D6F	D7F		
33001	33001-0071-11E	ARM-COMP-SWING,F.S.BLACK	1	1			
33032	33032-0013	SHAFT-SWING ARM	1	1			
33040	33040-0016	ADJUSTER-CHAIN,RH	1	1			
33040A	33040-1109	ADJUSTER-CHAIN	1	1			
35034	35034-0071-11E	REINFORCE,F.S.BLACK	1	1			
42036	42036-1341	SLEEVE,SWING ARM PIVOT,L=226	1	1			
55020	55020-0201	GUARD,CHAIN	1	1			
92002	92002-1187	BOLT,6X16	1	1			
92033	92033-1041	RING-SNAP,42MM	1	1			
92045	92045-0017	BEARING-BALL,6004UL11	1	1			
92046	92046-0008	BEARING-NEEDLE,7E-HVS 28X34X17	3	3			
92049	92049-1314	SEAL-OIL,MHSA25 42 6	1	1			
92049A	92049-1352	SEAL-OIL,MHSA25X34X7	1	1			
92152	92152-0154	COLLAR,SWING ARM,L=47	1	1			
92152A	92152-0363	COLLAR,SWING ARM,LH,L=12.5	1	1			
92153	92153-0736	BOLT,8X40	2	2			
92153A	92153-1548	BOLT,SOCKET,8X15	3	3			
92210	92210-0134	NUT,30MM	1	1			
92210A	92210-0320	NUT,FLANGED,20MM	1	1			
318	318L0800	NUT-HEX-SMALL	2	2			

This catalog covers:

'06~'07 ZX1000 D6F/D7F Chassis

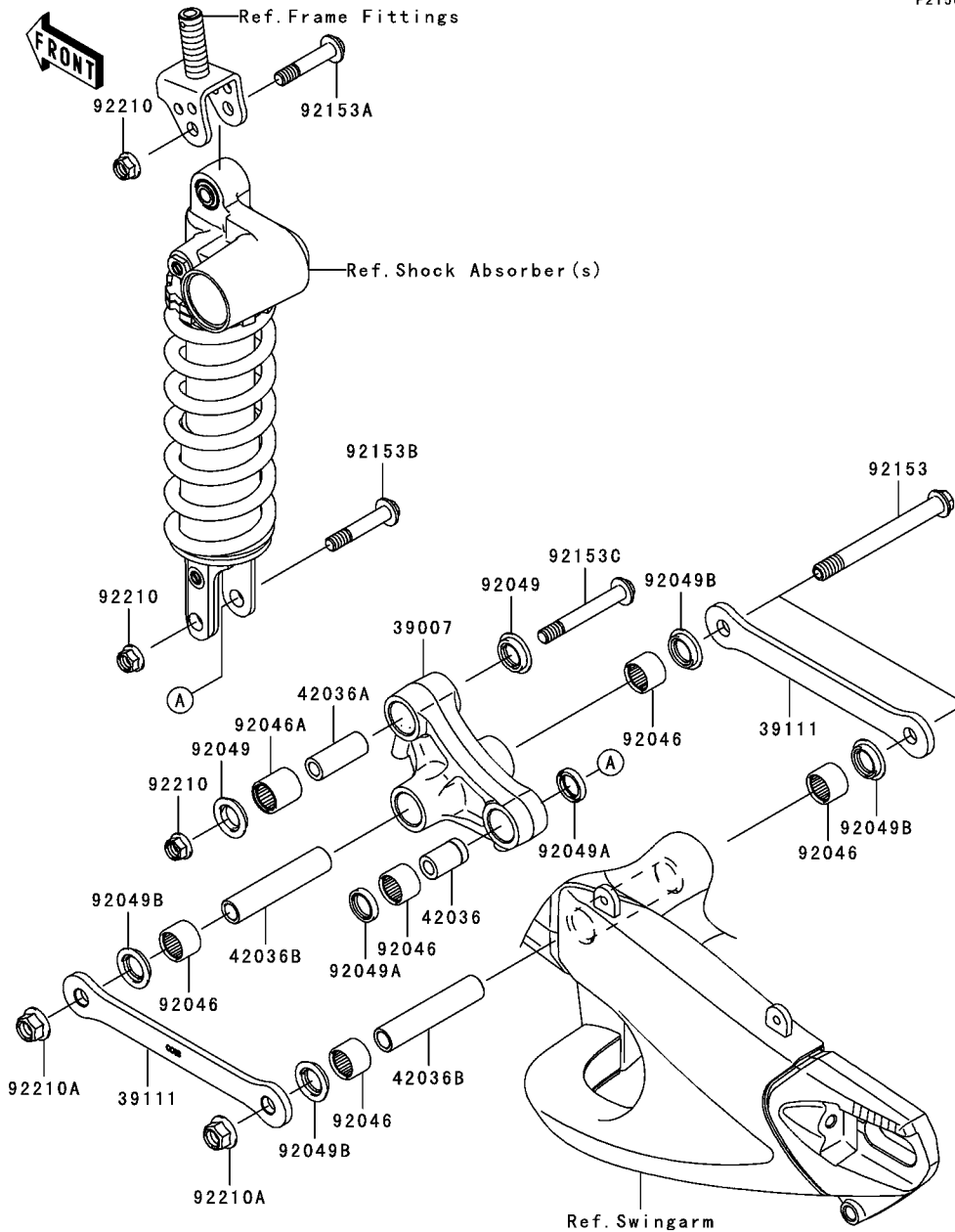
GRID NO.

E-7

This grid covers:

Suspension

F2150



Ref. No.	Part No.	Description	Spec Code	Quantity-ZX1000			
				'06	'07		
				D6F	D7F		
39007	39007-0006	ARM-SUSP,UNI TRAK	1	1			
39111	39111-0018	ROD-TIE,SUSPENSION	2	2			
42036	42036-1258	SLEEVE,10.1X18X30	1	1			
42036A	42036-1342	SLEEVE,10.1X17X44.5	1	1			
42036B	42036-1360	SLEEVE,12.1X18X90	2	2			
92046	92046-1272	BEARING-NEEDLE,SFYZM182417	5	5			
92046A	92046-1273	BEARING-NEEDLE,SFYZM172425	1	1			
92049	92049-1223	SEAL-OIL,MHA17245.7F	2	2			
92049A	92049-1225	SEAL-OIL,MHA18244	2	2			
92049B	92049-1493	SEAL-OIL,KCR MF018N1	4	4			
92153	92153-0508	BOLT,FLANGED,12X117	2	2			
92153A	92153-1545	BOLT,FLANGED,10X51	1	1			
92153B	92153-1546	BOLT,FLANGED,10X55	1	1			
92153C	92153-1547	BOLT,FLANGED,10X77	1	1			
92210	92210-0321	NUT,LOCK,FLANGED,10MM	3	3			
92210A	92210-1150	NUT,LOCK,FLANGED,12MM	2	2			

This catalog covers:

'06~'07 ZX1000 D6F/D7F Chassis

GRID NO.

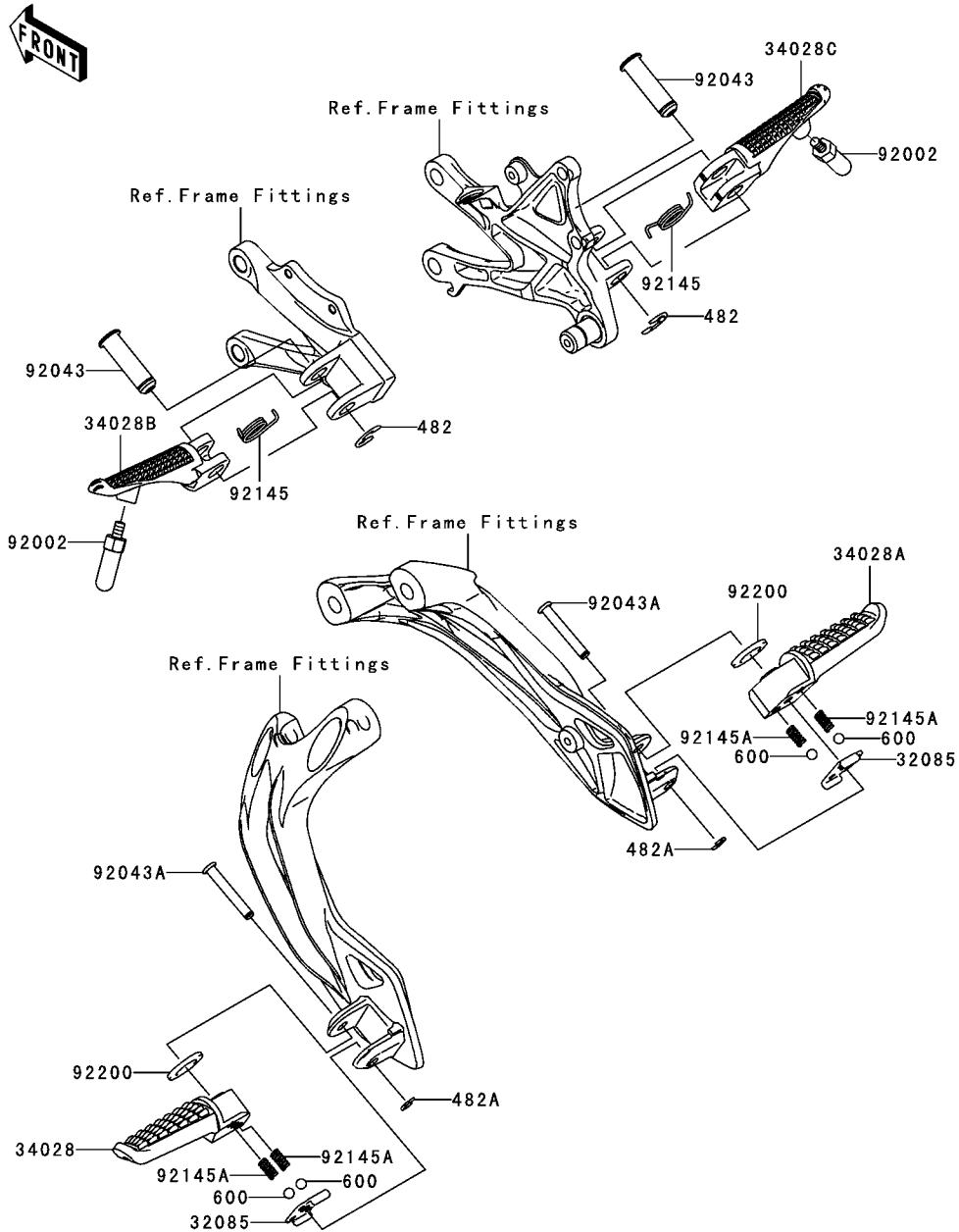
E-8

This grid covers:

Footrests

F2160

Ref. No.	Part No.	Description	Spec Code	Quantity-ZX1000			
				'06	'07		
				D6F	D7F		
32085	32085-0047	STOPPER,REAR STEP	2	2			
34028	34028-0004	STEP,RR,LH	1	1			
34028A	34028-0005	STEP,RR,RH	1	1			
34028B	34028-0029	STEP,FR,LH	1	1			
34028C	34028-0030	STEP,FR,RH	1	1			
92002	92002-1995	BOLT,BANK SENSOR	2	2			
92043	92043-0028	PIN,12X36.5	2	2			
92043A	92043-1595	PIN,6X40	2	2			
92145	92145-0376	SPRING,STEP RETURN	2	2			
92145A	92145-1319	SPRING	4	4			
92200	92200-0043	WASHER,16X26X2.3	2	2			
482	482L0100	CIRCLIP-TYPE-E,10MM	2	2			
482A	482L5000	CIRCLIP-TYPE-E,5MM	2	2			
600	600A0800	BALL-STEEL,1/4"	4	4			



This catalog covers:

'06~'07 ZX1000 D6F/D7F Chassis

GRID NO.

E-9

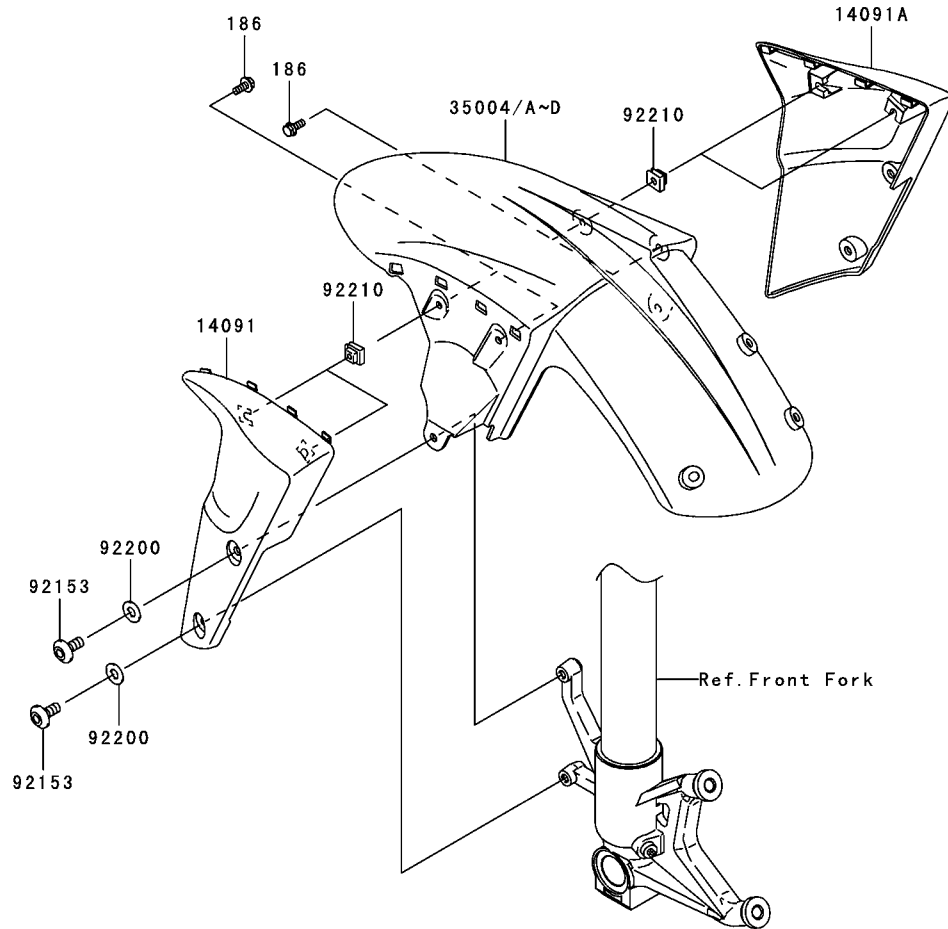
This grid covers:

Front Fender(s)

F2171

Ref. No.	Part No.	Description	Spec Code	Quantity-ZX1000			
				'06	'07		
				D6F	D7F		

14091	14091-0103-6Z	COVER,FRONT FENDER,LH,F.BLACK		1	1		
14091A	14091-0104-6Z	COVER,FRONT FENDER,RH,F.BLACK		1	1		
35004	35004-0034-H8	FENDER-FRONT,EBONY		1			
35004A	35004-0034-725	FENDER-FRONT,M.F.R.TITANIUM		1			
35004B	35004-0034-777	FENDER-FRONT,L.GREEN		1			
35004C	35004-0076-H8	FENDER-FRONT,EBONY			1		
35004D	35004-0076-777	FENDER-FRONT,L.GREEN			1		
92153	92153-1612	BOLT,SOCKET,6X14		4	4		
92200	92200-1388	WASHER,6.5X14X1		4	4		
92210	92210-1266	NUT,5MM		4	4		
186	186L0514	BOLT-UPSET-WP,5X14		4	4		



This catalog covers:

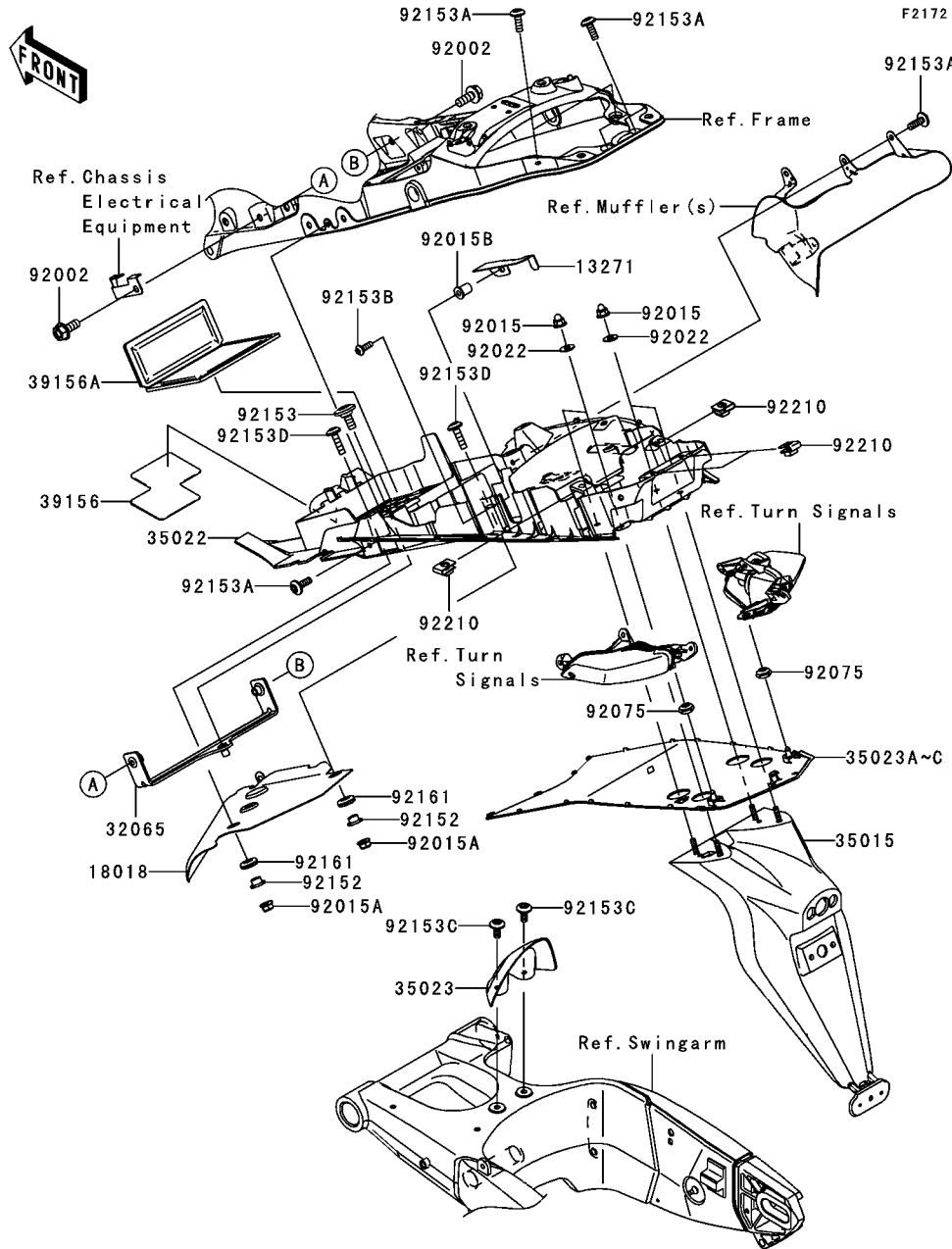
'06~'07 ZX1000 D6F/D7F Chassis

GRID NO.

E-10

This grid covers:

Rear Fender(s)



Ref. No.	Part No.	Description	Quantity-ZX1000			
			Spec Code		'06	'07
			D6F	D7F		
13271	13271-0742	PLATE,SEAT CABLE GUARD	1	1		
18018	18018-0005	PLATE-HEAT GUARD	1	1		
32065	32065-0009	BRACKET-FENDER	1	1		
35015	35015-0008	FLAP-COMP	1	1		
35022	35022-0032	FENDER-COMP-REAR	1	1		
35023	35023-0070	FENDER-REAR,INNER	1	1		
35023A	35023-0071-H8	FENDER-REAR,LWR,EBONY	1	1		
35023B	35023-0071-725	FENDER-REAR,LWR,M.FR.TITANIUM	1			
35023C	35023-0071-777	FENDER-REAR,LWR,L.GREEN	1	1		
39156	39156-0140	PAD,REAR FENDER	1	1		
39156A	39156-0141	PAD,BATTERY INSULATION	1	1		
92002	92002-1134	BOLT,FLANGED,8X20	2	2		
92015	92015-1262	NUT,LOCK 6MM	4	4		
92015A	92015-1603	NUT,LOCK,FLANGED,6MM	2	2		
92015B	92015-1757	NUT,WELL,5MM	1	1		
92022	92022-2373	WASHER,6.2X15.0X1.2	4	4		
92075	92075-1011	DAMPER	2	2		
92152	92152-0411	COLLAR	2	2		
92153	92153-0322	BOLT,6X15.4	1	1		
92153A	92153-0816	BOLT,6X18	6	6		
92153B	92153-1244	BOLT,SOCKET,5X16	1	1		
92153C	92153-1612	BOLT,SOCKET,6X14	2	2		
92153D	92153-1626	BOLT,SOCKET,6X23	2	2		
92161	92161-0355	DAMPER	2	2		
92210	92210-0130	NUT	4	4		

This catalog covers:

'06~'07 ZX1000 D6F/D7F Chassis

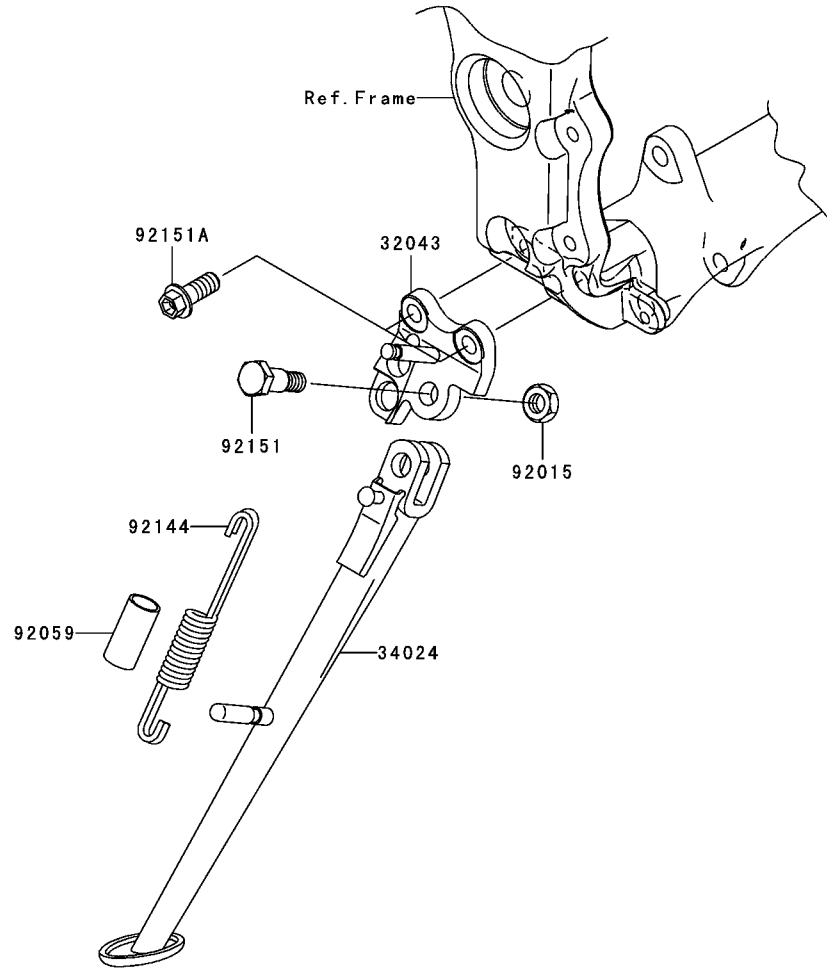
GRID NO.

E-11

This grid covers:

Stand(s)

F2190



Ref. No.	Part No.	Description	Spec Code	Quantity-ZX1000			
				'06	'07		
				D6F	D7F		
32043	32043-0039-11E	BRACKET-STAND,SIDE,F.S.BLACK	1	1			
34024	34024-0025-11E	STAND-SIDE,F.S.BLACK	1	1			
92015	92015-1188	NUT,LOCK,10MM,BLACK	1	1			
92059	92059-1961	TUBE,14X17X50	1	1			
92144	92144-1818	SPRING,SIDE STAND	1	1			
92151	92151-1797	BOLT,SIDE STAND	1	1			
92151A	92151-1802	BOLT,FLANGED,10X25	2	2			

This catalog covers:

'06~'07 ZX1000 D6F/D7F Chassis

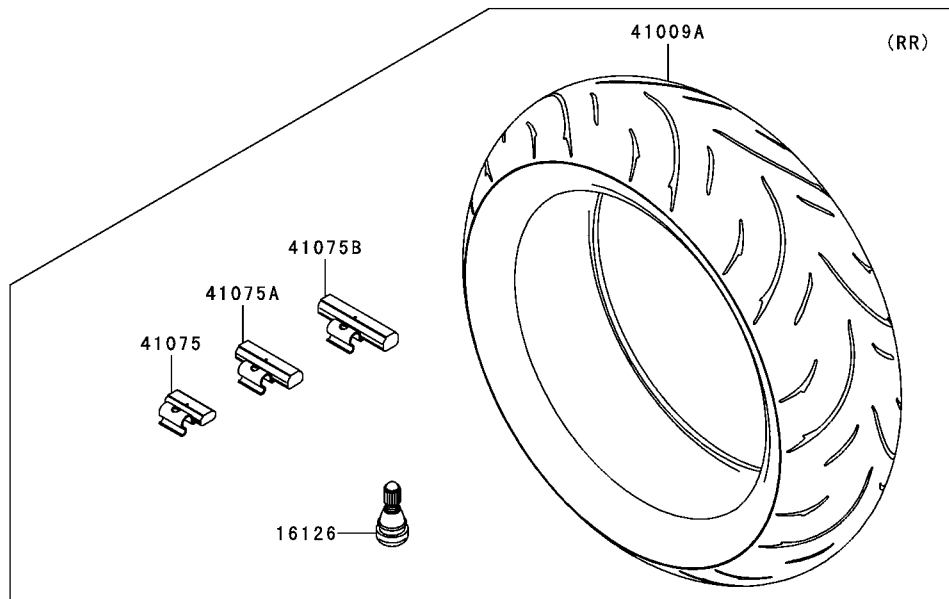
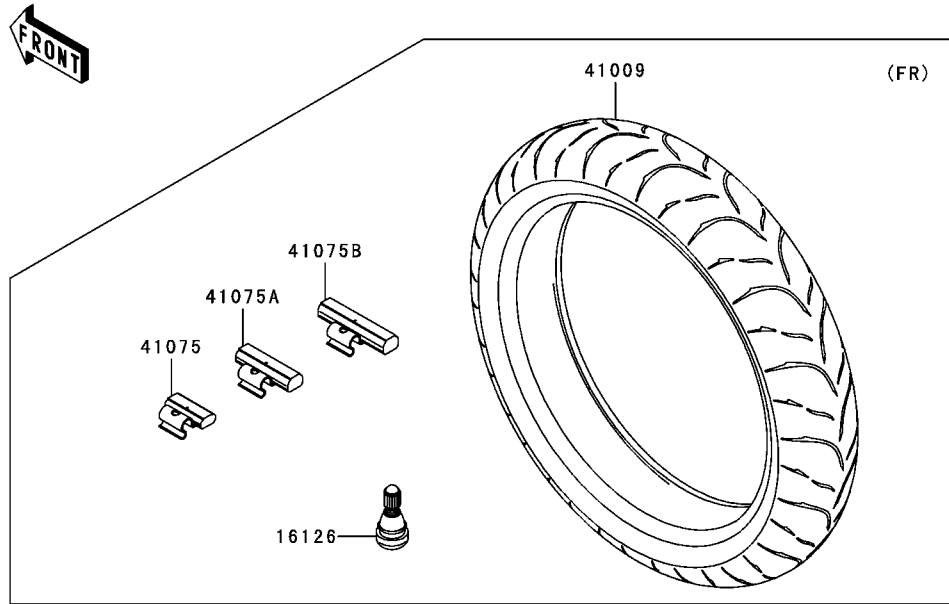
GRID NO.

E-12

This grid covers:

Tires

F2210



Ref. No.	Part No.	Description	Spec Code	Quantity-ZX1000			
				'06	'07		
				D6F	D7F		
16126	16126-1140	VALVE,TIRE		2	2		
41009	41009-0130	TIRE,FR,120/70ZR17(58W),D209FM		1	1		
41009A	41009-0131	TIRE,RR,190/55ZR17(73W),D209J		1	1		
41075	41075-0007	BALANCER-WHEEL,10G,SILVER		AR	AR		
41075A	41075-0008	BALANCER-WHEEL,20G,SILVER		AR	AR		
41075B	41075-0009	BALANCER-WHEEL,30G,SILVER		AR	AR		

This catalog covers:

'06~'07 ZX1000 D6F/D7F Chassis

GRID NO.

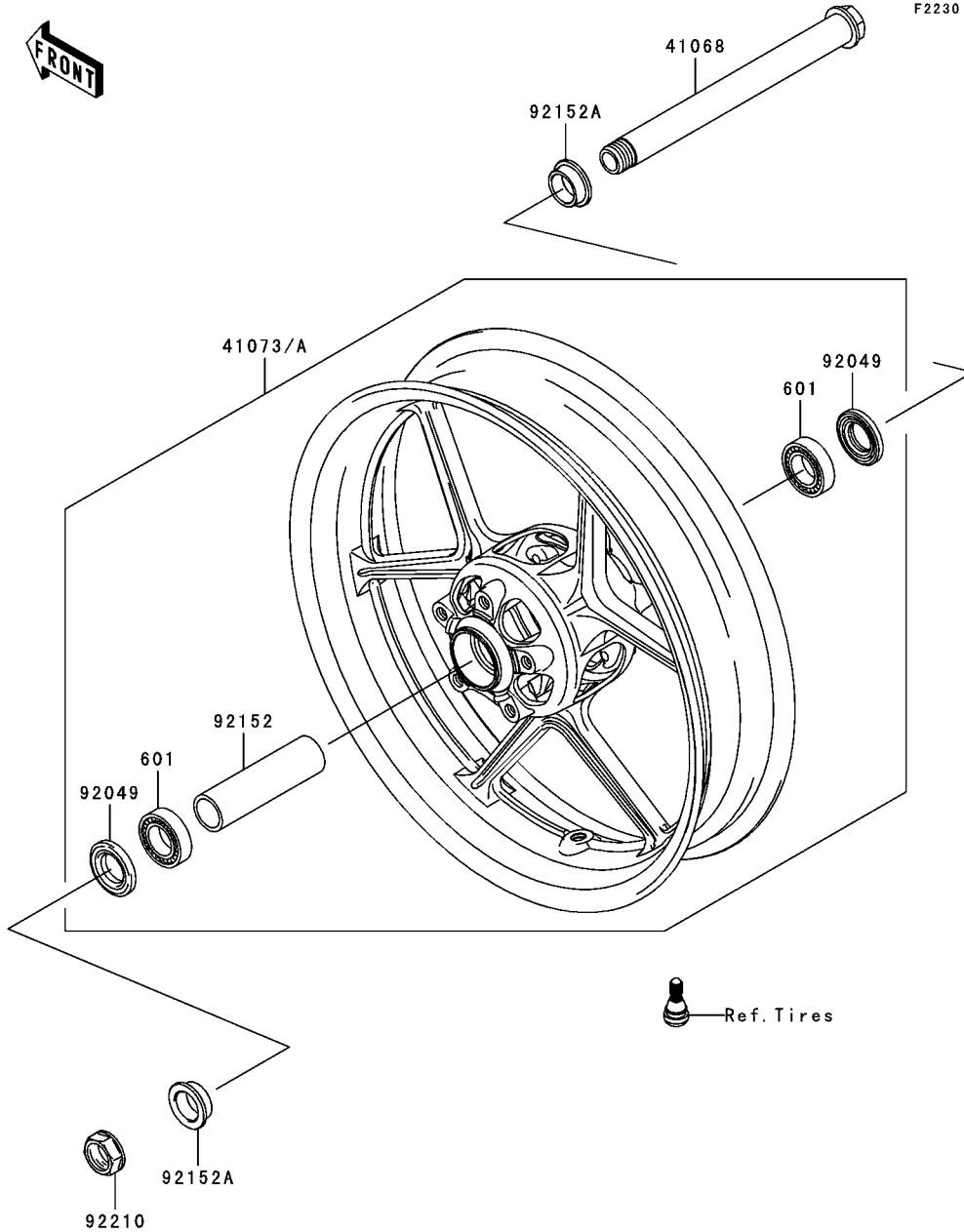
E-13

This grid covers:

Front Hub



F2230



Ref. No.	Part No.	Description	Spec Code	Quantity-ZX1000			
				'06	'07		
				D6F	D7F		
41068	41068-0041	AXLE,FR		1	1		
41073	41073-0084-R2	WHEEL-ASSY,FR,BLACK			1		
41073A	41073-0084-11A	WHEEL-ASSY,FR,M.M.GOLD		1			
92049	92049-1377	SEAL-OIL,BJN 32 47 5		2	2		
92152	92152-0242	COLLAR,FR HUB,L=115		1	1		
92152A	92152-0289	COLLAR,FR AXLE,L=13		2	2		
92210	92210-0291	NUT,24MM		1	1		
601	601B6005UU	BEARING-BALL,#6005UU		2	2		

This catalog covers:

'06~'07 ZX1000 D6F/D7F Chassis

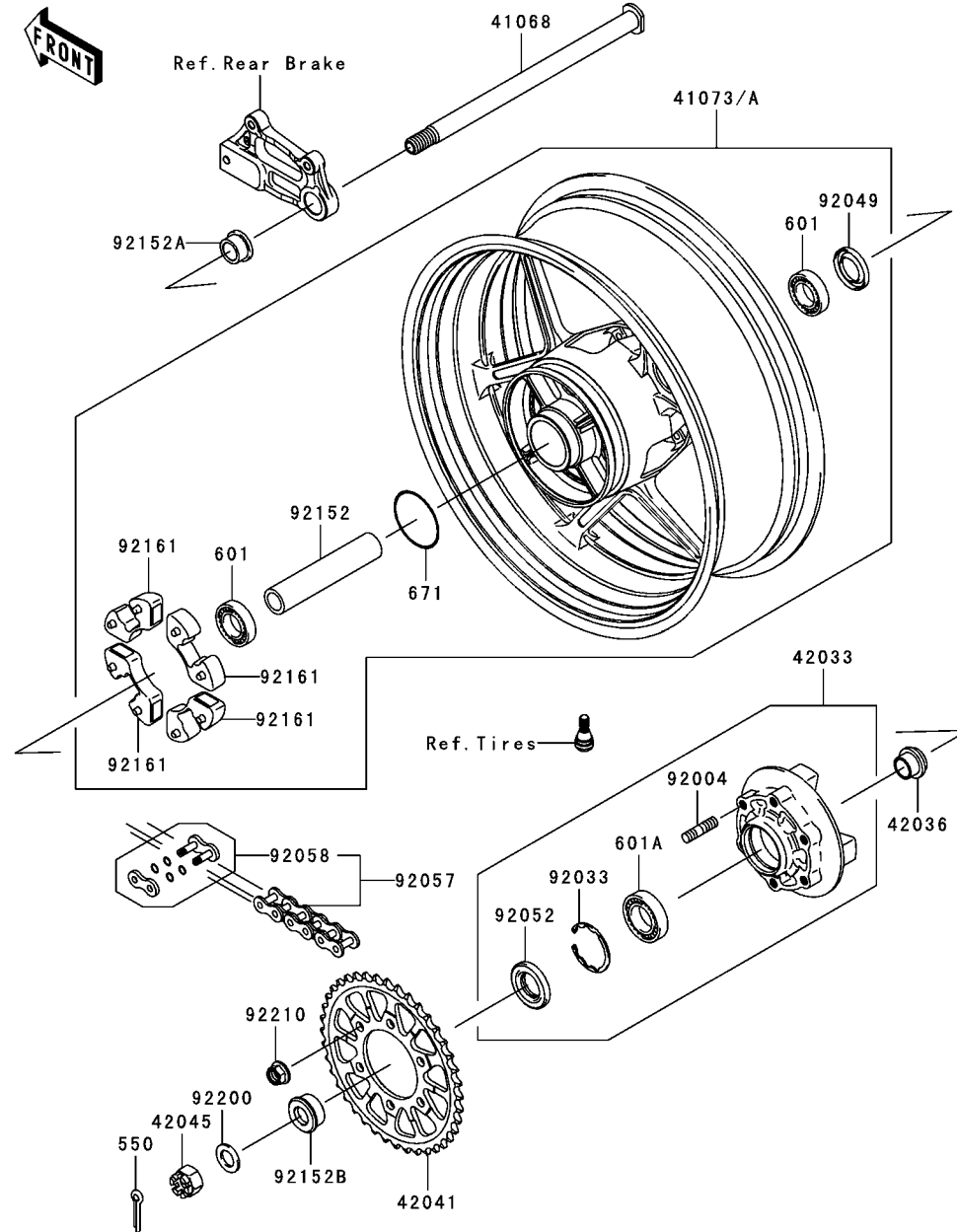
GRID NO.

E-14

This grid covers:

Rear Hub

F2240



Ref. No.	Part No.	Description	Spec Code	Quantity-ZX1000			
				'06	'07		
				D6F	D7F		
41068	41068-0040	AXLE,RR	1	1			
41073	41073-0081-R2	WHEEL-ASSY,RR,BLACK	1	1			
41073A	41073-0081-11A	WHEEL-ASSY,RR,M.M.GOLD	1				
42033	42033-0003	COUPLING-ASSY,RR HUB	1	1			
42036	42036-1251	SLEEVE,RR HUB,L=23	1	1			
42041	42041-0043	SPROCKET-HUB,40T	1	1			
42045	42045-018	NUT,CASTLE,18MM	1	1			
92004	92004-1275	STUD,10X19	6	6			
92033	92033-1043	RING-SNAP,52MM	1	1			
92049	92049-1056	SEAL-OIL,BJN28475	1	1			
92052	92052-006	SEAL-OIL,TWC35527	1	1			
92057	92057-0104	CHAIN,DRIVE,RK525MFOX108L	1	1			
92058	92058-0005	JOINT-CHAIN,DRIVE	1	1			
92152	92152-0088	COLLAR,RR HUB,L=144.5	1	1			
92152A	92152-0105	COLLAR,RR AXLE,RH,L=17	1	1			
92152B	92152-0206	COLLAR,RR AXLE,LH,L=18	1	1			
92161	92161-0342	DAMPER,SHOCK,RR HUB	4	4			
92200	92200-1489	WASHER,19X32X2.6	1	1			
92210	92210-0276	NUT,LOCK,FLANGED,10MM	6	6			
550	550D4035	PIN-COTTER,4.0X35	1	1			
601	601B6204UU	BEARING-BALL,6204UUC3	2	2			
601A	601B6205UU	BEARING-BALL	1	1			
671	671B2560	O RING,60MM	1	1			

This catalog covers:

'06~'07 ZX1000 D6F/D7F Chassis

GRID NO.

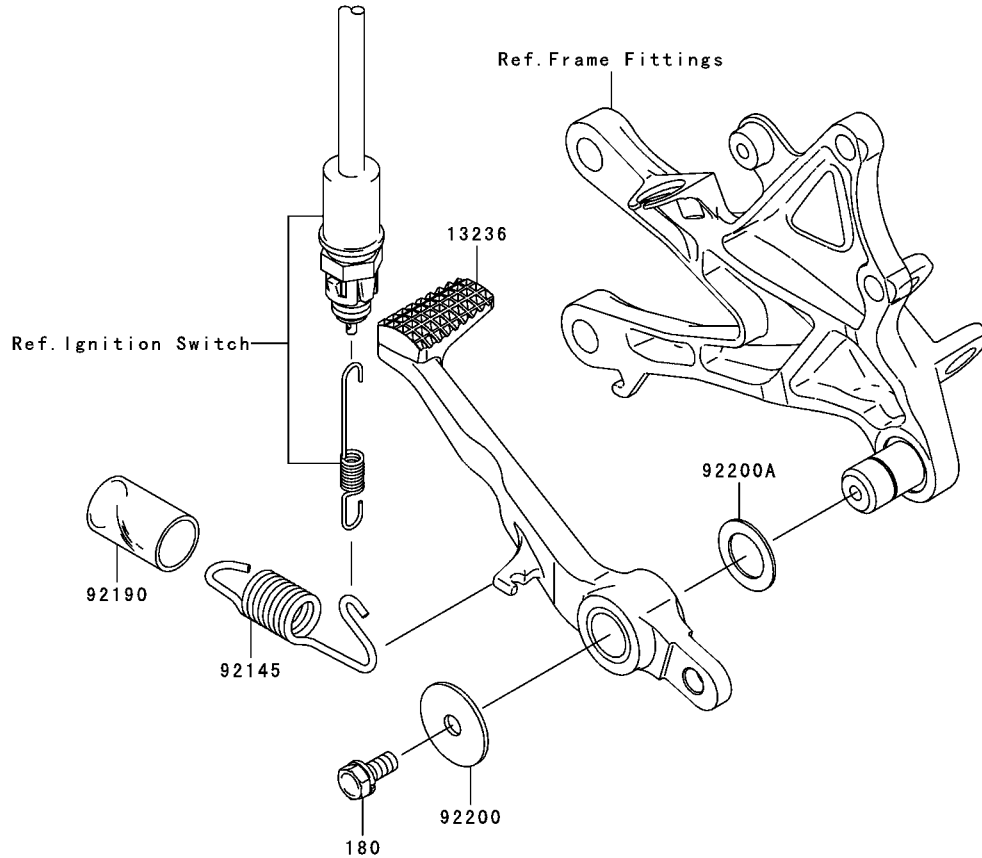
F-3

This grid covers:

Brake Pedal

F2260

Ref. No.	Part No.	Description	Spec Code	Quantity-ZX1000			
				'06	'07		
				D6F	D7F		
13236	13236-0090	LEVER-COMP,BRAKE PEDAL	1	1			
92145	92145-0230	SPRING,BRAKE PEDAL RETURN	1	1			
92190	92190-1185	TUBE,16X19X30	1	1			
92200	92200-0279	WASHER,7X28X1.6	1	1			
92200A	92200-0280	WASHER,15.3X24X1.0	1	1			
180	180L0614	BOLT-UPSET-WS,6X14	1	1			



This catalog covers:

'06~'07 ZX1000 D6F/D7F Chassis

GRID NO.

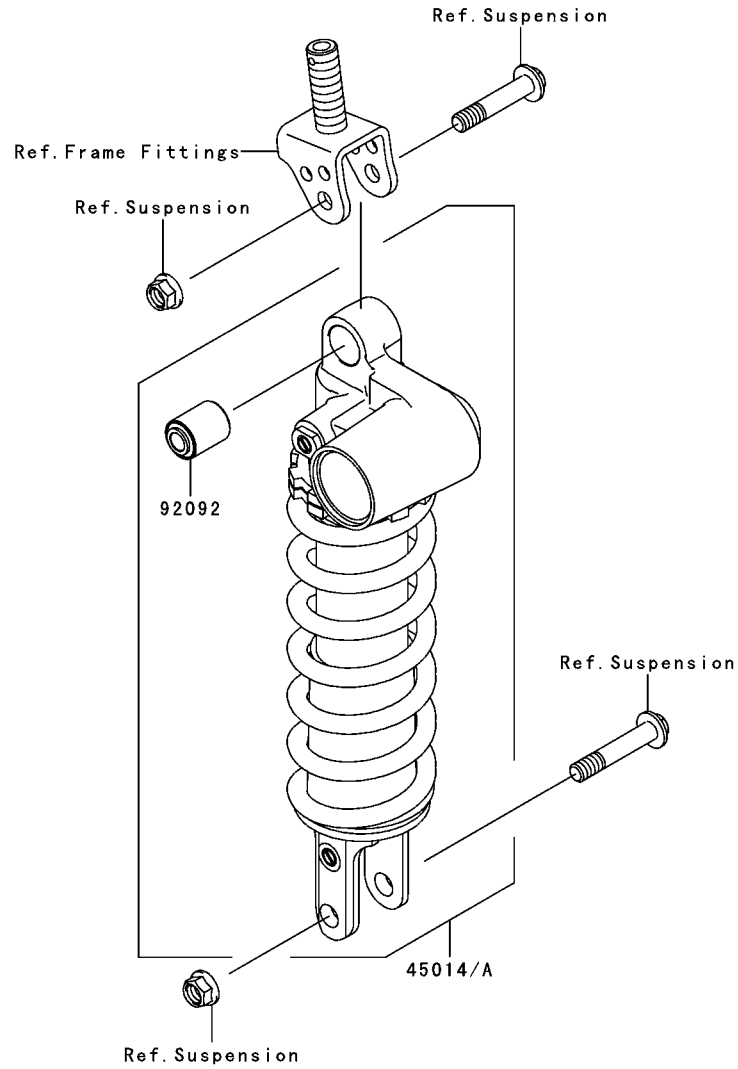
F-4

This grid covers:

Shock Absorber(s)

F2280

Ref. No.	Part No.	Description	Spec Code	Quantity-ZX1000			
				'06	'07		
				D6F	D7F		
45014	45014-0117	SHOCKABSORBER		1			
45014A	45014-0165	SHOCKABSORBER			1		
92092	92092-0003	BUSHING-RUBBER		1	1		



This catalog covers:

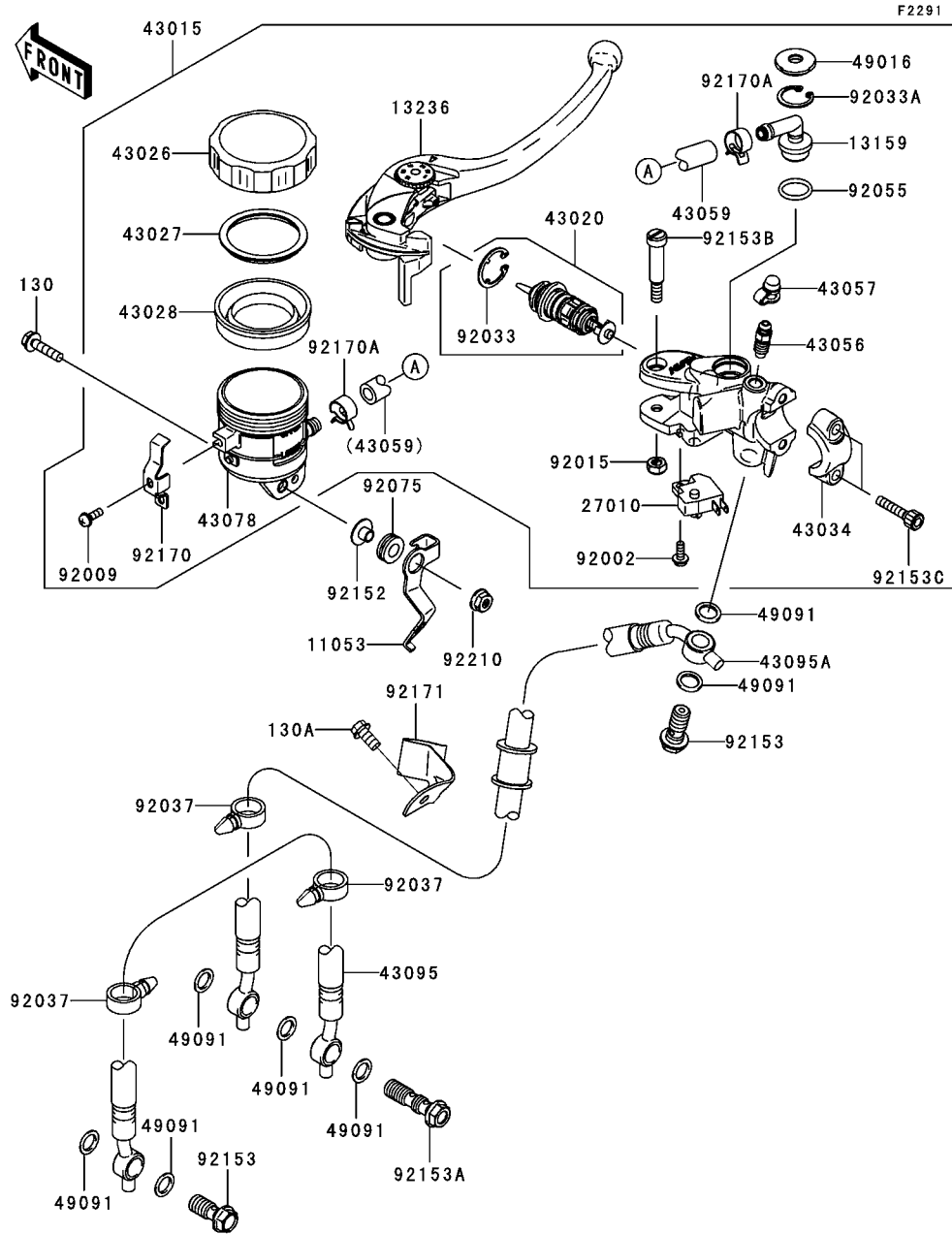
'06~'07 ZX1000 D6F/D7F Chassis

GRID NO.

F-5

This grid covers:

Front Master Cylinder



Ref. No.	Part No.	Description	Spec Code	Quantity-ZX1000	
				'06	'07
				D6F	D7F
11053	11053-1545	BRACKET,RESERVOIR TANK,FR	1	1	
13159	13159-1061	CONNECTOR	1	1	
13236	13236-0103	LEVER-COMP,FRONT BRAKE	1	1	
27010	27010-0025	SWITCH,BRAKE	1	1	
43015	43015-0051	CYLINDER-ASSY-MASTER,FR	1	1	
43020	43020-0003	PISTON-COMP-BRAKE	1	1	
43026	43026-1051	CAP-BRAKE	1	1	
43027	43027-1051	PLATE-DIAPHRAGM	1	1	
43028	43028-1057	DIAPHRAGM,MASTER CYLINDER	1	1	
43034	43034-1016	HOLDER-BRAKE,MASTER CYLINDER	1	1	
43056	43056-1056	BREATHER-BRAKE	1	1	
43057	43057-1001	CAP-BREATHER	1	1	
43059	43059-1696	HOSE-BRAKE,FR MASTER CYLINDER	1	1	
43078	43078-1099	RESERVOIR	1	1	
43095	43095-0067	HOSE-BRAKE,FR	1	1	
43095A	43095-0278	HOSE-BRAKE,FR	1	1	
49016	49016-1147	COVER-SEAL	1	1	
49091	49091-0001	WASHER-SEAL,10.1X14.5X1.5	7	7	
92002	92002-1323	BOLT,SCREW,4X12	1	1	
92009	92009-1570	SCREW	1	1	
92015	92015-1233	NUT,FLANGED,6MM,BLACK	1	1	
92033	92033-0034	RING-SNAP	1	1	
92033A	92033-1186	RING-SNAP,20.5MM	1	1	
92037	92037-1827	CLAMP,HOSE	3	3	
92055	92055-1251	RING-O,MASTER CYLINDER	1	1	
92075	92075-161	DAMPER	1	1	
92152	92152-0017	COLLAR	1	1	
92153	92153-0627	BOLT,OIL,L=23	2	2	
92153A	92153-0628	BOLT,OIL,L=37	1	1	
92153B	92153-0868	BOLT,LEVER	1	1	
92153C	92153-1518	BOLT,SOCKET,6X22	2	2	
92170	92170-1090	CLAMP	1	1	
92170A	92170-1091	CLAMP,HOSE	2	2	
92171	92171-0704	CLAMP,BRAKE HOSE	1	1	
92210	92210-0007	NUT,FLANGED,5MM	1	1	
130	130L0520	BOLT-FLANGED,5X20	1	1	
130A	130L0612	BOLT-FLANGED,6X12	1	1	

This catalog covers:

'06~'07 ZX1000 D6F/D7F Chassis

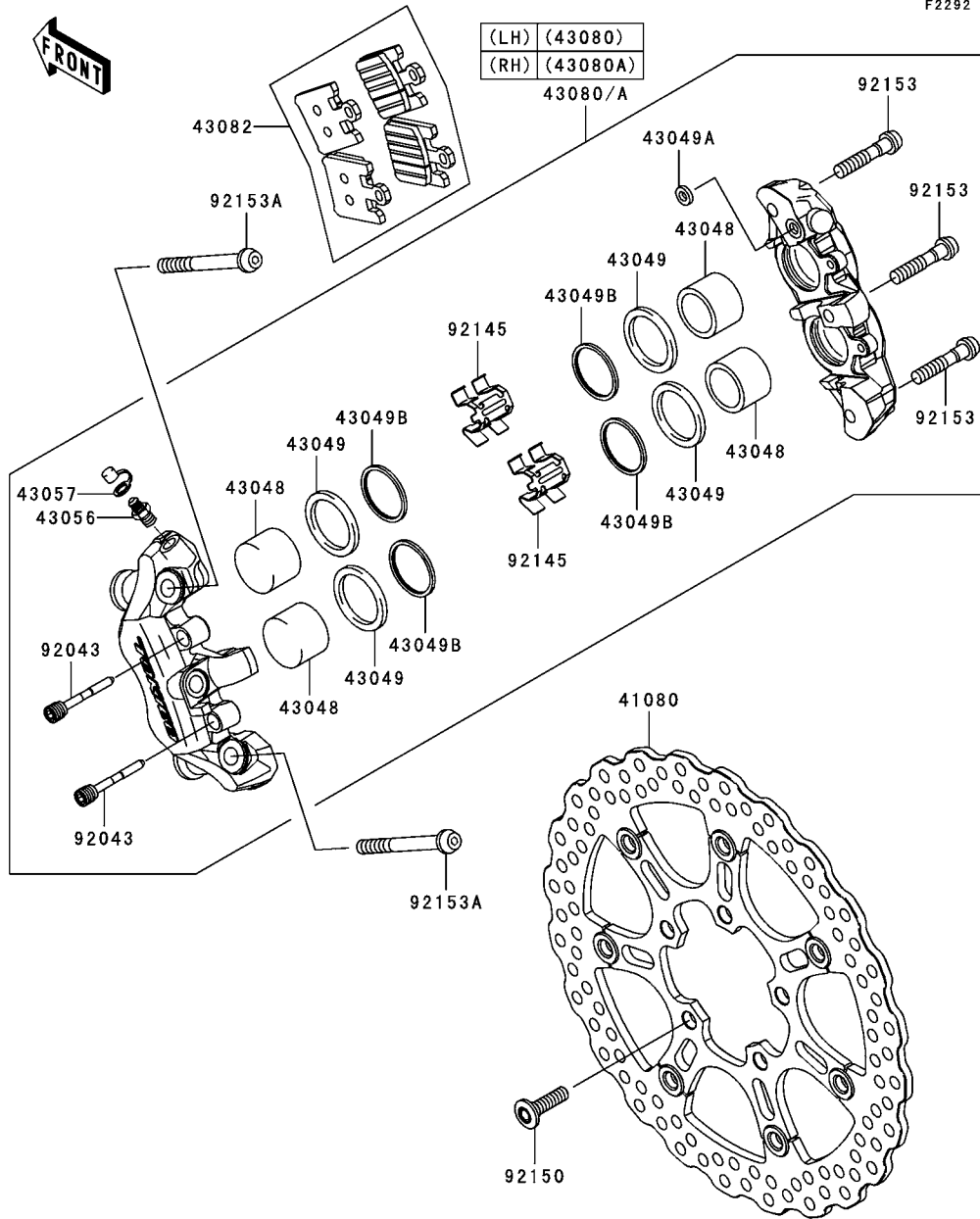
GRID NO.

F-6

This grid covers:

Front Brake

F2292



Ref. No.	Part No.	Description	Quantity-ZX1000			
			Spec Code		'06	'07
			D6F	D7F		
41080	41080-0098-111	DISC,FR,HOUSINGBLACK+DISC SILV			2	2
43048	43048-0004	PISTON-CALIPER			8	8
43049	43049-0003	PACKING,PISTON			8	8
43049A	43049-1004	PACKING,SEAL,6.5X11.5X2.2			2	2
43049B	43049-1107	PACKING,WIPER			8	8
43056	43056-1054	BREATHER-BRAKE			2	2
43057	43057-003	CAP-BREATHER			2	2
43080	43080-0017-DJ	CALIPER-SUB-ASSY,FR,LH,BLACK			1	1
43080A	43080-0018-DJ	CALIPER-SUB-ASSY,FR,RH,BLACK			1	1
43082	43082-0058	PAD-ASSY-BRAKE			2	2
92043	92043-1709	PIN,PAD			4	4
92145	92145-1568	SPRING,PAD			4	4
92150	92150-1771	BOLT,SOCKET,8X30			10	10
92153	92153-0360	BOLT,SOCKET,8X40			6	6
92153A	92153-1531	BOLT,SOCKET,10X60			4	4

This catalog covers:

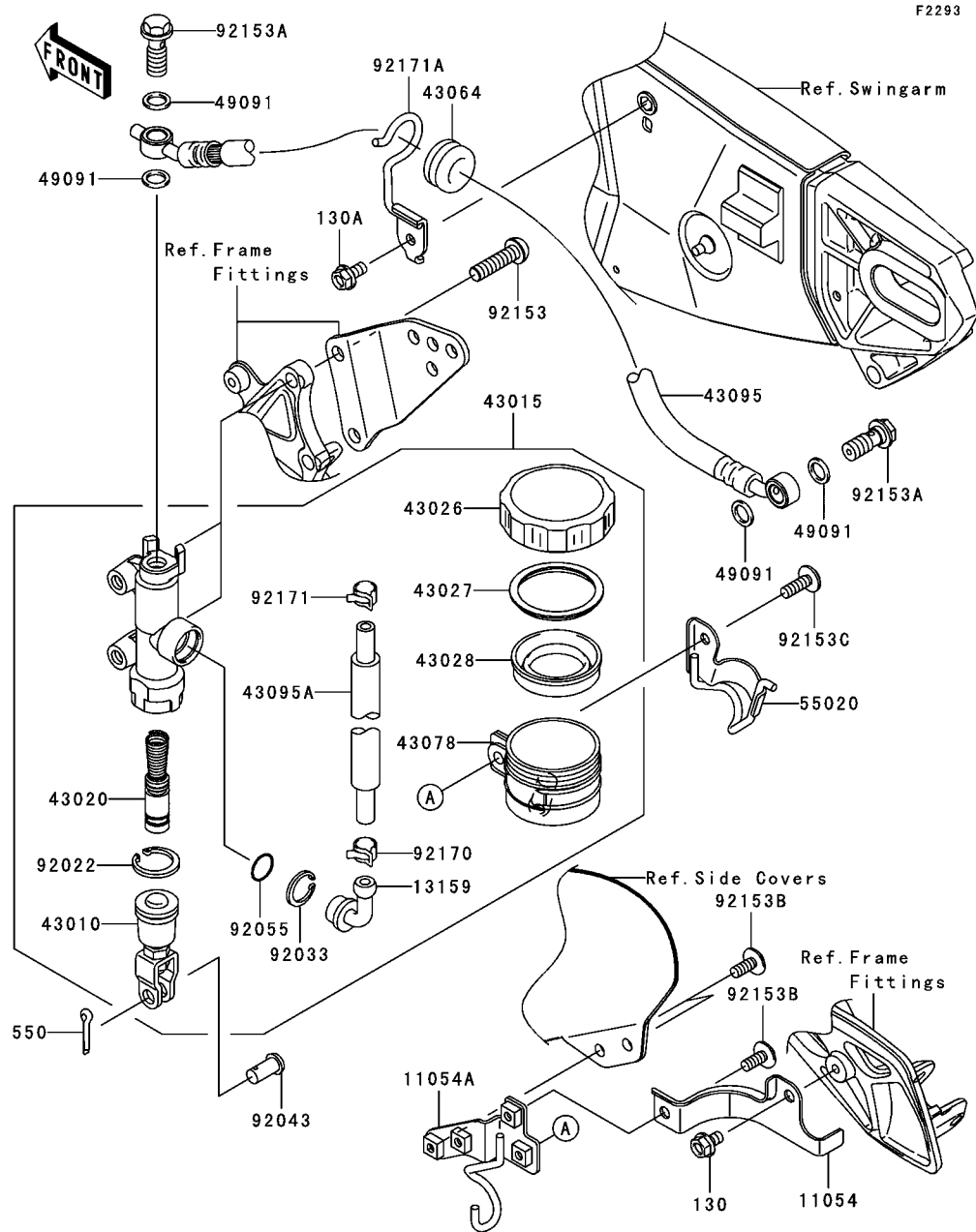
'06~'07 ZX1000 D6F/D7F Chassis

GRID NO.

F-7

This grid covers:

Rear Master Cylinder(D6F)



F2293

Ref. No.	Part No.	Description	Spec Code	Quantity-ZX1000			
				'06	'07		
				D6F	D7F		
11054	11054-0327	BRACKET,RESERVOIR TANK CAP				1	
11054A	11054-0499	BRACKET,RESERVOIR TANK				1	
13159	13159-1056	CONNECTOR				1	
43010	43010-1062	ROD-ASSY-BRAKE				1	
43015	43015-0080	CYLINDER-ASSY-MASTER,RR				1	
43020	43020-1094	PISTON-COMP-BRAKE				1	
43026	43026-1051	CAP-BRAKE				1	
43027	43027-1051	PLATE-DIAPHRAGM				1	
43028	43028-1057	DIAPHRAGM,MASTER CYLINDER				1	
43064	43064-007	GROMMET,HOSE CLAMP				1	
43078	43078-1165	RESERVOIR,RR MASTER CYLINDER				1	
43095	43095-0190	HOSE-BRAKE,RR				1	
43095A	43095-0191	HOSE-BRAKE,RR MASTER CYLINDER				1	
49091	49091-0001	WASHER-SEAL,10.1X14.5X1.5				4	
55020	55020-0276	GUARD,RESERVOIR HOSE				1	
92022	92022-1601	WASHER,CIRCRIP				1	
92033	92033-1186	RING-SNAP,20.5MM				1	
92043	92043-0104	PIN,8X14.5				1	
92055	92055-1251	RING-O,MASTER CYLINDER				1	
92153	92153-0393	BOLT,SOCKET,8X30				2	
92153A	92153-0627	BOLT,OIL,L=23				2	
92153B	92153-1612	BOLT,SOCKET,6X14				3	
92153C	92153-1675	BOLT,SOCKET,6X18				1	
92170	92170-1091	CLAMP,HOSE				1	
92171	92171-0463	CLAMP,HOSE				1	
92171A	92171-0670	CLAMP,HOSE				1	
130	130L0610	BOLT-FLANGED,6X10				1	
130A	130L0612	BOLT-FLANGED,6X12				1	
550	550AA2015	PIN-COTTER,2.0X15				1	

This catalog covers:

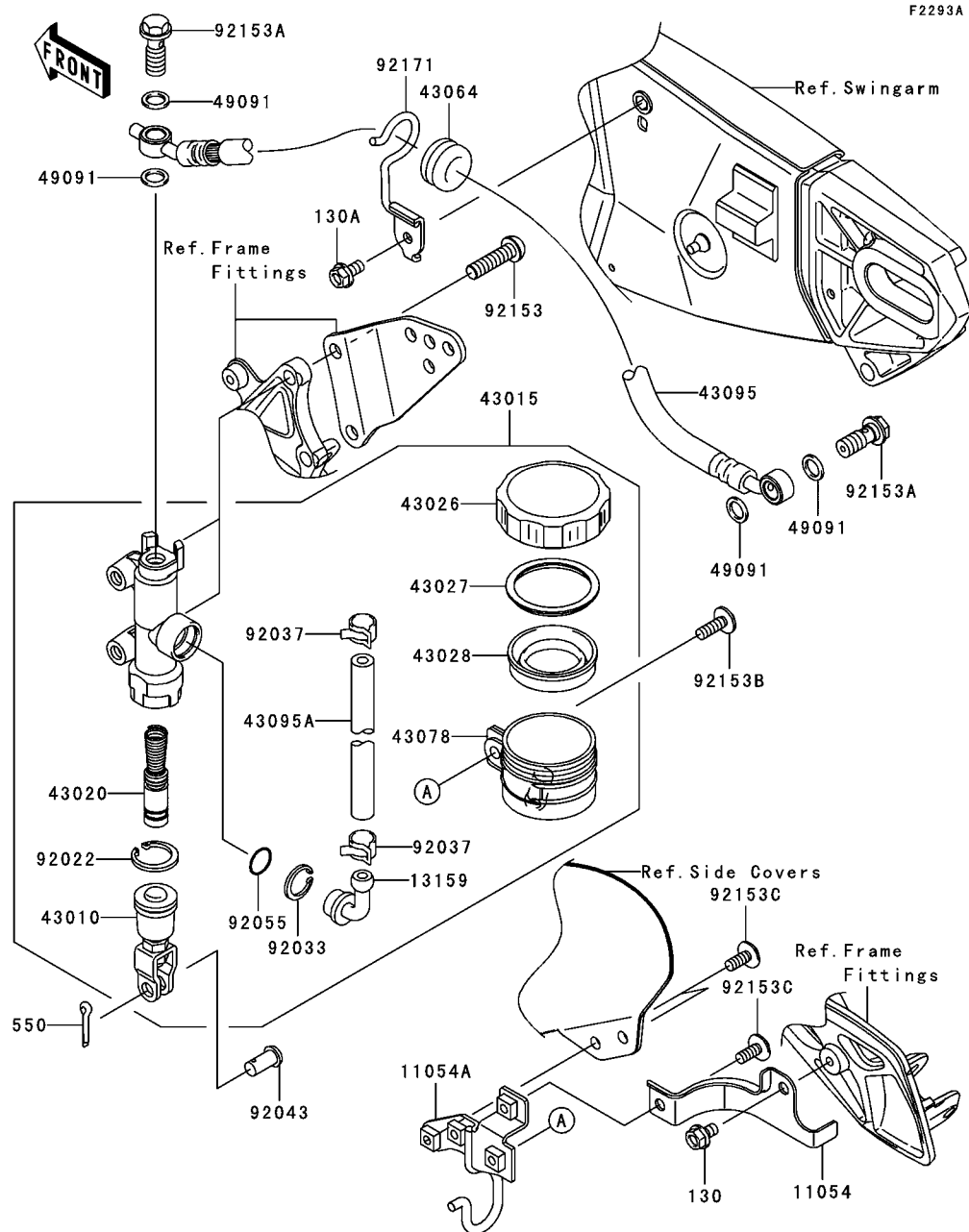
'06~'07 ZX1000 D6F/D7F Chassis

GRID NO.

F-8

This grid covers:

Rear Master Cylinder(D7F)



F2293A

Ref. No.	Part No.	Description	Spec Code	Quantity-ZX1000			
				'06	'07		
				D6F	D7F		
11054	11054-0327	BRACKET,RESERVOIR TANK CAP				1	
11054A	11054-1254	BRACKET,RESERVOIR TANK CAP				1	
13159	13159-1052	CONNECTOR,RR MASTER CYLINDER				1	
43010	43010-1062	ROD-ASSY-BRAKE				1	
43015	43015-0088	CYLINDER-ASSY-MASTER,RR				1	
43020	43020-1094	PISTON-COMP-BRAKE				1	
43026	43026-1051	CAP-BRAKE				1	
43027	43027-1051	PLATE-DIAPHRAGM				1	
43028	43028-1057	DIAPHRAGM,MASTER CYLINDER				1	
43064	43064-007	GROMMET,HOSE CLAMP				1	
43078	43078-1165	RESERVOIR,RR MASTER CYLINDER				1	
43095	43095-0190	HOSE-BRAKE,RR				1	
43095A	43095-0304	HOSE-BRAKE,RR MASTER CYLINDER				1	
49091	49091-0001	WASHER-SEAL,10.1X14.5X1.5				4	
92022	92022-1601	WASHER,CIRCRIP				1	
92033	92033-1186	RING-SNAP,20.5MM				1	
92037	92037-1547	CLAMP,BRAKE HOSE				2	
92043	92043-0104	PIN,8X14.5				1	
92055	92055-1251	RING-O,MASTER CYLINDER				1	
92153	92153-0393	BOLT,SOCKET,8X30				2	
92153A	92153-0627	BOLT,OIL,L=23				2	
92153B	92153-0816	BOLT,6X18				1	
92153C	92153-1612	BOLT,SOCKET,6X14				3	
92171	92171-0670	CLAMP,HOSE				1	
130	130L0610	BOLT-FLANGED,6X10				1	
130A	130L0612	BOLT-FLANGED,6X12				1	
550	550AA2015	PIN-COTTER,2.0X15				1	

This catalog covers:

'06~'07 ZX1000 D6F/D7F Chassis

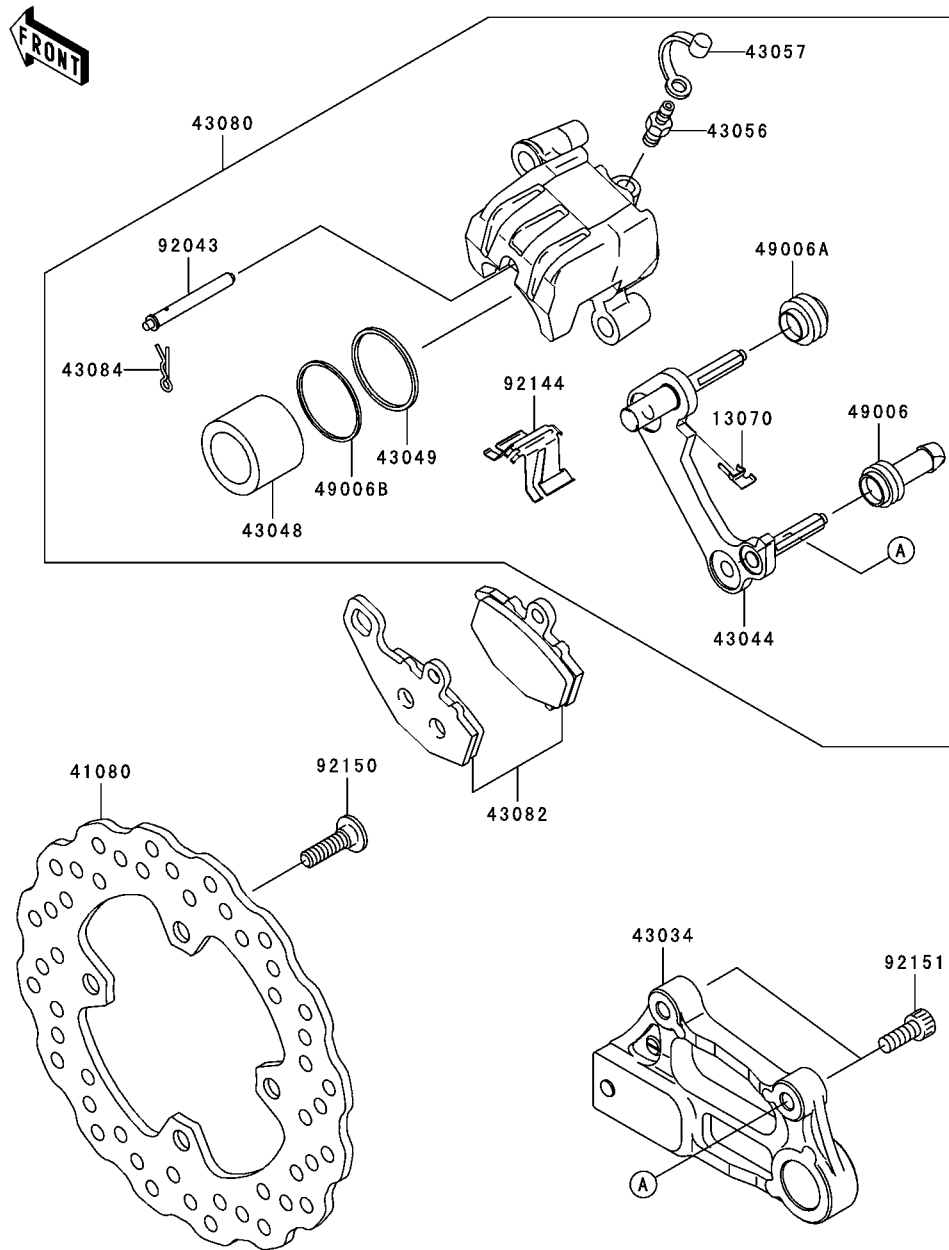
GRID NO.

F-9

This grid covers:

Rear Brake

F2294

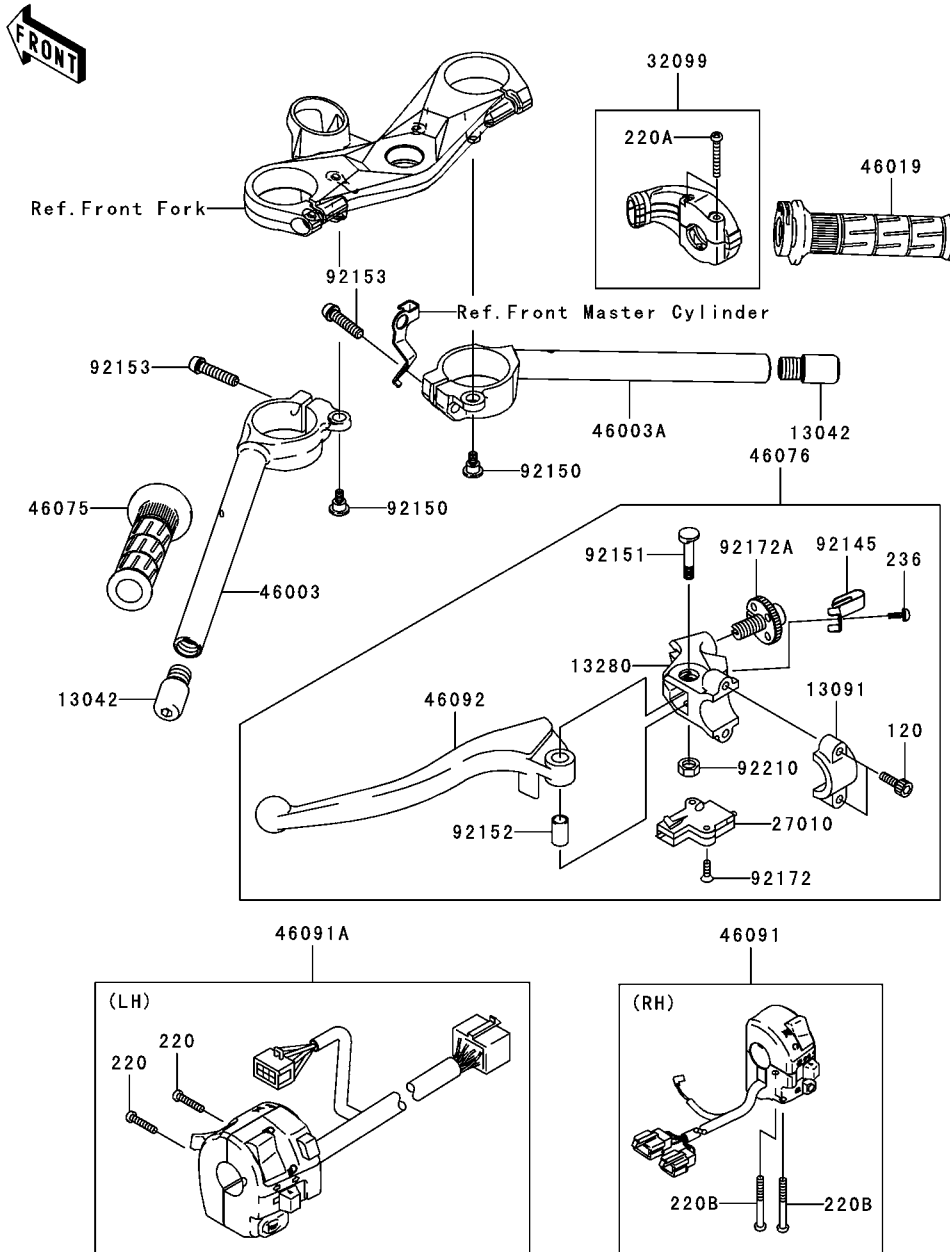


Ref. No.	Part No.	Description	Spec Code	Quantity-ZX1000			
				'06	'07		
				D6F	D7F		
13070	13070-0045	GUIDE,BRAKE PAD		1	1		
41080	41080-0040	DISC,RR		1	1		
43034	43034-0011	HOLDER-BRAKE,REAR CALIPER		1	1		
43044	43044-0002	HOLDER-COMP-CALIPER,RR		1	1		
43048	43048-0003	PISTON-CALIPER		1	1		
43049	43049-1097	PACKING,PISTON SEAL		1	1		
43056	43056-1054	BREATHER-BRAKE		1	1		
43057	43057-003	CAP-BREATHER		1	1		
43080	43080-0014-DJ	CALIPER-SUB-ASSY,RR,BLACK		1	1		
43082	43082-0004	PAD-ASSY-BRAKE		1	1		
43084	43084-003	CLAMP,PAD		1	1		
49006	49006-1054	BOOT,CALIPER		1	1		
49006A	49006-1095	BOOT,CALIPER		1	1		
49006B	49006-1212	BOOT,PISTON SEAL		1	1		
92043	92043-1489	PIN,PAD		1	1		
92144	92144-1719	SPRING,PAD		1	1		
92150	92150-1771	BOLT,SOCKET,8X30		4	4		
92151	92151-1289	BOLT,SOCKET,8X20		2	2		

F2310

Ref. No.	Part No.	Description	Spec Code	Quantity-ZX1000			
				'06	'07		
				D6F	D7F		

13042	13042-0015	WEIGHT,HANDLE		2	2		
13091	13091-1624	HOLDER,CLUTCH LEVER		1	1		
13280	13280-1160	HOLDER,CLUTCH LEVER		1	1		
27010	27010-1492	SWITCH,CLUTCH		1	1		
32099	32099-1193	CASE,THROTTLE CABLE		1	1		
46003	46003-0050	HANDLE,LH		1	1		
46003A	46003-0095	HANDLE,RH		1	1		
46019	46019-0001	GRIP-ASSY,THROTTLE		1	1		
46075	46075-1144	GRIP,LH		1	1		
46076	46076-0033	LEVER-ASSY-GRIP,CLUTCH		1	1		
46091	46091-0040	HOUSING-ASSY-CONTROL,RH		1	1		
46091A	46091-0043	HOUSING-ASSY-CONTROL,LH		1	1		
46092	46092-0006	LEVER-GRIP,CLUTCH		1	1		
92145	92145-1286	SPRING		1	1		
92150	92150-1090	BOLT,6MM		2	2		
92151	92151-1523	BOLT		1	1		
92152	92152-0103	COLLAR		1	1		
92153	92153-0907	BOLT,SOCKET,8X35		2	2		
92172	92172-0183	SCREW,3X16		2	2		
92172A	92172-1060	SCREW,ADJUST NUT		1	1		
92210	92210-0006	NUT,LOCK,6MM		1	1		
120	120P0620	BOLT-SOCKET,6X20		2	2		
220	220C0525	SCREW-PAN-CROS,5X25		2	2		
220A	220C0535	SCREW-PAN-CROS,5X35		2	2		
220B	220C0545	SCREW-PAN-CROS,5X45		2	2		
236	236C0410	SCREW-PAN-WSP-CROS,4X10		1	1		



This catalog covers:

'06~'07 ZX1000 D6F/D7F Chassis

GRID NO.

F-11

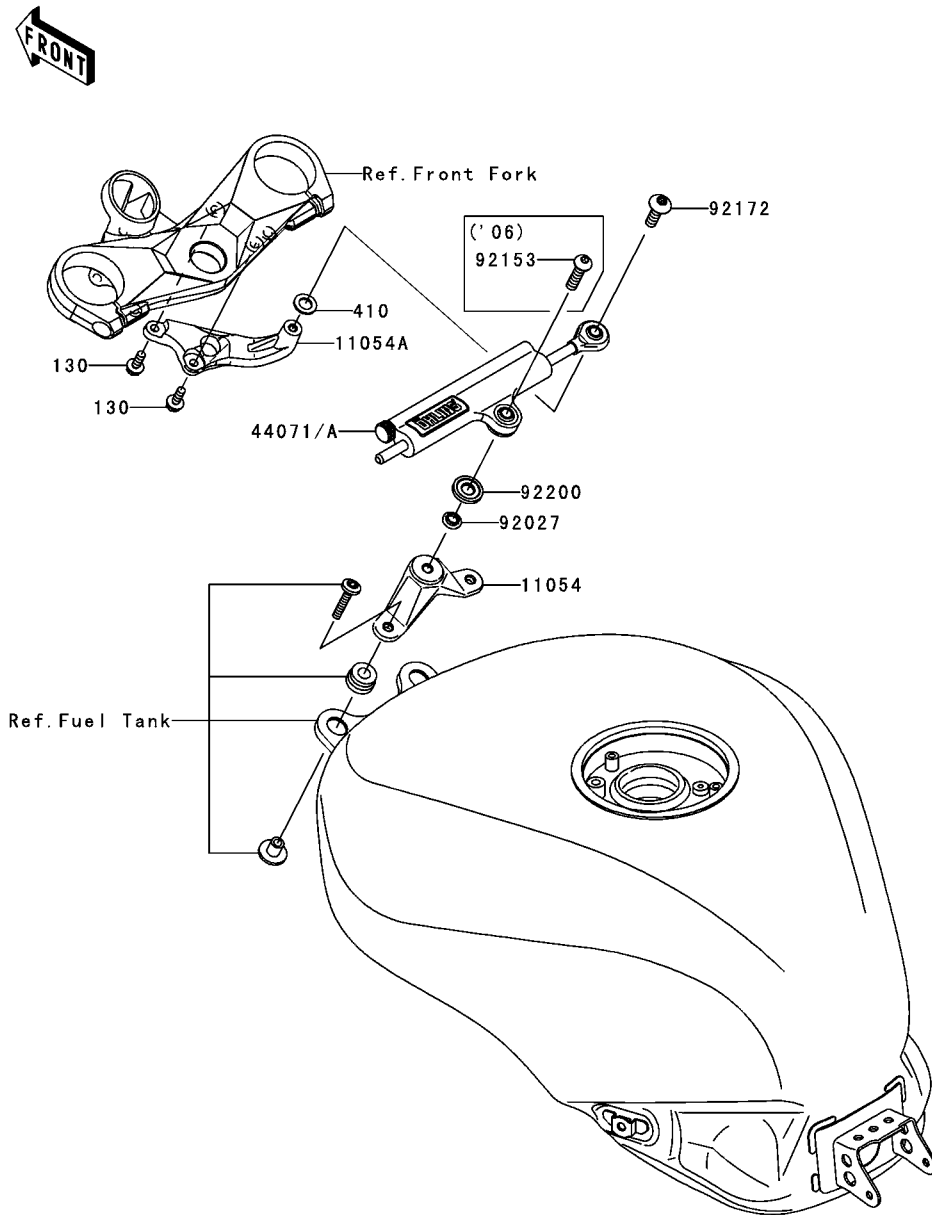
This grid covers:

Steering Damper

F2313

Ref. No.	Part No.	Description	Spec Code	Quantity-ZX1000			
				'06	'07		
				D6F	D7F		

11054	11054-0023-11E	BRACKET,STEERING DAMPER,BLACK		1	1		
11054A	11054-1094	BRACKET,STEERING DAMPER		1	1		
44071	44071-0299	DAMPER-ASSY,STEERING		1			
44071A	44071-0412	DAMPER-ASSY,STEERING			1		
92027	92027-1018	COLLAR,L=3.5		1	1		
92153	92153-0393	BOLT,SOCKET,8X30		1			
92172	92172-0269	SCREW,8X26		1	2		
92200	92200-0293	WASHER		1	1		
130	130L0616	BOLT-FLANGED,6X16		2	2		
410	410AA0800	WASHER-PLAIN-SMALL,8MM		1	1		



This catalog covers:

'06~'07 ZX1000 D6F/D7F Chassis

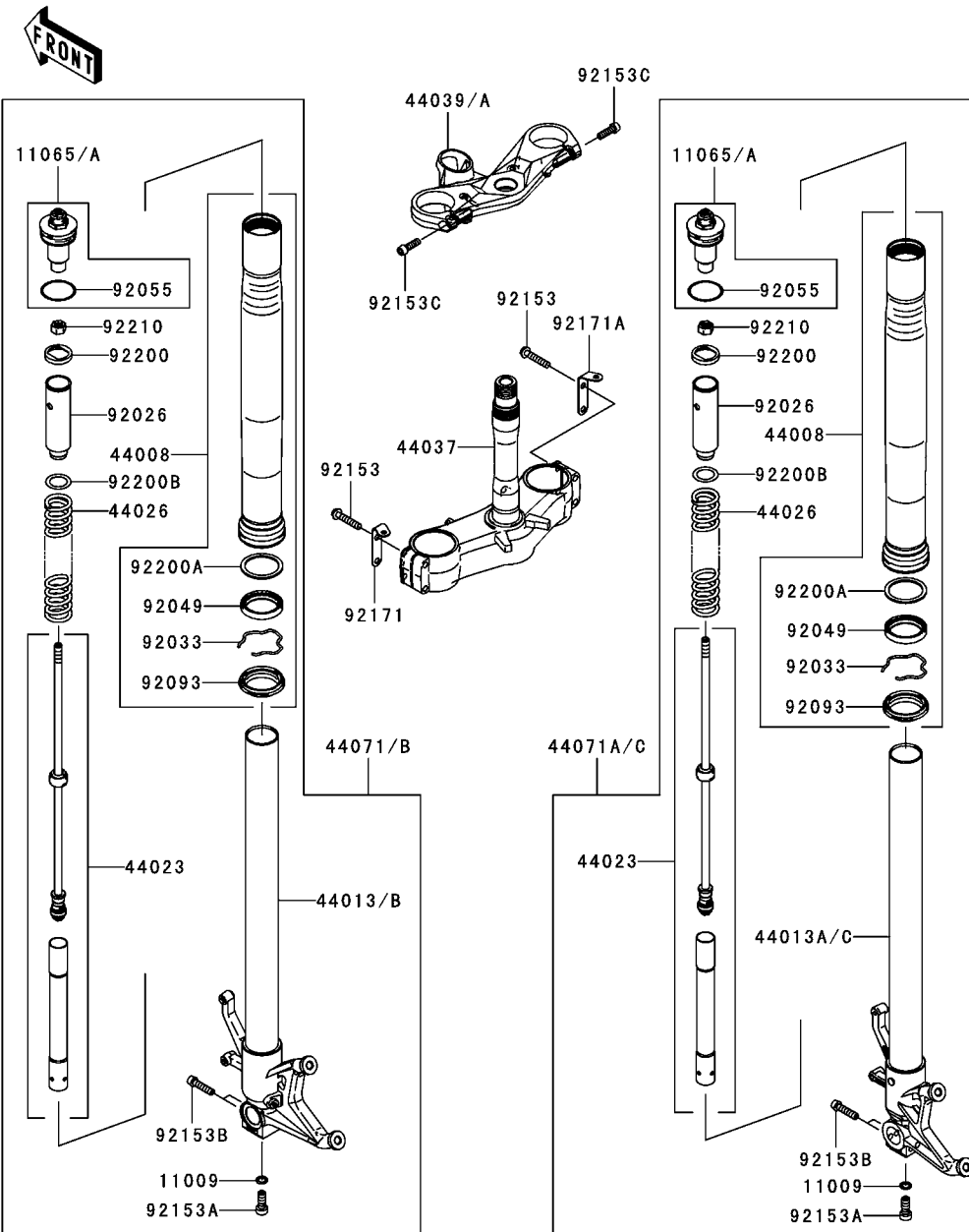
GRID NO.

F-12

This grid covers:

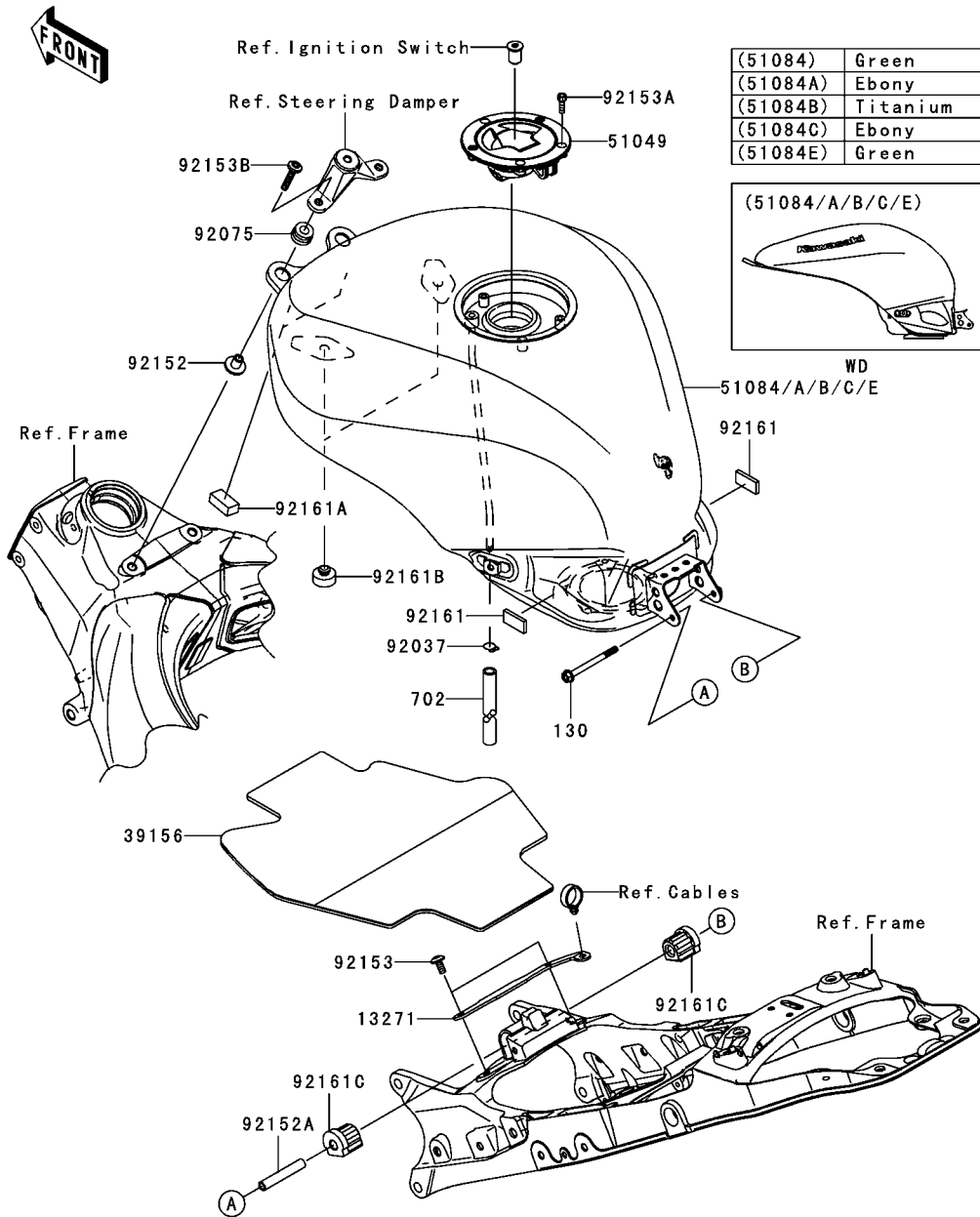
Front Fork

F2340

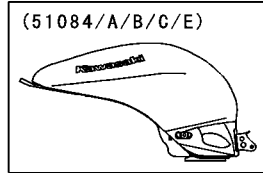


Ref. No.	Part No.	Description	Quantity-ZX1000			
			Spec Code		'06	'07
			D6F	D7F		
11009	11009-1325	GASKET,PIPE-COMP-SUSP			2	2
11065	11065-0143	CAP			2	
11065A	11065-0174	CAP				2
44008	44008-0017	PIPE-FORK OUTER			2	2
44013	44013-0043	PIPE-FORK INNER,LH			1	
44013A	44013-0044	PIPE-FORK INNER,RH			1	
44013B	44013-0081	PIPE-FORK INNER,LH				1
44013C	44013-0082	PIPE-FORK INNER,RH				1
44023	44023-0045	CYLINDER-SET-FORK			2	2
44026	44026-0094	SPRING-FRONT FORK			2	2
44037	44037-0035	HOLDER-FORK UNDER			1	1
44039	44039-0037	HOLDER-FORK UPPER			1	
44039A	44039-0051	HOLDER-FORK UPPER				1
44071	44071-0264	DAMPER-ASSY,FORK,LH			1	
44071A	44071-0265	DAMPER-ASSY,FORK,RH			1	
44071B	44071-0395	DAMPER-ASSY,FORK,LH				1
44071C	44071-0396	DAMPER-ASSY,FORK,RH				1
92026	92026-0045	SPACER,FORK			2	2
92033	92033-1077	RING-SNAP			2	2
92049	92049-0072	SEAL-OIL			2	2
92055	92055-1333	RING-O,FORK,AIR TUBE			2	2
92093	92093-0058	SEAL,DUST			2	2
92153	92153-0484	BOLT,FLANGED,8X40			4	4
92153A	92153-0548	BOLT,SOCKET,10X25			2	2
92153B	92153-1228	BOLT,SOCKET,8X35			4	4
92153C	92153-1642	BOLT,SOCKET,8X25			2	2
92171	92171-0560	CLAMP,LH			1	1
92171A	92171-0561	CLAMP,RH			1	1
92200	92200-0085	WASHER			2	2
92200A	92200-0204	WASHER			2	2
92200B	92200-0272	WASHER			2	2
92210	92210-0100	NUT			2	2

F2410



(51084)	Green
(51084A)	Ebony
(51084B)	Titanium
(51084C)	Ebony
(51084E)	Green



Ref. No.	Part No.	Description	Spec Code	Quantity-ZX1000			
				'06	'07		
				D6F	D7F		
13271	13271-0608	PLATE,FUEL TANK,RR		1			
39156	39156-0142	PAD,FUEL TANK		1			
51049	51049-0014	CAP-TANK,FUEL		1			
51084	51084-5144-777	TANK-COMP-FUEL,L.GREEN		1			
51084A	51084-5147-H8	TANK-COMP-FUEL,EBONY		1			
51084B	51084-5150-725	TANK-COMP-FUEL,M.F.R.TITANIUM		1			
51084C	51084-5317-H8	TANK-COMP-FUEL,EBONY				1	
51084E	51084-5322-777	TANK-COMP-FUEL,L.GREEN				1	
92037	92037-010	CLAMP,TUBE		1			
92075	92075-1123	DAMPER,RUBBER		2			2
92152	92152-0091	COLLAR		2			2
92152A	92152-1182	COLLAR,6.8X10X60		1			1
92153	92153-1612	BOLT,SOCKET,6X14		2			2
92153A	92153-1616	BOLT,SOCKET,5X16		3			3
92153B	92153-1627	BOLT,SOCKET,6X30		2			2
92161	92161-0178	DAMPER		2			2
92161A	92161-0384	DAMPER		2			2
92161B	92161-1065	DAMPER,SEAT		2			2
92161C	92161-1330	DAMPER,FUEL TANK,RR		2			2
130	130L0670	BOLT-FLANGED,6X70		1			1
702	702A06620	TUBE-RUBBER,6X620		1			1

This catalog covers:

'06~'07 ZX1000 D6F/D7F Chassis

GRID NO.

F-14

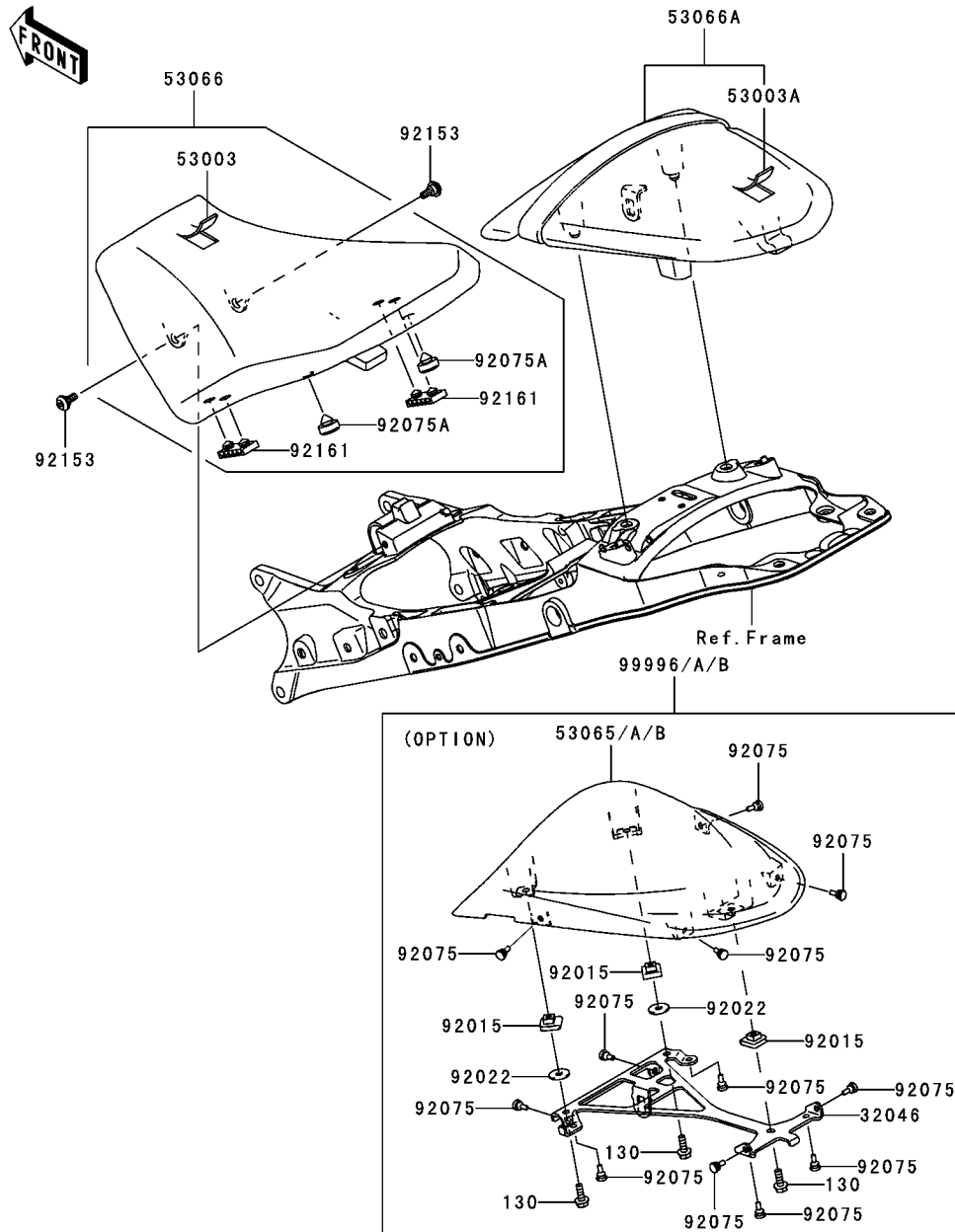
This grid covers:

Seat

F2510

Ref. No.	Part No.	Description	Spec Code	Quantity-ZX1000			
				'06	'07		
				D6F	D7F		

32046	32046-0064 (OPTION)	BRACKET-SEAT,SEAT COVER		1	1		
53003	53003-0062-MA	LEATHER,FRONT SEAT,BLACK		1	1		
53003A	53003-0094-MA	LEATHER,REAR SEAT,BLACK		1	1		
53065	53065-0005-H8 (OPTION)	COVER SEAT,EBONY		1	1		
53065A	53065-0005-725 (OPTION)	COVER SEAT,M.F.R.TITANIUM		1			
53065B	53065-0005-777 (OPTION)	COVER SEAT,L.GREEN		1	1		
53066	53066-0104-MA	SEAT-ASSY,FR,BLACK		1	1		
53066A	53066-0151-MA	SEAT-ASSY,RR,W/BAND,BLACK		1	1		
92015	92015-1531 (OPTION)	NUT,CLAMP,6MM		3	3		
92022	92022-1557 (OPTION)	WASHER,6.5X20X1.6		2	2		
92075	92075-1808 (OPTION)	DAMPER		12	12		
92075A	92075-1927	DAMPER		2	2		
92153	92153-0489	BOLT,SOCKET,6MM		2	2		
92161	92161-0149	DAMPER,SEAT		2	2		
99996	99996-1348-H8 (OPTION)	KIT,SINGLE SEAT COVER,EBONY		1	1		
99996A	99996-1348-725 (OPTION)	KIT,SINGLE SEAT COVER,TITANIUM		1			
99996B	99996-1348-777 (OPTION)	KIT,SINGLE SEAT COVER,L.GREEN		1	1		
130	130L0616 (OPTION)	BOLT-FLANGED,6X16		3	3		



This catalog covers:

'06~'07 ZX1000 D6F/D7F Chassis

GRID NO.

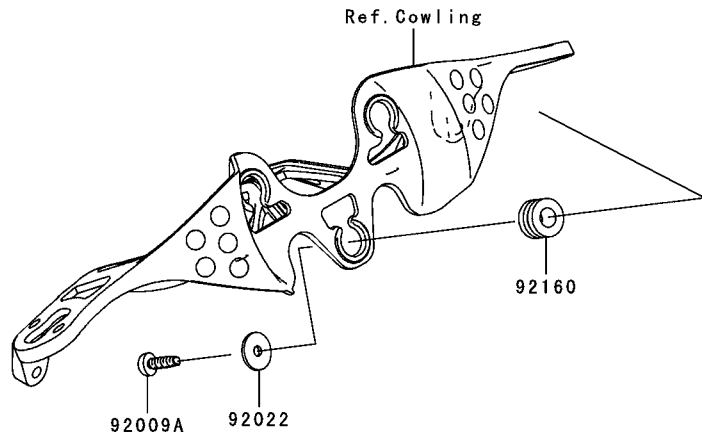
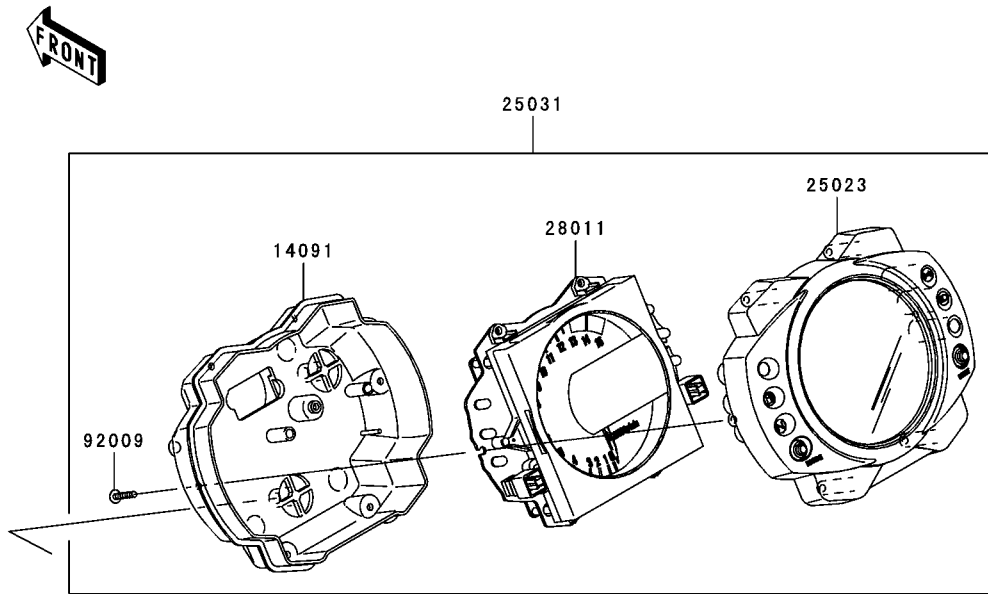
G-3

This grid covers:

Meter(s)

F2530

Ref. No.	Part No.	Description	Spec Code	Quantity-ZX1000			
				'06	'07		
				D6F	D7F		
14091	14091-0531	COVER,METER,LWR		1	1		
25023	25023-0016	COVER-METER CASE,UPP		1	1		
25031	25031-0084	METER-ASSY		1	1		
28011	28011-0043	METER,SPEEDO		1	1		
92009	92009-1164	SCREW,TAPPING,3X16		7	7		
92009A	92009-1197	SCREW,TAPPING,5X14		3	3		
92022	92022-1405	WASHER,5.5X20X1.2		3	3		
92160	92160-1167	DAMPER		3	3		



This catalog covers:

'06~'07 ZX1000 D6F/D7F Chassis

GRID NO.

G-4

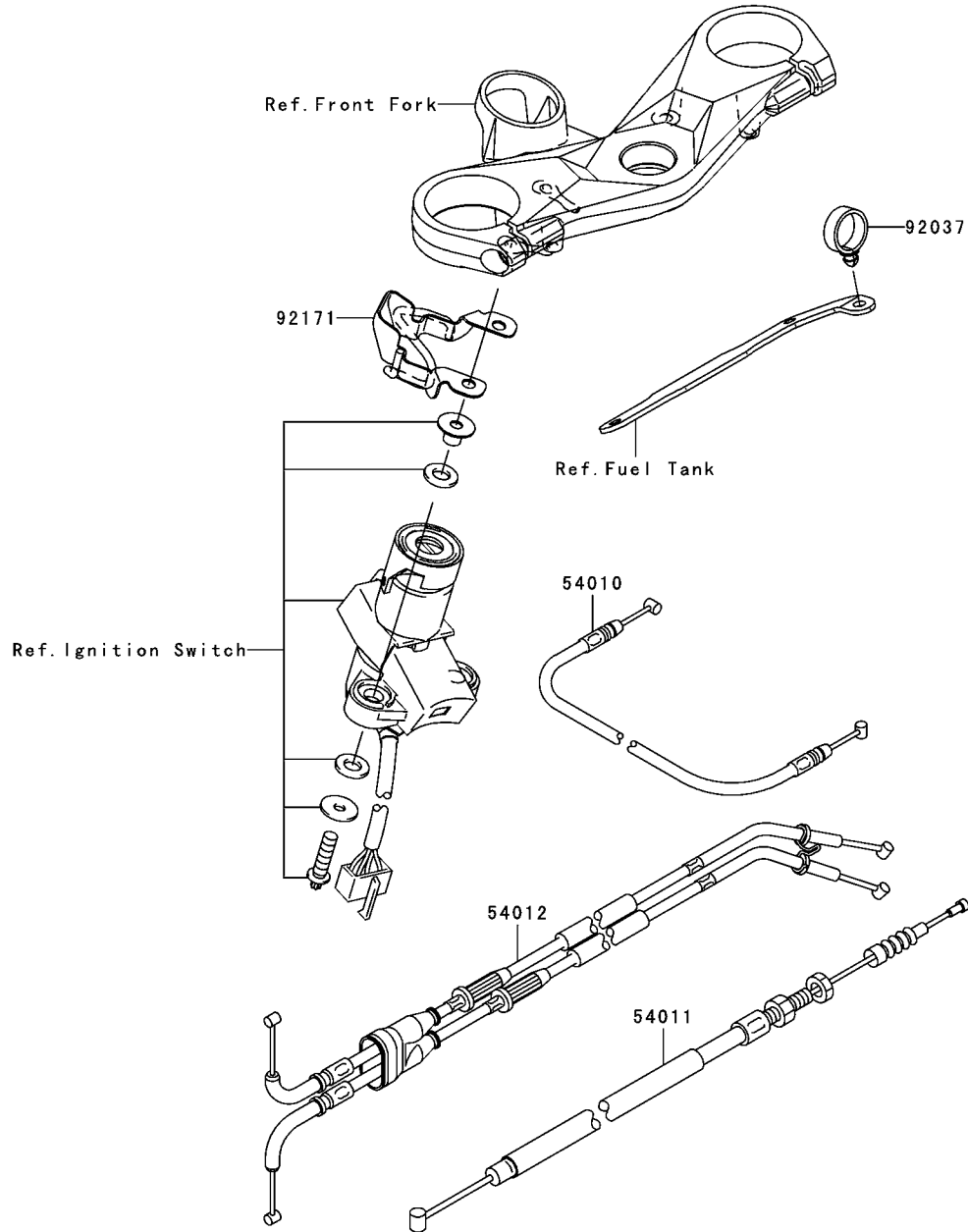
This grid covers:

Cables

F2540

Ref. No.	Part No.	Description	Spec Code	Quantity-ZX1000			
				'06	'07		
				D6F	D7F		

54010	54010-1117	CABLE,SEAT LOCK	1	1		
54011	54011-0048	CABLE-CLUTCH	1	1		
54012	54012-0165	CABLE-THROTTLE	1	1		
92037	92037-1827	CLAMP,HOSE	1	1		
92171	92171-0675	CLAMP,CABLE	1	1		



This catalog covers:

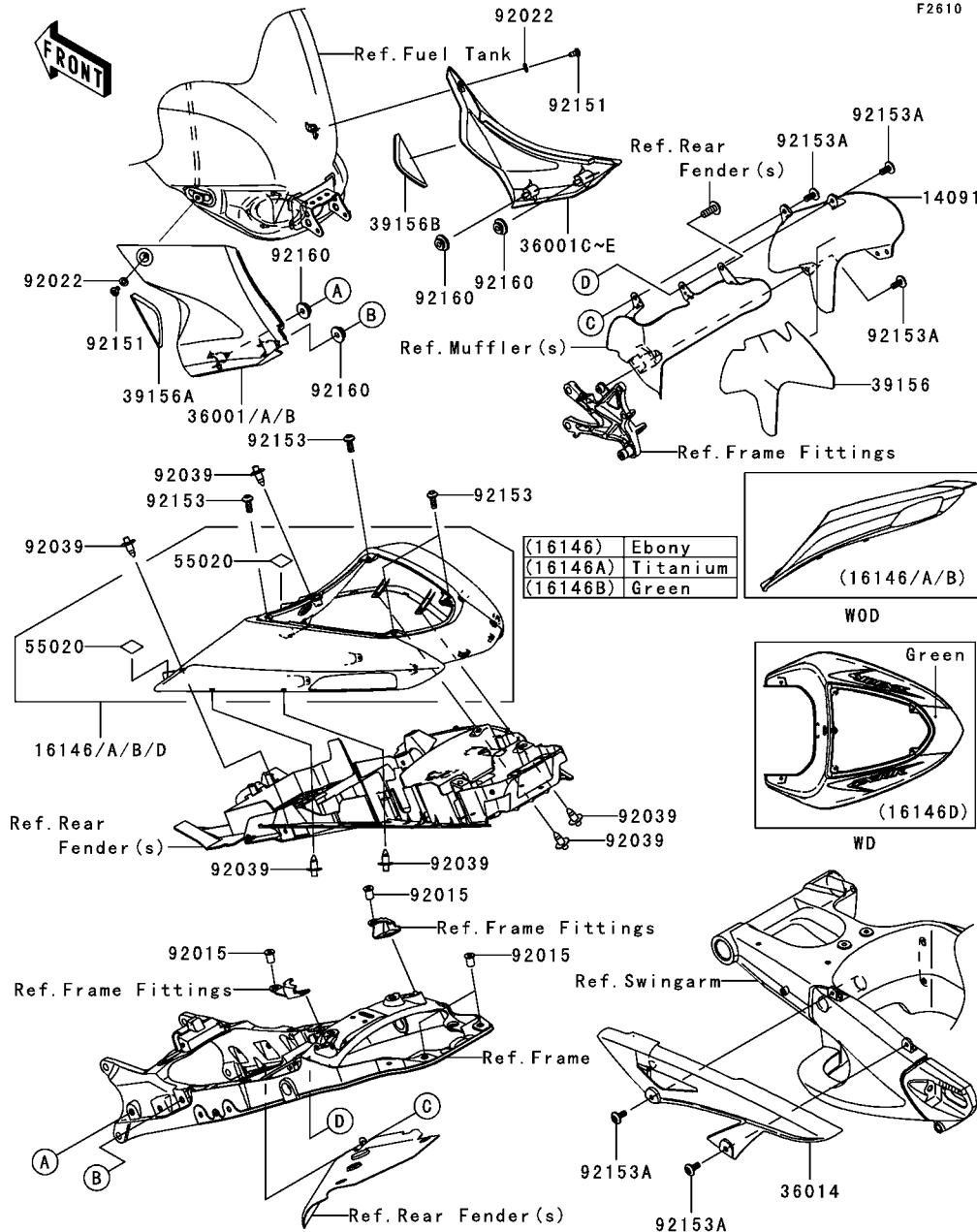
'06~'07 ZX1000 D6F/D7F Chassis

GRID NO.

G-5

This grid covers:

Side Covers/Chain Cover



F2610

Ref. No.	Part No.	Description	Quantity-ZX1000			
			'06	'07		
			D6F	D7F		
14091	14091-0499	COVER,JOINT PIPE	1	1		
16146	16146-0040-H8	COVER-ASSY,TAIL,EBONY	1	1		
16146A	16146-0040-725	COVER-ASSY,TAIL,M.F.R.TITANIUM	1			
16146B	16146-0040-777	COVER-ASSY,TAIL,L.GREEN	1			
16146D	16146-5146-777	COVER-ASSY,TAIL,L.GREEN		1		
36001	36001-0071-H8	COVER-SIDE,LH,EBONY	1	1		
36001A	36001-0071-725	COVER-SIDE,LH,M.F.R.TITANIUM	1			
36001B	36001-0071-777	COVER-SIDE,LH,L.GREEN	1	1		
36001C	36001-0072-H8	COVER-SIDE,RH,EBONY	1	1		
36001D	36001-0072-725	COVER-SIDE,RH,M.F.R.TITANIUM	1			
36001E	36001-0072-777	COVER-SIDE,RH,L.GREEN	1	1		
36014	36014-0029	CASE-CHAIN	1	1		
39156	39156-0138	PAD,JOINT PIPE COVER	1	1		
39156A	39156-0144	PAD,SIDE COVER,LH	1	1		
39156B	39156-0145	PAD,SIDE COVER,RH	1	1		
55020	55020-0241	GUARD	2	2		
92015	92015-1757	NUT,WELL,5MM	4	4		
92022	92022-183	WASHER,6.2X11X1.5	2	2		
92039	92039-0015	RIVET	6	6		
92151	92151-1219	BOLT,SOCKET,6X12	2	2		
92153	92153-1244	BOLT,SOCKET,5X16	4	4		
92153A	92153-1612	BOLT,SOCKET,6X14	5	5		
92160	92160-1613	DAMPER	4	4		

This catalog covers:

'06~'07 ZX1000 D6F/D7F Chassis

GRID NO.

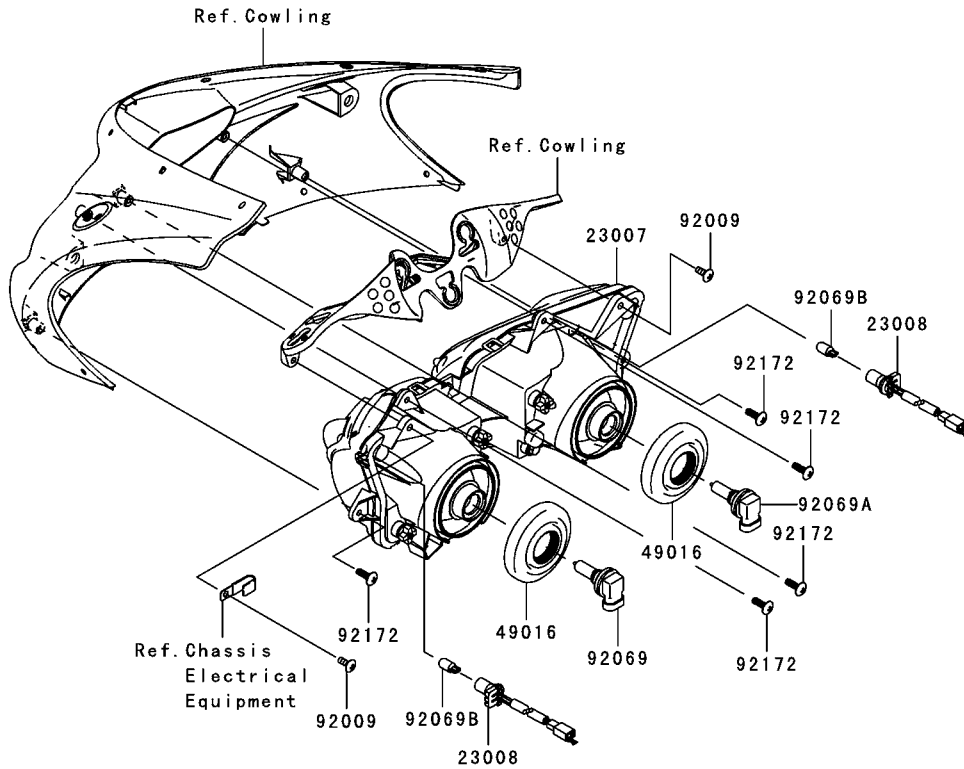
G-6

This grid covers:

Headlight(s)

F2710

Ref. No.	Part No.	Description	Spec Code	Quantity-ZX1000			
				'06	'07		
				D6F	D7F		
23007	23007-0069	LENS-COMP,HEAD LAMP	1	1			
23008	23008-1619	SOCKET-ASSY,HEAD LAMP	2	2			
49016	49016-0023	COVER-SEAL,HEAD LAMP	2	2			
92009	92009-3830	SCREW,6X15	2	2			
92069	92069-0007	BULB,12V 65W,H9	1	1			
92069A	92069-0014	BULB,12V 55W,H11	1	1			
92069B	92069-1016	BULB,12V 5W	2	2			
92172	92172-0175	SCREW,TAPPING,5X16	5	5			



This catalog covers:

'06~'07 ZX1000 D6F/D7F Chassis

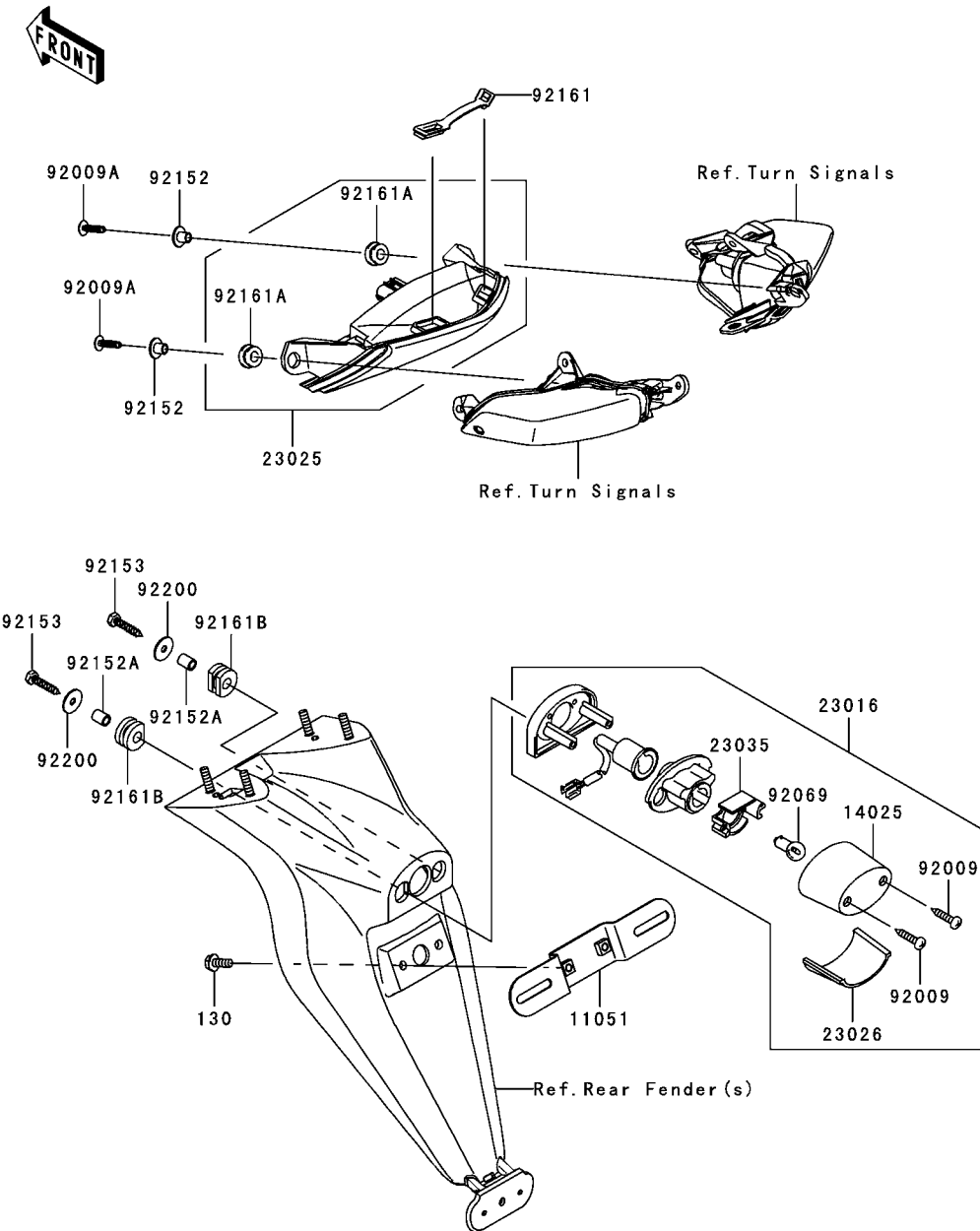
GRID NO.

G-7

This grid covers:

Taillight(s)

F2720



Ref. No.	Part No.	Description	Spec Code	Quantity-ZX1000			
				'06	'07		
				D6F	D7F		
11051	11051-1503	BRACKET,LICENSE	1	1			
14025	14025-1725	COVER,LICENSE LAMP	1	1			
23016	23016-0008	LAMP-ASSY,LICENSE	1	1			
23025	23025-0013	LAMP-TAIL	1	1			
23026	23026-1064	LENS,LICENSE LAMP	1	1			
23035	23035-1066	REFLECTOR-LAMP,LICENSE	1	1			
92009	92009-1378	SCREW,TAPPING,4X20	2	2			
92009A	92009-1993	SCREW,TAPPING,5X20	2	2			
92069	92069-1055	BULB,12V 5W	1	1			
92152	92152-0092	COLLAR	2	2			
92152A	92152-0372	COLLAR,6X9X11.5	2	2			
92153	92153-1424	BOLT,TAPPING,5X25	2	2			
92161	92161-0191	DAMPER,TAIL LAMP	1	1			
92161A	92161-1188	DAMPER	2	2			
92161B	92161-1313	DAMPER	2	2			
92200	92200-0284	WASHER,5.5X20X1.2	2	2			
130	130L0616	BOLT-FLANGED,6X16	2	2			

This catalog covers:

'06~'07 ZX1000 D6F/D7F Chassis

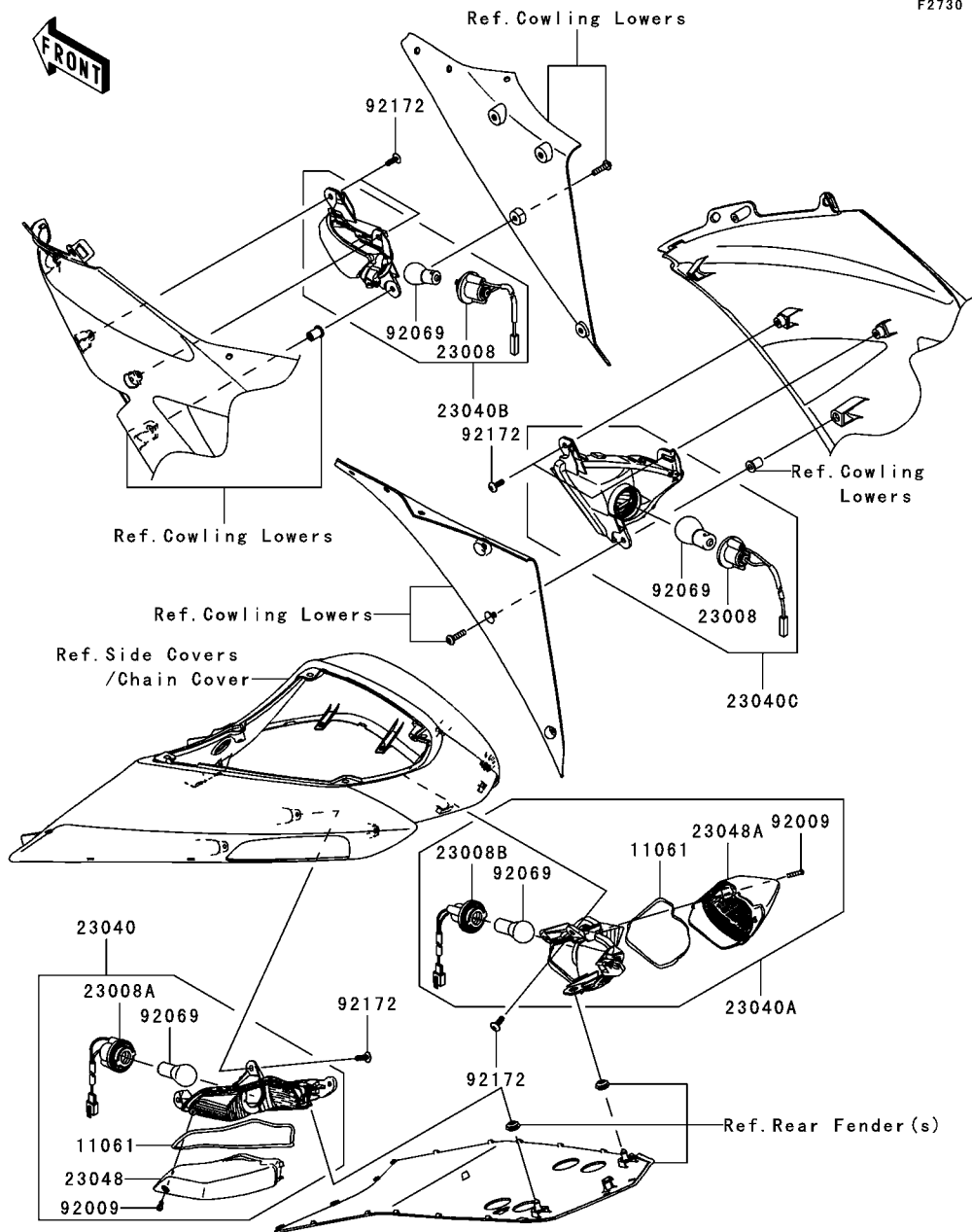
GRID NO.

G-8

This grid covers:

Turn Signals

F2730



Ref. No.	Part No.	Description	Spec Code	Quantity-ZX1000			
				'06	'07		
				D6F	D7F		
11061	11061-0217	GASKET,SIGNAL LAMP		2	2		
23008	23008-0044	SOCKET-ASSY,SIGNAL LAMP,FR		2	2		
23008A	23008-0048	SOCKET-ASSY,SIGNAL LAMP,RR,LH		1	1		
23008B	23008-0049	SOCKET-ASSY,SIGNAL LAMP,RR,RH		1	1		
23040	23040-0055	LAMP-SIGNAL,RR,LH		1	1		
23040A	23040-0056	LAMP-SIGNAL,RR,RH		1	1		
23040B	23040-0059	LAMP-SIGNAL,FR,LH		1	1		
23040C	23040-0060	LAMP-SIGNAL,FR,RH		1	1		
23048	23048-0010	LENS-SIGNAL LAMP,RR,LH		1	1		
23048A	23048-0011	LENS-SIGNAL LAMP,RR,RH		1	1		
92009	92009-1912	SCREW,TAPPING,4X16		2	2		
92069	92069-1125	BULB,12V 21W		4	4		
92172	92172-0175	SCREW,TAPPING,5X16		10	10		

This catalog covers:

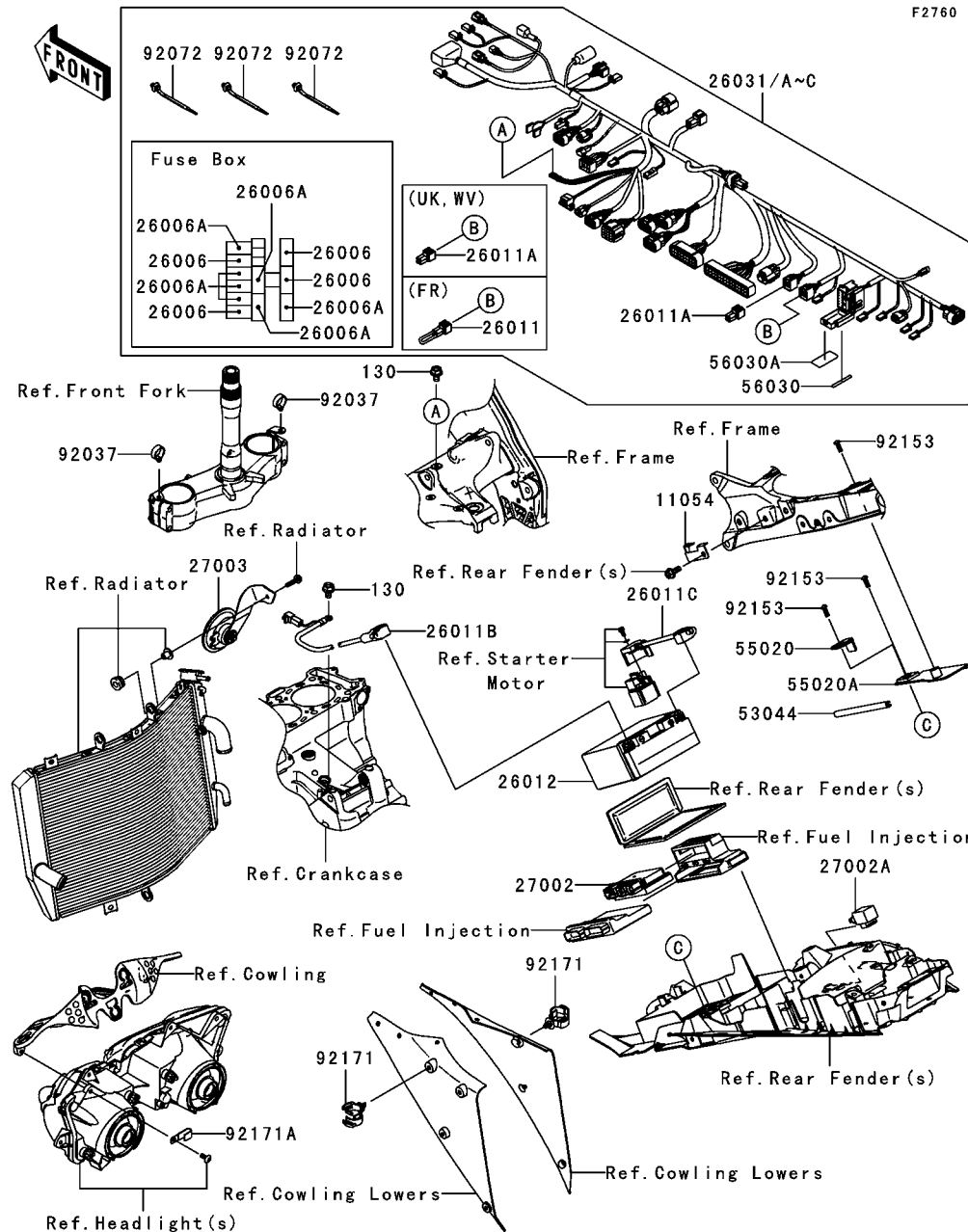
'06~'07 ZX1000 D6F/D7F Chassis

GRID NO.

G-9

This grid covers:

Chassis Electrical Equipment



Ref. No.	Part No.	Description	Spec Code	Quantity-ZX1000				
				'06	'07			
				D6F	D7F			
11054	11054-0043	BRACKET			1	1		
26006	26006-0001	FUSE,15A			4	4		
26006A	26006-1078	FUSE,10A			7	7		
26011	26011-0036	WIRE-LEAD						
		L-----	FR		1	1		
26011A	26011-0037	WIRE-LEAD						
		L-----	FR		1	1		
		L-----	UK,WV		2	2		
26011B	26011-0078	WIRE-LEAD,BATTERY(-)			1	1		
26011C	26011-0079	WIRE-LEAD,BATTERY(+)			1	1		
26012	26012-0036	BATTERY,YT12B-BS,12V 12AH			1	1		
26031	26031-0442	HARNESS,MAIN						
		L-----	UK,WV		1			
26031A	26031-0443	HARNESS,MAIN						
		L-----	FR		1			
26031B	26031-0493	HARNESS,MAIN						
		L-----	UK,WV			1		
26031C	26031-0494	HARNESS,MAIN						
		L-----	FR			1		
27002	27002-0007	RELAY-ASSY			1	1		
27002A	27002-1101	RELAY-ASSY,TURN SIGNAL			1	1		
27003	27003-0041	HORN			1	1		
53044	53044-0016	TRIM			1	1		
55020	55020-0245	GUARD,ECU			1	1		
55020A	55020-0246	GUARD,ECU			1	1		
56030	56030-0098	LABEL,FUSE BOX			1	1		
56030A	56030-0109	LABEL,FUSE BOX			1	1		
92037	92037-1827	CLAMP,HOSE			2	2		
92072	92072-1414	BAND			3	3		
92153	92153-0932	BOLT,6X16			3	3		
92171	92171-0068	CLAMP,CLIP,DIA=20			2	2		
92171A	92171-0305	CLAMP			1	1		
130	130V0610	BOLT-FLANGED,6X10			2	2		

This catalog covers:

'06~'07 ZX1000 D6F/D7F Chassis

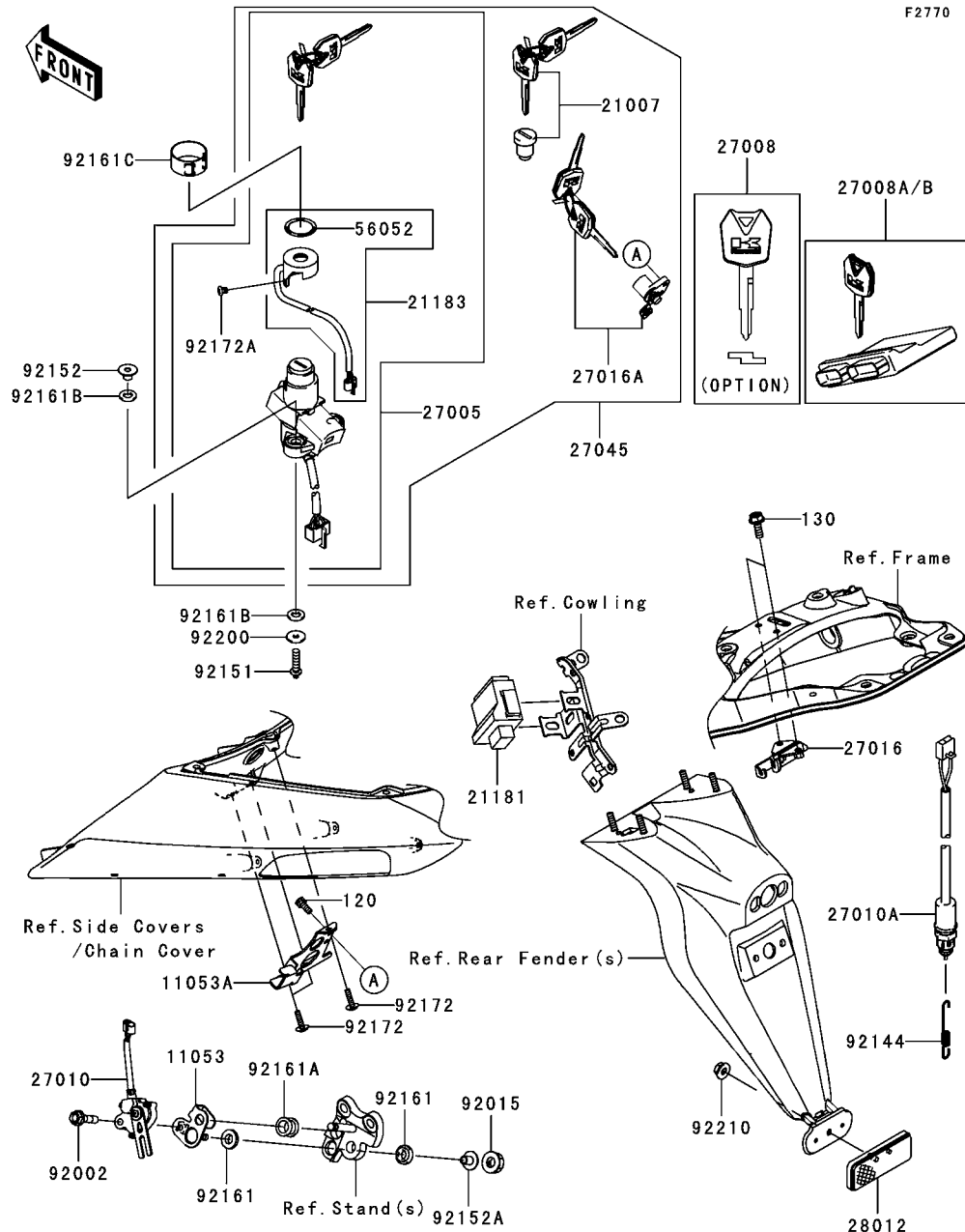
GRID NO.

G-10

This grid covers:

Ignition Switch

F2770



Ref. No.	Part No.	Description	Spec Code	Quantity-ZX1000			
				'06	'07		
				D6F	D7F		
11053	11053-0723	BRACKET,SIDE STAND SWITCH	1	1			
11053A	11053-1856	BRACKET,SEAT LOCK	1	1			
21007	21007-5056	ROTOR,LOCK,TANK CAP	1	1			
21181	21181-0001	AMPLIFIER,IMMOBI	1	1			
21183	21183-0002	ANTENNA,IMMOBI	2	2			
27005	27005-5138	SWITCH-ASSY-IGNITION	1	1			
27008	27008-0029	KEY-LOCK,BLANK,IMMOBI,SUB	1	1			
	(OPTION)						
27008A	27008-5020	MASTER KEY SET(BLANK),IMMOBI					
	L-----	UK,WV	1	1			
27008B	27008-5021	MASTER KEY SET(BLANK),IMMOBI					
	L-----	FR	1	1			
27010	27010-1455	SWITCH,SIDE STAND	1	1			
27010A	27010-1486	SWITCH,REAR BRAKE	1	1			
27016	27016-1115	LOCK-ASSY,SEAT STRIKER	1	1			
27016A	27016-5310	LOCK-ASSY,SEAT	1	1			
27045	27045-5338	SWITCH-ASSY	1	1			
28012	28012-1077	REFLECTOR-REFLEX	1	1			
56052	56052-0292	MARK,IMMOBI	2	2			
92002	92002-1582	BOLT,FLANGED,6X25	1	1			
92015	92015-1386	NUT,6MM	1	1			
92144	92144-1139	SPRING,BRAKE LAMP SWITCH	1	1			
92151	92151-1946	BOLT,TORX,6X22	2	2			
92152	92152-0352	COLLAR	2	2			
92152A	92152-1074	COLLAR	1	1			
92161	92161-0117	DAMPER	2	2			
92161A	92161-0118	DAMPER	1	1			
92161B	92161-0240	DAMPER,IGNITION SWITCH	4	4			
92161C	92161-0257	DAMPER,IGNITION SWITCH	1	1			
92172	92172-0175	SCREW,TAPPING,5X16	3	3			
92172A	92172-0188	SCREW,4X8	4	4			
92200	92200-0212	WASHER,6X20X1.6	2	2			
92210	92210-0007	NUT,FLANGED,5MM	1	1			
120	120S0512	BOLT-SOCKET,5X12	2	2			
130	130L0616	BOLT-FLANGED,6X16	2	2			

This catalog covers:

'06~'07 ZX1000 D6F/D7F Chassis

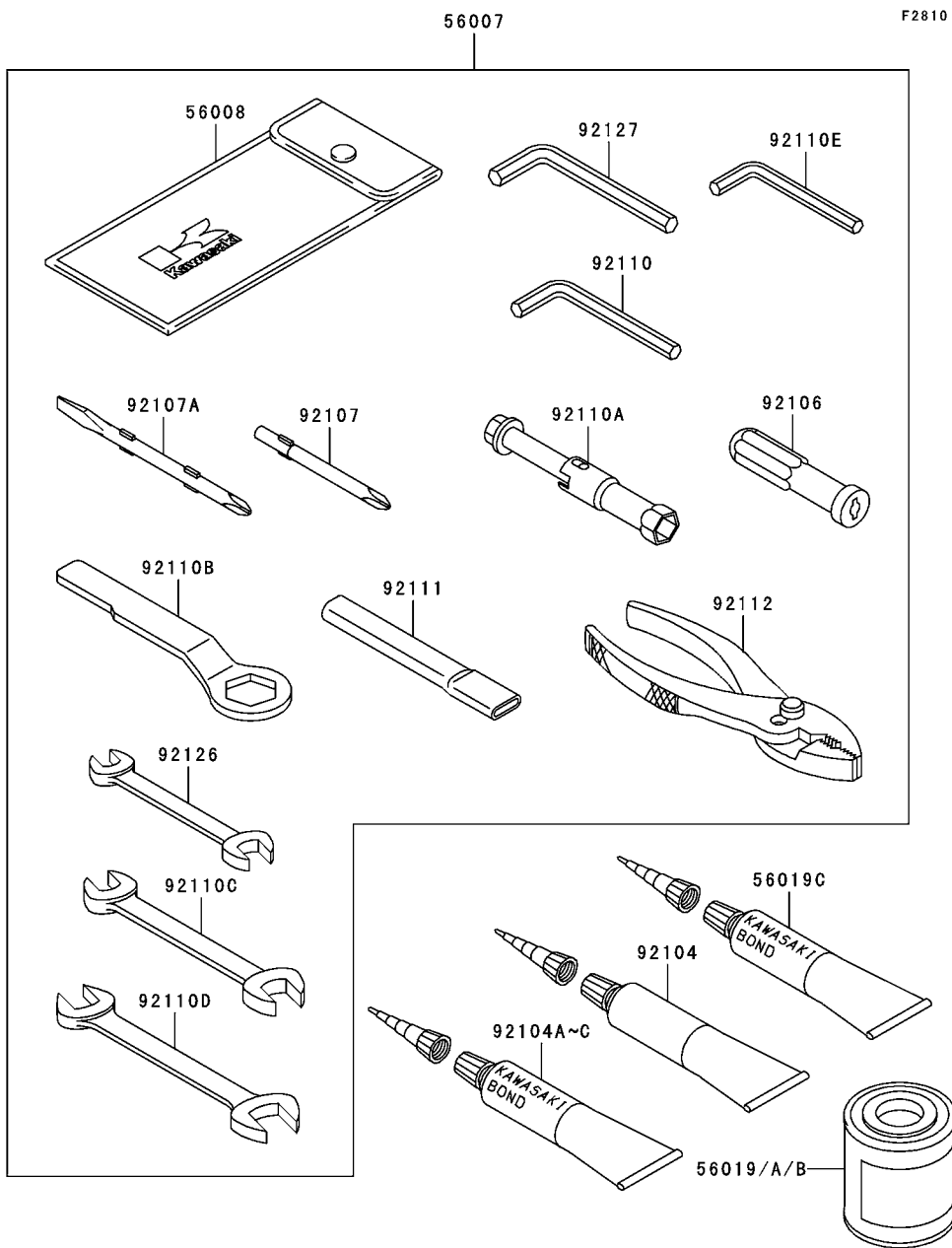
GRID NO.

G-11

This grid covers:

Owner's Tools

F2810



Ref. No.	Part No.	Description	Spec Code	Quantity-ZX1000	
				'06	'07
				D6F	D7F
56007	56007-0009	TOOL-KIT	1	1	
56008	56008-006	BAG,TOOL	1	1	
56019	56019-108-H8	PAINT,1/12L,EBONY	1	1	
56019A	56019-108-725	PAINT,1/12L,TITANIUM	1		
56019B	56019-108-777	PAINT,1/12L,L.GREEN	1	1	
56019C	56019-120	THREE BOND TB1211,HT/RS,WHITE	1	1	
92104	92104-0002	GASKET-LIQUID,SUPER-X,NO.8008	1	1	
92104A	92104-0004	GASKET-LIQUID,TB1211F	1	1	
92104B	92104-1062	GASKET-LIQUID,BLACK TB1215B	1	1	
92104C	92104-1064	GASKET-LIQUID,BLACK TB1216B	1	1	
92106	92106-1001	GRIP-SCREW DRIVER	1	1	
92107	92107-005	TOOL-DRIVER,#3PHILLIPS	1	1	
92107A	92107-1051	TOOL-DRIVER,#2PHILLIPS&SLOT	1	1	
92110	92110-1015	TOOL-WRENCH,ALLEN,5MM	1	1	
92110A	92110-1132	TOOL-WRENCH,BOX,16MM	1	1	
92110B	92110-1147	TOOL-WRENCH,BOX END,27MM	1	1	
92110C	92110-1152	TOOL-WRENCH,OPEN END,10X12	1	1	
92110D	92110-1153	TOOL-WRENCH,OPEN END,14X17	1	1	
92110E	92110-3703	TOOL-WRENCH,ALLEN,4MM	1	1	
92111	92111-1051	TOOL-BAR,BOX END WRENCH	1	1	
92112	92112-1001	TOOL-PLIERS	1	1	
92126	92126-004	TOOL-WRENCH,OPEN END,8X10	1	1	
92127	92127-003	TOOL-WRENCH,ALLEN,6MM	1	1	

This catalog covers:

'06~'07 ZX1000 D6F/D7F Chassis

GRID NO.

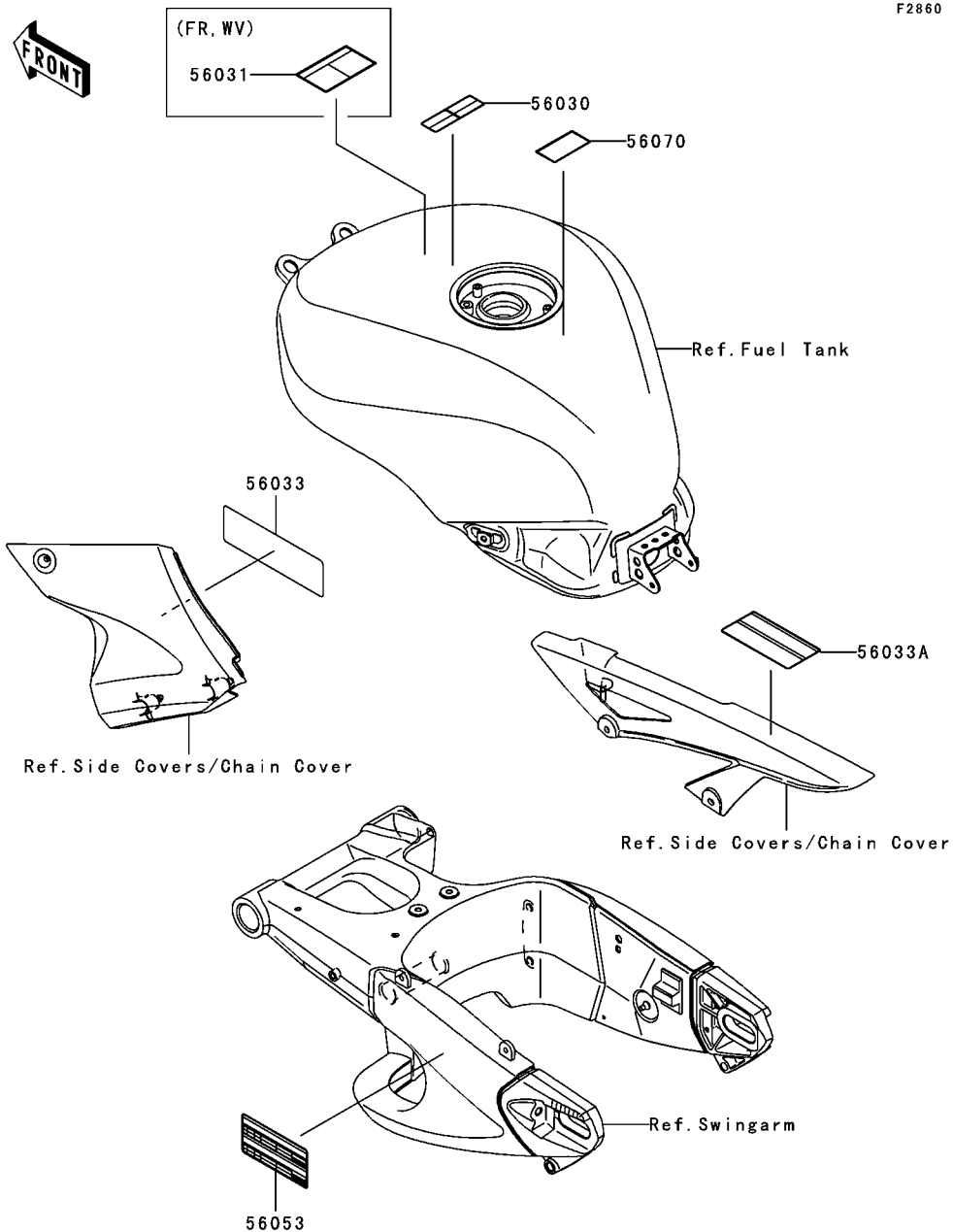
G-12

This grid covers:

Labels

F2860

Ref. No.	Part No.	Description	Spec Code	Quantity-ZX1000			
				'06	'07		
				D6F	D7F		
56030	56030-1211	LABEL,GASOLINE	1	1			
56031	56031-1441	LABEL-MANUAL,ENGLISH/FRENCH					
		L-----FR,WV	1	1			
56033	56033-0124	LABEL-MANUAL,DAILY SAFETY	1	1			
56033A	56033-0126	LABEL-MANUAL,CHAIN	1	1			
56053	56053-0168	LABEL-SPECIFICATION,TIRE&LOAD	1	1			
56070	56070-1143	LABEL,UNLEADED PETROL ONLY	1	1			



This catalog covers:

'06~'07 ZX1000 D6F/D7F Chassis

GRID NO.

G-13

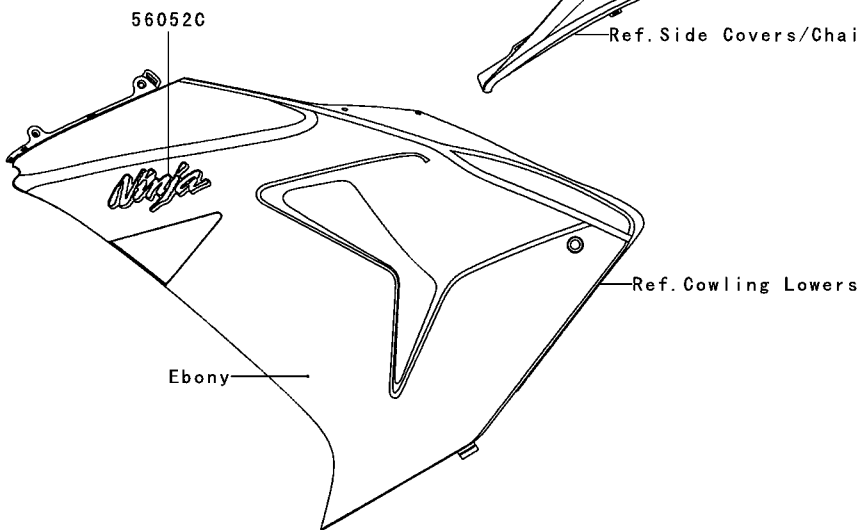
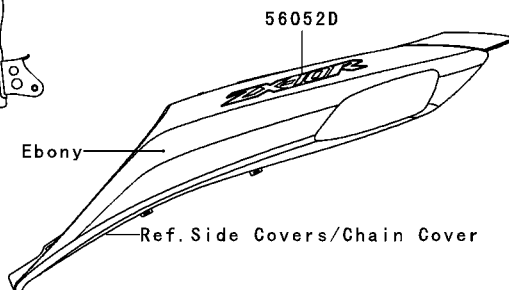
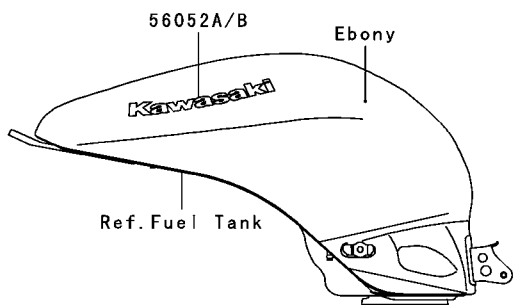
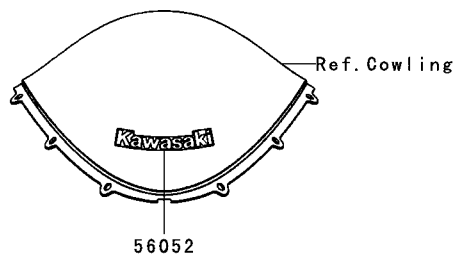
This grid covers:

Decals(Ebony)(D6F)

F2861

Ref. No.	Part No.	Description	Spec Code	Quantity-ZX1000			
				'06	'07		
				D6F	D7F		

56052	56052-0154	MARK,WINDSHIELD,KAWASAKI		1			
56052A	56052-0797	MARK,FUEL TANK,LH,KAWASAKI		1			
56052B	56052-0798	MARK,FUEL TANK,RH,KAWASAKI		1			
56052C	56052-0799	MARK,CNT COWLING,NINJA		2			
56052D	56052-0801	MARK,TAIL COVER,ZX-10R		2			



This catalog covers:

'06~'07 ZX1000 D6F/D7F Chassis

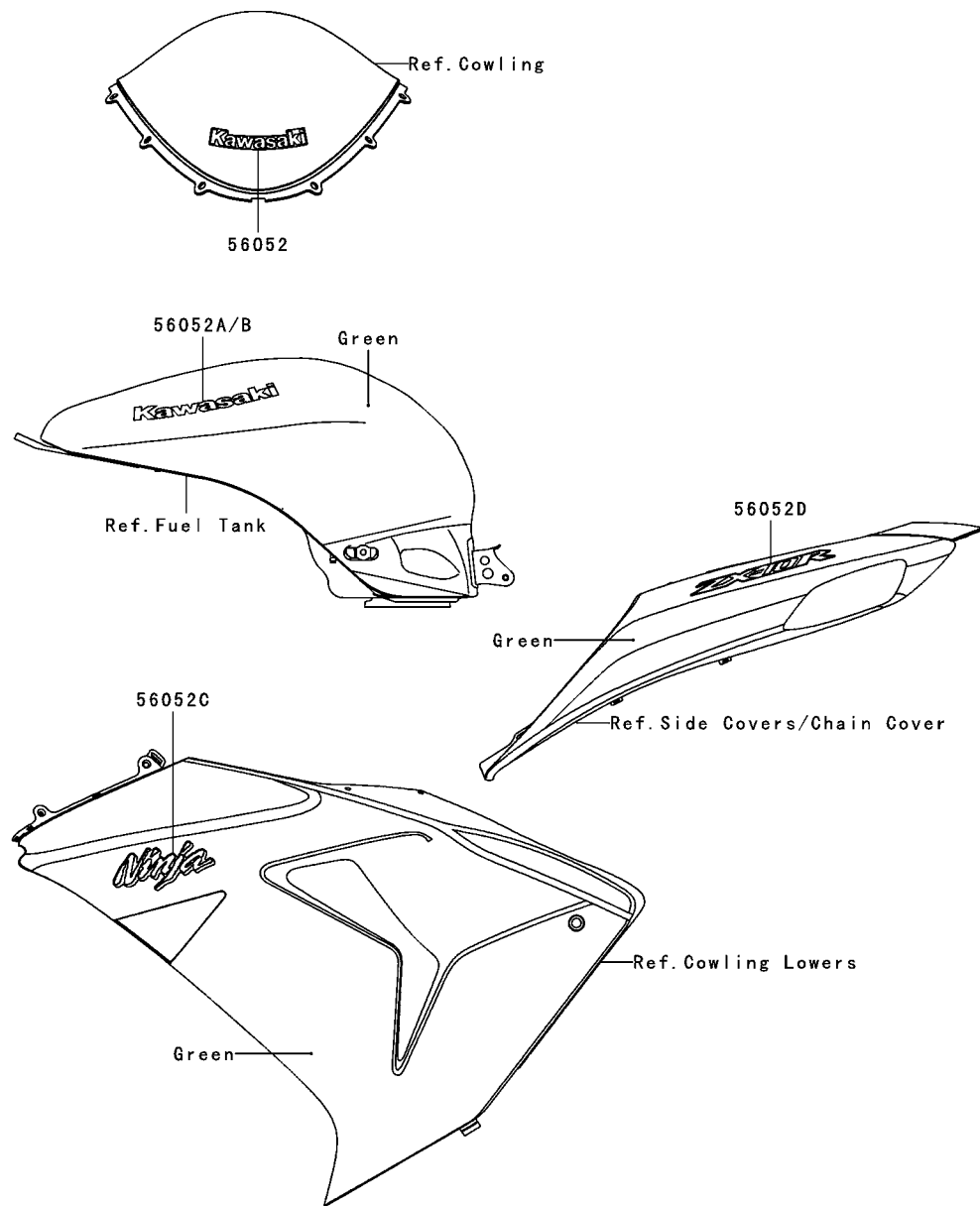
GRID NO.

G-14

This grid covers:

Decals(Green)(D6F)

F2861A



Ref. No.	Part No.	Description	Spec Code	Quantity-ZX1000			
				'06	'07		
				D6F	D7F		
56052	56052-0154	MARK,WINDSHIELD,KAWASAKI					1
56052A	56052-0792	MARK,FUEL TANK,LH,KAWASAKI					1
56052B	56052-0793	MARK,FUEL TANK,RH,KAWASAKI					1
56052C	56052-0794	MARK,CNT COWLING,NINJA					2
56052D	56052-0796	MARK,TAIL COVER,ZX-10R					2

This catalog covers:

'06~'07 ZX1000 D6F/D7F Chassis

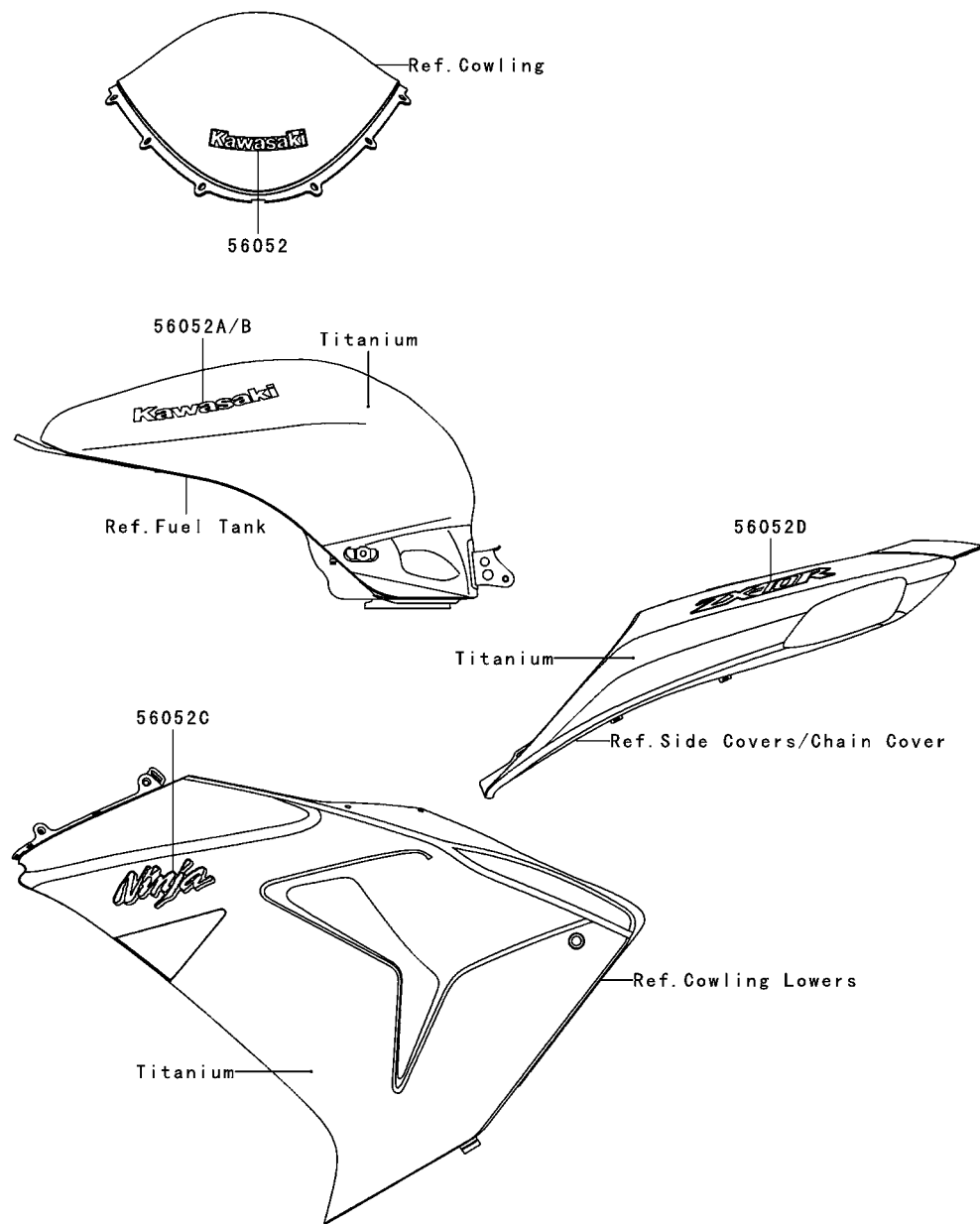
GRID NO.

H-3

This grid covers:

Decals(Titanium)(D6F)

F2861B



Ref. No.	Part No.	Description	Spec Code	Quantity-ZX1000			
				'06	'07		
56052	56052-0154	MARK,WINDSHIELD,KAWASAKI					1
56052A	56052-0805	MARK,FUEL TANK,LH,KAWASAKI					1
56052B	56052-0806	MARK,FUEL TANK,RH,KAWASAKI					1
56052C	56052-0807	MARK,CNT COWLING,NINJA					2
56052D	56052-0809	MARK,TAIL COVER,ZX-10R					2

This catalog covers:

'06~'07 ZX1000 D6F/D7F Chassis

GRID NO.

H-4

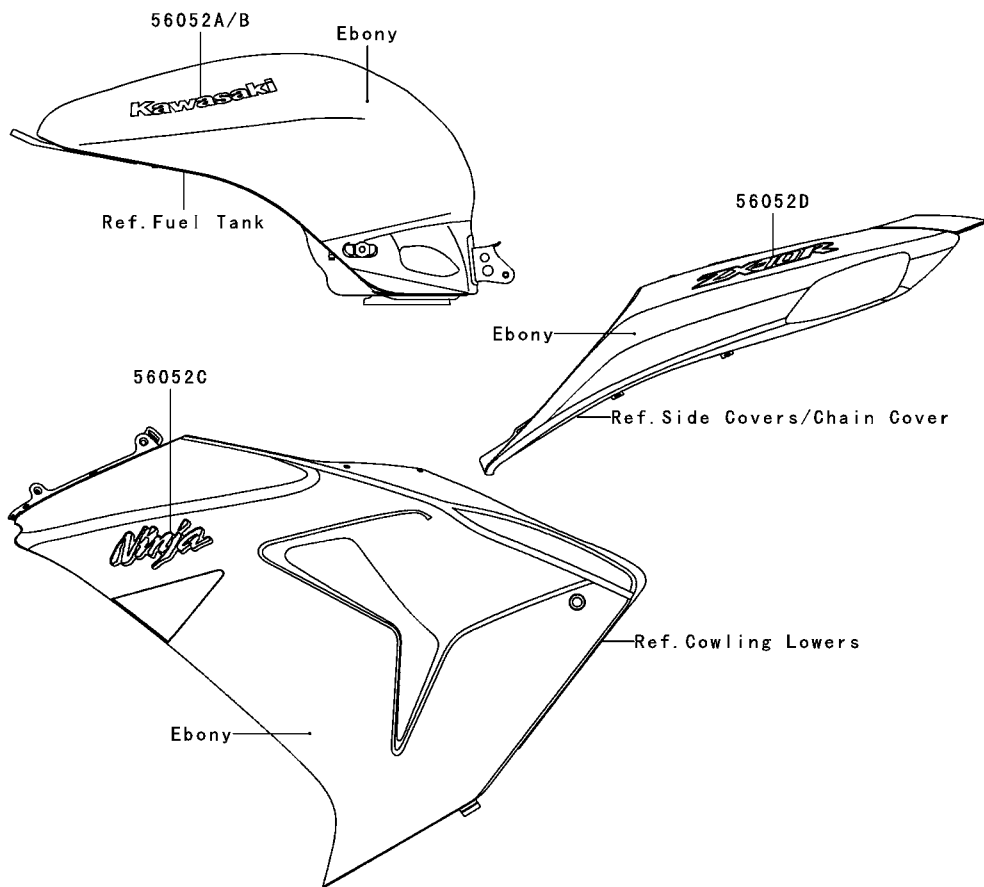
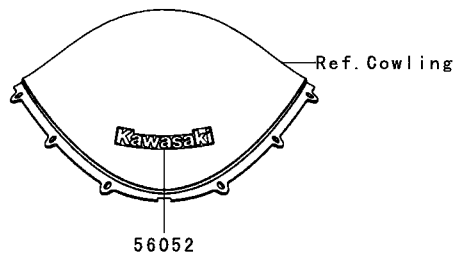
This grid covers:

Decals(Ebony)(D7F)

F2861C

Ref. No.	Part No.	Description	Spec Code	Quantity-ZX1000			
				'06	'07		
				D6F	D7F		

56052	56052-0154	MARK,WINDSHIELD,KAWASAKI					1
56052A	56052-0797	MARK,FUEL TANK,LH,KAWASAKI					1
56052B	56052-0798	MARK,FUEL TANK,RH,KAWASAKI					1
56052C	56052-0799	MARK,CNT COWLING,NINJA					2
56052D	56052-0801	MARK,TAIL COVER,ZX-10R					2



This catalog covers:

'06~'07 ZX1000 D6F/D7F Chassis

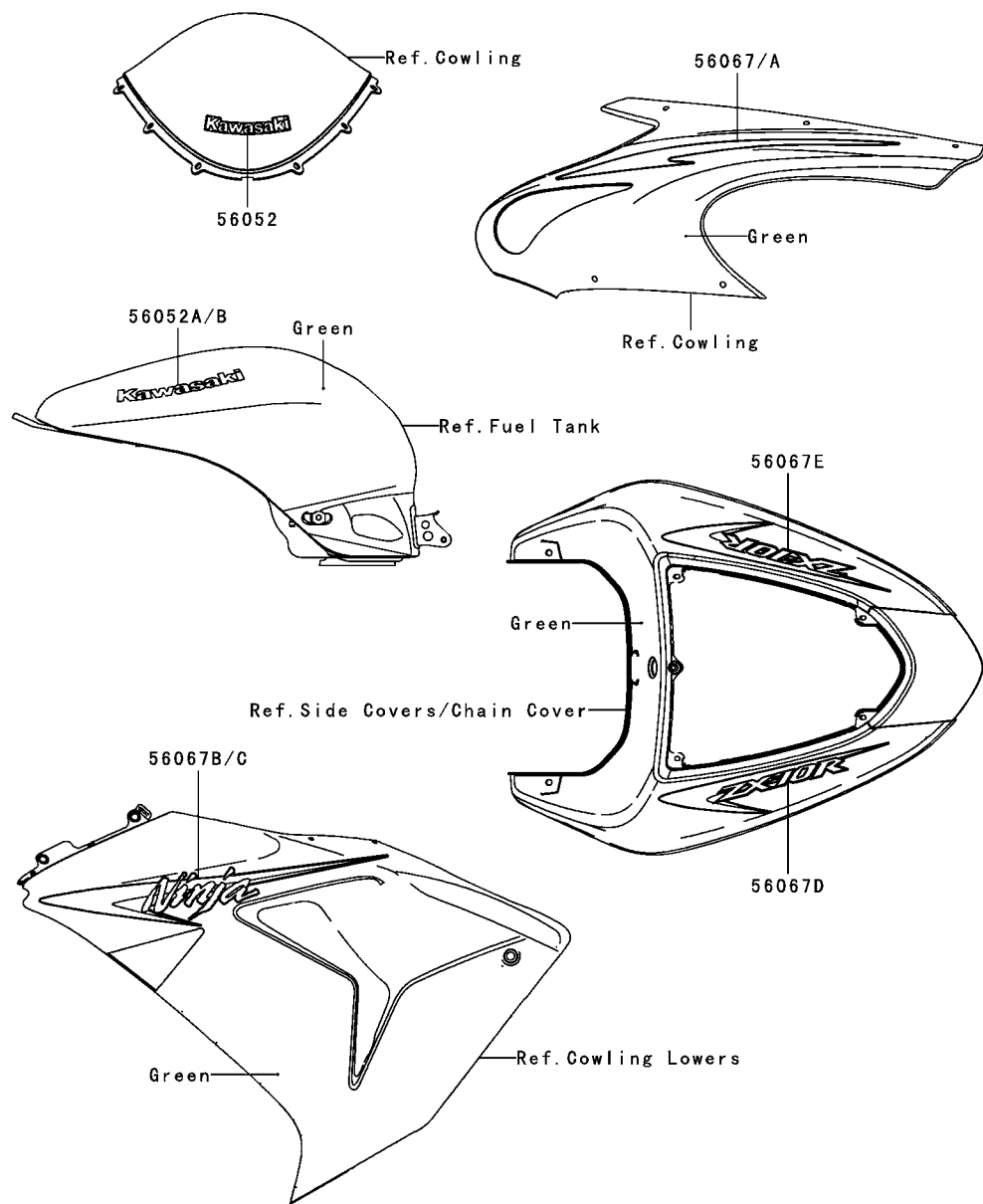
GRID NO.

H-5

This grid covers:

Decals(Green)(D7F)

F2861D



Ref. No.	Part No.	Description	Spec Code	Quantity-ZX1000			
				'06	'07		
				D6F	D7F		
56052	56052-0154	MARK,WINDSHIELD,KAWASAKI					1
56052A	56052-0792	MARK,FUEL TANK,LH,KAWASAKI					1
56052B	56052-0793	MARK,FUEL TANK,RH,KAWASAKI					1
56067	56067-1461	PATTERN,UPP COWLING,LH					1
56067A	56067-1462	PATTERN,UPP COWLING,RH					1
56067B	56067-1463	PATTERN,CNT COWLING,LH					1
56067C	56067-1464	PATTERN,CNT COWLING,RH					1
56067D	56067-1465	PATTERN,TAIL COVER,LH					1
56067E	56067-1466	PATTERN,TAIL COVER,RH					1

This catalog covers:

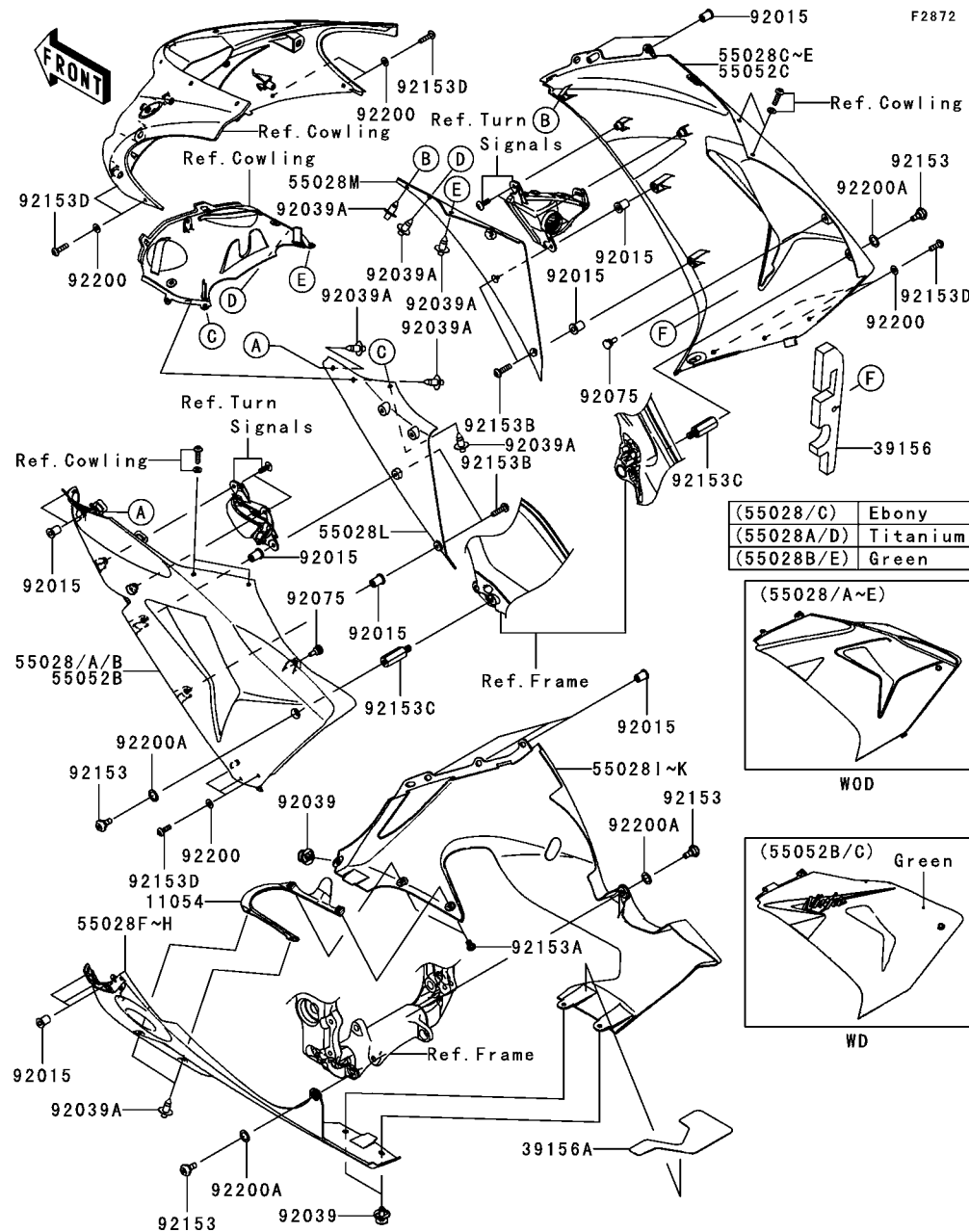
'06~'07 ZX1000 D6F/D7F Chassis

GRID NO.

H-7

This grid covers:

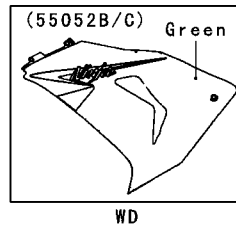
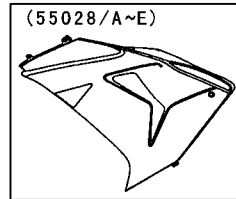
Cowling Lower



F2872

Ref. No.	Part No.	Description	Spec Code	Quantity-ZX1000	
				'06	'07
				D6F	D7F
11054	11054-0526	BRACKET	1	1	
39156	39156-0134	PAD	1	1	
39156A	39156-0136	PAD,LWR COWLING,RH	1	1	
55028	55028-0066-H8	COWLING,CNT,LH,EBONY	1	1	
55028A	55028-0066-725	COWLING,CNT,LH,M.FR.TITANIUM	1		
55028B	55028-0066-777	COWLING,CNT,LH,L.GREEN	1		
55028C	55028-0067-H8	COWLING,CNT,RH,EBONY	1	1	
55028D	55028-0067-725	COWLING,CNT,RH,M.FR.TITANIUM	1		
55028E	55028-0067-777	COWLING,CNT,RH,L.GREEN	1		
55028F	55028-0068-H8	COWLING,LWR,LH,EBONY	1	1	
55028G	55028-0068-11J	COWLING,LWR,LH,F.S.BLACK	1		
55028H	55028-0068-777	COWLING,LWR,LH,L.GREEN		1	
55028I	55028-0069-H8	COWLING,LWR,RH,EBONY	1	1	
55028J	55028-0069-11J	COWLING,LWR,RH,F.S.BLACK	1		
55028K	55028-0069-777	COWLING,LWR,RH,L.GREEN		1	
55028L	55028-0071	COWLING,FR,LH	1	1	
55028M	55028-0072	COWLING,FR,RH	1	1	
55052B	55052-5460-777	COWLING,CNT,LH,L.GREEN		1	
55052C	55052-5461-777	COWLING,CNT,RH,L.GREEN		1	
92015	92015-1757	NUT,WELL,5MM	14	14	
92039	92039-0014	RIVET	3	3	
92039A	92039-0023	RIVET	8	8	
92075	92075-1808	DAMPER	2	2	
92153	92153-0489	BOLT,SOCKET,6MM	4	4	
92153A	92153-0730	BOLT,SOCKET,6X11	2	2	
92153B	92153-0873	BOLT,SOCKET,5X20	4	4	
92153C	92153-0993	BOLT,8MM	2	2	
92153D	92153-1244	BOLT,SOCKET,5X16	10	10	
92200	92200-0006	WASHER,NYLONE,5.3X11.5X0.5	10	10	
92200A	92200-0157	WASHER,10.4X15.9X0.5	4	4	

(55028/C)	Ebony
(55028A/D)	Titanium
(55028B/E)	Green



This catalog covers:

'06~'07 ZX1000 D6F/D7F Chassis

GRID NO.

H-8

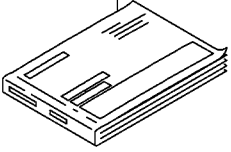
This grid covers:

Manual

F2920

Owner's Manual ('06)
(Local Procurement)

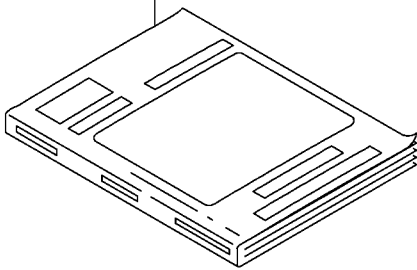
99976



Ref. No.	Language
(99976)	English German French Italian

Service Manual

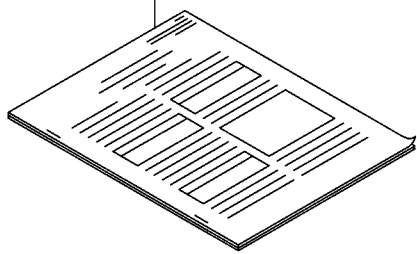
99924/99953/99954/99955/99956



Ref. No.	Language
(99924)	English
(99953)	German
(99954)	French
(99955)	Italian
(99956)	Spanish

A&P Manual

99931/99946/99950/99951/99952



Ref. No.	Language
(99931)	English
(99946)	German
(99950)	French
(99951)	Italian
(99952)	Spanish

Ref. No.	Part No.	Description	Spec Code	Quantity-ZX1000			
				'06	'07		
				D6F	D7F		
99924	99924-1365-01	SERVICE MANUAL,ENGLISH	1	1			
99931	99931-1460-01	A&P MANUAL,ENGLISH	1	1			
99946	99946-1031-01	A&P MANUAL,GERMAN	1	1			
99950	99950-1036-01	A&P MANUAL,FRENCH	1	1			
99951	99951-1022-01	A&P MANUAL,ITALIAN	1	1			
99952	99952-1006-01	A&P MANUAL,SPANISH	1	1			
99953	99953-1028-01	SERVICE MANUAL,GERMAN	1	1			
99954	99954-1037-01	SERVICE MANUAL,FRENCH	1	1			
99955	99955-1020-01	SERVICE MANUAL,ITALIAN	1	1			
99956	99956-1004-01	SERVICE MANUAL,SPANISH	1	1			
99976	99976-1265	OWNER'S MANUAL,MULTI	1				

This catalog covers:

'06~'07 ZX1000 D6F/D7F

GRID NO.

This grid covers:

L-12

Numerical Parts Index

Part No.	Grid No.	Part No.	Grid No.	Part No.	Grid No.	Part No.	Grid No.	Part No.	Grid No.	Part No.	Grid No.
11004-0049	B-3	12004-0019	B-9	130L0616	G-10	13280-1160	F-10	18091-0375	B-7	26006-0001	G-9
11008-0061	B-3	12005-0018	B-9	130L0616	G-7	13280-1263	D-3	180L0614	F-3	26006-1006	D-3
11009-1145	D-6	12009-0010	B-9	130L0616	H-6	132Y0825	C-7	186L0514	E-9	26006-1078	G-9
11009-1325	F-12	12011-1053	B-9	130L0635	B-8	14001-0062	C-5	21003-0054	C-13	26011-0036	G-9
11010-0070	B-5	12021-1130	B-4	130L0670	F-13	14013-1051	C-5	21007-0059	C-13	26011-0037	G-9
11010-0093	B-5	12032-0002	B-9	130V0610	G-9	14014-0012	C-5	21007-5056	G-10	26011-0078	G-9
11012-1084	D-6	12046-0049	B-11	130Y0610	C-5	14014-0021	C-5	21025-011	D-3	26011-0079	G-9
11013-0004	B-5	12048-0030	B-11	13102-0018	B-13	14025-1725	G-7	21039-1066	D-3	26011-0100	D-3
11051-1503	G-7	12053-0041	B-11	13107-0060	C-12	14026-0038	C-7	21040-1057	D-3	26012-0036	G-9
11053-0723	G-10	12053-0050	B-11	13107-0105	D-3	14031-0045-11E	C-7	21066-0008	C-13	26031-0344	C-9
11053-1545	F-5	12053-0062	B-11	13107-0124	D-3	14032-0087-11E	C-7	21163-0028	D-3	26031-0371	C-14
11053-1856	G-10	12053-0089	C-7	13107-0129	B-11	14037-0042	B-5	21171-0005	C-14	26031-0442	G-9
11053-1868	H-6	120P0620	F-10	13127-0027	B-14	14043-0006	B-5	21174-0003	B-7	26031-0443	G-9
11053-1871	H-6	120P0625	B-11	13128-0019	B-14	14073-0090	B-5	21175-0079	C-11	26031-0493	G-9
11053-1872	H-6	120P0630	C-13	13140-0027	C-3	14073-0091	B-5	21175-0095	C-11	26031-0494	G-9
11053-1973	C-7	120Q0620	B-13	13140-0028	C-3	14073-0093	B-5	21176-0026	C-11	27002-0007	G-9
11054-0023-11E	F-11	120S0510	D-3	13144-0004	B-14	14073-0094	B-5	21176-0042	C-5	27002-1101	G-9
11054-0043	G-9	120S0512	G-10	13145-0019	C-3	14073-0108	B-5	21176-0043	C-11	27003-0041	G-9
11054-0316	E-5	120W0522	C-11	13151-0017	C-3	14073-0109	B-5	21176-0058	C-11	27005-5138	G-10
11054-0327	F-7	120Z0616	B-8	13159-1052	F-8	14079-0018	B-5	21176-0058	C-9	27008-0029	G-10
11054-0327	F-8	120Z0630	B-3	13159-1056	F-7	14091-0103-6Z	E-9	21176-0064	C-11	27008-5020	G-10
11054-0488	B-3	13001-0063	B-12	13159-1061	F-5	14091-0104-6Z	E-9	21176-0077	C-11	27008-5021	G-10
11054-0499	F-7	13002-0004	B-12	13161-0036	C-4	14091-0469	C-7	21176-1120	C-11	27010-0025	F-5
11054-0526	H-7	13008-0005	B-12	13187-0006	B-13	14091-0470	C-7	21176-2106	C-11	27010-1313	C-5
11054-0554	C-9	13031-0083	B-12	13194-3704	D-3	14091-0485-11E	B-4	21181-0001	G-10	27010-1446	D-3
11054-0556	C-9	13042-0015	F-10	13236-0089	C-4	14091-0499	G-5	21183-0002	G-10	27010-1455	G-10
11054-0594	E-5	13070-0045	F-9	13236-0090	F-3	14091-0531	G-3	220C0525	F-10	27010-1486	G-10
11054-0595	E-5	13087-0010	B-13	13236-0091	C-4	14091-0653-11E	B-4	220C0535	F-10	27010-1492	F-10
11054-0885	C-7	13087-0011	B-13	13236-0103	F-5	16007-0003	B-9	220C0545	F-10	27016-1115	G-10
11054-1094	F-11	13088-0003	B-13	13239-0016	C-3	16014-0005	C-9	220D0506	C-9	27016-5310	G-10
11054-1254	F-8	13088-0013	B-13	13242-0019	C-4	16021-0007	C-9	220D0508	C-9	27045-5338	G-10
11060-1103	B-7	13089-0008	B-13	13251-0019-II	B-12	16065-0025	B-3	220D0612	C-9	28011-0043	G-3
11060-1330	B-7	13089-0009	B-13	13251-0023-II	B-12	16073-1123	C-9	23007-0069	G-6	28012-1077	G-10
11061-0056	B-5	13089-1093	B-13	13262-0135	B-14	16085-0102	D-3	23008-0044	G-8	318L0800	E-6
11061-0064	B-4	13091-1624	F-10	13262-0136	B-14	16097-0004	C-12	23008-0048	G-8	32033-1535	C-12
11061-0174	B-7	13091-1840	B-13	13262-0166	B-14	16115-1009	C-7	23008-0049	G-8	32037-0013	E-5
11061-0176	C-7	13095-0073	B-13	13262-0170	B-14	16126-1140	E-12	23008-1619	G-6	32043-0039-11E	E-11
11061-0177	C-7	130L0518	B-8	13262-0171	B-14	16126-1437	B-5	23016-0008	G-7	32046-0064	F-14
11061-0178	C-7	130L0518	D-6	13262-0288	B-14	16130-1059	C-12	23025-0013	G-7	32065-0009	E-10
11061-0179	C-7	130L0520	F-5	13262-0291	B-14	16142-0005	C-12	23026-1064	G-7	32085-0047	E-8
11061-0180	C-8	130L0610	F-7	13262-0293	B-14	16146-0040-725	G-5	23035-1066	G-7	32099-0019	D-3
11061-0203	B-7	130L0610	F-8	13262-0349	B-14	16146-0040-777	G-5	23040-0055	G-8	32099-0023	C-12
11061-0217	G-8	130L0612	F-5	13262-0350	B-14	16146-0040-H8	G-5	23040-0056	G-8	32099-1193	F-10
11061-0223	B-4	130L0612	F-7	13271-0148	C-5	16146-5146-777	G-5	23040-0059	G-8	32160-0133-11E	E-3
11061-0240	B-7	130L0612	F-8	13271-0594	C-5	16154-1124	C-12	23040-0060	G-8	32160-0136-11E	E-3
11065-0072	C-9	130L0612	H-6	13271-0608	F-13	16163-0072	C-9	23048-0010	G-8	32190-0196	E-4
11065-0127	B-5	130L0614	D-4	13271-0742	E-10	18018-0005	E-10	23048-0011	G-8	32190-0197	E-4
11065-0143	F-12	130L0616	C-5	13271-0792	C-9	18091-0305	B-7	236C0410	F-10	32190-0211	E-4
11065-0174	F-12	130L0616	F-11	13280-0149	B-5	18091-0306	B-7	25023-0016	G-3	33001-0071-11E	E-6
11065-1247	B-4	130L0616	F-14	13280-0152	B-5	18091-0374	B-7	25031-0084	G-3	33032-0013	E-6

This catalog covers:

'06~'07 ZX1000 D6F/D7F

GRID NO.

L-13

This grid covers:

Numerical Parts Index

Part No.	Grid No.	Part No.	Grid No.	Part No.	Grid No.	Part No.	Grid No.	Part No.	Grid No.	Part No.	Grid No.
33040-0016	E-6	39156-0133	B-7	43027-1051	F-8	44071-0299	F-11	51084-5150-725	F-13	55028-0074	H-6
33040-1109	E-6	39156-0134	H-7	43028-1057	F-5	44071-0395	F-12	51084-5317-H8	F-13	55052-5459-777	H-6
34024-0025-11E	E-11	39156-0135	E-5	43028-1057	F-7	44071-0396	F-12	51084-5322-777	F-13	55052-5460-777	H-7
34028-0004	E-8	39156-0136	H-7	43028-1057	F-8	44071-0412	F-11	52005-1120	C-5	55052-5461-777	H-7
34028-0005	E-8	39156-0137	B-7	43034-0011	F-9	45014-0117	F-4	53003-0062-MA	F-14	550AA2015	F-7
34028-0029	E-8	39156-0138	G-5	43034-1016	F-5	45014-0165	F-4	53003-0094-MA	F-14	550AA2015	F-8
34028-0030	E-8	39156-0140	E-10	43044-0002	F-9	46003-0050	F-10	53044-0016	G-9	550D4035	E-14
35004-0034-725	E-9	39156-0141	E-10	43048-0003	F-9	46003-0095	F-10	53044-1174	E-3	550S3025	E-5
35004-0034-777	E-9	39156-0142	F-13	43048-0004	F-6	46019-0001	F-10	53065-0005-725	F-14	551A0812	C-7
35004-0034-H8	E-9	39156-0144	G-5	43049-0003	F-6	46075-1144	F-10	53065-0005-777	F-14	555A0316	D-3
35004-0076-777	E-9	39156-0145	G-5	43049-1004	F-6	46076-0033	F-10	53065-0005-H8	F-14	56001-0058	H-6
35004-0076-H8	E-9	39178-0053	B-7	43049-1097	F-9	46091-0040	F-10	53066-0104-MA	F-14	56001-0059	H-6
35015-0008	E-10	39192-0029	D-6	43049-1107	F-6	46091-0043	F-10	53066-0151-MA	F-14	56007-0009	G-11
35022-0032	E-10	41009-0130	E-12	43056-1054	F-6	46092-0006	F-10	54010-0053	B-7	56008-006	G-11
35023-0070	E-10	41009-0131	E-12	43056-1054	F-9	46102-0047	B-13	54010-0054	B-7	56019-108-725	G-11
35023-0071-725	E-10	41046-0012	C-7	43056-1056	F-5	461K0500	D-3	54010-1117	G-4	56019-108-777	G-11
35023-0071-777	E-10	41068-0040	E-14	43057-003	F-6	480J1400	C-4	54011-0048	G-4	56019-108-H8	G-11
35023-0071-H8	E-10	41068-0041	E-13	43057-003	F-9	482L0100	E-8	54012-0165	G-4	56019-120	G-11
35034-0071-11E	E-6	41073-0081-11A	E-14	43057-1001	F-5	482L5000	E-8	55020-0193-10C	B-7	56030-0098	G-9
35063-0225	D-4	41073-0081-R2	E-14	43059-1696	F-5	49002-0009	B-3	55020-0194-10C	B-7	56030-0109	G-9
35063-0226	E-5	41073-0084-11A	E-13	43064-007	F-7	49006-1054	F-9	55020-0201	E-6	56030-1211	G-12
35063-0227	E-5	41073-0084-R2	E-13	43064-007	F-8	49006-1095	F-9	55020-0204	E-5	56031-1441	G-12
35063-0228	E-5	41075-0007	E-12	43078-0026	D-6	49006-1212	F-9	55020-0205	E-5	56033-0120	C-7
35063-0229	E-5	41075-0008	E-12	43078-1099	F-5	49016-0018	D-4	55020-0241	G-5	56033-0124	G-12
36001-0071-725	G-5	41075-0009	E-12	43078-1165	F-7	49016-0023	G-6	55020-0245	G-9	56033-0126	G-12
36001-0071-777	G-5	41080-0040	F-9	43078-1165	F-8	49016-1147	F-5	55020-0246	G-9	56052-0154	G-13
36001-0071-H8	G-5	41080-0098-11I	F-6	43080-0014-DJ	F-9	49033-0010	C-9	55020-0260	B-7	56052-0154	G-14
36001-0072-725	G-5	410AA0800	F-11	43080-0017-DJ	F-6	49034-0020	C-8	55020-0262-11J	B-7	56052-0154	H-3
36001-0072-777	G-5	411S0600	B-8	43080-0018-DJ	F-6	49040-0011	C-10	55020-0263-11J	B-7	56052-0154	H-4
36001-0072-H8	G-5	42033-0003	E-14	43082-0004	F-9	49044-0005	D-6	55020-0276	F-7	56052-0154	H-5
36014-0029	G-5	42036-1251	E-14	43082-0058	F-6	49047-0021	C-3	55020-0296	E-5	56052-0292	G-10
39007-0006	E-7	42036-1258	E-7	43084-003	F-9	49047-0022	C-3	55028-0065-725	H-6	56052-0378	E-3
39045-0015	B-5	42036-1341	E-6	43095-0067	F-5	49054-1067	D-6	55028-0065-777	H-6	56052-0379	E-3
39061-0060	D-4	42036-1342	E-7	43095-0190	F-7	49056-0013	C-9	55028-0065-H8	H-6	56052-0792	G-14
39062-0078	D-6	42036-1360	E-7	43095-0190	F-8	49056-0017	C-9	55028-0066-725	H-7	56052-0792	H-5
39062-0100	D-6	42041-0043	E-14	43095-0191	F-7	49062-0029	B-7	55028-0066-777	H-7	56052-0793	G-14
39062-0101	D-6	42045-018	E-14	43095-0278	F-5	49062-0030	B-7	55028-0066-H8	H-7	56052-0793	H-5
39062-0103	D-6	43010-1062	F-7	43095-0304	F-8	49065-0013	C-12	55028-0067-725	H-7	56052-0794	G-14
39062-0105	D-5	43010-1062	F-8	44008-0017	F-12	49078-0007	B-9	55028-0067-777	H-7	56052-0796	G-14
39062-0106	D-5	43015-0051	F-5	44013-0043	F-12	49078-0022	B-9	55028-0067-H8	H-7	56052-0797	G-13
39062-0107	D-6	43015-0080	F-7	44013-0044	F-12	49085-1066	D-4	55028-0068-11J	H-7	56052-0797	H-4
39062-0109	D-6	43015-0088	F-8	44013-0081	F-12	49091-0001	F-5	55028-0068-777	H-7	56052-0798	G-13
39062-1825	D-6	43020-0003	F-5	44013-0082	F-12	49091-0001	F-7	55028-0068-H8	H-7	56052-0798	H-4
39067-0009	D-5	43020-1094	F-7	44023-0045	F-12	49091-0001	F-8	55028-0069-11J	H-7	56052-0799	G-13
39076-0010	D-3	43020-1094	F-8	44026-0094	F-12	49118-0008	B-11	55028-0069-777	H-7	56052-0799	H-4
39111-0018	E-7	43026-1051	F-5	44037-0035	F-12	49118-0045	B-11	55028-0069-H8	H-7	56052-0801	G-13
39111-1157	C-4	43026-1051	F-7	44039-0037	F-12	51044-0024	C-10	55028-0070	H-6	56052-0801	H-4
39130-1078	B-13	43026-1051	F-8	44039-0051	F-12	51049-0014	F-13	55028-0071	H-7	56052-0805	H-3
39130-1079	B-13	43027-1051	F-5	44071-0264	F-12	51084-5144-777	F-13	55028-0072	H-7	56052-0806	H-3
39154-0016	H-6	43027-1051	F-7	44071-0265	F-12	51084-5147-H8	F-13	55028-0073	H-6	56052-0807	H-3

This catalog covers:

'06~'07 ZX1000 D6F/D7F

GRID NO.

This grid covers:

L-14 Numerical Parts Index

Part No.	Grid No.	Part No.	Grid No.	Part No.	Grid No.	Part No.	Grid No.	Part No.	Grid No.	Part No.	Grid No.
56052-0809	H-3	92009-1993	G-7	92033-1305	C-5	92049-1056	E-14	92066-1211	B-5	92139-0029	B-12
56053-0168	G-12	92009-3830	G-6	92033-3731	D-3	92049-1223	E-7	92069-0007	G-6	92139-0030	B-12
56067-1461	H-5	92015-1188	E-11	92037-010	F-13	92049-1225	E-7	92069-0014	G-6	92139-0031	B-12
56067-1462	H-5	92015-1233	F-5	92037-1124	C-9	92049-1314	E-6	92069-1016	G-6	92139-0032	B-12
56067-1463	H-5	92015-1262	E-10	92037-147	B-5	92049-1349	B-9	92069-1055	G-7	92139-0033	B-12
56067-1464	H-5	92015-1311	B-12	92037-147	D-6	92049-1352	E-6	92069-1125	G-8	92139-0034	B-12
56067-1465	H-5	92015-1386	G-10	92037-1547	F-8	92049-1377	E-13	92070-0014	C-14	92139-0036	B-14
56067-1466	H-5	92015-1402	B-7	92037-1827	F-5	92049-1382	E-3	92071-0024	D-3	92139-0037	B-14
56070-1143	G-12	92015-1476	D-3	92037-1827	G-4	92049-1474	C-5	92071-2140	B-5	92139-0038	B-14
59026-0009	C-14	92015-1487	D-4	92037-1827	G-9	92049-1475	C-7	92072-1176	E-5	92139-0066	B-14
59051-0038	C-12	92015-1531	F-14	92037-1941	D-6	92049-1493	E-7	92072-1306	E-5	92139-0067	B-13
59051-0057	D-3	92015-1603	E-10	92039-0014	H-7	92049-1520	C-5	92072-1414	G-9	92139-0122	B-12
59051-0058	D-3	92015-1700	B-7	92039-0015	G-5	92052-006	E-14	92075-0005	B-7	92139-0123	B-12
59071-0022	C-9	92015-1700	E-5	92039-0023	H-6	92055-0018	C-12	92075-1011	E-10	92139-0124	B-12
59091-0007	B-7	92015-1757	E-10	92039-0023	H-7	92055-0021	D-6	92075-1011	H-6	92143-1962	D-6
59502-0020	D-4	92015-1757	G-5	92042-007	B-3	92055-0053	B-11	92075-1067	H-6	92144-1029	C-4
600A0500	B-14	92015-1757	H-6	92042-007	C-7	92055-0069	D-6	92075-1123	D-4	92144-1139	G-10
600A0800	E-8	92015-1757	H-7	92042-014	C-12	92055-049	C-7	92075-1123	F-13	92144-1719	F-9
601B6005UU	E-13	92015-1881	E-5	92042-044	C-7	92055-091	C-3	92075-161	F-5	92144-1818	E-11
601B6204UU	E-14	92015-1963	B-14	92043-0028	E-8	92055-1141	C-7	92075-1634	D-6	92144-1854	B-13
601B6205UU	E-14	92022-1132	D-3	92043-0062	B-11	92055-1251	F-5	92075-1808	F-14	92145-0220	B-13
610A0406	C-3	92022-1405	G-3	92043-0104	F-7	92055-1251	F-7	92075-1808	H-7	92145-0230	F-3
610A0408	C-12	92022-1517	C-5	92043-0104	F-8	92055-1251	F-8	92075-1912	C-11	92145-0256	C-4
670D1509	B-11	92022-1557	F-14	92043-1264	B-3	92055-1276	D-3	92075-1927	F-14	92145-0317	C-4
670E5075	C-10	92022-1601	F-7	92043-1489	F-9	92055-1333	F-12	92092-0003	F-4	92145-0325	B-13
671B2560	E-14	92022-1601	F-8	92043-1506	C-5	92055-1352	B-4	92093-0012	B-5	92145-0376	E-8
671B2565	D-5	92022-1827	C-4	92043-1595	E-8	92055-1370	D-3	92093-0026	B-5	92145-1286	F-10
702A06620	F-13	92022-183	G-5	92043-1654	C-3	92055-1401	B-3	92093-0027	B-5	92145-1319	E-8
92002-1086	C-13	92022-2373	E-10	92043-1690	C-5	92055-1408	C-7	92093-0047	B-5	92145-1414	C-3
92002-1134	E-10	92022-304	C-5	92043-1709	F-6	92055-1503	C-12	92093-0058	F-12	92145-1568	F-6
92002-1187	E-6	92022-311	C-12	92043-4009	B-4	92055-1550	D-3	92104-0002	G-11	92150-1090	F-10
92002-1323	F-5	92022-3730	B-7	92045-0003	B-14	92055-1551	D-3	92104-0004	G-11	92150-1162	C-6
92002-1327	B-4	92026-0029	B-13	92045-0014	B-14	92055-1622	C-9	92104-1062	G-11	92150-1186	D-4
92002-1582	G-10	92026-0037	B-13	92045-0017	E-6	92055-1639	C-11	92104-1064	G-11	92150-1251	C-6
92002-1796	C-7	92026-0045	F-12	92045-0048	B-14	92055-1699	D-6	92106-1001	G-11	92150-1673	C-4
92002-1995	E-8	92026-0057	E-5	92045-1045	C-3	92057-0085	B-11	92107-005	G-11	92150-1717	C-13
92004-1186	B-3	92026-1534	C-4	92045-1053	B-13	92057-0104	E-14	92107-1051	G-11	92150-1771	F-6
92004-1275	E-14	92026-1594	E-5	92045-1152	C-3	92058-0005	E-14	92110-1015	G-11	92150-1771	F-9
92005-0010	D-6	92027-1018	F-11	92045-1384	E-3	92059-1961	E-11	92110-1132	G-11	92150-1779	B-11
92005-0039	D-6	92033-0034	F-5	92046-0004	D-3	92062-0004	C-5	92110-1147	G-11	92150-1845	E-5
92005-0056	D-6	92033-025	B-14	92046-0008	E-6	92065-096	C-7	92110-1152	G-11	92150-1869	C-4
92005-1238	C-5	92033-1037	B-14	92046-037	C-5	92065-097	C-11	92110-1153	G-11	92150-1880	C-3
92005-1275	D-6	92033-1041	E-6	92046-1010	C-7	92065-097	C-8	92110-3703	G-11	92150-1969	D-3
92009-1164	G-3	92033-1043	E-14	92046-1263	B-13	92066-0003	C-5	92111-1051	G-11	92151-1118	C-14
92009-1197	G-3	92033-1054	B-12	92046-1272	E-7	92066-0016	B-3	92112-1001	G-11	92151-1219	G-5
92009-1378	G-7	92033-1077	F-12	92046-1273	E-7	92066-0016	C-5	92126-004	G-11	92151-1223	C-6
92009-1499	B-5	92033-1186	F-5	92046-1291	B-14	92066-0067	C-7	92127-003	G-11	92151-1225	D-4
92009-1570	F-5	92033-1186	F-7	92048-1053	B-14	92066-1012	C-5	92139-0026	B-12	92151-1226	C-4
92009-1905	C-3	92033-1186	F-8	92049-0022	E-3	92066-1110	C-5	92139-0027	B-12	92151-1228	D-4
92009-1912	G-8	92033-1249	B-14	92049-0072	F-12	92066-1174	C-8	92139-0028	B-12	92151-1252	C-12

This catalog covers:

'06~'07 ZX1000 D6F/D7F

GRID NO.

This grid covers:

L-15 Numerical Parts Index

Part No.	Grid No.	Part No.	Grid No.	Part No.	Grid No.	Part No.	Grid No.	Part No.	Grid No.	Part No.	Grid No.
92151-1289	F-9	92153-0488	E-4	92153-1518	F-5	92170-1091	F-5	92180-0118	B-9	92200-0115	C-6
92151-1389	C-5	92153-0489	F-14	92153-1521	D-3	92170-1091	F-7	92180-0119	B-9	92200-0138	B-14
92151-1476	C-5	92153-0489	H-7	92153-1531	F-6	92170-1493	D-6	92180-0120	B-9	92200-0157	H-7
92151-1521	C-6	92153-0508	E-7	92153-1545	E-7	92170-3729	D-5	92180-0121	B-9	92200-0174	C-4
92151-1523	F-10	92153-0548	F-12	92153-1546	E-7	92170-3749	C-9	92180-0122	B-9	92200-0204	F-12
92151-1532	B-7	92153-0564	D-5	92153-1547	E-7	92171-0068	G-9	92180-0123	B-9	92200-0212	G-10
92151-1537	B-7	92153-0627	F-5	92153-1548	E-6	92171-0133	B-7	92180-0124	B-9	92200-0238	D-3
92151-1583	C-6	92153-0627	F-7	92153-1563	D-3	92171-0179	D-6	92180-0125	B-9	92200-0272	F-12
92151-1797	E-11	92153-0627	F-8	92153-1569	C-8	92171-0180	D-6	92180-0126	B-9	92200-0279	F-3
92151-1802	E-11	92153-0628	F-5	92153-1584	C-11	92171-0278	B-3	92180-0127	B-9	92200-0280	F-3
92151-1930	D-6	92153-0640	D-6	92153-1589	D-6	92171-0292	B-7	92180-0128	B-9	92200-0284	G-7
92151-1946	G-10	92153-0656	B-3	92153-1612	E-10	92171-0305	G-9	92180-0129	B-9	92200-0293	F-11
92152-0017	F-5	92153-0661	C-12	92153-1612	E-5	92171-0359	C-9	92180-0130	B-9	92200-1065	B-14
92152-0076	E-4	92153-0690	C-7	92153-1612	E-9	92171-0391	B-5	92180-0131	B-9	92200-1249	C-13
92152-0088	E-14	92153-0713	E-4	92153-1612	F-13	92171-0463	F-7	92180-0132	B-9	92200-1260	B-13
92152-0091	F-13	92153-0730	H-7	92153-1612	F-7	92171-0502	B-5	92180-0133	B-9	92200-1388	E-9
92152-0092	G-7	92153-0736	E-6	92153-1612	F-8	92171-0560	F-12	92180-0134	B-9	92200-1487	B-13
92152-0096	E-4	92153-0756	B-5	92153-1612	G-5	92171-0561	F-12	92180-0135	B-9	92200-1489	E-14
92152-0103	F-10	92153-0764	C-7	92153-1616	F-13	92171-0670	F-7	92180-0136	B-9	92210-0003	H-6
92152-0105	E-14	92153-0797	B-13	92153-1626	E-10	92171-0670	F-8	92180-0137	B-9	92210-0006	F-10
92152-0134	C-11	92153-0801	E-3	92153-1627	F-13	92171-0675	G-4	92180-0138	B-9	92210-0007	C-11
92152-0153	B-14	92153-0809	B-12	92153-1642	F-12	92171-0684	B-7	92180-0139	B-10	92210-0007	F-5
92152-0154	E-6	92153-0816	E-10	92153-1675	F-7	92171-0703	C-8	92180-0140	B-10	92210-0007	G-10
92152-0188	B-7	92153-0816	E-5	92160-1116	B-7	92171-0704	F-5	92180-0141	B-10	92210-0095	E-3
92152-0206	E-14	92153-0816	F-8	92160-1167	G-3	92171-0719	D-6	92180-0142	B-10	92210-0096	E-3
92152-0237	B-7	92153-0868	F-5	92160-1613	G-5	92171-0723	D-5	92180-0143	B-10	92210-0097	E-3
92152-0242	E-13	92153-0873	H-6	92161-0041	C-11	92171-0724	D-5	92180-0144	B-10	92210-0100	F-12
92152-0289	E-13	92153-0873	H-7	92161-0041	C-9	92171-1420	E-5	92180-0145	B-10	92210-0121	B-8
92152-0352	G-10	92153-0893	B-3	92161-0070	C-12	92171-1566	C-7	92180-0146	B-10	92210-0130	E-10
92152-0363	E-6	92153-0907	F-10	92161-0117	G-10	92172-0009	B-5	92180-0147	B-10	92210-0130	H-6
92152-0372	G-7	92153-0932	G-9	92161-0118	G-10	92172-0056	B-5	92180-0148	B-10	92210-0134	E-6
92152-0396	B-5	92153-0993	H-7	92161-0149	F-14	92172-0175	G-10	92190-1185	F-3	92210-0152	B-13
92152-0411	E-10	92153-1010	C-7	92161-0178	F-13	92172-0175	G-6	92191-1552	C-9	92210-0173	B-8
92152-0413	B-11	92153-1086	C-12	92161-0191	G-7	92172-0175	G-8	92192-0033	B-5	92210-0188	D-3
92152-1074	D-4	92153-1127	E-4	92161-0193	B-7	92172-0175	H-6	92192-0131	C-9	92210-0276	E-14
92152-1074	G-10	92153-1228	F-12	92161-0204	B-7	92172-0183	F-10	92192-0156	B-6	92210-0291	E-13
92152-1182	F-13	92153-1244	E-10	92161-0240	G-10	92172-0188	G-10	92192-0236	B-6	92210-0320	E-6
92153-0322	E-10	92153-1244	G-5	92161-0253	D-5	92172-0218	C-5	92192-0237	B-6	92210-0321	E-4
92153-0360	F-6	92153-1244	H-6	92161-0257	G-10	92172-0269	F-11	92192-0351	C-9	92210-0321	E-7
92153-0393	F-11	92153-1244	H-7	92161-0288	C-11	92172-1060	F-10	92200-0006	H-6	92210-1100	C-4
92153-0393	F-7	92153-1283	C-10	92161-0342	E-14	92180-0108	B-9	92200-0006	H-7	92210-1101	C-4
92153-0393	F-8	92153-1284	B-4	92161-0355	E-10	92180-0109	B-9	92200-0036	E-3	92210-1150	E-7
92153-0438	E-4	92153-1315	C-7	92161-0384	F-13	92180-0110	B-9	92200-0043	E-8	92210-1266	E-9
92153-0439	E-4	92153-1318	E-4	92161-1065	F-13	92180-0111	B-9	92200-0047	C-6	92210-1365	E-4
92153-0446	C-4	92153-1319	E-4	92161-1188	G-7	92180-0112	B-9	92200-0050	B-14	99924-1365-01	H-8
92153-0447	C-6	92153-1328	E-4	92161-1228	B-7	92180-0113	B-9	92200-0051	B-14	99931-1460-01	H-8
92153-0448	C-6	92153-1329	E-4	92161-1300	C-4	92180-0114	B-9	92200-0078	B-7	99946-1031-01	H-8
92153-0454	B-3	92153-1356	B-7	92161-1313	G-7	92180-0115	B-9	92200-0085	F-12	99950-1036-01	H-8
92153-0455	B-11	92153-1424	G-7	92161-1330	F-13	92180-0116	B-9	92200-0110	E-3	99951-1022-01	H-8
92153-0484	F-12	92153-1500	B-5	92170-1090	F-5	92180-0117	B-9	92200-0114	B-3	99952-1006-01	H-8

This catalog covers:

'06~'07 ZX1000 D6F/D7F

GRID NO.

B-16

This grid covers:

Part Name Index

Air Cleaner.....	B-5/B-6
Brake Pedal.....	F-3
Cables.....	G-4
Camshaft(s).....	B-11
Chain Cover.....	G-5
Chassis Electrical Equipment.....	G-9
Clutch.....	B-13
Cowling.....	H-6
Cowling Lowers.....	H-7
Crankcase.....	C-5
Crankcase Bolt Pattern.....	C-6
Crankshaft.....	B-12
Cylinder Head.....	B-3
Cylinder Head Cover.....	B-4
Decals(Ebony)(D6F).....	G-13
Decals(Ebony)(D7F).....	H-4
Decals(Green)(D6F).....	G-14
Decals(Green)(D7F).....	H-5
Decals(Titanium)(D6F).....	H-3
Engine Cover(s).....	C-7
Engine Mount.....	E-4
Footrests.....	E-8
Frame.....	E-3
Frame Fittings.....	E-5
Front Brake.....	F-6
Front Fender(s).....	E-9
Front Fork.....	F-12
Front Hub.....	E-13
Front Master Cylinder.....	F-5
Fuel Injection.....	C-11
Fuel Pump.....	C-10
Fuel Tank.....	F-13
Gear Change Drum.....	C-3
Gear Change Mechanism.....	C-4
Generator.....	C-13
Handlebar.....	F-10

Headlight(s).....	G-6
Ignition Switch.....	G-10
Ignition System.....	C-14
Labels.....	G-12
Manual.....	H-8
Meter(s).....	G-3
Muffler(s).....	B-7/B-8
Oil Cooler.....	D-5
Oil Pan.....	C-8
Oil Pump.....	C-12
Owner's Tools.....	G-11
Piston(s).....	B-12
Radiator.....	D-4
Rear Brake.....	F-9
Rear Fender(s).....	E-10
Rear Hub.....	E-14
Rear Master Cylinder(D6F).....	F-7
Rear Master Cylinder(D7F).....	F-8
Seat.....	F-14
Shift Fork(s).....	C-3
Shock Absorber(s).....	F-4
Side Covers.....	G-5
Stand(s).....	E-11
Starter Motor.....	D-3
Steering Damper.....	F-11
Suspension.....	E-7
Swingarm.....	E-6
Taillight(s).....	G-7
Tensioner.....	B-11
Throttle.....	C-9
Tires.....	E-12
Transmission.....	B-14
Turn Signals.....	G-8
Valve(s).....	B-10/B-9
Water Pipe.....	D-6

This catalog covers:

'06~'07 ZX1000 D6F/D7F

GRID NO.

C-16

This grid covers:

Part Name Index

Air Cleaner.....	B-5/B-6
Brake Pedal.....	F-3
Cables.....	G-4
Camshaft(s).....	B-11
Chain Cover.....	G-5
Chassis Electrical Equipment.....	G-9
Clutch.....	B-13
Cowling.....	H-6
Cowling Lowers.....	H-7
Crankcase.....	C-5
Crankcase Bolt Pattern.....	C-6
Crankshaft.....	B-12
Cylinder Head.....	B-3
Cylinder Head Cover.....	B-4
Decals(Ebony)(D6F).....	G-13
Decals(Ebony)(D7F).....	H-4
Decals(Green)(D6F).....	G-14
Decals(Green)(D7F).....	H-5
Decals(Titanium)(D6F).....	H-3
Engine Cover(s).....	C-7
Engine Mount.....	E-4
Footrests.....	E-8
Frame.....	E-3
Frame Fittings.....	E-5
Front Brake.....	F-6
Front Fender(s).....	E-9
Front Fork.....	F-12
Front Hub.....	E-13
Front Master Cylinder.....	F-5
Fuel Injection.....	C-11
Fuel Pump.....	C-10
Fuel Tank.....	F-13
Gear Change Drum.....	C-3
Gear Change Mechanism.....	C-4
Generator.....	C-13
Handlebar.....	F-10

Headlight(s).....	G-6
Ignition Switch.....	G-10
Ignition System.....	C-14
Labels.....	G-12
Manual.....	H-8
Meter(s).....	G-3
Muffler(s).....	B-7/B-8
Oil Cooler.....	D-5
Oil Pan.....	C-8
Oil Pump.....	C-12
Owner's Tools.....	G-11
Piston(s).....	B-12
Radiator.....	D-4
Rear Brake.....	F-9
Rear Fender(s).....	E-10
Rear Hub.....	E-14
Rear Master Cylinder(D6F).....	F-7
Rear Master Cylinder(D7F).....	F-8
Seat.....	F-14
Shift Fork(s).....	C-3
Shock Absorber(s).....	F-4
Side Covers.....	G-5
Stand(s).....	E-11
Starter Motor.....	D-3
Steering Damper.....	F-11
Suspension.....	E-7
Swingarm.....	E-6
Taillight(s).....	G-7
Tensioner.....	B-11
Throttle.....	C-9
Tires.....	E-12
Transmission.....	B-14
Turn Signals.....	G-8
Valve(s).....	B-10/B-9
Water Pipe.....	D-6

This catalog covers:

'06~'07 ZX1000 D6F/D7F

GRID NO.

D-16

This grid covers:

Part Name Index

Air Cleaner.....	B-5/B-6
Brake Pedal.....	F-3
Cables.....	G-4
Camshaft(s).....	B-11
Chain Cover.....	G-5
Chassis Electrical Equipment.....	G-9
Clutch.....	B-13
Cowling.....	H-6
Cowling Lowers.....	H-7
Crankcase.....	C-5
Crankcase Bolt Pattern.....	C-6
Crankshaft.....	B-12
Cylinder Head.....	B-3
Cylinder Head Cover.....	B-4
Decals(Ebony)(D6F).....	G-13
Decals(Ebony)(D7F).....	H-4
Decals(Green)(D6F).....	G-14
Decals(Green)(D7F).....	H-5
Decals(Titanium)(D6F).....	H-3
Engine Cover(s).....	C-7
Engine Mount.....	E-4
Footrests.....	E-8
Frame.....	E-3
Frame Fittings.....	E-5
Front Brake.....	F-6
Front Fender(s).....	E-9
Front Fork.....	F-12
Front Hub.....	E-13
Front Master Cylinder.....	F-5
Fuel Injection.....	C-11
Fuel Pump.....	C-10
Fuel Tank.....	F-13
Gear Change Drum.....	C-3
Gear Change Mechanism.....	C-4
Generator.....	C-13
Handlebar.....	F-10

Headlight(s).....	G-6
Ignition Switch.....	G-10
Ignition System.....	C-14
Labels.....	G-12
Manual.....	H-8
Meter(s).....	G-3
Muffler(s).....	B-7/B-8
Oil Cooler.....	D-5
Oil Pan.....	C-8
Oil Pump.....	C-12
Owner's Tools.....	G-11
Piston(s).....	B-12
Radiator.....	D-4
Rear Brake.....	F-9
Rear Fender(s).....	E-10
Rear Hub.....	E-14
Rear Master Cylinder(D6F).....	F-7
Rear Master Cylinder(D7F).....	F-8
Seat.....	F-14
Shift Fork(s).....	C-3
Shock Absorber(s).....	F-4
Side Covers.....	G-5
Stand(s).....	E-11
Starter Motor.....	D-3
Steering Damper.....	F-11
Suspension.....	E-7
Swingarm.....	E-6
Taillight(s).....	G-7
Tensioner.....	B-11
Throttle.....	C-9
Tires.....	E-12
Transmission.....	B-14
Turn Signals.....	G-8
Valve(s).....	B-10/B-9
Water Pipe.....	D-6

This catalog covers:

'06~'07 ZX1000 D6F/D7F

GRID NO.

E-16

This grid covers:

Part Name Index

Air Cleaner.....	B-5/B-6
Brake Pedal.....	F-3
Cables.....	G-4
Camshaft(s).....	B-11
Chain Cover.....	G-5
Chassis Electrical Equipment.....	G-9
Clutch.....	B-13
Cowling.....	H-6
Cowling Lowers.....	H-7
Crankcase.....	C-5
Crankcase Bolt Pattern.....	C-6
Crankshaft.....	B-12
Cylinder Head.....	B-3
Cylinder Head Cover.....	B-4
Decals(Ebony)(D6F).....	G-13
Decals(Ebony)(D7F).....	H-4
Decals(Green)(D6F).....	G-14
Decals(Green)(D7F).....	H-5
Decals(Titanium)(D6F).....	H-3
Engine Cover(s).....	C-7
Engine Mount.....	E-4
Footrests.....	E-8
Frame.....	E-3
Frame Fittings.....	E-5
Front Brake.....	F-6
Front Fender(s).....	E-9
Front Fork.....	F-12
Front Hub.....	E-13
Front Master Cylinder.....	F-5
Fuel Injection.....	C-11
Fuel Pump.....	C-10
Fuel Tank.....	F-13
Gear Change Drum.....	C-3
Gear Change Mechanism.....	C-4
Generator.....	C-13
Handlebar.....	F-10

Headlight(s).....	G-6
Ignition Switch.....	G-10
Ignition System.....	C-14
Labels.....	G-12
Manual.....	H-8
Meter(s).....	G-3
Muffler(s).....	B-7/B-8
Oil Cooler.....	D-5
Oil Pan.....	C-8
Oil Pump.....	C-12
Owner's Tools.....	G-11
Piston(s).....	B-12
Radiator.....	D-4
Rear Brake.....	F-9
Rear Fender(s).....	E-10
Rear Hub.....	E-14
Rear Master Cylinder(D6F).....	F-7
Rear Master Cylinder(D7F).....	F-8
Seat.....	F-14
Shift Fork(s).....	C-3
Shock Absorber(s).....	F-4
Side Covers.....	G-5
Stand(s).....	E-11
Starter Motor.....	D-3
Steering Damper.....	F-11
Suspension.....	E-7
Swingarm.....	E-6
Taillight(s).....	G-7
Tensioner.....	B-11
Throttle.....	C-9
Tires.....	E-12
Transmission.....	B-14
Turn Signals.....	G-8
Valve(s).....	B-10/B-9
Water Pipe.....	D-6

This catalog covers:

'06~'07 ZX1000 D6F/D7F

GRID NO.

F-16

This grid covers:

Part Name Index

Air Cleaner.....	B-5/B-6
Brake Pedal.....	F-3
Cables.....	G-4
Camshaft(s).....	B-11
Chain Cover.....	G-5
Chassis Electrical Equipment.....	G-9
Clutch.....	B-13
Cowling.....	H-6
Cowling Lowers.....	H-7
Crankcase.....	C-5
Crankcase Bolt Pattern.....	C-6
Crankshaft.....	B-12
Cylinder Head.....	B-3
Cylinder Head Cover.....	B-4
Decals(Ebony)(D6F).....	G-13
Decals(Ebony)(D7F).....	H-4
Decals(Green)(D6F).....	G-14
Decals(Green)(D7F).....	H-5
Decals(Titanium)(D6F).....	H-3
Engine Cover(s).....	C-7
Engine Mount.....	E-4
Footrests.....	E-8
Frame.....	E-3
Frame Fittings.....	E-5
Front Brake.....	F-6
Front Fender(s).....	E-9
Front Fork.....	F-12
Front Hub.....	E-13
Front Master Cylinder.....	F-5
Fuel Injection.....	C-11
Fuel Pump.....	C-10
Fuel Tank.....	F-13
Gear Change Drum.....	C-3
Gear Change Mechanism.....	C-4
Generator.....	C-13
Handlebar.....	F-10

Headlight(s).....	G-6
Ignition Switch.....	G-10
Ignition System.....	C-14
Labels.....	G-12
Manual.....	H-8
Meter(s).....	G-3
Muffler(s).....	B-7/B-8
Oil Cooler.....	D-5
Oil Pan.....	C-8
Oil Pump.....	C-12
Owner's Tools.....	G-11
Piston(s).....	B-12
Radiator.....	D-4
Rear Brake.....	F-9
Rear Fender(s).....	E-10
Rear Hub.....	E-14
Rear Master Cylinder(D6F).....	F-7
Rear Master Cylinder(D7F).....	F-8
Seat.....	F-14
Shift Fork(s).....	C-3
Shock Absorber(s).....	F-4
Side Covers.....	G-5
Stand(s).....	E-11
Starter Motor.....	D-3
Steering Damper.....	F-11
Suspension.....	E-7
Swingarm.....	E-6
Taillight(s).....	G-7
Tensioner.....	B-11
Throttle.....	C-9
Tires.....	E-12
Transmission.....	B-14
Turn Signals.....	G-8
Valve(s).....	B-10/B-9
Water Pipe.....	D-6

This catalog covers:

'06~'07 ZX1000 D6F/D7F

GRID NO.

G-16

This grid covers:

Part Name Index

Air Cleaner.....	B-5/B-6
Brake Pedal.....	F-3
Cables.....	G-4
Camshaft(s).....	B-11
Chain Cover.....	G-5
Chassis Electrical Equipment.....	G-9
Clutch.....	B-13
Cowling.....	H-6
Cowling Lowers.....	H-7
Crankcase.....	C-5
Crankcase Bolt Pattern.....	C-6
Crankshaft.....	B-12
Cylinder Head.....	B-3
Cylinder Head Cover.....	B-4
Decals(Ebony)(D6F).....	G-13
Decals(Ebony)(D7F).....	H-4
Decals(Green)(D6F).....	G-14
Decals(Green)(D7F).....	H-5
Decals(Titanium)(D6F).....	H-3
Engine Cover(s).....	C-7
Engine Mount.....	E-4
Footrests.....	E-8
Frame.....	E-3
Frame Fittings.....	E-5
Front Brake.....	F-6
Front Fender(s).....	E-9
Front Fork.....	F-12
Front Hub.....	E-13
Front Master Cylinder.....	F-5
Fuel Injection.....	C-11
Fuel Pump.....	C-10
Fuel Tank.....	F-13
Gear Change Drum.....	C-3
Gear Change Mechanism.....	C-4
Generator.....	C-13
Handlebar.....	F-10

Headlight(s).....	G-6
Ignition Switch.....	G-10
Ignition System.....	C-14
Labels.....	G-12
Manual.....	H-8
Meter(s).....	G-3
Muffler(s).....	B-7/B-8
Oil Cooler.....	D-5
Oil Pan.....	C-8
Oil Pump.....	C-12
Owner's Tools.....	G-11
Piston(s).....	B-12
Radiator.....	D-4
Rear Brake.....	F-9
Rear Fender(s).....	E-10
Rear Hub.....	E-14
Rear Master Cylinder(D6F).....	F-7
Rear Master Cylinder(D7F).....	F-8
Seat.....	F-14
Shift Fork(s).....	C-3
Shock Absorber(s).....	F-4
Side Covers.....	G-5
Stand(s).....	E-11
Starter Motor.....	D-3
Steering Damper.....	F-11
Suspension.....	E-7
Swingarm.....	E-6
Taillight(s).....	G-7
Tensioner.....	B-11
Throttle.....	C-9
Tires.....	E-12
Transmission.....	B-14
Turn Signals.....	G-8
Valve(s).....	B-10/B-9
Water Pipe.....	D-6

This catalog covers:

'06~'07 ZX1000 D6F/D7F

GRID NO.

H-16

This grid covers:

Part Name Index

Air Cleaner.....	B-5/B-6
Brake Pedal.....	F-3
Cables.....	G-4
Camshaft(s).....	B-11
Chain Cover.....	G-5
Chassis Electrical Equipment.....	G-9
Clutch.....	B-13
Cowling.....	H-6
Cowling Lowers.....	H-7
Crankcase.....	C-5
Crankcase Bolt Pattern.....	C-6
Crankshaft.....	B-12
Cylinder Head.....	B-3
Cylinder Head Cover.....	B-4
Decals(Ebony)(D6F).....	G-13
Decals(Ebony)(D7F).....	H-4
Decals(Green)(D6F).....	G-14
Decals(Green)(D7F).....	H-5
Decals(Titanium)(D6F).....	H-3
Engine Cover(s).....	C-7
Engine Mount.....	E-4
Footrests.....	E-8
Frame.....	E-3
Frame Fittings.....	E-5
Front Brake.....	F-6
Front Fender(s).....	E-9
Front Fork.....	F-12
Front Hub.....	E-13
Front Master Cylinder.....	F-5
Fuel Injection.....	C-11
Fuel Pump.....	C-10
Fuel Tank.....	F-13
Gear Change Drum.....	C-3
Gear Change Mechanism.....	C-4
Generator.....	C-13
Handlebar.....	F-10

Headlight(s).....	G-6
Ignition Switch.....	G-10
Ignition System.....	C-14
Labels.....	G-12
Manual.....	H-8
Meter(s).....	G-3
Muffler(s).....	B-7/B-8
Oil Cooler.....	D-5
Oil Pan.....	C-8
Oil Pump.....	C-12
Owner's Tools.....	G-11
Piston(s).....	B-12
Radiator.....	D-4
Rear Brake.....	F-9
Rear Fender(s).....	E-10
Rear Hub.....	E-14
Rear Master Cylinder(D6F).....	F-7
Rear Master Cylinder(D7F).....	F-8
Seat.....	F-14
Shift Fork(s).....	C-3
Shock Absorber(s).....	F-4
Side Covers.....	G-5
Stand(s).....	E-11
Starter Motor.....	D-3
Steering Damper.....	F-11
Suspension.....	E-7
Swingarm.....	E-6
Taillight(s).....	G-7
Tensioner.....	B-11
Throttle.....	C-9
Tires.....	E-12
Transmission.....	B-14
Turn Signals.....	G-8
Valve(s).....	B-10/B-9
Water Pipe.....	D-6