

This catalog covers:
'05 ZR750-K1H

GRID NO. **A-1** This grid covers:
Title



PARTS CATALOG

'05 ZR750-K1H

(Z750S)

Publications	A-2
Model Identification	A-4
Engine	B-1
Chassis	E-1

© Kawasaki Heavy Industries, Ltd. 2004

Engine No. Location:
RH side crankcase

Year & Model	'05 ZR750-K1H
Color	1. Candy Plasma Blue (723) 2. Metallic Spark Black (660) 3. Pearl Magma Red (724)
VIN No. Range	JKAZR750JKA025001 ~
Engine No. Range	ZR750JE000001 ~

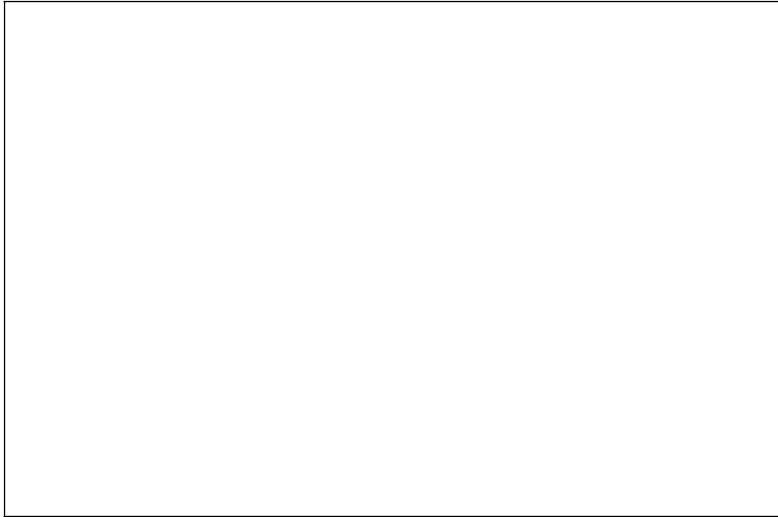
This catalog covers:
'05 ZR750-K1H

GRID NO. **A-2** This grid covers:
Publications

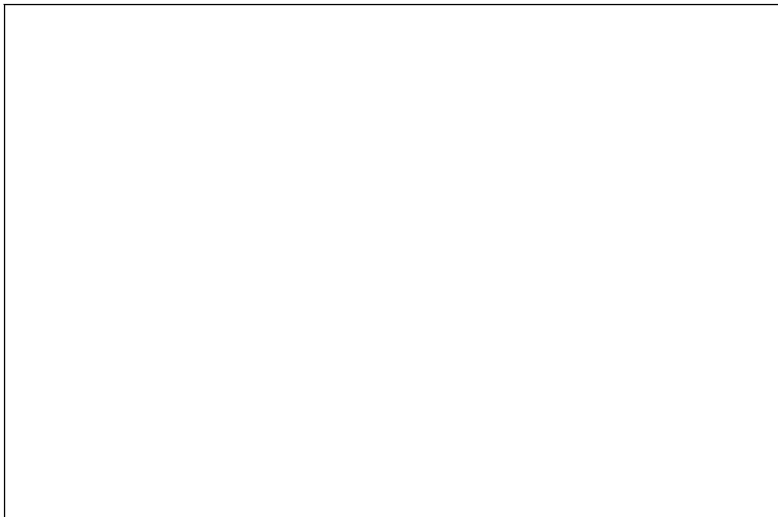
Year & Model	Owner's Manual	A&P Manual		Service Manual		Microfiche
		General	Supplement	Basic	Supplement	
2005 ZR750-K1H	Local Procurement	99931-1446-01		99924-1344-01		99912-1259-01 99918-1239-01(Germany only) 99919-1204-01(France only) 99959-1178-01(Italy only)

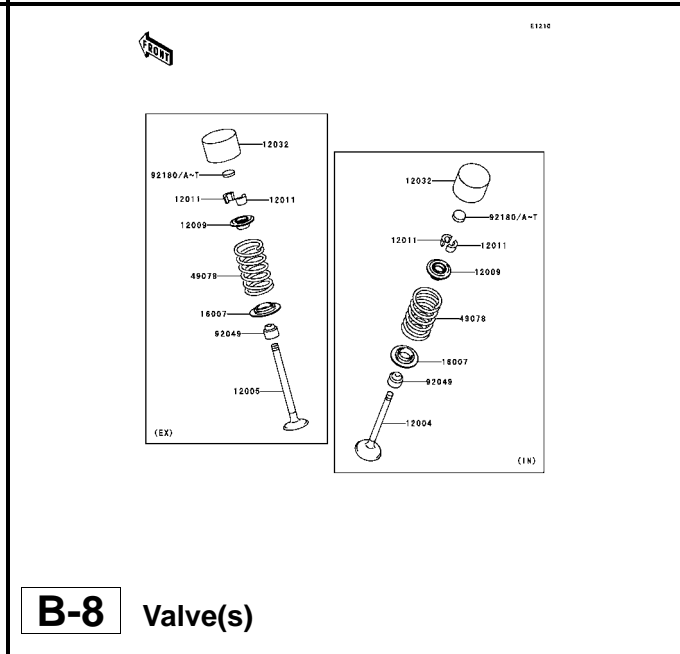
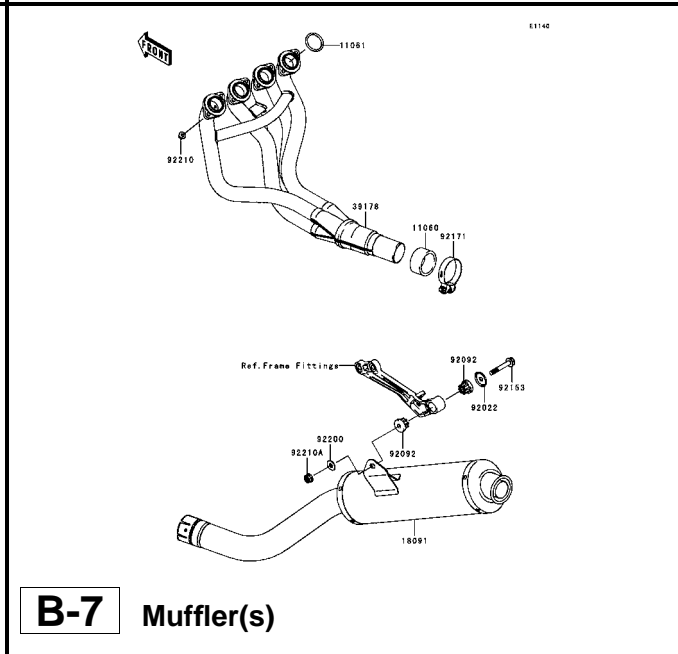
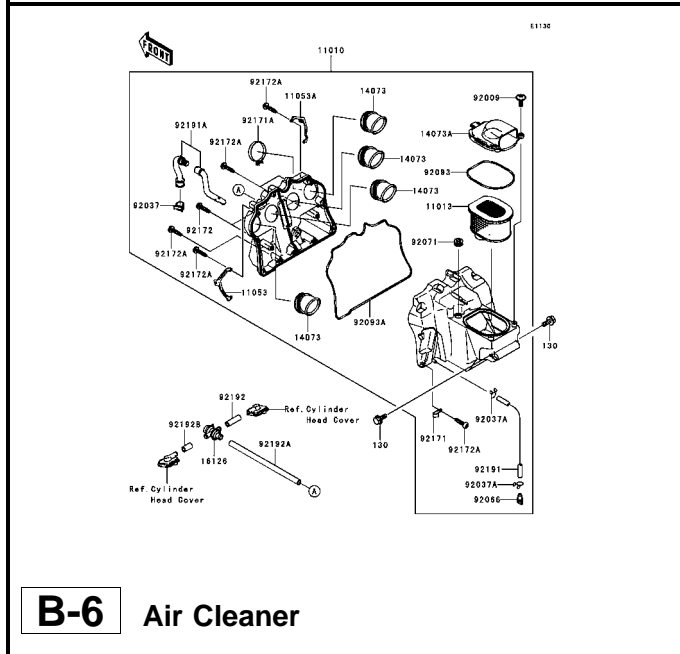
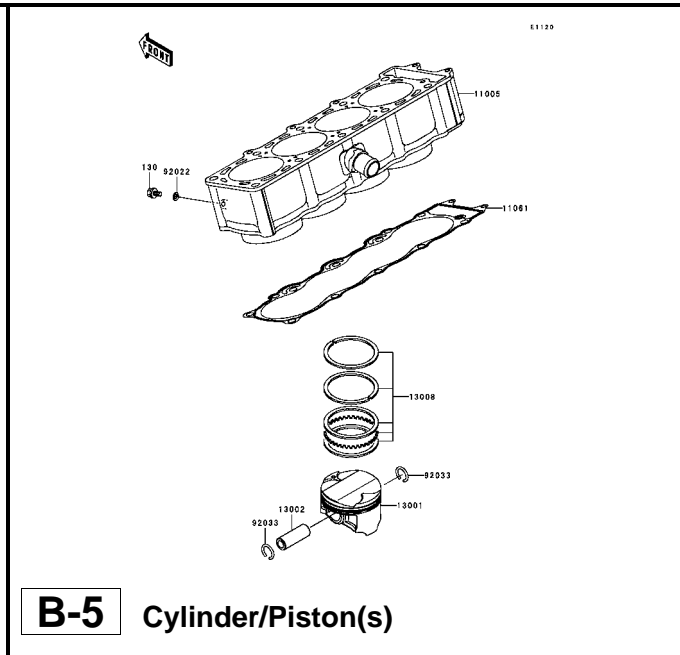
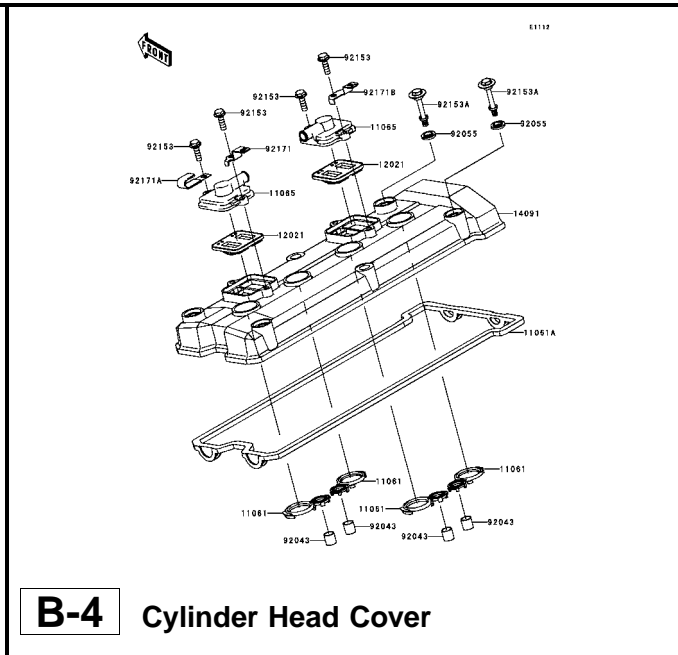
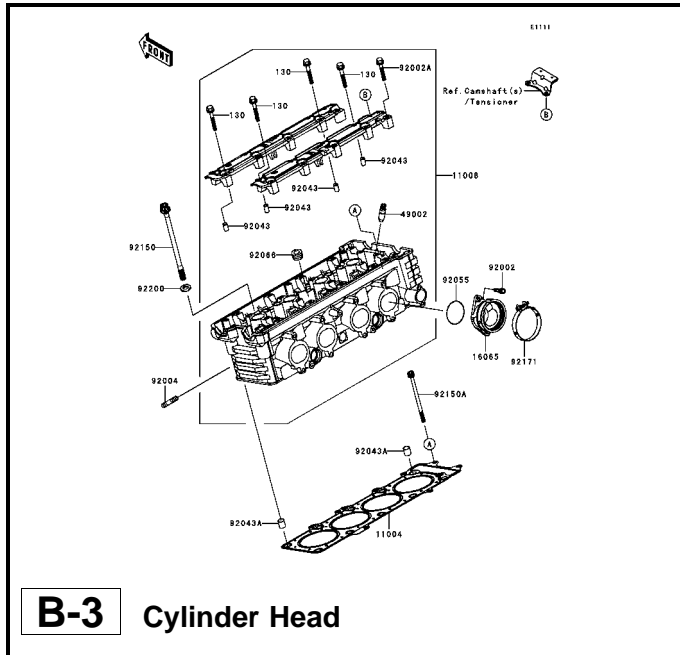
ZR750-K1H

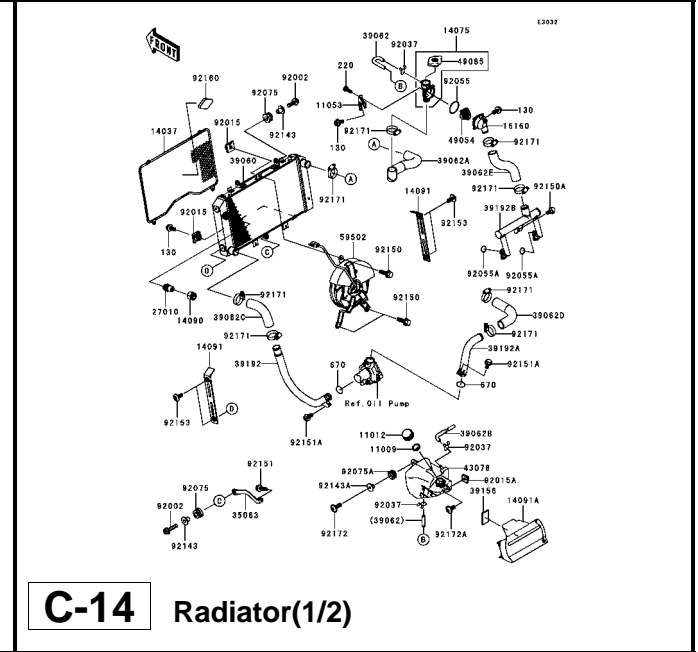
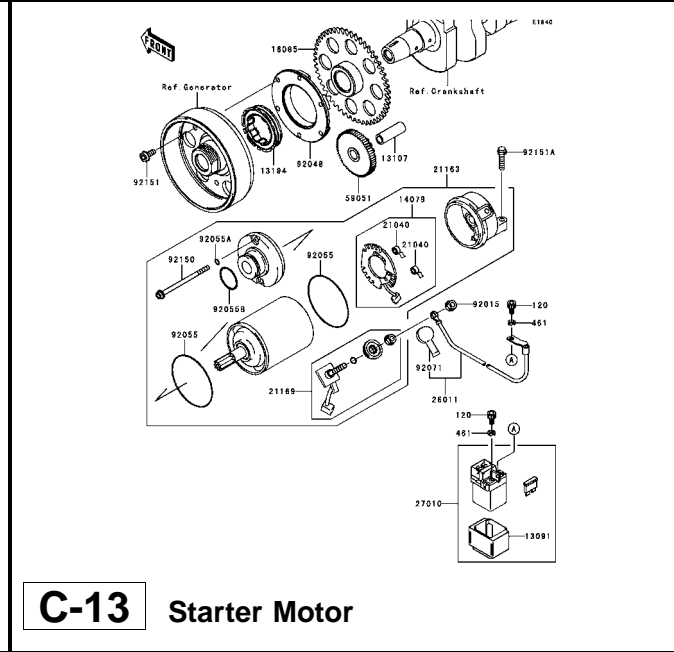
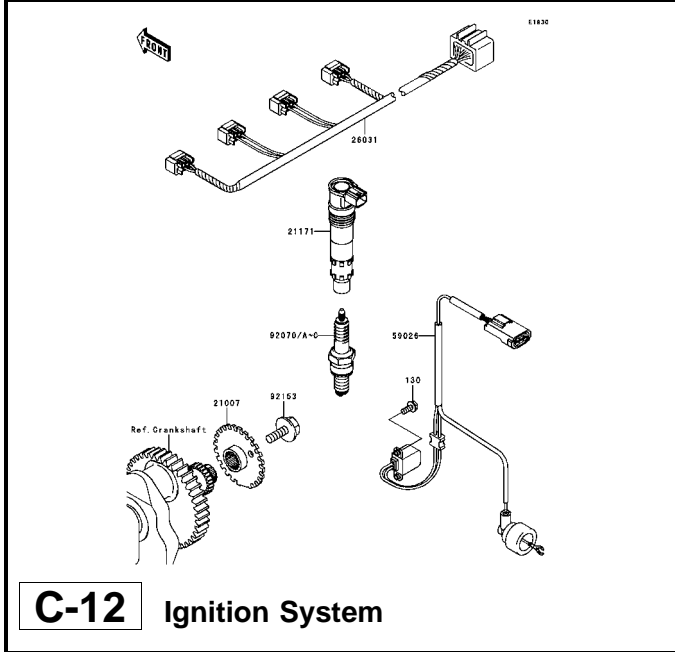
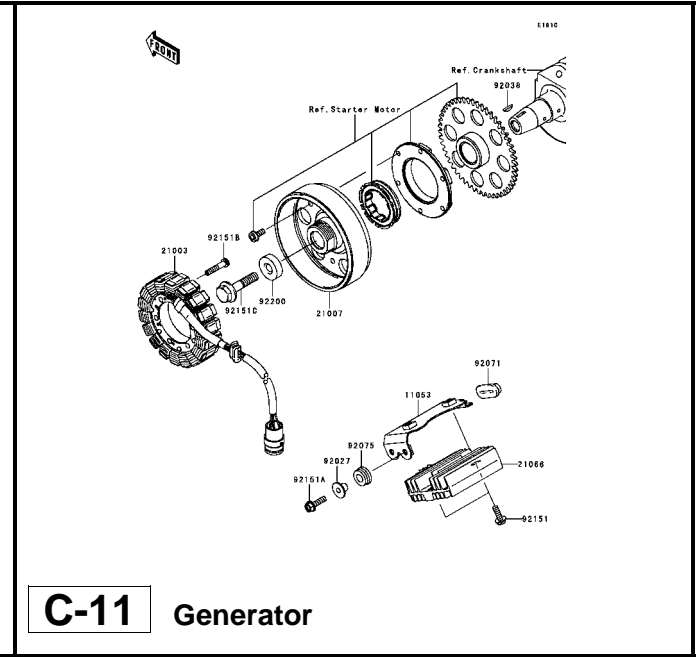
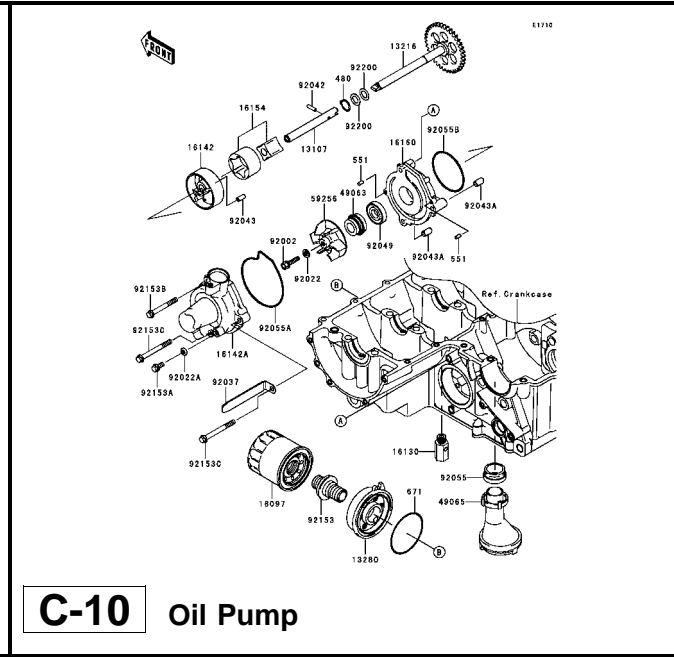
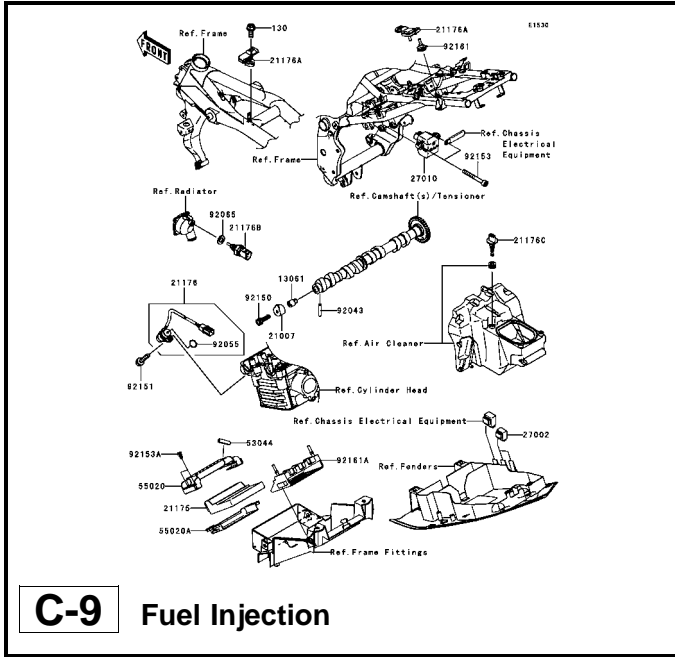
Left Side View

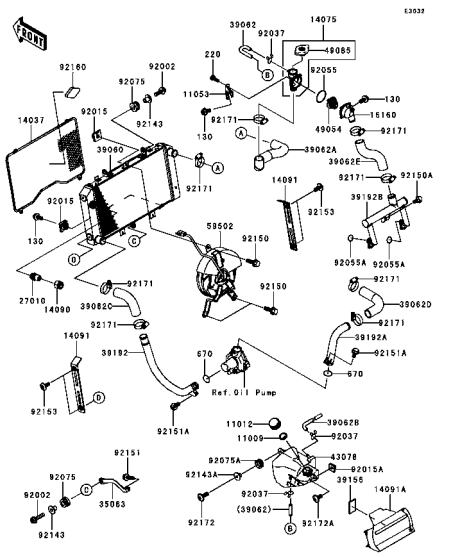


Right Side View







 <p>D-3 Radiator(2/2)</p>		

This catalog covers:

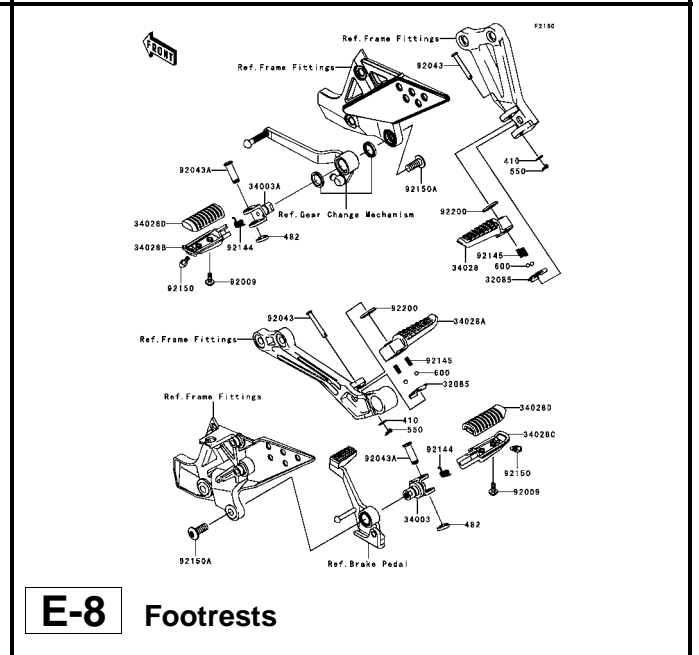
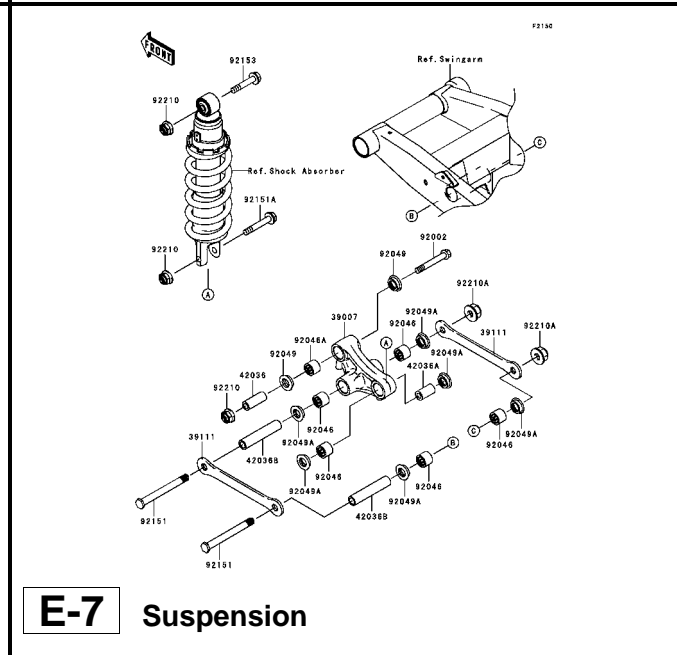
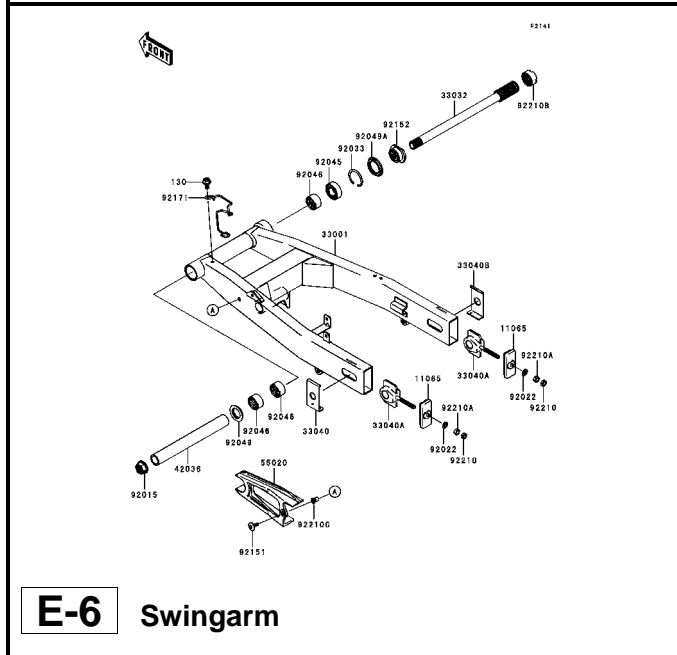
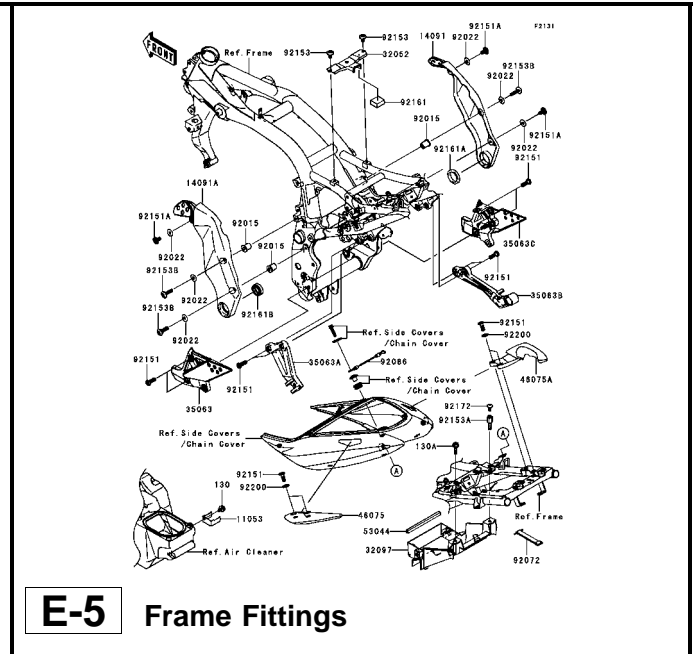
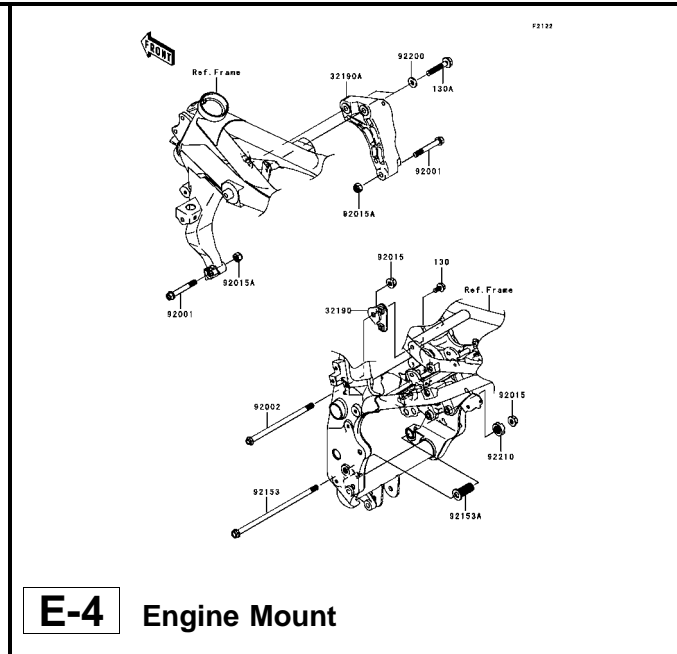
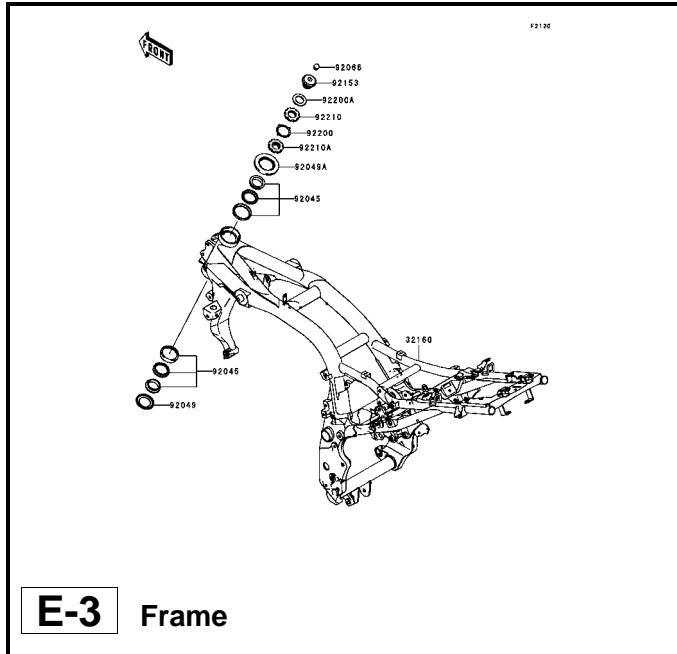
'05 ZR750-K1H Engine

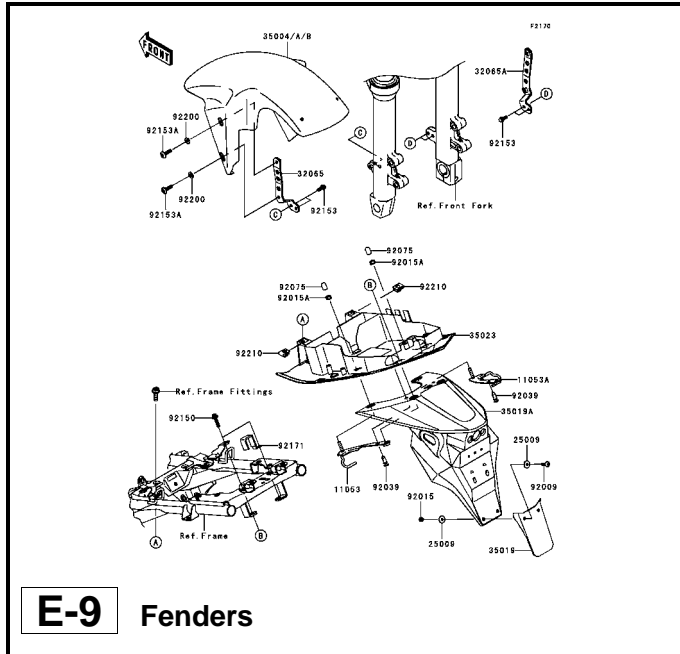
GRID NO.

D-2

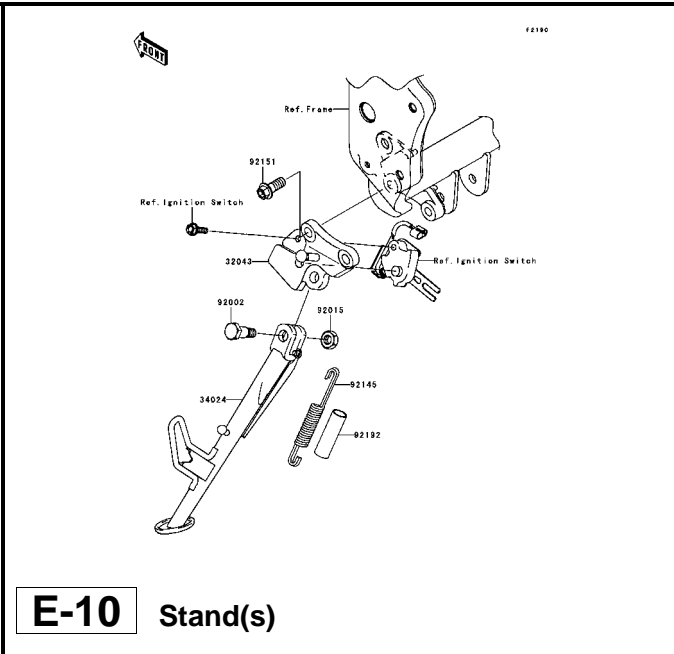
This grid covers:

Pictorial Index

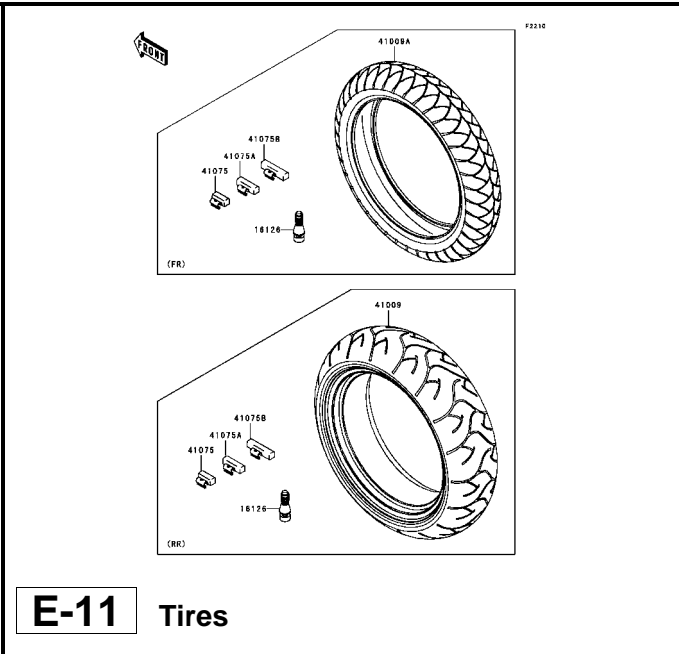




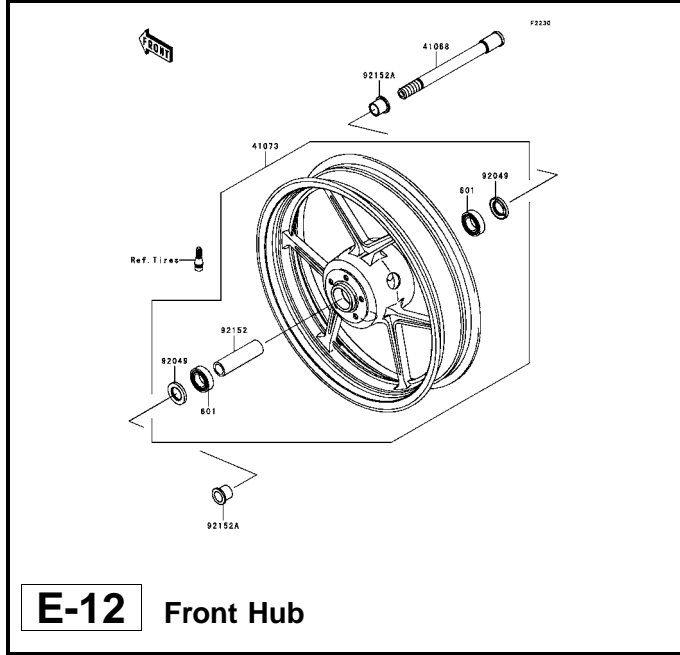
E-9 Fenders



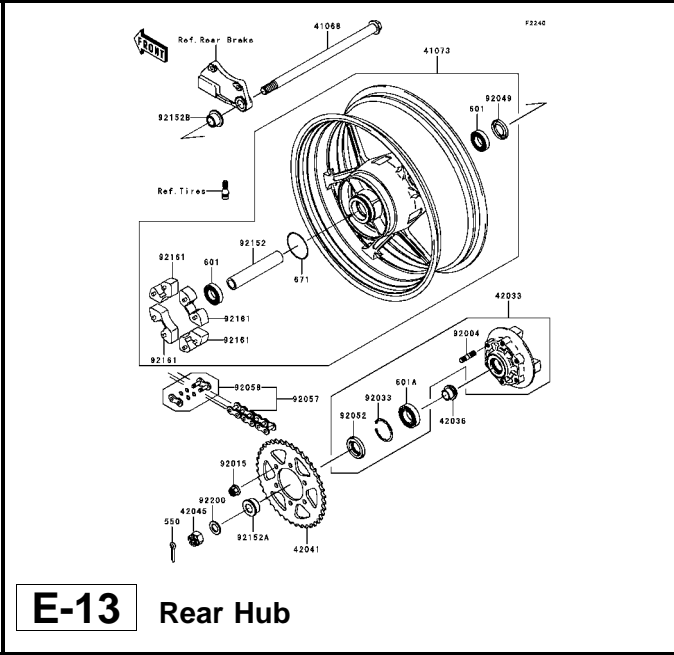
E-10 Stand(s)



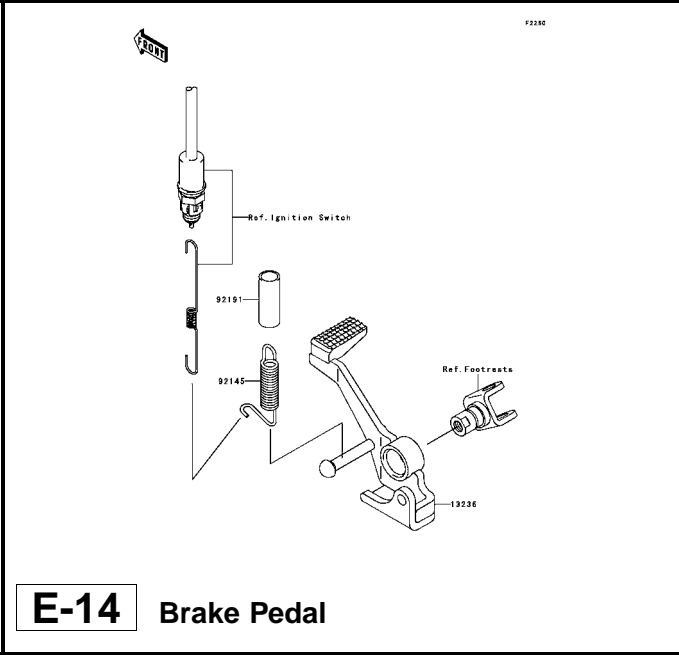
E-11 Tires



E-12 Front Hub



E-13 Rear Hub



E-14 Brake Pedal

F2340

F-9 Front Fork

(S1083)	Black
(S1083A)	Blue
(S1083B)	Red

F2410

F-10 Fuel Tank

(S1083)	Black
(S1083A)	Blue
(S1083B)	Red

F2510

F-11 Seat

(S1083)	Black
(S1083A)	Blue
(S1083B)	Red

F2330

F-12 Meter(s)

(S1083)	Black
(S1083A)	Blue
(S1083B)	Red

F2540

F-13 Cables

(S1083)	Black
(S1083A)	Blue
(S1083B)	Red

F2610

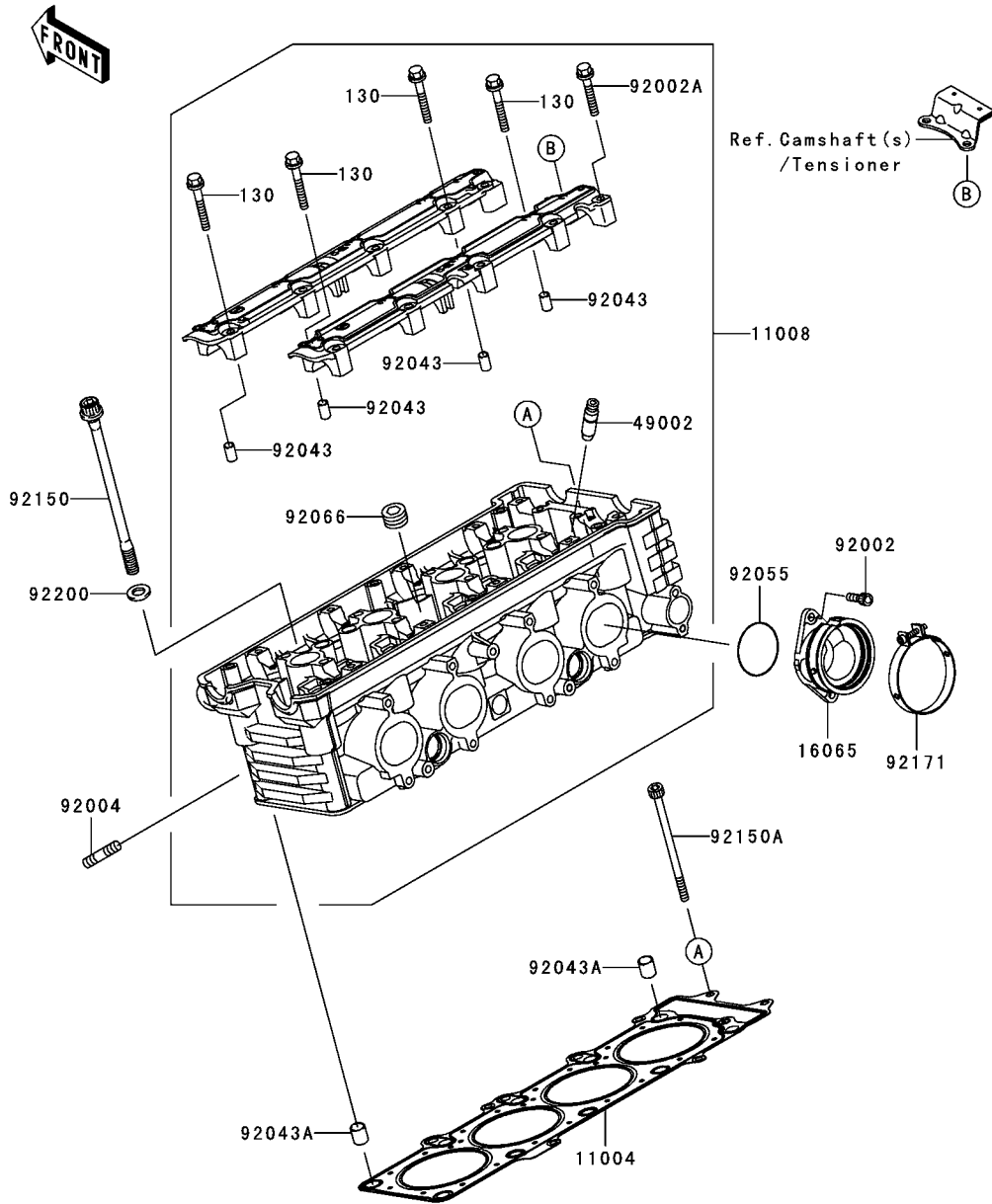
F-14 Side Covers/Chain Cover

(S1083)	Black
(S1083A)	Blue
(S1083B)	Red

This catalog covers:
'05 ZR750-K1H Engine

GRID NO. **B-3** This grid covers:
Cylinder Head

E1111



Ref. No.	Part No.	Description	Spec Code	Quantity-ZR750	
				'05	K1H
11004	11004-0006	GASKET-HEAD			1
11008	11008-0013	HEAD-COMP-CYLINDER			1
16065	16065-0008	HOLDER-THROTTLE			4
49002	49002-1116	GUIDE-VALVE			AR
92002	92002-1143	BOLT,6X16			8
92002A	92002-1756	BOLT,6X40			16
92004	92004-1249	STUD,8X22			8
92043	92043-1263	PIN,6.2X8X14			4
92043A	92043-4009	PIN,10.1X12X14			2
92055	92055-1401	RING-O,43.7X1.9			4
92066	92066-0002	PLUG,PT1/2X12.5			5
92150	92150-1368	BOLT,10X165			10
92150A	92150-1755	BOLT,SOCKET,6X110			2
92171	92171-1552	CLAMP			4
92200	92200-1042	WASHER,10.5X19X2.3			10
130	130P0645	BOLT-FLANGED			4

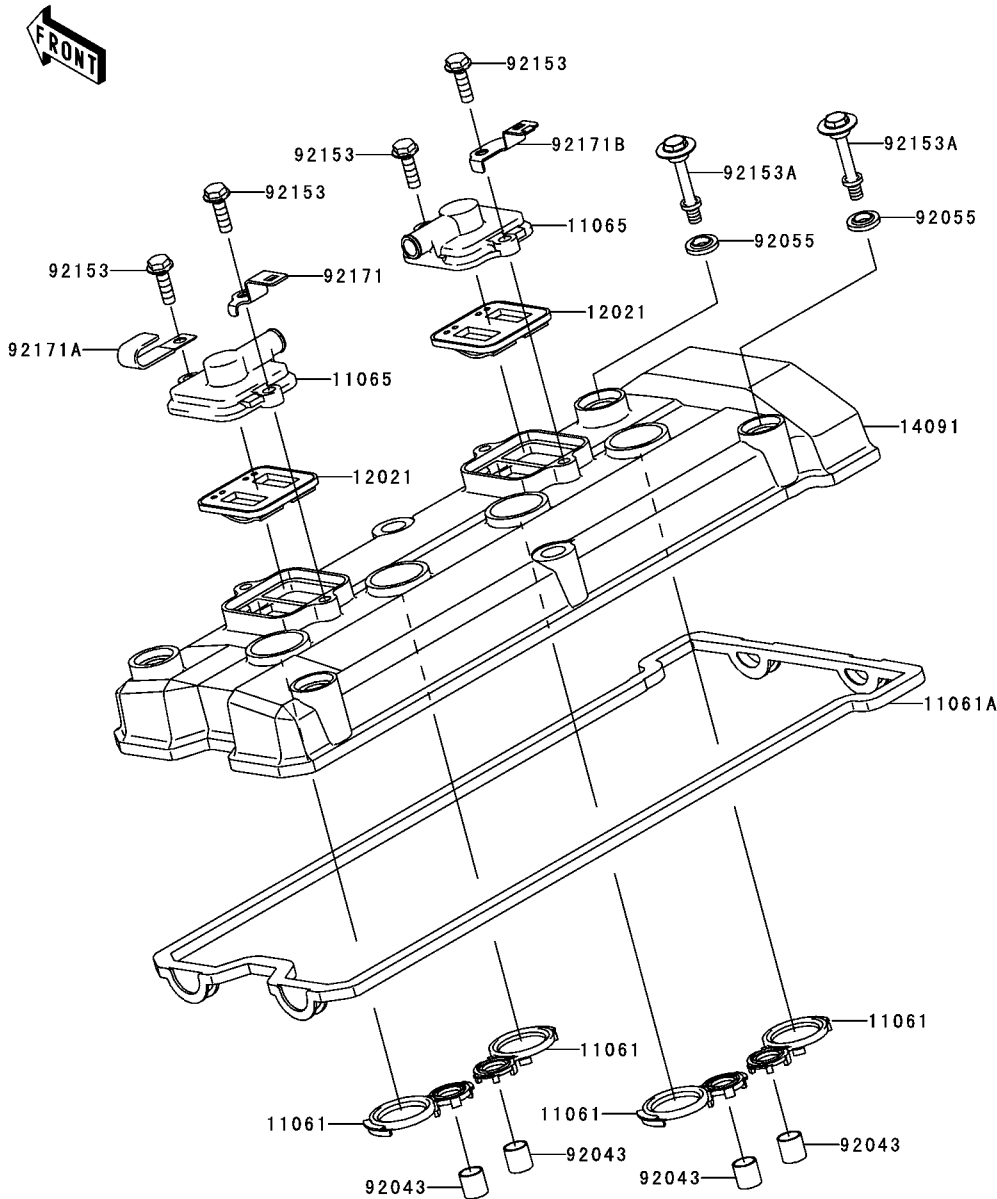
This catalog covers:
'05 ZR750-K1H Engine

GRID NO.

B-4

This grid covers:
Cylinder Head Cover

E1112



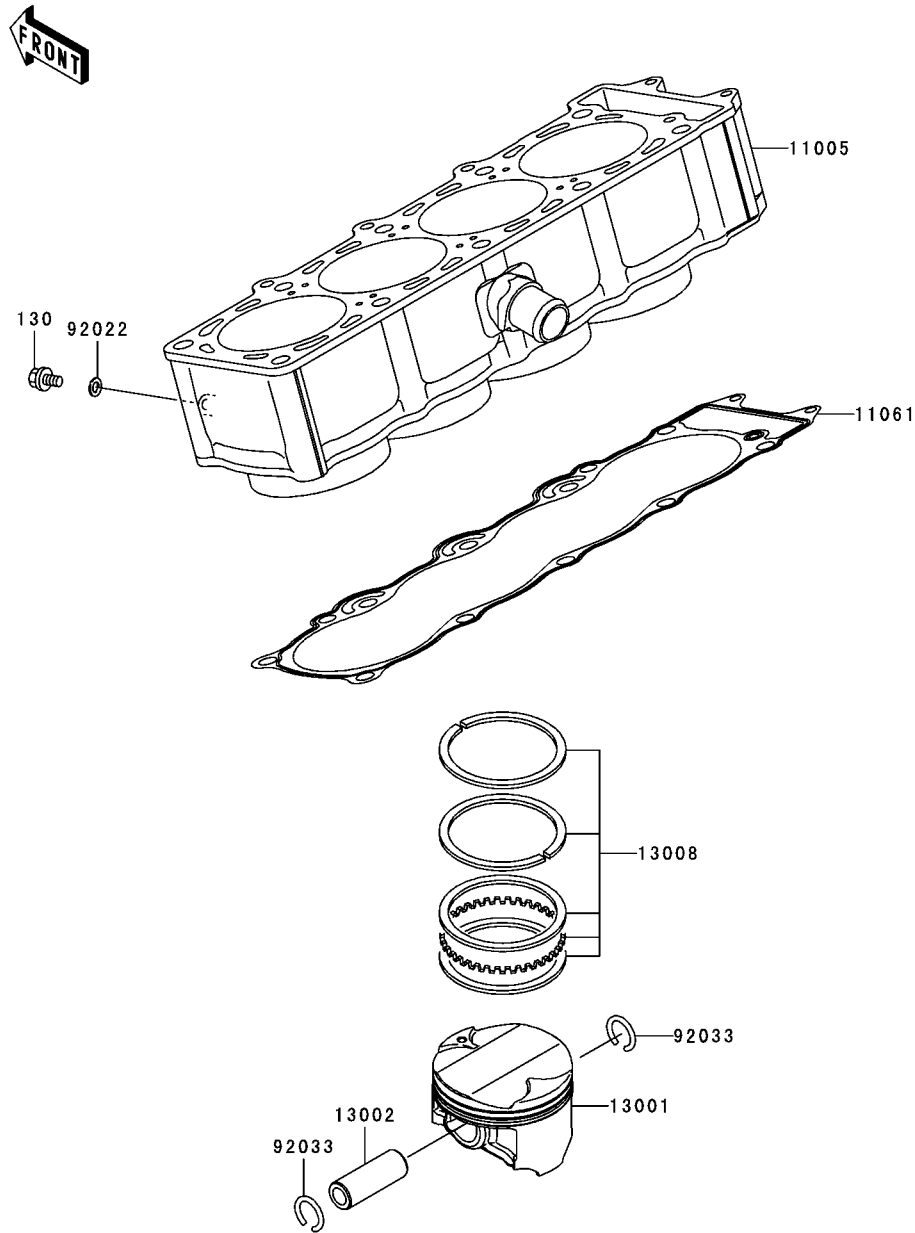
Ref. No.	Part No.	Description	Spec Code	Quantity-ZR750	
				'05	K1H
11061	11061-0104	GASKET,SPARK PLUG		4	
11061A	11061-1165	GASKET,HEAD COVER		1	
11065	11065-1247	CAP		2	
12021	12021-1130	VALVE-ASSY-REED		2	
14091	14091-0105	COVER,HEAD		1	
92043	92043-4009	PIN,10.1X12X14		4	
92055	92055-1352	RING-O,HEAD COVER BOLT		6	
92153	92153-0602	BOLT,6X18		4	
92153A	92153-0610	BOLT		6	
92171	92171-0051	CLAMP,LH		1	
92171A	92171-0305	CLAMP		1	
92171B	92171-0311	CLAMP,RH		1	

This catalog covers:
'05 ZR750-K1H Engine

GRID NO. **B-5** This grid covers:
Cylinder/Piston(s)

E1120

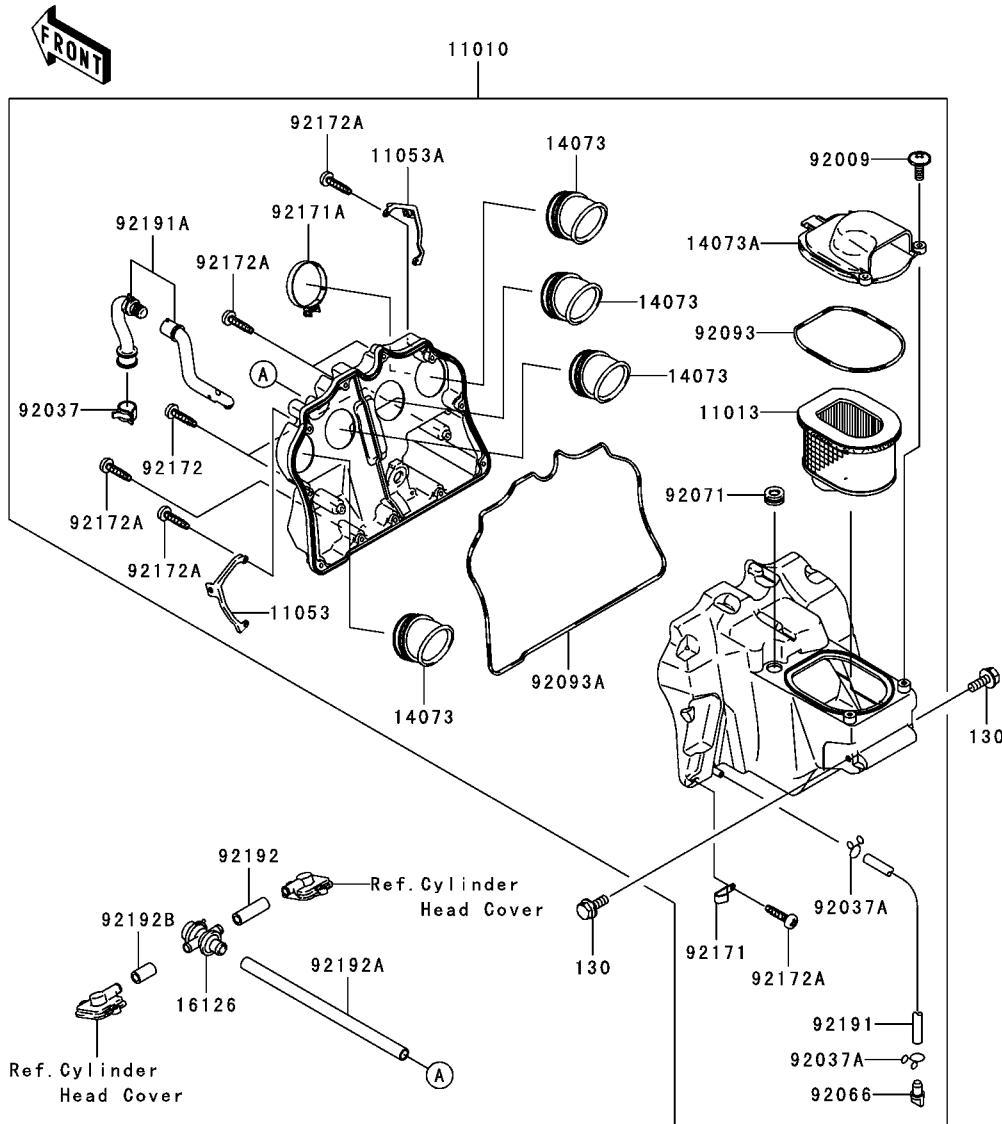
Ref. No.	Part No.	Description	Spec Code	Quantity-ZR750			
				'05			
11005	11005-0015	CYLINDER-ENGINE		1			
11061	11061-1168	GASKET,CYLINDER BASE		1			
13001	13001-0018	PISTON-ENGINE		4			
13002	13002-0003	PIN-PISTON		4			
13008	13008-0004	RING-SET-PISTON		4			
92022	92022-304	WASHER,6.2X11X1		1			
92033	92033-1099	RING-SNAP,20.5X1.2		8			
130	130Y0610	BOLT-FLANGED		1			



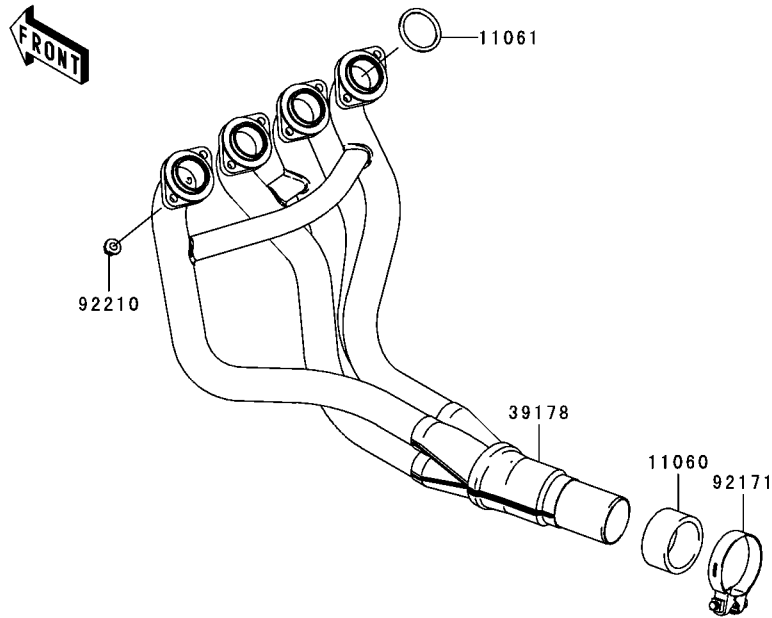
This catalog covers:
'05 ZR750-K1H Engine

GRID NO. **B-6** This grid covers:
Air Cleaner

E1130

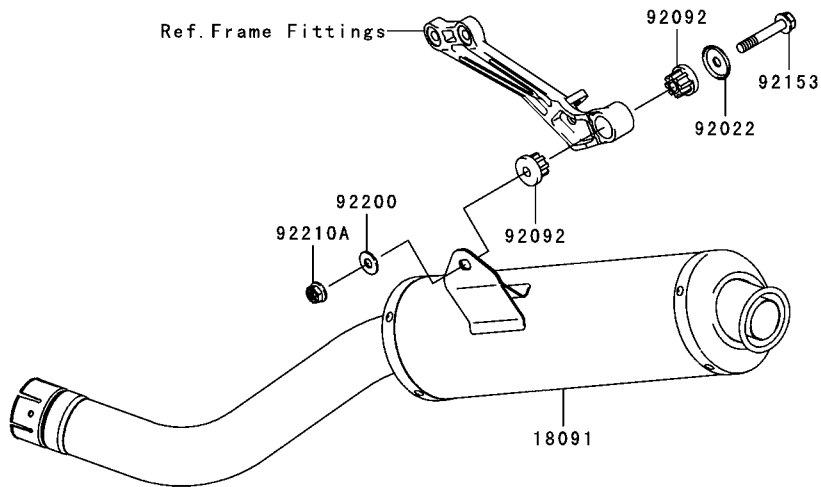


Ref. No.	Part No.	Description	Spec Code	Quantity-ZR750	
				'05	K1H
11010	11010-0017	FILTER-ASSY-AIR			1
11013	11013-1302	ELEMENT-AIR FILTER			1
11053	11053-0424	BRACKET,LH			1
11053A	11053-0425	BRACKET,RH			1
14073	14073-0013	DUCT			4
14073A	14073-0036	DUCT			1
16126	16126-1433	VALVE,AIR SWITCH			1
92009	92009-1621	SCREW,6X16			2
92037	92037-1460	CLAMP			1
92037A	92037-147	CLAMP,TUBE			2
92066	92066-1211	PLUG,DRAIN			1
92071	92071-2140	GROMMET			1
92093	92093-0002	SEAL			1
92093A	92093-1583	SEAL			1
92171	92171-1539	CLAMP			1
92171A	92171-1553	CLAMP			4
92172	92172-0009	SCREW,TAPPING,5X20			2
92172A	92172-0056	SCREW			11
92191	92191-0019	TUBE,7X10X320			1
92191A	92191-1783	TUBE			1
92192	92192-0004	TUBE,10X16X51			1
92192A	92192-0007	TUBE,12X18X290			1
92192B	92192-0009	TUBE,10X16X29			1
130	130J0608	BOLT-FLANGED,6X8			2



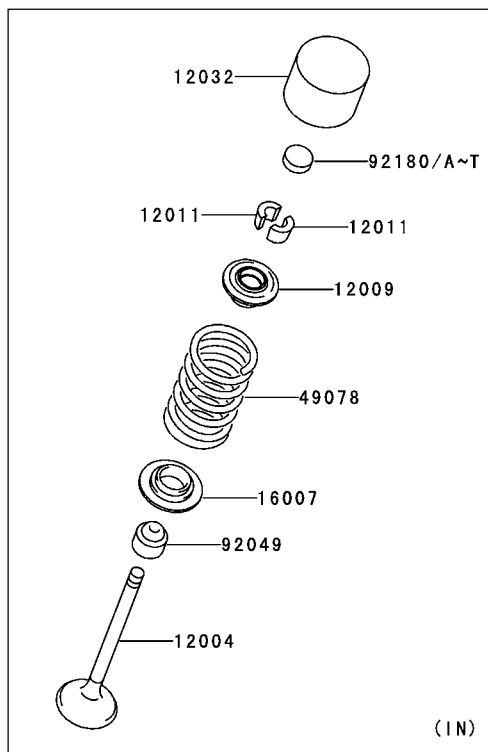
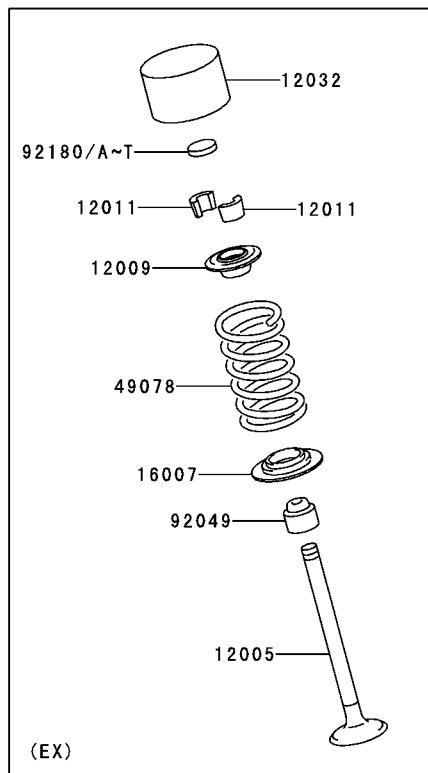
E1140

Ref. No.	Part No.	Description	Spec Code	Quantity-ZR750		
				'05		
11060	11060-1971	GASKET				1
11061	11061-0158	GASKET,EXHAUST PIPE				4
18091	18091-0239	BODY-COMP-MUFFLER				1
39178	39178-0029	MANIFOLD-COMP-EXHAUST				1
92022	92022-289	WASHER				1
92092	92092-1087	BUSHING-RUBBER,MUFFLER				2
92153	92153-0526	BOLT,10X62				1
92171	92171-0360	CLAMP				1
92200	92200-1377	WASHER,10.5X25X2.0				1
92210	92210-0121	NUT,8MM				8
92210A	92210-1139	NUT,LOCK,FLANGED,10MM				1

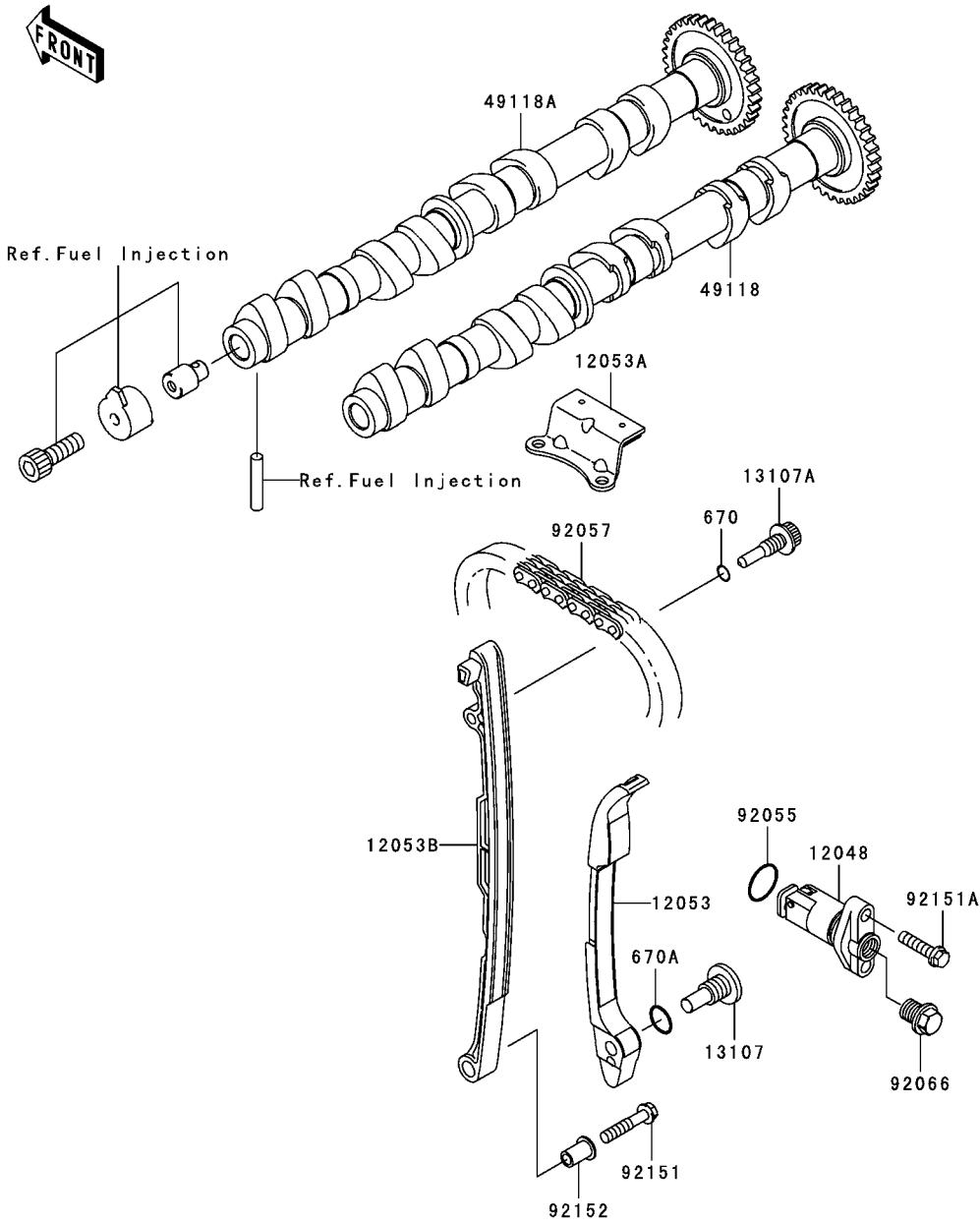


E1210

Ref. No.	Part No.	Description	Spec Code	Quantity-ZR750			
				'05			
				K1H			
12004	12004-0005	VALVE-INTAKE		8			
12005	12005-0010	VALVE-EXHAUST		8			
12009	12009-0001	RETAINER-VALVE SPRING		16			
12011	12011-1052	COLLET		32			
12032	12032-0008	TAPPET		16			
16007	16007-1227	SEAT-SPRING		16			
49078	49078-0023	SPRING-ENGINE VALVE		16			
92049	92049-1308	SEAL-OIL, VALVE GUIDE		16			
92180	92180-1014	SHIM,T=2.50		16			
92180A	92180-1016	SHIM,T=2.55	AR				
92180B	92180-1018	SHIM,T=2.60	AR				
92180C	92180-1020	SHIM,T=2.65	AR				
92180D	92180-1022	SHIM,T=2.70	AR				
92180E	92180-1024	SHIM,T=2.75	AR				
92180F	92180-1026	SHIM,T=2.80	AR				
92180G	92180-1028	SHIM,T=2.85	AR				
92180H	92180-1030	SHIM,T=2.90	AR				
92180I	92180-1032	SHIM,T=2.95	AR				
92180J	92180-1034	SHIM,T=3.00	AR				
92180K	92180-1036	SHIM,T=3.05	AR				
92180L	92180-1038	SHIM,T=3.10	AR				
92180M	92180-1040	SHIM,T=3.15	AR				
92180N	92180-1042	SHIM,T=3.20	AR				
92180O	92180-1044	SHIM,T=3.25	AR				
92180P	92180-1046	SHIM,T=3.30	AR				
92180Q	92180-1048	SHIM,T=3.35	AR				
92180R	92180-1050	SHIM,T=3.40	AR				
92180S	92180-1052	SHIM,T=3.45	AR				
92180T	92180-1054	SHIM,T=3.50	AR				



E1230



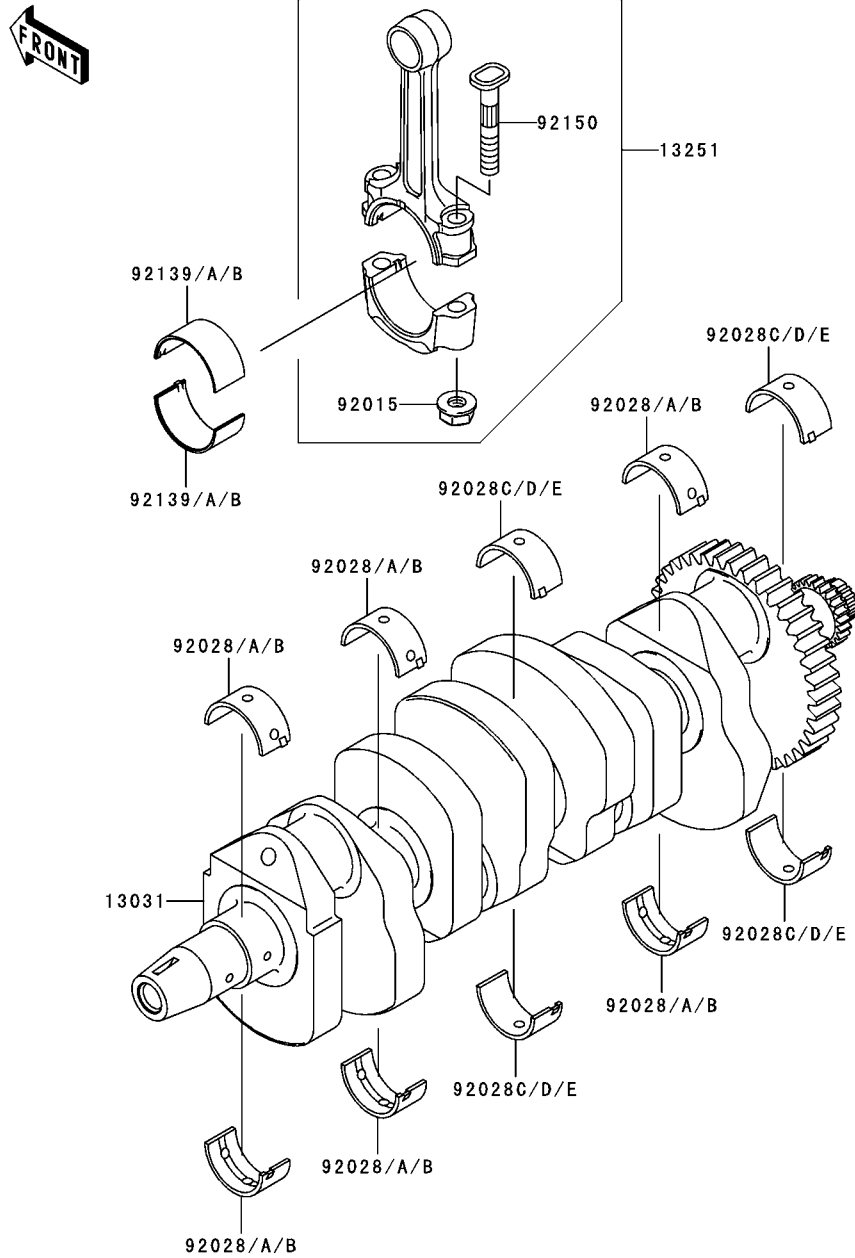
Ref. No.	Part No.	Description	Spec Code	Quantity-ZR750	
				'05	K1H
12048	12048-0003	TENSIONER-ASSY		1	
12053	12053-1399	GUIDE-CHAIN,RR		1	
12053A	12053-1473	GUIDE-CHAIN,UPP		1	
12053B	12053-1478	GUIDE-CHAIN,FR		1	
13107	13107-1376	SHAFT		1	
13107A	13107-1416	SHAFT,CHAIN GUIDE,FR		1	
49118	49118-0010	CAMSHAFT-COMP,INTAKE		1	
49118A	49118-0011	CAMSHAFT-COMP,EXHAUST		1	
92055	92055-086	RING-O,18.8X1.9		1	
92057	92057-1453	CHAIN,CAM,92RH2015-126M		1	
92066	92066-3780	PLUG		1	
92151	92151-1134	BOLT,6X30		1	
92151A	92151-1930	BOLT,FLANGED,M6X25		2	
92152	92152-1167	COLLAR		1	
670	670D1509	O RING,9MM		1	
670A	670D2014	O RING,14MM		1	

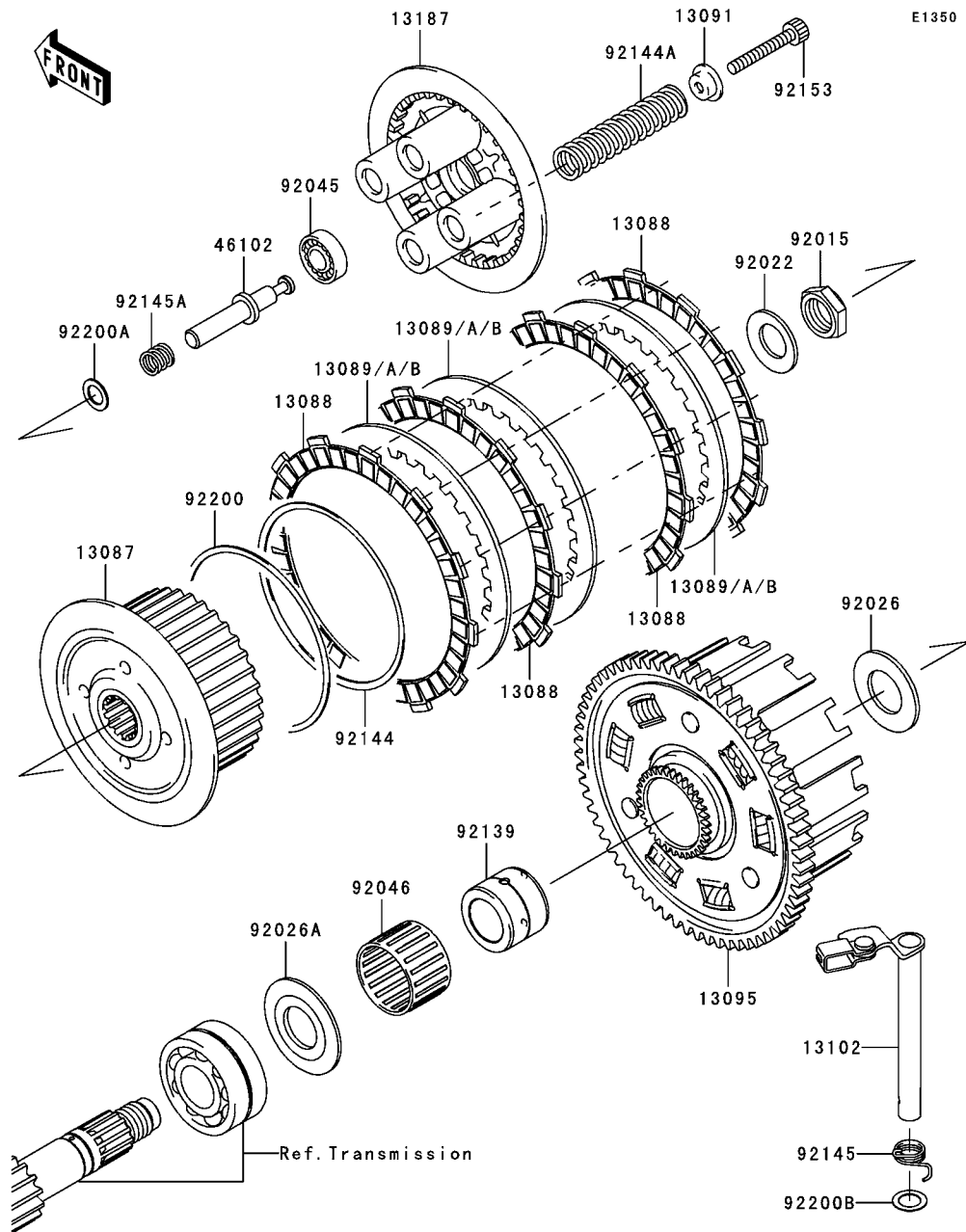
This catalog covers:
'05 ZR750-K1H Engine

GRID NO. **B-10** This grid covers:
Crankshaft

E1321

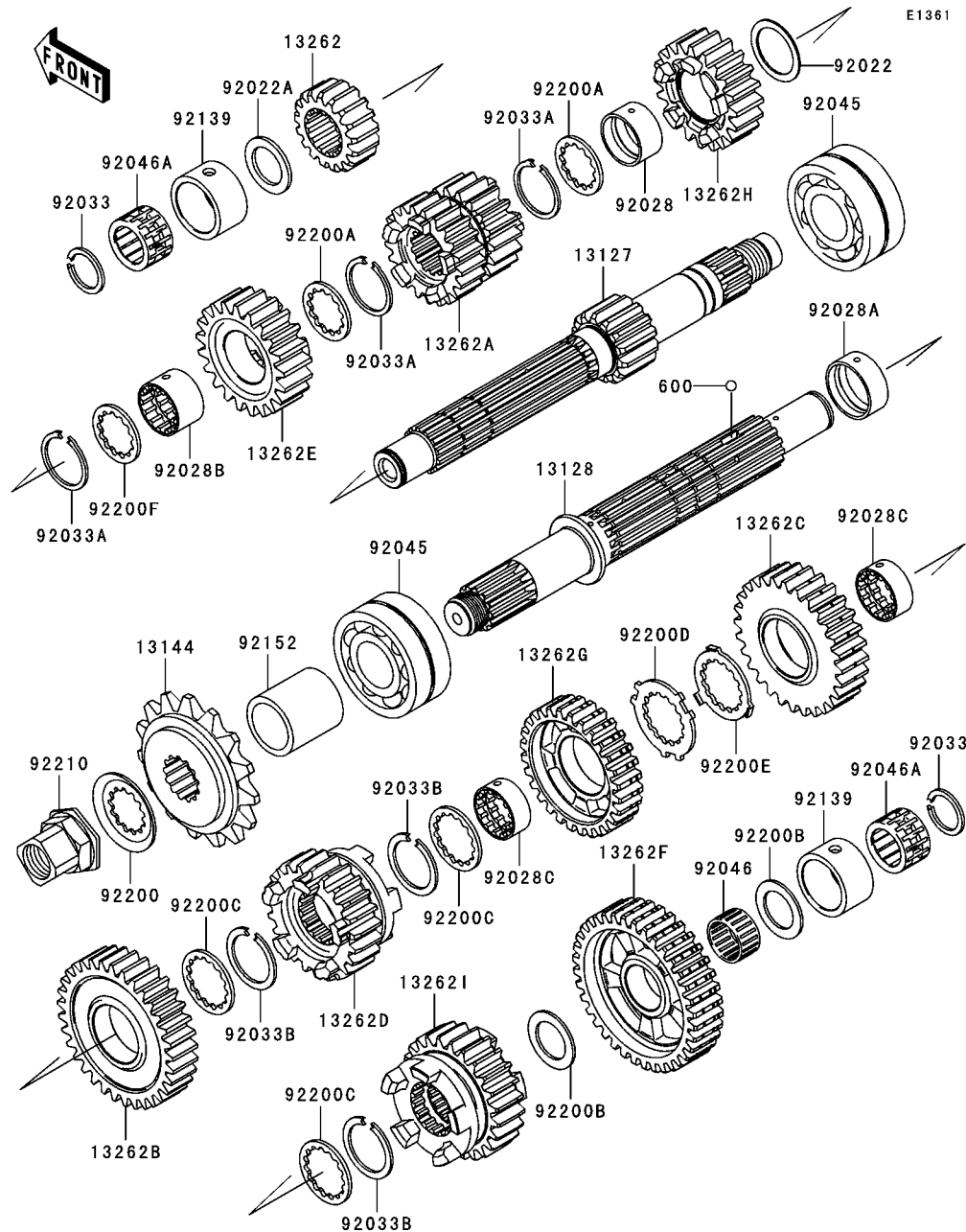
Ref. No.	Part No.	Description	Spec Code	Quantity-ZR750	
				'05	K1H
13031	13031-0003	CRANKSHAFT-COMP		1	
13251	13251-1145-II	ROD-ASSY-CONNECTING,II		4	
92015	92015-1311	NUT,FLANGED,8MM		8	
92028	92028-1827	BUSHING,CRANK,BLUE		6	
92028A	92028-1828	BUSHING,CRANK,BLACK		AR	
92028B	92028-1829	BUSHING,CRANK,BROWN		AR	
92028C	92028-1866	BUSHING,CRANK,BLUE		4	
92028D	92028-1867	BUSHING,CRANK,BLACK		AR	
92028E	92028-1868	BUSHING,CRANK,BROWN		AR	
92139	92139-1108	BUSHING,CONNECTING ROD,BLUE		8	
92139A	92139-1109	BUSHING,CONNECTING ROD,BLACK		AR	
92139B	92139-1110	BUSHING,CONNECTING ROD,BROWN		AR	
92150	92150-1216	BOLT,CONNECTING ROD,8MM		8	





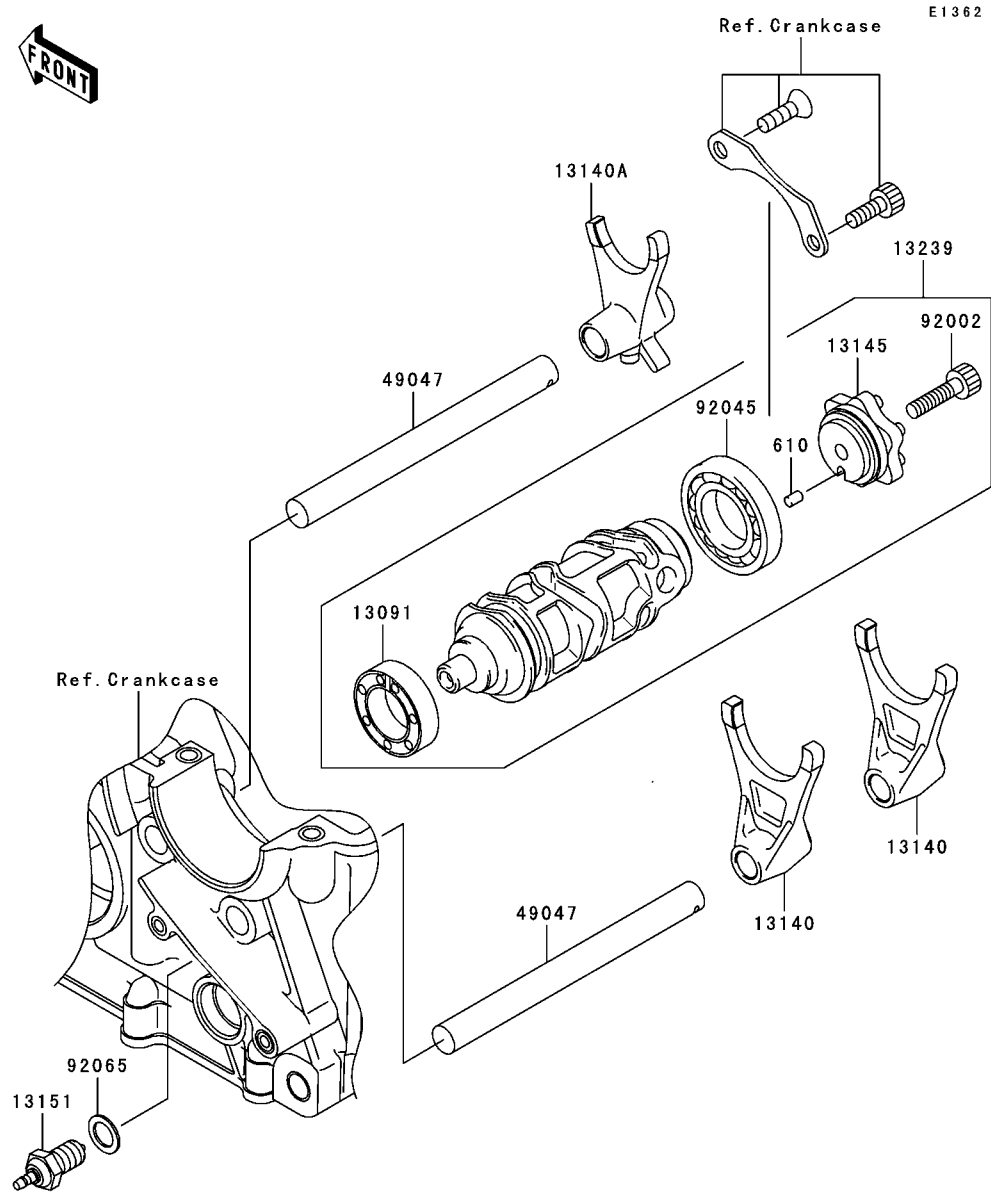
E1350

Ref. No.	Part No.	Description	Spec Code	Quantity-ZR750	
				'05	K1H
13087	13087-0006	HUB-CLUTCH		1	
13088	13088-1124	PLATE-FRICTION		9	
13089	13089-013	PLATE-CLUTCH,T=1.6		8	
13089A	13089-1073	PLATE-CLUTCH,T=2.0		AR	
13089B	13089-1126	PLATE-CLUTCH,T=1.4		AR	
13091	13091-1041	HOLDER,CLUTCH SPRING		4	
13095	13095-0012	HOUSING-COMP-CLUTCH		1	
13102	13102-0007	RELEASE-COMP-CLUTCH		1	
13187	13187-0003	PLATE-CLUTCH OPERATING		1	
46102	46102-1449	ROD		1	
92015	92015-1555	NUT,20MM		1	
92022	92022-1868	WASHER		1	
92026	92026-022	SPACER,25.5X47X2.5		1	
92026A	92026-1497	SPACER		1	
92045	92045-1235	BEARING-BALL,6001C3ML01		1	
92046	92046-1263	BEARING-NEEDLE,K38X43X28.8X		1	
92139	92139-0067	BUSHING,25X38X29.05		1	
92144	92144-1854	SPRING,FRICTION PLATE		1	
92144A	92144-1898	SPRING,CLUTCH,WHITE		4	
92145	92145-0066	SPRING,CLUTCH RELEASE		1	
92145A	92145-1159	SPRING,ROD		1	
92153	92153-0332	BOLT		4	
92200	92200-1260	WASHER,FRICTION PLATE		1	
92200A	92200-1423	WASHER,11.2X18X0.5		1	
92200B	92200-1487	WASHER,12X18.5X0.5		1	



E1361

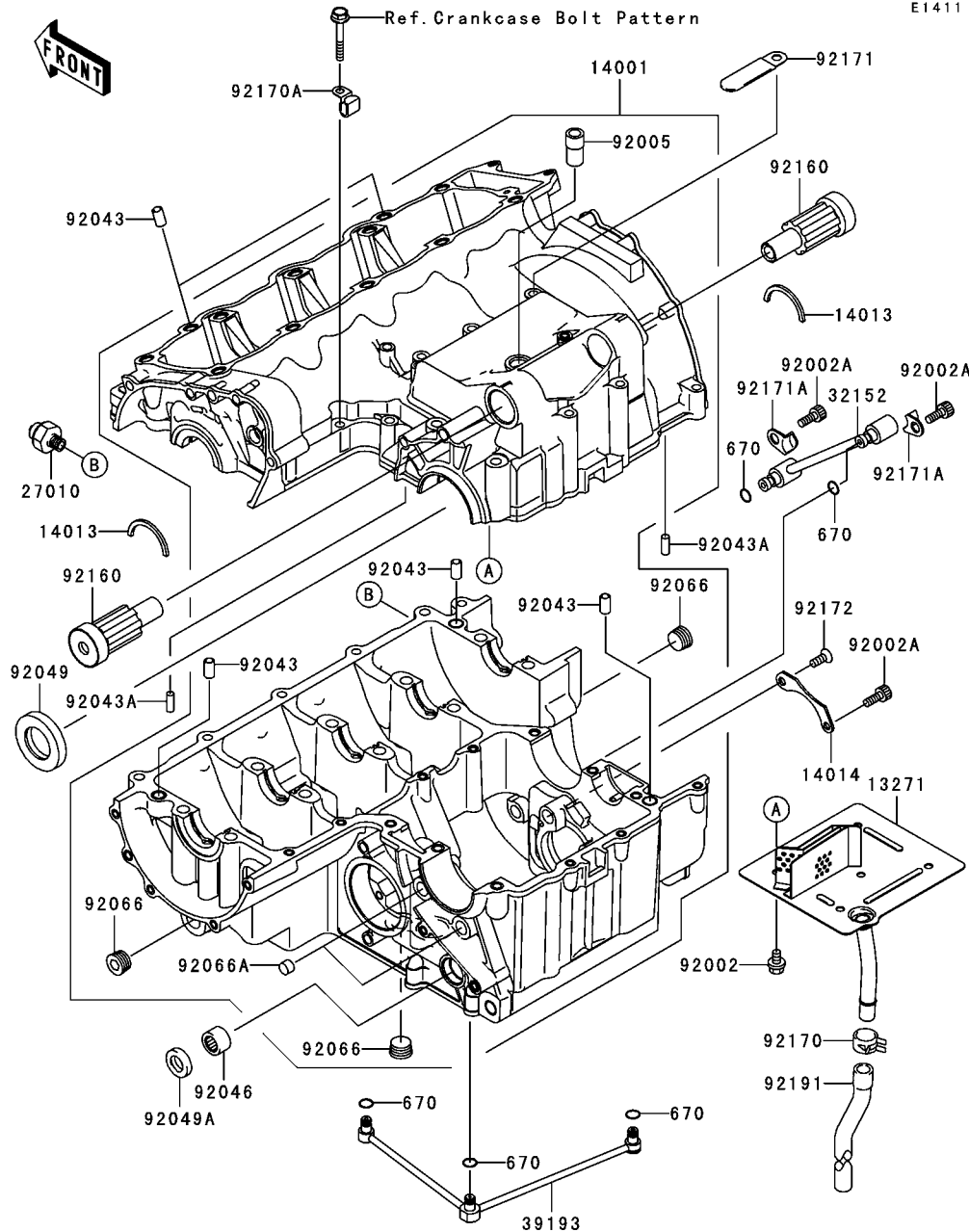
Ref. No.	Part No.	Description	Spec Code	Quantity-ZR750		
				'05		
				K1H		
13127	13127-0008	SHAFT-TRANSMISSION INPUT,14T				1
13128	13128-0005	SHAFT-TRANSMISSION OUTPUT				1
13144	13144-0007	SPROCKET-OUTPUT,15T				1
13262	13262-0064	GEAR,INPUT 2ND,17T				1
13262A	13262-0065	GEAR,INPUT 3RD&4TH,18T&21T				1
13262B	13262-0069	GEAR,OUTPUT 2ND,33T				1
13262C	13262-0070	GEAR,OUTPUT 3RD,28T				1
13262D	13262-0073	GEAR,OUTPUT TOP,15T				1
13262E	13262-0157	GEAR,INPUT TOP,21T				1
13262F	13262-0160	GEAR,OUTPUT LOW,36T				1
13262G	13262-0162	GEAR,OUTPUT 4TH,28T				1
13262H	13262-0163	GEAR,INPUT 5TH,20T				1
13262I	13262-0164	GEAR,OUTPUT 5TH,24T				1
92022	92022-1109	WASHER,25.3X33X1				1
92022A	92022-112	WASHER,20.5X30X1,STEEL				1
92028	92028-1735	BUSHING,INPUT 5TH GEAR				1
92028A	92028-1739	BUSHING,OUTPUT,2ND				1
92028B	92028-1915	BUSHING,INPUT TOP GEAR				1
92028C	92028-1968	BUSHING,OUTPUT,3RD&4TH				2
92033	92033-015	RING-SNAP,20MM				2
92033A	92033-026	RING-SNAP,24MM				3
92033B	92033-1249	RING-SNAP,T=1.5				3
92045	92045-0003	BEARING-BALL,DAC2557NSSH				2
92046	92046-1219	BEARING-NEEDLE,K20X24X13				1
92046A	92046-1303	BEARING-NEEDLE,PK20X27X17X3				2
92139	92139-1090	BUSHING,27X34X18.6				2
92152	92152-0177	COLLAR,SPROCKET				1
92200	92200-1065	WASHER				1
92200A	92200-1239	WASHER,25.2X31.0X1.5				2
92200B	92200-1375	WASHER,20.5X31X1.5				2
92200C	92200-1457	WASHER,T=2.0				3
92200D	92200-1522	WASHER,OUTPUT 4TH				1
92200E	92200-1523	WASHER,OUTPUT 3RD				1
92200F	92200-1524	WASHER,INPUT				1
92210	92210-1098	NUT,SPROCKET				1
600	600A0500	BALL-STEEL,5/32"				3



Ref. No.	Part No.	Description	Spec Code	Quantity-ZR750	
				'05	K1H
13091	13091-1791	HOLDER		1	
13140	13140-1266	FORK-SHIFT,OUTPUT		2	
13140A	13140-1267	FORK-SHIFT,INPUT		1	
13145	13145-0002	CAM-CHANGE DRUM		1	
13151	13151-1085	SWITCH-COMP		1	
13239	13239-0006	DRUM-ASSY-CHANGE		1	
49047	49047-0010	ROD-SHIFT		2	
92002	92002-1696	BOLT,SOCKET,6X25		1	
92045	92045-1045	BEARING-BALL,16005(NTN)		1	
92065	92065-058	GASKET,10.5X16X1		1	
610	610A0406	ROLLER,4X6		1	

This catalog covers:
'05 ZR750-K1H Engine

GRID NO. **C-3** This grid covers:
Crankcase



E1411

Ref. No.	Part No.	Description	Spec Code	Quantity-ZR750	
				'05	K1H
13271	13271-1511	PLATE,BREATHER			1
14001	14001-0025	SET-CRANKCASE			1
14013	14013-1051	RING-POSITION			2
14014	14014-1140	PLATE-POSITION			1
27010	27010-1313	SWITCH,OIL PRESSURE			1
32152	32152-1545	PIPE,RH,L=76.8			1
39193	39193-0014	PIPE-OIL			1
92002	92002-1449	BOLT,6X10			5
92002A	92002-1778	BOLT,SOCKET,6X16			3
92005	92005-1238	FITTING,BREATHER			1
92043	92043-1037	PIN,DOWEL,10X14			5
92043A	92043-1690	PIN,6X16			2
92046	92046-037	BEARING-NEEDLE,7E-HK1412			1
92049	92049-1474	SEAL-OIL,TC32578			1
92049A	92049-1520	SEAL-OIL,TC14245			1
92066	92066-0003	PLUG,PT3/8X10			3
92066A	92066-1110	PLUG			2
92160	92160-1868	DAMPER			2
92170	92170-1118	CLAMP			1
92170A	92170-1577	CLAMP			1
92171	92171-0092	CLAMP			1
92171A	92171-0302	CLAMP,OIL PIPE			2
92172	92172-0090	SCREW,6X16			1
92191	92191-1776	TUBE,BREATHER			1
670	670D1505	O RING			5

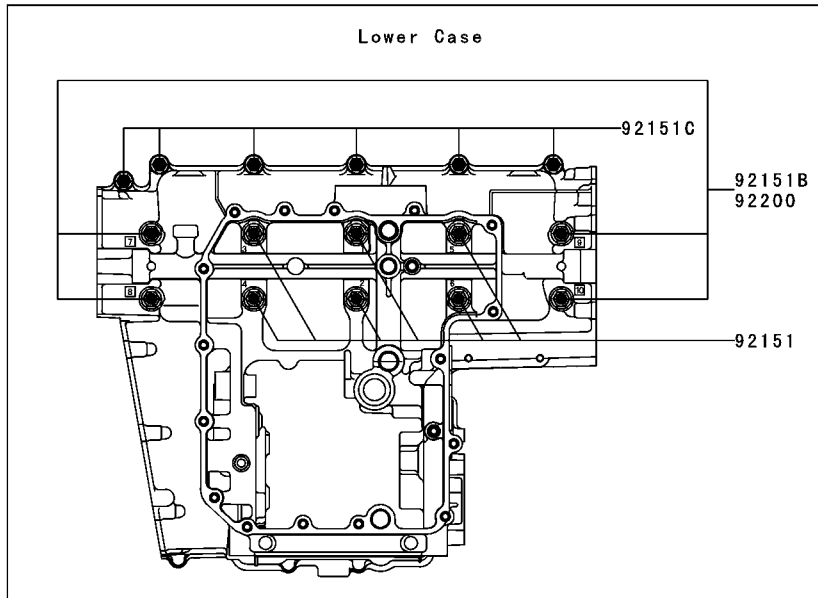
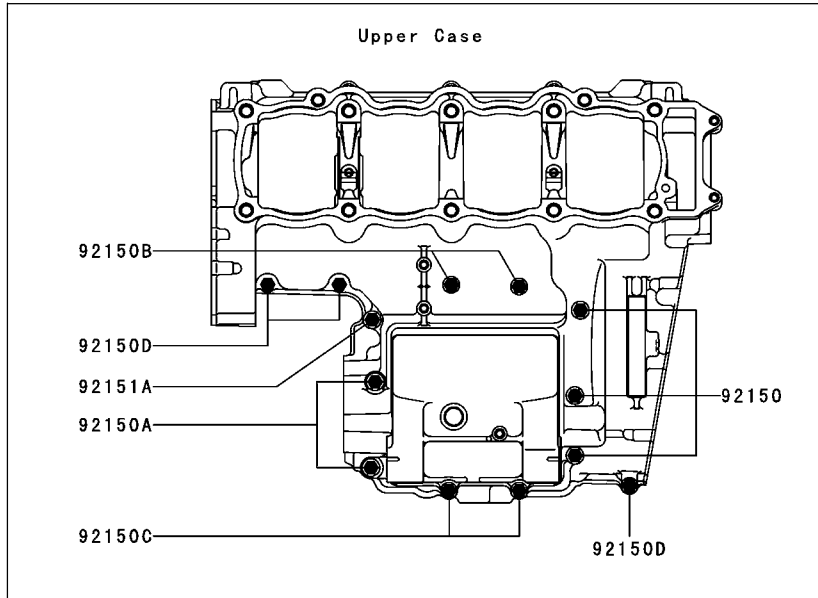
This catalog covers:
'05 ZR750-K1H Engine

GRID NO.

C-4

This grid covers:
Crankcase Bolt Pattern

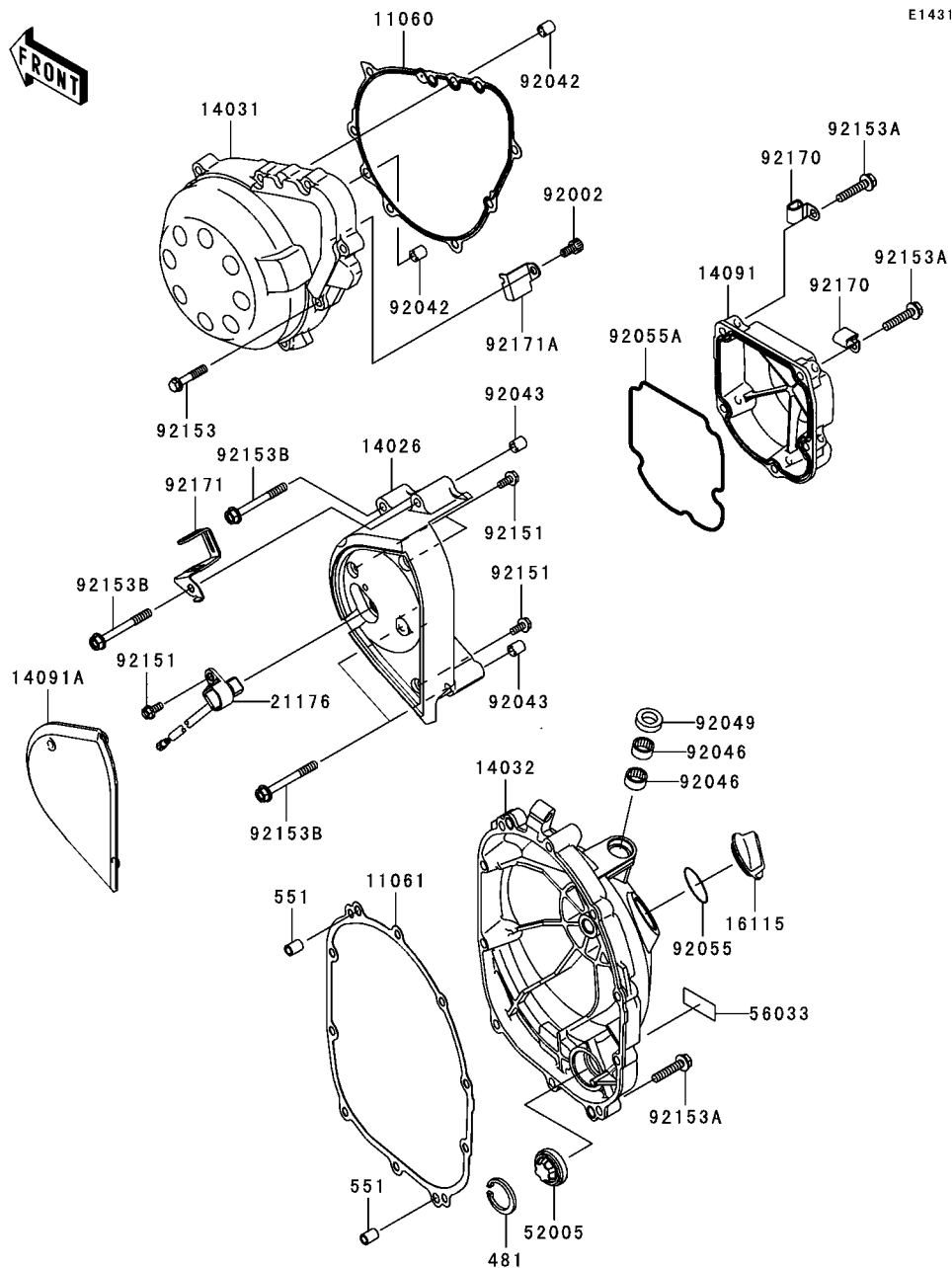
E1412



Ref. No.	Part No.	Description	Spec Code	Quantity-ZR750	
				'05	K1H
92150	92150-1251	BOLT,7X85		3	
92150A	92150-1483	BOLT,8X70		2	
92150B	92150-1548	BOLT,6X60		2	
92150C	92150-1622	BOLT,6X90		2	
92150D	92150-1794	BOLT,6X40		3	
92151	92151-1222	BOLT,9X81		6	
92151A	92151-1223	BOLT,7X50		1	
92151B	92151-1378	BOLT,9X95		4	
92151C	92151-1539	BOLT,7X45		6	
92200	92200-1426	WASHER		4	

This catalog covers:
'05 ZR750-K1H Engine

GRID NO. **C-5** This grid covers:
Engine Cover(s)



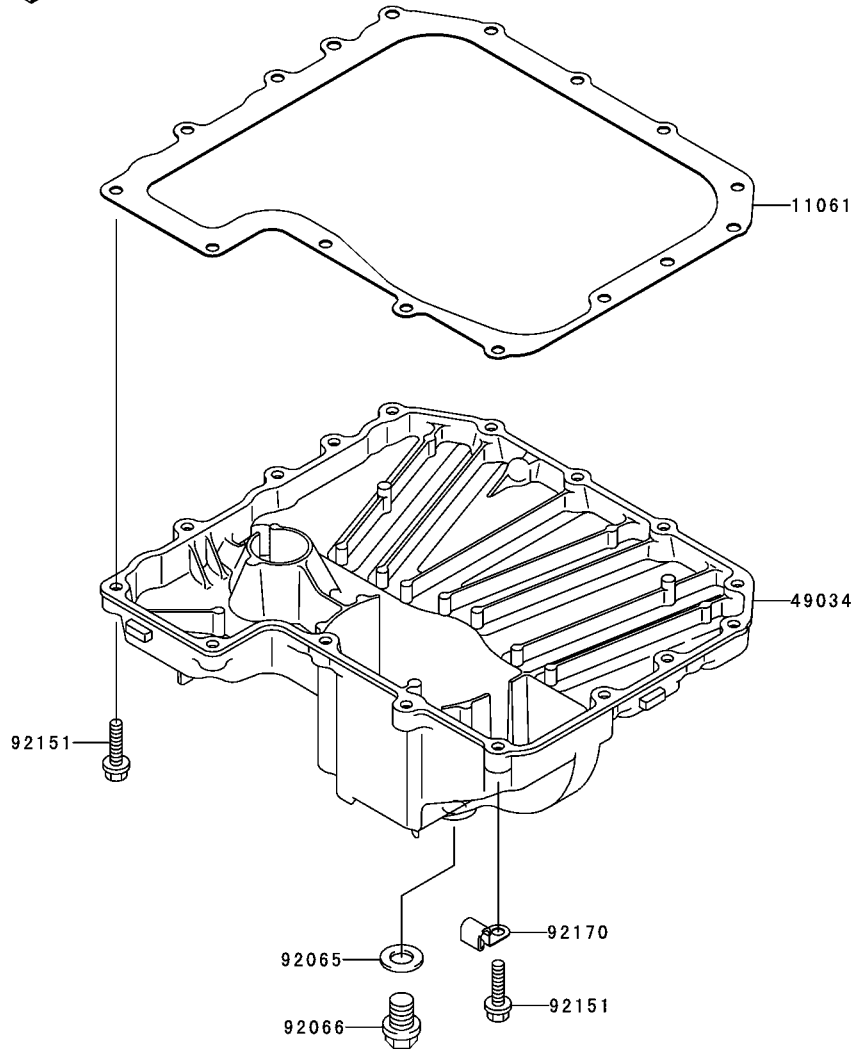
Ref. No.	Part No.	Description	Spec Code	Quantity-ZR750	
				'05	K1H
11060	11060-1854	GASKET,GENERATOR COVER		1	
11061	11061-1166	GASKET,CLUTCH COVER		1	
14026	14026-1293	COVER-CHAIN		1	
14031	14031-0010	COVER-GENERATOR		1	
14032	14032-0015	COVER-CLUTCH		1	
14091	14091-0106	COVER,PULSE		1	
14091A	14091-1529	COVER,RELEASE		1	
16115	16115-1009	CAP-OIL FILLER		1	
21176	21176-0032	SENSOR,SPEED		1	
52005	52005-1120	GAUGE		1	
56033	56033-0022	LABEL-MANUAL,OIL CAPACITY		1	
92002	92002-1796	BOLT,SOCKET,6X12		1	
92042	92042-007	PIN,DOWEL,6.3X8X14		2	
92043	92043-1263	PIN,6.2X8X14		2	
92046	92046-1010	BEARING-NEEDLE,HK1210		2	
92049	92049-1475	SEAL-OIL,CLUTCH RELEASE		1	
92055	92055-049	RING-O,31.7X2.4		1	
92055A	92055-1570	RING-O,PULSE COVER		1	
92151	92151-1305	BOLT,5X12		4	
92153	92153-0601	BOLT,6X30		8	
92153A	92153-0608	BOLT,6X30		15	
92153B	92153-0609	BOLT,6X55		4	
92170	92170-1577	CLAMP		2	
92171	92171-0067	CLAMP		1	
92171A	92171-1566	CLAMP		1	
481	481J3000	CIRCLIP-TYPE-C,30MM		1	
551	551A0814	PIN-DOWEL,8X14		2	

This catalog covers:
'05 ZR750-K1H Engine

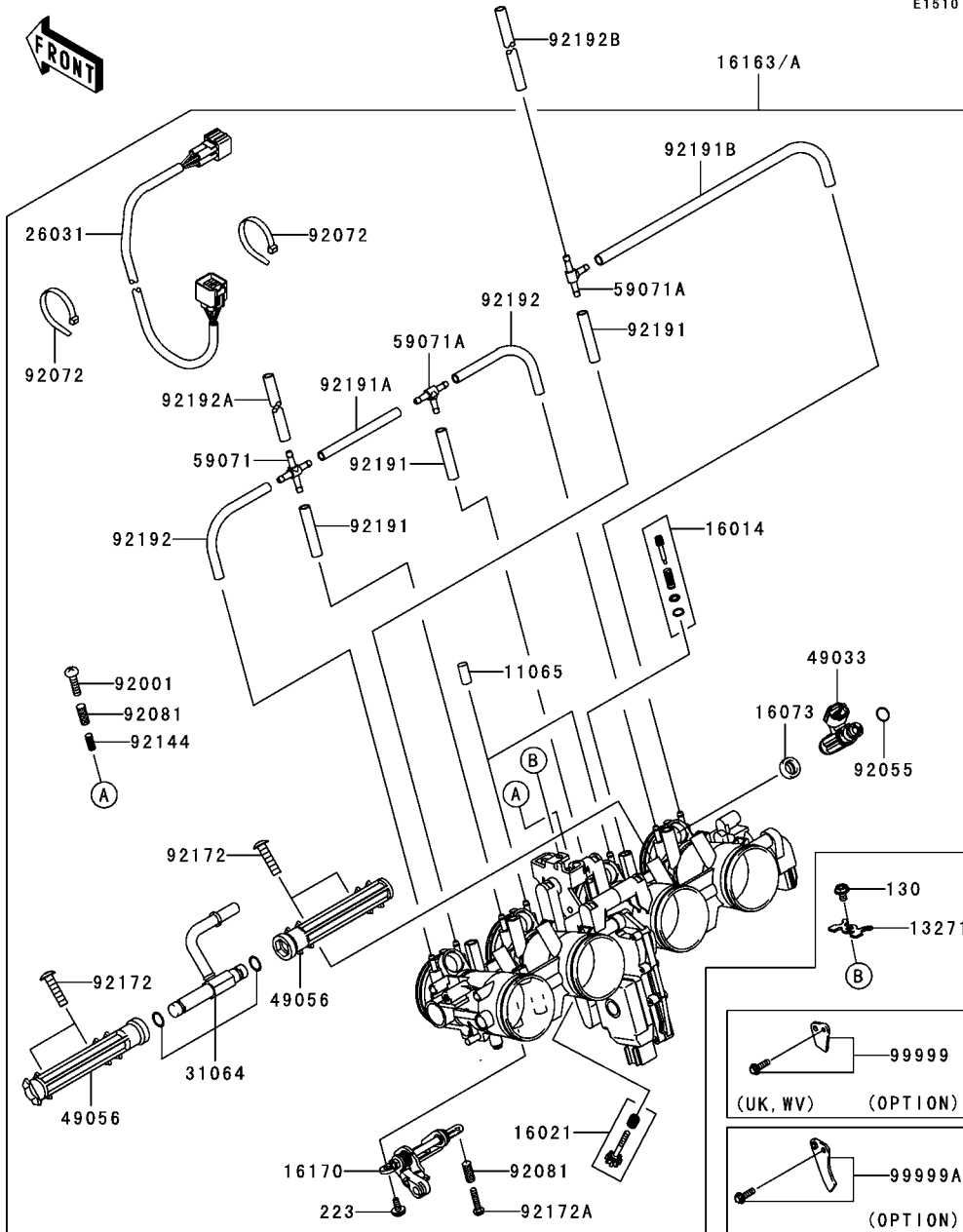
GRID NO. This grid covers:
C-6 Oil Pan

E1434

Ref. No.	Part No.	Description	Spec Code	Quantity-ZR750			
				'05			
				K1H			
11061	11061-1167	GASKET,OIL PAN					1
49034	49034-0004	PAN-OIL					1
92065	92065-097	GASKET,12X22X2					1
92066	92066-1174	PLUG,OIL DRAIN,12X15					1
92151	92151-1546	BOLT,6X25					16
92170	92170-1804	CLAMP					1



E1510



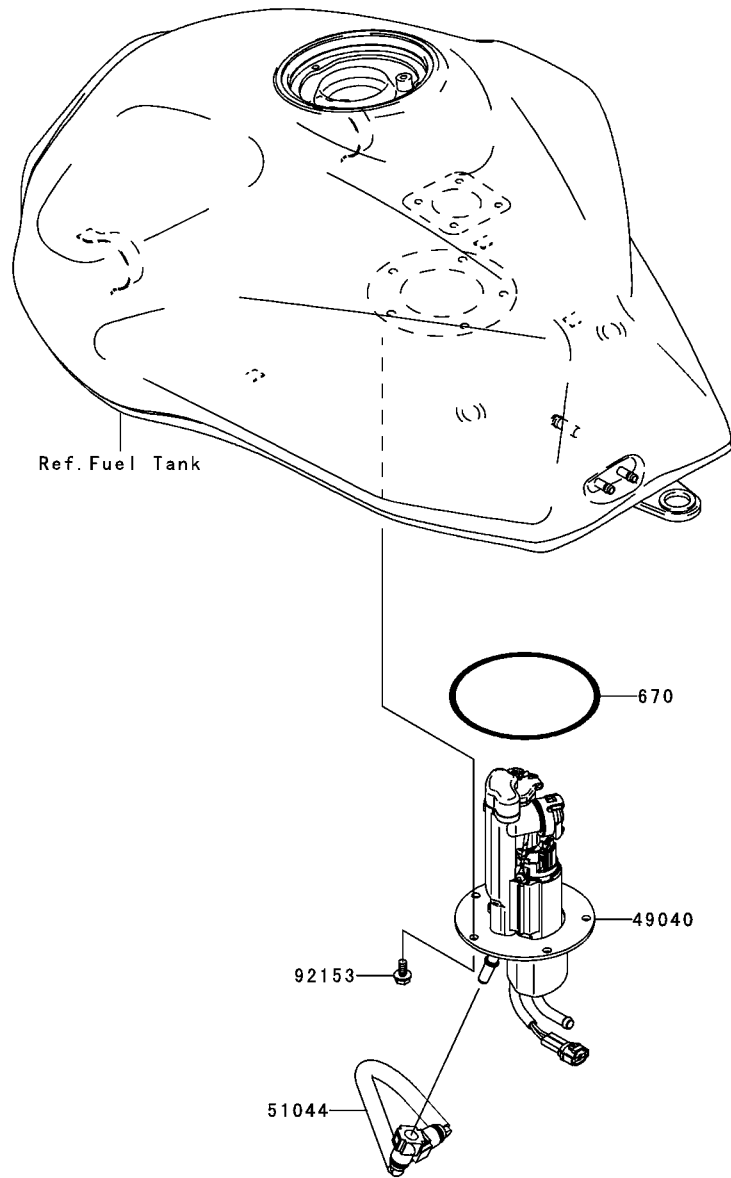
Ref. No.	Part No.	Description	Spec Code	Quantity-ZR750	
				'05	K1H
11065	11065-0018	CAP		2	
13271	13271-0056	PLATE		1	
16014	16014-0002	SCREW-PILOT AIR		4	
16021	16021-0002	SCREW-THROTTLE STOP		1	
16073	16073-3707	INSULATOR		4	
16163	16163-0065	THROTTLE-ASSY			
	L-----		UK,WV	1	
16163A	16163-0066	THROTTLE-ASSY			
	L-----		FR	1	
16170	16170-0002	LINK-ASSY		1	
26031	26031-0313	HARNESS		1	
31064	31064-0005	PIPE-COMP		1	
49033	49033-0005	NOZZLE-INJECTION		4	
49056	49056-0001	PIPE-INJECTION		2	
59071	59071-0014	JOINT,4WAY		1	
59071A	59071-3752	JOINT,3WAY,T		2	
92001	92001-1998	BOLT,THROTTLE ADJUST		1	
92055	92055-1622	RING-O,INJECTION NOZZLE		4	
92072	92072-0012	BAND,SUB-HARNESS		2	
92081	92081-1620	SPRING		2	
92144	92144-1451	SPRING		1	
92172	92172-0064	SCREW,PIPE INJECTION		4	
92172A	92172-0065	SCREW,THROTTLE SYNCRO		1	
92191	92191-0025	TUBE,3X7X30		3	
92191A	92191-0036	TUBE,3X7X82		1	
92191B	92191-0038	TUBE,3X7X265		1	
92192	92192-0018	TUBE,3X7X95		2	
92192A	92192-0019	TUBE,3X7X170		1	
92192B	92192-0062	TUBE,3X7X275		1	
99999	99999-0022	KIT.,72KW			
	L-----		UK,WV	1	
	(OPTION)				
99999A	99999-0026	KIT.,25KW		1	
	(OPTION)				
130	130G0508	BOLT-FLANGED,5X8		1	
223	223D0410	SCREW-PAN-WS-CROS		2	

This catalog covers:
'05 ZR750-K1H Engine

GRID NO. This grid covers:
C-8 Fuel Pump

E1520

Ref. No.	Part No.	Description	Spec Code	Quantity-ZR750			
				'05			
49040	49040-0009	PUMP-FUEL					1
51044	51044-1233	TUBE-ASSY					1
92153	92153-1283	BOLT,6X12					5
670	670E5075	O RING					1

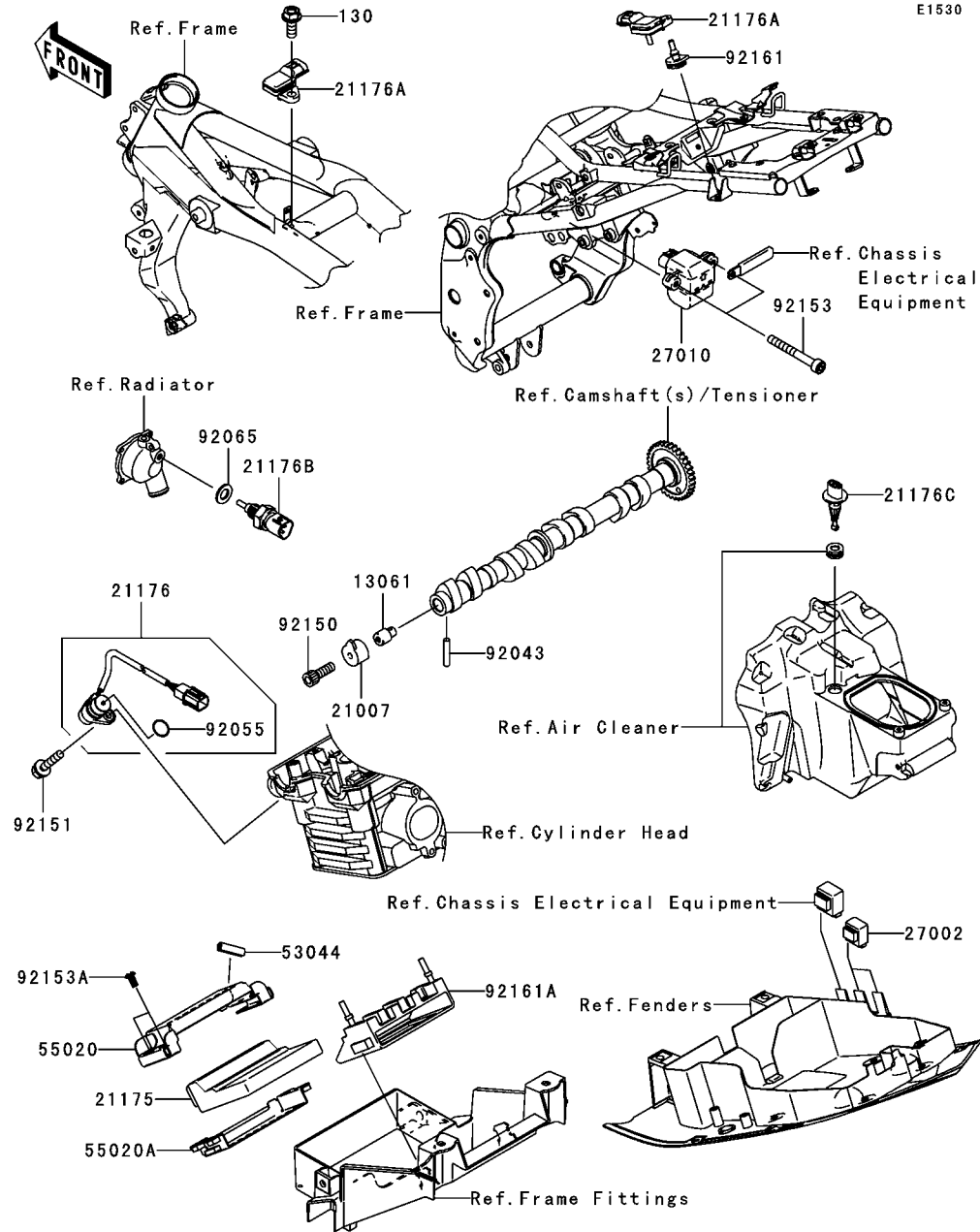


This catalog covers:
'05 ZR750-K1H Engine

GRID NO.

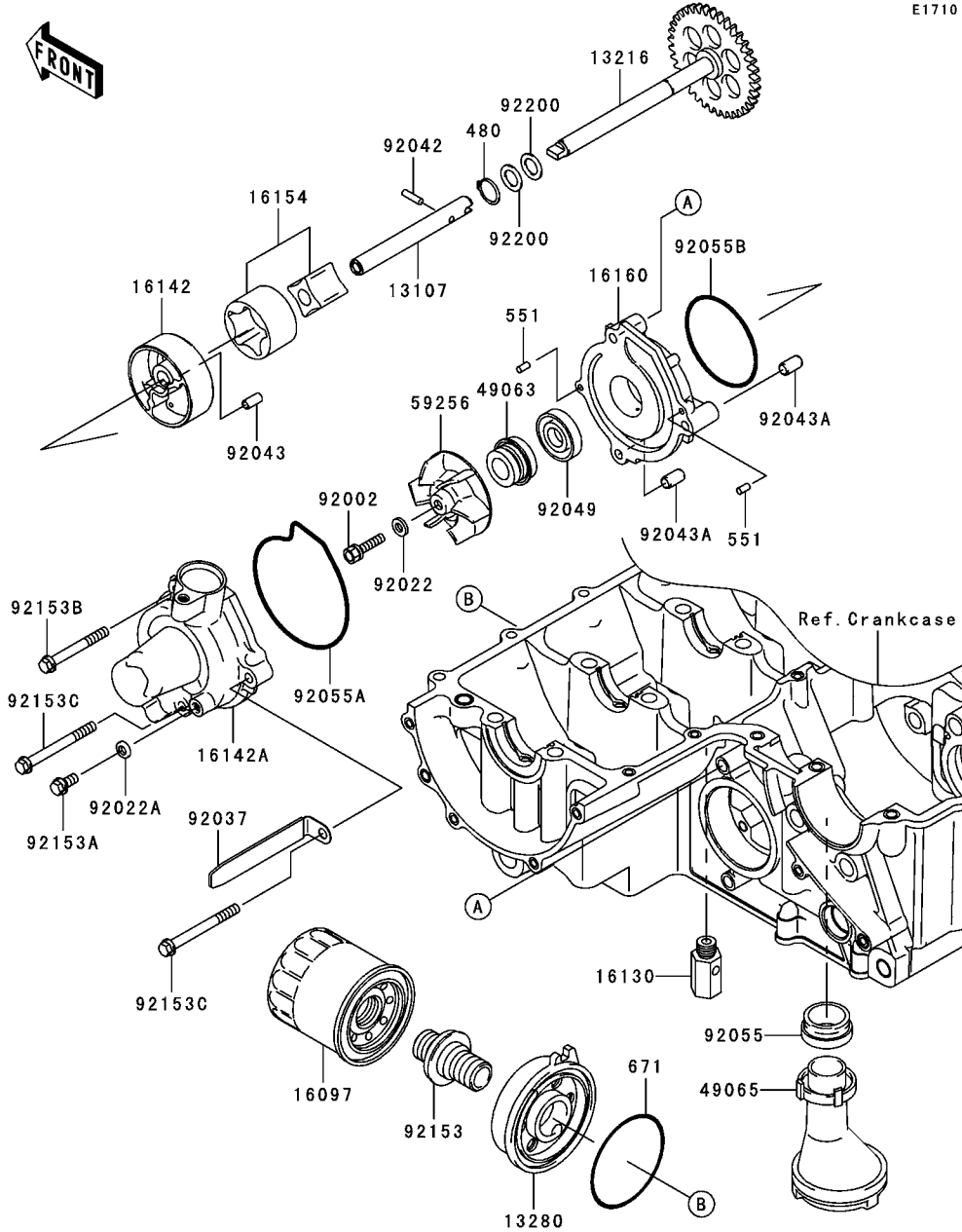
C-9

This grid covers:
Fuel Injection



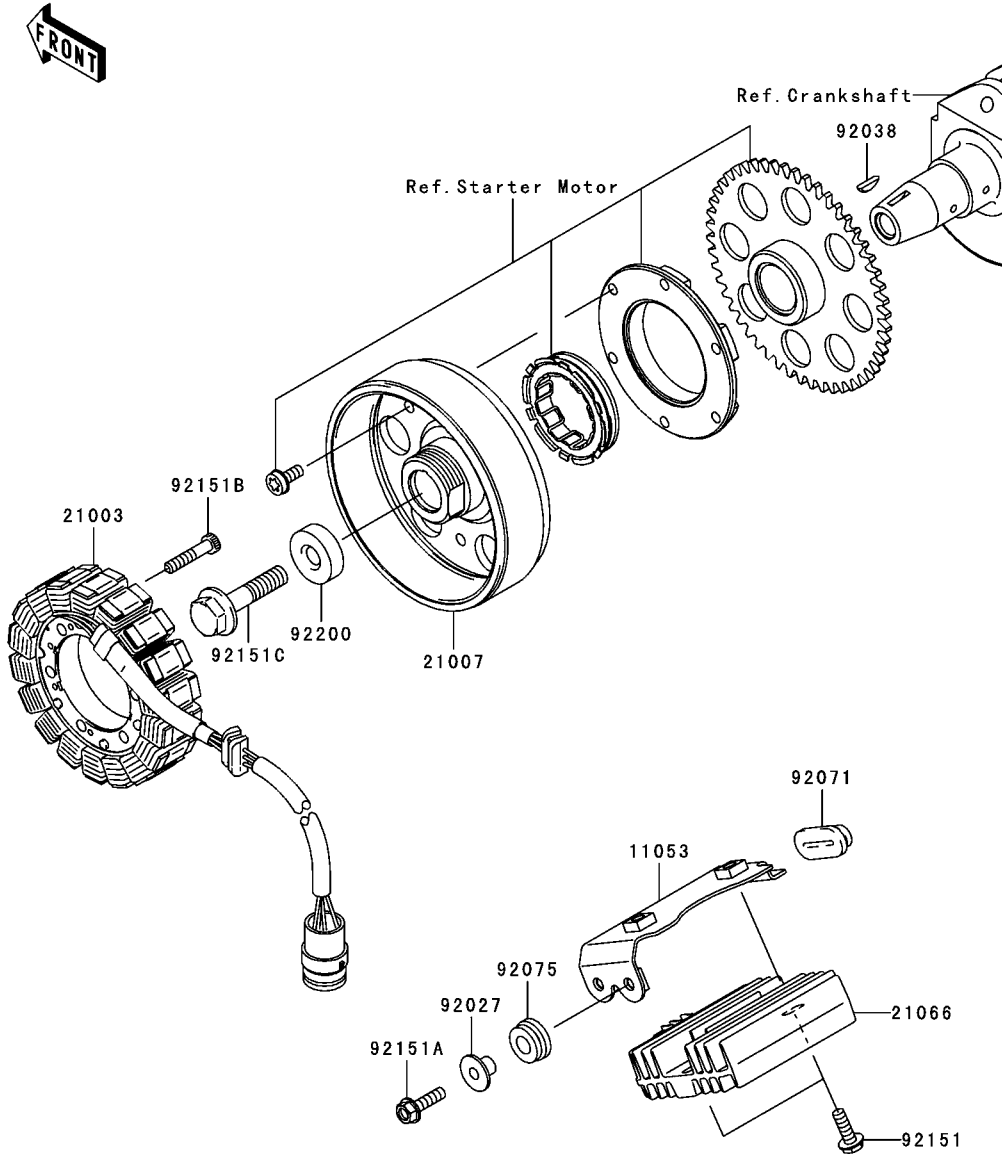
Ref. No.	Part No.	Description	Spec Code	Quantity-ZR750		
				'05		
				K1H		
13061	13061-1687	BOSS,CAM SENSOR				1
21007	21007-0005	ROTOR				1
21175	21175-0053	CONTROL UNIT-ELECTRONIC,IMMOBI				1
21176	21176-1077	SENSOR				1
21176A	21176-1118	SENSOR				2
21176B	21176-1120	SENSOR,WATER TEMP				1
21176C	21176-2106	SENSOR,AIR TEMP				1
27002	27002-1062	RELAY-ASSY				2
27010	27010-0007	SWITCH				1
53044	53044-0001	TRIM,L=30				1
55020	55020-0185	GUARD,ECU,UPP				1
55020A	55020-0187	GUARD,ECU,LWR				1
92043	92043-1575	PIN				1
92055	92055-1639	RING-O				1
92065	92065-097	GASKET,12X22X2				1
92150	92150-1645	BOLT,6X18				1
92151	92151-1774	BOLT,6X16				1
92153	92153-0377	BOLT,4X35				2
92153A	92153-0906	BOLT,6X12				4
92161	92161-0041	DAMPER				1
92161A	92161-0206	DAMPER				1
130	130J0616	BOLT-FLANGED,6X16,BLACK				1

E1710



Ref. No.	Part No.	Description	Spec Code	Quantity-ZR750	
				'05	K1H
13107	13107-0046	SHAFT,OIL PUMP		1	
13216	13216-1168	GEAR-COMP,OIL PUMP,37T		1	
13280	13280-0022	HOLDER		1	
16097	16097-0002	FILTER-ASSY-OIL		1	
16130	16130-1058	VALVE-ASSY-RELIEF		1	
16142	16142-1146	COVER-PUMP,OIL		1	
16142A	16142-1174	COVER-PUMP,WATER		1	
16154	16154-1124	ROTOR-PUMP		1	
16160	16160-1280	BODY,OIL PUMP		1	
49063	49063-1055	SEAL-MECHANICAL,WATER		1	
49065	49065-1078	FILTER-OIL		1	
59256	59256-1074	IMPELLER		1	
92002	92002-1154	BOLT,6X22		1	
92022	92022-077	WASHER,6.1X12X1		1	
92022A	92022-304	WASHER,6.2X11X1		1	
92037	92037-1679	CLAMP		1	
92042	92042-014	PIN,DOWEL,4X15.8		1	
92043	92043-1262	PIN,4.2X6X12		1	
92043A	92043-1263	PIN,6.2X8X14		2	
92049	92049-1336	SEAL-OIL,OIL PUMP		1	
92055	92055-1503	RING-O,OIL FILTER		1	
92055A	92055-1571	RING-O,WATER PUMP COVER		1	
92055B	92055-3018	RING-O,59.6X2.4		1	
92153	92153-0424	BOLT		1	
92153A	92153-0605	BOLT,6X12		1	
92153B	92153-0606	BOLT,6X50		1	
92153C	92153-0607	BOLT,6X60		2	
92200	92200-1009	WASHER		2	
480	480J1100	CIRCLIP-TYPE-C,11MM		1	
551	551A0408	PIN-DOWEL,4X8		2	
671	671B2565	O RING,65MM		1	

E1810

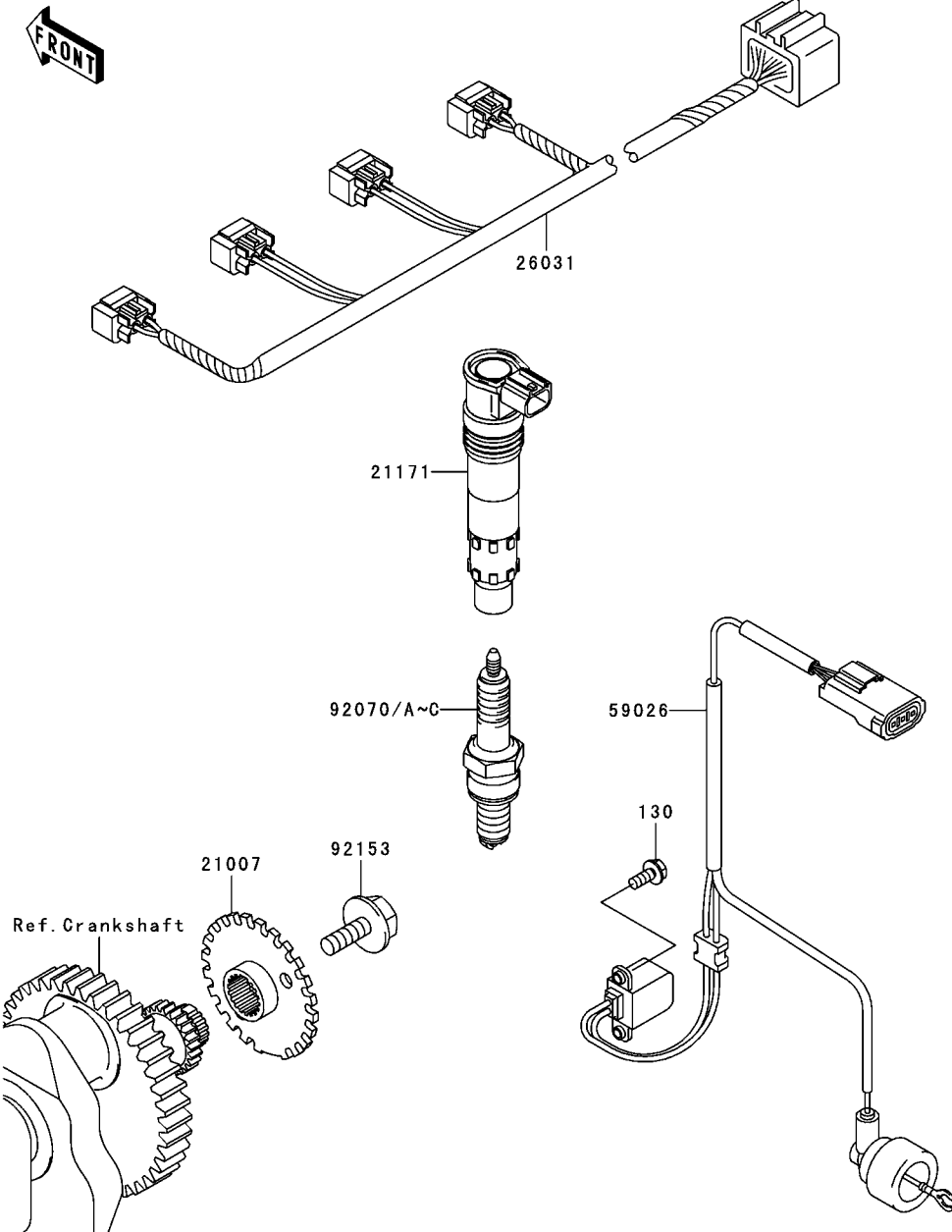


Ref. No.	Part No.	Description	Spec Code	Quantity-ZR750	
				'05	K1H
11053	11053-0210	BRACKET,REGULATOR		1	
21003	21003-0001	STATOR		1	
21007	21007-0021	ROTOR		1	
21066	21066-1127	REGULATOR-VOLTAGE		1	
92027	92027-1920	COLLAR,L=14.1		2	
92038	92038-1060	KEY		1	
92071	92071-1187	GROMMET		1	
92075	92075-1123	DAMPER,RUBBER		2	
92151	92151-1226	BOLT,6X20		2	
92151A	92151-1411	BOLT,6X22		2	
92151B	92151-1626	BOLT,6X30		4	
92151C	92151-1653	BOLT,10X40		1	
92200	92200-1241	WASHER		1	

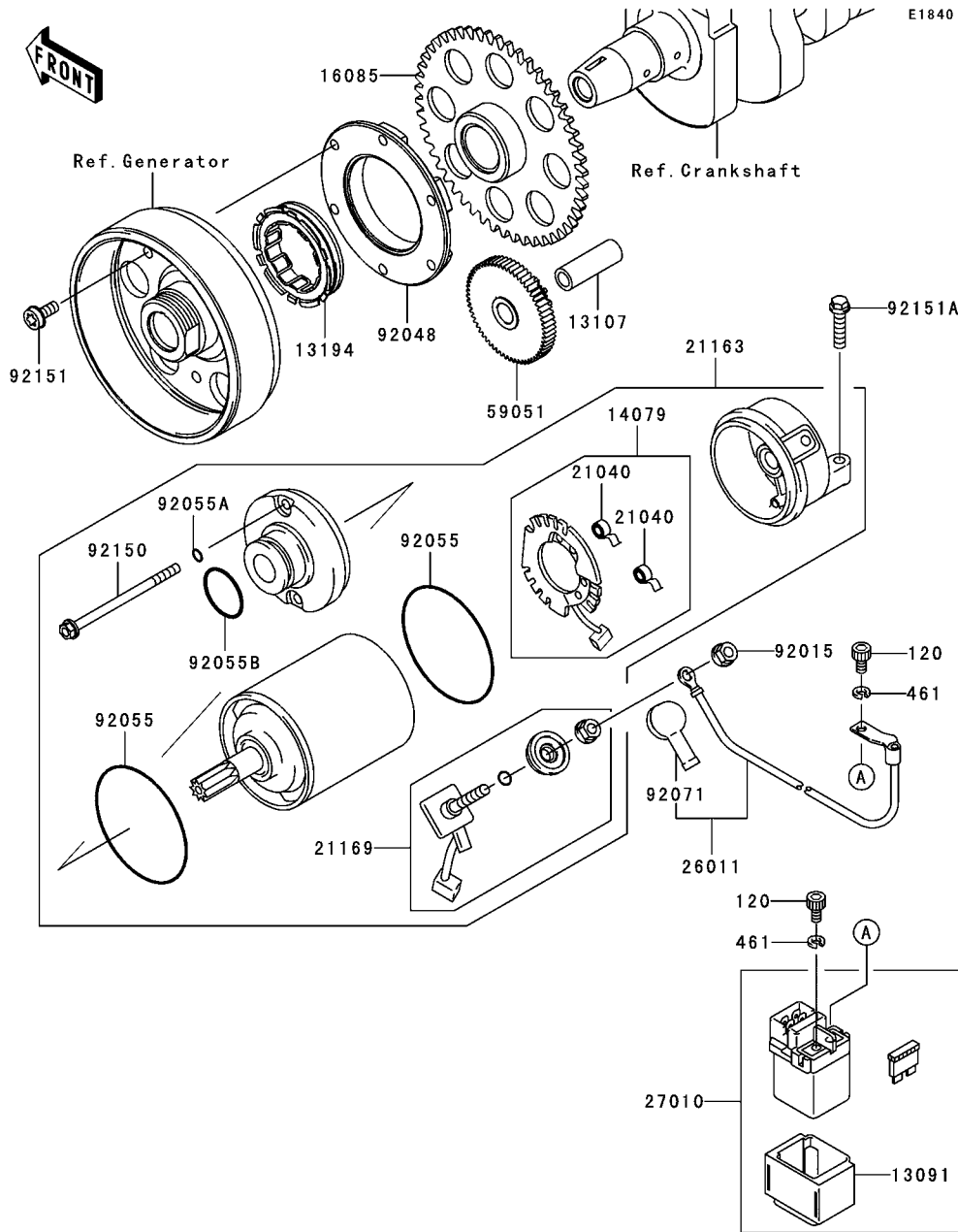
This catalog covers:
'05 ZR750-K1H Engine

GRID NO. **C-12** This grid covers:
Ignition System

E1830

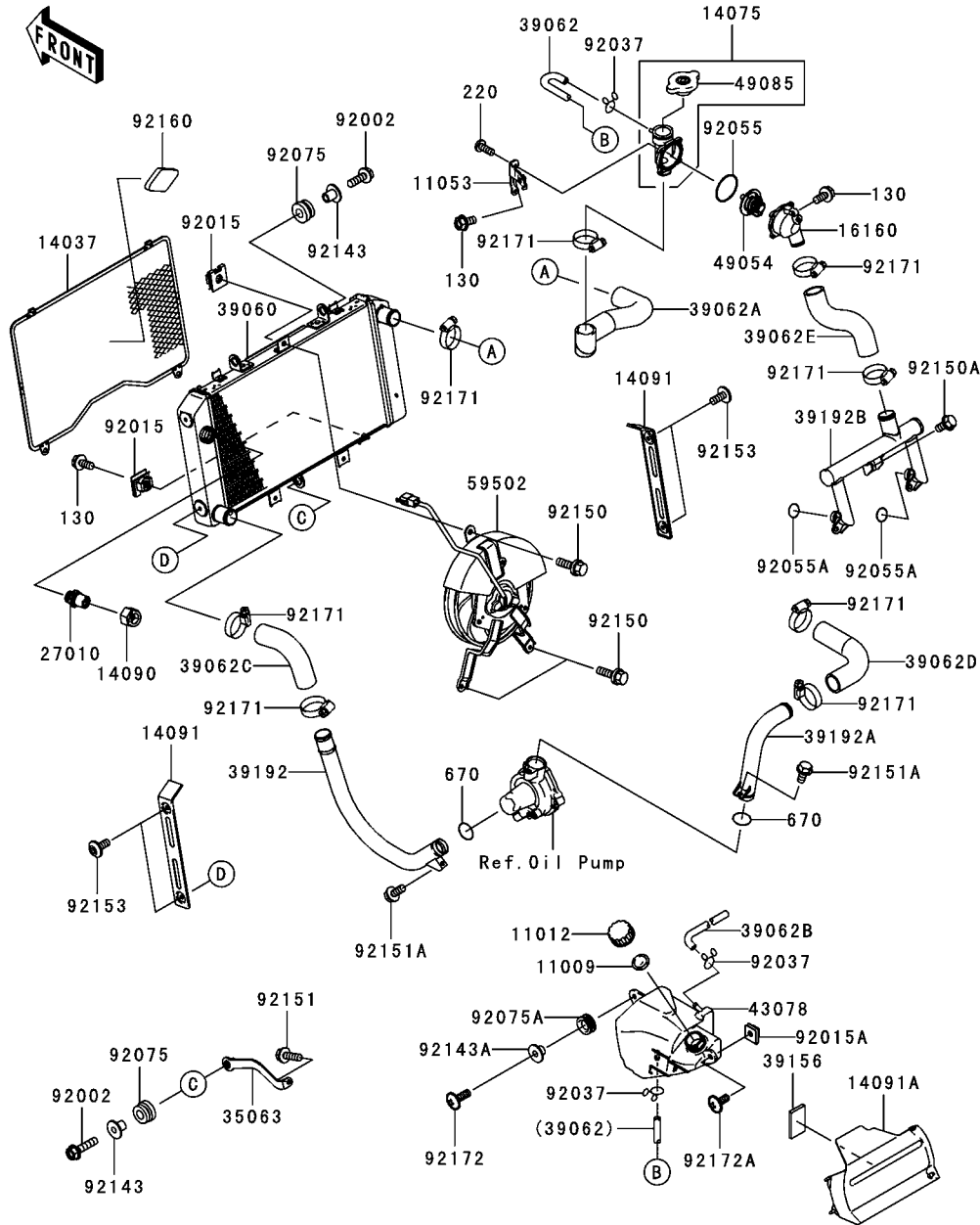


Ref. No.	Part No.	Description	Spec Code	Quantity-ZR750			
				'05			
21007	21007-1419	ROTOR					1
21171	21171-1286	COIL-ASSY-IGNITION					4
26031	26031-0119	HARNESS					1
59026	59026-0007	COIL-PULSING					1
92070		PLUG-SPARK,U27ETR(ND) (LOCAL PROCUREMENT ITEM)					4
92070A		PLUG-SPARK,U24ETR(ND) (LOCAL PROCUREMENT ITEM) (OPTION)					4
92070B	92070-1264	PLUG-SPARK,CR9EK(NGK)					4
92070C	92070-1265	PLUG-SPARK,CR8EK(NGK) (OPTION)					4
92153	92153-0549	BOLT,8X23					1
130	130G0512	BOLT-FLANGED					2



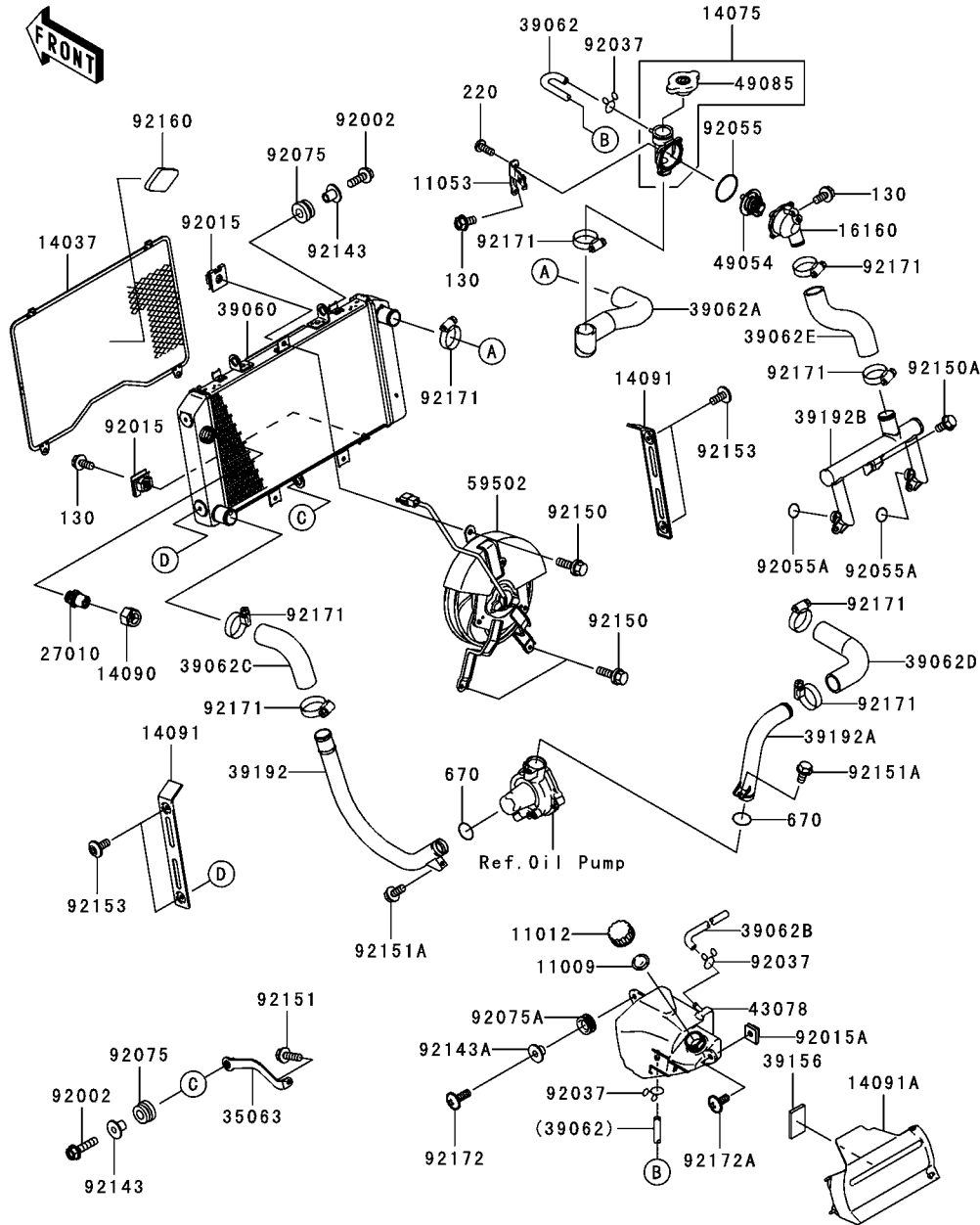
Ref. No.	Part No.	Description	Spec Code	Quantity-ZR750			
				'05			
				K1H			
13091	13091-1992	HOLDER					1
13107	13107-1377	SHAFT,IDLER GEAR					1
13194	13194-1096	CLUTCH-ONEWAY					1
14079	14079-0009	HOLDER-ASSY,STARTER					1
16085	16085-1303	GEAR,CLUTCH ONEWAY					1
21040	21040-0001	SPRING-BRUSH					2
21163	21163-0024	STARTER-ELECTRIC					1
21169	21169-1058	TERMINAL,STARTER					1
26011	26011-0015	WIRE-LEAD,STARTER					1
27010	27010-1376	SWITCH,MAGNETIC					1
59051	59051-0037	GEAR-SPUR,IDLER					1
92015	92015-1623	NUT					1
92048	92048-1114	RACE,CLUTCH ONEWAY					1
92055	92055-1260	RING-O,62MM					2
92055A	92055-1261	RING-O,4.5MM					2
92055B	92055-1262	RING-O,24.4X3.1					1
92071	92071-1120	GROMMET,STARTER TERMINAL					1
92150	92150-1237	BOLT					2
92151	92151-1335	BOLT,6X14					6
92151A	92151-1930	BOLT,FLANGED,M6X25					2
120	120S0510	BOLT-SOCKET					2
461	461K0500	WASHER-SPRING,5MM,BLACK					2

E3032



Ref. No.	Part No.	Description	Spec Code	Quantity-ZR750	
				'05	K1H
11009	11009-1145	GASKET,RESERVOIR TANK CAP		1	
11012	11012-1084	CAP		1	
11053	11053-1070	BRACKET,THERMOSTAT		1	
14037	14037-1315	SCREEN		1	
14075	14075-0001	CAP-ASSY		1	
14090	14090-1830	COVER		1	
14091	14091-0097	COVER,RADIATOR		2	
14091A	14091-1532	COVER		1	
16160	16160-0039	BODY,LWR		1	
27010	27010-1443	SWITCH		1	
35063	35063-0065	STAY,RADIATOR		1	
39060	39060-0007	RADIATOR		1	
39062	39062-0013	HOSE-COOLING,THERMO-RESERVOR		1	
39062A	39062-0045	HOSE-COOLING,THERMO-RADIATOR		1	
39062B	39062-1208	HOSE-COOLING,5.5X10.5X550		1	
39062C	39062-1851	HOSE-COOLING,FITTING		1	
39062D	39062-1914	HOSE-COOLING,PUMP-CYLINDER		1	
39062E	39062-1916	HOSE-COOLING,HEAD-THERMO		1	
39156	39156-0018	PAD		1	
39192	39192-0012	PIPE-WATER		1	
39192A	39192-0015	PIPE-WATER		1	
39192B	39192-1151	PIPE-WATER		1	
43078	43078-1187	RESERVOIR		1	
49054	49054-1067	THERMOSTAT		1	
49085	49085-1066	CAP-ASSY-PRESSURE		1	
59502	59502-0008	FAN-ASSY		1	
92002	92002-1086	BOLT,6X25		3	
92015	92015-1487	NUT		5	
92015A	92015-1531	NUT,CLAMP,6MM		1	
92037	92037-147	CLAMP,TUBE		3	
92055	92055-112	RING-O,53.5X2.6		1	
92055A	92055-1350	RING-O,18.54X2.6		2	
92075	92075-1123	DAMPER,RUBBER		3	
92075A	92075-1634	DAMPER		1	
92143	92143-1353	COLLAR		3	
92143A	92143-1962	COLLAR		1	
92150	92150-1186	BOLT,6X12		3	
92150A	92150-1841	BOLT,6X12		3	
92151	92151-1774	BOLT,6X16		1	
92151A	92151-1997	BOLT,6X12		2	

E3032



Ref. No.	Part No.	Description	Spec Code	Quantity-ZR750		
				'05		
				K1H		
92153	92153-0603	BOLT,6X14				4
92160	92160-1863	DAMPER				1
92171	92171-0179	CLAMP				8
92172	92172-0002	SCREW,6X18				1
92172A	92172-0004	SCREW,6X14				1
130	130J0612	BOLT-FLANGED				4
220	220D0514	SCREW-PAN-CROS,5X14				4
670	670B2021	O RING,21MM				2

This catalog covers:

'05 ZR750-K1H Chassis

GRID NO.

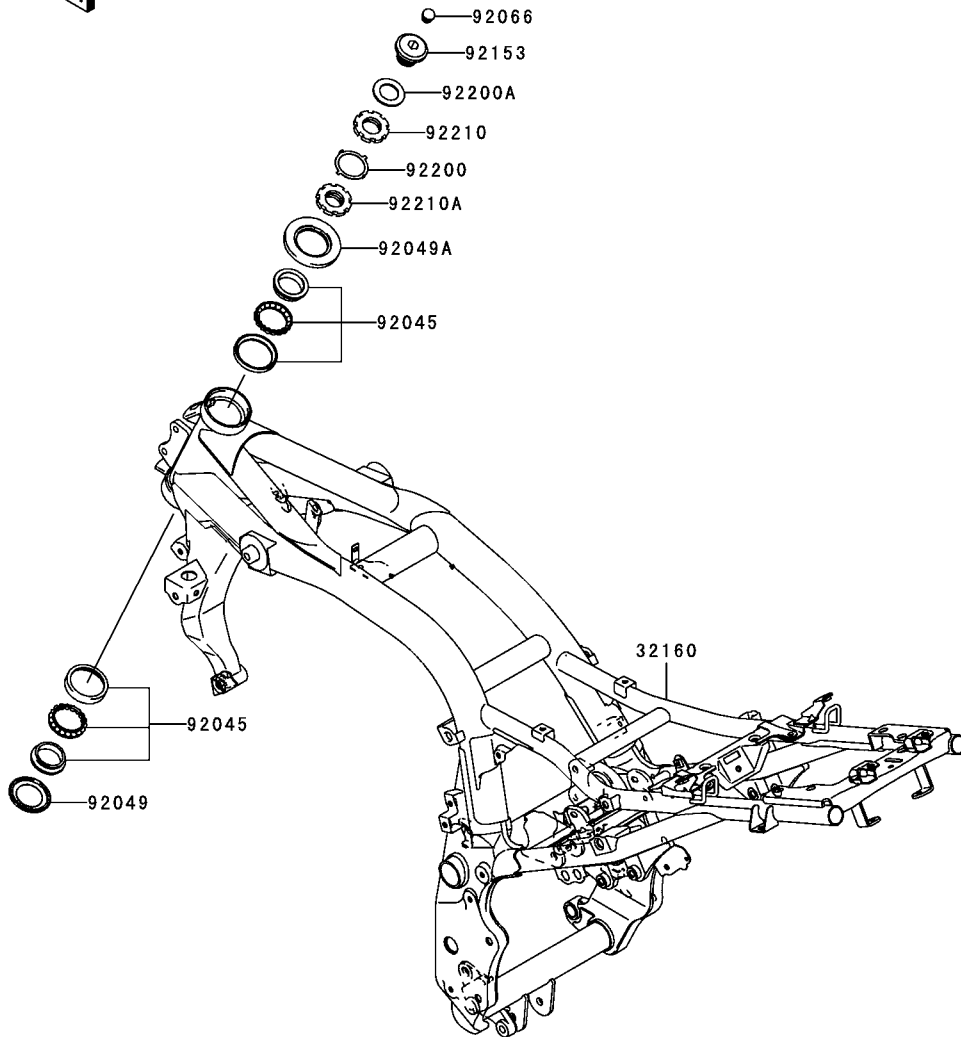
E-3

This grid covers:

Frame

F2120

Ref. No.	Part No.	Description	Spec Code	Quantity-ZR750			
				'05			
				K1H			
32160	32160-0089	FRAME-COMP					1
92045	92045-1384	BEARING-BALL,SF07A17PX1V1					2
92049	92049-0022	SEAL-OIL,DS35X55X4					1
92049A	92049-1483	SEAL-OIL,MX043N2					1
92066	92066-1184	PLUG					1
92153	92153-0474	BOLT,26MM					1
92200	92200-0036	WASHER					1
92200A	92200-0081	WASHER,27X42X2.3					1
92210	92210-0062	NUT,STEERING STEM 35MM					1
92210A	92210-0077	NUT,STEERING STEM,35MM					1



This catalog covers:

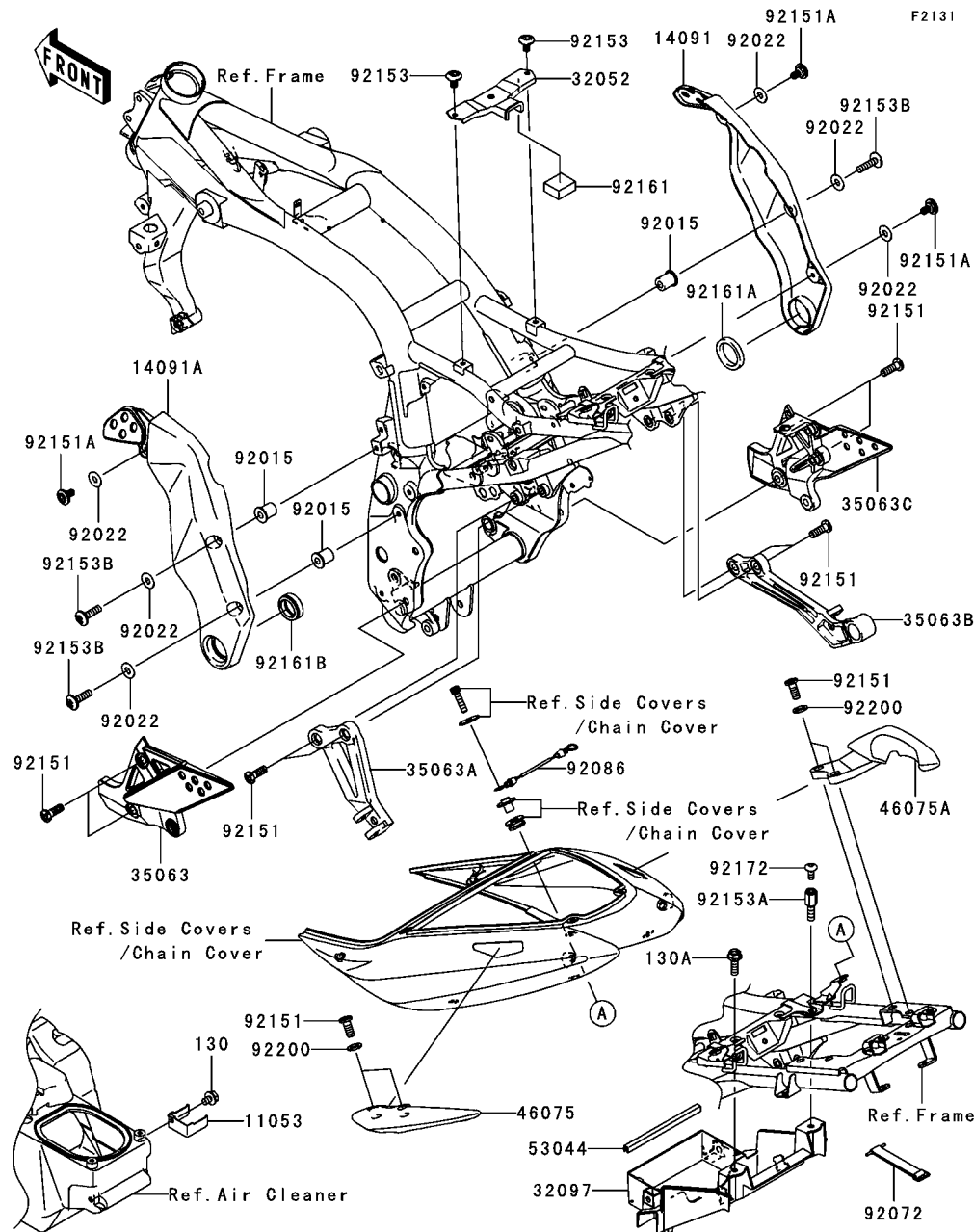
'05 ZR750-K1H Chassis

GRID NO.

E-5

This grid covers:

Frame Fittings



Ref. No.	Part No.	Description	Spec Code	Quantity-ZR750	
				'05	K1H
11053	11053-0138	BRACKET,MAGNETIC SWITCH			1
14091	14091-0234-4P	COVER,PIVOT,RH,M.F.GRAYSTONE			1
14091A	14091-0283-4P	COVER,PIVOT,LH,M.F.GRAYSTONE			1
32052	32052-1597	BRACKET-TANK,FUEL			1
32097	32097-0010	CASE-BATTERY			1
35063	35063-0034	STAY,STEP HOLDER,LH			1
35063A	35063-0062-458	STAY,RR,LH,P,SILVER			1
35063B	35063-0063-458	STAY,RR,RH,P,SILVER			1
35063C	35063-0172	STAY,STEP HOLDER,RH			1
46075	46075-0031	GRIP,TAIL,LH			1
46075A	46075-0032	GRIP,TAIL,RH			1
53044	53044-1303	TRIM,L=150			1
92015	92015-1700	NUT			3
92022	92022-1143	WASHER,6.5X16X1			6
92072	92072-1349	BAND,TOOL			1
92086	92086-1075	WIRE,L=150			1
92151	92151-1372	BOLT,SOCKET,10X30			12
92151A	92151-1654	BOLT,SOCKET,6X14			3
92153	92153-0410	BOLT,SOCKET,6X10			2
92153A	92153-0966	BOLT,6MM			1
92153B	92153-1267	BOLT,SOCKET,6X23			3
92161	92161-0063	DAMPER			1
92161A	92161-0148	DAMPER			1
92161B	92161-0211	DAMPER			1
92172	92172-0170	SCREW,5MM			1
92200	92200-0088	WASHER,10.5X26X2.3			4
130	130J0608	BOLT-FLANGED,6X8			1
130A	130J0620	BOLT-FLANGED			1

This catalog covers:

'05 ZR750-K1H Chassis

GRID NO.

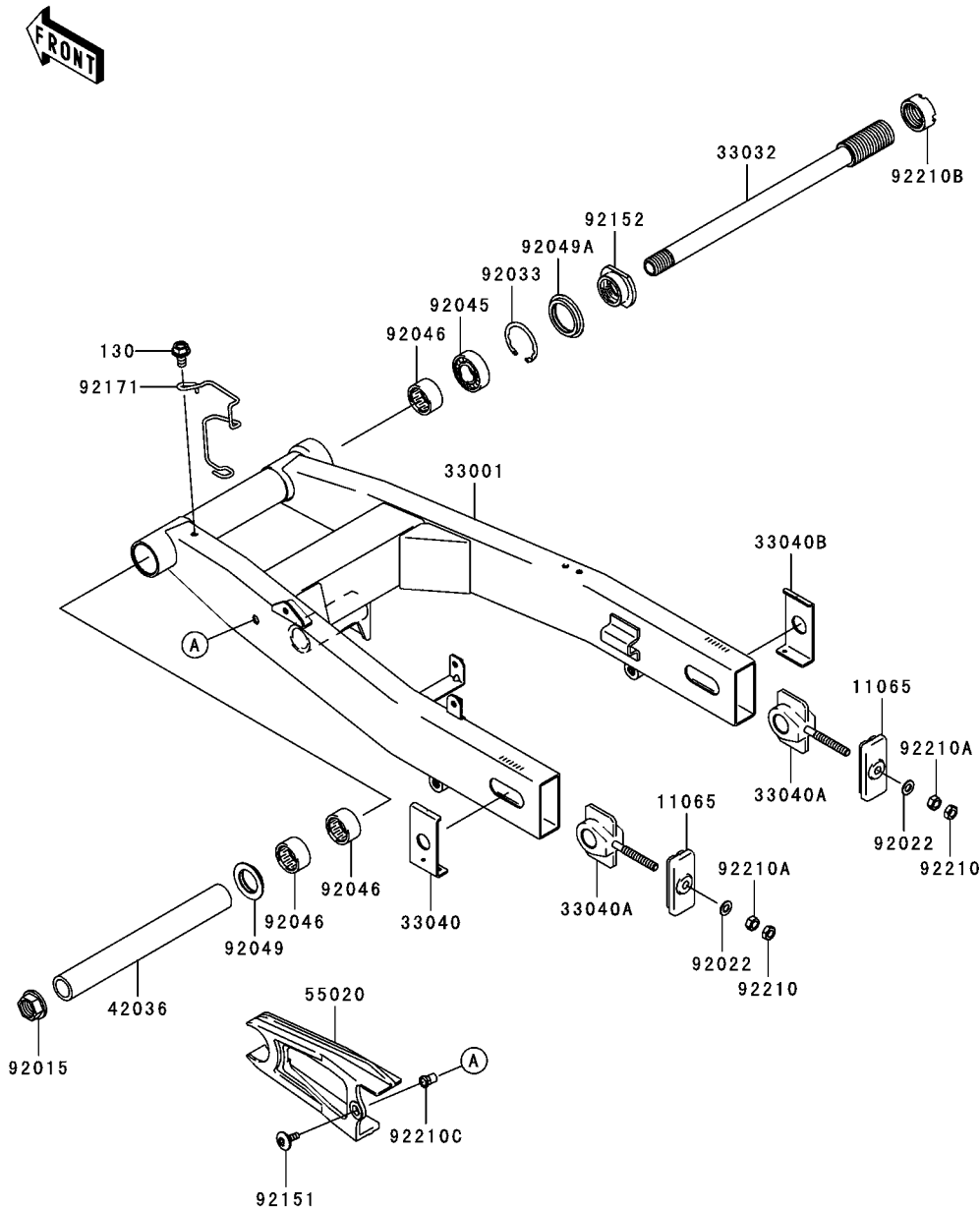
E-6

This grid covers:

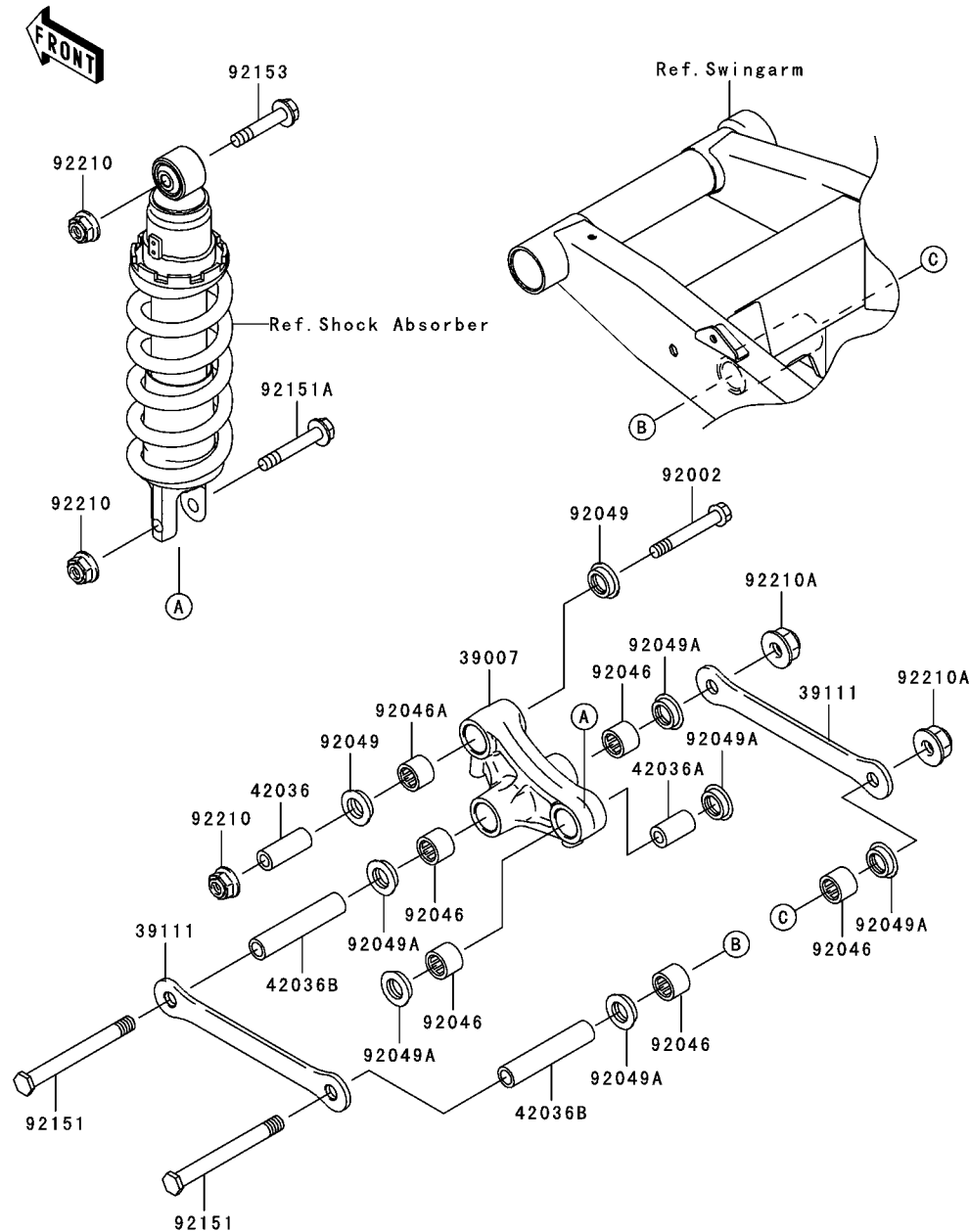
Swingarm

F2141

Ref. No.	Part No.	Description	Spec Code	Quantity-ZR750			
				'05			
				K1H			
11065	11065-0055	CAP,CHAIN ADJUSTER					2
33001	33001-0051	ARM-COMP-SWING					1
33032	33032-0005	SHAFT-SWING ARM					1
33040	33040-0009	ADJUSTER-CHAIN,OUTER,LH					1
33040A	33040-0012	ADJUSTER-CHAIN,INNER					2
33040B	33040-1143	ADJUSTER-CHAIN,OUTER,RH					1
42036	42036-1264	SLEEVE,SWING ARM,L=237					1
55020	55020-0061	GUARD,CHAIN					1
92015	92015-1724	NUT,FLANGED,20MM					1
92022	92022-1582	WASHER,8.5X16X1.2					2
92033	92033-1041	RING-SNAP,42MM					1
92045	92045-0017	BEARING-BALL,6004UL11					1
92046	92046-0008	BEARING-NEEDLE,7E-HVS 28X34X17					3
92049	92049-1181	SEAL-OIL					1
92049A	92049-1380	SEAL-OIL,MHA 35 42 5.7F					1
92151	92151-1149	BOLT,SOCKET,6X18					1
92152	92152-0136	COLLAR,SWING ARM PIVOT,RH					1
92171	92171-0141	CLAMP					1
92210	92210-0116	NUT,8MM					2
92210A	92210-0117	NUT,8MM					2
92210B	92210-1347	NUT,M28X1.0					1
92210C	92210-1397	NUT,POP,6MM,L=15					1
130	130L0612	BOLT-FLANGED					1



F2150



Ref. No.	Part No.	Description	Spec Code	Quantity-ZR750			
				'05			
				K1H			
39007	39007-0006	ARM-SUSP,UNI TRAK					1
39111	39111-0017	ROD-TIE,SUSPENSION					2
42036	42036-1342	SLEEVE,10.1X17X44.5					1
42036A	42036-1344	SLEEVE,10.1X18X32					1
42036B	42036-1360	SLEEVE,12.1X18X90					2
92002	92002-1183	BOLT,10X70					1
92046	92046-1272	BEARING-NEEDLE,SFYZM182417					5
92046A	92046-1273	BEARING-NEEDLE,SFYZM172425					1
92049	92049-1223	SEAL-OIL,MHA17245.7F					2
92049A	92049-1493	SEAL-OIL,KCR MF018N1					6
92151	92151-1318	BOLT,12X114					2
92151A	92151-1601	BOLT,FLANGED,10X62					1
92153	92153-0343	BOLT,FLANGED,10X53					1
92210	92210-1139	NUT,LOCK,FLANGED,10MM					3
92210A	92210-1150	NUT,LOCK,FLANGED,12MM					2

This catalog covers:

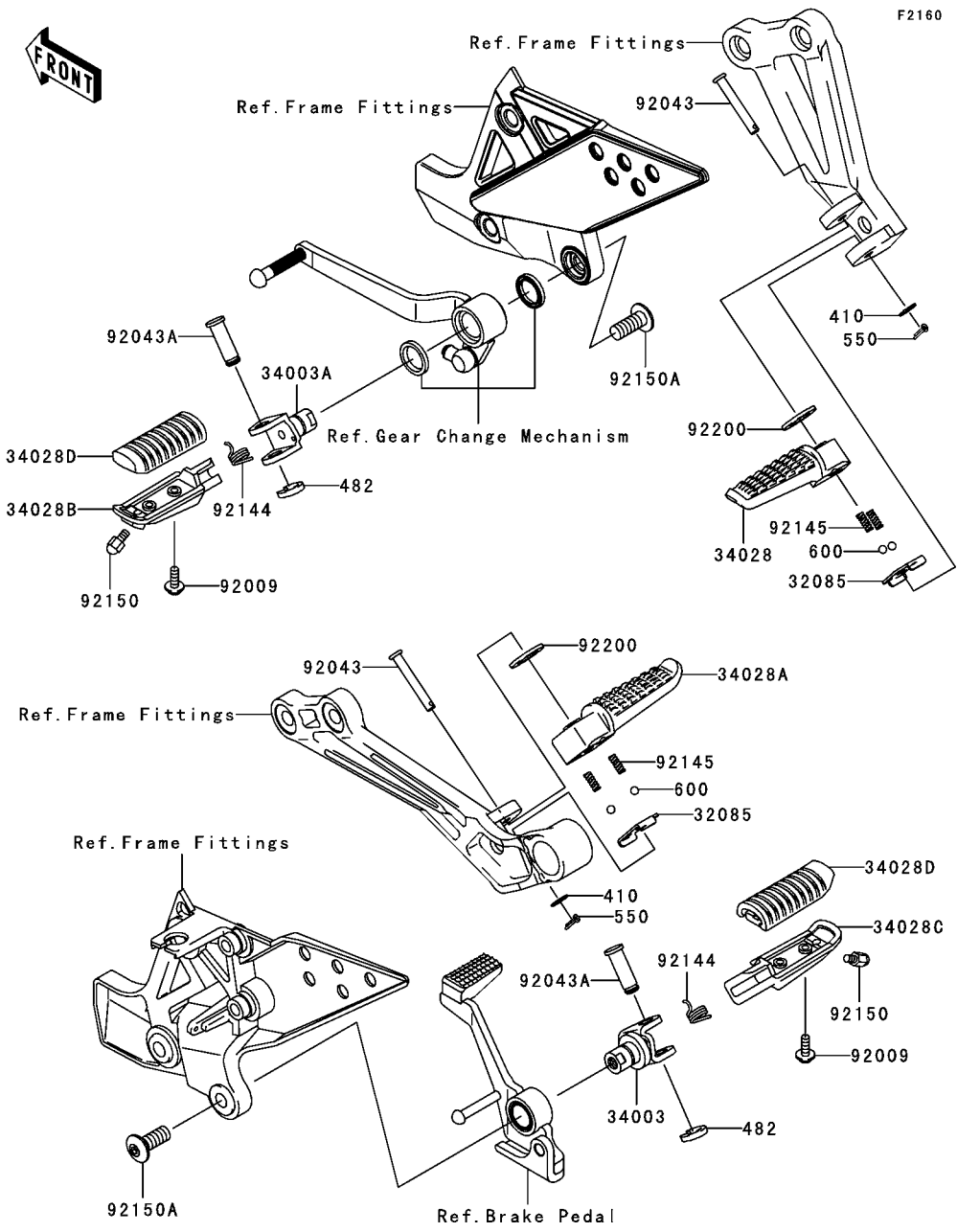
'05 ZR750-K1H Chassis

GRID NO.

E-8

This grid covers:

Footrests



Ref. No.	Part No.	Description	Spec Code	Quantity-ZR750			
				'05			
				K1H			
32085	32085-0047	STOPPER,REAR STEP					2
34003	34003-0025	HOLDER-STEP,FR,RH					1
34003A	34003-1474	HOLDER-STEP,FR,LH					1
34028	34028-0004	STEP,RR,LH					1
34028A	34028-0005	STEP,RR,RH					1
34028B	34028-1428	STEP,FR,LH					1
34028C	34028-1429	STEP,FR,RH					1
34028D	34028-1430	STEP,FR,RUBBER					2
92009	92009-1404	SCREW,5X14					4
92043	92043-0019	PIN,6X43					2
92043A	92043-1641	PIN,12X37					2
92144	92144-1567	SPRING,STEP RETURN					2
92145	92145-1319	SPRING					4
92150	92150-1114	BOLT,BANK SENSOR					2
92150A	92150-1268	BOLT,SOCKET,10X25					2
92200	92200-0043	WASHER,16X26X2.3					2
410	410B0600	WASHER-PLAIN-SMALL,6MM					2
482	482L0100	CIRCLIP-TYPE-E,10MM					2
550	550D2512	PIN-COTTER					2
600	600A0800	BALL-STEEL,1/4"					4

This catalog covers:

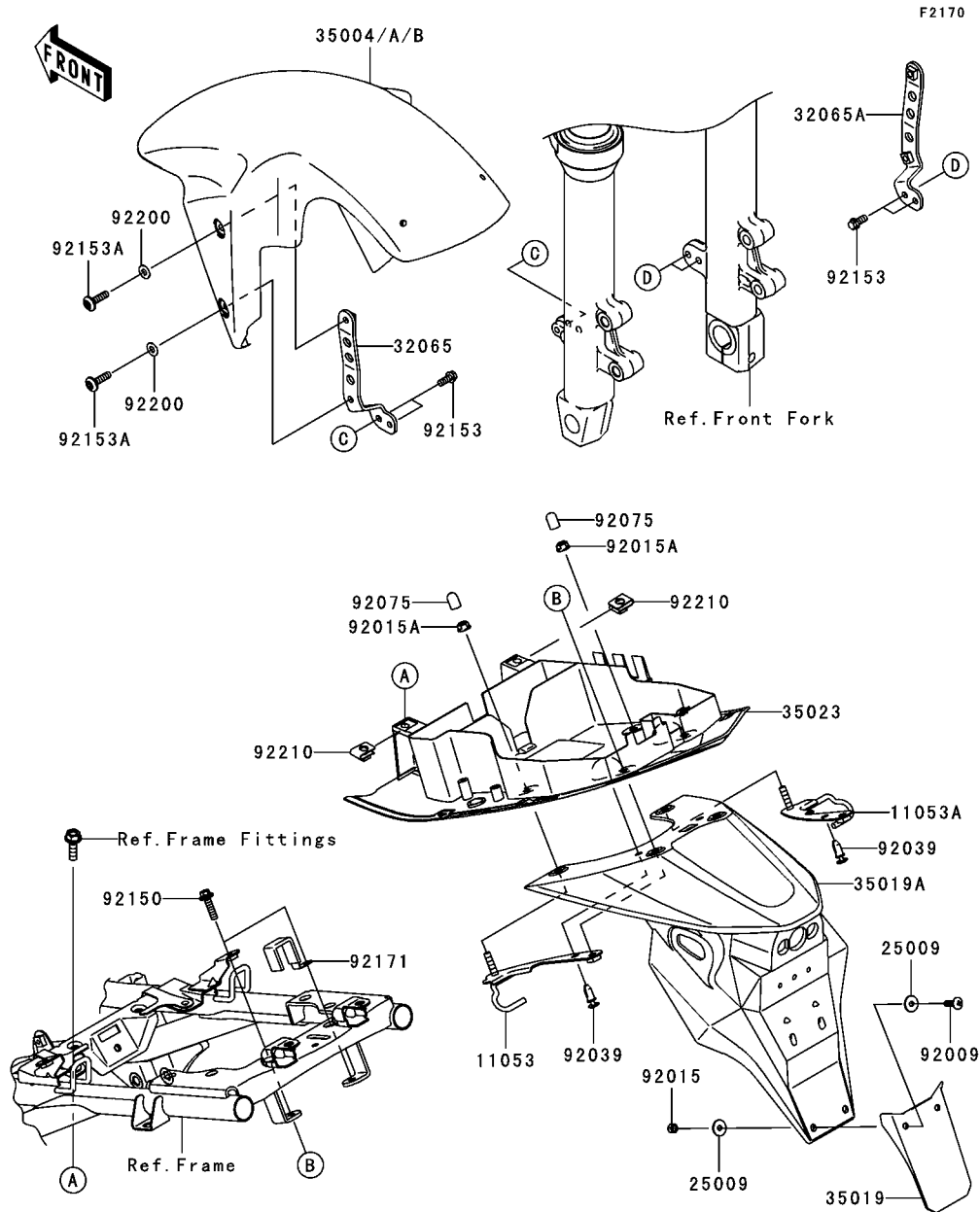
'05 ZR750-K1H Chassis

GRID NO.

E-9

This grid covers:

Fenders

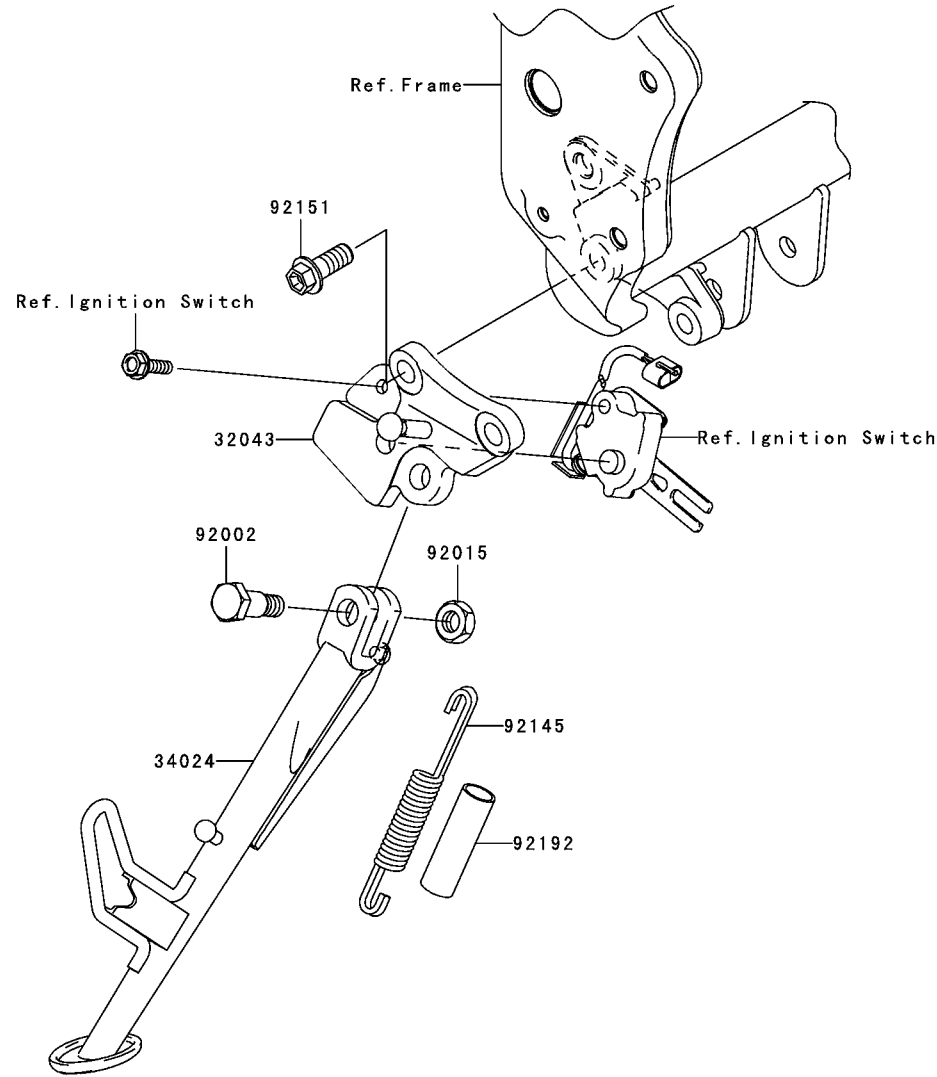


F2170

Ref. No.	Part No.	Description	Spec Code	Quantity-ZR750	
				'05	K1H
11053	11053-1144	BRACKET,FLAP,LH		1	
11053A	11053-1150	BRACKET,FLAP,RH		1	
25009	25009-004	WASHER,5.2X16X1.2		4	
32065	32065-0002	BRACKET-FENDER,LH		1	
32065A	32065-0003	BRACKET-FENDER,RH		1	
35004	35004-0024-660	FENDER-FRONT,M.S.BLACK		1	
35004A	35004-0024-723	FENDER-FRONT,C.P.BLUE		1	
35004B	35004-0024-724	FENDER-FRONT,P.M.RED		1	
35019	35019-0006	FLAP		1	
35019A	35019-0007	FLAP,REAR FENDER		1	
35023	35023-0044	FENDER-REAR		1	
92009	92009-1653	SCREW,5X14		2	
92015	92015-1221	NUT,LOCK,5MM		2	
92015A	92015-1603	NUT,LOCK,FLANGED,6MM		2	
92039	92039-1286	RIVET		2	
92075	92075-1964	DAMPER,SIDE COVER		2	
92150	92150-1829	BOLT,6X25		2	
92153	92153-0589	BOLT,FLANGED,6X14		4	
92153A	92153-1267	BOLT,SOCKET,6X23		4	
92171	92171-0488	CLAMP		1	
92200	92200-1388	WASHER,6.5X14X1		4	
92210	92210-0130	NUT		2	

This catalog covers:
'05 ZR750-K1H Chassis

GRID NO. This grid covers:
E-10 Stand(s)



F2190

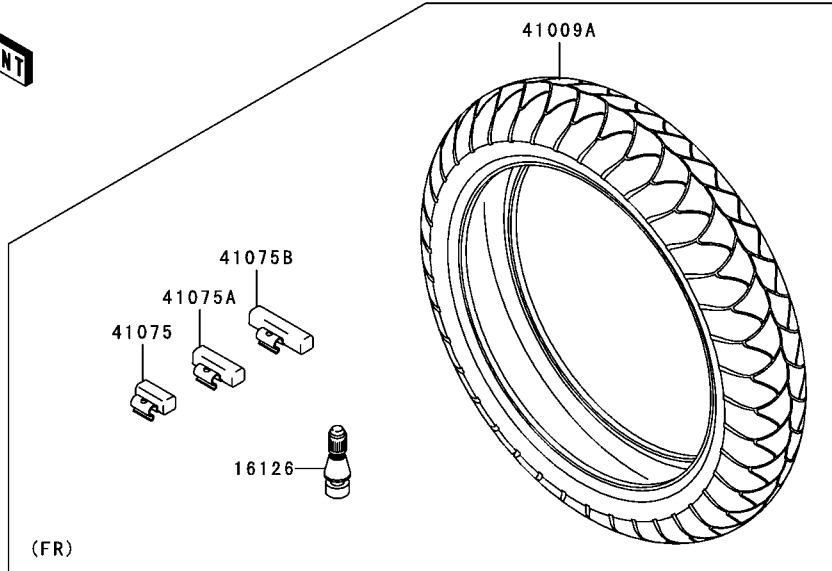
Ref. No.	Part No.	Description	Spec Code	Quantity-ZR750		
				'05		
32043	32043-0025	BRACKET-STAND,SIDE				1
34024	34024-0008	STAND-SIDE				1
92002	92002-1935	BOLT,SIDE STAND				1
92015	92015-1188	NUT,LOCK,10MM,BLACK				1
92145	92145-0085	SPRING,SIDE STAND				1
92151	92151-1802	BOLT,FLANGED,10X25				2
92192	92192-0080	TUBE,13X16X60				1

This catalog covers:

'05 ZR750-K1H Chassis

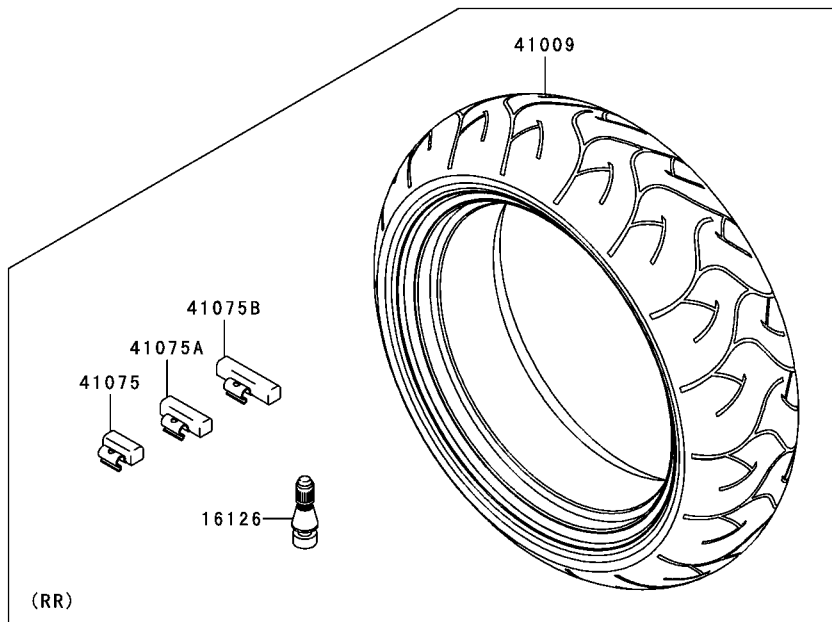
GRID NO. This grid covers:

E-11 Tires



F2210

Ref. No.	Part No.	Description	Spec Code	Quantity-ZR750			
				'05			
				K1H			
16126	16126-1140	VALVE,TIRE					2
41009	41009-0018	TIRE,RR,180/55ZR17(73W),BT012R					1
41009A	41009-0082	TIRE,FR,120/70ZR17(58W),BT019F					1
41075	41075-0007	BALANCER-WHEEL,10G,SILVER					AR
41075A	41075-0008	BALANCER-WHEEL,20G,SILVER					AR
41075B	41075-0009	BALANCER-WHEEL,30G,SILVER					AR



This catalog covers:

'05 ZR750-K1H Chassis

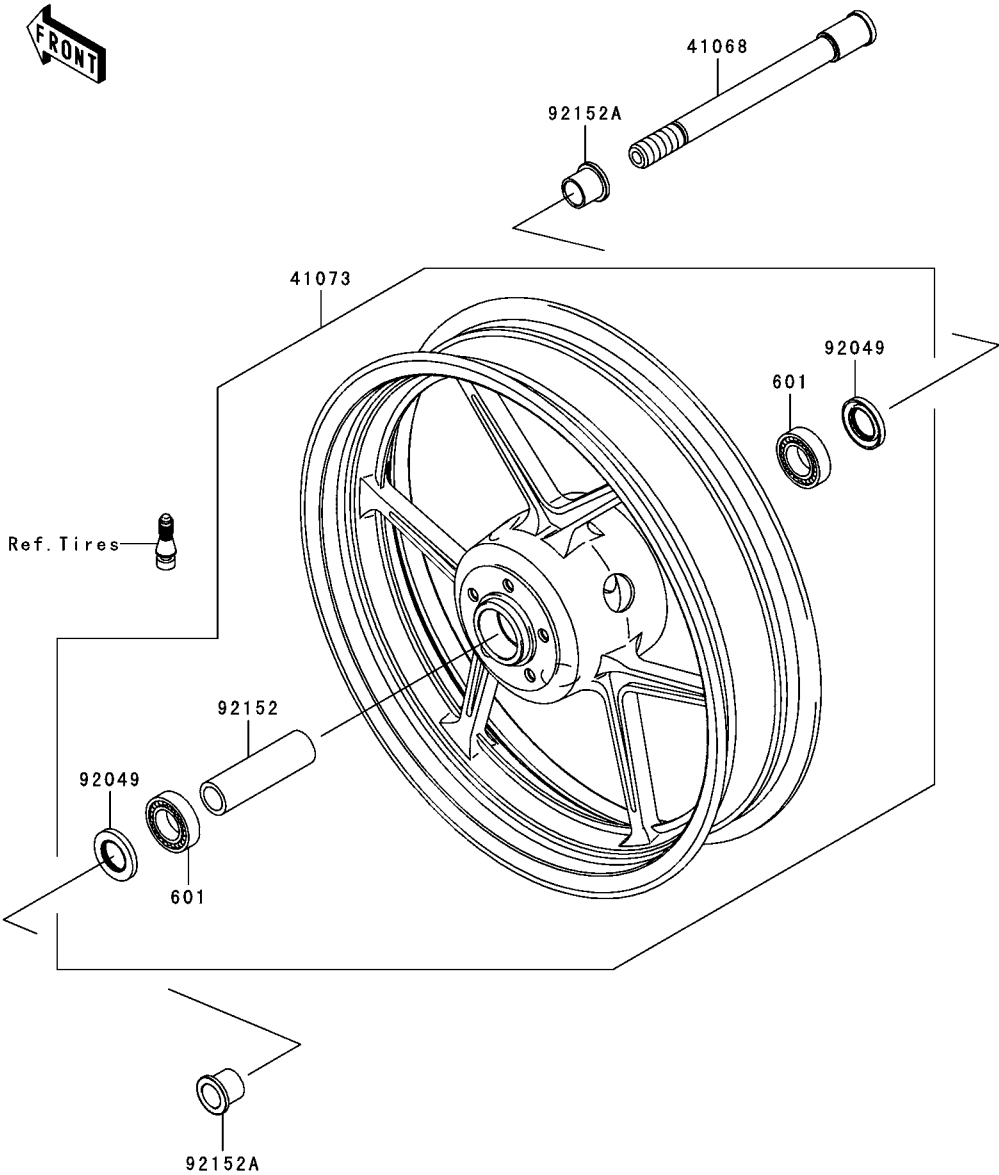
GRID NO.

E-12

This grid covers:

Front Hub

F2230



Ref. No.	Part No.	Description	Spec Code	Quantity-ZR750	
				'05	K1H
41068	41068-0038	AXLE,FR			1
41073	41073-0015-2A	WHEEL-ASSY,FR,GRAYSTONE			1
92049	92049-1203	SEAL-OIL,BJNC2 25425			2
92152	92152-0068	COLLAR,FR HUB,L=98			1
92152A	92152-0069	COLLAR,FR AXLE,L=24			2
601	601B6004UU	BEARING-BALL,#6004UUC3			2

This catalog covers:

'05 ZR750-K1H Chassis

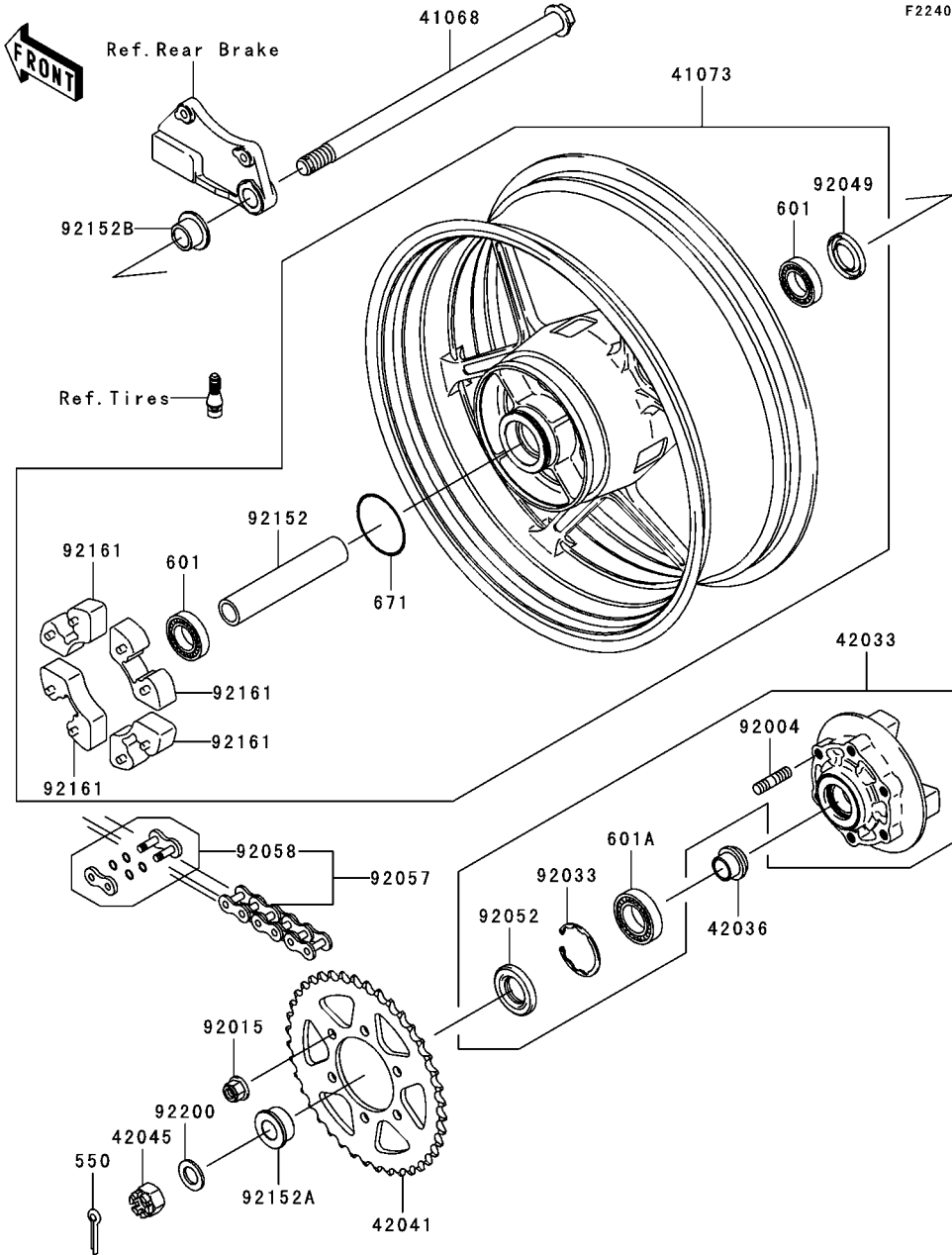
GRID NO.

E-13

This grid covers:

Rear Hub

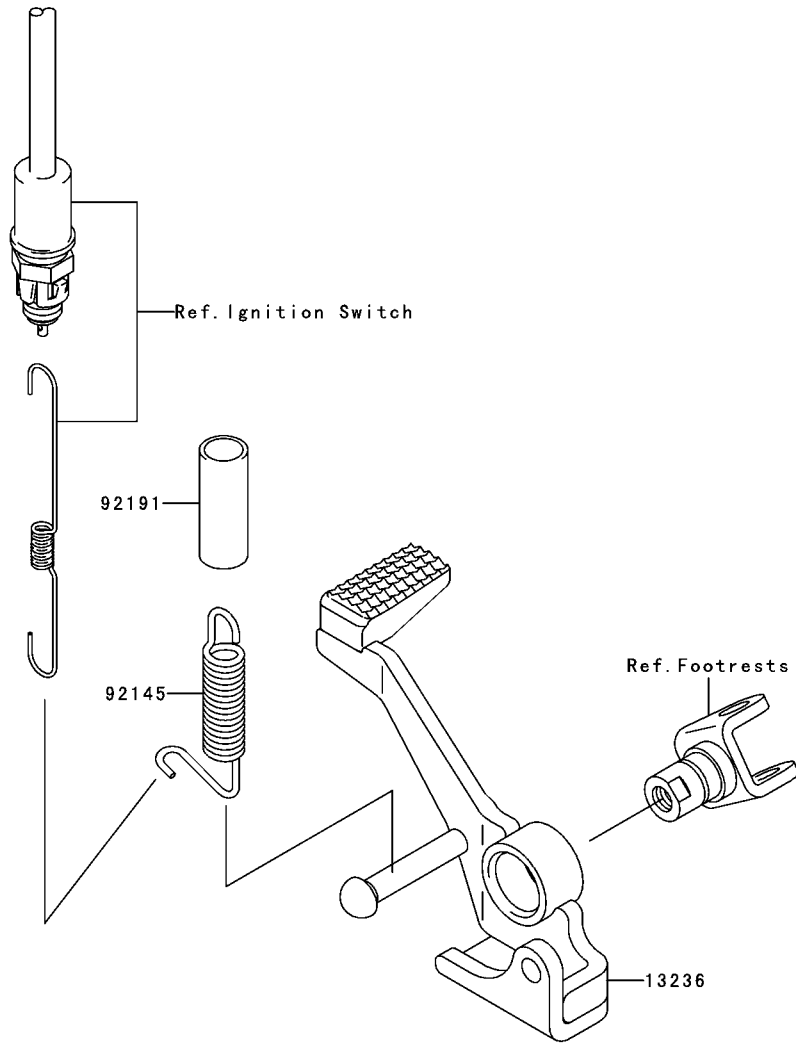
F2240



Ref. No.	Part No.	Description	Spec Code	Quantity-ZR750	
				'05	K1H
41068	41068-0023	AXLE,RR			1
41073	41073-0009-2A	WHEEL-ASSY,RR,GRAYSTONE			1
42033	42033-0003	COUPLING-ASSY,RR HUB			1
42036	42036-1251	SLEEVE,RR HUB,L=23			1
42041	42041-0010	SPROCKET-HUB,43T			1
42045	42045-018	NUT,CASTLE,18MM			1
92004	92004-1275	STUD,10X19			6
92015	92015-1335	NUT,FLANGED,10MM			6
92033	92033-1043	RING-SNAP,52MM			1
92049	92049-1056	SEAL-OIL,BJN28475			1
92052	92052-006	SEAL-OIL,TWC35527			1
92057	92057-0079	CHAIN,DRIVE,EK520MVXLX112L			1
92058	92058-0002	JOINT-CHAIN,DRIVE			1
92152	92152-0070	COLLAR,RR HUB,L=150			1
92152A	92152-0118	COLLAR,RR AXLE,LH,L=18			1
92152B	92152-1162	COLLAR,RR AXLE,RH,L=20			1
92161	92161-0058	DAMPER,SHOCK,RR HUB			4
92200	92200-1489	WASHER,19X32X2.6			1
550	550D4035	PIN-COTTER,4.0X35			1
601	601B6204UU	BEARING-BALL,6204UUC3			2
601A	601B6205UU	BEARING-BALL			1
671	671B2560	O RING,60MM			1

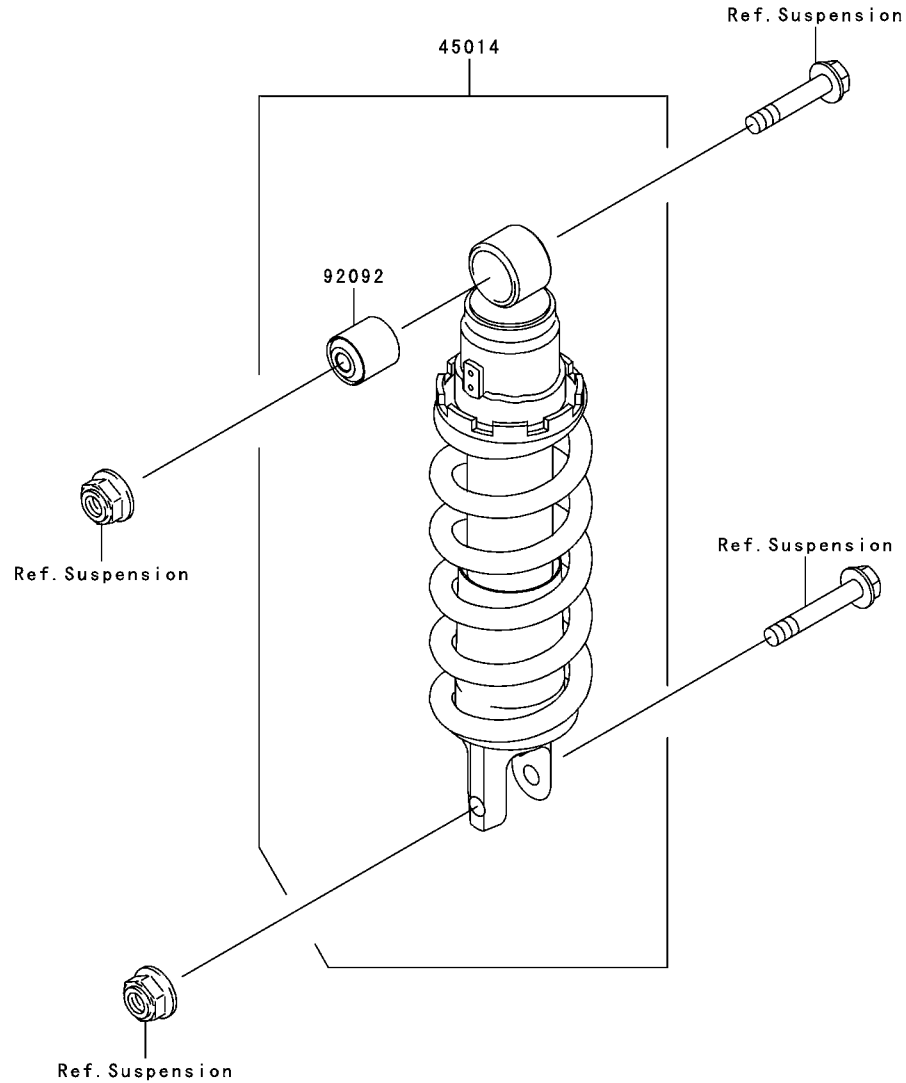
F2260

Ref. No.	Part No.	Description	Spec Code	Quantity-ZR750			
				'05			
13236	13236-0074	LEVER-COMP,BRAKE PEDAL					1
92145	92145-1090	SPRING,BRAKE PEDAL RETURN					1
92191	92191-1739	TUBE,12X15X40					1



F2280

Ref. No.	Part No.	Description	Spec Code	Quantity-ZR750			
				'05			
45014	45014-0080	SHOCKABSORBER					1
92092	92092-1058	BUSHING-RUBBER					1



This catalog covers:

'05 ZR750-K1H Chassis

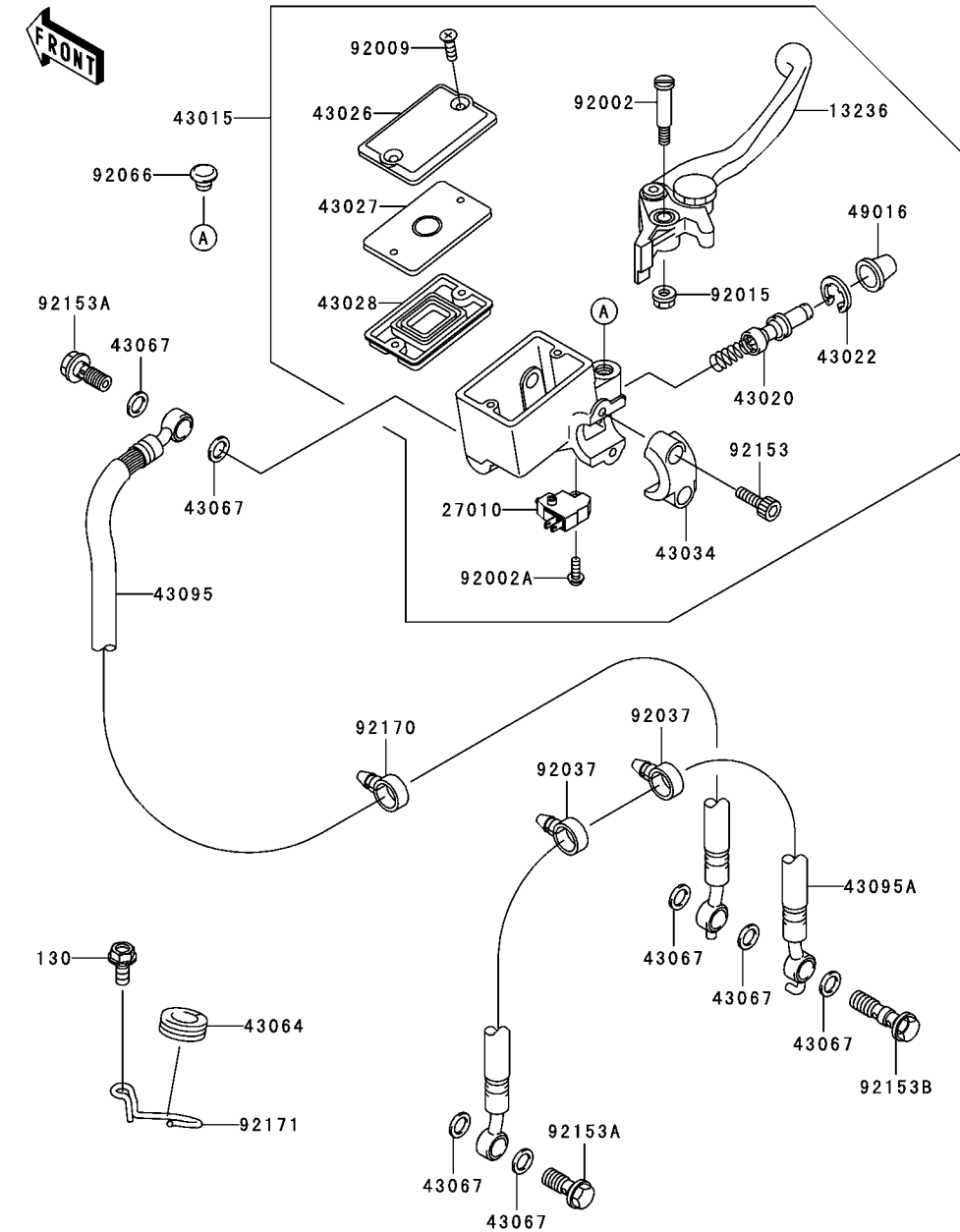
GRID NO.

F-4

This grid covers:

Front Master Cylinder

F2291



Ref. No.	Part No.	Description	Spec Code	Quantity-ZR750			
				'05			
				K1H			
13236	13236-1337	LEVER-COMP,FRONT BRAKE					1
27010	27010-0025	SWITCH,BRAKE					1
43015	43015-0011	CYLINDER-ASSY-MASTER,FR					1
43020	43020-1054	PISTON-COMP-BRAKE,FR					1
43022	43022-1010	STOPPER-BRAKE,PISTON					1
43026	43026-1076	CAP-BRAKE					1
43027	43027-1055	PLATE-DIAPHRAGM					1
43028	43028-1058	DIAPHRAGM,MASTER CYLINDER					1
43034	43034-1053	HOLDER-BRAKE,MASTER CYLINDER					1
43064	43064-007	GROMMET,HOSE CLAMP					1
43067	43067-001	WASHER,10.5X15X1.5					7
43095	43095-0079	HOSE-BRAKE,FR					1
43095A	43095-0116	HOSE-BRAKE,FR					1
49016	49016-1044	COVER-SEAL,MASTER CYLINDER					1
92002	92002-1322	BOLT,LEVER SET,BLACK					1
92002A	92002-1323	BOLT,SCREW,4X12					1
92009	92009-1458	SCREW,4MM					2
92015	92015-1233	NUT,FLANGED,6MM,BLACK					1
92037	92037-1827	CLAMP,HOSE					2
92066	92066-1077	PLUG,9.5X8,POLYETHYLENE					1
92153	92153-0417	BOLT,SOCKET,6X20					2
92153A	92153-0627	BOLT,OIL,L=23					2
92153B	92153-0628	BOLT,OIL,L=37					1
92170	92170-1067	CLAMP					1
92171	92171-0303	CLAMP,BRAKE HOSE					1
130	130L0614	BOLT-FLANGED					1

This catalog covers:

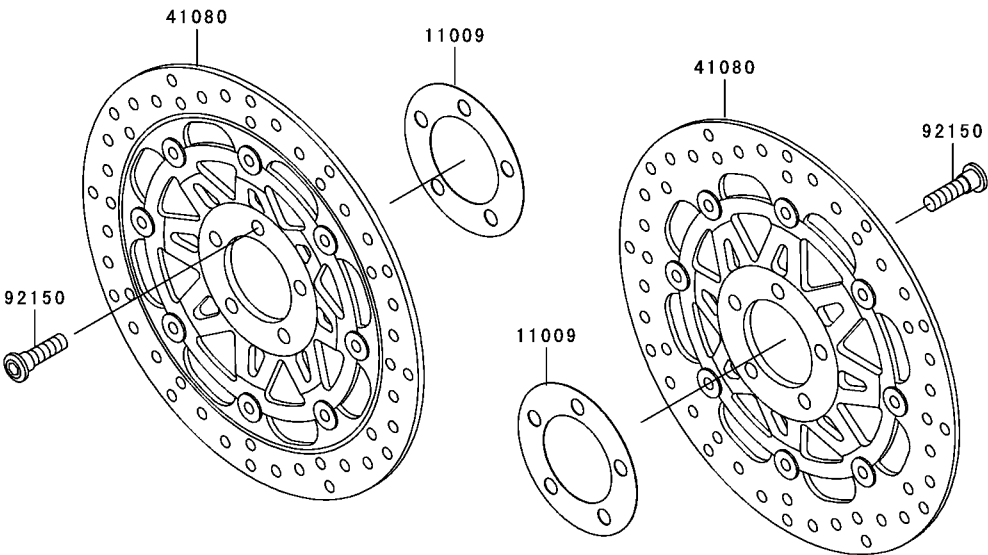
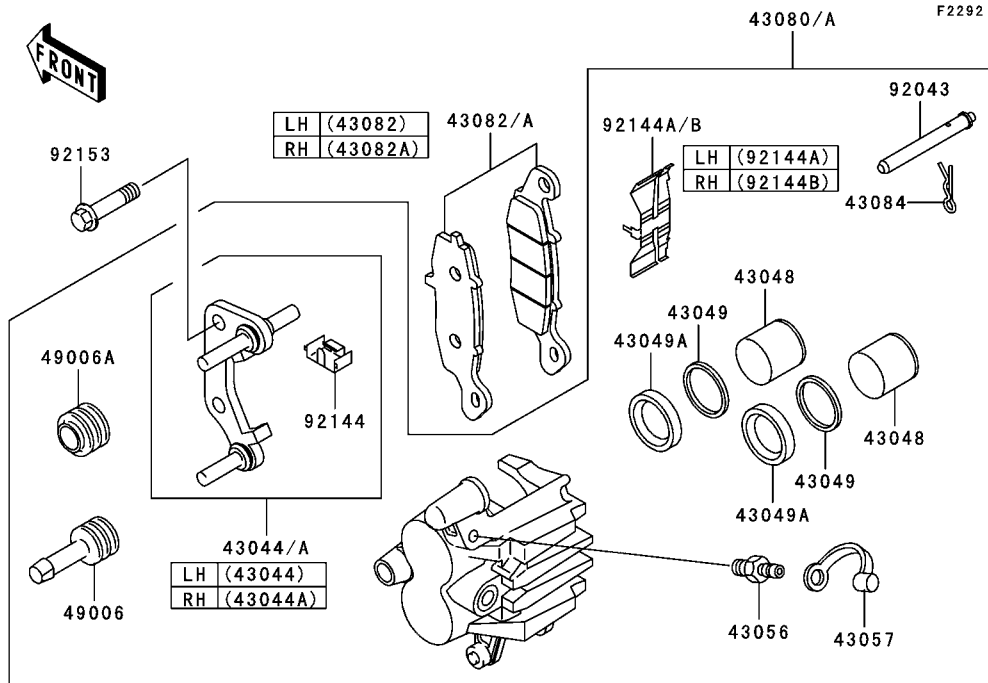
'05 ZR750-K1H Chassis

GRID NO.

F-5

This grid covers:

Front Brake



Ref. No.	Part No.	Description	Spec Code	Quantity-ZR750			
				'05			
				K1H			
11009	11009-1754	GASKET,DISC PLATE					2
41080	41080-0045-S6	DISC,FR,SILVER+DISC-SILVER					2
43044	43044-1115	HOLDER-COMP-CALIPER,FR,LH					1
43044A	43044-1116	HOLDER-COMP-CALIPER					1
43048	43048-1073	PISTON-CALIPER					4
43049	43049-1068	PACKING					4
43049A	43049-1092	PACKING,PISTON SEAL					4
43056	43056-1054	BREATHER-BRAKE					2
43057	43057-003	CAP-BREATHER					2
43080	43080-5015-DJ	CALIPER-SUB-ASSY,FR,RH,BLACK					1
43080A	43080-5017-DJ	CALIPER-SUB-ASSY,FR,LH,BLACK					1
43082	43082-0044	PAD-ASSY-BRAKE,LH					1
43082A	43082-0045	PAD-ASSY-BRAKE,RH					1
43084	43084-003	CLAMP,PAD					2
49006	49006-1054	BOOT,CALIPER					2
49006A	49006-1095	BOOT,CALIPER					2
92043	92043-1489	PIN,PAD					2
92144	92144-1831	SPRING,STOPPER					2
92144A	92144-1832	SPRING,PAD,LH					1
92144B	92144-1844	SPRING,PAD,RH					1
92150	92150-1771	BOLT,SOCKET,8X30					10
92153	92153-0587	BOLT,FLANGED,10X41					4

This catalog covers:

'05 ZR750-K1H Chassis

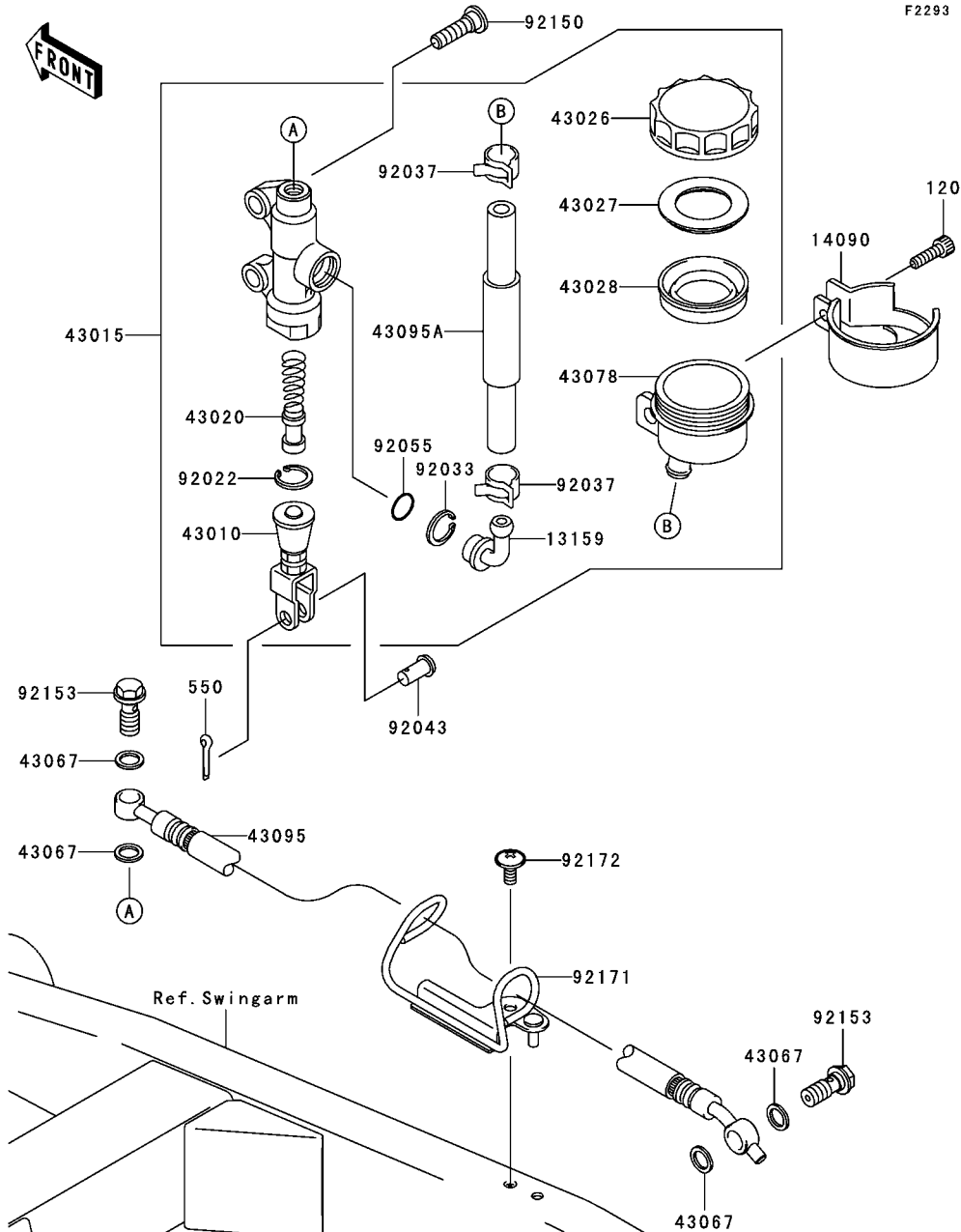
GRID NO.

F-6

This grid covers:

Rear Master Cylinder

F2293



Ref. No.	Part No.	Description	Spec Code	Quantity-ZR750	
				'05	K1H
13159	13159-1052	CONNECTOR,RR MASTER CYLINDER		1	
14090	14090-1482	COVER,RESERVOIR TANK		1	
43010	43010-1062	ROD-ASSY-BRAKE		1	
43015	43015-1706	CYLINDER-ASSY-MASTER,RR		1	
43020	43020-1094	PISTON-COMP-BRAKE		1	
43026	43026-1051	CAP-BRAKE		1	
43027	43027-1051	PLATE-DIAPHRAGM		1	
43028	43028-1057	DIAPHRAGM,MASTER CYLINDER		1	
43067	43067-001	WASHER,10.5X15X1.5		4	
43078	43078-1165	RESERVOIR,RR MASTER CYLINDER		1	
43095	43095-0117	HOSE-BRAKE,RR		1	
43095A	43095-1292	HOSE-BRAKE,RR MASTER CYLINDER		1	
92022	92022-1601	WASHER,CIRCRIP		1	
92033	92033-1186	RING-SNAP,20.5MM		1	
92037	92037-1547	CLAMP,BRAKE HOSE		2	
92043	92043-1303	PIN,8MM		1	
92055	92055-1251	RING-O,MASTER CYLINDER		1	
92150	92150-1843	BOLT,SOCKET,8X30		2	
92153	92153-0627	BOLT,OIL,L=23		2	
92171	92171-0489	CLAMP,BRAKE HOSE		1	
92172	92172-0004	SCREW,6X14		1	
120	120S0620	BOLT-SOCKET		1	
550	550D2015	PIN-COTTER,2.0X15		1	

This catalog covers:

'05 ZR750-K1H Chassis

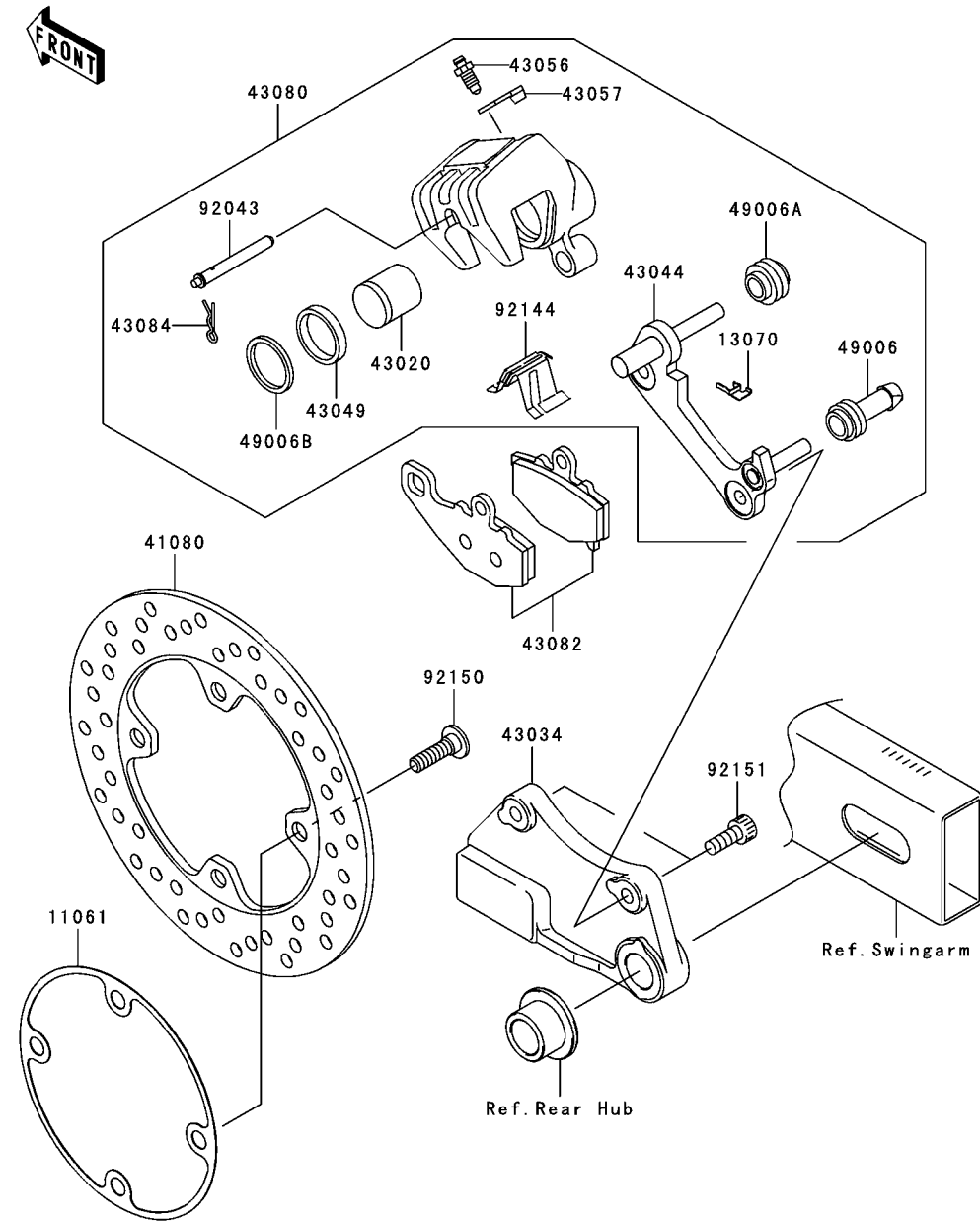
GRID NO.

F-7

This grid covers:

Rear Brake

F2294



Ref. No.	Part No.	Description	Spec Code	Quantity-ZR750			
				'05			
				K1H			
11061	11061-0078	GASKET,DISC PLATE					1
13070	13070-0045	GUIDE,BRAKE PAD					1
41080	41080-0037	DISC,RR					1
43020	43020-1119	PISTON-COMP-BRAKE					1
43034	43034-1149	HOLDER-BRAKE,REAR CALIPER					1
43044	43044-1110	HOLDER-COMP-CALIPER,RR					1
43049	43049-1097	PACKING,PISTON SEAL					1
43056	43056-1054	BREATHER-BRAKE					1
43057	43057-003	CAP-BREATHER					1
43080	43080-5061-DJ	CALIPER-SUB-ASSY,RR,BLACK					1
43082	43082-1213	PAD-ASSY-BRAKE					1
43084	43084-003	CLAMP,PAD					1
49006	49006-1054	BOOT,CALIPER					1
49006A	49006-1095	BOOT,CALIPER					1
49006B	49006-1212	BOOT,PISTON SEAL					1
92043	92043-1489	PIN,PAD					1
92144	92144-1719	SPRING,PAD					1
92150	92150-1771	BOLT,SOCKET,8X30					4
92151	92151-1289	BOLT,SOCKET,8X20					2

This catalog covers:

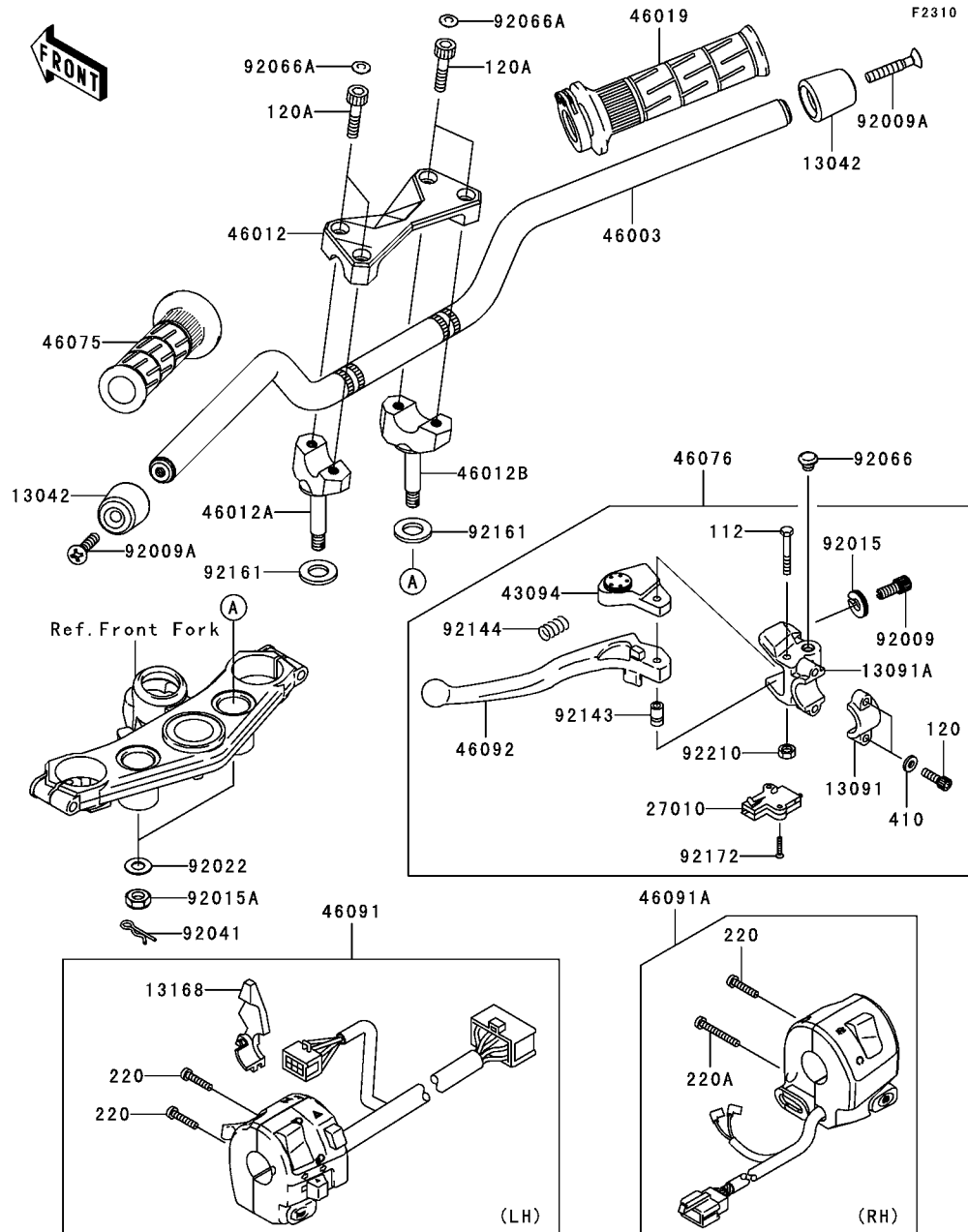
'05 ZR750-K1H Chassis

GRID NO.

F-8

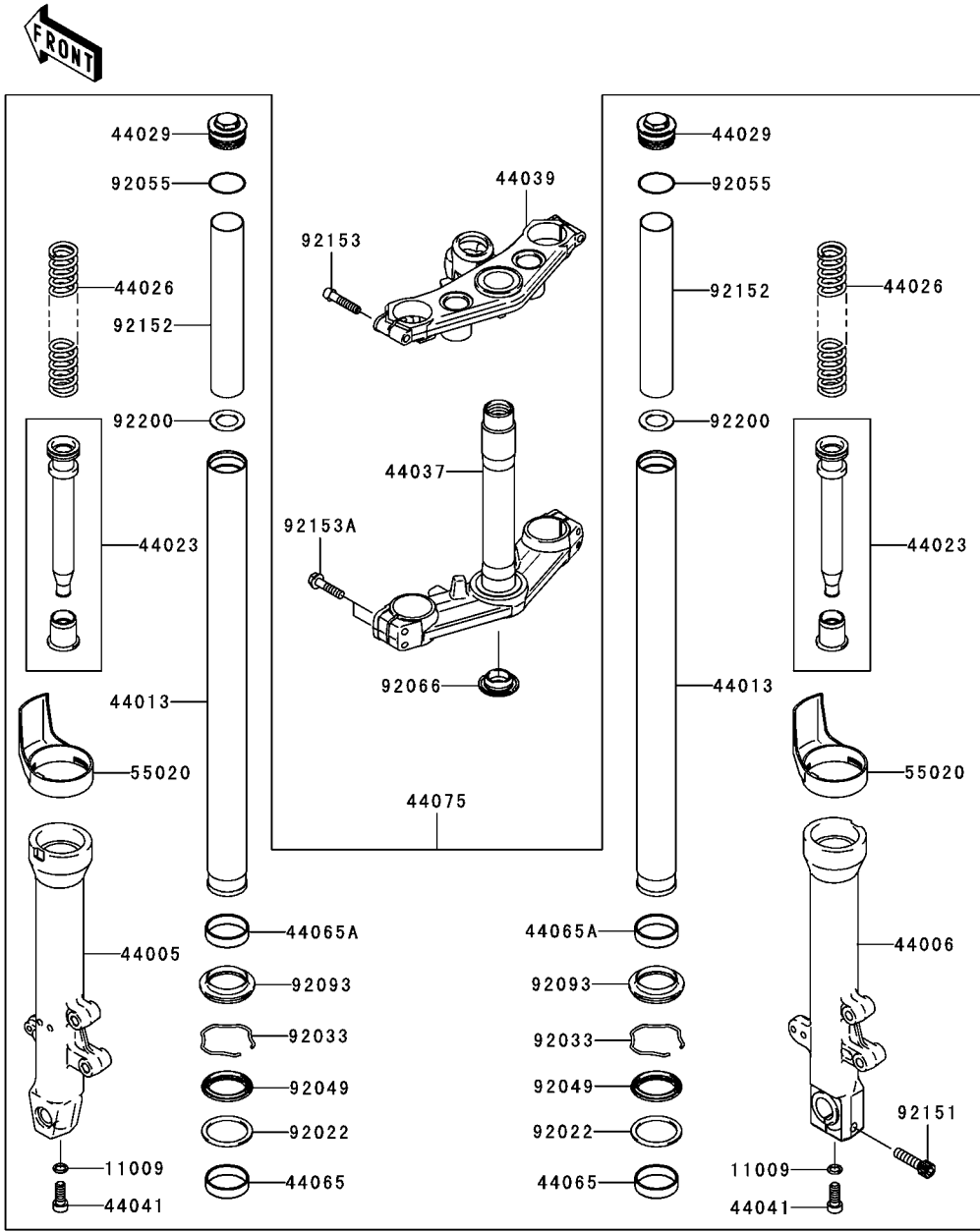
This grid covers:

Handlebar



Ref. No.	Part No.	Description	Spec Code	Quantity-ZR750	
				'05	K1H
13042	13042-1005	WEIGHT,HANDLE		2	
13091	13091-1624	HOLDER,CLUTCH LEVER		1	
13091A	13091-1652	HOLDER,CLUTCH LEVER		1	
13168	13168-1516	LEVER,CHOKE		1	
27010	27010-1094	SWITCH,CLUTCH,BLACK		1	
43094	43094-1053	ADJUSTER,CLUTCH LEVER		1	
46003	46003-0071	HANDLE		1	
46012	46012-1338	HOLDER-HANDLE,UPP		1	
46012A	46012-1339	HOLDER-HANDLE,LWR,LH		1	
46012B	46012-1340	HOLDER-HANDLE,LWR,RH		1	
46019	46019-0001	GRIP-ASSY,THROTTLE		1	
46075	46075-1144	GRIP,LH		1	
46076	46076-1180	LEVER-ASSY-GRIP,CLUTCH		1	
46091	46091-0030	HOUSING-ASSY-CONTROL,LH		1	
46091A	46091-1891	HOUSING-ASSY-CONTROL,RH		1	
46092	46092-1162	LEVER-GRIP,CLUTCH		1	
92009	92009-1134	SCREW,CABLE ADJUST,8MM,BLACK		1	
92009A	92009-1257	SCREW,8X45		2	
92015	92015-1197	NUT,CABLE ADJUST LOCK,8MM,BLK		1	
92015A	92015-1962	NUT,LOCK,10MM		2	
92022	92022-1088	WASHER,10.2X28X2		2	
92041	92041-1060	COTTER,8MM		2	
92066	92066-1077	PLUG,9.5X8,POLYETHYLENE		1	
92066A	92066-1216	PLUG		4	
92143	92143-1379	COLLAR		1	
92144	92144-1467	SPRING		1	
92161	92161-0037	DAMPER		2	
92172	92172-0183	SCREW,3X16		2	
92210	92210-0006	NUT,LOCK,6MM		1	
112	112C0640	BOLT-UPSET		1	
120	120S0620	BOLT-SOCKET		2	
120A	120S0830	BOLT-SOCKET,8X30,BLACK		4	
220	220C0525	SCREW-PAN-CROS		3	
220A	220C0540	SCREW-PAN-CROS		1	
410	410F0600	WASHER-PLAIN-SMALL,6MM,BLACK		2	

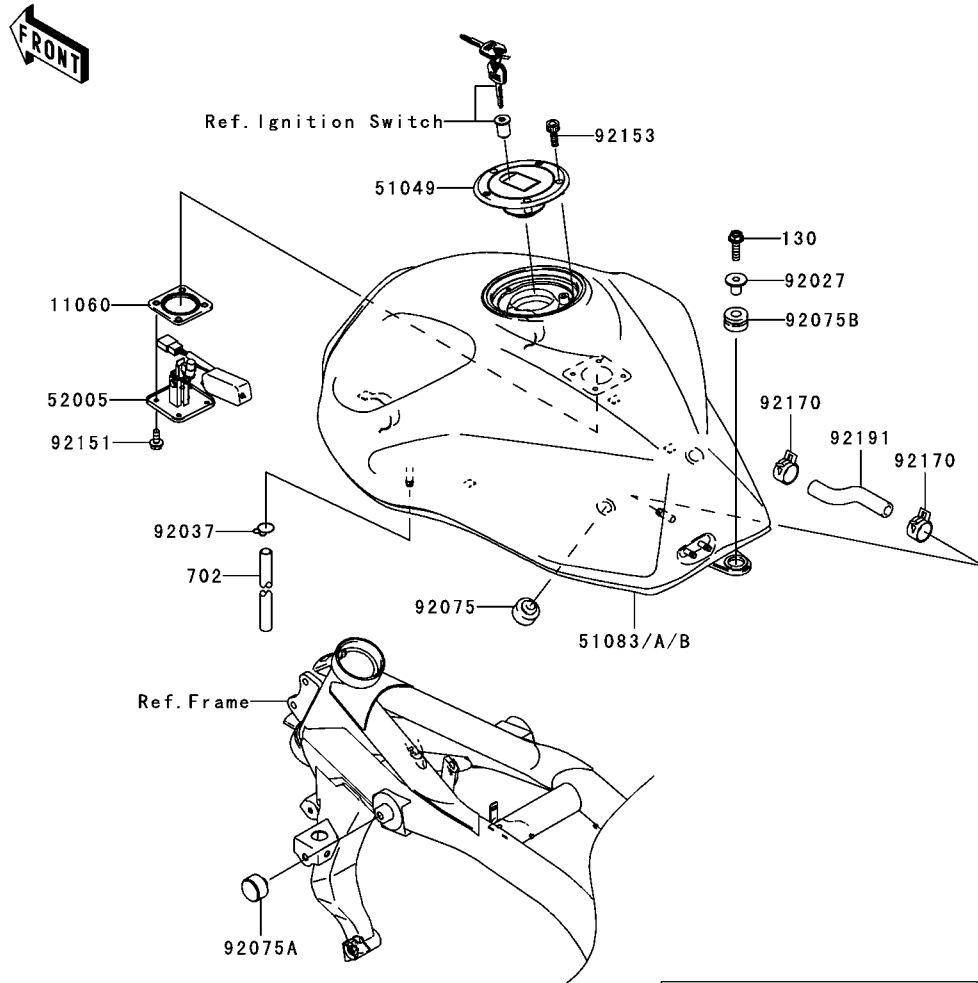
F2340



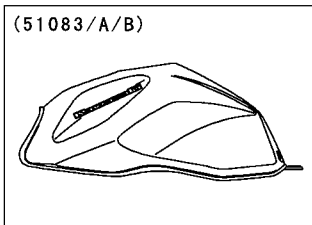
Ref. No.	Part No.	Description	Spec Code	Quantity-ZR750	
				'05	K1H

11009	11009-1325	GASKET,PIPE-COMP-SUSP		2
44005	44005-0032	PIPE-LEFT FORK OUTER		1
44006	44006-0031	PIPE-RIGHT FORK OUTER		1
44013	44013-0038	PIPE-FORK INNER		2
44023	44023-0009	CYLINDER-SET-FORK		2
44026	44026-0063	SPRING-FRONT FORK		2
44029	44029-0003	SEAT-FORK SPRING		2
44037	44037-0028	HOLDER-FORK UNDER		1
44039	44039-0021	HOLDER-FORK UPPER		1
44041	44041-040	BOLT,SOCKET,FORK CYLINDER		2
44065	44065-1115	BUSHING-FRONT FORK,OUTER TUBE		2
44065A	44065-1128	BUSHING-FRONT FORK,INNER PIPE		2
44075	44075-0059	DAMPER-SET-FORK		1
55020	55020-1691	GUARD,FORK		2
92022	92022-1298	WASHER,FORK OUTER TUBE		2
92033	92033-1036	RING-SNAP		2
92049	92049-1494	SEAL-OIL,FORK OUTER TUBE		2
92055	92055-1321	RING-O		2
92066	92066-0032	PLUG		1
92093	92093-1472	SEAL,FORK OUTER TUBE		2
92151	92151-1357	BOLT,SOCKET,10X40		1
92152	92152-0279	COLLAR,FORK,L=219.5		2
92153	92153-0506	BOLT,SOCKET,8X40		2
92153A	92153-0649	BOLT,FLANGED,8X35		4
92200	92200-1302	WASHER		2

F2410



(51083)	Black
(51083A)	Blue
(51083B)	Red



WD

Ref. No.	Part No.	Description	Spec Code	Quantity-ZR750		
				'05		
				K1H		
11060	11060-1952	GASKET,FUEL GAUGE				1
51049	51049-0008	CAP-TANK,FUEL				1
51083	51083-5392-660	TANK-COMP-FUEL,M.S.BLACK				1
51083A	51083-5393-723	TANK-COMP-FUEL,C,P,BLUE				1
51083B	51083-5394-724	TANK-COMP-FUEL,P.M.RED				1
52005	52005-1160	GAUGE,FUEL				1
92027	92027-1780	COLLAR,L=19.3				1
92037	92037-010	CLAMP,TUBE				1
92075	92075-015	DAMPER				2
92075A	92075-101	DAMPER,FUEL TANK				2
92075B	92075-1736	DAMPER				1
92151	92151-1599	BOLT,5X12				4
92153	92153-0492	BOLT,SOCKET,5X16				3
92170	92170-1492	CLAMP				2
92191	92191-1801	TUBE				1
130	130G0830	BOLT-FLANGED,8X30				1
702	702A06750	TUBE-RUBBER,6X9X750				1

This catalog covers:

'05 ZR750-K1H Chassis

GRID NO.

F-11

This grid covers:

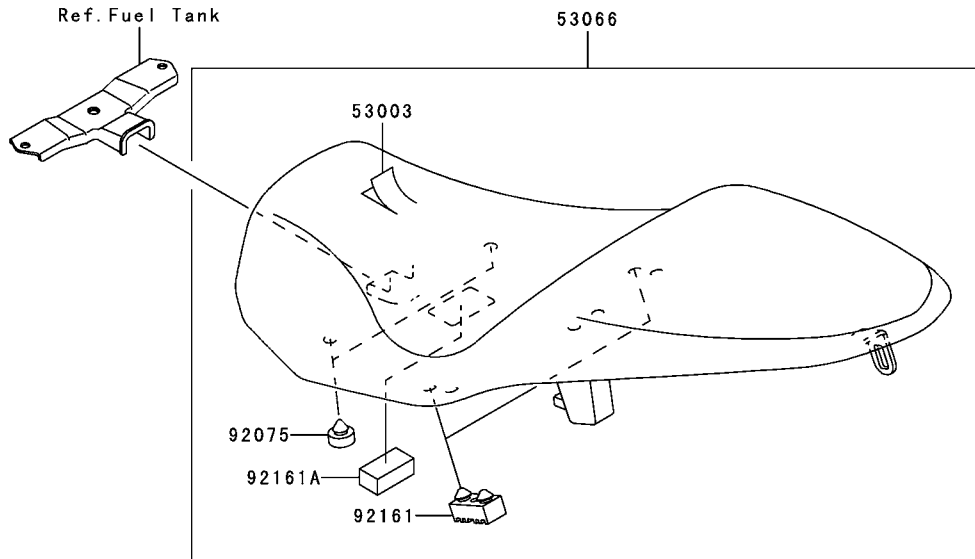
Seat

F2510



Ref. No.	Part No.	Description	Spec Code	Quantity-ZR750			
				'05			
				K1H			

53003	53003-0041-MA	LEATHER,SEAT,BLACK		1
53066	53066-0064-MA	SEAT-ASSY,BLACK		1
92075	92075-1927	DAMPER		2
92161	92161-0050	DAMPER,SEAT		2
92161A	92161-1321	DAMPER,SEAT		1



This catalog covers:

'05 ZR750-K1H Chassis

GRID NO.

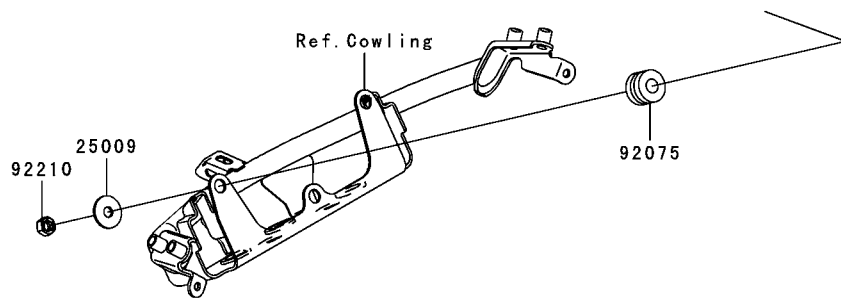
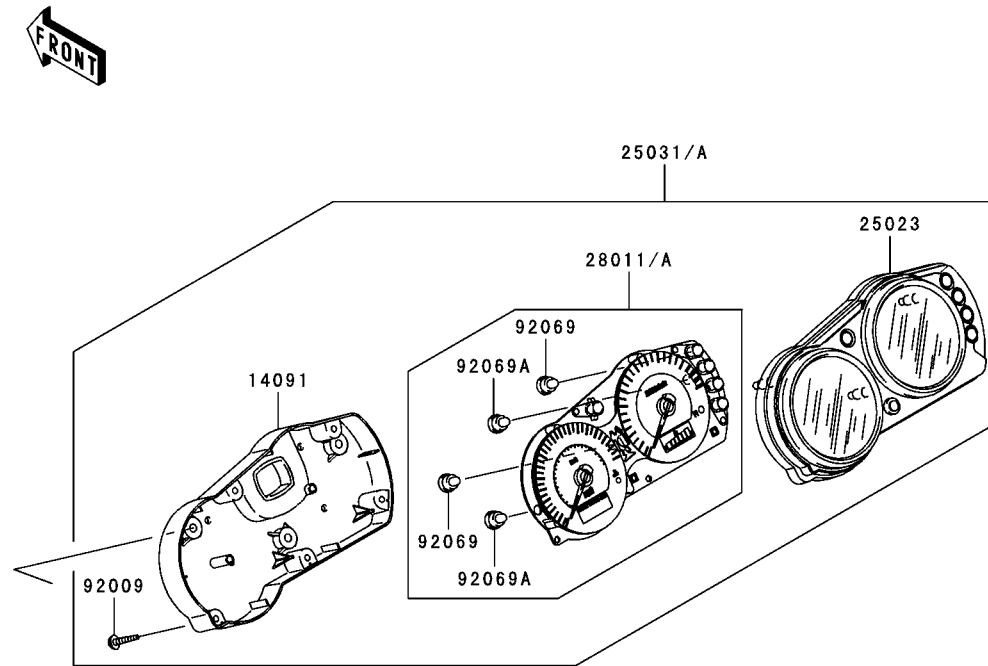
F-12

This grid covers:

Meter(s)

F2530

Ref. No.	Part No.	Description	Spec Code	Quantity-ZR750			
				'05			
14091	14091-0367	COVER,METER HOUSING					1
25009	25009-004	WASHER,5.2X16X1.2					3
25023	25023-0009	COVER-METER CASE,UPP					1
25031	25031-0063	METER-ASSY,KPH					
		L-----	FR,WV				1
25031A	25031-0072	METER-ASSY,MPH					
		L-----	UK				1
28011	28011-0027	METER,SPEED&TACHO,KPH					
		L-----	FR,WV				1
28011A	28011-0032	METER,SPEED&TACHO,MPH					
		L-----	UK				1
92009	92009-1158	SCREW,4X16,BLACK					5
92069	92069-1110	BULB,T3.4,12V1.1W					6
92069A	92069-1113	BULB,T3,12V0.7W					2
92075	92075-1435	DAMPER					3
92210	92210-1124	NUT,5MM					3



This catalog covers:

'05 ZR750-K1H Chassis

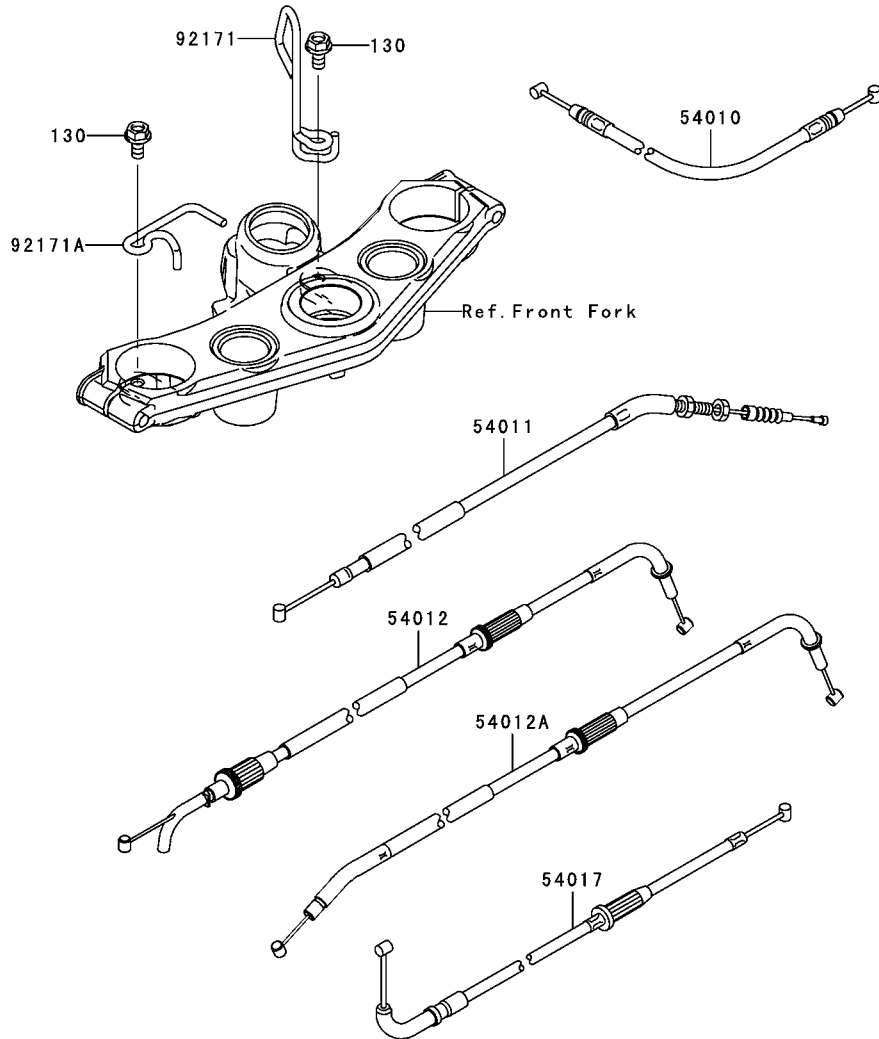
GRID NO.

F-13

This grid covers:

Cables

F2540



Ref. No.	Part No.	Description	Spec Code	Quantity-ZR750			
				'05			
				K1H			
54010	54010-0029	CABLE,SEAT LOCK					1
54011	54011-0024	CABLE-CLUTCH					1
54012	54012-0152	CABLE-THROTTLE,OPENING					1
54012A	54012-0153	CABLE-THROTTLE,CLOSING					1
54017	54017-0023	CABLE-STARTER					1
92171	92171-0409	CLAMP,CABLE,UPPER BRACKET,RH					1
92171A	92171-0474	CLAMP,CABLE,UPPER BRACKET,LH					1
130	130L0614	BOLT-FLANGED					2

This catalog covers:

'05 ZR750-K1H Chassis

GRID NO.

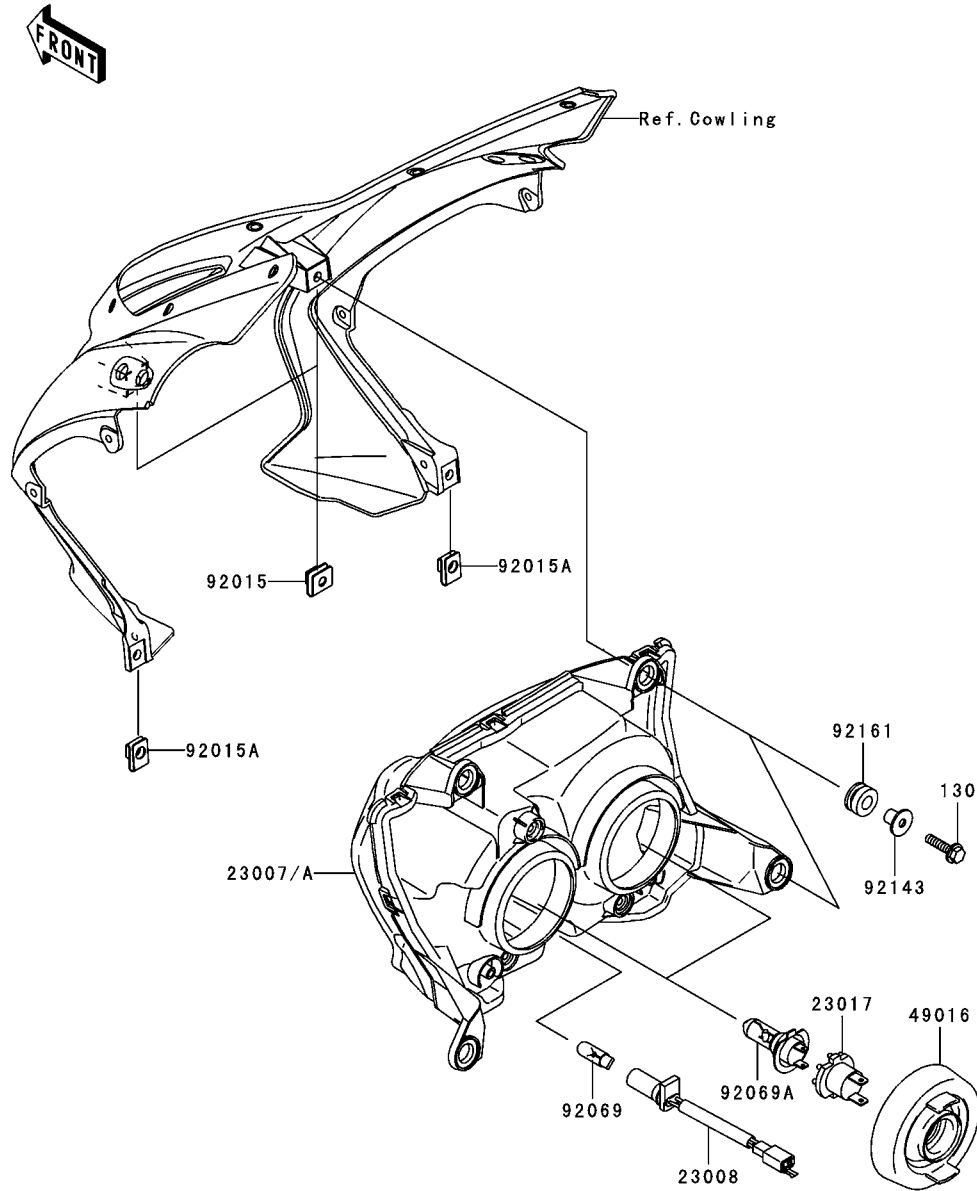
G-3

This grid covers:

Headlight(s)

F2710

Ref. No.	Part No.	Description	Spec Code	Quantity-ZR750		
				'05		
				K1H		
23007	23007-0041	LENS-COMP,HEAD LAMP				
		L-----FR,WV				1
23007A	23007-0046	LENS-COMP,HEAD LAMP				
		L-----UK				1
23008	23008-1686	SOCKET-ASSY,HEAD LAMP				1
23017	23017-1067	SOCKET,HEAD LAMP				2
49016	49016-1209	COVER-SEAL,HEAD LAMP				2
92015	92015-1094	NUT,6MM				2
92015A	92015-1602	NUT,6MM				2
92069	92069-1016	BULB,12V 5W				1
92069A	92069-1126	BULB,12V 55W,H7				2
92143	92143-1353	COLLAR				4
92161	92161-0036	DAMPER				4
130	130L0625	BOLT-FLANGED				4



This catalog covers:

'05 ZR750-K1H Chassis

GRID NO.

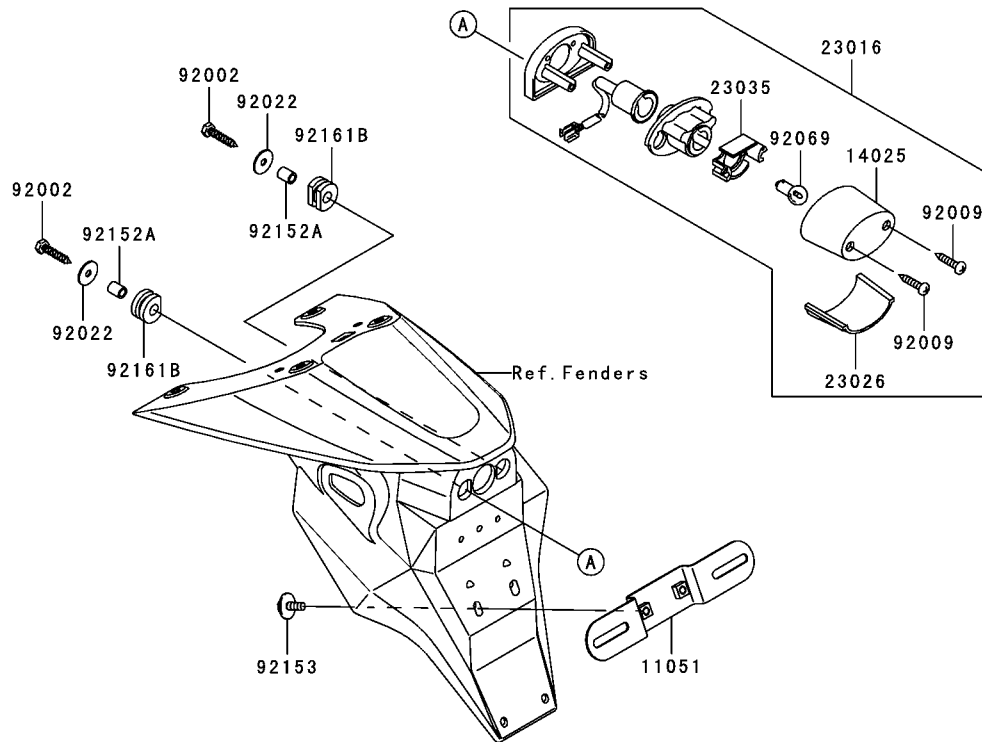
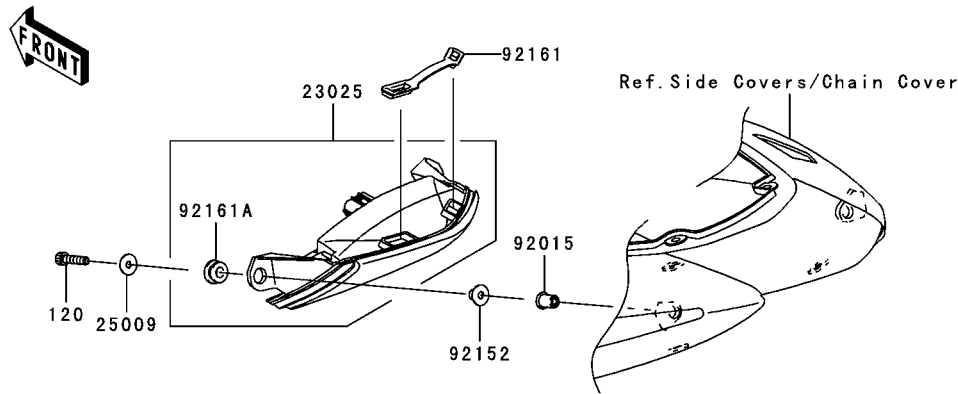
G-4

This grid covers:

Taillight(s)

F2720

Ref. No.	Part No.	Description	Spec Code	Quantity-ZR750			
				'05			
				K1H			
11051	11051-1503	BRACKET,LICENSE		1			
14025	14025-1725	COVER,LICENSE LAMP		1			
23016	23016-1200	LAMP-ASSY,LICENSE		1			
23025	23025-0013	LAMP-TAIL		1			
23026	23026-1064	LENS,LICENSE LAMP		1			
23035	23035-1066	REFLECTOR-LAMP,LICENSE		1			
25009	25009-004	WASHER,5.2X16X1.2		2			
92002	92002-1831	BOLT,TAPPING,5X25		2			
92009	92009-1378	SCREW,TAPPING,4X20		2			
92015	92015-1757	NUT,WELL,5MM		2			
92022	92022-1581	WASHER,5.5X20X1.2		2			
92069	92069-1055	BULB,12V 5W		1			
92152	92152-0092	COLLAR		2			
92152A	92152-1458	COLLAR,6X9X11.5		2			
92153	92153-0684	BOLT,6X16		2			
92161	92161-0191	DAMPER,TAIL LAMP		1			
92161A	92161-1188	DAMPER		2			
92161B	92161-1313	DAMPER		2			
120	120W0522	BOLT-SOCKET		2			



This catalog covers:

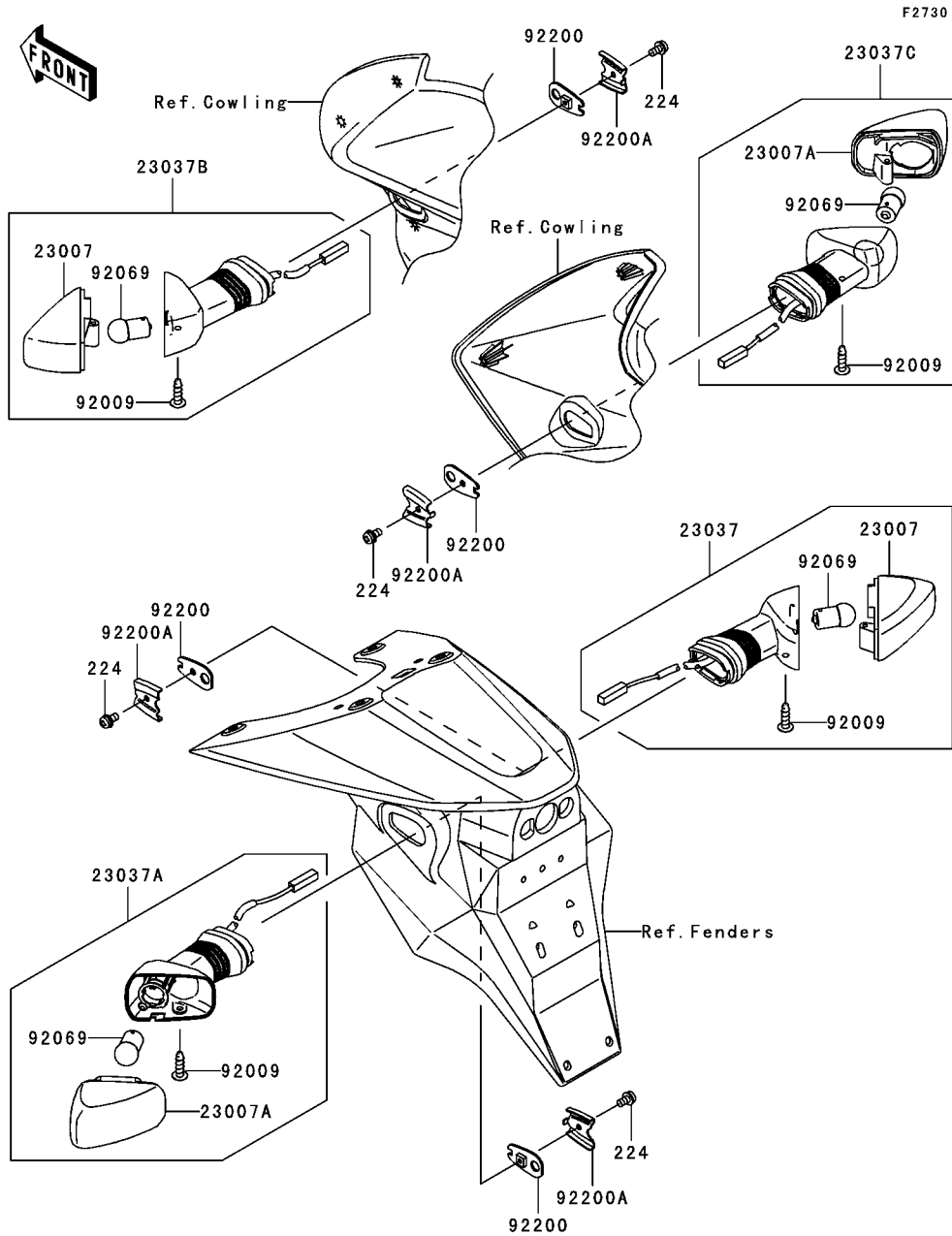
'05 ZR750-K1H Chassis

GRID NO.

G-5

This grid covers:

Turn Signals



Ref. No.	Part No.	Description	Spec Code	Quantity-ZR750			
				'05			
				K1H			
23007	23007-0039	LENS-COMP,SIGNAL LAMP					2
23007A	23007-0040	LENS-COMP,SIGNAL LAMP					2
23037	23037-0061	LAMP-ASSY-SIGNAL,RR,RH					1
23037A	23037-0062	LAMP-ASSY-SIGNAL,RR,LH					1
23037B	23037-0068	LAMP-ASSY-SIGNAL,FR,LH					1
23037C	23037-0069	LAMP-ASSY-SIGNAL,FR,RH					1
92009	92009-1158	SCREW,4X16,BLACK					4
92069	92069-0003	BULB,12V 10W					4
92200	92200-0164	WASHER,SIGNAL LAMP					4
92200A	92200-0165	WASHER,SIGNAL LAMP					4
224	224C0408	SCREW-PAN-WP-CROS,4X8					4

This catalog covers:

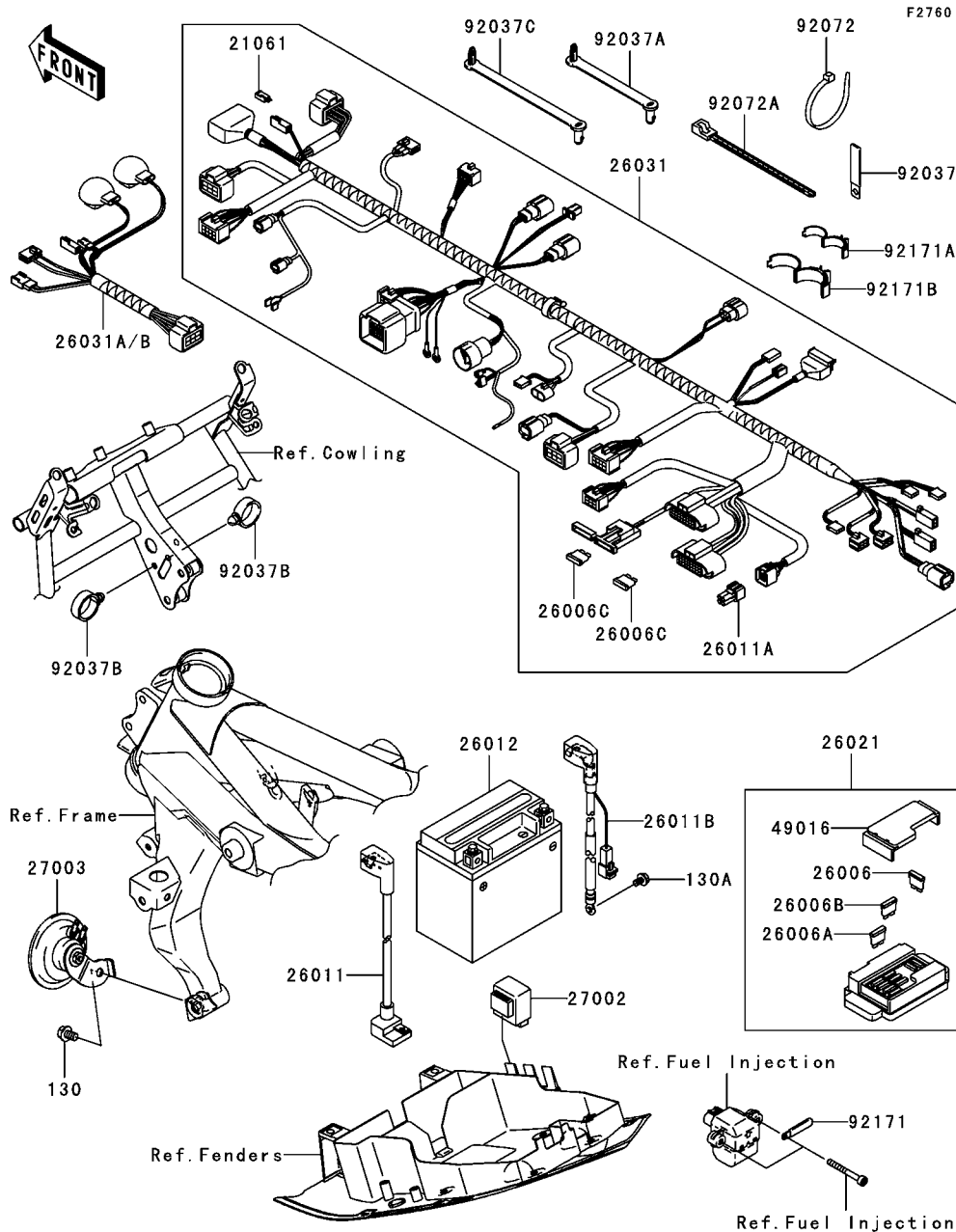
'05 ZR750-K1H Chassis

GRID NO.

G-6

This grid covers:

Chassis Electrical Equipment



Ref. No.	Part No.	Description	Spec Code	Quantity-ZR750		
				'05	K1H	
21061	21061-0001	RECTIFIER			1	
26006	26006-1067	FUSE,30A-G			1	
26006A	26006-1068	FUSE,10A-R			7	
26006B	26006-1069	FUSE,15A-B			1	
26006C	26006-1075	FUSE,15A			2	
26011	26011-0006	WIRE-LEAD,BATTERY(+)			1	
26011A	26011-0037	WIRE-LEAD			1	
26011B	26011-0041	WIRE-LEAD,BATTERY(-)			1	
26012	26012-1326	BATTERY,YTX9-BS,12V 8AH			1	
26021	26021-0003	JUNCTION BOX			1	
26031	26031-0255	HARNESS,MAIN			1	
26031A	26031-0256	HARNESS,FR			1	
26031B	26031-0295	HARNESS,FR			1	
27002	27002-1097	RELAY-ASSY,SIGNAL LAMP			1	
27003	27003-0032	HORN			1	
49016	49016-0005	COVER-SEAL,FUSE			1	
92037	92037-1069	CLAMP,L=60			1	
92037A	92037-1163	CLAMP,SPEED,L=58			4	
92037B	92037-1827	CLAMP,HOSE			2	
92037C	92037-1903	CLAMP,SPEED,L=80.5			1	
92072	92072-1195	BAND,L=202			1	
92072A	92072-1237	BAND,L=250			3	
92171	92171-0181	CLAMP			1	
92171A	92171-1424	CLAMP,DIA=15			3	
92171B	92171-1559	CLAMP,DIA=25			1	
130	130L0812	BOLT-FLANGED			1	
130A	130V0610	BOLT-FLANGED,6X10			1	

This catalog covers:

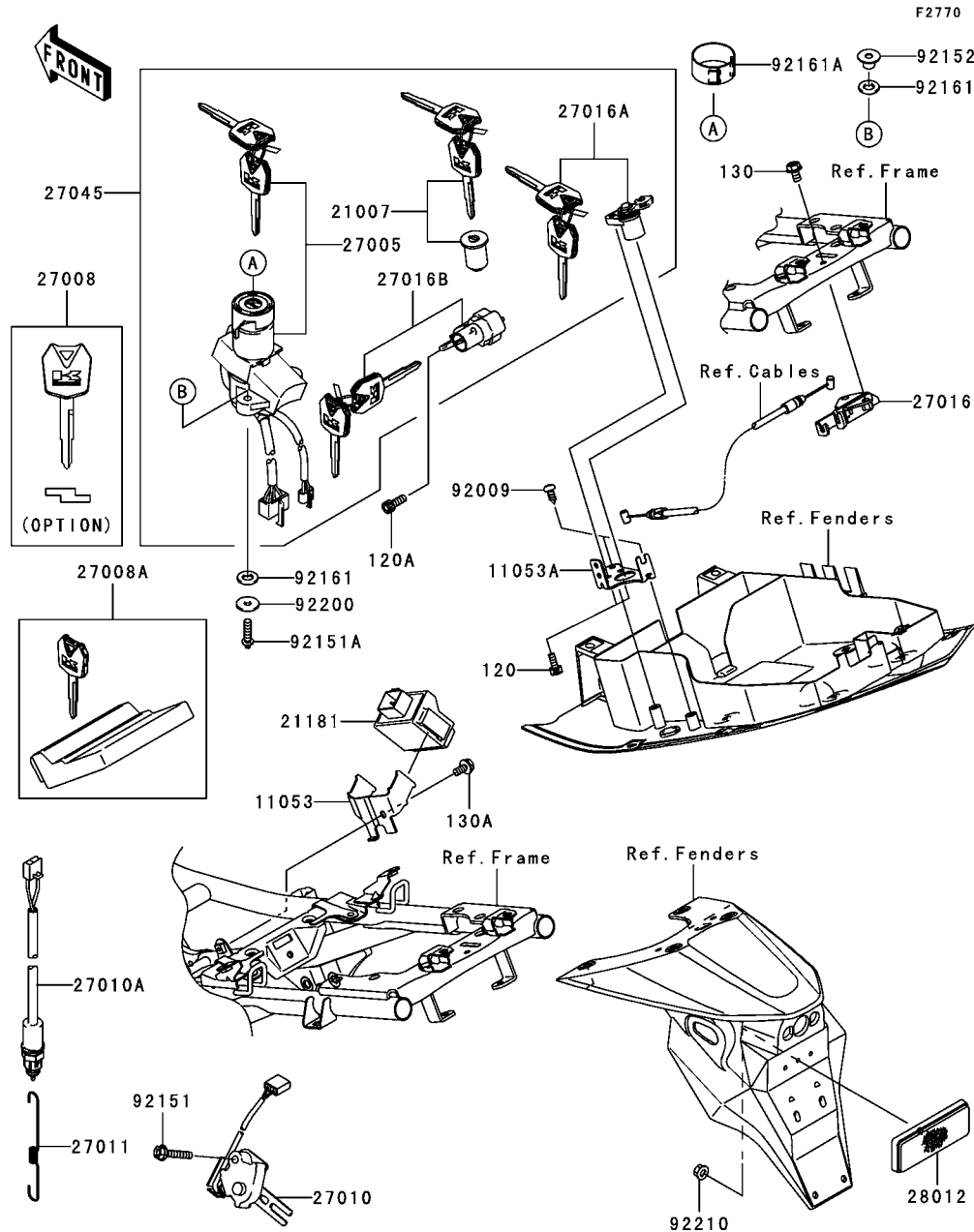
'05 ZR750-K1H Chassis

GRID NO.

G-7

This grid covers:

Ignition Switch



Ref. No.	Part No.	Description	Spec Code	Quantity-ZR750	
				'05	K1H
	11053	11053-1408	BRACKET,AMPLIFIER		1
	11053A	11053-1520	BRACKET,SEAT LOCK		1
	21007	21007-5056	ROTOR,LOCK,TANK CAP		1
	21181	21181-0001	AMPLIFIER,IMMOBILIZER		1
	27005	27005-5134	SWITCH-ASSY-IGNITION		1
	27008	27008-0029	KEY-LOCK,BLANK,IMMOBILIZER,SUB		1
		(OPTION)			
	27008A	27008-5018	MASTER KEY SET(BLANK),IMMOBI		1
	27010	27010-1470	SWITCH,SIDE STAND		1
	27010A	27010-1479	SWITCH,REAR BRAKE		1
	27011	27011-021	SPRING,BRAKE LAMP SWITCH		1
	27016	27016-1115	LOCK-ASSY,SEAT STRIKER		1
	27016A	27016-5307	LOCK-ASSY,HELMET		1
	27016B	27016-5310	LOCK-ASSY,SEAT		1
	27045	27045-5311	SWITCH-ASSY		1
	28012	28012-1077	REFLECTOR-REFLEX		1
	92009	92009-1138	SCREW,TAPPING,5X12,BLACK		2
	92151	92151-1216	BOLT,FLANGED,6X30		1
	92151A	92151-1946	BOLT,TORX,6X22		2
	92152	92152-0288	COLLAR		2
	92161	92161-0240	DAMPER,IGNITION SWITCH		4
	92161A	92161-0257	DAMPER,IGNITION SWITCH		1
	92200	92200-0212	WASHER,6X20X1.6		2
	92210	92210-0007	NUT,FLANGED,5MM		1
	120	120S0512	BOLT-SOCKET		2
	120A	120W0616	BOLT-SOCKET		1
	130	130J0612	BOLT-FLANGED		2
	130A	130L0612	BOLT-FLANGED		1

This catalog covers:

'05 ZR750-K1H Chassis

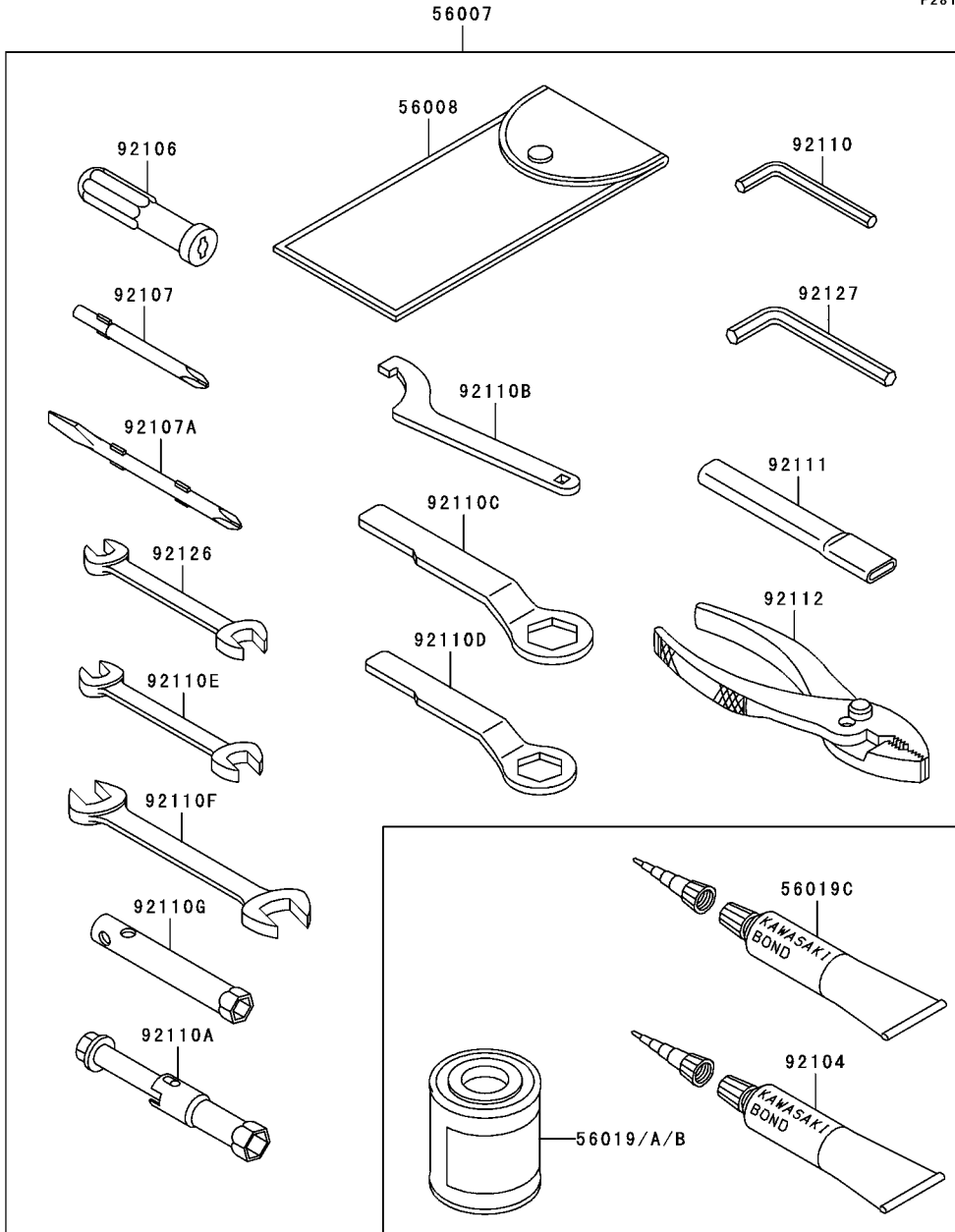
GRID NO.

G-8

This grid covers:

Owner's Tools

F2810



Ref. No.	Part No.	Description	Spec Code	Quantity-ZR750			
				'05			
				K1H			
56007	56007-0007	TOOL-KIT		1			
56008	56008-1075	BAG,TOOL		1			
56019	56019-108-660	PAINT,1/12L,M.S.BLACK		1			
56019A	56019-108-723	PAINT,1/12L,C.P.BLUE		1			
56019B	56019-108-724	PAINT,1/12L,P.M.RED		1			
56019C	56019-120	THREE BOND TB1211,HT/RS,WHITE		1			
92104	92104-1063	GASKET-LIQUID,TB1216,GRAY		1			
92106	92106-1001	GRIP-SCREW DRIVER		1			
92107	92107-005	TOOL-DRIVER,#3PHILLIPS		1			
92107A	92107-1051	TOOL-DRIVER,#2PHILLIPS&SLOT		1			
92110	92110-0001	TOOL-WRENCH,ALLEN,5MM		1			
92110A	92110-1132	TOOL-WRENCH,BOX,16MM		1			
92110B	92110-1144	TOOL-WRENCH,HOOK		1			
92110C	92110-1147	TOOL-WRENCH,BOX END,27MM		1			
92110D	92110-1148	TOOL-WRENCH,BOX END,22MM		1			
92110E	92110-1152	TOOL-WRENCH,OPEN END,10X12		1			
92110F	92110-1153	TOOL-WRENCH,OPEN END,14X17		1			
92110G	92110-1156	TOOL-WRENCH,BOX,10MM		1			
92111	92111-1051	TOOL-BAR,BOX END WRENCH		1			
92112	92112-1001	TOOL-PLIERS		1			
92126	92126-004	TOOL-WRENCH,OPEN END,8X10		1			
92127	92127-003	TOOL-WRENCH,ALLEN,6MM		1			

This catalog covers:

'05 ZR750-K1H Chassis

GRID NO.

G-9

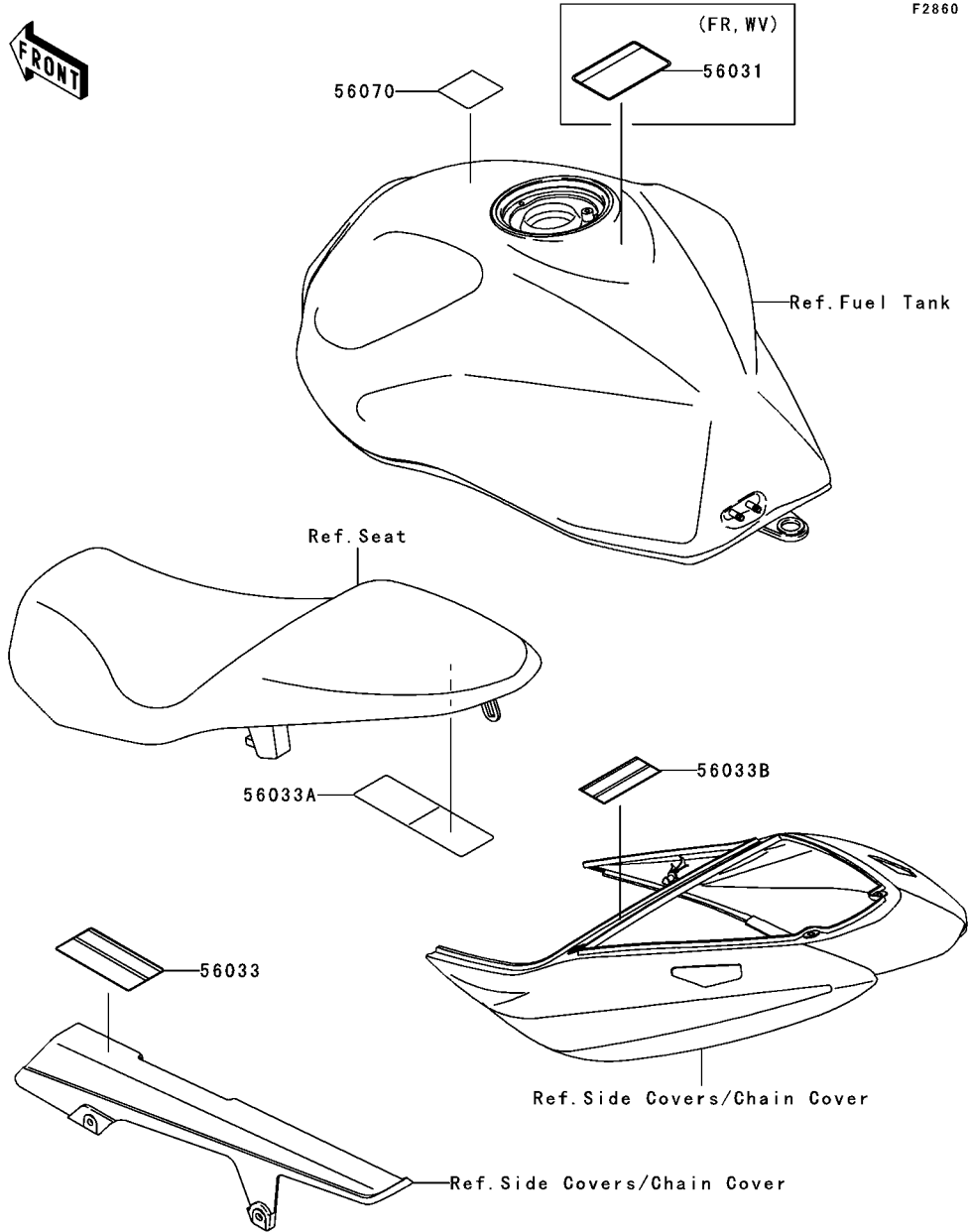
This grid covers:

Labels

F2860

Ref. No.	Part No.	Description	Spec Code	Quantity-ZR750			
				'05			
				K1H			

56031	56031-1441	LABEL-MANUAL,ENGLISH/FRENCH					
		L-----FR,WV					1
56033	56033-0046	LABEL-MANUAL,CHAIN					1
56033A	56033-0082	LABEL-MANUAL,DAILY SAFETY					1
56033B	56033-1284	LABEL-MANUAL,OIL&OIL FILTER					1
56070	56070-1143	LABEL,UNLEADED PETROL ONLY					1



This catalog covers:

'05 ZR750-K1H Chassis

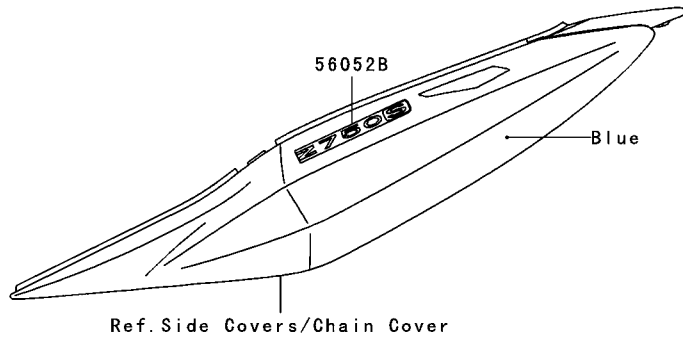
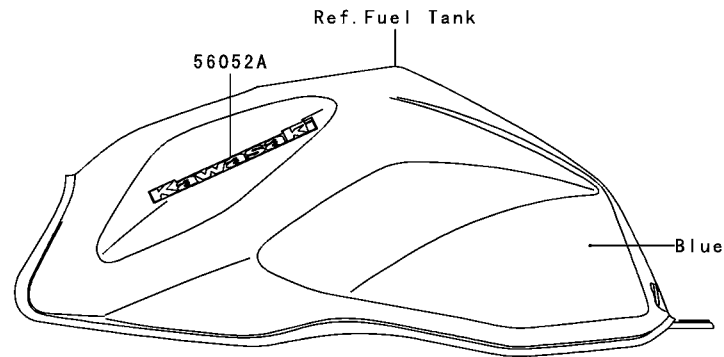
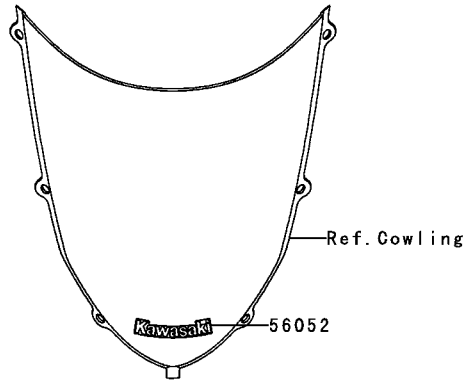
GRID NO.

G-10

This grid covers:

Decals(Blue)

F2861



Ref. No.	Part No.	Description	Spec Code	Quantity-ZR750			
				'05			
56052	56052-0154	MARK,WINDSHIELD,KAWASAKI					1
56052A	56052-0495	MARK,FUEL TANK,KAWASAKI					2
56052B	56052-0539	MARK,TAIL COVER,Z750S					2

This catalog covers:

'05 ZR750-K1H Chassis

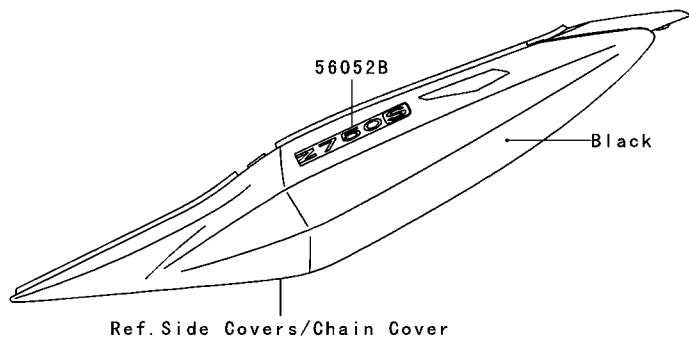
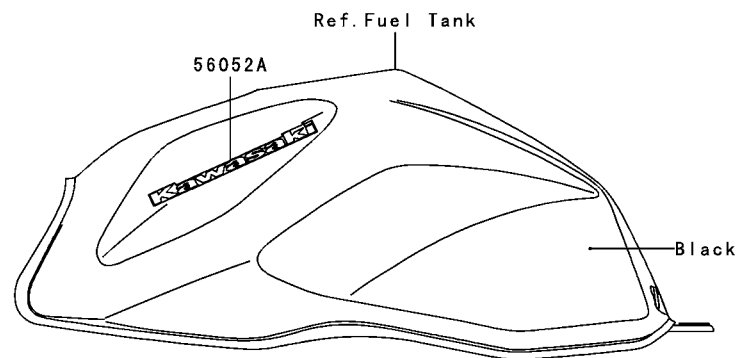
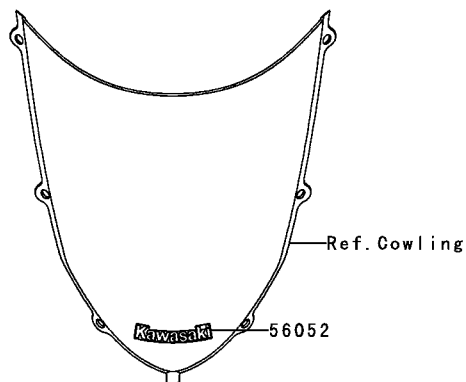
GRID NO.

G-11

This grid covers:

Decals(Black)

F2861A



Ref. No.	Part No.	Description	Spec Code	Quantity-ZR750			
				'05			
56052	56052-0154	MARK,WINDSHIELD,KAWASAKI					1
56052A	56052-0495	MARK,FUEL TANK,KAWASAKI					2
56052B	56052-0538	MARK,TAIL COVER,Z750S					2

This catalog covers:

'05 ZR750-K1H Chassis

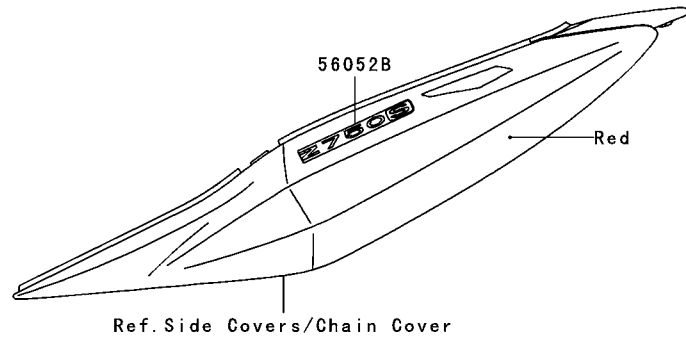
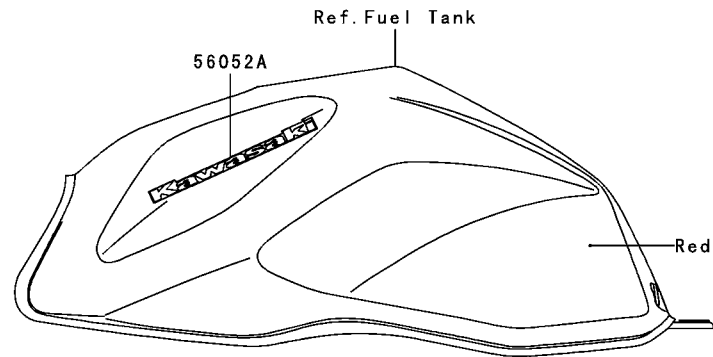
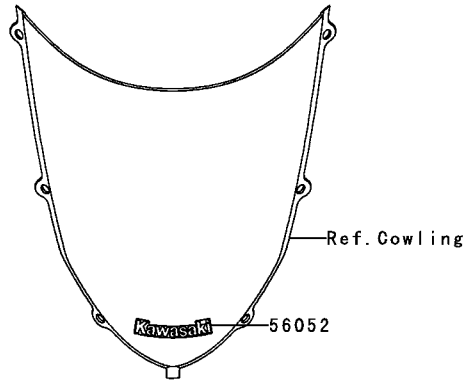
GRID NO.

G-12

This grid covers:

Decals(Red)

F2861B



Ref. No.	Part No.	Description	Spec Code	Quantity-ZR750			
				'05			
56052	56052-0154	MARK,WINDSHIELD,KAWASAKI					1
56052A	56052-0495	MARK,FUEL TANK,KAWASAKI					2
56052B	56052-0541	MARK,TAIL COVER,Z750S					2

This catalog covers:

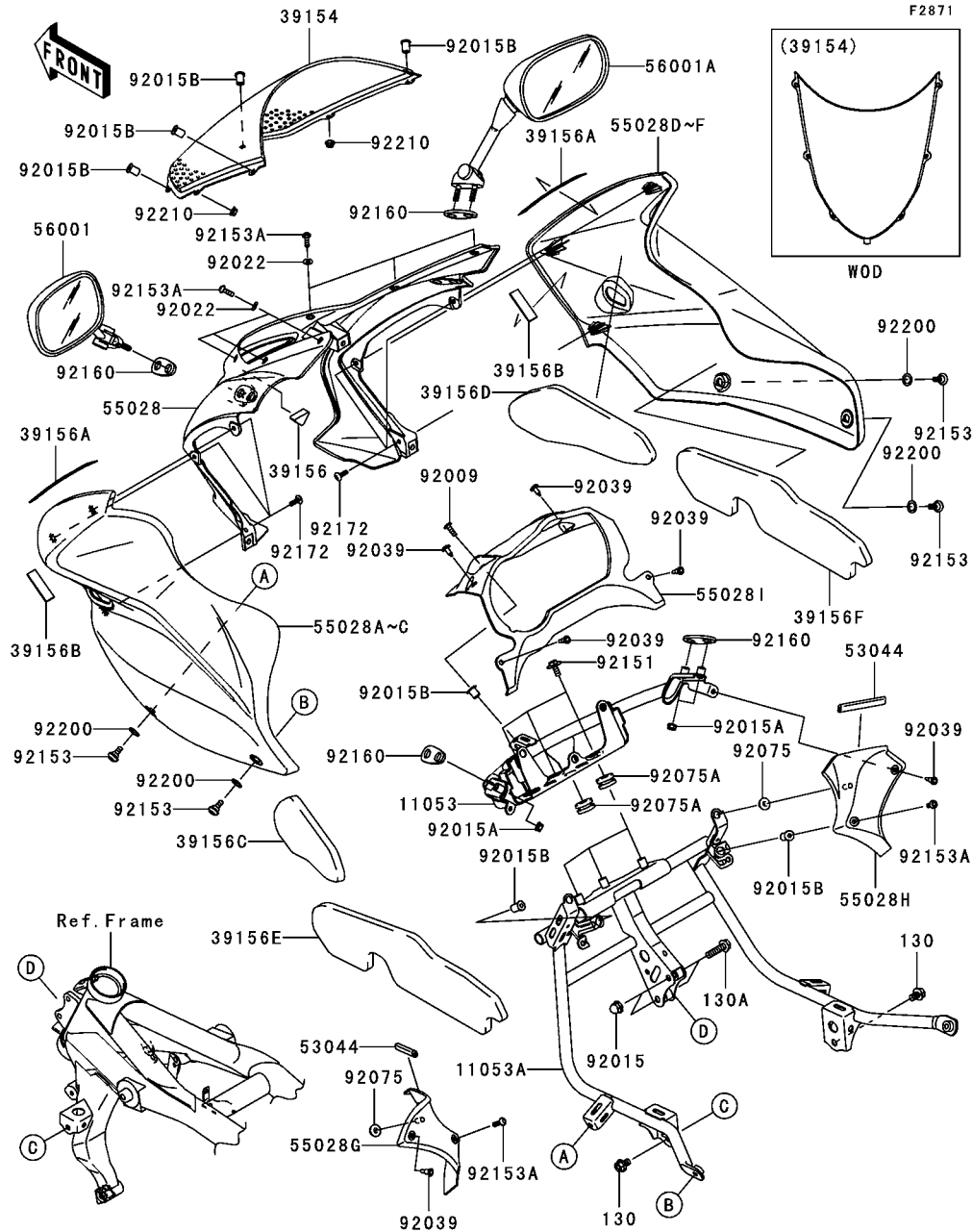
'05 ZR750-K1H Chassis

GRID NO.

G-13

This grid covers:

Cowling



Ref. No.	Part No.	Description	Spec Code	Quantity-ZR750	
				'05	K1H
11053	11053-1431	BRACKET,MIRROR&METER			1
11053A	11053-1432	BRACKET,UPP COWLING			1
39154	39154-0001	WINDSHIELD			1
39156	39156-0099	PAD,UPP COWLING,CNT			1
39156A	39156-0100	PAD,UPP COWLING,LH&RH			2
39156B	39156-0101	PAD,UPP COWLING,LH&RH			2
39156C	39156-0104	PAD,UPP COWLING,SIDE,LH,UPP			1
39156D	39156-0105	PAD,UPP COWLING,SIDE,RH,UPP			1
39156E	39156-0106	PAD,UPP COWLING,SIDE,LH,LWR			1
39156F	39156-0107	PAD,UPP COWLING,SIDE,RH,LWR			1
53044	53044-0009	TRIM,L=75			2
55028	55028-0041-8J	COWLING,UPP,CNT,F.S.BLACK			1
55028A	55028-0042-660	COWLING,UPP,LH,M.S.BLACK			1
55028B	55028-0042-723	COWLING,UPP,LH,C.P.BLUE			1
55028C	55028-0042-724	COWLING,UPP,LH,P.M.RED			1
55028D	55028-0043-660	COWLING,UPP,RH,M.S.BLACK			1
55028E	55028-0043-723	COWLING,UPP,RH,C.P.BLUE			1
55028F	55028-0043-724	COWLING,UPP,RH,P.M.RED			1
55028G	55028-0044	COWLING,INNER,LH			1
55028H	55028-0045	COWLING,INNER,RH			1
55028I	55028-0049	COWLING,INNER,CNT			1
56001	56001-0037	MIRROR-ASSY,LH			1
56001A	56001-0038	MIRROR-ASSY,RH			1
92009	92009-1909	SCREW,5X16			1
92015	92015-1174	NUT,CAP,8MM,BLACK			2
92015A	92015-1386	NUT,6MM			4
92015B	92015-1757	NUT,WELL,5MM			7
92022	92022-1521	WASHER,NYLON,5.3X11.5X1.5			6
92039	92039-0023	RIVET			6
92075	92075-1011	DAMPER			2
92075A	92075-1690	DAMPER			4
92151	92151-1530	BOLT,6X16			3
92153	92153-0489	BOLT,SOCKET,6MM			4
92153A	92153-1244	BOLT,SOCKET,5X16			8
92160	92160-1089	DAMPER,MIRROR			4
92172	92172-0175	SCREW,TAPPING,5X16			6
92200	92200-0157	WASHER,10.4X15.9X0.5			4
92210	92210-0007	NUT,FLANGED,5MM			2
130	130L0812	BOLT-FLANGED			2
130A	130L0830	BOLT-FLANGED			2

This catalog covers:

'05 ZR750-K1H Chassis

GRID NO.

G-14

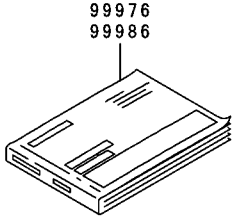
This grid covers:

Manual

F2920

Ref. No.	Part No.	Description	Spec Code	Quantity-ZR750			
				'05			
				K1H			
99976	99976-1224	OWNER'S MANUAL,MULTI					1
99986	99986-1262	OWNER'S MANUAL,ENGLISH					1

Owner's Manual
(Local Procurement)



Ref. No.	Language
(99976)	English French German Italian
(99986)	English

This catalog covers:
'05 ZR750-K1H

GRID NO.

L-13

This grid covers:

Numerical Parts Index

Part No.	Grid No.	Part No.	Grid No.	Part No.	Grid No.	Part No.	Grid No.	Part No.	Grid No.	Part No.	Grid No.
11004-0006	B-3	120W0520	F-14	13140-1266	B-13	14091-0367	F-12	23008-1686	G-3	28011-0027	F-12
11005-0015	B-5	120W0522	G-4	13140-1267	B-13	14091-1529	C-5	23016-1200	G-4	28011-0032	F-12
11008-0013	B-3	120W0616	G-7	13144-0007	B-12	14091-1532	C-14	23017-1067	G-3	28012-1077	G-7
11009-1145	C-14	13001-0018	B-5	13145-0002	B-13	16007-1227	B-8	23025-0013	G-4	31064-0005	C-7
11009-1325	F-9	13002-0003	B-5	13151-1085	B-13	16014-0002	C-7	23026-1064	G-4	32043-0025	E-10
11009-1754	F-5	13008-0004	B-5	13159-1052	F-6	16021-0002	C-7	23035-1066	G-4	32052-1597	E-5
11010-0017	B-6	13031-0003	B-10	13161-1292	B-14	16065-0008	B-3	23037-0061	G-5	32065-0002	E-9
11012-1084	C-14	13042-1005	F-8	13168-1516	F-8	16073-3707	C-7	23037-0062	G-5	32065-0003	E-9
11013-1302	B-6	13061-1687	C-9	13187-0003	B-11	16085-1303	C-13	23037-0068	G-5	32085-0047	E-8
11051-1503	G-4	13070-0045	F-7	13194-1096	C-13	16097-0002	C-10	23037-0069	G-5	32097-0010	E-5
11053-0138	E-5	13087-0006	B-11	13216-1168	C-10	16115-1009	C-5	25009-004	E-9	32152-1545	C-3
11053-0210	C-11	13088-1124	B-11	13236-0074	E-14	16126-1140	E-11	25009-004	F-12	32160-0089	E-3
11053-0424	B-6	13089-013	B-11	13236-1243	B-14	16126-1433	B-6	25009-004	G-4	32190-0009	E-4
11053-0425	B-6	13089-1073	B-11	13236-1337	F-4	16130-1058	C-10	25023-0009	F-12	32190-0134	E-4
11053-1070	C-14	13089-1126	B-11	13236-1365	B-14	16142-1146	C-10	25031-0063	F-12	33001-0051	E-6
11053-1144	E-9	13091-1041	B-11	13239-0006	B-13	16142-1174	C-10	25031-0072	F-12	33032-0005	E-6
11053-1150	E-9	13091-1624	F-8	13242-1395	B-14	16154-1124	C-10	26006-1067	G-6	33040-0009	E-6
11053-1408	G-7	13091-1652	F-8	13251-1145-II	B-10	16160-0039	C-14	26006-1068	G-6	33040-0012	E-6
11053-1431	G-13	13091-1791	B-13	13262-0064	B-12	16160-1280	C-10	26006-1069	G-6	33040-1143	E-6
11053-1432	G-13	13091-1992	C-13	13262-0065	B-12	16163-0065	C-7	26006-1075	G-6	34003-0025	E-8
11053-1520	G-7	13095-0012	B-11	13262-0069	B-12	16163-0066	C-7	26011-0006	G-6	34003-1474	E-8
11060-1854	C-5	130G0508	C-7	13262-0070	B-12	16170-0002	C-7	26011-0015	C-13	34024-0008	E-10
11060-1952	F-10	130G0512	C-12	13262-0073	B-12	18091-0239	B-7	26011-0037	G-6	34028-0004	E-8
11060-1971	B-7	130G0830	F-10	13262-0157	B-12	21003-0001	C-11	26011-0041	G-6	34028-0005	E-8
11061-0078	F-7	130J0608	B-6	13262-0160	B-12	21007-0005	C-9	26012-1326	G-6	34028-1428	E-8
11061-0104	B-4	130J0608	E-5	13262-0162	B-12	21007-0021	C-11	26021-0003	G-6	34028-1429	E-8
11061-0158	B-7	130J0612	D-3	13262-0163	B-12	21007-1419	C-12	26031-0119	C-12	34028-1430	E-8
11061-1165	B-4	130J0612	G-7	13262-0164	B-12	21007-5056	G-7	26031-0255	G-6	35004-0024-660	E-9
11061-1166	C-5	130J0616	C-9	13271-0056	C-7	21040-0001	C-13	26031-0256	G-6	35004-0024-723	E-9
11061-1167	C-6	130J0620	E-5	13271-1511	C-3	21061-0001	G-6	26031-0295	G-6	35004-0024-724	E-9
11061-1168	B-5	130J0816	E-4	13280-0022	C-10	21066-1127	C-11	26031-0313	C-7	35019-0006	E-9
11065-0018	C-7	130J1055	E-4	14001-0025	C-3	21163-0024	C-13	27002-1062	C-9	35019-0007	E-9
11065-0055	E-6	130L0612	E-6	14013-1051	C-3	21169-1058	C-13	27002-1097	G-6	35023-0044	E-9
11065-1247	B-4	130L0612	G-7	14014-1140	C-3	21171-1286	C-12	27003-0032	G-6	35063-0034	E-5
112C0640	F-8	130L0614	F-13	14025-1725	G-4	21175-0053	C-9	27005-5134	G-7	35063-0062-458	E-5
12004-0005	B-8	130L0614	F-4	14026-1293	C-5	21176-0032	C-5	27008-0029	G-7	35063-0063-458	E-5
12005-0010	B-8	130L0625	G-3	14031-0010	C-5	21176-1077	C-9	27008-5018	G-7	35063-0065	C-14
12009-0001	B-8	130L0812	G-13	14032-0015	C-5	21176-1118	C-9	27010-0007	C-9	35063-0172	E-5
12011-1052	B-8	130L0812	G-6	14037-1315	C-14	21176-1120	C-9	27010-0025	F-4	36001-0040-4P	F-14
12021-1130	B-4	130L0830	G-13	14073-0013	B-6	21176-2106	C-9	27010-1094	F-8	36001-0041-4P	F-14
12032-0008	B-8	130P0645	B-3	14073-0036	B-6	21181-0001	G-7	27010-1313	C-3	36014-0025	F-14
12048-0003	B-9	130V0610	G-6	14075-0001	C-14	220C0525	F-8	27010-1376	C-13	36040-0022-660	F-14
12053-1399	B-9	130Y0610	B-5	14079-0009	C-13	220C0540	F-8	27010-1443	C-14	36040-0022-723	F-14
12053-1473	B-9	13102-0007	B-11	14090-1482	F-6	220D0514	D-3	27010-1470	G-7	36040-0022-724	F-14
12053-1478	B-9	13107-0046	C-10	14090-1830	C-14	223D0410	C-7	27010-1479	G-7	39007-0006	E-7
120S0510	C-13	13107-1376	B-9	14091-0097	C-14	224C0408	G-5	27011-021	G-7	39060-0007	C-14
120S0512	G-7	13107-1377	C-13	14091-0105	B-4	23007-0039	G-5	27016-1115	G-7	39062-0013	C-14
120S0620	F-6	13107-1416	B-9	14091-0106	C-5	23007-0040	G-5	27016-5307	G-7	39062-0045	C-14
120S0620	F-8	13127-0008	B-12	14091-0234-4P	E-5	23007-0041	G-3	27016-5310	G-7	39062-1208	C-14
120S0830	F-8	13128-0005	B-12	14091-0283-4P	E-5	23007-0046	G-3	27045-5311	G-7	39062-1851	C-14

This catalog covers:
'05 ZR750-K1H

GRID NO.

L-14

This grid covers:

Numerical Parts Index

Part No.	Grid No.	Part No.	Grid No.	Part No.	Grid No.	Part No.	Grid No.	Part No.	Grid No.	Part No.	Grid No.
39062-1914	C-14	43027-1055	F-4	46012-1340	F-8	54011-0024	F-13	59256-1074	C-10	92015-1189	E-4
39062-1916	C-14	43028-1057	F-6	46019-0001	F-8	54012-0152	F-13	59502-0008	C-14	92015-1197	F-8
39110-1131	B-14	43028-1058	F-4	46075-0031	E-5	54012-0153	F-13	600A0500	B-12	92015-1221	E-9
39111-0017	E-7	43034-1053	F-4	46075-0032	E-5	54017-0023	F-13	600A0800	E-8	92015-1233	F-4
39154-0001	G-13	43034-1149	F-7	46075-1144	F-8	55020-0061	E-6	601B6004UU	E-12	92015-1311	B-10
39156-0018	C-14	43044-1110	F-7	46076-1180	F-8	55020-0185	C-9	601B6204UU	E-13	92015-1335	E-13
39156-0024	F-14	43044-1115	F-5	46091-0030	F-8	55020-0187	C-9	601B6205UU	E-13	92015-1386	G-13
39156-0099	G-13	43044-1116	F-5	46091-1891	F-8	55020-1691	F-9	610A0406	B-13	92015-1487	C-14
39156-0100	G-13	43048-1073	F-5	46092-1162	F-8	55028-0041-8J	G-13	670B2021	D-3	92015-1531	C-14
39156-0101	G-13	43049-1068	F-5	46102-1449	B-11	55028-0042-660	G-13	670D1505	C-3	92015-1555	B-11
39156-0104	G-13	43049-1092	F-5	461K0500	C-13	55028-0042-723	G-13	670D1509	B-9	92015-1602	G-3
39156-0105	G-13	43049-1097	F-7	480J1100	C-10	55028-0042-724	G-13	670D2014	B-9	92015-1603	E-9
39156-0106	G-13	43056-1054	F-5	481J3000	C-5	55028-0043-660	G-13	670E5075	C-8	92015-1623	C-13
39156-0107	G-13	43056-1054	F-7	482J0200	B-14	55028-0043-723	G-13	671B2560	E-13	92015-1700	E-5
39178-0029	B-7	43057-003	F-5	482L0100	E-8	55028-0043-724	G-13	671B2565	C-10	92015-1724	E-6
39192-0012	C-14	43057-003	F-7	49002-1116	B-3	55028-0044	G-13	702A06750	F-10	92015-1757	F-14
39192-0015	C-14	43064-007	F-4	49006-1054	F-5	55028-0045	G-13	92001-1618	E-4	92015-1757	G-13
39192-1151	C-14	43067-001	F-4	49006-1054	F-7	55028-0049	G-13	92001-1998	C-7	92015-1757	G-4
39193-0014	C-3	43067-001	F-6	49006-1095	F-5	550D2015	F-6	92002-1086	C-14	92015-1962	F-8
41009-0018	E-11	43078-1165	F-6	49006-1095	F-7	550D2512	E-8	92002-1143	B-3	92022-077	C-10
41009-0082	E-11	43078-1187	C-14	49006-1212	F-7	550D4035	E-13	92002-1154	C-10	92022-1088	F-8
41068-0023	E-13	43080-5015-DJ	F-5	49016-0005	G-6	551A0408	C-10	92002-1183	E-7	92022-1109	B-12
41068-0038	E-12	43080-5017-DJ	F-5	49016-1044	F-4	551A0814	C-5	92002-1322	F-4	92022-112	B-12
41073-0009-2A	E-13	43080-5061-DJ	F-7	49016-1209	G-3	56001-0037	G-13	92002-1323	F-4	92022-1143	E-5
41073-0015-2A	E-12	43082-0044	F-5	49033-0005	C-7	56001-0038	G-13	92002-1337	E-4	92022-1143	F-14
41075-0007	E-11	43082-0045	F-5	49034-0004	C-6	56007-0007	G-8	92002-1449	C-3	92022-1298	F-9
41075-0008	E-11	43082-1213	F-7	49040-0009	C-8	56008-1075	G-8	92002-1696	B-13	92022-1405	F-14
41075-0009	E-11	43084-003	F-5	49047-0010	B-13	56019-108-660	G-8	92002-1756	B-3	92022-1521	G-13
41080-0037	F-7	43084-003	F-7	49054-1067	C-14	56019-108-723	G-8	92002-1778	C-3	92022-1581	G-4
41080-0045-S6	F-5	43094-1053	F-8	49056-0001	C-7	56019-108-724	G-8	92002-1796	C-5	92022-1582	E-6
410B0600	E-8	43095-0079	F-4	49063-1055	C-10	56019-120	G-8	92002-1831	G-4	92022-1601	F-6
410F0600	F-8	43095-0116	F-4	49065-1078	C-10	56031-1441	G-9	92002-1935	E-10	92022-1628	B-14
42033-0003	E-13	43095-0117	F-6	49078-0023	B-8	56033-0022	C-5	92004-1249	B-3	92022-1868	B-11
42036-1251	E-13	43095-1292	F-6	49085-1066	C-14	56033-0046	G-9	92004-1275	E-13	92022-289	B-7
42036-1264	E-6	44005-0032	F-9	49118-0010	B-9	56033-0082	G-9	92005-1238	C-3	92022-304	B-5
42036-1342	E-7	44006-0031	F-9	49118-0011	B-9	56033-1284	G-9	92009-1134	F-8	92022-304	C-10
42036-1344	E-7	44013-0038	F-9	51044-1233	C-8	56052-0154	G-10	92009-1138	G-7	92026-022	B-11
42036-1360	E-7	44023-0009	F-9	51049-0008	F-10	56052-0154	G-11	92009-1158	F-12	92026-1497	B-11
42041-0010	E-13	44026-0063	F-9	51083-5392-660	F-10	56052-0154	G-12	92009-1158	G-5	92027-1780	F-10
42045-018	E-13	44029-0003	F-9	51083-5393-723	F-10	56052-0495	G-10	92009-1257	F-8	92027-1920	C-11
43010-1062	F-6	44037-0028	F-9	51083-5394-724	F-10	56052-0495	G-11	92009-1378	G-4	92028-1735	B-12
43015-0011	F-4	44039-0021	F-9	52005-1120	C-5	56052-0495	G-12	92009-1404	E-8	92028-1739	B-12
43015-1706	F-6	44041-040	F-9	52005-1160	F-10	56052-0538	G-11	92009-1458	F-4	92028-1827	B-10
43020-1054	F-4	44065-1115	F-9	53003-0041-MA	F-11	56052-0539	G-10	92009-1621	B-6	92028-1828	B-10
43020-1094	F-6	44065-1128	F-9	53044-0001	C-9	56052-0541	G-12	92009-1653	E-9	92028-1829	B-10
43020-1119	F-7	44075-0059	F-9	53044-0001	F-14	56070-1143	G-9	92009-1909	G-13	92028-1866	B-10
43022-1010	F-4	45014-0080	F-3	53044-0009	G-13	59026-0007	C-12	92015-1094	G-3	92028-1867	B-10
43026-1051	F-6	46003-0071	F-8	53044-1303	E-5	59051-0037	C-13	92015-1174	G-13	92028-1868	B-10
43026-1076	F-4	46012-1338	F-8	53066-0064-MA	F-11	59071-0014	C-7	92015-1180	E-4	92028-1915	B-12
43027-1051	F-6	46012-1339	F-8	54010-0029	F-13	59071-3752	C-7	92015-1188	E-10	92028-1968	B-12

This catalog covers:
'05 ZR750-K1H

GRID NO.

L-15

This grid covers:

Numerical Parts Index

Part No.	Grid No.	Part No.	Grid No.	Part No.	Grid No.	Part No.	Grid No.	Part No.	Grid No.	Part No.	Grid No.
92033-015	B-12	92046-1272	E-7	92066-1184	E-3	92110-1153	G-8	92150-1869	B-14	92153-0410	E-5
92033-026	B-12	92046-1273	E-7	92066-1211	B-6	92110-1156	G-8	92151-1134	B-9	92153-0417	F-4
92033-1036	F-9	92046-1303	B-12	92066-1216	F-8	92111-1051	G-8	92151-1149	E-6	92153-0424	C-10
92033-1041	E-6	92048-1114	C-13	92066-3780	B-9	92112-1001	G-8	92151-1216	G-7	92153-0474	E-3
92033-1043	E-13	92049-0022	E-3	92069-0003	G-5	92126-004	G-8	92151-1222	C-4	92153-0489	G-13
92033-1099	B-5	92049-1056	E-13	92069-1016	G-3	92127-003	G-8	92151-1223	C-4	92153-0492	F-10
92033-1186	F-6	92049-1181	E-6	92069-1055	G-4	92139-0067	B-11	92151-1226	B-14	92153-0506	F-9
92033-1249	B-12	92049-1203	E-12	92069-1110	F-12	92139-1090	B-12	92151-1226	C-11	92153-0526	B-7
92037-010	F-10	92049-1223	E-7	92069-1113	F-12	92139-1108	B-10	92151-1289	F-7	92153-0549	C-12
92037-1069	G-6	92049-1308	B-8	92069-1126	G-3	92139-1109	B-10	92151-1305	C-5	92153-0559	E-4
92037-1163	G-6	92049-1336	C-10	92070-1264	C-12	92139-1110	B-10	92151-1318	E-7	92153-0587	F-5
92037-1460	B-6	92049-1380	E-6	92070-1265	C-12	92143-1353	C-14	92151-1335	C-13	92153-0589	E-9
92037-147	B-6	92049-1474	C-3	92071-1120	C-13	92071-1353	G-3	92151-1357	F-9	92153-0601	C-5
92037-147	C-14	92049-1475	C-5	92071-1187	C-11	92143-1379	F-8	92151-1372	E-5	92153-0602	B-4
92037-1547	F-6	92049-1483	E-3	92071-2140	B-6	92143-1595	B-14	92151-1378	C-4	92153-0603	D-3
92037-1679	C-10	92049-1492	B-14	92072-0012	C-7	92143-1962	C-14	92151-1411	C-11	92153-0605	C-10
92037-1827	F-4	92049-1493	E-7	92072-1195	G-6	92144-1451	C-7	92151-1530	G-13	92153-0606	C-10
92037-1827	G-6	92049-1494	F-9	92072-1237	G-6	92144-1467	F-8	92151-1539	C-4	92153-0607	C-10
92037-1903	G-6	92049-1520	C-3	92072-1349	E-5	92144-1567	E-8	92151-1546	C-6	92153-0608	C-5
92038-1060	C-11	92052-006	E-13	92075-015	F-10	92144-1719	F-7	92151-1599	F-10	92153-0609	C-5
92039-0015	F-14	92055-049	C-5	92075-101	F-10	92144-1831	F-5	92151-1601	E-7	92153-0610	B-4
92039-0023	G-13	92055-086	B-9	92075-1011	F-14	92144-1832	F-5	92151-1626	C-11	92153-0627	F-4
92039-1286	E-9	92055-112	C-14	92075-1011	G-13	92144-1844	F-5	92151-1653	C-11	92153-0627	F-6
92041-1060	F-8	92055-1251	F-6	92075-1067	F-14	92144-1854	B-11	92151-1654	E-5	92153-0628	F-4
92042-007	C-5	92055-1260	C-13	92075-1123	C-11	92144-1857	B-14	92151-1654	F-14	92153-0649	F-9
92042-014	C-10	92055-1261	C-13	92075-1123	C-14	92144-1898	B-11	92151-1774	C-14	92153-0684	G-4
92043-0019	E-8	92055-1262	C-13	92075-1435	F-12	92145-0066	B-11	92151-1774	C-9	92153-0896	B-14
92043-1037	C-3	92055-1321	F-9	92075-1634	C-14	92145-0085	E-10	92151-1802	E-10	92153-0906	C-9
92043-1262	C-10	92055-1350	C-14	92075-1690	G-13	92145-1090	E-14	92151-1930	B-9	92153-0966	E-5
92043-1263	B-3	92055-1352	B-4	92075-1736	F-10	92145-1122	B-14	92151-1930	C-13	92153-1098	E-4
92043-1263	C-10	92055-1401	B-3	92075-1927	F-11	92145-1159	B-11	92151-1946	G-7	92153-1244	F-14
92043-1263	C-5	92055-1503	C-10	92075-1964	E-9	92145-1319	E-8	92151-1997	C-14	92153-1244	G-13
92043-1303	F-6	92055-1570	C-5	92081-1620	C-7	92150-1114	E-8	92152-0068	E-12	92153-1267	E-5
92043-1489	F-5	92055-1571	C-10	92081-1708	B-14	92150-1186	C-14	92152-0069	E-12	92153-1267	E-9
92043-1489	F-7	92055-1622	C-7	92086-1075	E-5	92150-1216	B-10	92152-0070	E-13	92153-1283	C-8
92043-1575	C-9	92055-1639	C-9	92092-1058	F-3	92150-1237	C-13	92152-0092	F-14	92160-1089	G-13
92043-1641	E-8	92055-3018	C-10	92092-1087	B-7	92150-1251	C-4	92152-0092	G-4	92160-1863	D-3
92043-1690	C-3	92057-0079	E-13	92093-0002	B-6	92150-1268	E-8	92152-0118	E-13	92160-1868	C-3
92043-4009	B-3	92057-1453	B-9	92093-1472	F-9	92150-1368	B-3	92152-0136	E-6	92161-0036	G-3
92043-4009	B-4	92058-0002	E-13	92093-1583	B-6	92150-1483	C-4	92152-0177	B-12	92161-0037	F-8
92045-0003	B-12	92065-058	B-13	92104-1063	G-8	92150-1548	C-4	92152-0279	F-9	92161-0041	C-9
92045-0017	E-6	92065-097	C-6	92106-1001	G-8	92150-1622	C-4	92152-0288	G-7	92161-0050	F-11
92045-1045	B-13	92065-097	C-9	92107-005	G-8	92150-1645	C-9	92152-0304	F-14	92161-0058	E-13
92045-1235	B-11	92066-0002	B-3	92107-1051	G-8	92150-1755	B-3	92152-1162	E-13	92161-0063	E-5
92045-1384	E-3	92066-0003	C-3	92110-0001	G-8	92150-1771	F-5	92152-1167	B-9	92161-0148	E-5
92046-0008	E-6	92066-0032	F-9	92110-1132	G-8	92150-1771	F-7	92152-1383	B-14	92161-0191	G-4
92046-037	C-3	92066-1077	F-4	92110-1144	G-8	92150-1794	C-4	92152-1458	G-4	92161-0206	C-9
92046-1010	C-5	92066-1077	F-8	92110-1147	G-8	92150-1829	E-9	92153-0332	B-11	92161-0211	E-5
92046-1219	B-12	92066-1110	C-3	92110-1148	G-8	92150-1841	C-14	92153-0343	E-7	92161-0240	G-7
92046-1263	B-11	92066-1174	C-6	92110-1152	G-8	92150-1843	F-6	92153-0377	C-9	92161-0257	G-7

This catalog covers:

'05 ZR750-K1H

GRID NO.

B-16

This grid covers:

Part Name Index

Air Cleaner.....	B-6
Brake Pedal.....	E-14
Cables.....	F-13
Camshaft(s).....	B-9
Chain Cover.....	F-14
Chassis Electrical Equipment.....	G-6
Clutch.....	B-11
Cowling.....	G-13
Crankcase.....	C-3
Crankcase Bolt Pattern.....	C-4
Crankshaft.....	B-10
Cylinder.....	B-5
Cylinder Head.....	B-3
Cylinder Head Cover.....	B-4
Decals(Black).....	G-11
Decals(Blue).....	G-10
Decals(Red).....	G-12
Engine Cover(s).....	C-5
Engine Mount.....	E-4
Fenders.....	E-9
Footrests.....	E-8
Frame.....	E-3
Frame Fittings.....	E-5
Front Brake.....	F-5
Front Fork.....	F-9
Front Hub.....	E-12
Front Master Cylinder.....	F-4
Fuel Injection.....	C-9
Fuel Pump.....	C-8
Fuel Tank.....	F-10
Gear Change Drum.....	B-13
Gear Change Mechanism.....	B-14

Generator.....	C-11
Handlebar.....	F-8
Headlight(s).....	G-3
Ignition Switch.....	G-7
Ignition System.....	C-12
Labels.....	G-9
Manual.....	G-14
Meter(s).....	F-12
Muffler(s).....	B-7
Oil Pan.....	C-6
Oil Pump.....	C-10
Owner's Tools.....	G-8
Piston(s).....	B-5
Radiator.....	C-14/D-3
Rear Brake.....	F-7
Rear Hub.....	E-13
Rear Master Cylinder.....	F-6
Seat.....	F-11
Shift Fork(s).....	B-13
Shock Absorber(s).....	F-3
Side Covers.....	F-14
Stand(s).....	E-10
Starter Motor.....	C-13
Suspension.....	E-7
Swingarm.....	E-6
Taillight(s).....	G-4
Tensioner.....	B-9
Throttle.....	C-7
Tires.....	E-11
Transmission.....	B-12
Turn Signals.....	G-5
Valve(s).....	B-8

This catalog covers:

'05 ZR750-K1H

GRID NO.

C-16

This grid covers:

Part Name Index

Air Cleaner.....	B-6
Brake Pedal.....	E-14
Cables.....	F-13
Camshaft(s).....	B-9
Chain Cover.....	F-14
Chassis Electrical Equipment.....	G-6
Clutch.....	B-11
Cowling.....	G-13
Crankcase.....	C-3
Crankcase Bolt Pattern.....	C-4
Crankshaft.....	B-10
Cylinder.....	B-5
Cylinder Head.....	B-3
Cylinder Head Cover.....	B-4
Decals(Black).....	G-11
Decals(Blue).....	G-10
Decals(Red).....	G-12
Engine Cover(s).....	C-5
Engine Mount.....	E-4
Fenders.....	E-9
Footrests.....	E-8
Frame.....	E-3
Frame Fittings.....	E-5
Front Brake.....	F-5
Front Fork.....	F-9
Front Hub.....	E-12
Front Master Cylinder.....	F-4
Fuel Injection.....	C-9
Fuel Pump.....	C-8
Fuel Tank.....	F-10
Gear Change Drum.....	B-13
Gear Change Mechanism.....	B-14

Generator.....	C-11
Handlebar.....	F-8
Headlight(s).....	G-3
Ignition Switch.....	G-7
Ignition System.....	C-12
Labels.....	G-9
Manual.....	G-14
Meter(s).....	F-12
Muffler(s).....	B-7
Oil Pan.....	C-6
Oil Pump.....	C-10
Owner's Tools.....	G-8
Piston(s).....	B-5
Radiator.....	C-14/D-3
Rear Brake.....	F-7
Rear Hub.....	E-13
Rear Master Cylinder.....	F-6
Seat.....	F-11
Shift Fork(s).....	B-13
Shock Absorber(s).....	F-3
Side Covers.....	F-14
Stand(s).....	E-10
Starter Motor.....	C-13
Suspension.....	E-7
Swingarm.....	E-6
Taillight(s).....	G-4
Tensioner.....	B-9
Throttle.....	C-7
Tires.....	E-11
Transmission.....	B-12
Turn Signals.....	G-5
Valve(s).....	B-8

This catalog covers:

'05 ZR750-K1H

GRID NO.

D-16

This grid covers:

Part Name Index

Air Cleaner.....	B-6
Brake Pedal.....	E-14
Cables.....	F-13
Camshaft(s).....	B-9
Chain Cover.....	F-14
Chassis Electrical Equipment.....	G-6
Clutch.....	B-11
Cowling.....	G-13
Crankcase.....	C-3
Crankcase Bolt Pattern.....	C-4
Crankshaft.....	B-10
Cylinder.....	B-5
Cylinder Head.....	B-3
Cylinder Head Cover.....	B-4
Decals(Black).....	G-11
Decals(Blue).....	G-10
Decals(Red).....	G-12
Engine Cover(s).....	C-5
Engine Mount.....	E-4
Fenders.....	E-9
Footrests.....	E-8
Frame.....	E-3
Frame Fittings.....	E-5
Front Brake.....	F-5
Front Fork.....	F-9
Front Hub.....	E-12
Front Master Cylinder.....	F-4
Fuel Injection.....	C-9
Fuel Pump.....	C-8
Fuel Tank.....	F-10
Gear Change Drum.....	B-13
Gear Change Mechanism.....	B-14

Generator.....	C-11
Handlebar.....	F-8
Headlight(s).....	G-3
Ignition Switch.....	G-7
Ignition System.....	C-12
Labels.....	G-9
Manual.....	G-14
Meter(s).....	F-12
Muffler(s).....	B-7
Oil Pan.....	C-6
Oil Pump.....	C-10
Owner's Tools.....	G-8
Piston(s).....	B-5
Radiator.....	C-14/D-3
Rear Brake.....	F-7
Rear Hub.....	E-13
Rear Master Cylinder.....	F-6
Seat.....	F-11
Shift Fork(s).....	B-13
Shock Absorber(s).....	F-3
Side Covers.....	F-14
Stand(s).....	E-10
Starter Motor.....	C-13
Suspension.....	E-7
Swingarm.....	E-6
Taillight(s).....	G-4
Tensioner.....	B-9
Throttle.....	C-7
Tires.....	E-11
Transmission.....	B-12
Turn Signals.....	G-5
Valve(s).....	B-8

This catalog covers:

'05 ZR750-K1H

GRID NO.

E-16

This grid covers:

Part Name Index

Air Cleaner.....	B-6
Brake Pedal.....	E-14
Cables.....	F-13
Camshaft(s).....	B-9
Chain Cover.....	F-14
Chassis Electrical Equipment.....	G-6
Clutch.....	B-11
Cowling.....	G-13
Crankcase.....	C-3
Crankcase Bolt Pattern.....	C-4
Crankshaft.....	B-10
Cylinder.....	B-5
Cylinder Head.....	B-3
Cylinder Head Cover.....	B-4
Decals(Black).....	G-11
Decals(Blue).....	G-10
Decals(Red).....	G-12
Engine Cover(s).....	C-5
Engine Mount.....	E-4
Fenders.....	E-9
Footrests.....	E-8
Frame.....	E-3
Frame Fittings.....	E-5
Front Brake.....	F-5
Front Fork.....	F-9
Front Hub.....	E-12
Front Master Cylinder.....	F-4
Fuel Injection.....	C-9
Fuel Pump.....	C-8
Fuel Tank.....	F-10
Gear Change Drum.....	B-13
Gear Change Mechanism.....	B-14

Generator.....	C-11
Handlebar.....	F-8
Headlight(s).....	G-3
Ignition Switch.....	G-7
Ignition System.....	C-12
Labels.....	G-9
Manual.....	G-14
Meter(s).....	F-12
Muffler(s).....	B-7
Oil Pan.....	C-6
Oil Pump.....	C-10
Owner's Tools.....	G-8
Piston(s).....	B-5
Radiator.....	C-14/D-3
Rear Brake.....	F-7
Rear Hub.....	E-13
Rear Master Cylinder.....	F-6
Seat.....	F-11
Shift Fork(s).....	B-13
Shock Absorber(s).....	F-3
Side Covers.....	F-14
Stand(s).....	E-10
Starter Motor.....	C-13
Suspension.....	E-7
Swingarm.....	E-6
Taillight(s).....	G-4
Tensioner.....	B-9
Throttle.....	C-7
Tires.....	E-11
Transmission.....	B-12
Turn Signals.....	G-5
Valve(s).....	B-8

This catalog covers:

'05 ZR750-K1H

GRID NO.

F-16

This grid covers:

Part Name Index

Air Cleaner.....	B-6
Brake Pedal.....	E-14
Cables.....	F-13
Camshaft(s).....	B-9
Chain Cover.....	F-14
Chassis Electrical Equipment.....	G-6
Clutch.....	B-11
Cowling.....	G-13
Crankcase.....	C-3
Crankcase Bolt Pattern.....	C-4
Crankshaft.....	B-10
Cylinder.....	B-5
Cylinder Head.....	B-3
Cylinder Head Cover.....	B-4
Decals(Black).....	G-11
Decals(Blue).....	G-10
Decals(Red).....	G-12
Engine Cover(s).....	C-5
Engine Mount.....	E-4
Fenders.....	E-9
Footrests.....	E-8
Frame.....	E-3
Frame Fittings.....	E-5
Front Brake.....	F-5
Front Fork.....	F-9
Front Hub.....	E-12
Front Master Cylinder.....	F-4
Fuel Injection.....	C-9
Fuel Pump.....	C-8
Fuel Tank.....	F-10
Gear Change Drum.....	B-13
Gear Change Mechanism.....	B-14

Generator.....	C-11
Handlebar.....	F-8
Headlight(s).....	G-3
Ignition Switch.....	G-7
Ignition System.....	C-12
Labels.....	G-9
Manual.....	G-14
Meter(s).....	F-12
Muffler(s).....	B-7
Oil Pan.....	C-6
Oil Pump.....	C-10
Owner's Tools.....	G-8
Piston(s).....	B-5
Radiator.....	C-14/D-3
Rear Brake.....	F-7
Rear Hub.....	E-13
Rear Master Cylinder.....	F-6
Seat.....	F-11
Shift Fork(s).....	B-13
Shock Absorber(s).....	F-3
Side Covers.....	F-14
Stand(s).....	E-10
Starter Motor.....	C-13
Suspension.....	E-7
Swingarm.....	E-6
Taillight(s).....	G-4
Tensioner.....	B-9
Throttle.....	C-7
Tires.....	E-11
Transmission.....	B-12
Turn Signals.....	G-5
Valve(s).....	B-8

This catalog covers:

'05 ZR750-K1H

GRID NO.

G-16

This grid covers:

Part Name Index

Air Cleaner.....	B-6
Brake Pedal.....	E-14
Cables.....	F-13
Camshaft(s).....	B-9
Chain Cover.....	F-14
Chassis Electrical Equipment.....	G-6
Clutch.....	B-11
Cowling.....	G-13
Crankcase.....	C-3
Crankcase Bolt Pattern.....	C-4
Crankshaft.....	B-10
Cylinder.....	B-5
Cylinder Head.....	B-3
Cylinder Head Cover.....	B-4
Decals(Black).....	G-11
Decals(Blue).....	G-10
Decals(Red).....	G-12
Engine Cover(s).....	C-5
Engine Mount.....	E-4
Fenders.....	E-9
Footrests.....	E-8
Frame.....	E-3
Frame Fittings.....	E-5
Front Brake.....	F-5
Front Fork.....	F-9
Front Hub.....	E-12
Front Master Cylinder.....	F-4
Fuel Injection.....	C-9
Fuel Pump.....	C-8
Fuel Tank.....	F-10
Gear Change Drum.....	B-13
Gear Change Mechanism.....	B-14

Generator.....	C-11
Handlebar.....	F-8
Headlight(s).....	G-3
Ignition Switch.....	G-7
Ignition System.....	C-12
Labels.....	G-9
Manual.....	G-14
Meter(s).....	F-12
Muffler(s).....	B-7
Oil Pan.....	C-6
Oil Pump.....	C-10
Owner's Tools.....	G-8
Piston(s).....	B-5
Radiator.....	C-14/D-3
Rear Brake.....	F-7
Rear Hub.....	E-13
Rear Master Cylinder.....	F-6
Seat.....	F-11
Shift Fork(s).....	B-13
Shock Absorber(s).....	F-3
Side Covers.....	F-14
Stand(s).....	E-10
Starter Motor.....	C-13
Suspension.....	E-7
Swingarm.....	E-6
Taillight(s).....	G-4
Tensioner.....	B-9
Throttle.....	C-7
Tires.....	E-11
Transmission.....	B-12
Turn Signals.....	G-5
Valve(s).....	B-8