

This catalog covers:

'06~'08 EX650 A6F/A7F/A8F

GRID NO.

A-1

This grid covers:

Title



PARTS CATALOG

'06~'08 EX650 A6F/A7F/A8F

(ER-6f)

Publications	A-2
Model Identification	A-4
Engine	B-1
Chassis	E-1

© Kawasaki Heavy Industries, Ltd. 2007

Engine No. Location:

Upper crankcase, front side

Year & Model

Color

VIN No. Range

Engine No. Range

'06 EX650A6F

- 1. Ebony (H8)
- 2. Galaxy Silver Type 2 (474)

JKAEX650AAA000001 ~ 018000

ER650AE000001 ~

'07 EX650A7F

- 1. Candy Plasma Blue (723)
- 2. Metallic Diablo Black (17K)

JKAEX650AAA018001 ~ 036000

ER650AE000001 ~

'08 EX650A8F

- 1. Lime Green (777)
- 2. Metallic Diablo Black (17K)

JKAEX650AAA036001 ~

ER650AE000001 ~

This catalog covers:

'06~'08 EX650 A6F/A7F/A8F

GRID NO.

A-2

This grid covers:

Publications

Year & Model	Owner's Manual	A&P Manual		Service Manual		Microfiche
		General	Supplement	Basic	Supplement	
2006 EX650A6F	Local Procurement 99986-1293	99931-1462-02		99924-1361-01		99912-1404-05
2007 EX650A7F	99976-1331 99986-1386	See above		99924-1361-02		See above
2008 EX650A8F	99976-1403(EN/FR/DE) 99976-1404(IT/ES/NL) 99986-1432	See above		See above		See above

This catalog covers:

'06~'08 EX650 A6F/A7F/A8F

GRID NO.

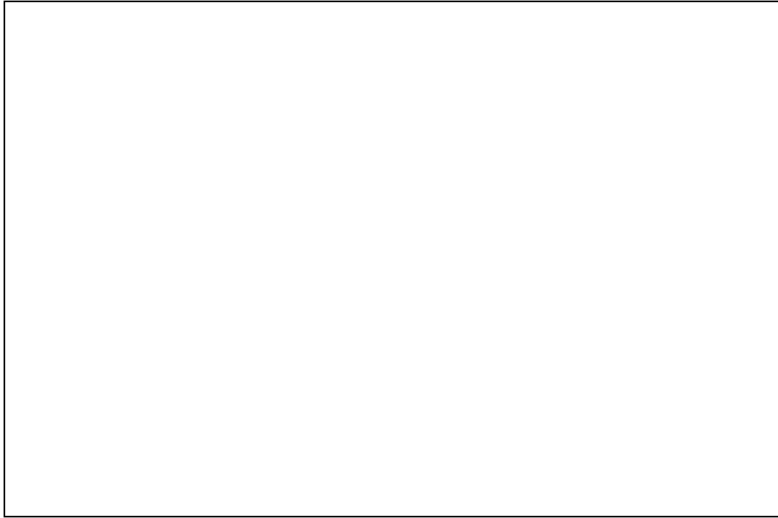
A-4

This grid covers:

Model I.D. '06~'07 EX650 A6F/A7F

EX650A6F

Left Side View

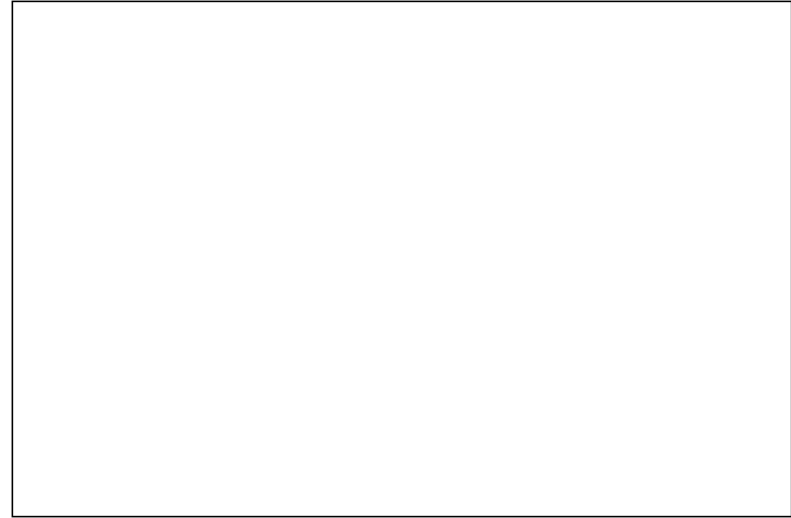


Right Side View

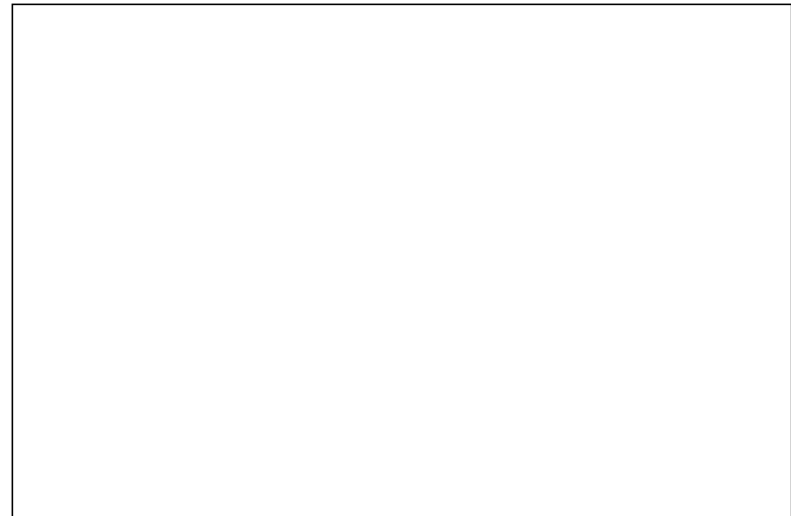


EX650A7F

Left Side View



Right Side View



This catalog covers:

'06~'08 EX650 A6F/A7F/A8F

GRID NO.

A-5

This grid covers:

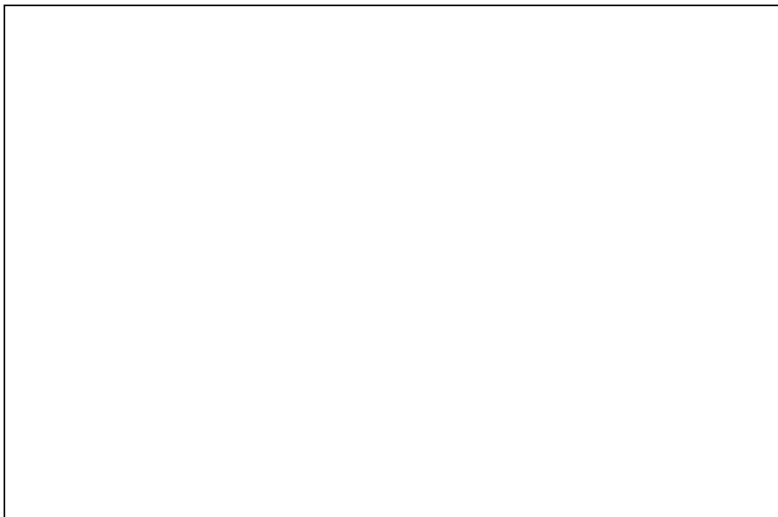
Model I.D. '08 EX650A8F

EX650A8F

Left Side View



Right Side View



This catalog covers:

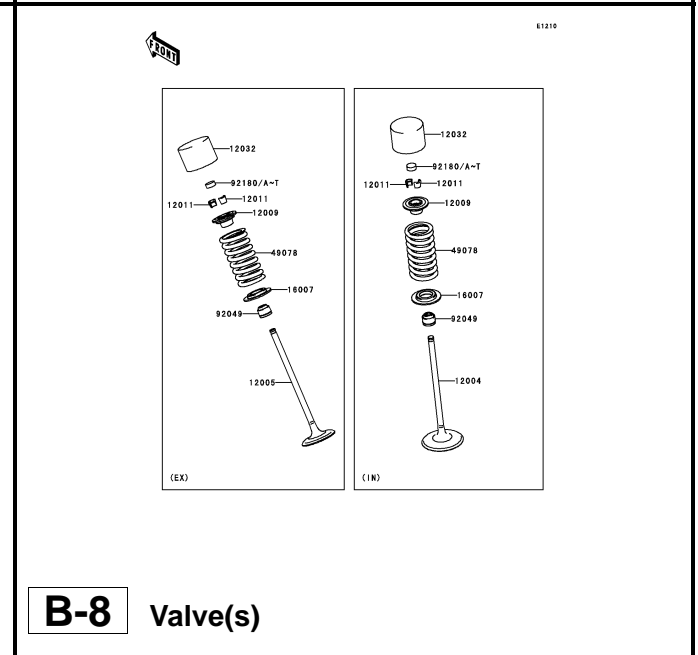
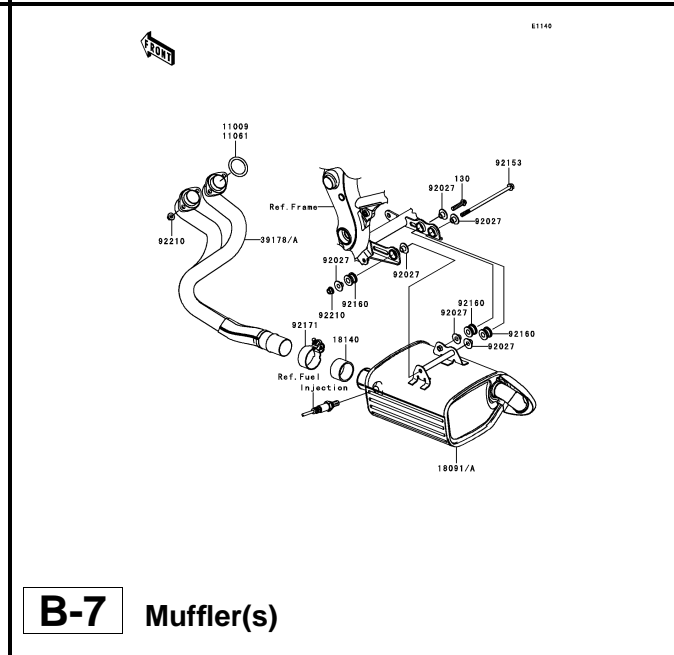
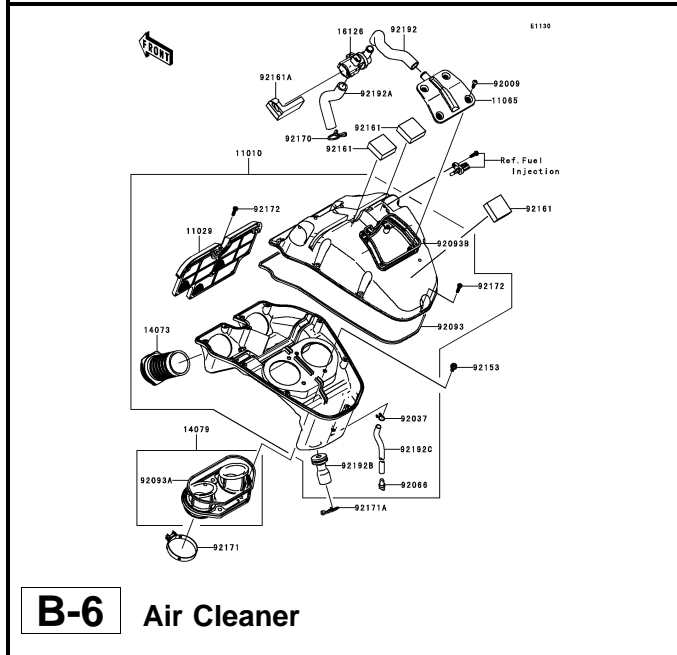
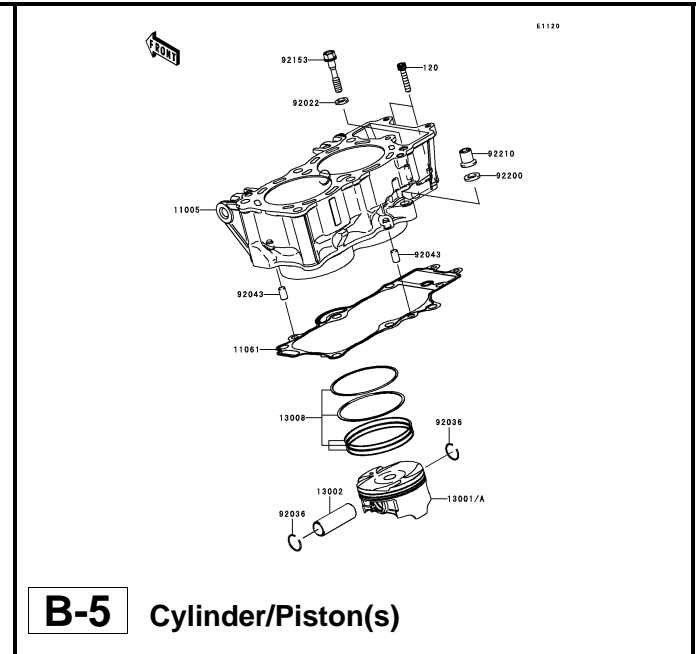
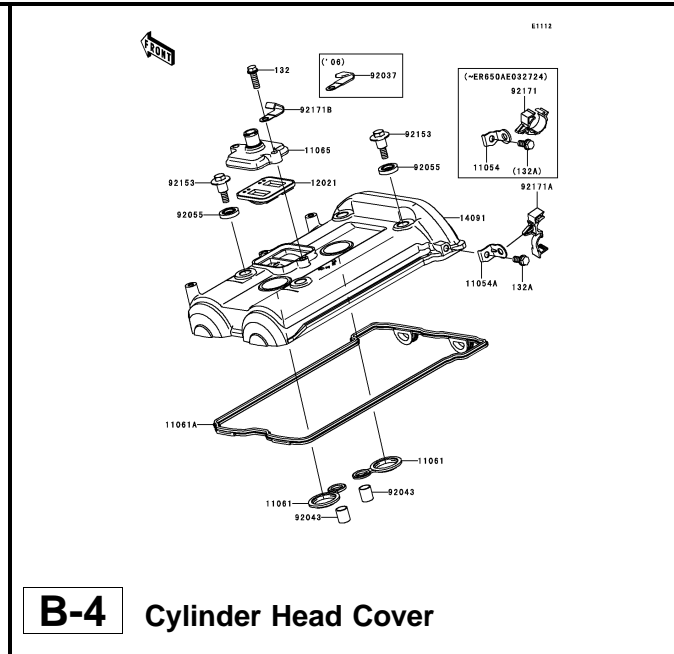
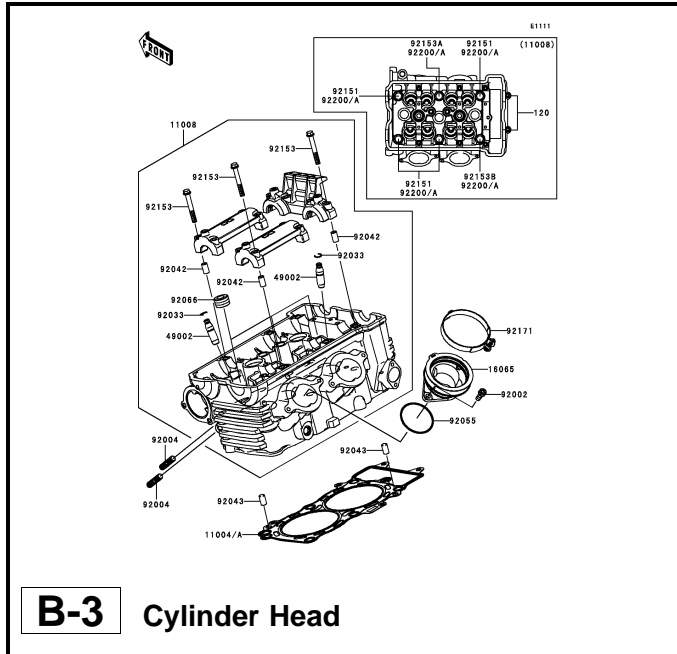
'06~'08 EX650 A6F/A7F/A8F Engine

GRID NO.

B-1

This grid covers:

Pictorial Index



This catalog covers:

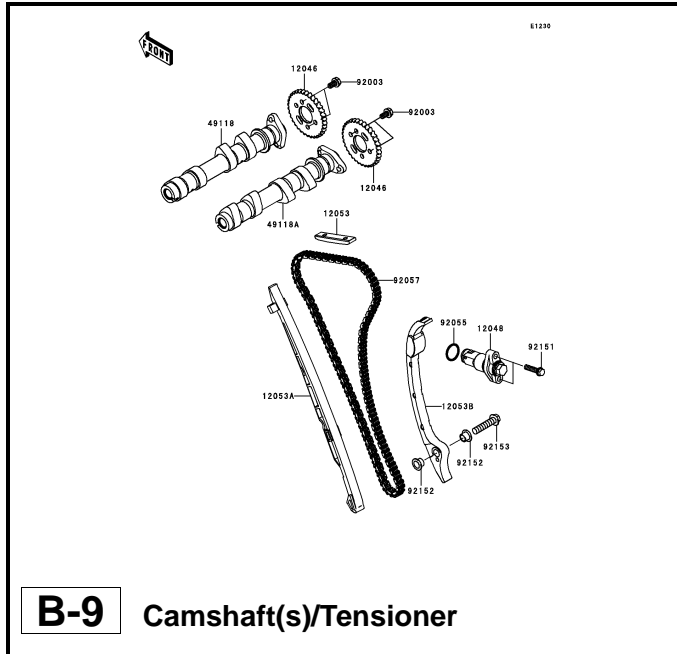
'06~'08 EX650 A6F/A7F/A8F Engine

GRID NO.

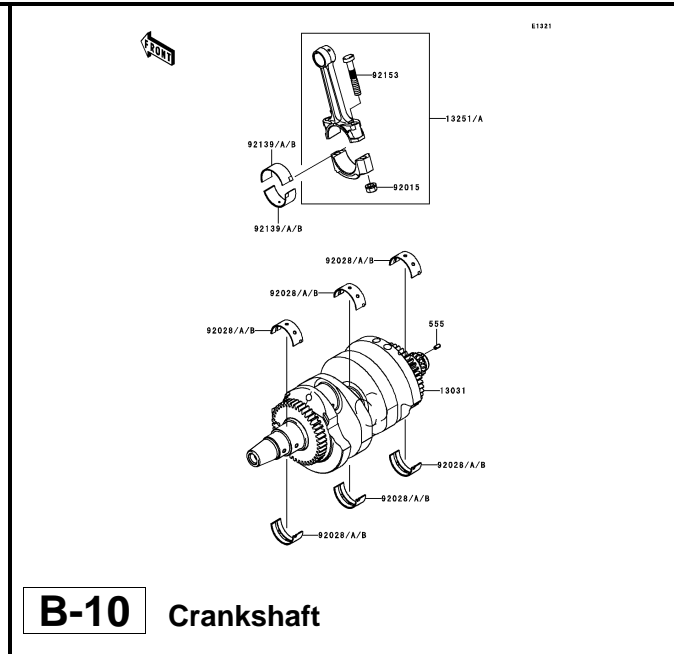
B-2

This grid covers:

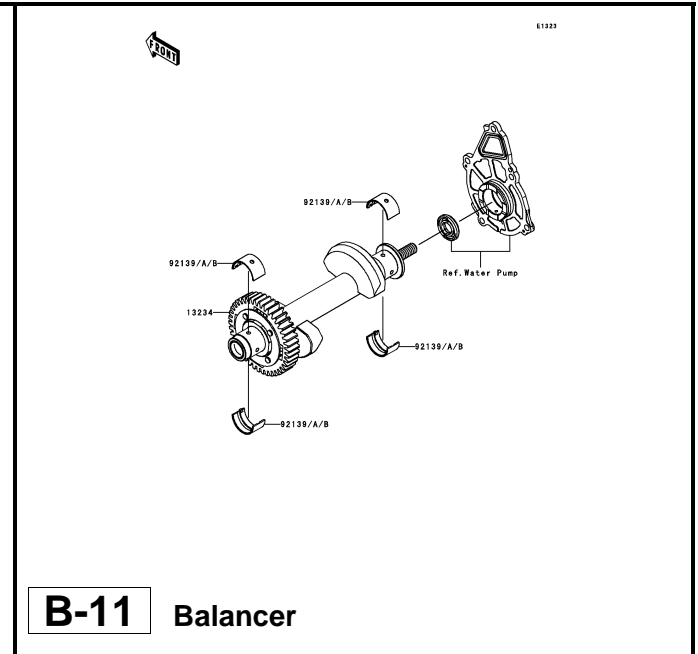
Pictorial Index



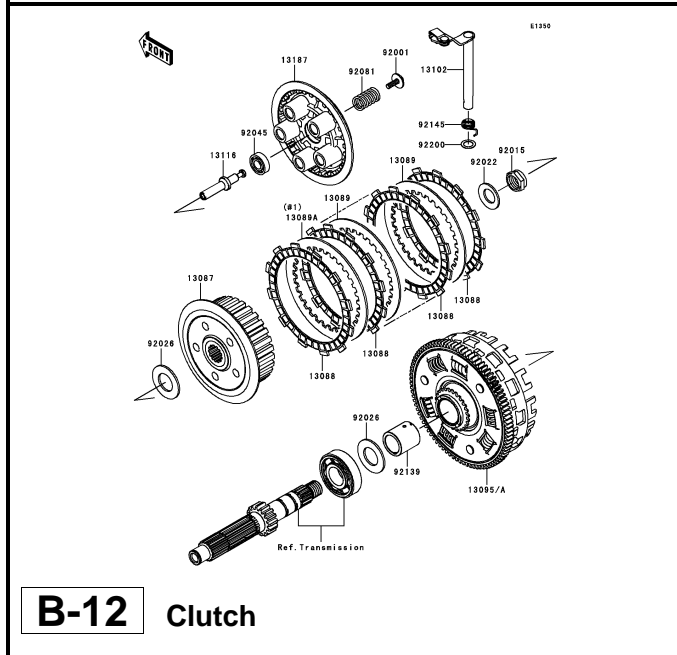
B-9 Camshaft(s)/Tensioner



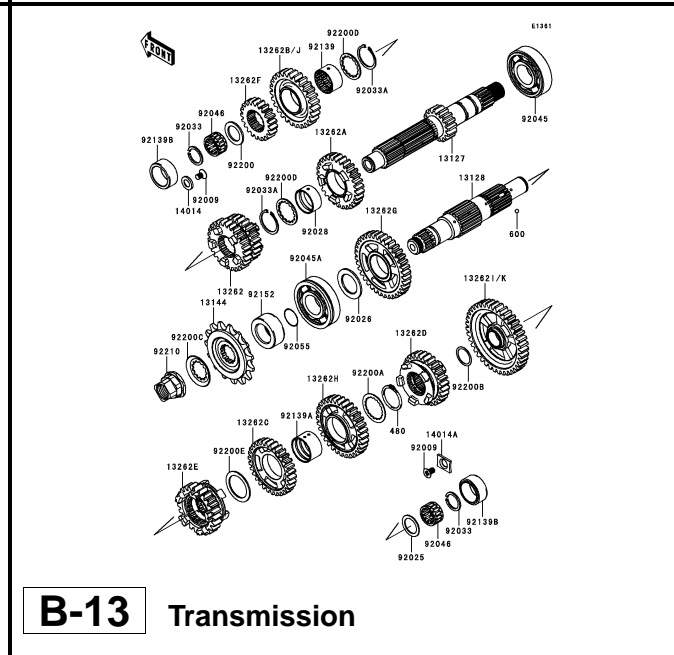
B-10 Crankshaft



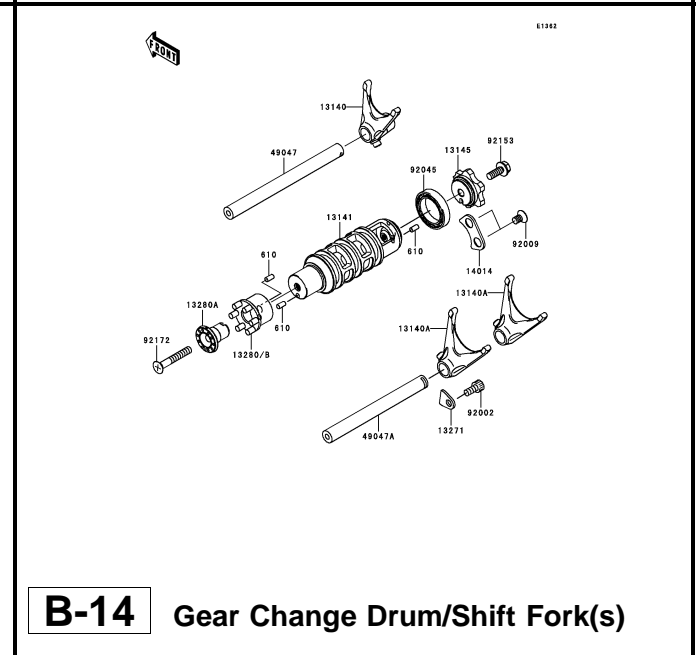
B-11 Balancer



B-12 Clutch



B-13 Transmission



B-14 Gear Change Drum/Shift Fork(s)

This catalog covers:

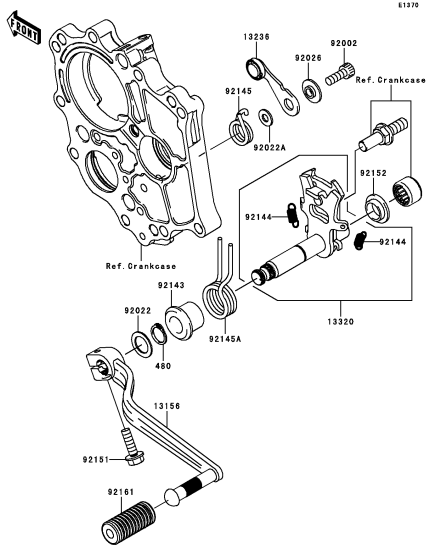
'06~'08 EX650 A6F/A7F/A8F Engine

GRID NO.

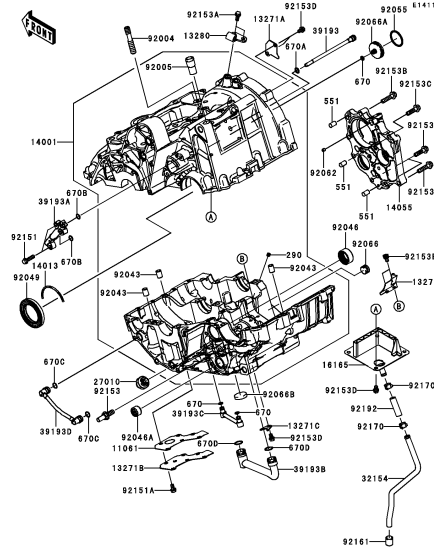
C-1

This grid covers:

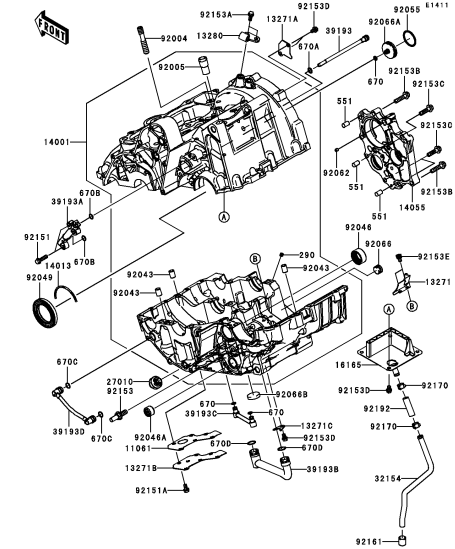
Pictorial Index



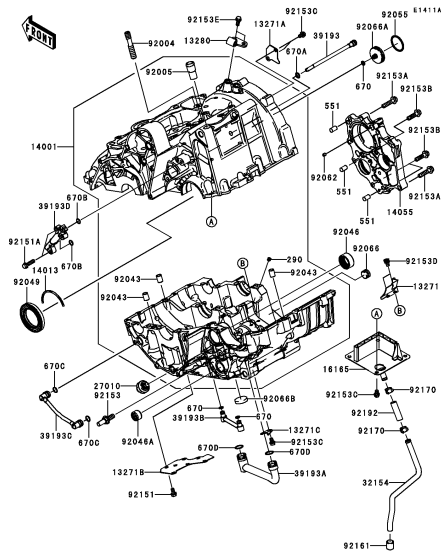
C-3 Gear Change Mechanism



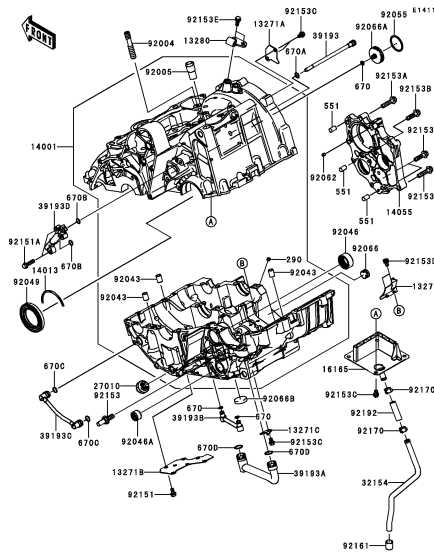
C-4 Crankcase(1/2)(~ER650AE057323)



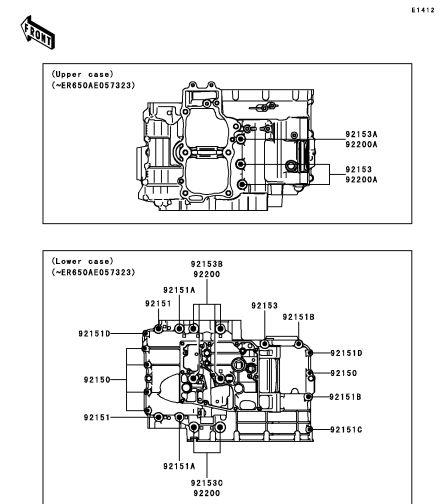
C-5 Crankcase(2/2)(~ER650AE057323)



C-6 Crankcase(1/2)(ER650AE057324~)



C-7 Crankcase(2/2)(ER650AE057324~)



C-8 Crankcase Bolt Pattern

This catalog covers:

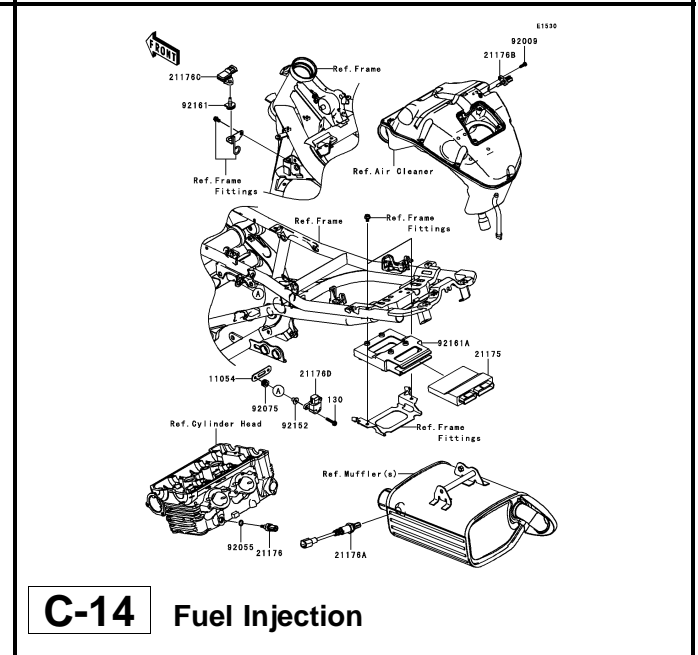
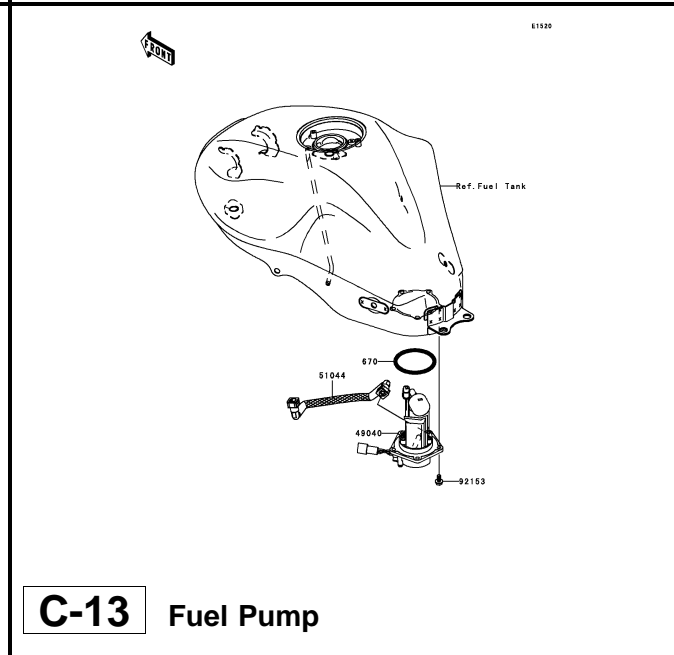
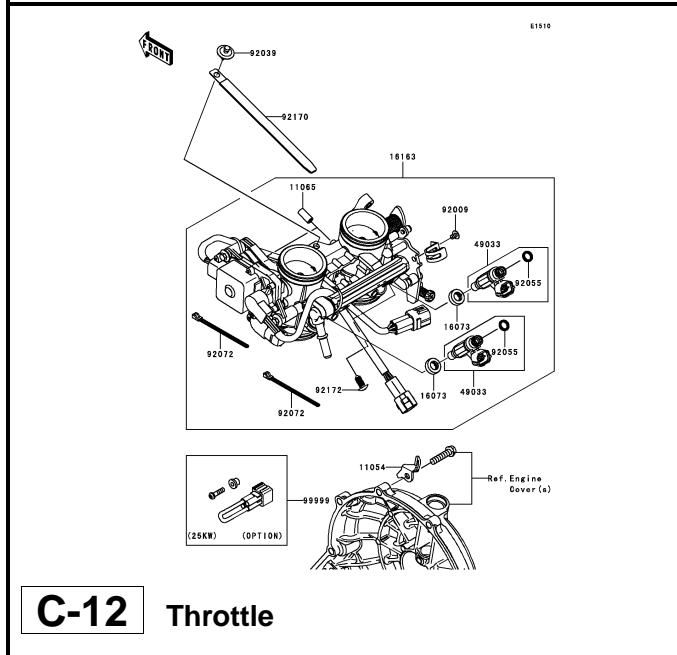
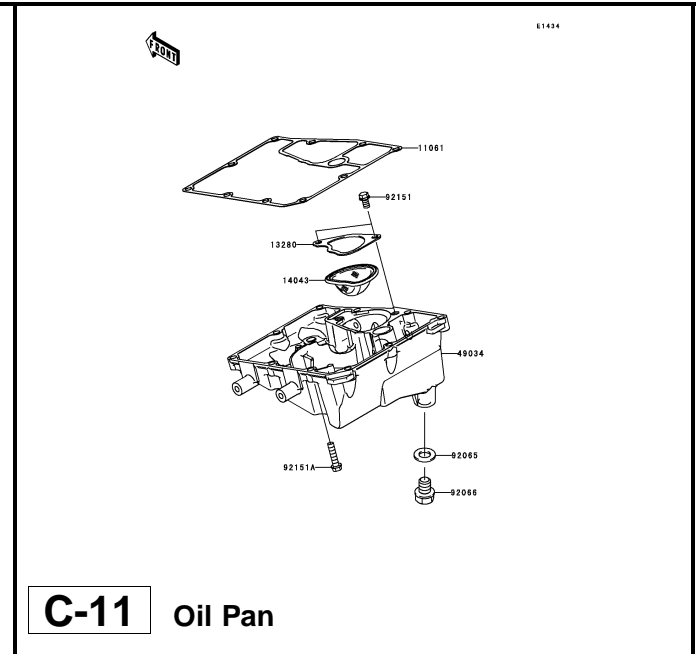
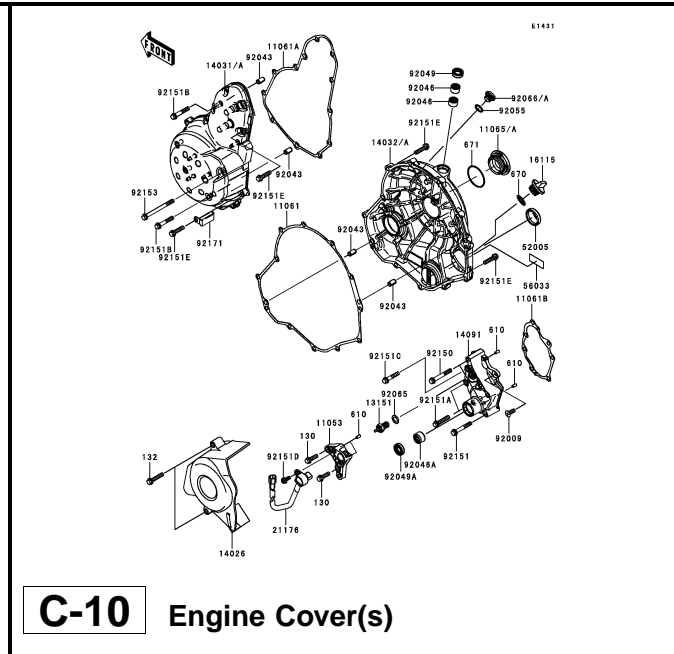
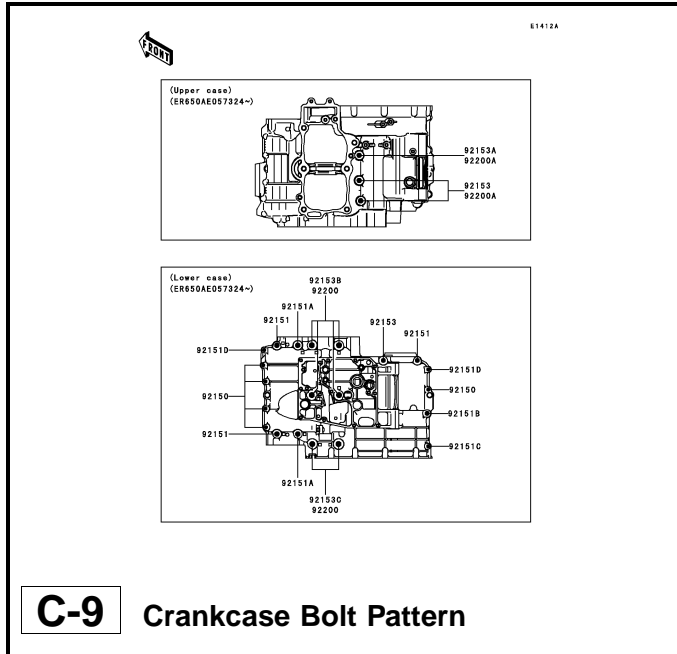
'06~'08 EX650 A6F/A7F/A8F Engine

GRID NO.

C-2

This grid covers:

Pictorial Index



This catalog covers:

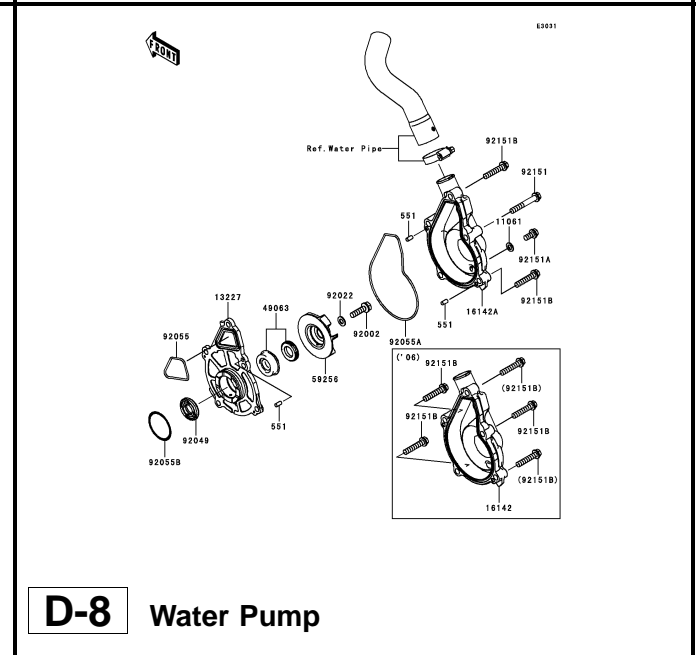
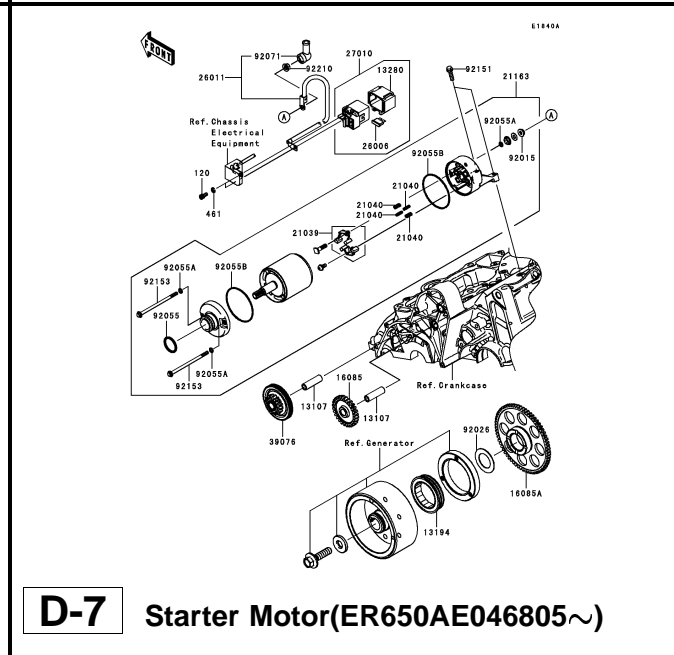
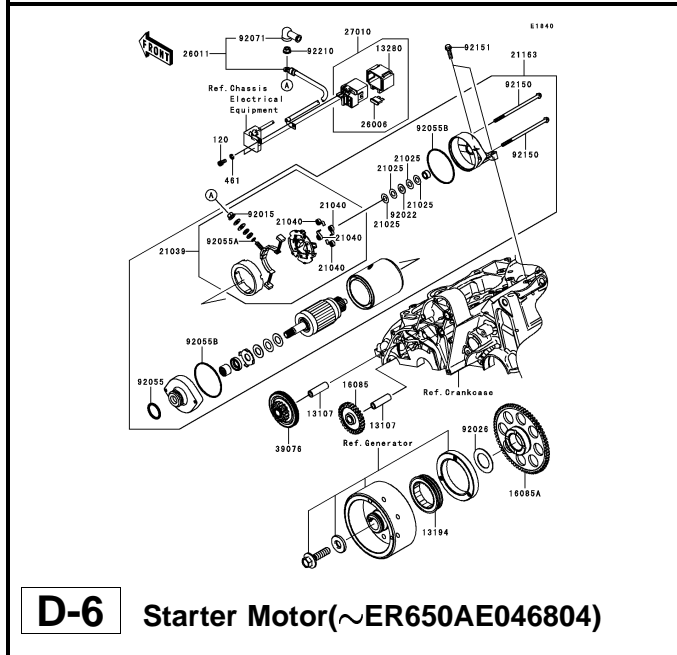
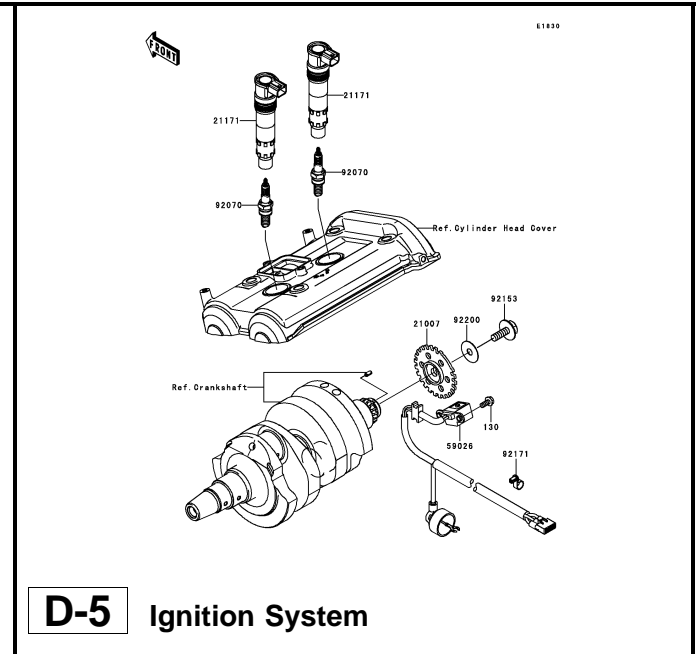
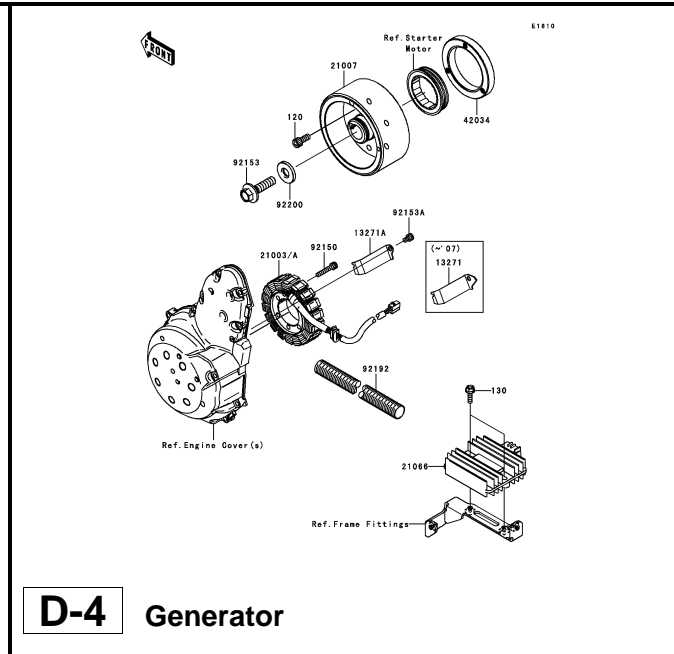
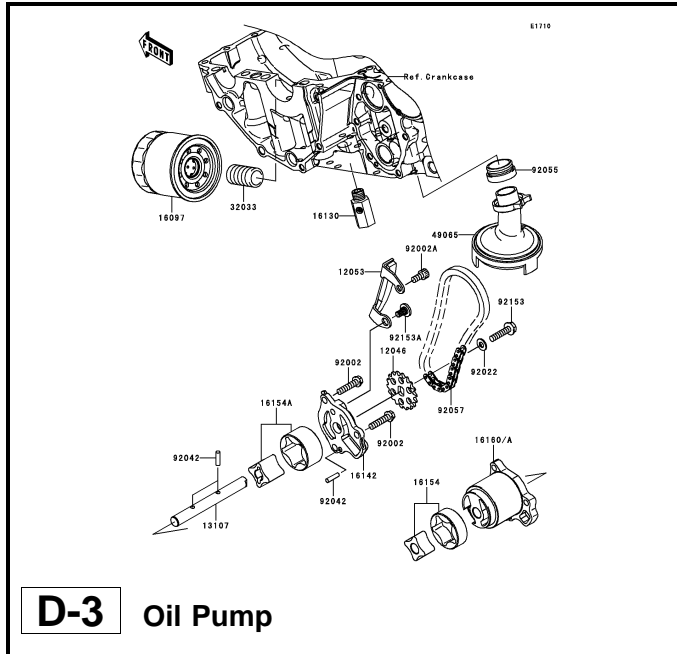
'06~'08 EX650 A6F/A7F/A8F Engine

GRID NO.

D-1

This grid covers:

Pictorial Index



This catalog covers:

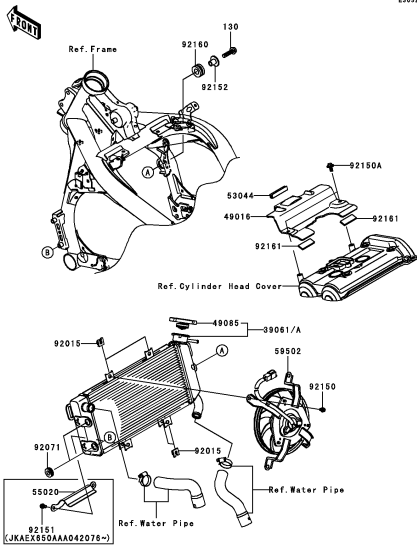
'06~'08 EX650 A6F/A7F/A8F Engine

GRID NO.

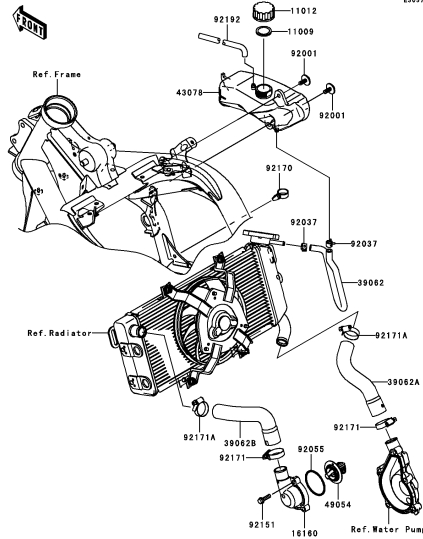
D-2

This grid covers:

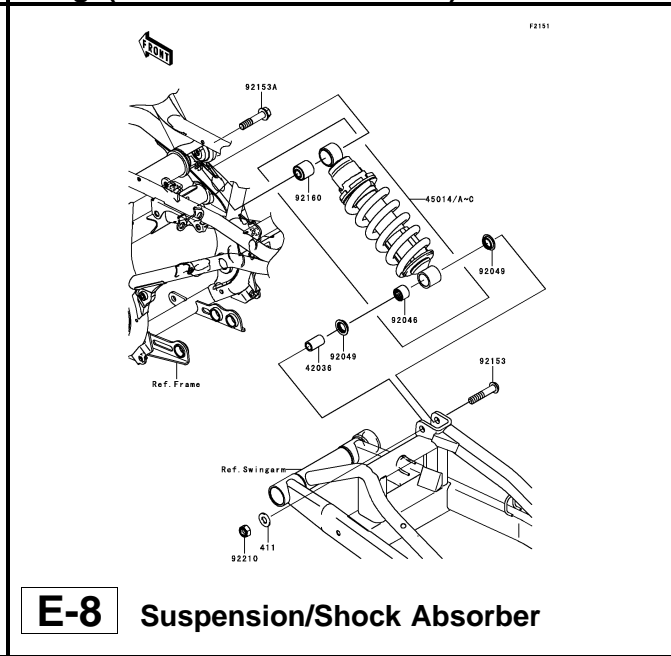
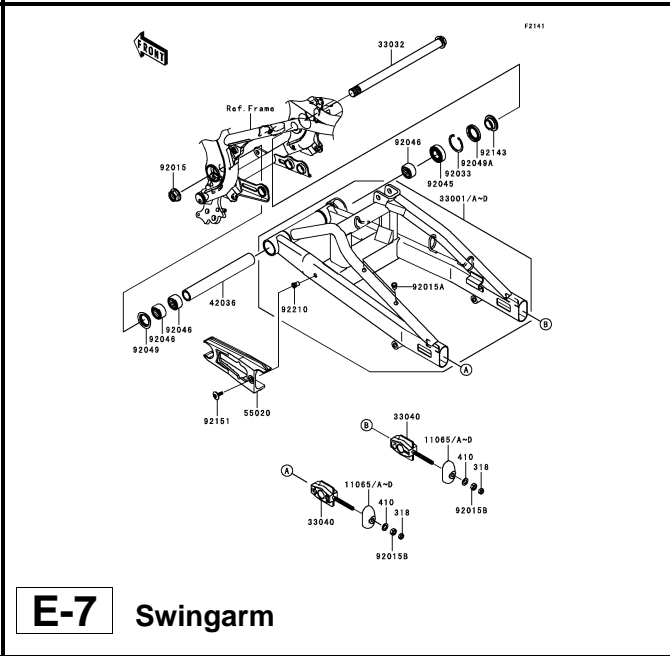
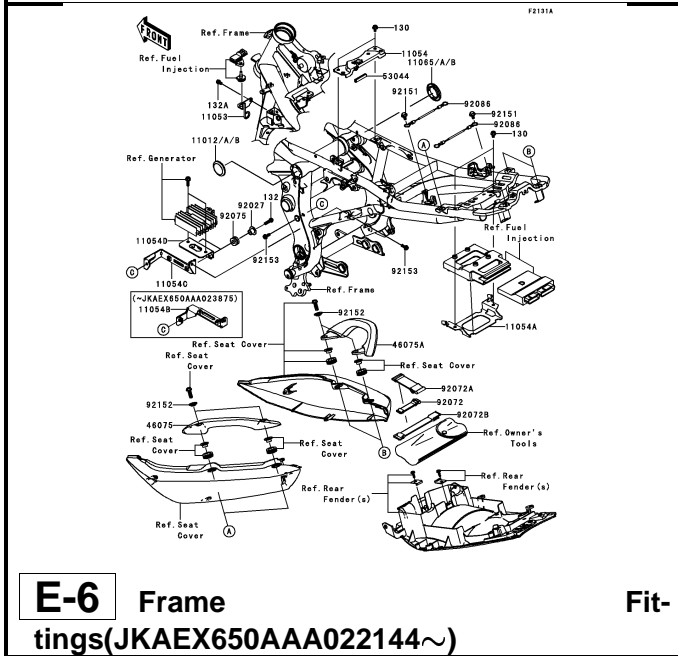
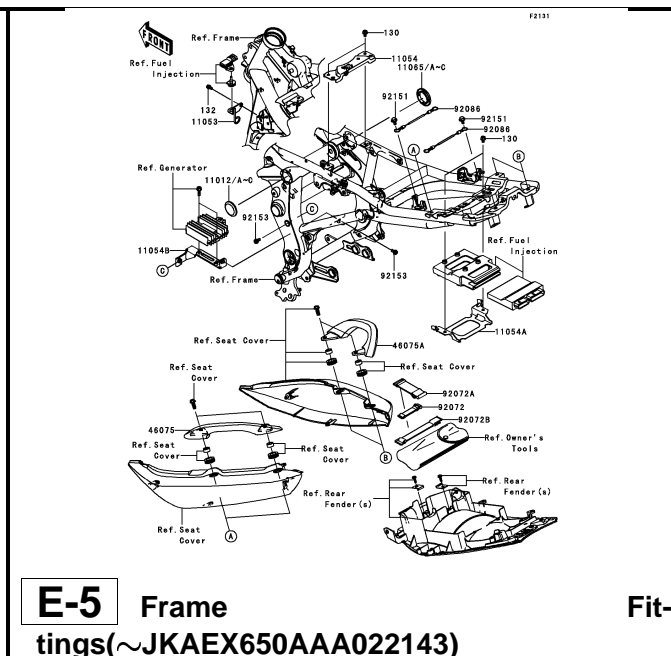
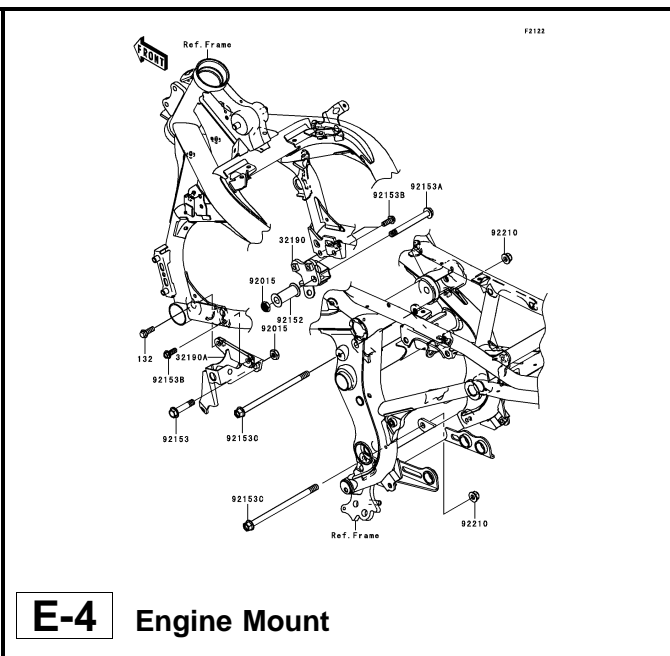
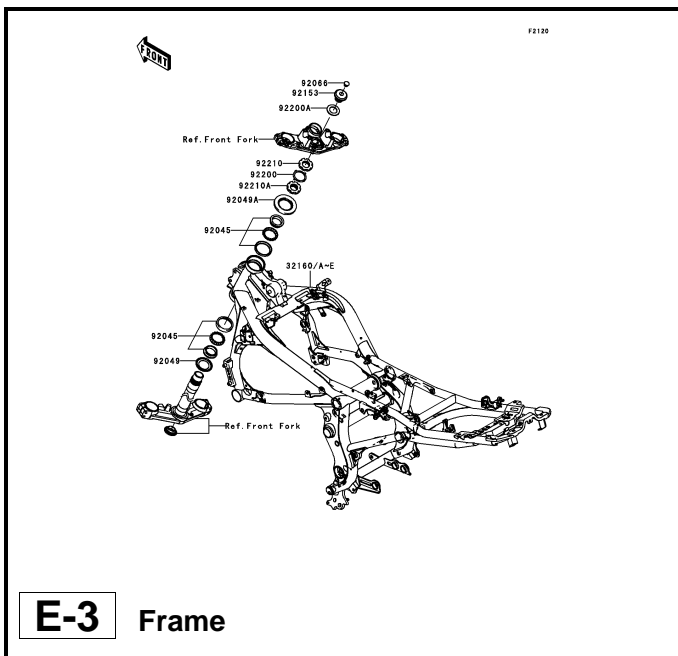
Pictorial Index



D-9 Radiator



D-10 Water Pipe



This catalog covers:

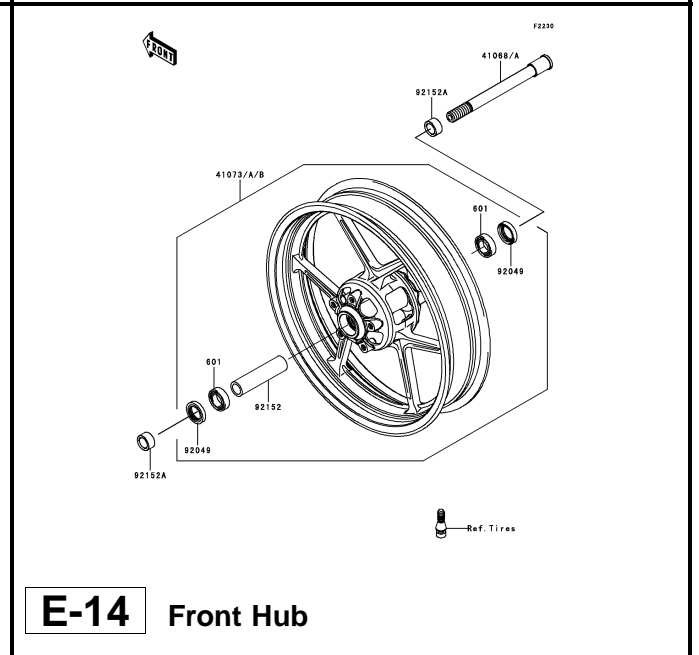
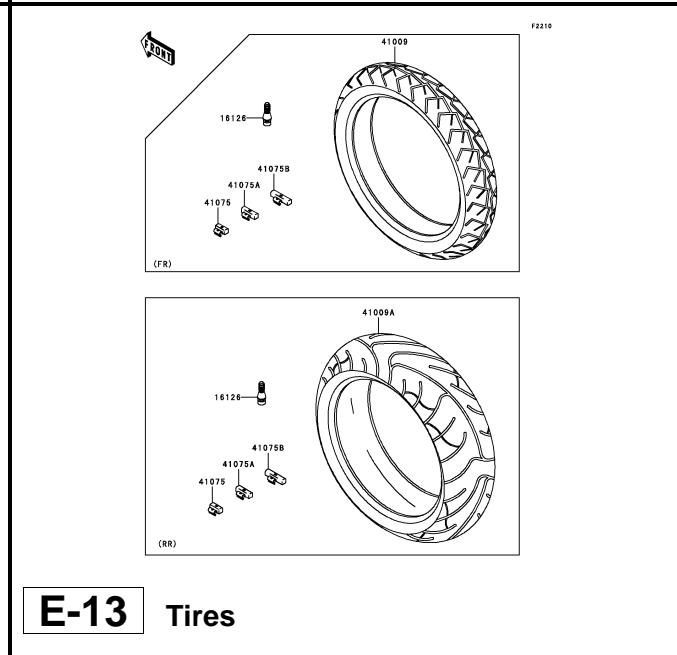
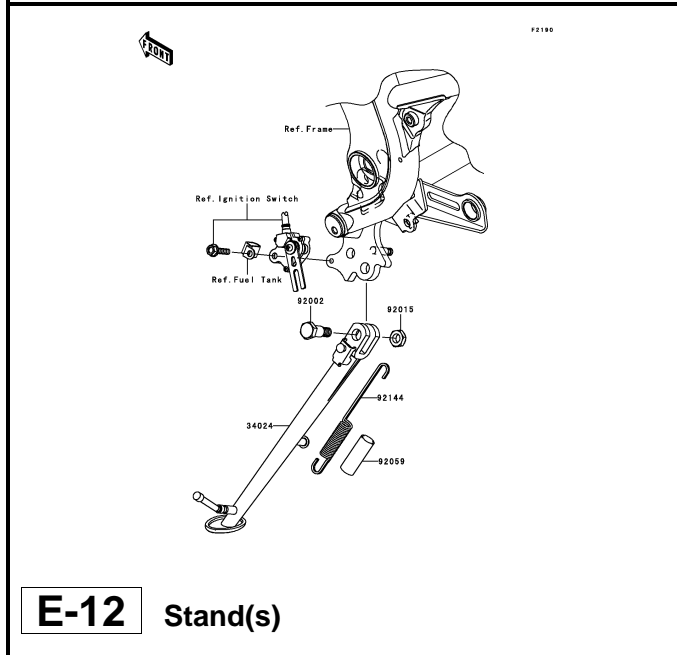
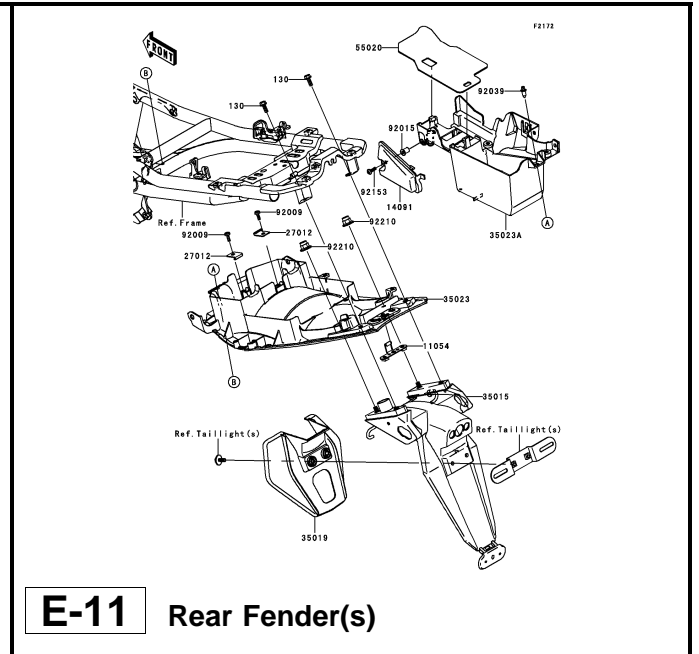
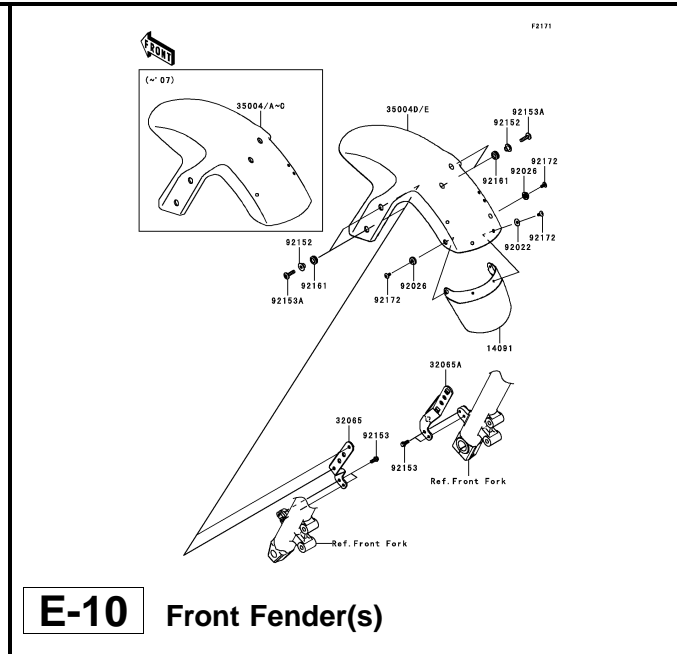
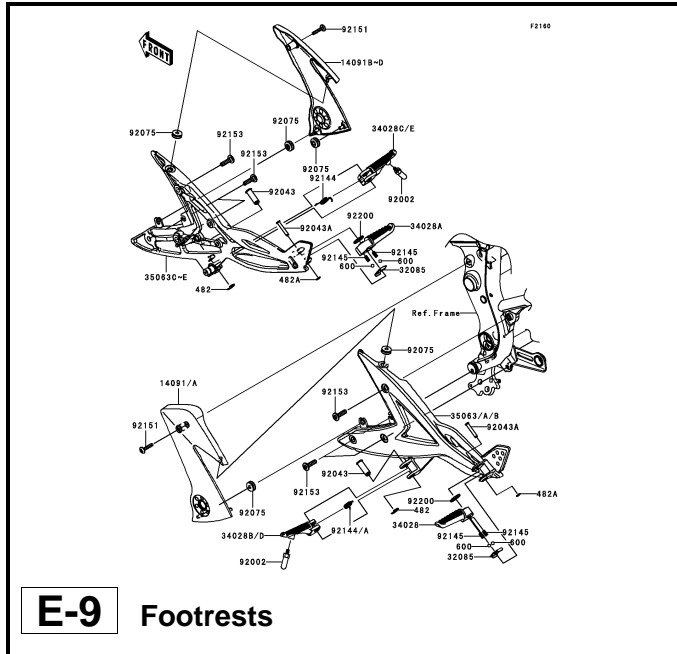
'06~'08 EX650 A6F/A7F/A8F Chassis

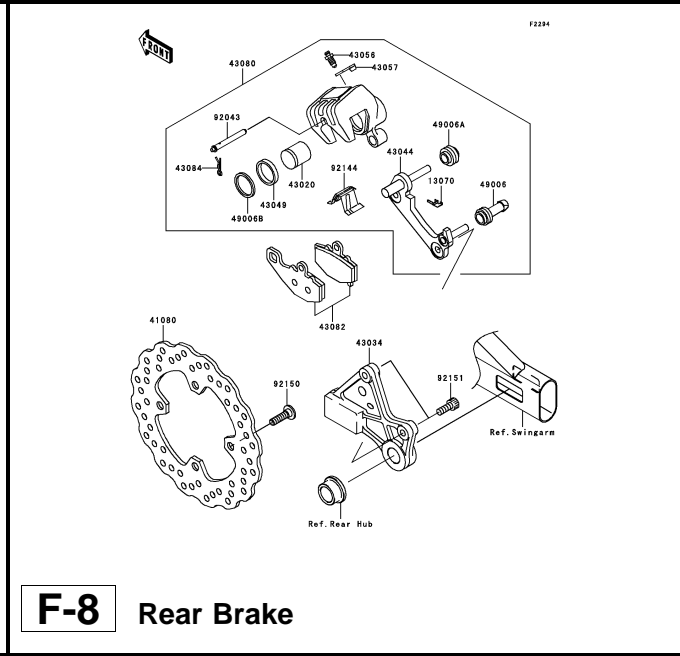
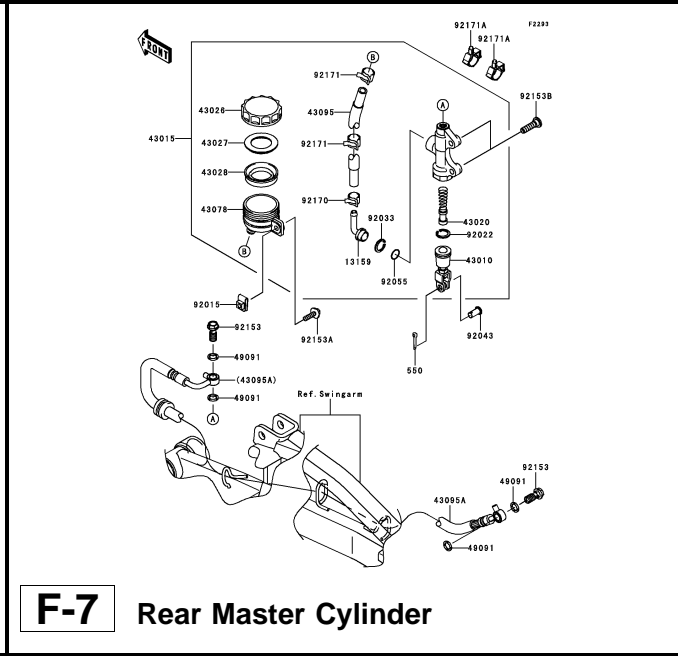
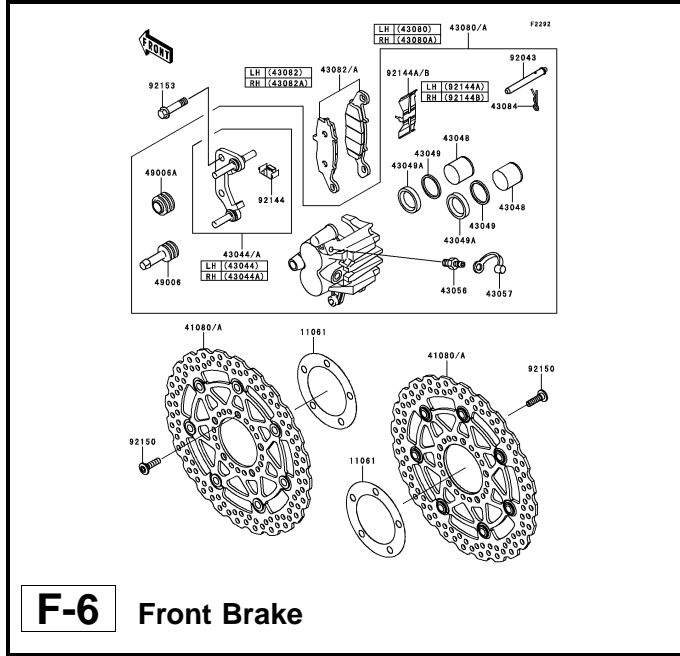
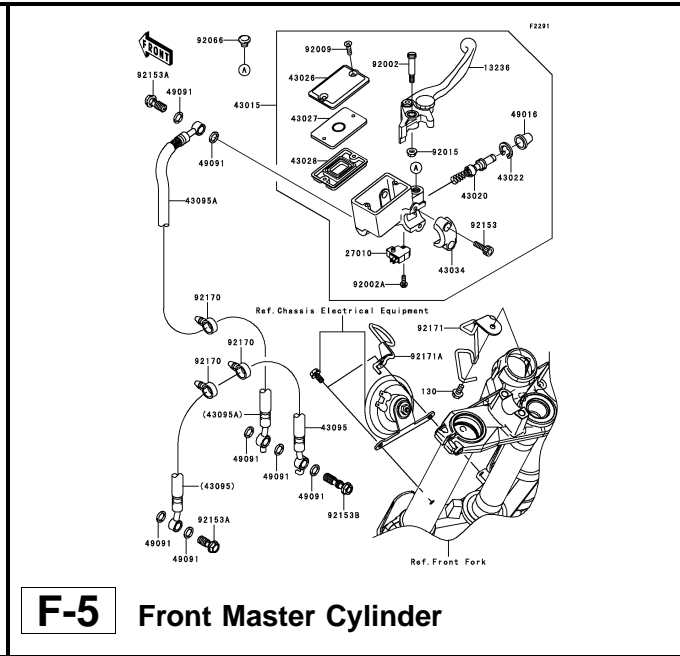
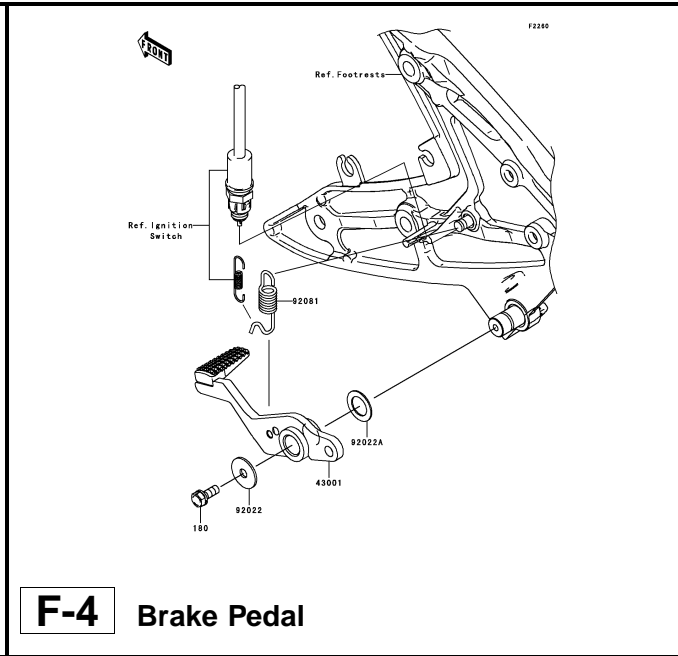
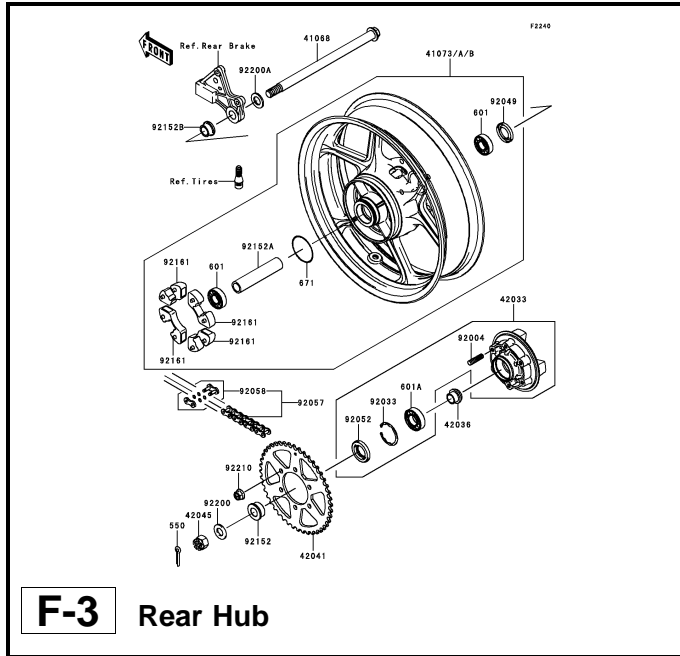
GRID NO.

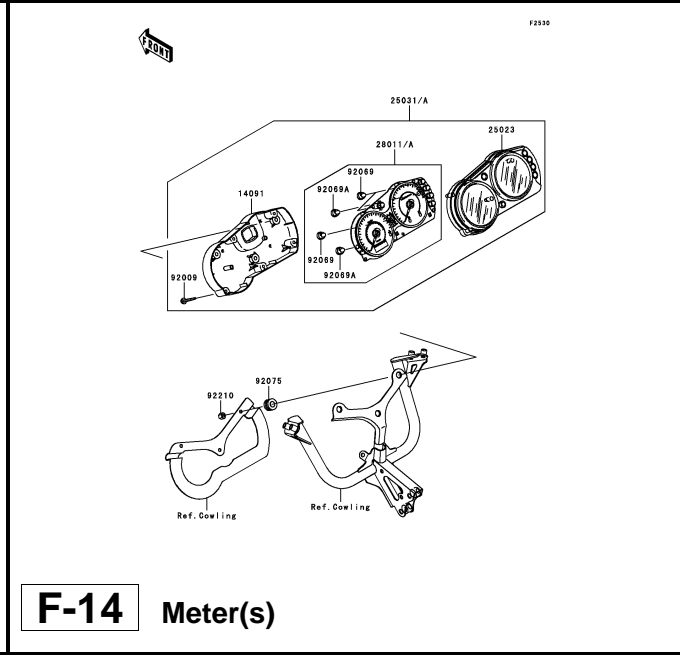
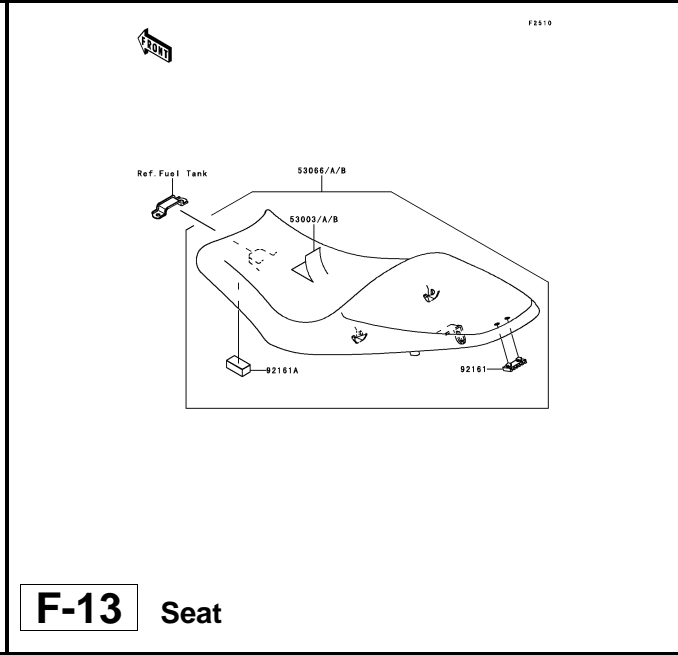
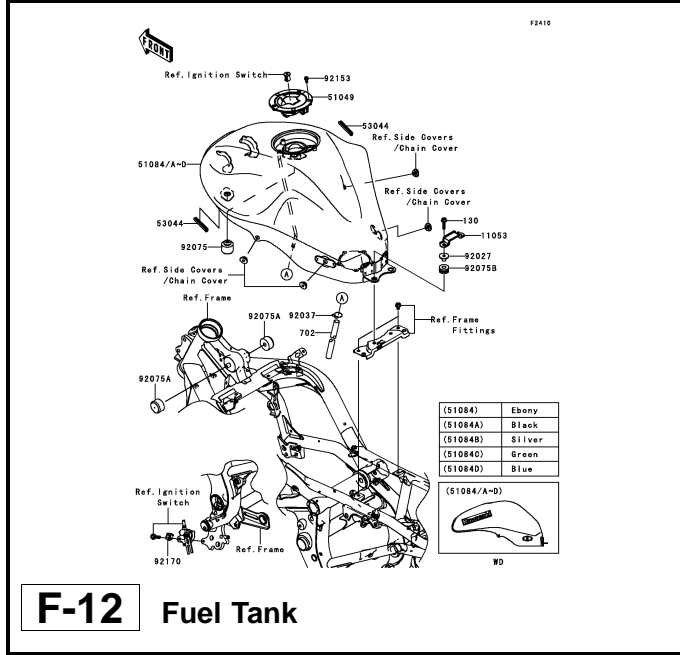
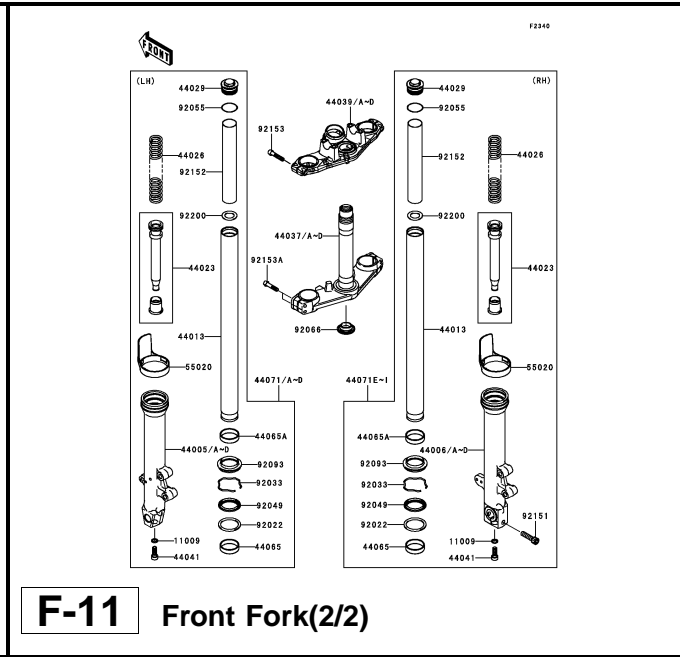
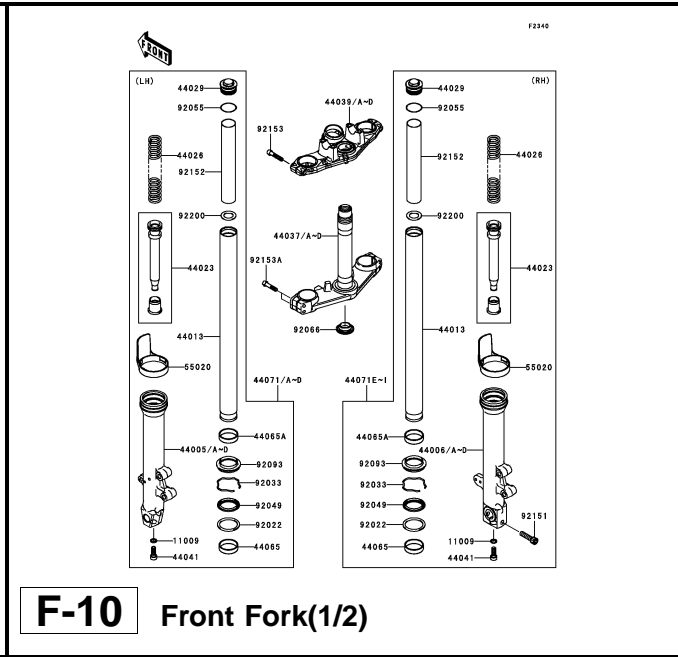
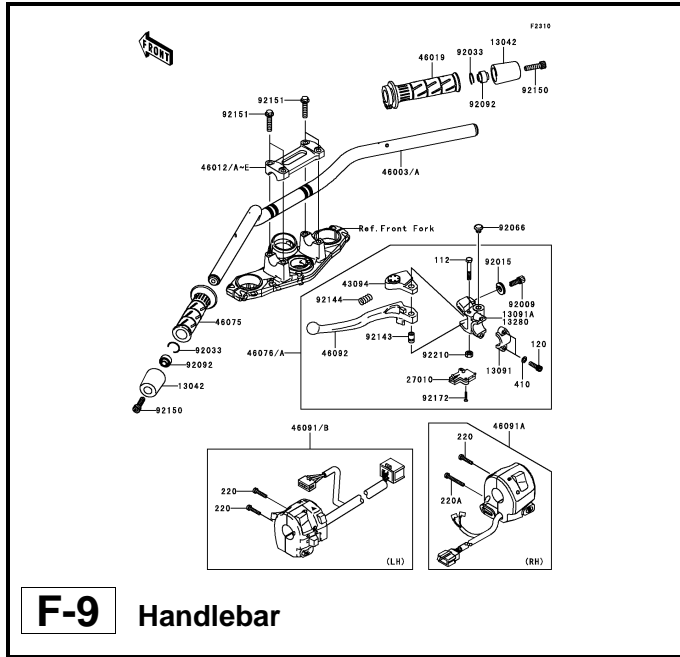
E-2

This grid covers:

Pictorial Index







This catalog covers:

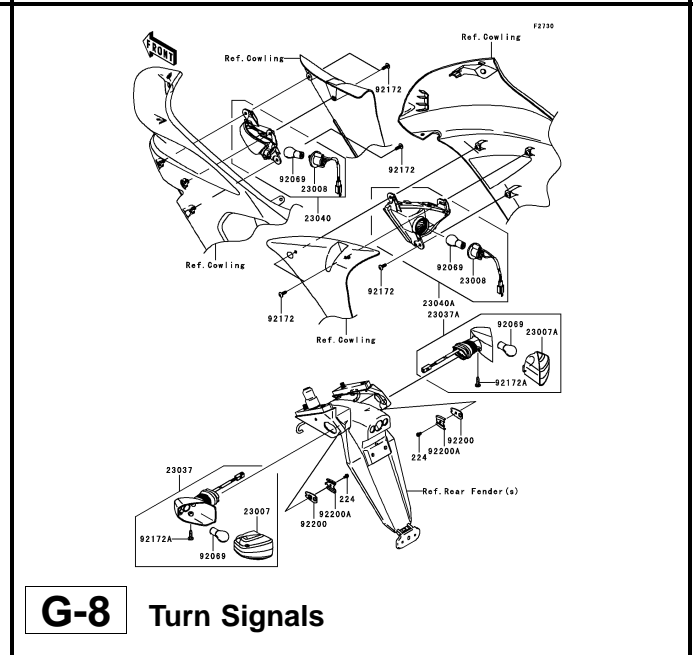
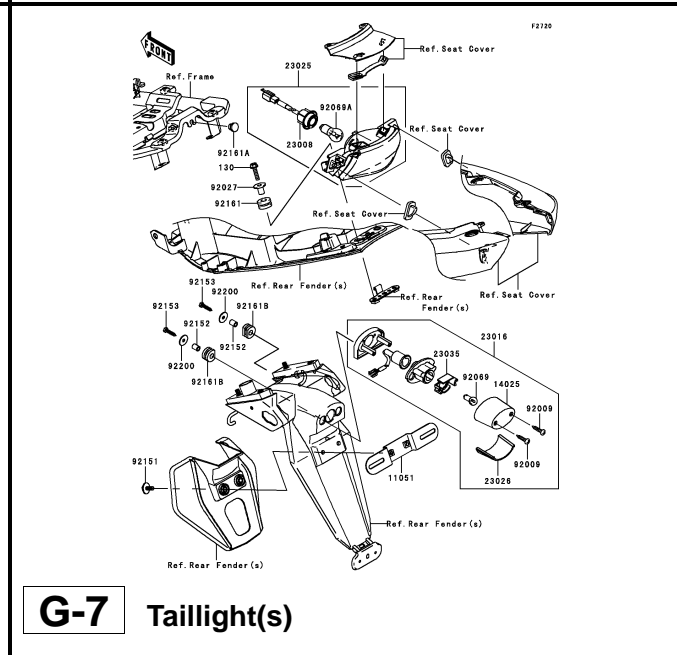
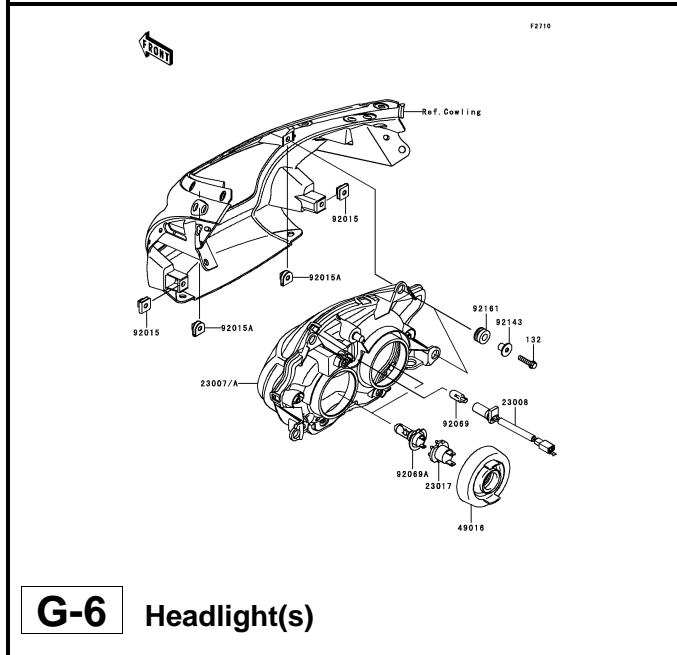
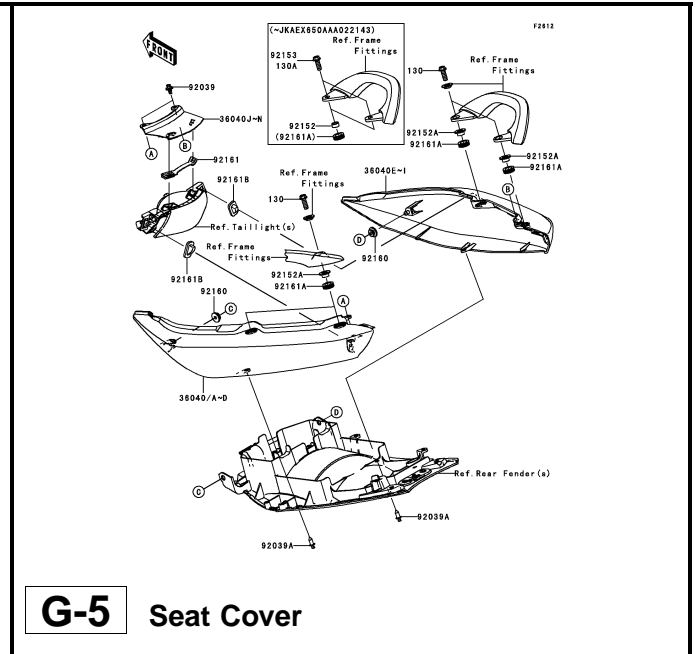
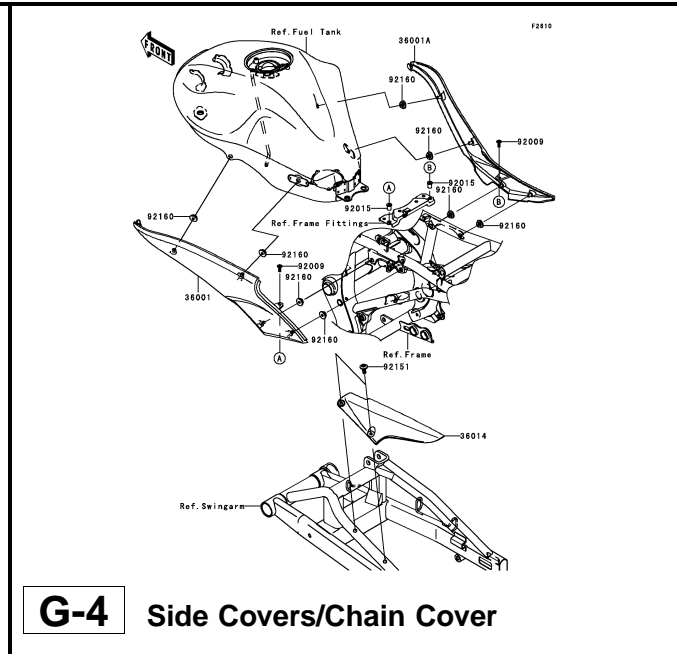
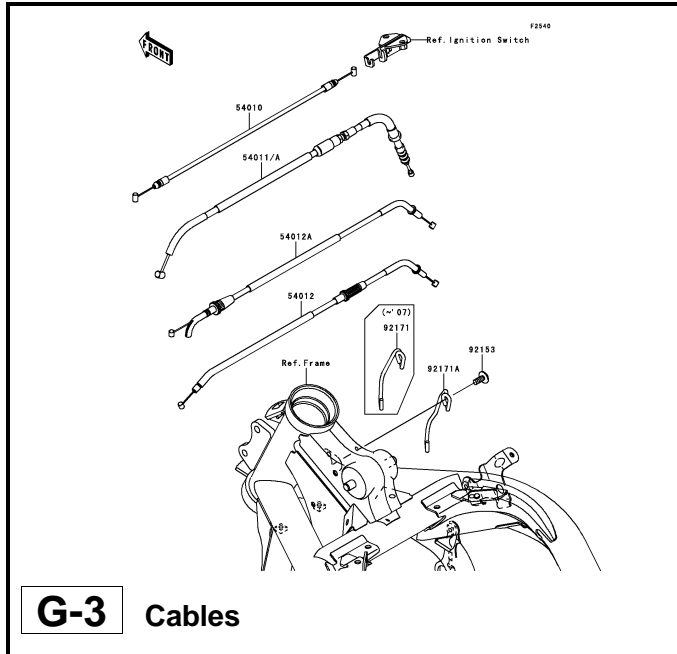
'06~'08 EX650 A6F/A7F/A8F Chassis

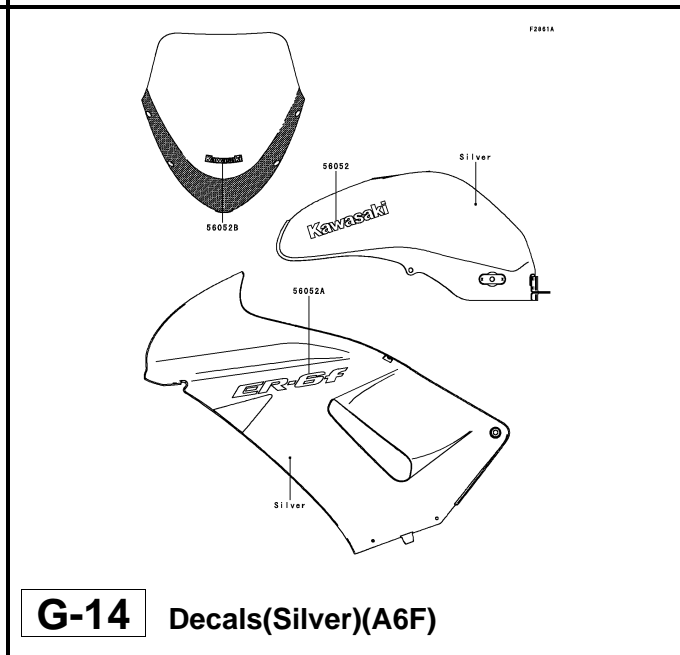
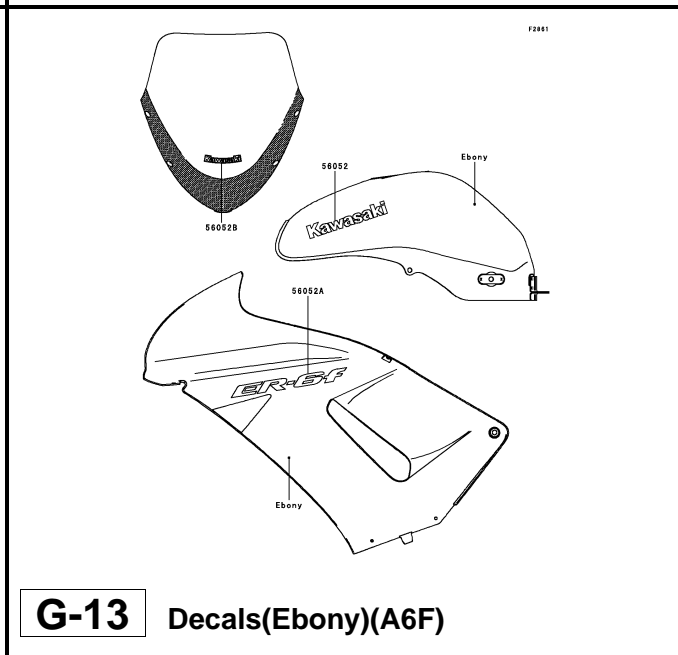
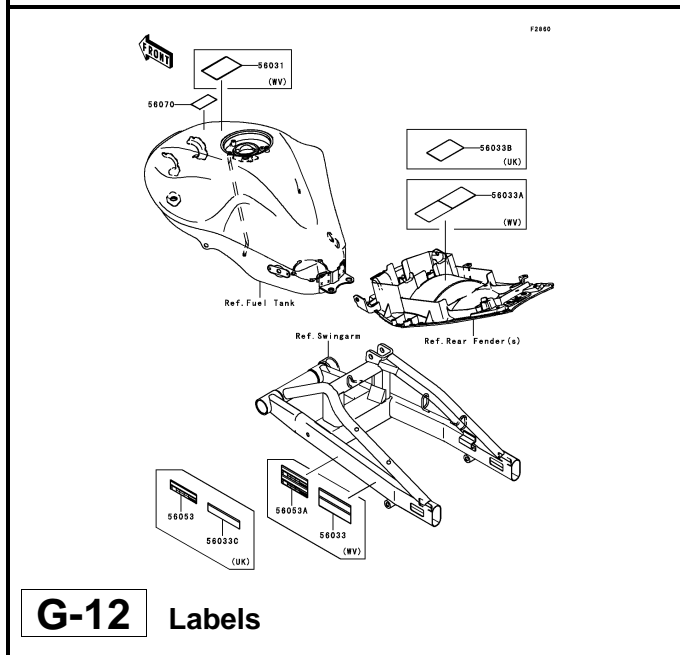
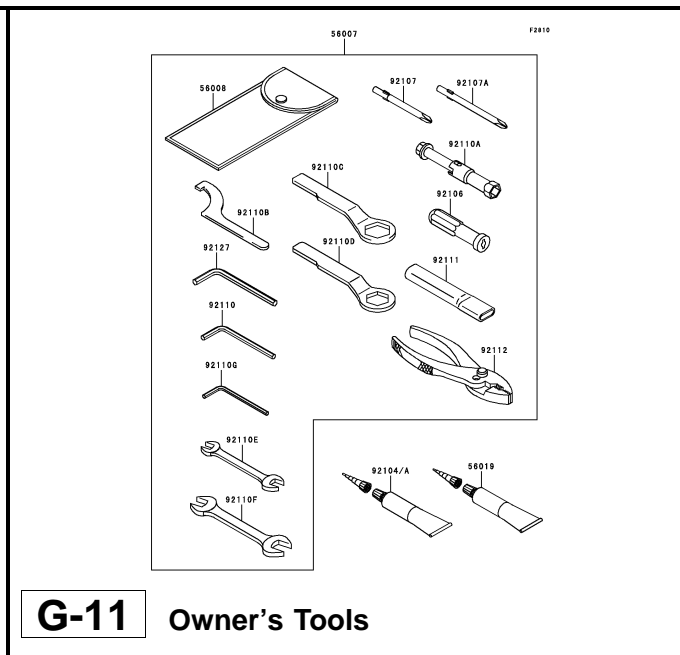
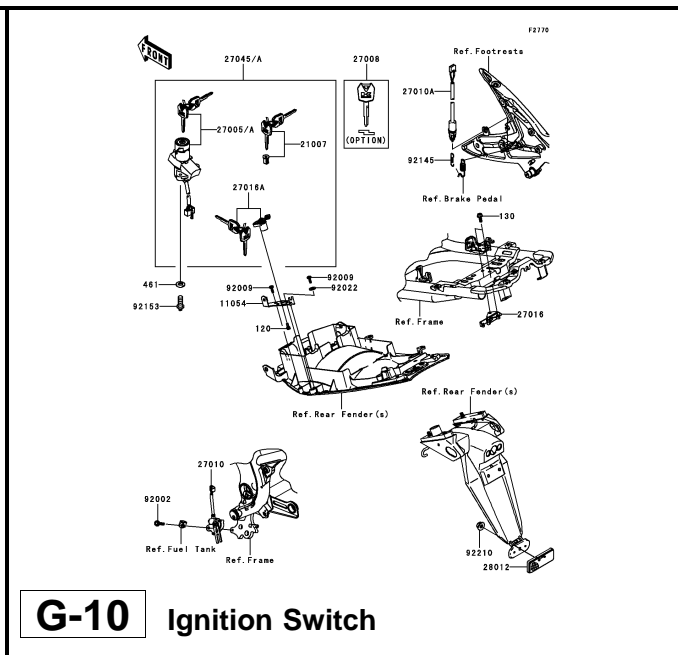
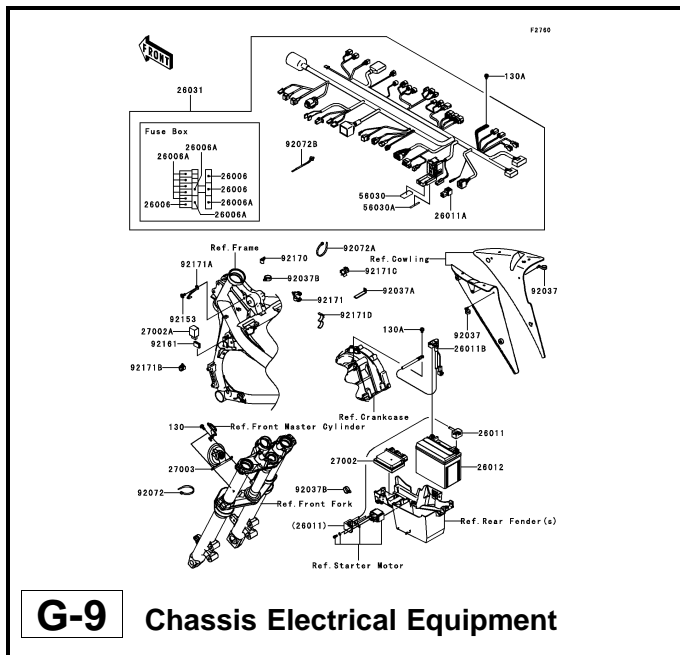
GRID NO.

G-1

This grid covers:

Pictorial Index





This catalog covers:

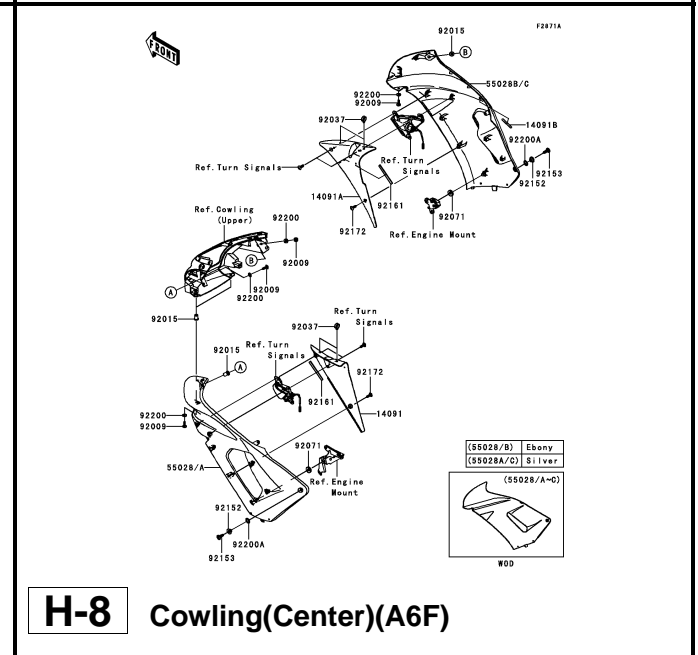
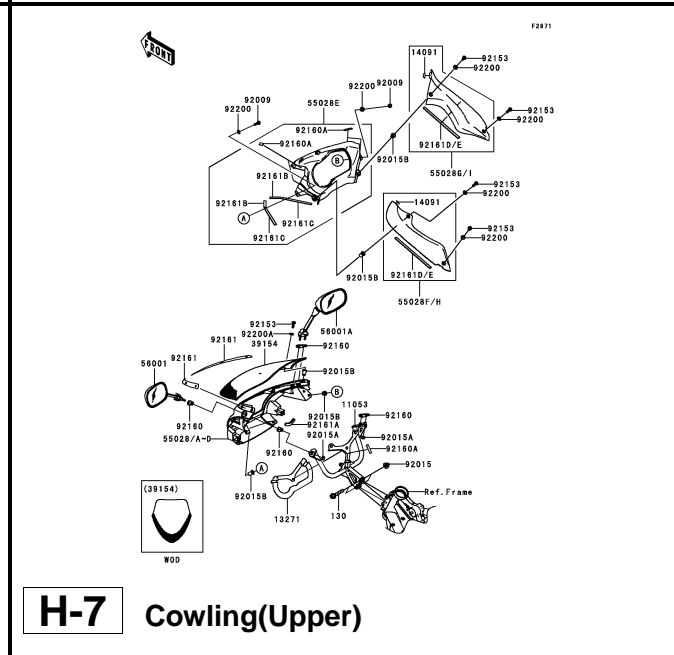
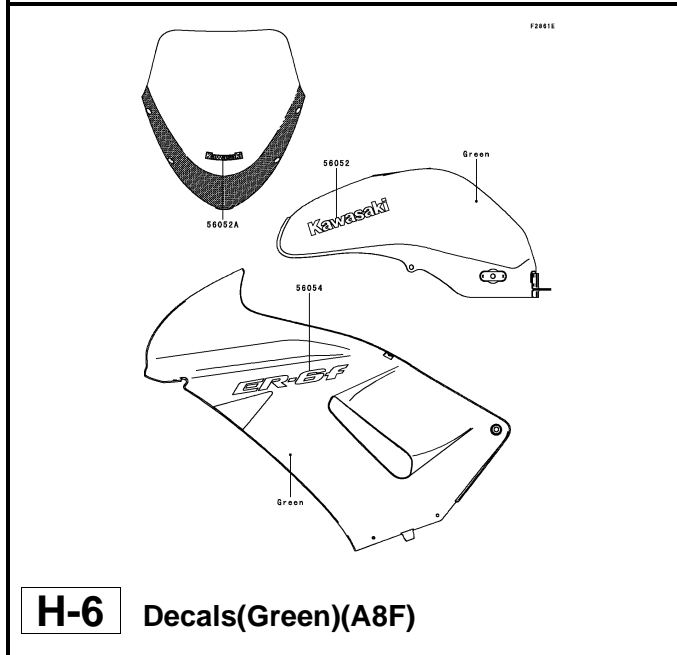
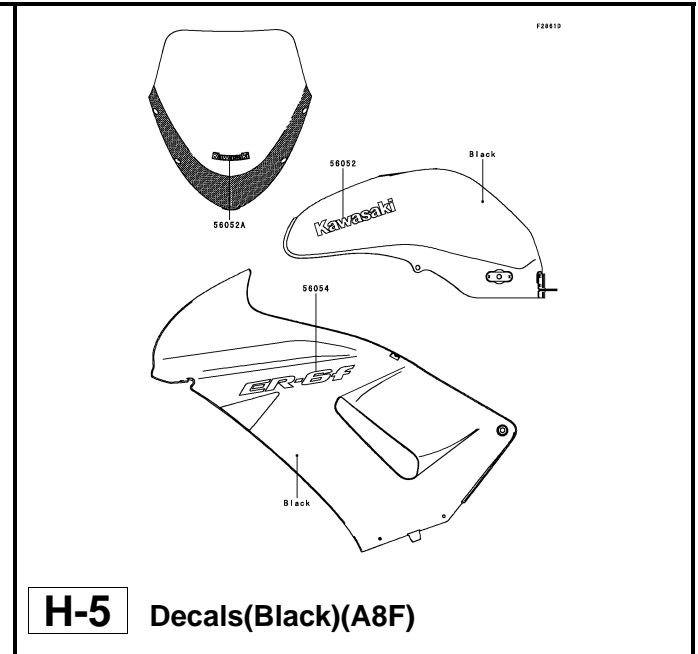
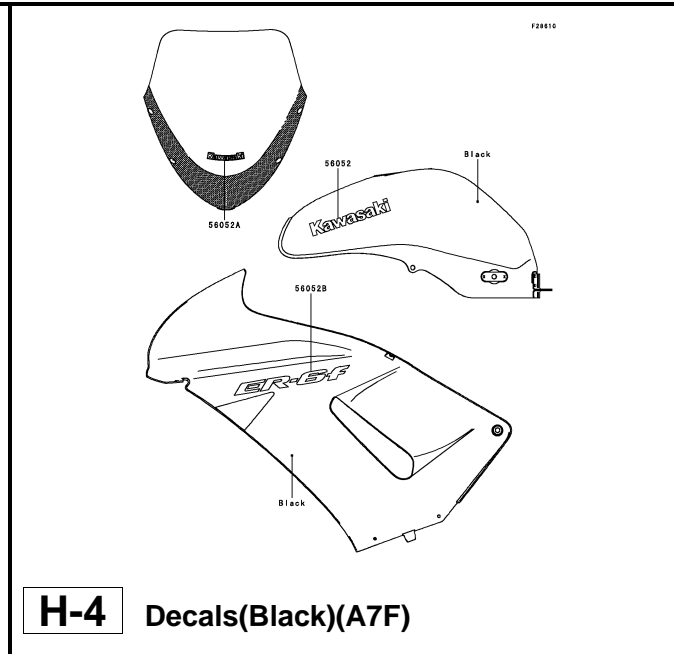
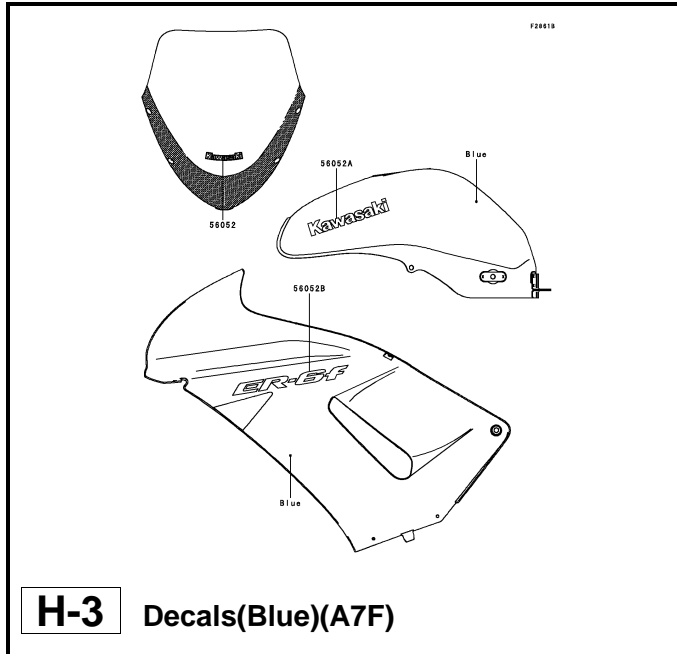
'06~'08 EX650 A6F/A7F/A8F Chassis

GRID NO.

H-1

This grid covers:

Pictorial Index



This catalog covers:

'06~'08 EX650 A6F/A7F/A8F Chassis

GRID NO.

H-2

This grid covers:

Pictorial Index

(55028/C)	Black
(55028A/D)	Blue
(55028B/E)	Green

W00

H-9 Cowling(Center)(A7F/A8F)

H-10 Cowling Lower

H-11 Manual

Owner's Manual (Local Procurement)	Ref. No.	Language
99976/A-C 99986/A/B	(99976/A)	English
	(99976/B)	French
(99976B)	(99976B)	German
	(99976C)	Italian
(99976C)	(99976C)	Spanish
	(99986/A/B)	Dutch
(99986/A/B)	(99986/A/B)	English

Service Manual	Ref. No.	Language
99924 99953 99954 99955	(99924)	English
	(99953)	German
	(99954)	French
	(99955)	Italian

A&P Manual	Ref. No.	Language
99931 99946 99950 99951 99952	(99931)	English
	(99946)	German
	(99950)	French
	(99951)	Italian
	(99952)	Spanish

This catalog covers:

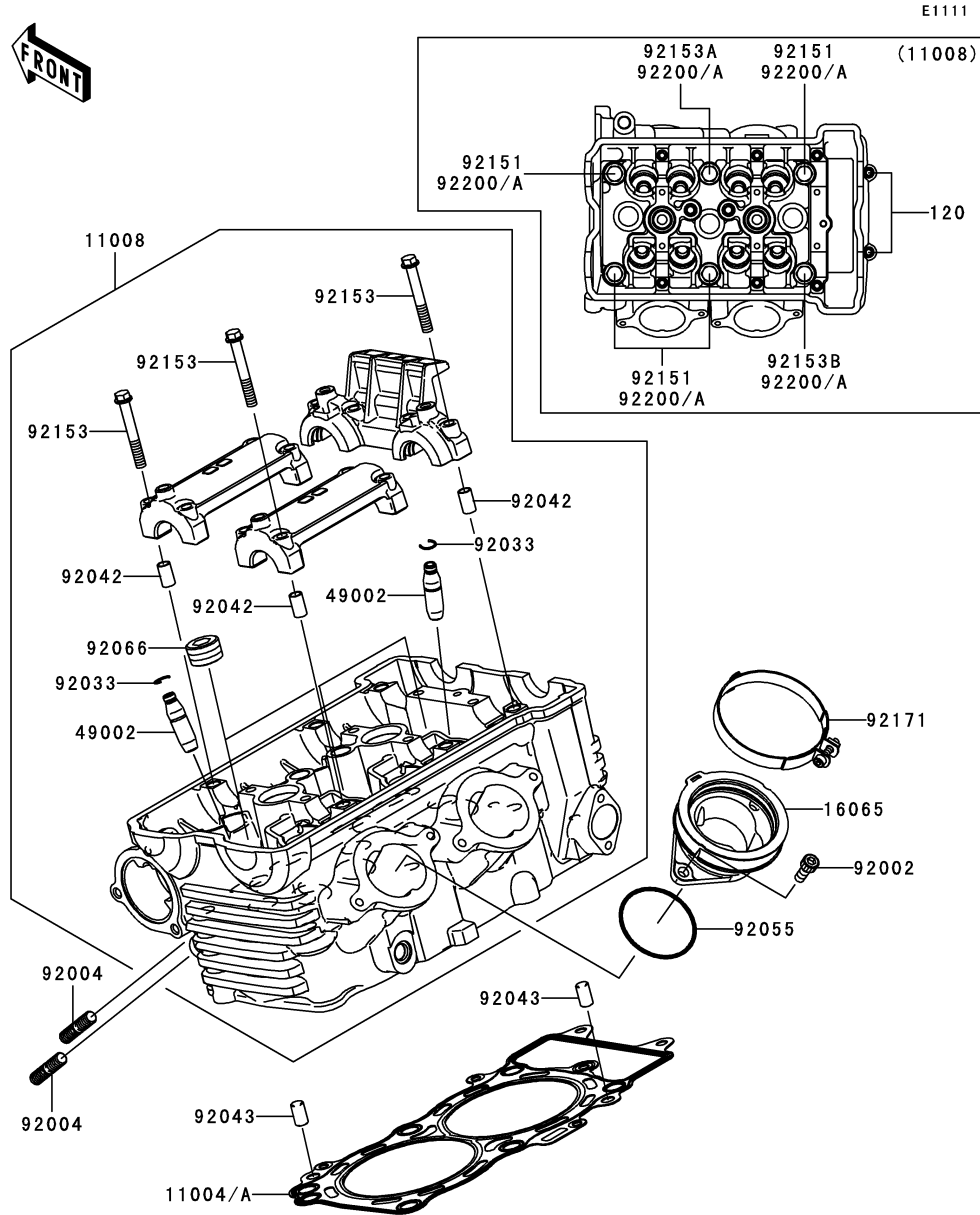
'06~'08 EX650 A6F/A7F/A8F Engine

GRID NO.

B-3

This grid covers:

Cylinder Head



Ref. No.	Part No.	Description	Spec Code	Quantity-EX650			
				'06	'07	'08	
				A6F	A7F	A8F	
11004	11004-0035	GASKET-HEAD		1	1		
	(-	ER650AE076861)				
11004A	11004-0064	GASKET-HEAD			1	1	
	(ER650AE076862 -)				
11008	11008-0089	HEAD-COMP-CYLINDER		1	1	1	
16065	16065-0024	HOLDER, THROTTLE BODY		2	2	2	
49002	49002-1116	GUIDE-VALVE		AR	AR	AR	
92002	92002-1143	BOLT,6X16		4	4	4	
92004	92004-0025	STUD,8X22		4	4	4	
92033	92033-1247	RING-SNAP		8	8	8	
92042	92042-007	PIN,DOWEL,6.3X8X14		6	6	6	
92043	92043-1567	PIN,8X14		2	2	2	
92055	92055-1600	RING-O,47X1.9		2	2	2	
92066	92066-0002	PLUG,PT1/2X12.5		3	3	3	
92151	92151-1152	BOLT,10X158		4	4	4	
92153	92153-0339	BOLT,6X45		12	12	12	
92153A	92153-0972	BOLT,FLANGED-SMALL,10X176		1	1	1	
92153B	92153-1321	BOLT,FLANGED-SMALL,10X80		1	1	1	
92171	92171-1089	CLAMP		2	2	2	
92200	92200-0114	WASHER,10.5X19X2.3		6	6		
	(-	ER650AE076861)				
92200A	92200-0363	WASHER,10.5X19X2.3			6	6	
	(ER650AE076862 -)				
120	120Z0630	BOLT-SOCKET,6X30		2	2	2	

This catalog covers:

'06~'08 EX650 A6F/A7F/A8F Engine

GRID NO.

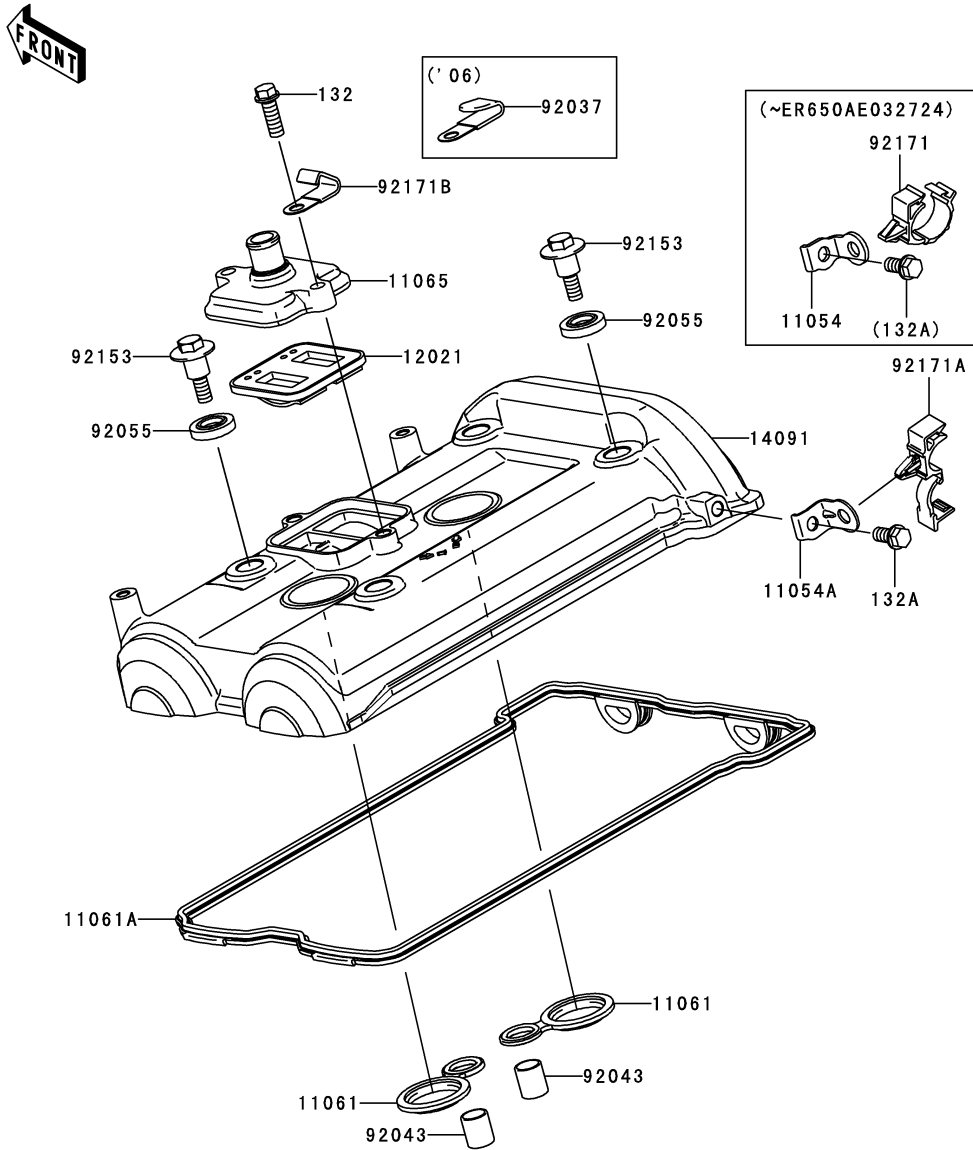
B-4

This grid covers:

Cylinder Head Cover

E1112

Ref. No.	Part No.	Description	Spec Code	Quantity-EX650		
				'06	'07	'08
				A6F	A7F	A8F
11054	11054-0238	BRACKET				1
	(-	ER650AE032724)			
11054A	11054-0869	BRACKET		1	1	1
	(ER650AE032725 -)			
11061	11061-0105	GASKET,SPARK PLUG HOLE		2	2	2
11061A	11061-0170	GASKET,HEAD COVER		1	1	1
11065	11065-0111	CAP		1	1	1
12021	12021-1130	VALVE-ASSY-REED		1	1	1
14091	14091-0550	COVER,HEAD		1	1	1
92037	92037-1877	CLAMP		1		
92043	92043-4009	PIN,10.1X12X14		2	2	2
92055	92055-1352	RING-O,HEAD COVER BOLT		4	4	4
92153	92153-0793	BOLT,HEAD COVER		4	4	4
92171	92171-0316	CLAMP,BRAKE HOSE		1		
	(-	ER650AE032724)			
92171A	92171-0789	CLAMPBRAKE HOSE		1	1	1
	(ER650AE032725 -)			
92171B	92171-0813	CLAMP			1	1
132	132G0618	BOLT-FLANGED-SMALL,6X18		2	2	2
132A	132J0612	BOLT-FLANGED-SMALL,6X12		1	1	1



This catalog covers:

'06~'08 EX650 A6F/A7F/A8F Engine

GRID NO.

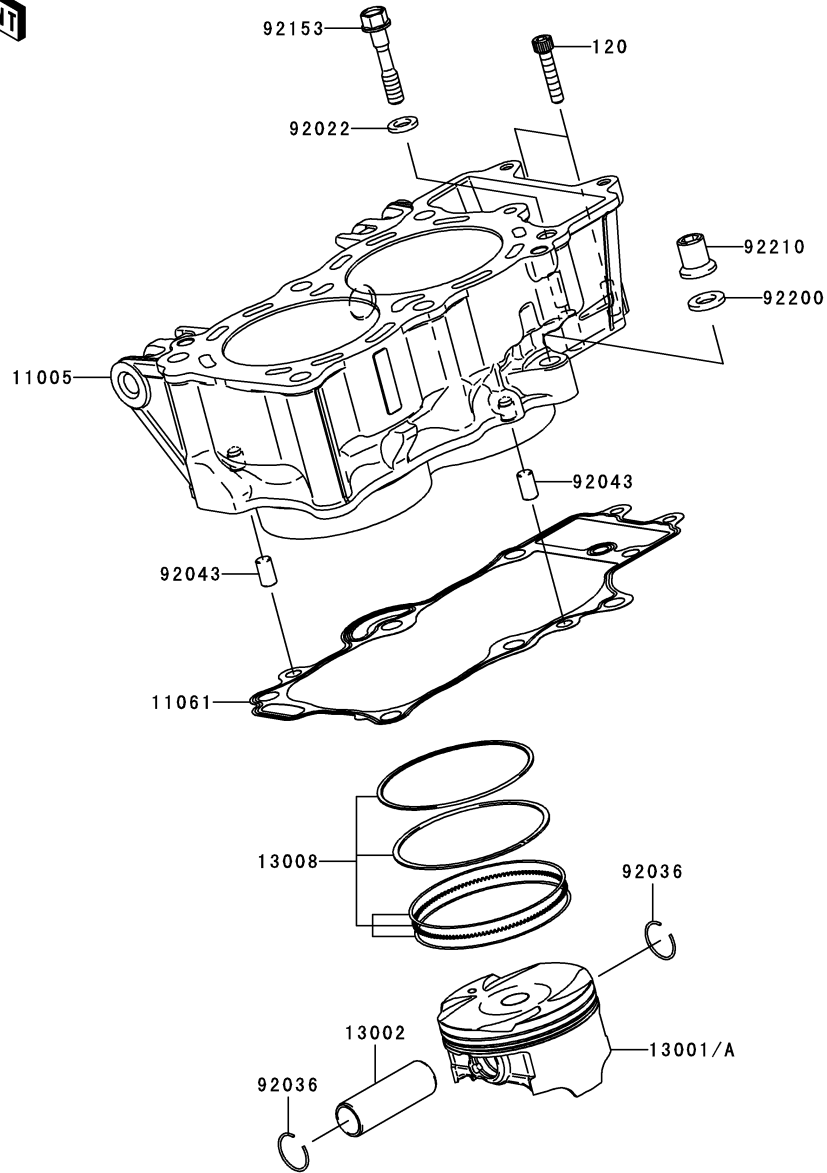
B-5

This grid covers:

Cylinder/Piston(s)

E1120

Ref. No.	Part No.	Description	Spec Code	Quantity-EX650		
				'06	'07	'08
				A6F	A7F	A8F
11005	11005-0081	CYLINDER-ENGINE	1	1	1	
11061	11061-0171	GASKET,CYLINDER BASE	1	1	1	
13001	13001-0060	PISTON-ENGINE	2	2		
13001A	13001-0087	PISTON-ENGINE			2	
13002	13002-0007	PIN-PISTON	2	2	2	
13008	13008-1196	RING-SET-PISTON	2	2	2	
92022	92022-1401	WASHER,9X15.5X2	1	1	1	
92036	92036-008	RING-SNAP,PISTON PIN	4	4	4	
92043	92043-1567	PIN,8X14	2	2	2	
92153	92153-1011	BOLT,8X43	1	1	1	
92200	92200-0363	WASHER,10.5X19X2.3	1	1	1	
92210	92210-0223	NUT	1	1	1	
120	120Z0630	BOLT-SOCKET,6X30	2	2	2	



This catalog covers:

'06~'08 EX650 A6F/A7F/A8F Engine

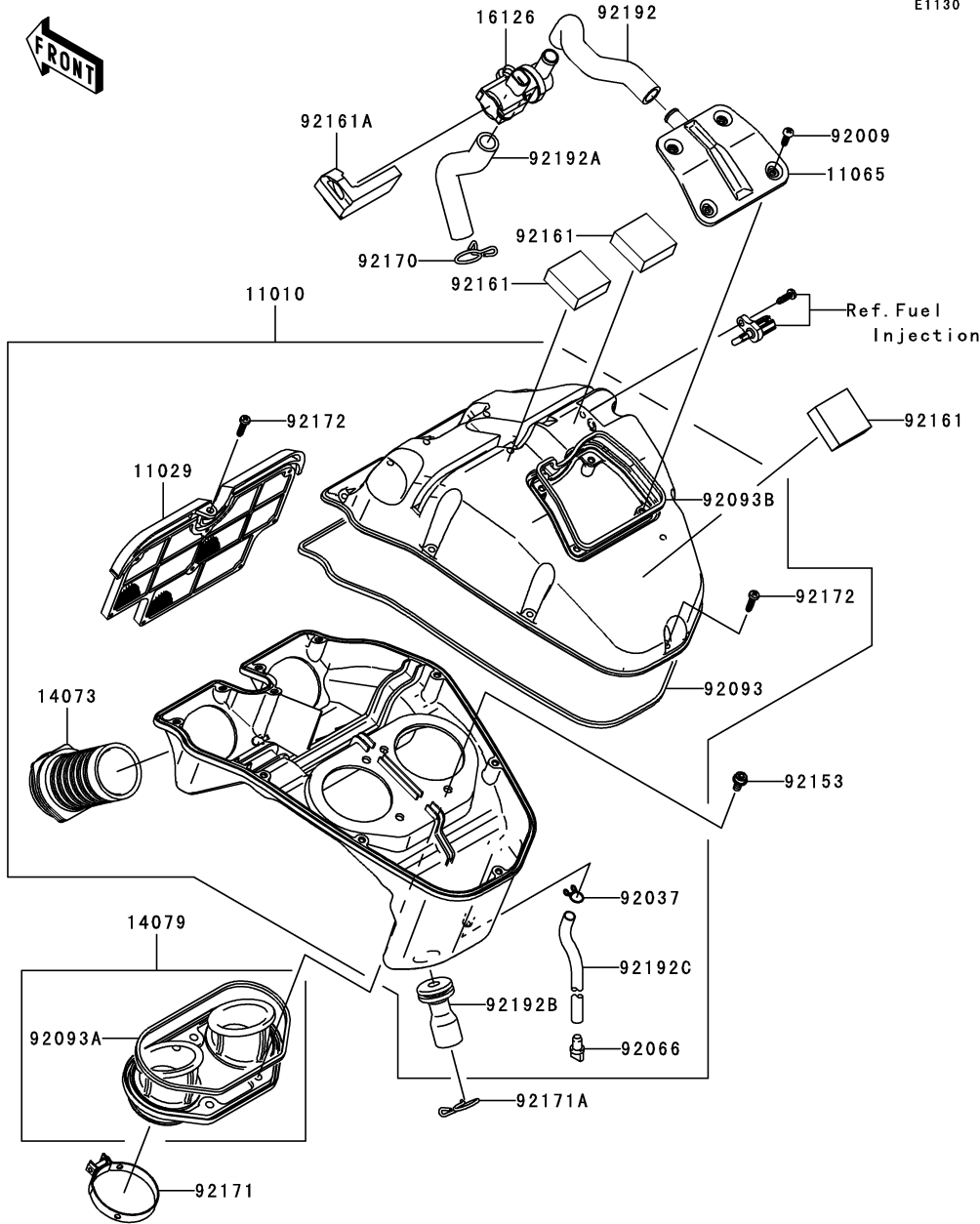
GRID NO.

B-6

This grid covers:

Air Cleaner

E1130



Ref. No.	Part No.	Description	Spec Code	Quantity-EX650		
				'06	'07	'08
				A6F	A7F	A8F
11010	11010-0108	FILTER-ASSY-AIR	1	1	1	
11029	11029-0008	ELEMENT-ASSY-AIR FILTER	1	1	1	
11065	11065-0120	CAP,UPPER CASE	1	1	1	
14073	14073-0110	DUCT	2	2	2	
14079	14079-0017	HOLDER-ASSY	1	1	1	
16126	16126-0019	VALVE,AIR SWITING	1	1	1	
92009	92009-1984	SCREW,TAPPING,5X16	4	4	4	
92037	92037-147	CLAMP,TUBE	1	1	1	
92066	92066-1211	PLUG,DRAIN	1	1	1	
92093	92093-0045	SEAL,L=1080	1	1	1	
92093A	92093-0046	SEAL	1	1	1	
92093B	92093-0048	SEAL,L=368	1	1	1	
92153	92153-0759	BOLT,SOCKET,6X12	4	4	4	
92161	92161-0302	DAMPER,T=15	3	3	3	
92161A	92161-0309	DAMPER	1	1	1	
92170	92170-1017	CLAMP	1	1	1	
92171	92171-0314	CLAMP	2	2	2	
92171A	92171-0435	CLAMP	1	1	1	
92172	92172-0009	SCREW,TAPPING,5X20	11	11	11	
92192	92192-0231	TUBE,ASV-A/C	1	1	1	
92192A	92192-0232	TUBE,HEAD-ASV	1	1	1	
92192B	92192-0264	TUBE,BREATHER	1	1	1	
92192C	92192-0325	TUBE,DRAIN,6X9X280	1	1	1	

This catalog covers:

'06~'08 EX650 A6F/A7F/A8F Engine

GRID NO.

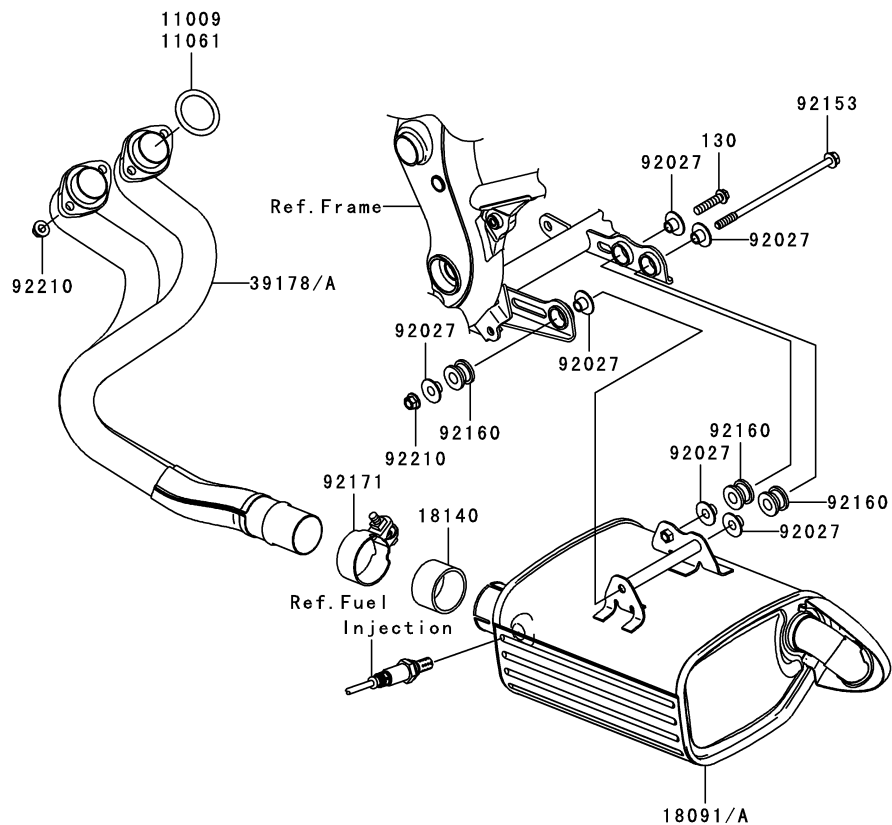
B-7

This grid covers:

Muffler(s)

E1140

Ref. No.	Part No.	Description	Spec Code	Quantity-EX650		
				'06	'07	'08
				A6F	A7F	A8F
11009	11009-1856	GASKET,EXHAUST PIPE HOLDER	2			
11061	11061-0278	GASKET,EXHAUST PIPE		2	2	
18091	18091-0284	BODY-COMP-MUFFLER	1	1		
18091A	18091-0495	BODY-COMP-MUFFLER			1	
18140	18140-0002	GASKET-MUFFLER	1	1	1	
39178	39178-0065	MANIFOLD-COMP-EXHAUST	1			
39178A	39178-0074	MANIFOLD-COMP-EXHAUST		1	1	
92027	92027-1653	COLLAR,FLANGED,8.8X10.6	6	6	6	
92153	92153-1357	BOLT,FLANGED,8X165	1	1	1	
92160	92160-1116	DAMPER,MUFFLER MOUNT	3	3	3	
92171	92171-1568	CLAMP	1	1	1	
92210	92210-1114	NUT,8MM	5	5	5	
130	130Z0835	BOLT-FLANGED,8X35	1	1	1	



This catalog covers:

'06~'08 EX650 A6F/A7F/A8F Engine

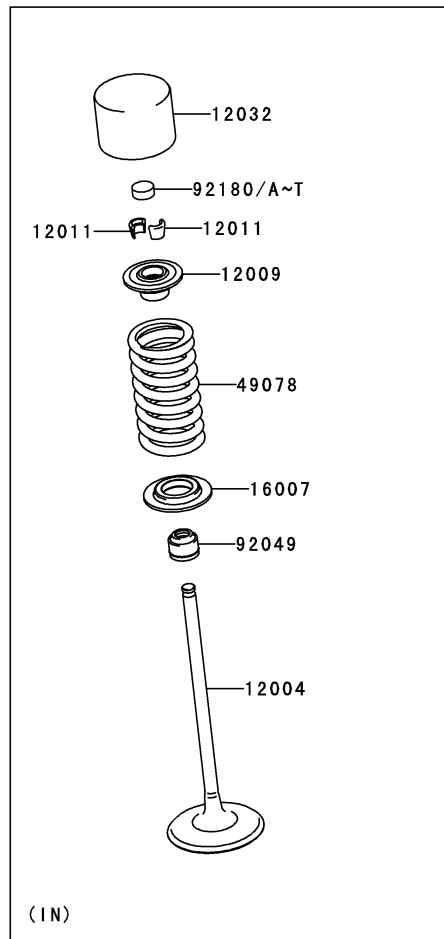
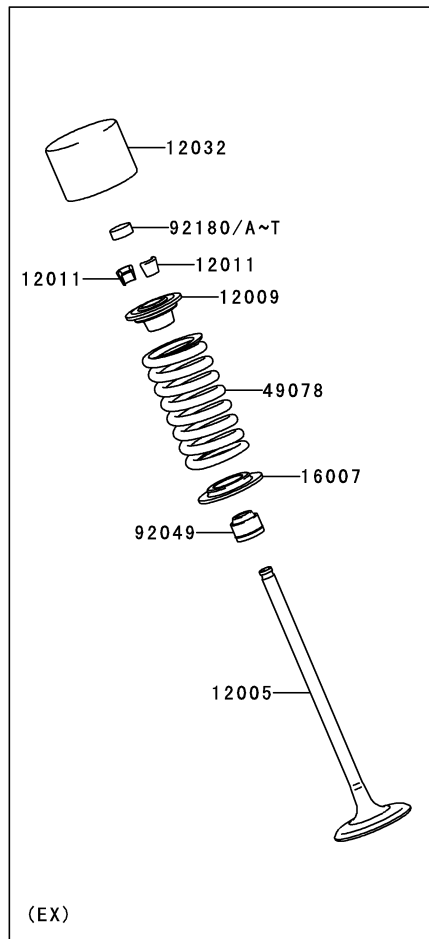
GRID NO.

B-8

This grid covers:

Valve(s)

E1210



Ref. No.	Part No.	Description	Spec Code	Quantity-EX650			
				'06	'07	'08	
				A6F	A7F	A8F	
12004	12004-0015	VALVE-INTAKE	4	4	4		
12005	12005-0035	VALVE-EXHAUST	4	4	4		
12009	12009-1091	RETAINER-VALVE SPRING	8	8	8		
12011	12011-1053	COLLET	16	16	16		
12032	12032-0009	TAPPET	8	8	8		
16007	16007-1228	SEAT-SPRING	8	8	8		
49078	49078-0038	SPRING-ENGINE VALVE	8	8	8		
92049	92049-1349	SEAL-OIL,VSB 4.3 7.5 5.3 8.3	8	8	8		
92180	92180-1014	SHIM,T=2.50	AR	AR	AR		
92180A	92180-1016	SHIM,T=2.55	AR	AR	AR		
92180B	92180-1018	SHIM,T=2.60	AR	AR	AR		
92180C	92180-1020	SHIM,T=2.65	AR	AR	AR		
92180D	92180-1022	SHIM,T=2.70	AR	AR	AR		
92180E	92180-1024	SHIM,T=2.75	AR	AR	AR		
92180F	92180-1026	SHIM,T=2.80	AR	AR	AR		
92180G	92180-1028	SHIM,T=2.85	AR	AR	AR		
92180H	92180-1030	SHIM,T=2.90	AR	AR	AR		
92180I	92180-1032	SHIM,T=2.95	AR	AR	AR		
92180J	92180-1034	SHIM,T=3.00	8	8	8		
92180K	92180-1036	SHIM,T=3.05	AR	AR	AR		
92180L	92180-1038	SHIM,T=3.10	AR	AR	AR		
92180M	92180-1040	SHIM,T=3.15	AR	AR	AR		
92180N	92180-1042	SHIM,T=3.20	AR	AR	AR		
92180O	92180-1044	SHIM,T=3.25	AR	AR	AR		
92180P	92180-1046	SHIM,T=3.30	AR	AR	AR		
92180Q	92180-1048	SHIM,T=3.35	AR	AR	AR		
92180R	92180-1050	SHIM,T=3.40	AR	AR	AR		
92180S	92180-1052	SHIM,T=3.45	AR	AR	AR		
92180T	92180-1054	SHIM,T=3.50	AR	AR	AR		

This catalog covers:

'06~'08 EX650 A6F/A7F/A8F Engine

GRID NO.

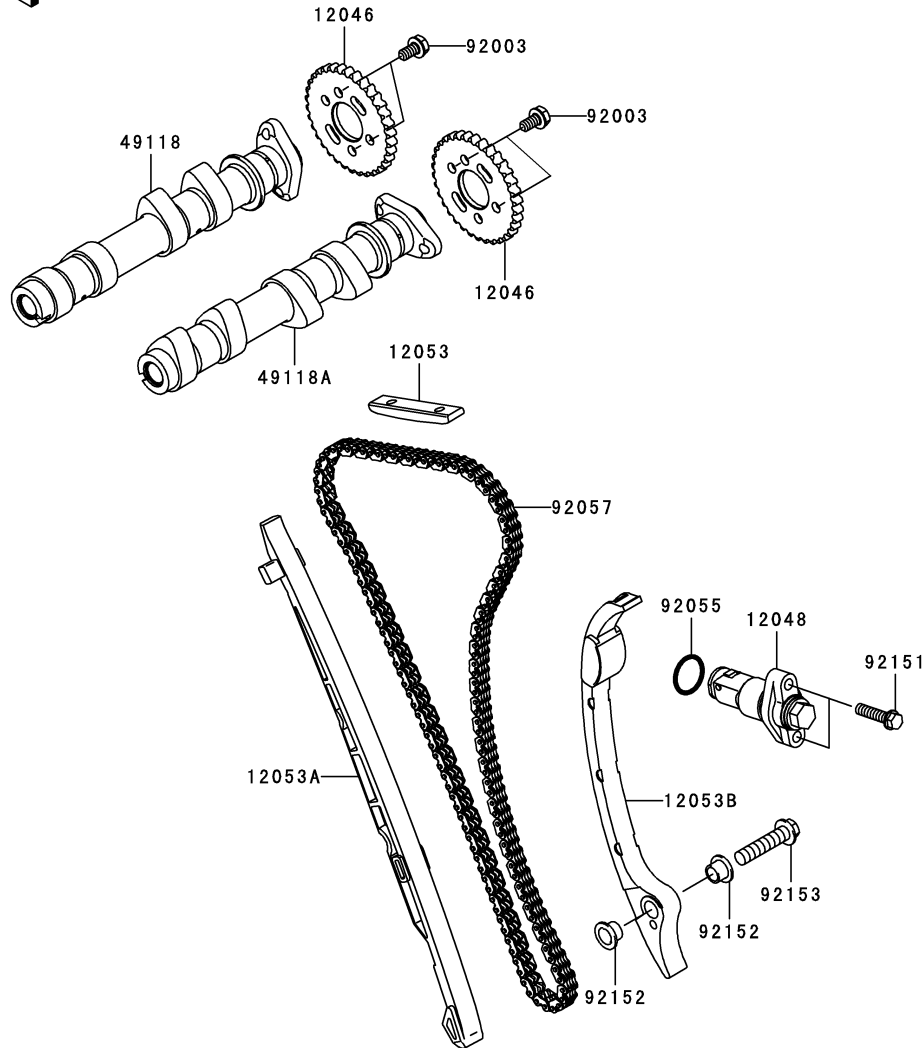
B-9

This grid covers:

Camshaft(s)/Tensioner

E1230

Ref. No.	Part No.	Description	Spec Code	Quantity-EX650		
				'06	'07	'08
				A6F	A7F	A8F
12046	12046-0041	SPROCKET,CAM,24T	2	2	2	
12048	12048-0027	TENSIONER-ASSY	1	1	1	
12053	12053-0051	GUIDE-CHAIN,UPP	1	1	1	
12053A	12053-0059	GUIDE-CHAIN,FR	1	1	1	
12053B	12053-0075	GUIDE-CHAIN,RR	1	1	1	
49118	49118-0042	CAMSHAFT-COM,EX	1	1	1	
49118A	49118-0072	CAMSHAFT-COM,IN	1	1	1	
92003	92003-208	BOLT,FLANGED,6X11	4	4	4	
92055	92055-086	RING-O,18.8X1.9	1	1	1	
92057	92057-0100	CHAIN,CAM,92RH 2015-134M	1	1	1	
92151	92151-1930	BOLT,FLANGED-SMALL,6X25	2	2	2	
92152	92152-0306	COLLAR,8.2X10.6X6.9	2	2	2	
92153	92153-1394	BOLT,FLANGED-SMALL,8X35	1	1	1	



This catalog covers:

'06~'08 EX650 A6F/A7F/A8F Engine

GRID NO.

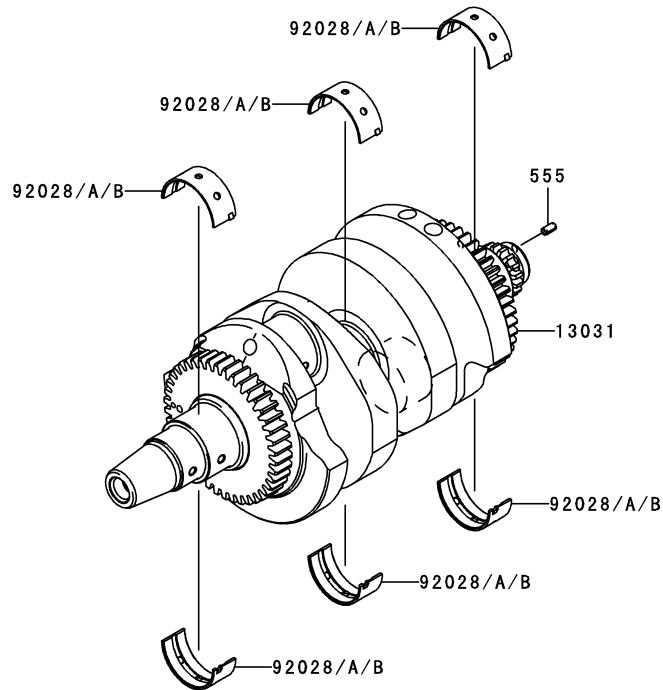
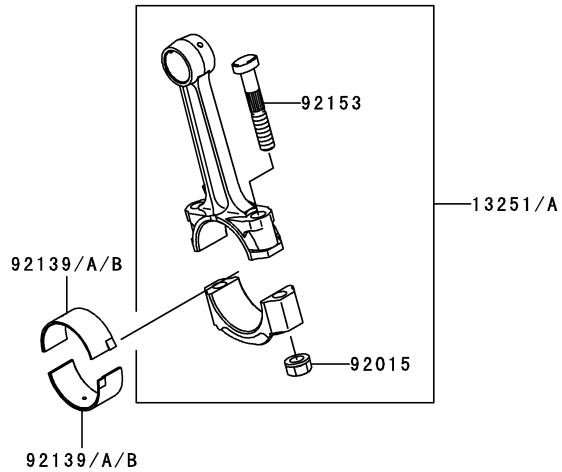
B-10

This grid covers:

Crankshaft

E1321

Ref. No.	Part No.	Description	Spec Code	Quantity-EX650		
				'06	'07	'08
				A6F	A7F	A8F
13031	13031-0064	CRANKSHAFT-COMP	1	1	1	
13251	13251-0010-JJ	ROD-ASSY-CONNECTING,J	2	2	2	
13251A	13251-0010-KK	ROD-ASSY-CONNECTING,K	AR	AR	AR	
92015	92015-1311	NUT,FLANGED,8MM	4	4	4	
92028	92028-1903	BUSHING,CRANKSHAFT,BLUE	6	6	6	
92028A	92028-1904	BUSHING,CRANKSHAFT,BLACK	AR	AR	AR	
92028B	92028-1905	BUSHING,CRANKSHAFT,BROWN	AR	AR	AR	
92139	92139-0114	BUSHING,CON-ROD,BLUE	4	4	4	
92139A	92139-0115	BUSHING,CON-ROD,BLACK	AR	AR	AR	
92139B	92139-0116	BUSHING,CON-ROD,BROWN	AR	AR	AR	
92153	92153-0957	BOLT,CON-ROD,8X49	4	4	4	
555	555A0408	PIN-SPRING,4X8	1	1	1	



This catalog covers:

'06~'08 EX650 A6F/A7F/A8F Engine

GRID NO.

B-11

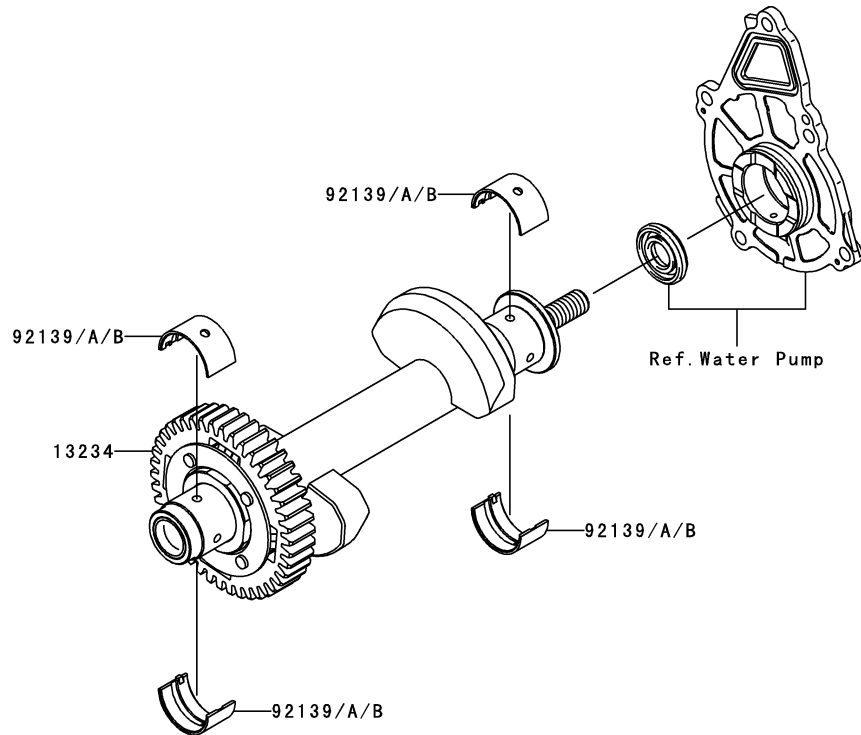
This grid covers:

Balancer



E1323

Ref. No.	Part No.	Description	Spec Code	Quantity-EX650		
				'06	'07	'08
				A6F	A7F	A8F
13234	13234-0024	SHAFT-COMP,BALANCER	1	1	1	
92139	92139-0117	BUSHING,BALANCER,BLUE	4	4	4	
92139A	92139-0118	BUSHING,BALANCER,BLACK	AR	AR	AR	
92139B	92139-0119	BUSHING,BALANCER,BROWN	AR	AR	AR	



This catalog covers:

'06~'08 EX650 A6F/A7F/A8F Engine

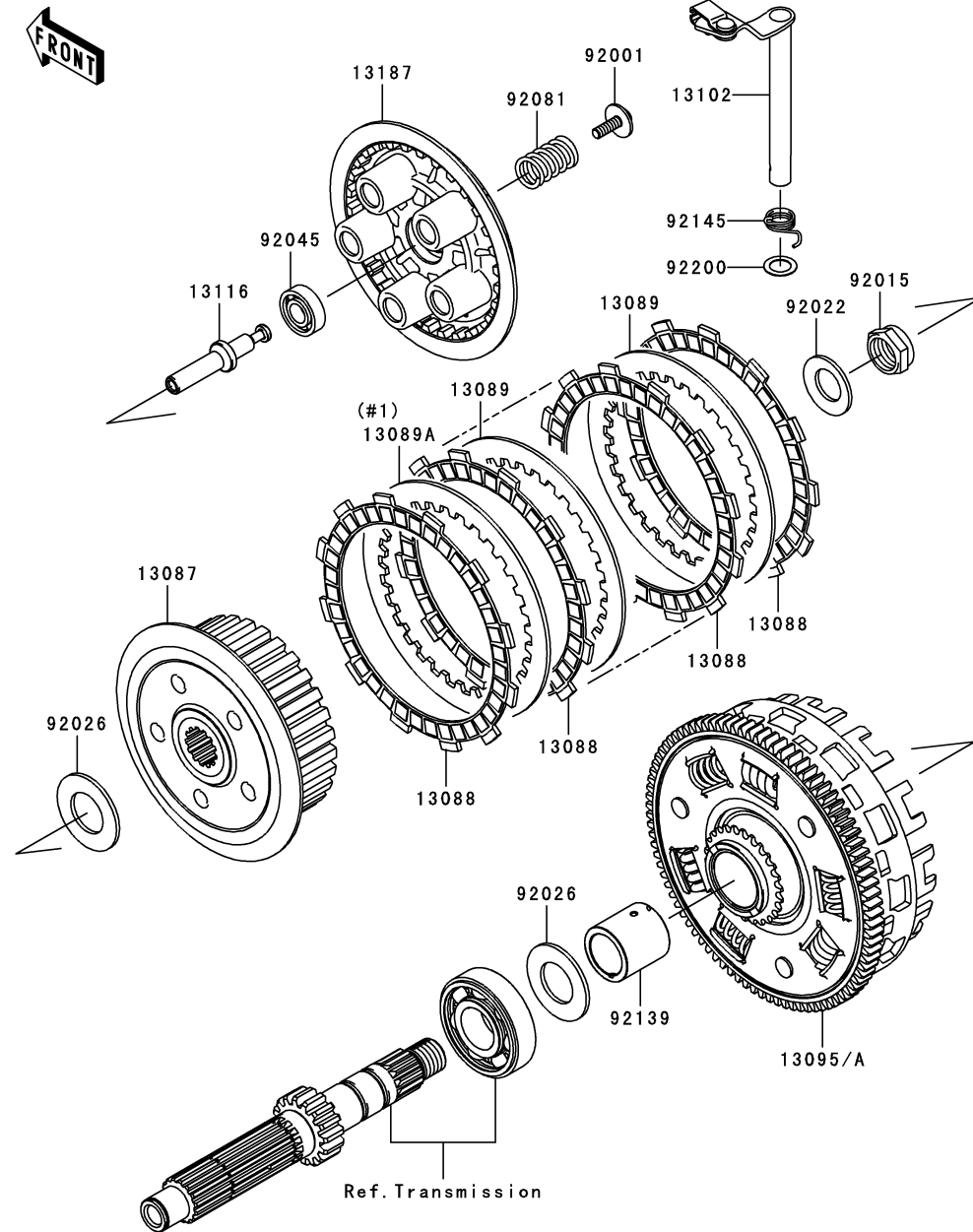
GRID NO.

B-12

This grid covers:

Clutch

E1350



Ref. No.	Part No.	Description	Spec Code	Quantity-EX650		
				'06	'07	'08
				A6F	A7F	A8F
13087	13087-042	HUB-CLUTCH	1	1	1	
13088	13088-1105	PLATE-FRICTION	7	7	7	
13089	13089-0016	PLATE-CLUTCH,T=2.3	5	5	5	
13089A	13089-0017	PLATE-CLUTCH,T=2.6	1	1	1	
13095	13095-0059	HOUSING-COMP-CLUTCH	1	1		
13095A	13095-0066	HOUSING-COMP-CLUTCH			1	
13102	13102-0021	RELEASE-COMP-CLUTCH	1	1	1	
13116	13116-0018	ROD-PUSH	1	1	1	
13187	13187-1006	PLATE-CLUTCH OPERATING	1	1	1	
92001	92001-1066	BOLT,FLANGED,6X18	5	5	5	
92015	92015-1555	NUT,20MM	1	1	1	
92022	92022-1868	WASHER,20.3X36X3.7	1	1	1	
92026	92026-022	SPACER,25.5X47X2.5	2	2	2	
92045	92045-1235	BEARING-BALL,6001C3ML01	1	1	1	
92081	92081-1033	SPRING,CLUTCH	5	5	5	
92139	92139-0106	BUSHING	1	1	1	
92145	92145-0066	SPRING,CLUTCH RELEASE	1	1	1	
92200	92200-1487	WASHER,12X18.5X0.5	1	1	1	

This catalog covers:

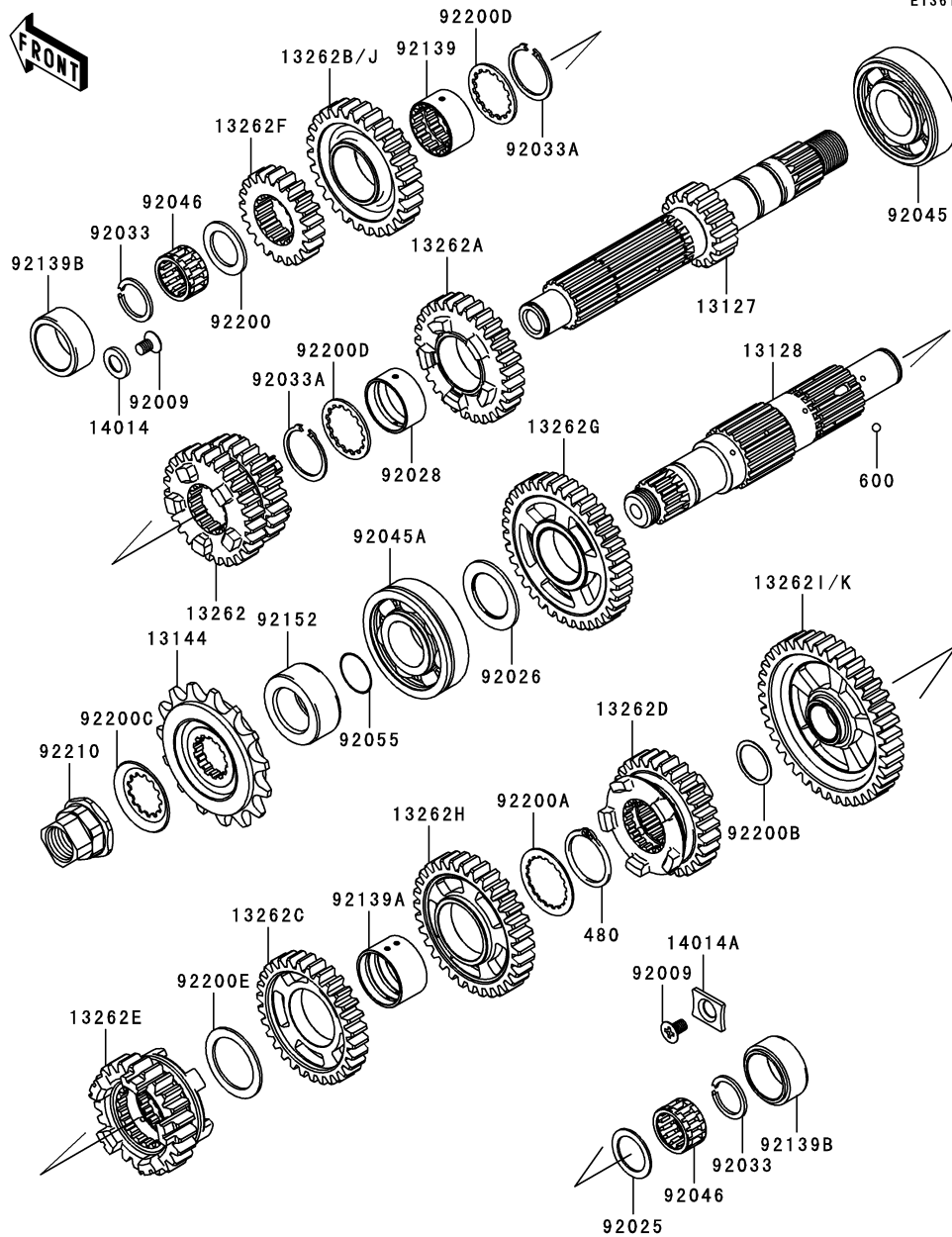
'06~'08 EX650 A6F/A7F/A8F Engine

GRID NO.

B-13

This grid covers:

Transmission



Ref. No.	Part No.	Description	Spec Code	Quantity-EX650		
				'06	'07	'08
				A6F	A7F	A8F
13127	13127-0028	SHAFT-TRANSMISSION INPUT,16T	1	1	1	
13128	13128-0020	SHAFT-TRANSMISSION OUTPUT	1	1	1	
13144	13144-0024	SPROCKET-OUTPUT,15T,#520	1	1	1	
13262	13262-0245	GEAR,INPUT 3RD&4TH,24T&27T	1	1	1	
13262A	13262-0246	GEAR,INPUT 5TH,29T	1	1	1	
13262B	13262-0247	GEAR,INPUT TOP,27T	1	1		
13262C	13262-0251	GEAR,OUTPUT 4TH,30T	1	1	1	
13262D	13262-0252	GEAR,OUTPUT 5TH,28T	1	1	1	
13262E	13262-0253	GEAR,OUTPUT TOP,23T	1	1	1	
13262F	13262-0335	GEAR,INPUT 2ND,21T	1	1	1	
13262G	13262-0337	GEAR,OUTPUT 2ND,36T	1	1	1	
13262H	13262-0338	GEAR,OUTPUT 3RD,32T	1	1	1	
13262I	13262-0346	GEAR,OUTPUT LOW,39T	1	1		
13262J	13262-0447	GEAR,INPUT TOP,27T			1	
13262K	13262-0498	GEAR,OUTPUT LOW,39T			1	
14014	14014-0019	PLATE-POSITION,9.5X17X2.3	1	1	1	
14014A	14014-0020	PLATE-POSITION,RH	1	1	1	
92009	92009-1375	SCREW,6X10	2	2	2	
92025	92025-1455	SHIM,20.3X28X1.1	1	1	1	
92026	92026-1529	SPACER,25.3X39X2.0	1	1	1	
92028	92028-1449	BUSHING,INPUT GEAR	1	1	1	
92033	92033-015	RING-SNAP,20MM	2	2	2	
92033A	92033-1037	RING-SNAP,25.9X30.6X1.2	2	2	2	
92045	92045-0042	BEARING-BALL,25X62X17	1	1	1	
92045A	92045-1224	BEARING-BALL,6305N2SH2	1	1	1	
92046	92046-1185	BEARING-NEEDLE,KMJ20X26X13.8X1	2	2	2	
92055	92055-1293	RING-O,21.5X1.5	1	1	1	
92139	92139-0107	BUSHING,INPUT TOP GEAR	1	1	1	
92139A	92139-0108	BUSHING,OUT 3RD&4TH GEAR	1	1	1	
92139B	92139-0120	BUSHING,BEARING-NEEDLE	2	2	2	
92152	92152-0300	COLLAR,25X40X17.2	1	1	1	
92200	92200-0221	WASHER,20.2X30X1.8	1	1	1	
92200A	92200-0222	WASHER,30.3X38X1.0	1	1	1	
92200B	92200-0291	WASHER,20.2X25.0X0.5	1	1	1	
92200C	92200-1065	WASHER	1	1	1	
92200D	92200-1240	WASHER,28.5X34.0X1.5	2	2	2	
92200E	92200-1278	WASHER,29.9X40X1.5	1	1	1	
92210	92210-0222	NUT,M20,L=24MM	1	1	1	
480	480J2900	CIRCLIP	1	1	1	
600	600A0500	BALL-STEEL,5/32"	3	3	3	

This catalog covers:

'06~'08 EX650 A6F/A7F/A8F Engine

GRID NO.

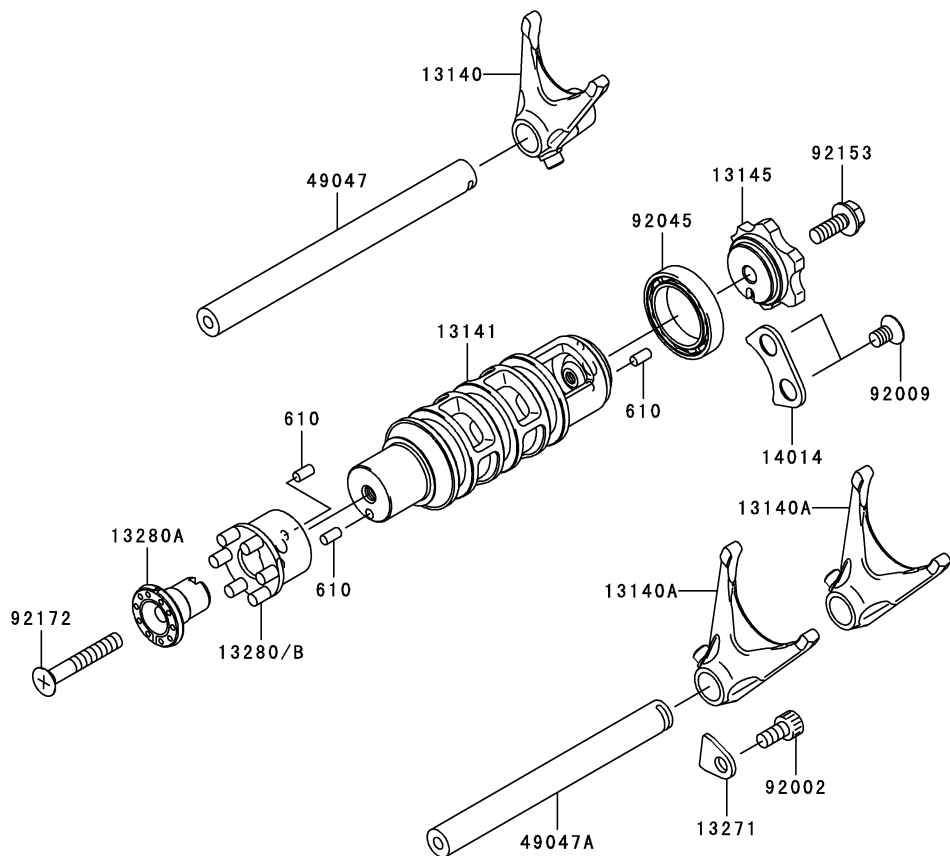
B-14

This grid covers:

Gear Change Drum/Shift Fork(s)

E1362

Ref. No.	Part No.	Description	Spec Code	Quantity-EX650		
				'06 A6F	'07 A7F	'08 A8F
13140	13140-0025	FORK-SHIFT,INPUT		1	1	1
13140A	13140-0026	FORK-SHIFT,OUTPUT		2	2	2
13141	13141-0018	DRUM-CHANGE		1	1	1
13145	13145-0020	CAM-CHANGE DRUM		1	1	1
13271	13271-0626	PLATE		1	1	1
13280	13280-0137	HOLDER		1	1	
13280A	13280-0183	HOLDER,NEUTRAL SWITCH		1	1	1
13280B	13280-0192	HOLDER				1
14014	14014-0018	PLATE-POSITION		1	1	1
49047	49047-0019	ROD-SHIFT,INPUT		1	1	1
49047A	49047-0020	ROD-SHIFT,OUTPUT		1	1	1
92002	92002-1796	BOLT,SOCKET,6X12		1	1	1
92009	92009-1375	SCREW,6X10		2	2	2
92045	92045-1122	BEARING-BALL,6805		1	1	1
92153	92153-0958	BOLT,FLANGED,6X18		1	1	1
92172	92172-0209	SCREW-CSK-CROS,6X40		1	1	1
610	610A0408	ROLLER,4X8		3	3	3



This catalog covers:

'06~'08 EX650 A6F/A7F/A8F Engine

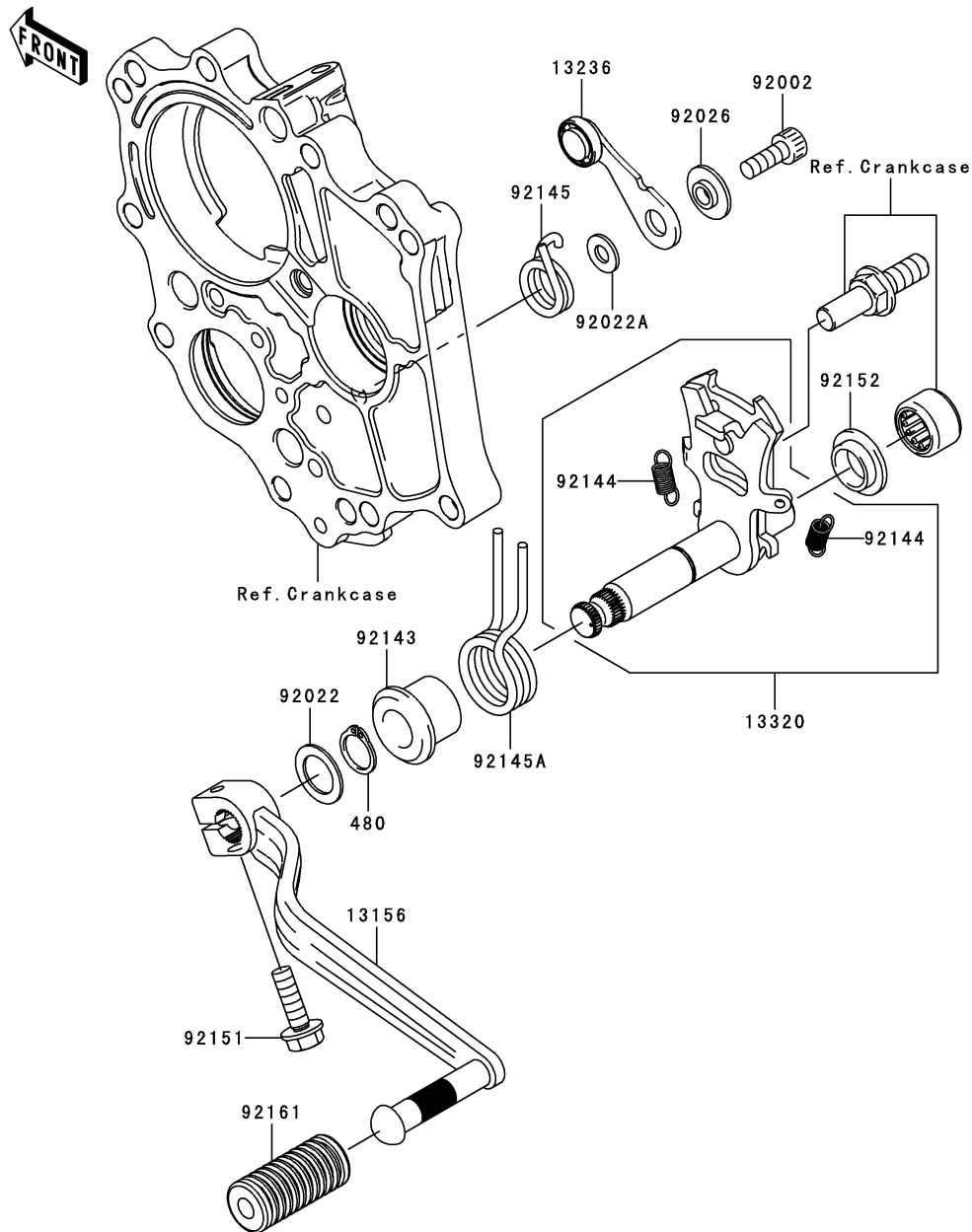
GRID NO.

C-3

This grid covers:

Gear Change Mechanism

E1370



Ref. No.	Part No.	Description	Quantity-EX650		
			'06	'07	'08
			A6F	A7F	A8F
13156	13156-0072	LEVER-CHANGE,PEDAL	1	1	1
13236	13236-0094	LEVER-COMP,POSITION	1	1	1
13320	13320-0010	LEVER-ASSY	1	1	1
92002	92002-1778	BOLT,SOCKET,6X16	1	1	1
92022	92022-1496	WASHER,13.3X20X1	1	1	1
92022A	92022-1827	WASHER,6X12.8X1.2	1	1	1
92026	92026-1217	SPACER	1	1	1
92143	92143-1498	COLLAR,RETURN SPRING	1	1	1
92144	92144-1975	SPRING,CHANGE LEVER	2	2	2
92145	92145-0304	SPRING,POSITION	1	1	1
92145A	92145-0326	SPRING,RETURN	1	1	1
92151	92151-1226	BOLT,FLANGED,6X20	1	1	1
92152	92152-1075	COLLAR	1	1	1
92161	92161-1300	DAMPER,CHANGE PEDAL	1	1	1
480	480J1300	CIRCLIP-TYPE-C,13MM	1	1	1

This catalog covers:

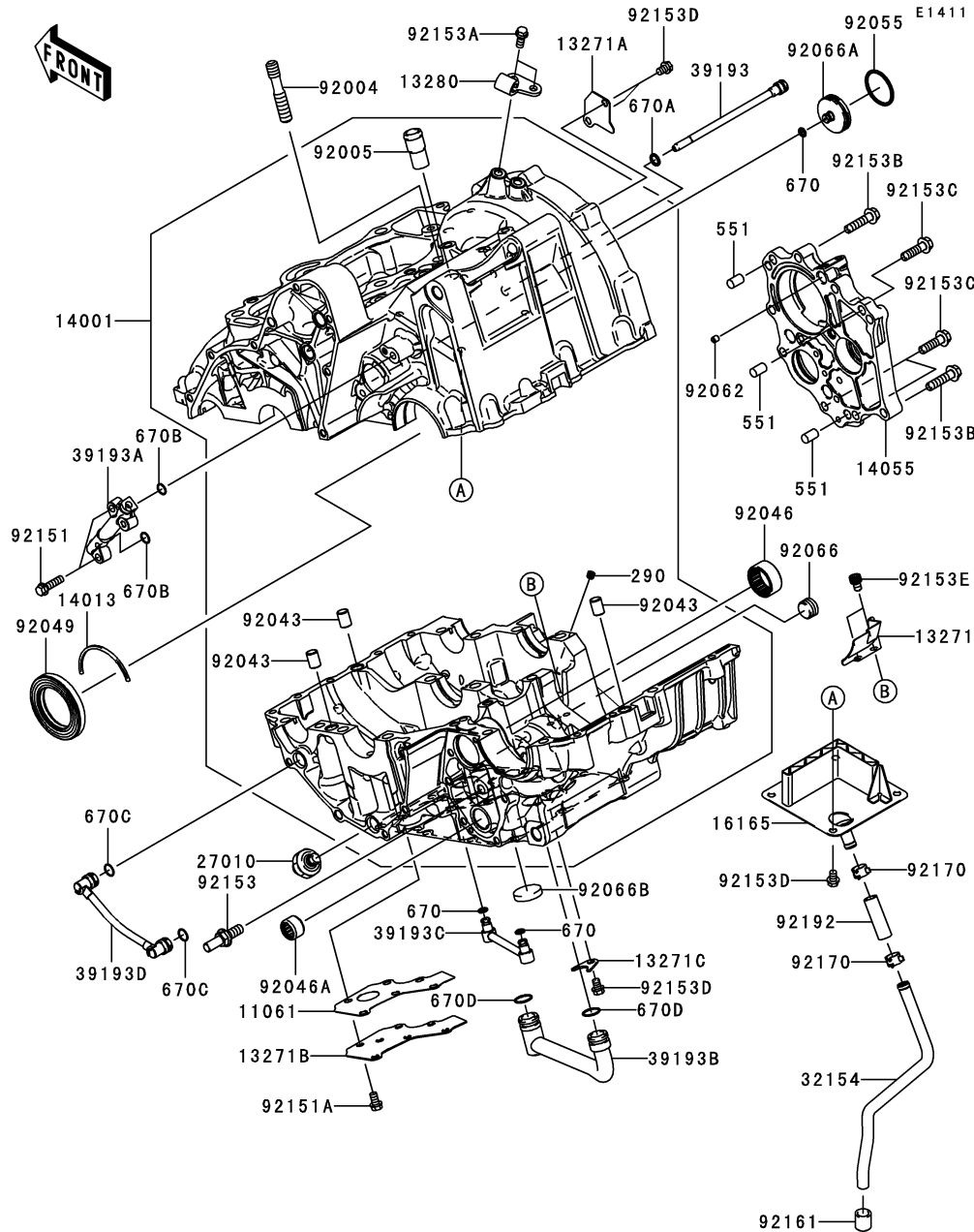
'06~'08 EX650 A6F/A7F/A8F Engine

GRID NO.

C-4

This grid covers:

Crankcase(1/2)(~ER650AE057323)



Ref. No.	Part No.	Description	Quantity-EX650			
			'06	'07	'08	
			A6F	A7F	A8F	
11061	11061-0182	GASKET	1	1		
13271	13271-0575	PLATE,OIL SHIELDING	1	1		
13271A	13271-0577	PLATE	1	1		
13271B	13271-0584	PLATE	1	1		
13271C	13271-1187	PLATE,OIL PIPE	1	1		
13280	13280-0171	HOLDER,CLUTCH CABLE	1	1		
14001	14001-0075	SET-CRANKCASE	1	1		
14013	14013-1004	RING-POSITION,T=1.98	1	1		
14055	14055-0018	CASE-GEAR	1	1		
16165	16165-0001	SEPARATOR,BREATHER	1	1		
27010	27010-1313	SWITCH,OIL PRESSURE	1	1		
32154	32154-0661	PIPE,BREATHER	1	1		
39193	39193-0029	PIPE-OIL	1	1		
39193A	39193-0030	PIPE-OIL	1	1		
39193B	39193-0031	PIPE-OIL	1	1		
39193C	39193-0032	PIPE-OIL	1	1		
39193D	39193-0033	PIPE-OIL	1	1		
92004	92004-0024	STUD,10X34.5	1	1		
92005	92005-1238	FITTING,BREATHER	1	1		
92043	92043-1037	PIN,DOWEL,10X14	3	3		
92046	92046-0017	BEARING-NEEDLE,24BTM3013	1	1		
92046A	92046-1148	BEARING-NEEDLE,HK1312	1	1		
92049	92049-1501	SEAL-OIL,HTC40628	1	1		
92055	92055-0006	RING-O,29.7X2.4	1	1		
92062	92062-1086	NOZZLE,5X6,SILVER	1	1		
92066	92066-0003	PLUG,PT3/8X10	1	1		
92066A	92066-0056	PLUG,INPUT SHAFT	1	1		
92066B	92066-0061	PLUG,25X5	1	1		
92151	92151-1197	BOLT,FLANGED-SMALL,6X22	2	2		
92151A	92151-1389	BOLT,FLANGED-SMALL,6X10	6	6		
92153	92153-0530	BOLT,8X20	1	1		
92153A	92153-0542	BOLT,6X14	2	2		
92153B	92153-0962	BOLT,FLANGED,6X30	6	6		
92153C	92153-0963	BOLT,FLANGED,7X26	3	3		
92153D	92153-0964	BOLT,FLANGED-SMALL,6X8	7	7		
92153E	92153-1414	BOLT,SOCKET,6X8	2	2		
92161	92161-0267	DAMPER	1	1		
92170	92170-1167	CLAMP	2	2		
92192	92192-0225	TUBE,9X12X38	1	1		

This catalog covers:

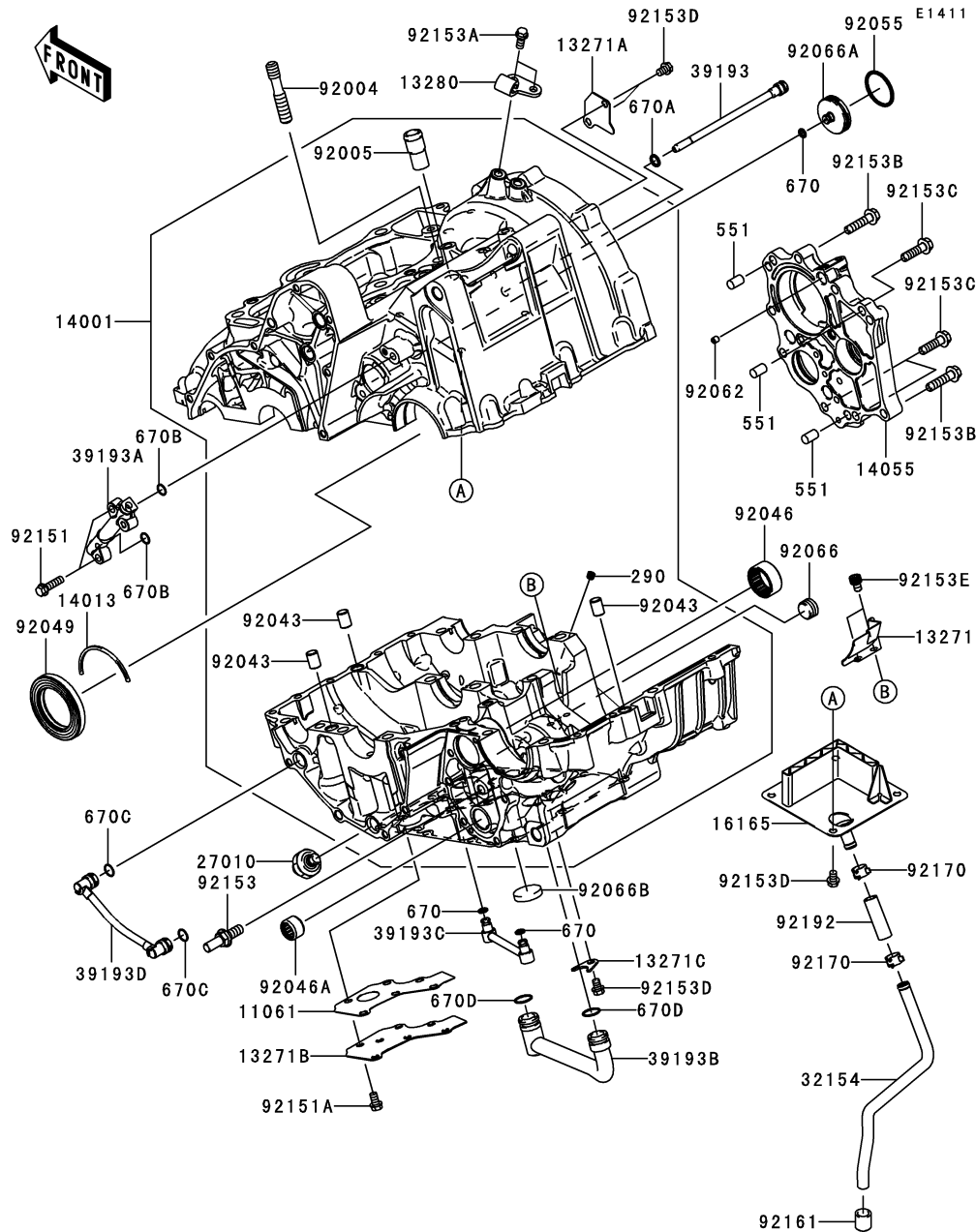
'06~'08 EX650 A6F/A7F/A8F Engine

GRID NO.

C-5

This grid covers:

Crankcase(2/2)(~ER650AE057323)



Ref. No.	Part No.	Description	Spec Code	Quantity-EX650			
				'06	'07	'08	
				A6F	A7F	A8F	
290	290Q0606	SCREW-SET-SOCKET,6X6	1	1			
551	551A0814	PIN-DOWEL,8X14	3	3			
670	670D1505	O RING	3	3			
670A	670D1508	O RING,8MM	1	1			
670B	670D1509	O RING,9MM	2	2			
670C	670D1510	O RING,10MM	2	2			
670D	670D2014	O RING,14MM	2	2			

This catalog covers:

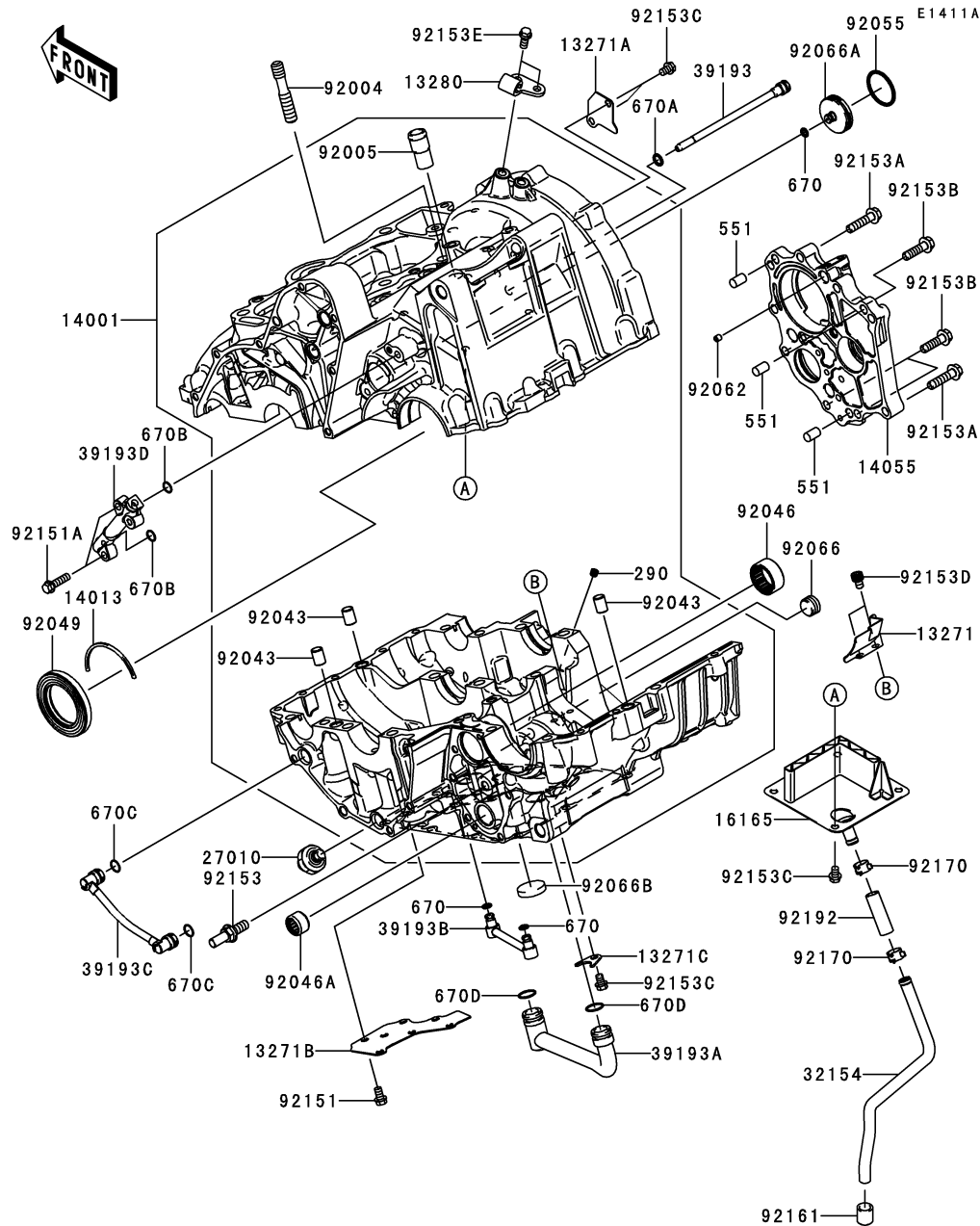
'06~'08 EX650 A6F/A7F/A8F Engine

GRID NO.

C-6

This grid covers:

Crankcase(1/2)(ER650AE057324~)



Ref. No.	Part No.	Description	Quantity-EX650			
			'06	'07	'08	
			A6F	A7F	A8F	
13271	13271-0575	PLATE,OIL SHIELDING	1	1		
13271A	13271-0577	PLATE	1	1		
13271B	13271-0584	PLATE	1	1		
13271C	13271-1187	PLATE,OIL PIPE	1	1		
13280	13280-0171	HOLDER,CLUTCH CABLE	1	1		
14001	14001-0104	SET-CRANKCASE	1	1		
14013	14013-1004	RING-POSITION,T=1.98	1	1		
14055	14055-0018	CASE-GEAR	1	1		
16165	16165-0001	SEPARATOR,BREATHER	1	1		
27010	27010-1313	SWITCH,OIL PRESSURE	1	1		
32154	32154-0661	PIPE,BREATHER	1	1		
39193	39193-0029	PIPE-OIL	1	1		
39193A	39193-0031	PIPE-OIL	1	1		
39193B	39193-0032	PIPE-OIL	1	1		
39193C	39193-0033	PIPE-OIL	1	1		
39193D	39193-0046	PIPE-OIL	1	1		
92004	92004-0024	STUD,10X34.5	1	1		
92005	92005-1238	FITTING,BREATHER	1	1		
92043	92043-1037	PIN,DOWEL,10X14	3	3		
92046	92046-0017	BEARING-NEEDLE,24BTM3013	1	1		
92046A	92046-1148	BEARING-NEEDLE,HK1312	1	1		
92049	92049-1501	SEAL-OIL,HTC40628	1	1		
92055	92055-0006	RING-O,29.7X2.4	1	1		
92062	92062-1086	NOZZLE,5X6,SILVER	1	1		
92066	92066-0003	PLUG,PT3/8X10	1	1		
92066A	92066-0056	PLUG,INPUT SHAFT	1	1		
92066B	92066-0061	PLUG,25X5	1	1		
92151	92151-1389	BOLT,FLANGED-SMALL,6X10	6	6		
92151A	92151-1937	BOLT,6X22	2	2		
92153	92153-0530	BOLT,8X20	1	1		
92153A	92153-0962	BOLT,FLANGED,6X30	6	6		
92153B	92153-0963	BOLT,FLANGED,7X26	3	3		
92153C	92153-0964	BOLT,FLANGED-SMALL,6X8	7	7		
92153D	92153-1414	BOLT,SOCKET,6X8	2	2		
92153E	92153-1805	BOLT	2	2		
92161	92161-0267	DAMPER	1	1		
92170	92170-1167	CLAMP	2	2		
92192	92192-0225	TUBE,9X12X38	1	1		
290	290Q0606	SCREW-SET-SOCKET,6X6	1	1		
551	551A0814	PIN-DOWEL,8X14	3	3		

This catalog covers:

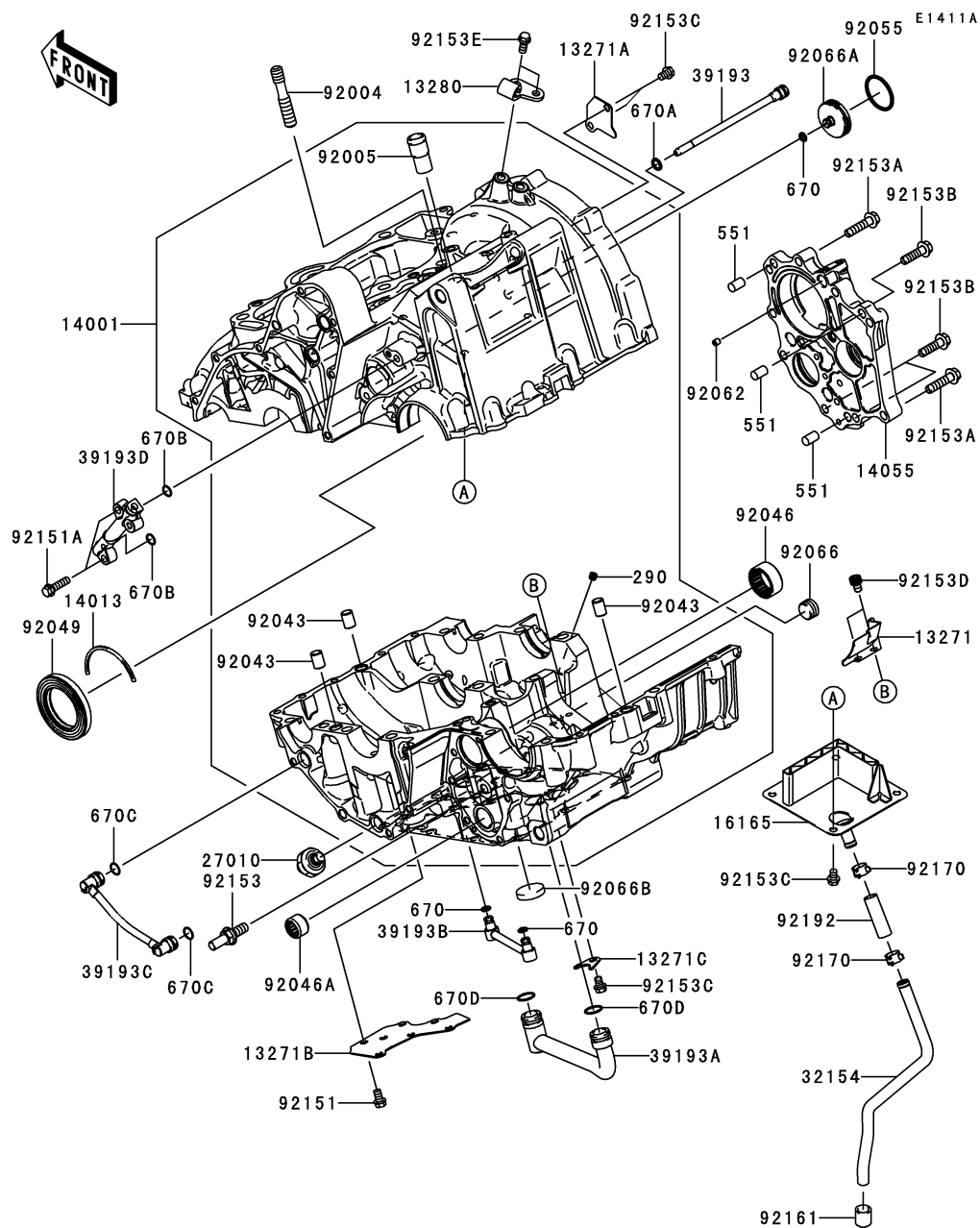
'06~'08 EX650 A6F/A7F/A8F Engine

GRID NO.

C-7

This grid covers:

Crankcase(2/2)(ER650AE057324~)



Ref. No.	Part No.	Description	Spec Code	Quantity-EX650			
				'06	'07	'08	
				A6F	A7F	A8F	
670	670D1505	O RING		3	3		
670A	670D1508	O RING,8MM		1	1		
670B	670D1509	O RING,9MM		2	2		
670C	670D1510	O RING,10MM		2	2		
670D	670D2014	O RING,14MM		2	2		

This catalog covers:

'06~'08 EX650 A6F/A7F/A8F Engine

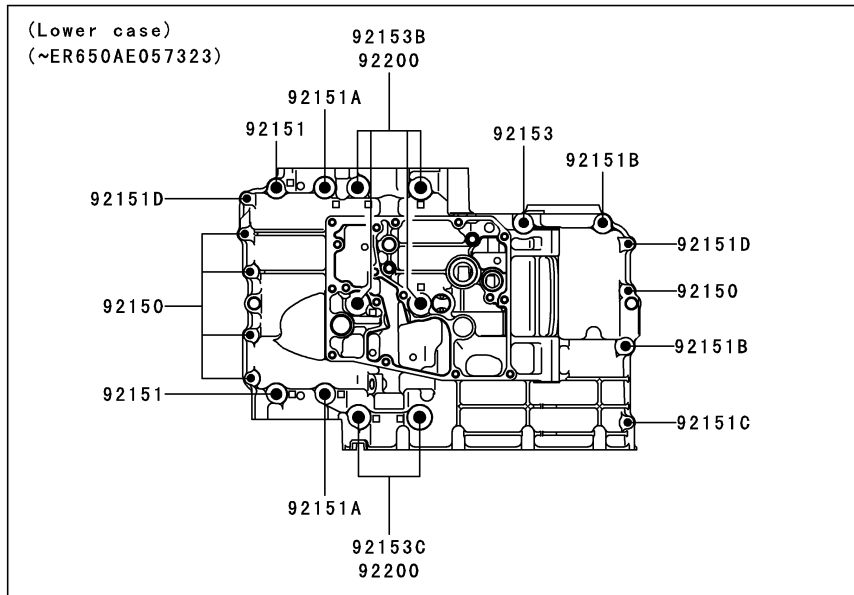
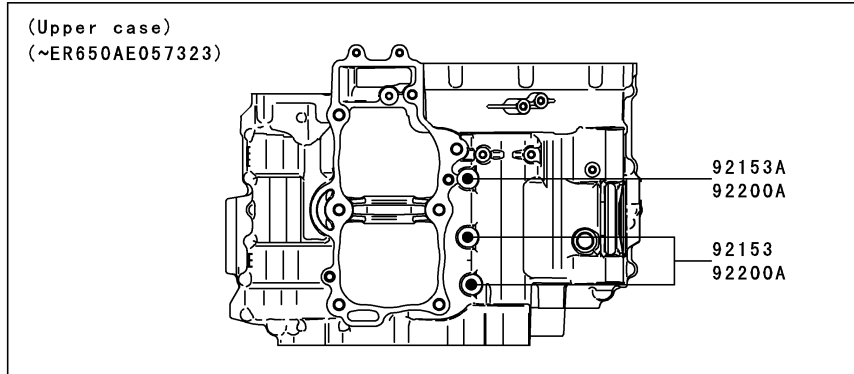
GRID NO.

C-8

This grid covers:

Crankcase Bolt Pattern

E1412



Ref. No.	Part No.	Description	Spec Code	Quantity-EX650			
				'06	'07	'08	
				A6F	A7F	A8F	
92150	92150-1301	BOLT,6X38	5	5			
92151	92151-1461	BOLT,8X60	2	2			
92151A	92151-1462	BOLT,8X73	2	2			
92151B	92151-1463	BOLT,8X50	2	2			
92151C	92151-1464	BOLT,6X32	1	1			
92151D	92151-1465	BOLT,6X45	2	2			
92153	92153-0959	BOLT,FLANGED,8X110	3	3			
92153A	92153-0960	BOLT,FLANGED,8X120	1	1			
92153B	92153-1449	BOLT,FLANGED,9X113	4	4			
92153C	92153-1450	BOLT,FLANGED,9X83	2	2			
92200	92200-0115	WASHER,9.2X19X23	6	6			
92200A	92200-1063	WASHER,8.5X16X1.2	3	3			

This catalog covers:

'06~'08 EX650 A6F/A7F/A8F Engine

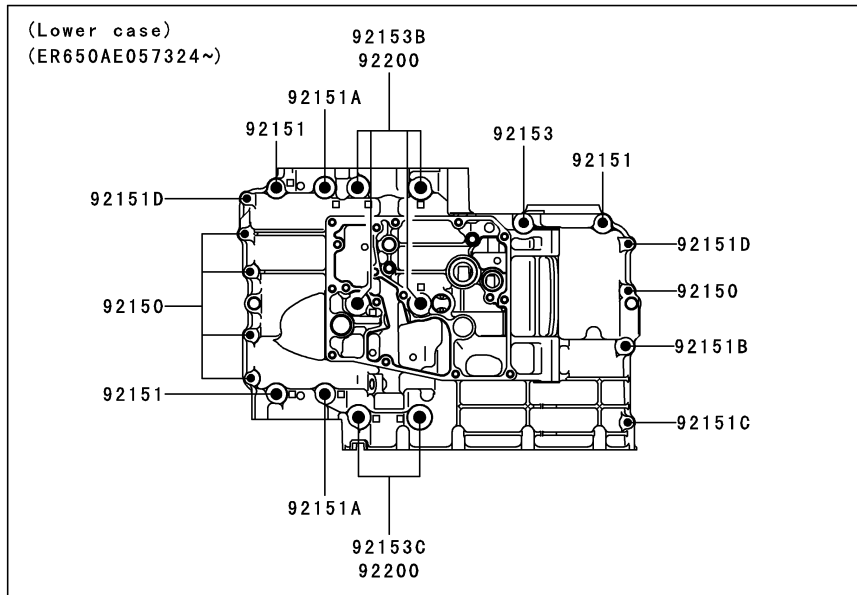
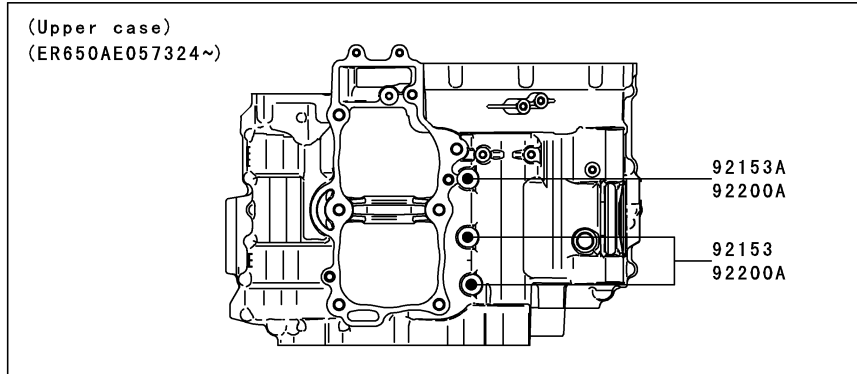
GRID NO.

C-9

This grid covers:

Crankcase Bolt Pattern

E1412A



Ref. No.	Part No.	Description	Spec Code	Quantity-EX650			
				'06	'07	'08	
				A6F	A7F	A8F	
92150	92150-1301	BOLT,6X38		5	5		
92151	92151-1461	BOLT,8X60		3	3		
92151A	92151-1462	BOLT,8X73		2	2		
92151B	92151-1463	BOLT,8X50		1	1		
92151C	92151-1464	BOLT,6X32		1	1		
92151D	92151-1465	BOLT,6X45		2	2		
92153	92153-0959	BOLT,FLANGED,8X110		3	3		
92153A	92153-0960	BOLT,FLANGED,8X120		1	1		
92153B	92153-1449	BOLT,FLANGED,9X113		4	4		
92153C	92153-1450	BOLT,FLANGED,9X83		2	2		
92200	92200-0115	WASHER,9.2X19X23		6	6		
92200A	92200-1063	WASHER,8.5X16X1.2		3	3		

This catalog covers:

'06~'08 EX650 A6F/A7F/A8F Engine

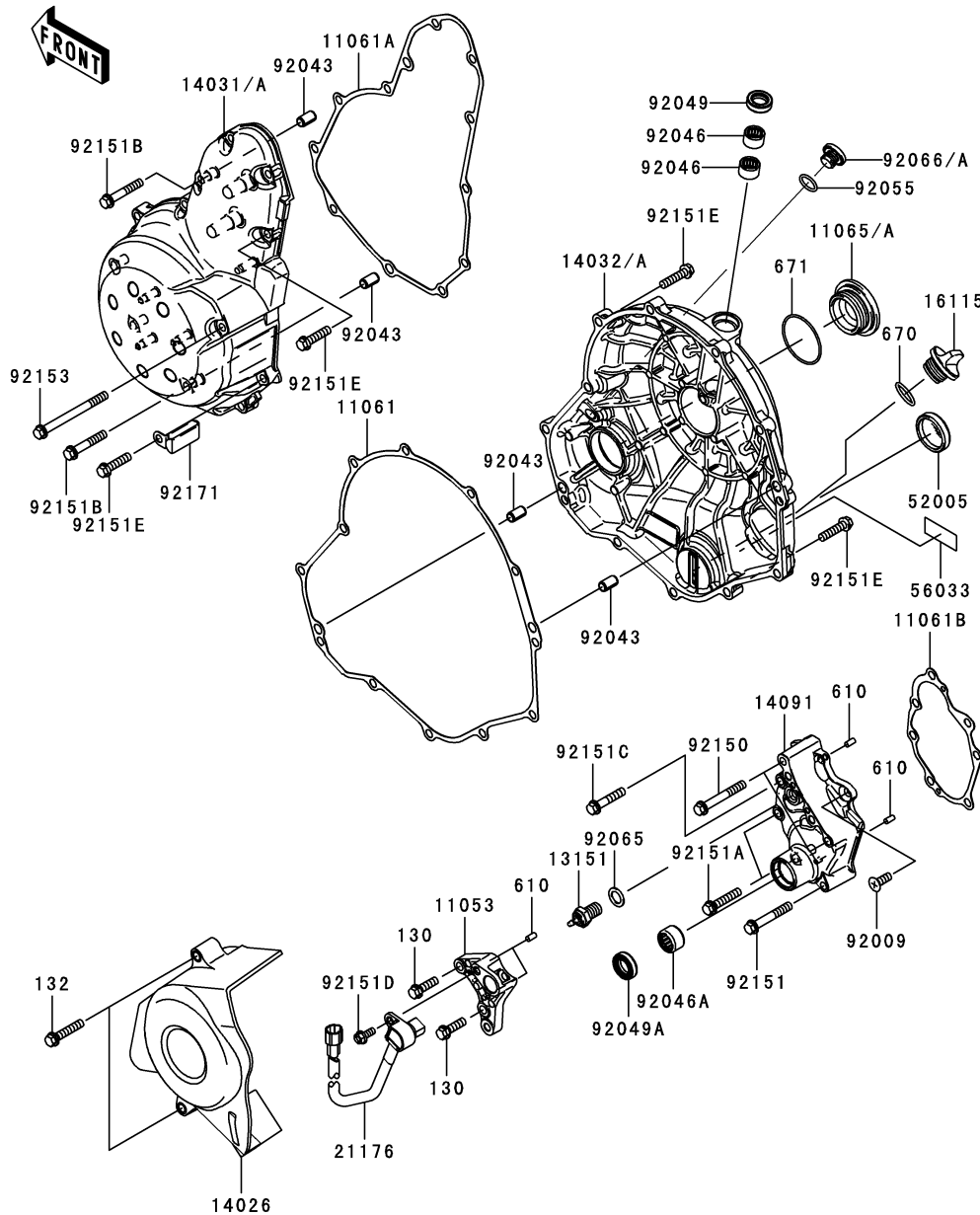
GRID NO.

C-10

This grid covers:

Engine Cover(s)

E1431



Ref. No.	Part No.	Description	Spec Code	Quantity-EX650			
				'06	'07	'08	
				A6F	A7F	A8F	
11053	11053-1739	BRACKET	1	1	1		
11061	11061-0164	GASKET,CLUTCH COVER	1	1	1		
11061A	11061-0165	GASKET,GENERATOR COVER	1	1	1		
11061B	11061-0166	GASKET,TRANSMISSION COVER	1	1	1		
11065	11065-0150	CAP	1	1			
11065A	11065-0182	CAP			1		
13151	13151-1080	SWITCH-COMP,NEUTRAL	1	1	1		
14026	14026-0021	COVER-CHAIN	1	1	1		
14031	14031-0058	COVER-GENERATOR	1	1			
14031A	14031-0078	COVER-GENERATOR			1		
14032	14032-0084	COVER-CLUTCH	1	1			
14032A	14032-0094	COVER-CLUTCH			1		
14091	14091-0445	COVER,TRANSMISSION	1	1	1		
16115	16115-1053	CAP-OIL FILLER	1	1	1		
21176	21176-0065	SENSOR,SPEED	1	1	1		
52005	52005-1057	GAUGE,OIL LEVEL	1	1	1		
56033	56033-0131	LABEL-MANUAL,OIL CAPACITY	1	1	1		
92009	92009-1360	SCREW,6X16	1	1	1		
92043	92043-1263	PIN,6.2X8X14	4	4	4		
92046	92046-1010	BEARING-NEEDLE,HK1210	2	2	2		
92046A	92046-1148	BEARING-NEEDLE,HK1312	1	1	1		
92049	92049-1475	SEAL-OIL,CLUTCH RELEASE	1	1	1		
92049A	92049-1519	SEAL-OIL,TC13225.5	1	1	1		
92055	92055-1011	RING-O,13.0X1.9	1	1	1		
92065	92065-058	GASKET,10.5X16X1	1	1	1		
92066	92066-0073	PLUG	1	1			
92066A	92066-0088	PLUG			1		
92150	92150-1884	BOLT,6X45	2	2	2		
92151	92151-1131	BOLT,6X40	1	1	1		
92151A	92151-1134	BOLT,6X30	2	2	2		
92151B	92151-1135	BOLT,6X35	2	2	2		
92151C	92151-1201	BOLT,6X30	1	1	1		
92151D	92151-1305	BOLT,FLANGED,5X12	1	1	1		
92151E	92151-1930	BOLT,FLANGED-SMALL,6X25	21	21	21		
92153	92153-0018	BOLT,FLANGED,6X70	1	1	1		
92171	92171-0911	CLAMP	1	1	1		
130	130G0620	BOLT-FLANGED,6X20	2	2	2		
132	132J0630	BOLT-FLANGED-SMALL,6X30	2	2	2		
610	610A0408	ROLLER,4X8	4	4	4		
670	670B2020	O RING,20MM	1	1	1		
671	671B2540	O RING,40MM	1	1	1		

This catalog covers:

'06~'08 EX650 A6F/A7F/A8F Engine

GRID NO.

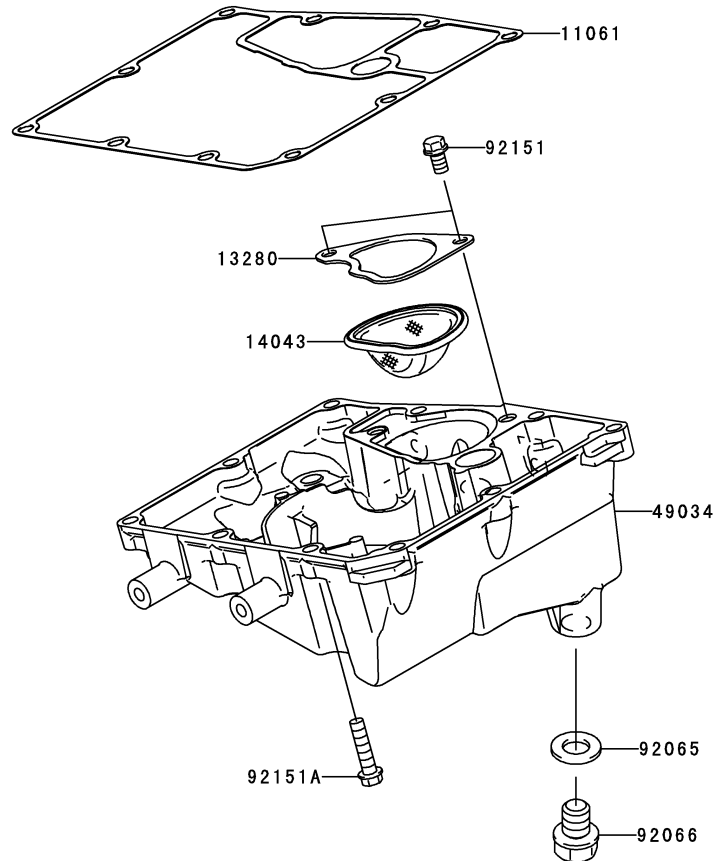
C-11

This grid covers:

Oil Pan

E1434

Ref. No.	Part No.	Description	Spec Code	Quantity-EX650		
				'06	'07	'08
				A6F	A7F	A8F
11061	11061-0167	GASKET,OIL PAN	1	1	1	
13280	13280-0134	HOLDER,OIL FILTER	1	1	1	
14043	14043-0008	FILTER,OIL(SCAVENGE)	1	1	1	
49034	49034-0014	PAN-OIL	1	1	1	
92065	92065-097	GASKET,12X22X2	1	1	1	
92066	92066-0069	PLUG,DRAIN,12X22	1	1	1	
92151	92151-1389	BOLT,FLANGED-SMALL,6X10	2	2	2	
92151A	92151-1930	BOLT,FLANGED-SMALL,6X25	10	10	10	



This catalog covers:

'06~'08 EX650 A6F/A7F/A8F Engine

GRID NO.

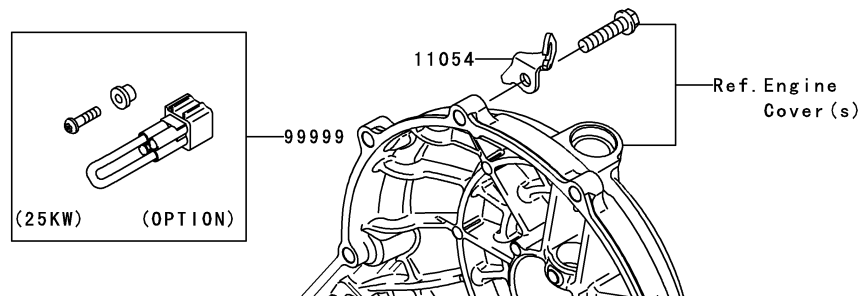
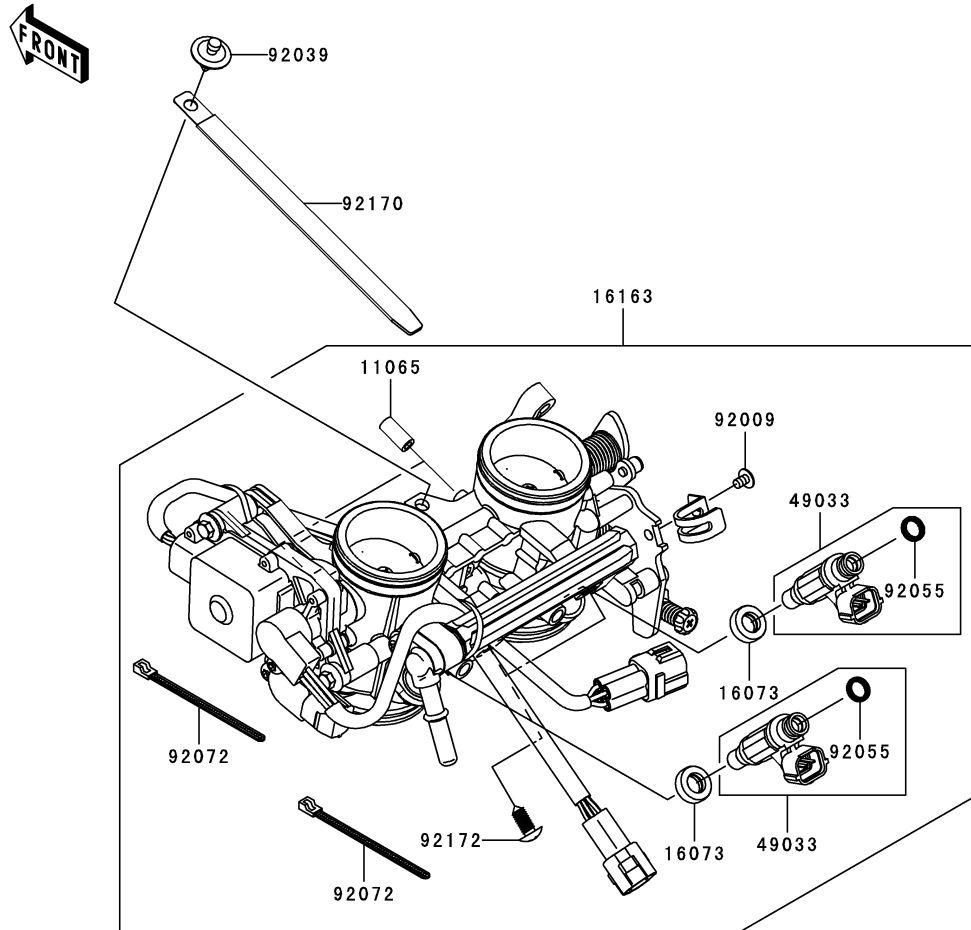
C-12

This grid covers:

Throttle

E1510

Ref. No.	Part No.	Description	Spec Code	Quantity-EX650		
				'06	'07	'08
				A6F	A7F	A8F
11054	11054-0429	BRACKET	1	1	1	
11065	11065-0018	CAP	2	2	2	
16073	16073-3707	INSULATOR	2	2	2	
16163	16163-0084	THROTTLE-ASSY	1	1	1	
49033	49033-0011	NOZZLE-INJECTION	2	2	2	
92009	92009-1860	SCREW,CLAMP	1	1	1	
92039	92039-0068	RIVET	1	1	1	
92055	92055-1622	RING-O,INJECTION NOZZLE	2	2	2	
92072	92072-0012	BAND,SUB-HARNESS	2	2	2	
92170	92170-1114	CLAMP,L=150	1	1	1	
92172	92172-0064	SCREW,PIPE INJECTION	2	2	2	
99999	99999-0076 (OPTION)	KIT,.25KW	1	1	1	



This catalog covers:

'06~'08 EX650 A6F/A7F/A8F Engine

GRID NO.

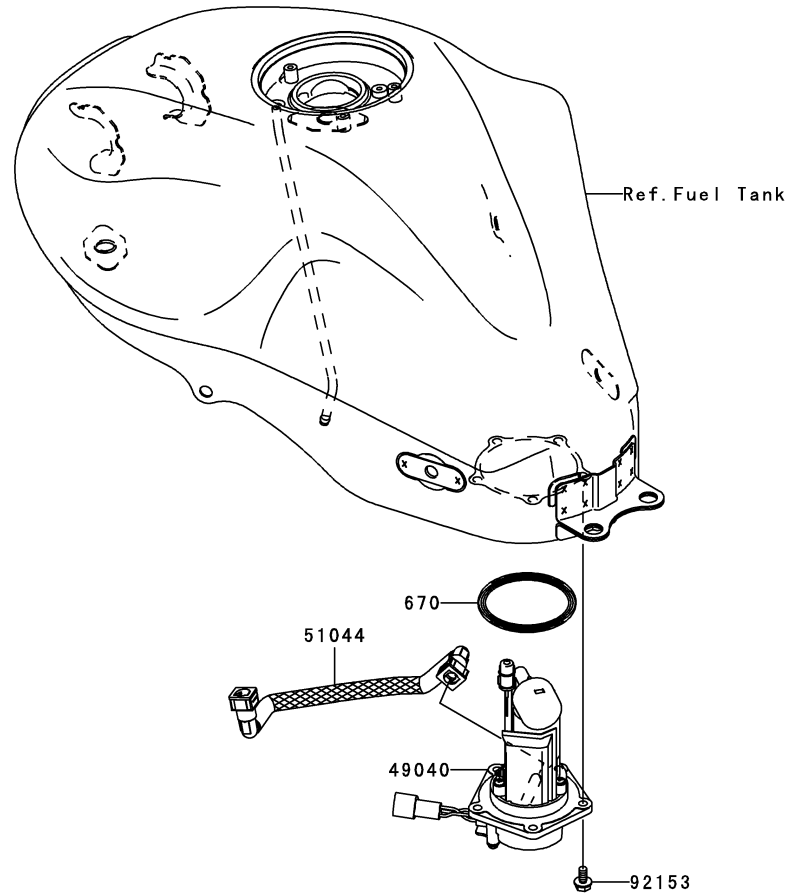
C-13

This grid covers:

Fuel Pump

E1520

Ref. No.	Part No.	Description	Spec Code	Quantity-EX650				
				'06	'07	'08		
				A6F	A7F	A8F		
49040	49040-0026	PUMP-FUEL		1	1	1		
51044	51044-0029	TUBE-ASSY		1	1	1		
92153	92153-1283	BOLT,FLANGED,6X12		5	5	5		
670	670E5065	O RING		1	1	1		



This catalog covers:

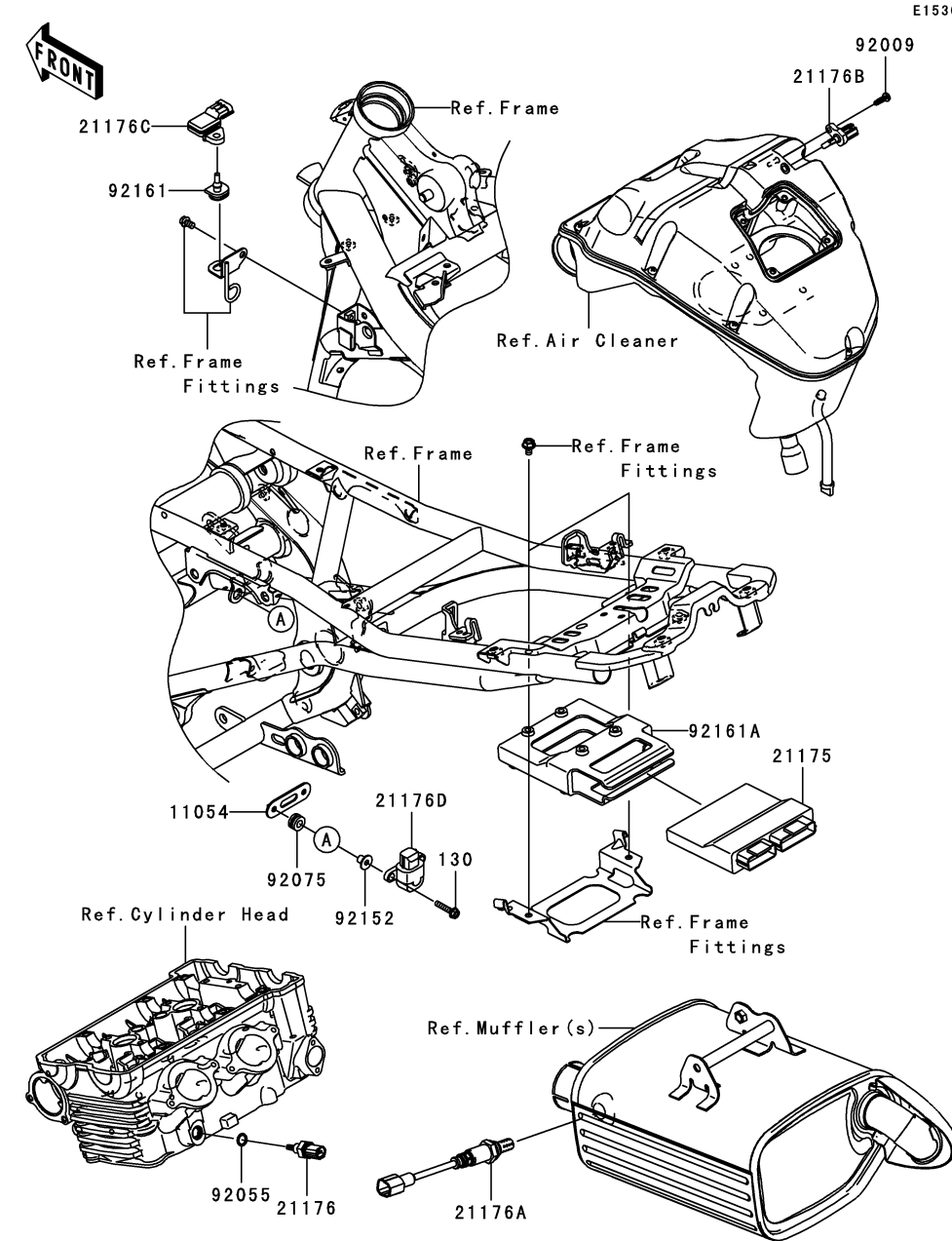
'06~'08 EX650 A6F/A7F/A8F Engine

GRID NO.

C-14

This grid covers:

Fuel Injection



Ref. No.	Part No.	Description	Spec Code	Quantity-EX650		
				'06	'07	'08
				A6F	A7F	A8F
11054	11054-0133	BRACKET	1	1	1	
21175	21175-0077	CONTROL UNIT-ELECTRONIC	1	1	1	
21176	21176-0009	SENSOR,WATER TEMP	1	1	1	
21176A	21176-0035	SENSOR,OXYGEN	1	1	1	
21176B	21176-0048	SENSOR,AIR TEMPERATURE	1	1	1	
21176C	21176-0058	SENSOR,PRESSURE	1	1	1	
21176D	21176-0067	SENSOR,VEHICLE-DOWN	1	1	1	
92009	92009-1984	SCREW,TAPPING,5X16	1	1	1	
92055	92055-0016	RING-O,9.5X1.9	1	1	1	
92075	92075-1912	DAMPER	2	2	2	
92152	92152-0134	COLLAR	2	2	2	
92161	92161-0041	DAMPER	1	1	1	
92161A	92161-0179	DAMPER	1	1	1	
130	130J0525	BOLT-FLANGED,5X25	2	2	2	

This catalog covers:

'06~'08 EX650 A6F/A7F/A8F Engine

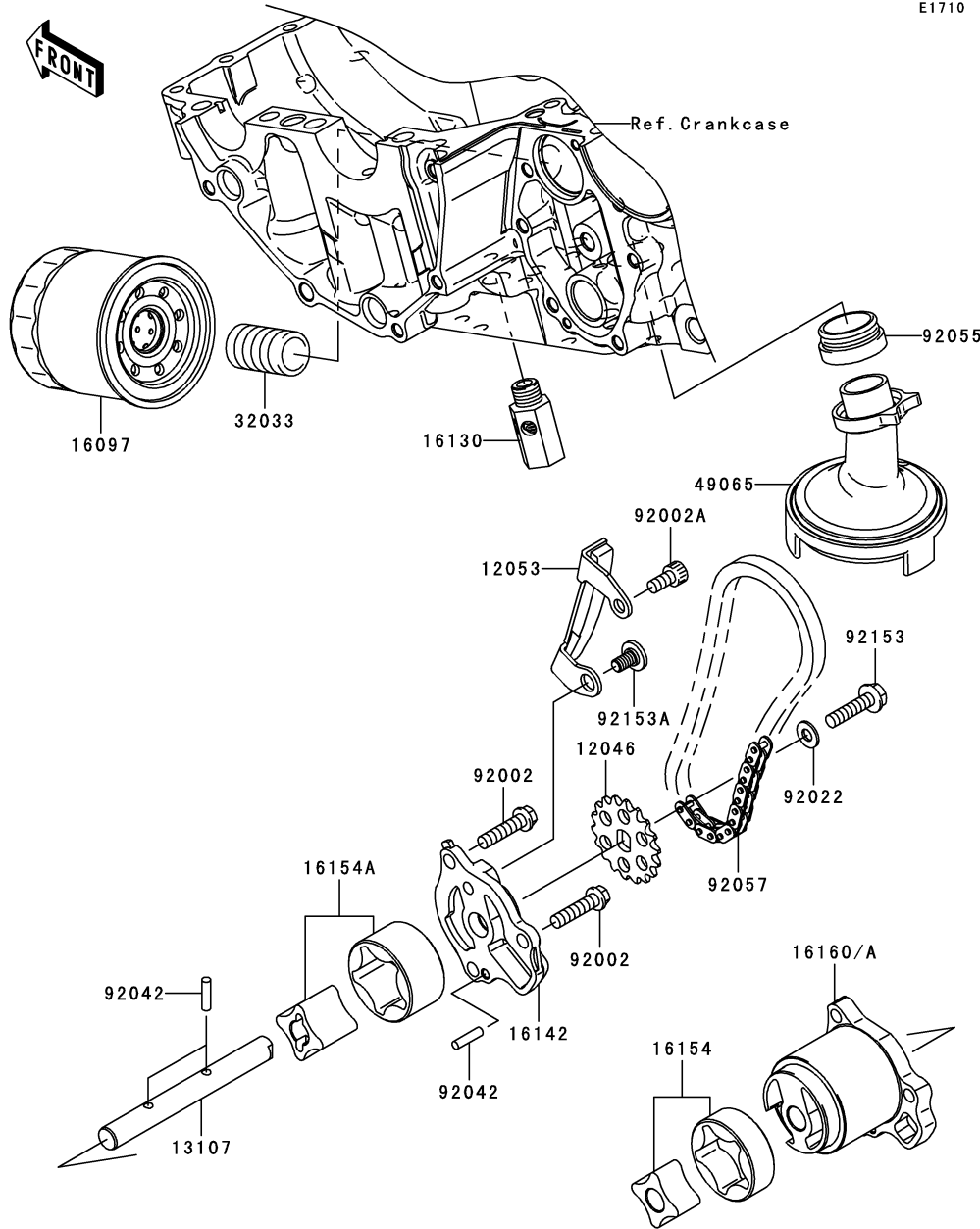
GRID NO.

D-3

This grid covers:

Oil Pump

E1710



Ref. No.	Part No.	Description	Spec Code	Quantity-EX650		
				'06	'07	'08
				A6F	A7F	A8F
12046	12046-0040	SPROCKET,18T,BF04M	1	1	1	
12053	12053-0071	GUIDE-CHAIN	1	1	1	
13107	13107-0093	SHAFT,OIL PUMP	1	1	1	
16097	16097-0004	FILTER-ASSY-OIL	1	1	1	
16130	16130-1058	VALVE-ASSY-RELIEF	1	1	1	
16142	16142-0024	COVER-PUMP	1	1	1	
16154	16154-0037	ROTOR-PUMP,L=14	1	1	1	
16154A	16154-1115	ROTOR-PUMP,40.56X22	1	1	1	
16160	16160-0083	BODY,OIL PUMP	1			
16160A	16160-0110	BODY		1	1	
32033	32033-1535	PIPE,OIL FILTER	1	1	1	
49065	49065-0011	FILTER-OIL	1	1	1	
92002	92002-1344	BOLT,6X25	3	3	3	
92002A	92002-1796	BOLT,SOCKET,6X12	1	1	1	
92022	92022-1827	WASHER,6X12.8X1.2	1	1	1	
92042	92042-014	PIN,DOWEL,4X15.8	3	3	3	
92055	92055-1354	RING-O,OIL FILTER	1	1	1	
92057	92057-0098	CHAIN,DID 215FD-DHA,56LE	1	1	1	
92153	92153-0952	BOLT,FLANGED,6X25	1	1	1	
92153A	92153-0969	BOLT,SOCKET,6X11	1	1	1	

This catalog covers:

'06~'08 EX650 A6F/A7F/A8F Engine

GRID NO.

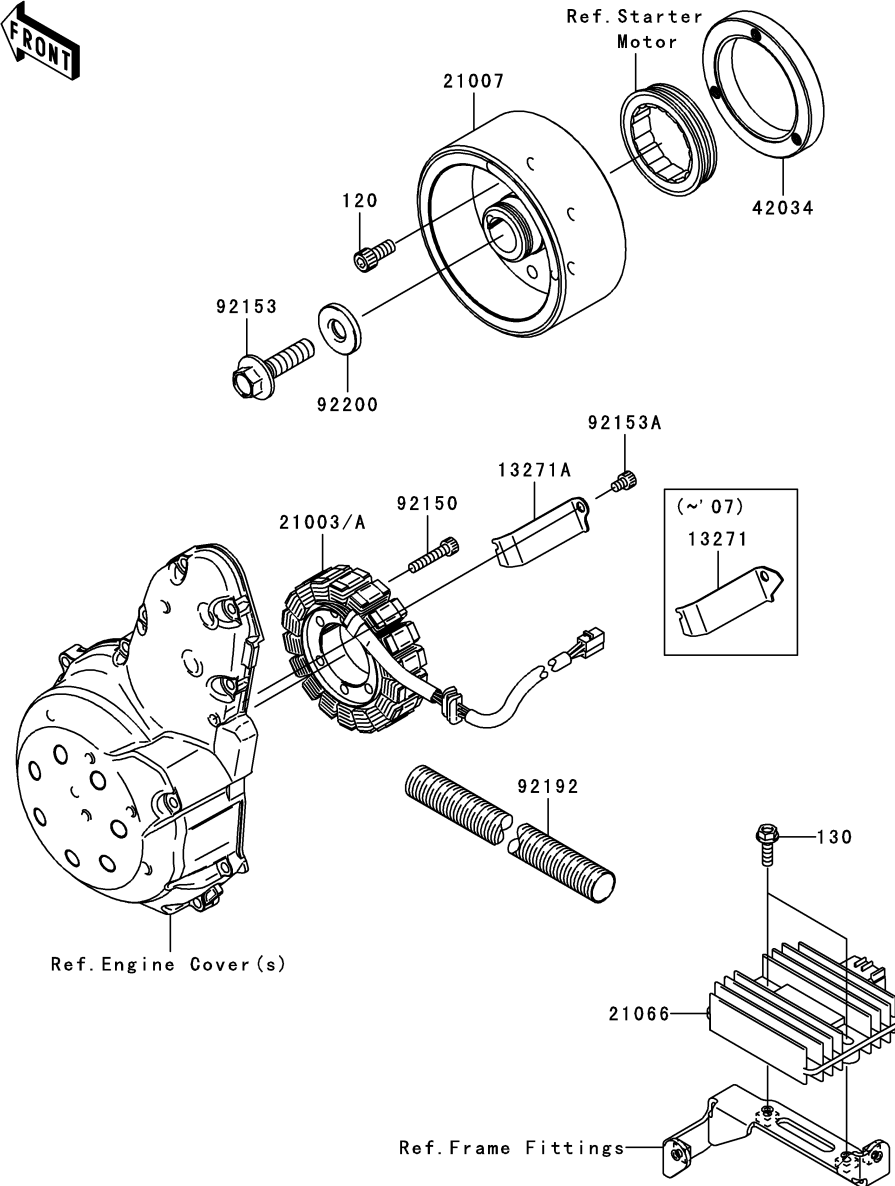
D-4

This grid covers:

Generator

E1810

Ref. No.	Part No.	Description	Spec Code	Quantity-EX650		
				'06	'07	'08
				A6F	A7F	A8F
13271	13271-0574	PLATE	1	1		
13271A	13271-0952	PLATE			1	
21003	21003-0041	STATOR	1	1		
21003A	21003-0042	STATOR			1	
21007	21007-0075	ROTOR	1	1	1	
21066	21066-1127	REGULATOR-VOLTAGE	1	1	1	
42034	42034-1143	COUPLING	1	1	1	
92150	92150-1433	BOLT, SOCKET, 6X30	3	3	3	
92153	92153-0951	BOLT, FLANGED, 12X45	1	1	1	
92153A	92153-1414	BOLT, SOCKET, 6X8	1	1	1	
92192	92192-0315	TUBE, CORRUGATED, L=175	1	1	1	
92200	92200-0220	WASHER, 12X33X5	1	1	1	
120	120P0818	BOLT-SOCKET, 8X18	3	3	3	
130	130J0620	BOLT-FLANGED, 6X20	2	2	2	



This catalog covers:

'06~'08 EX650 A6F/A7F/A8F Engine

GRID NO.

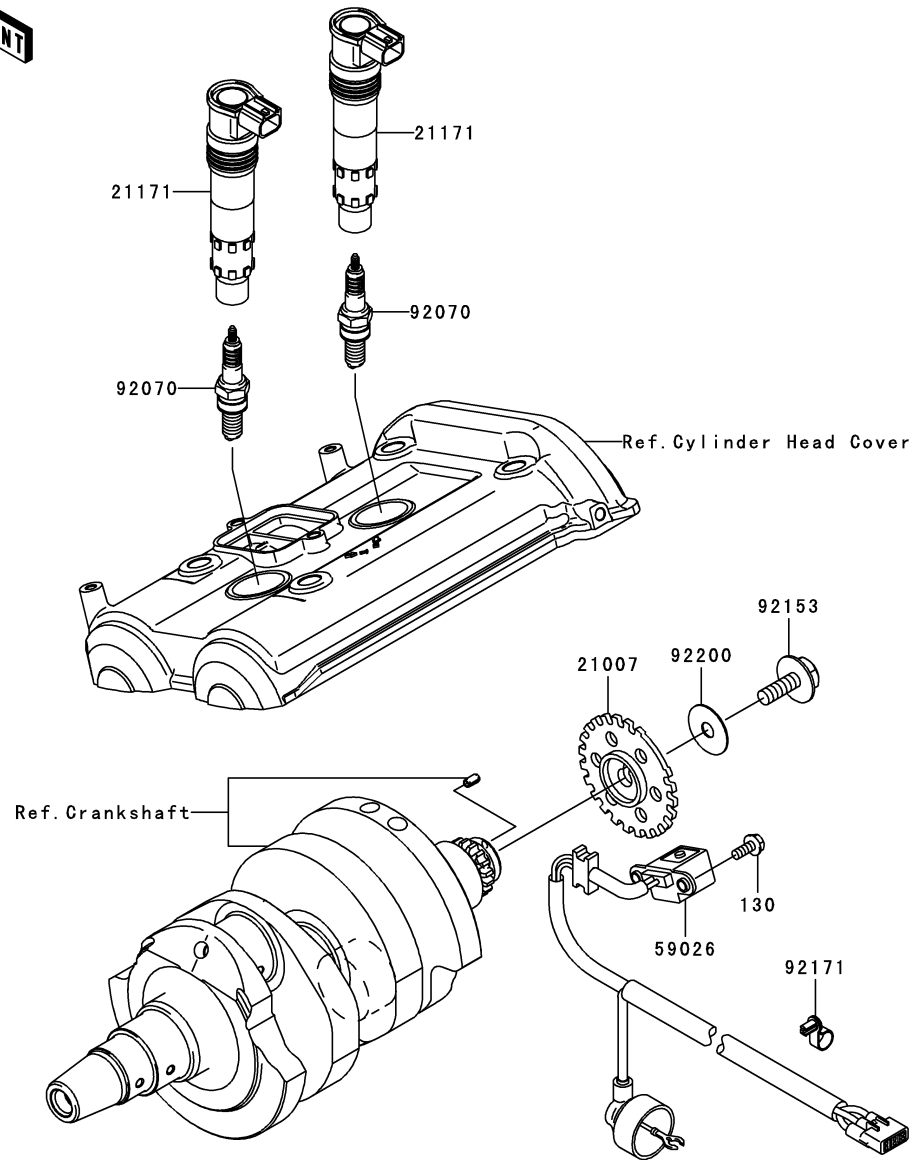
D-5

This grid covers:

Ignition System

E1830

Ref. No.	Part No.	Description	Spec Code	Quantity-EX650		
				'06	'07	'08
				A6F	A7F	A8F
21007	21007-0053	ROTOR,PULSING	1	1	1	
21171	21171-1286	COIL-ASSY-IGNITION	2	2	2	
59026	59026-0018	COIL-PULSING	1	1	1	
92070	92070-0014	PLUG-SPARK,CR9EIA(NGK)	AR	AR	AR	
92153	92153-0549	BOLT,FLANGED,8X23	1	1	1	
92171	92171-0836	CLAMP,SPEED	1	1	1	
92200	92200-0274	WASHER,8.5X28X0.8	1	1	1	
130	130G0512	BOLT-FLANGED,5X12	2	2	2	



This catalog covers:

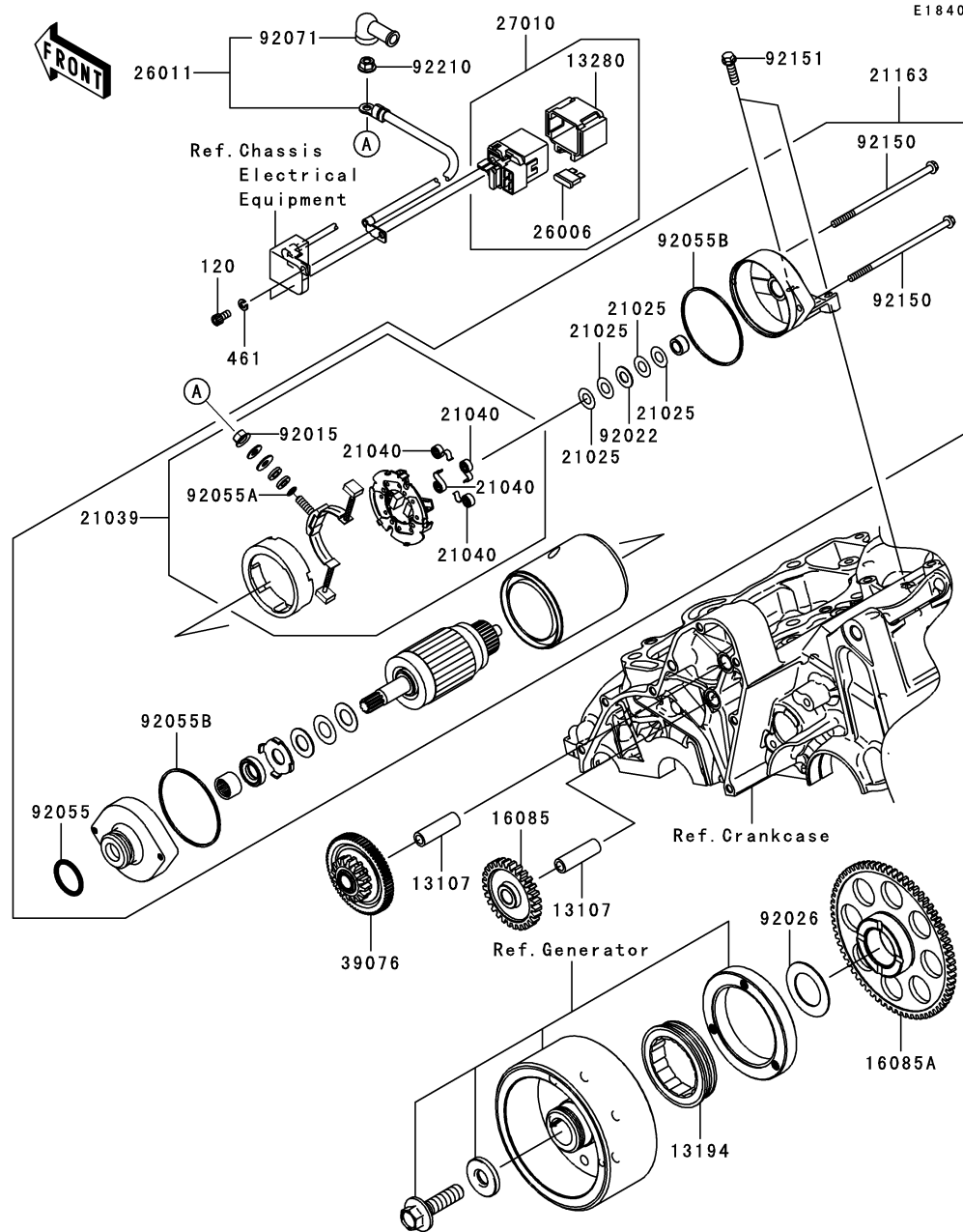
'06~'08 EX650 A6F/A7F/A8F Engine

GRID NO.

D-6

This grid covers:

Starter Motor(～ER650AE046804)



E1840

Ref. No.	Part No.	Description	Spec Code	Quantity-EX650			
				'06	'07	'08	
				A6F	A7F	A8F	
13107	13107-1106	SHAFT,IDLE GEAR		2	2		
13194	13194-1083	CLUTCH-ONEWAY		1	1		
13280	13280-1263	HOLDER		1	1		
16085	16085-0074	GEAR,IDLE,28T		1	1		
16085A	16085-0076	GEAR,67T		1	1		
21025	21025-011	WASHER,9.1X18X0.2		AR	AR		
21039	21039-1060	BRUSH,CARBON		1	1		
21040	21040-1055	SPRING-BRUSH		4	4		
21163	21163-0027	STARTER-ELECTRIC		1	1		
26006	26006-1006	FUSE,30A-G		1	1		
26011	26011-0083	WIRE-LEAD		1	1		
27010	27010-1446	SWITCH,MAGNETIC		1	1		
39076	39076-0006	LIMITER,16T&66T		1	1		
92015	92015-1476	NUT,STARTER MOTOR		1	1		
92022	92022-1132	WASHER,9.1X18X0.8		1	1		
92026	92026-087	SPACER,29.1X47.5X1.2		1	1		
92055	92055-1276	RING-O		1	1		
92055A	92055-1370	RING-O,4.5X2.0		1	1		
92055B	92055-1381	RING-O,STARTER MOTOR		2	2		
92071	92071-0024	GROMMET		1	1		
92150	92150-1143	BOLT,5X110		2	2		
92151	92151-1937	BOLT,6X22		2	2		
92210	92210-0188	NUT,6MM		1	1		
120	120S0510	BOLT-SOCKET,5X10		2	2		
461	461K0500	WASHER-SPRING,5MM,BLACK		2	2		

This catalog covers:

'06~'08 EX650 A6F/A7F/A8F Engine

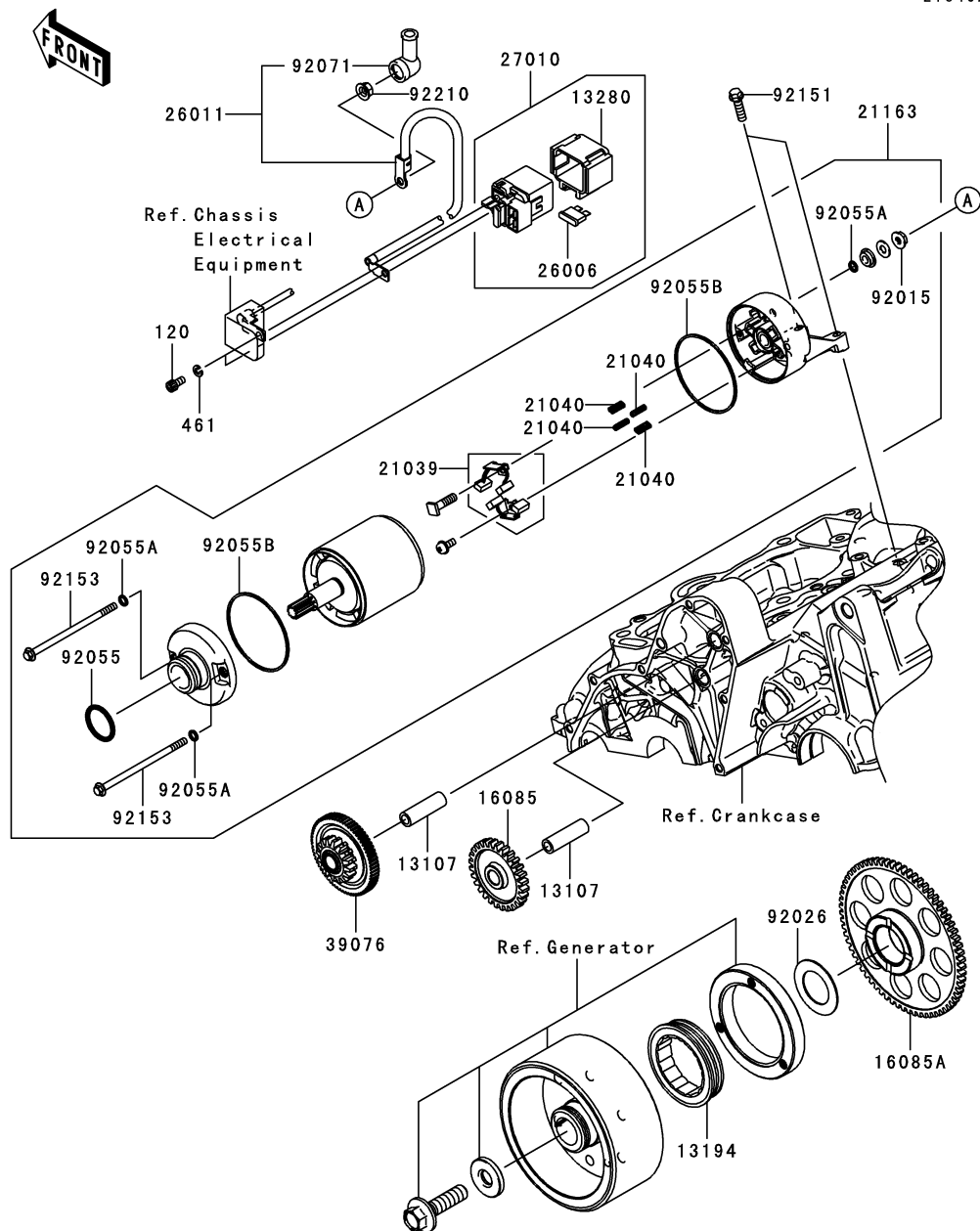
GRID NO.

D-7

This grid covers:

Starter Motor(ER650AE046805~)

E1840A



Ref. No.	Part No.	Description	Quantity-EX650			
			'06	'07	'08	
			A6F	A7F	A8F	
13107	13107-1106	SHAFT,IDLE GEAR		2	2	
13194	13194-1083	CLUTCH-ONEWAY		1	1	
13280	13280-1263	HOLDER		1	1	
16085	16085-0074	GEAR,IDLE,28T		1	1	
16085A	16085-0076	GEAR,67T		1	1	
21039	21039-0004	BRUSH,CARBON		1	1	
21040	21040-0003	SPRING-BRUSH		4	4	
21163	21163-0040	STARTER-ELECTRIC		1	1	
26006	26006-1006	FUSE,30A-G		1	1	
26011	26011-0083	WIRE-LEAD		1	1	
27010	27010-1446	SWITCH,MAGNETIC		1	1	
39076	39076-0006	LIMITER,16T&66T		1	1	
92015	92015-1476	NUT,STARTER MOTOR		1	1	
92026	92026-087	SPACER,29.1X47.5X1.2		1	1	
92055	92055-1276	RING-O		1	1	
92055A	92055-1370	RING-O,4.5X2.0		3	3	
92055B	92055-1381	RING-O,STARTER MOTOR		2	2	
92071	92071-0024	GROMMET		1	1	
92151	92151-1937	BOLT,6X22		2	2	
92153	92153-1783	BOLT		2	2	
92210	92210-0188	NUT,6MM		1	1	
120	120S0510	BOLT-SOCKET,5X10		2	2	
461	461K0500	WASHER-SPRING,5MM,BLACK		2	2	

This catalog covers:

'06~'08 EX650 A6F/A7F/A8F Engine

GRID NO.

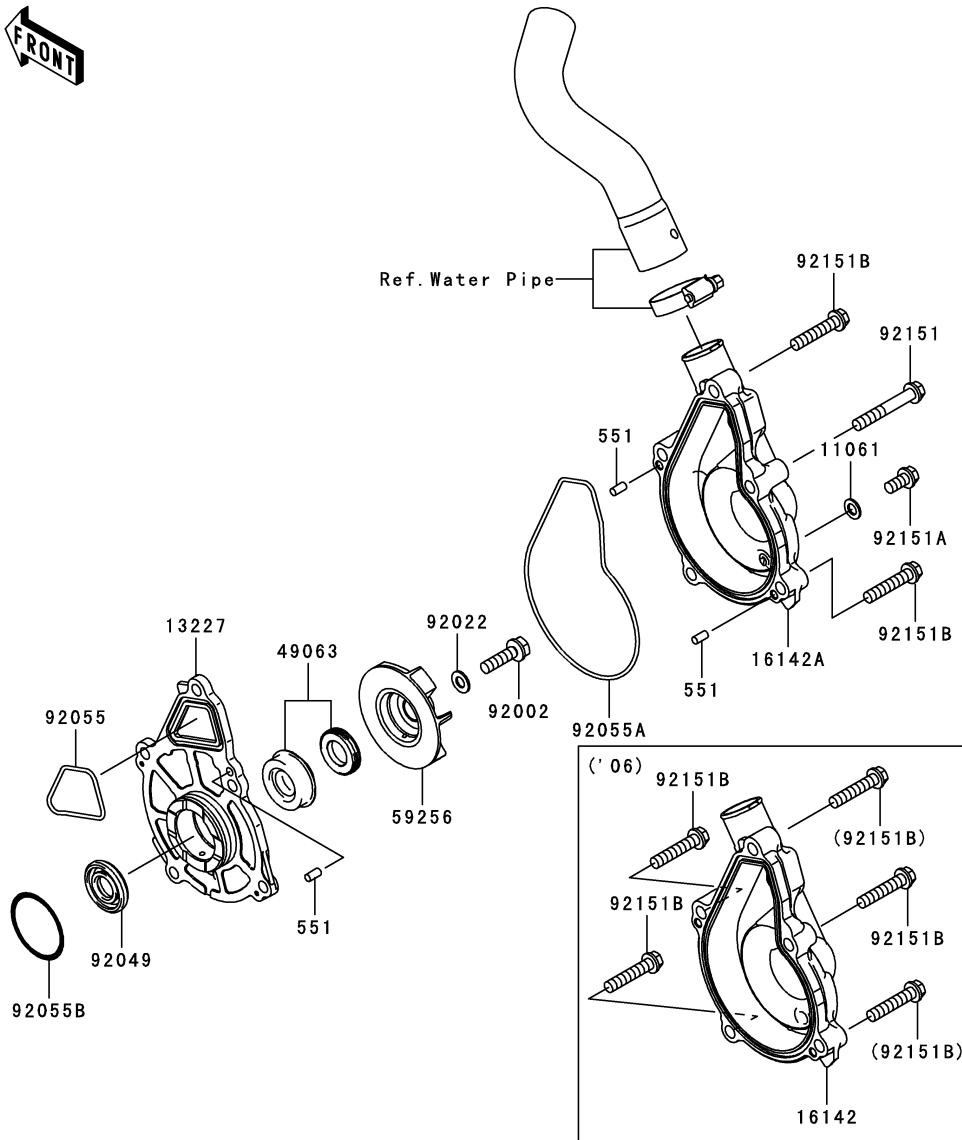
D-8

This grid covers:

Water Pump



E3031



Ref. No.	Part No.	Description	Spec Code	Quantity-EX650			
				'06	'07	'08	
				A6F	A7F	A8F	
11061	11061-0107	GASKET	1	1	1		
13227	13227-0012	HOUSING	1	1	1		
16142	16142-0025	COVER-PUMP	1				
16142A	16142-0047	COVER-PUMP		1	1		
49063	49063-1055	SEAL-MECHANICAL,WATER	1	1	1		
59256	59256-0007	IMPELLER	1	1	1		
92002	92002-1154	BOLT,6X22	1	1	1		
92022	92022-077	WASHER,6.1X12X1	1	1	1		
92049	92049-1259	SEAL-OIL,SC12 28.555	1	1	1		
92055	92055-0082	RING-O,CASE-HOUSING	1	1	1		
92055A	92055-0083	RING-O,HOUSING-PUMP COVER	1	1	1		
92055B	92055-1155	RING-O,33.2MM	1	1	1		
92151	92151-1131	BOLT,6X40		3	3		
92151A	92151-1133	BOLT,6X12	1	1	1		
92151B	92151-1134	BOLT,6X30	5	2	2		
551	551A0408	PIN-DOWEL,4X8	3	3	3		

This catalog covers:

'06~'08 EX650 A6F/A7F/A8F Engine

GRID NO.

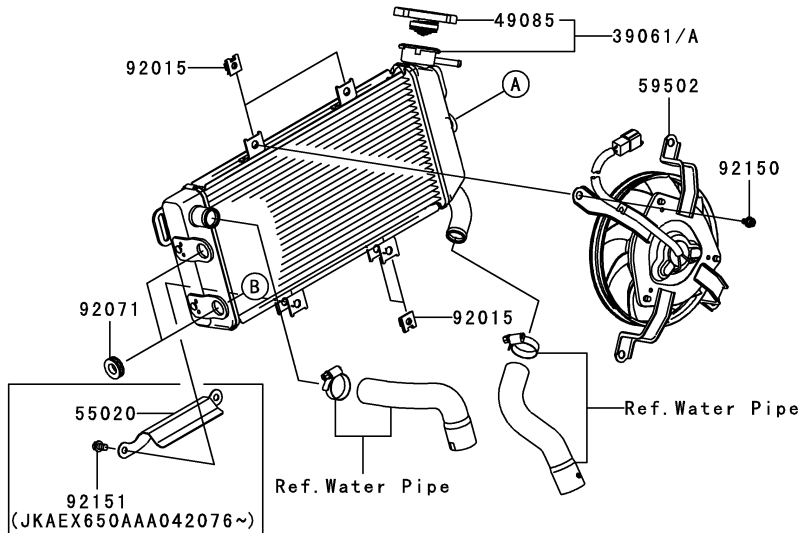
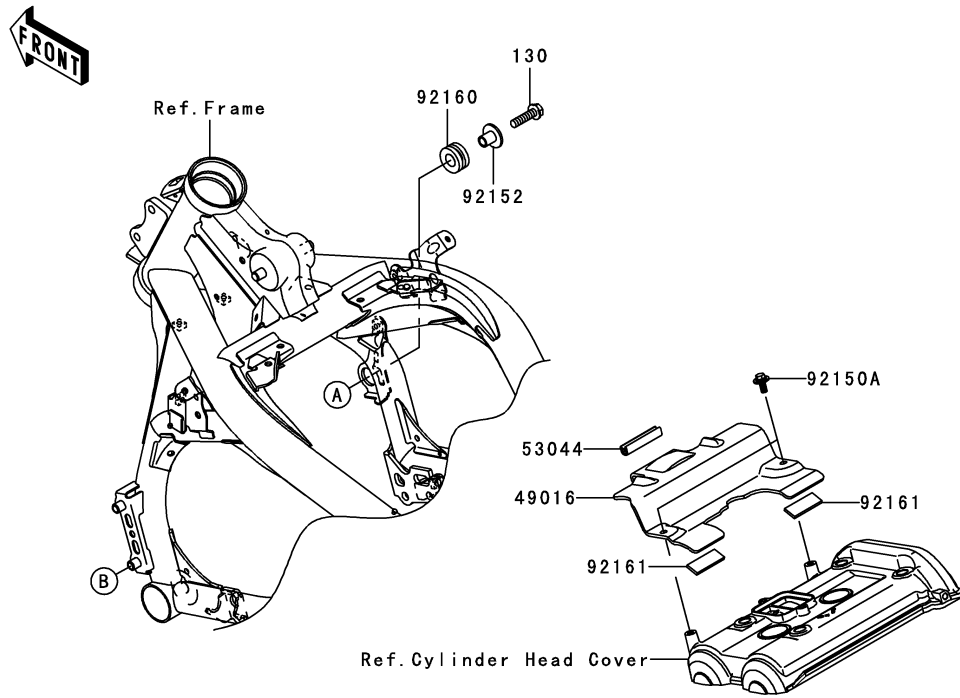
D-9

This grid covers:

Radiator

E3032

Ref. No.	Part No.	Description	Spec Code	Quantity-EX650			
				'06	'07	'08	
				A6F	A7F	A8F	
39061	39061-0066	RADIATOR-ASSY (JKAEX650AAA042075)		1	1		
39061A	39061-0110	RADIATOR-ASSY (JKAEX650AAA042076 -)			1	1	
49016	49016-0030	COVER-SEAL,HOT WIND		1	1	1	
49085	49085-1078	CAP-ASSY-PRESSURE		1	1	1	
53044	53044-1185	TRIM,L=50		1	1	1	
55020	55020-0343	GUARD (JKAEX650AAA042076 -)		1	1	1	
59502	59502-0019	FAN-ASSY		1	1	1	
92015	92015-1487	NUT		6	6	6	
92071	92071-1115	GROMMET		2	2	2	
92150	92150-1186	BOLT,6X12		4	4	4	
92150A	92150-1689	BOLT,FLANGED,6X14		2	2	2	
92151	92151-1277	BOLT,6X10 (JKAEX650AAA042076 -)		2	2	2	
92152	92152-0398	COLLAR		1	1	1	
92160	92160-1007	DAMPER		1	1	1	
92161	92161-0301	DAMPER		2	2	2	
130	130H0830	BOLT-FLANGED,8X30		1	1	1	



This catalog covers:

'06~'08 EX650 A6F/A7F/A8F Engine

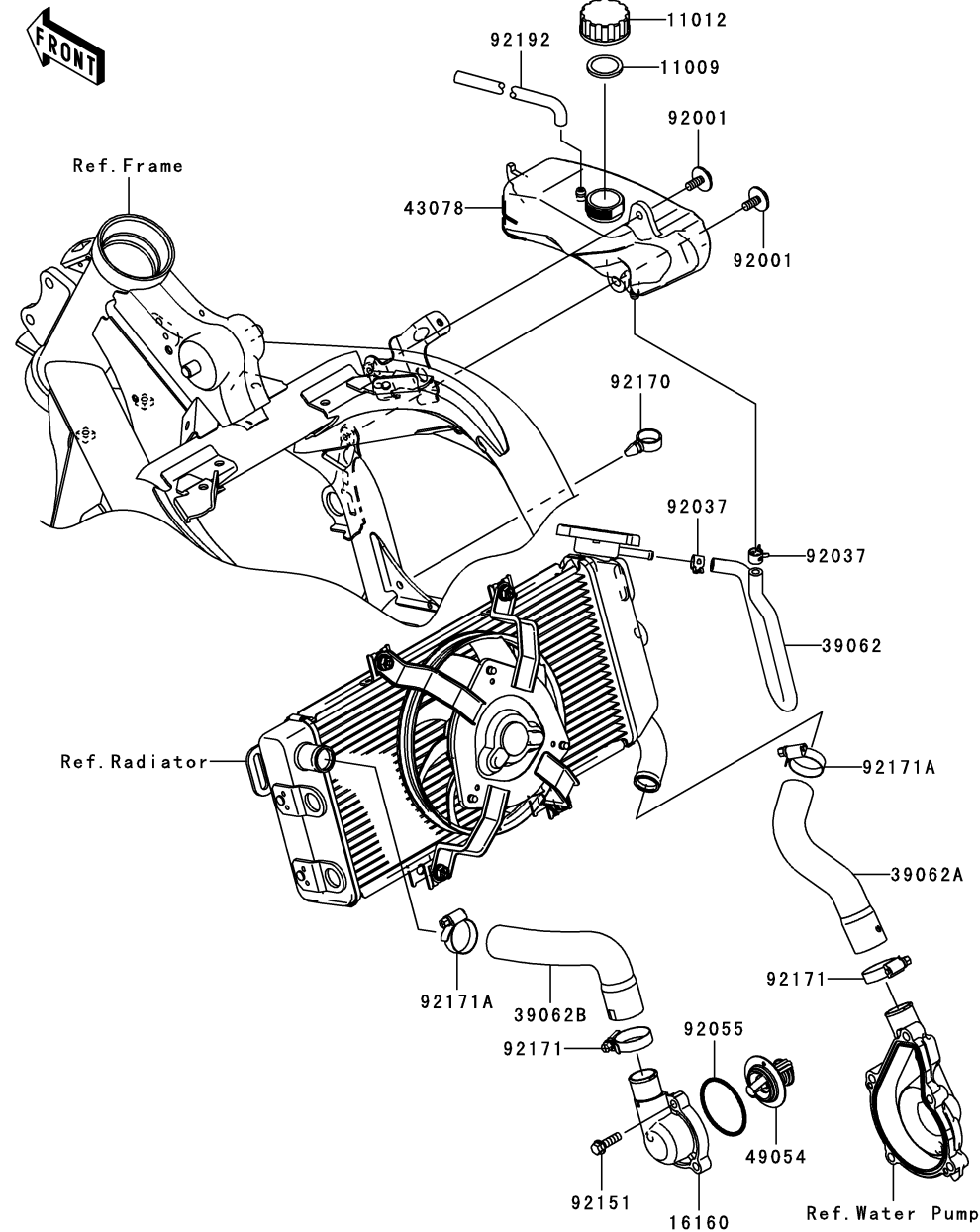
GRID NO.

D-10

This grid covers:

Water Pipe

E3037



Ref. No.	Part No.	Description	Spec Code	Quantity-EX650		
				'06	'07	'08
				A6F	A7F	A8F
11009	11009-1145	GASKET,RESERVOIR TANK CAP	1	1	1	
11012	11012-1084	CAP	1	1	1	
16160	16160-0084	BODY,THERMOSTAT	1	1	1	
39062	39062-0094	HOSE-COOLING,RAD-RESERVOIR	1	1	1	
39062A	39062-0096	HOSE-COOLING,W.PUMP-RAD	1	1	1	
39062B	39062-0135	HOSE-COOLING,THERMO-RAD	1	1	1	
43078	43078-0025	RESERVOIR	1	1	1	
49054	49054-0001	THERMOSTAT	1	1	1	
92001	92001-1950	BOLT,6X16	2	2	2	
92037	92037-1505	CLAMP,TUBE	2	2	2	
92055	92055-1279	RING-O,44.7X2.4	1	1	1	
92151	92151-1252	BOLT,FLANGED-SMALL,6X20	3	3	3	
92170	92170-1067	CLAMP	1	1	1	
92171	92171-0261	CLAMP	2	2	2	
92171A	92171-0337	CLAMP	2	2	2	
92192	92192-0378	TUBE,BREATHER	1	1	1	

This catalog covers:

'06~'08 EX650 A6F/A7F/A8F Chassis

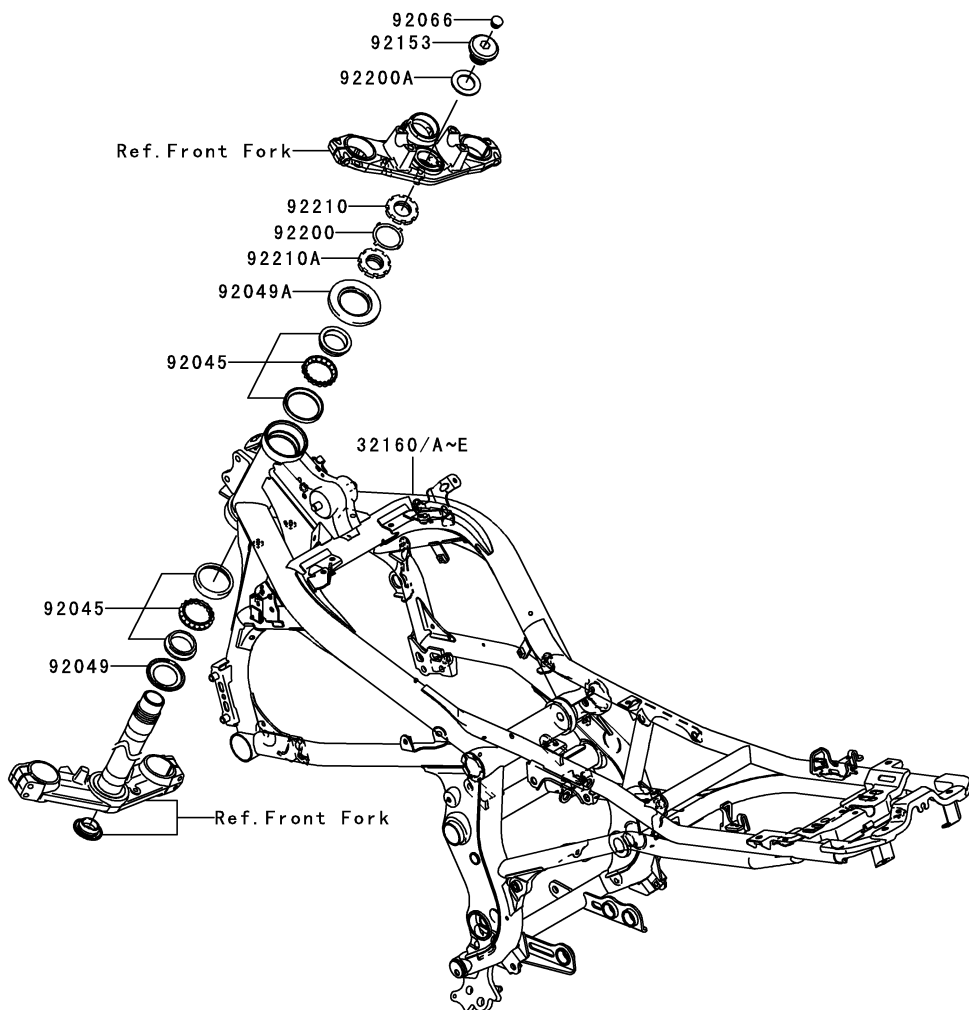
GRID NO.

E-3

This grid covers:

Frame

F2120



Ref. No.	Part No.	Description	Spec Code	Quantity-EX650			
				'06	'07	'08	
				A6F	A7F	A8F	
32160	32160-0173-11E	FRAME-COMP,F.S.BLACK			1		
32160A	32160-0173-458	FRAME-COMP,P.SILVER			1		
32160B	32160-0173-793	FRAME-COMP,M.BRONZE			1		
32160C	32160-0173-796	FRAME-COMP,P.RED			1		
32160D	32160-0270-18R	FRAME-COMP,BLACK					1
32160E	32160-0270-458	FRAME-COMP,P.SILVER					1
92045	92045-1384	BEARING-BALL,SF07A17PX1V1	2	2	2		
92049	92049-0022	SEAL-OIL,DS35X55X4	1	1	1		
92049A	92049-1483	SEAL-OIL,MX043N2	1	1	1		
92066	92066-0071	PLUG	1	1	1		
92153	92153-0474	BOLT,26MM	1	1	1		
92200	92200-0036	WASHER	1	1	1		
92200A	92200-0081	WASHER,27X42X2.3	1	1	1		
92210	92210-0062	NUT,STEERING STEM 35MM	1	1	1		
92210A	92210-0077	NUT,STEERING STEM,35MM	1	1	1		

This catalog covers:

'06~'08 EX650 A6F/A7F/A8F Chassis

GRID NO.

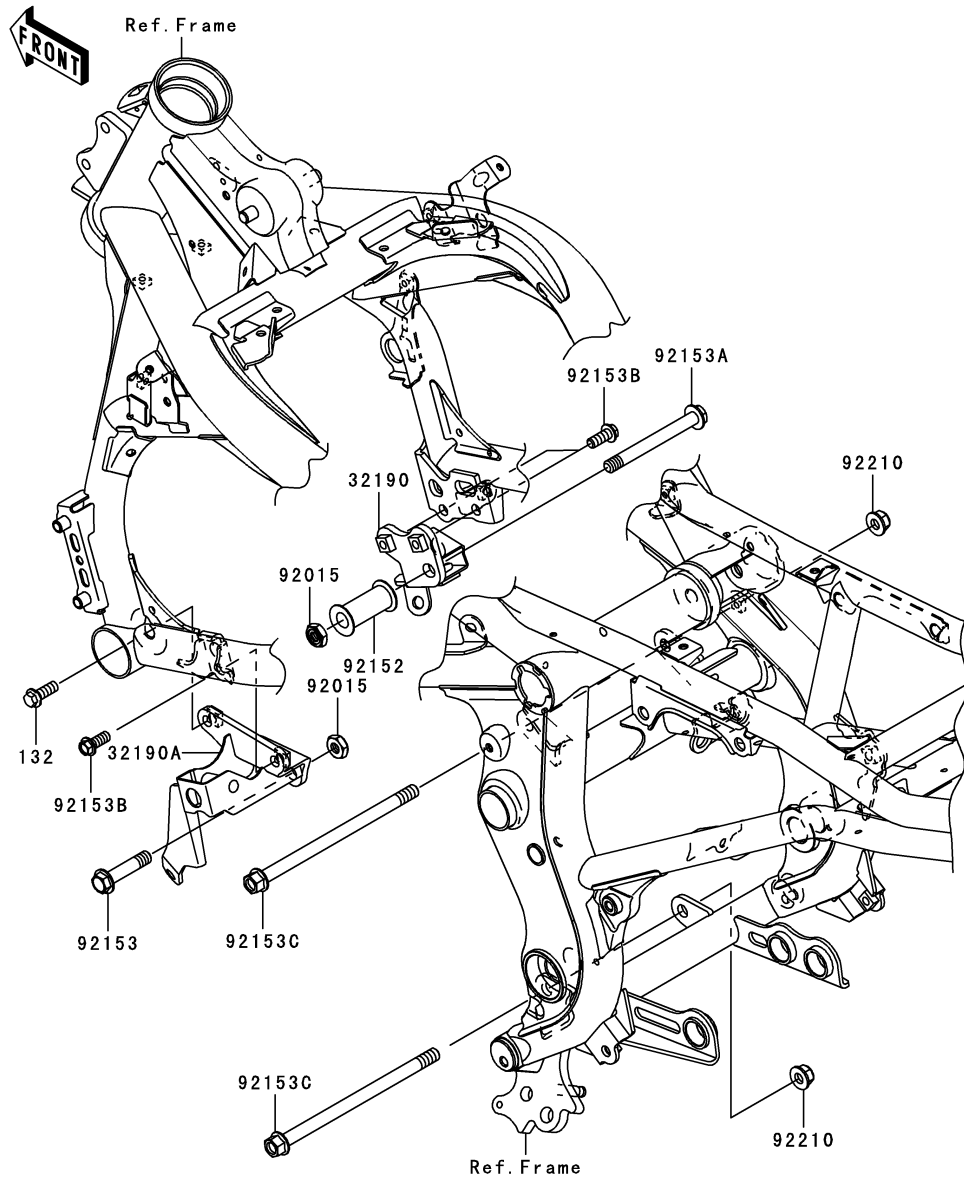
E-4

This grid covers:

Engine Mount

F2122

Ref. No.	Part No.	Description	Quantity-EX650		
			'06	'07	'08
			A6F	A7F	A8F
32190	32190-0255	BRACKET-ENGINE,RH	1	1	1
32190A	32190-0257	BRACKET-ENGINE,LH	1	1	1
92015	92015-1188	NUT,LOCK,10MM,BLACK	2	2	2
92152	92152-0311	COLLAR,ENGINE MOUNT	1	1	1
92153	92153-0823	BOLT,FLANGED,10X47	1	1	1
92153A	92153-0976	BOLT,FLANGED,10X95	1	1	1
92153B	92153-0995	BOLT,FLANGED,8X20	3	3	3
92153C	92153-1428	BOLT,FLANGED,10X170	2	2	2
92210	92210-1081	NUT,LOCK,FLANGED,10MM	2	2	2
132	132L0822	BOLT-FLANGED-SMALL,8X22	1	1	1



This catalog covers:

'06~'08 EX650 A6F/A7F/A8F Chassis

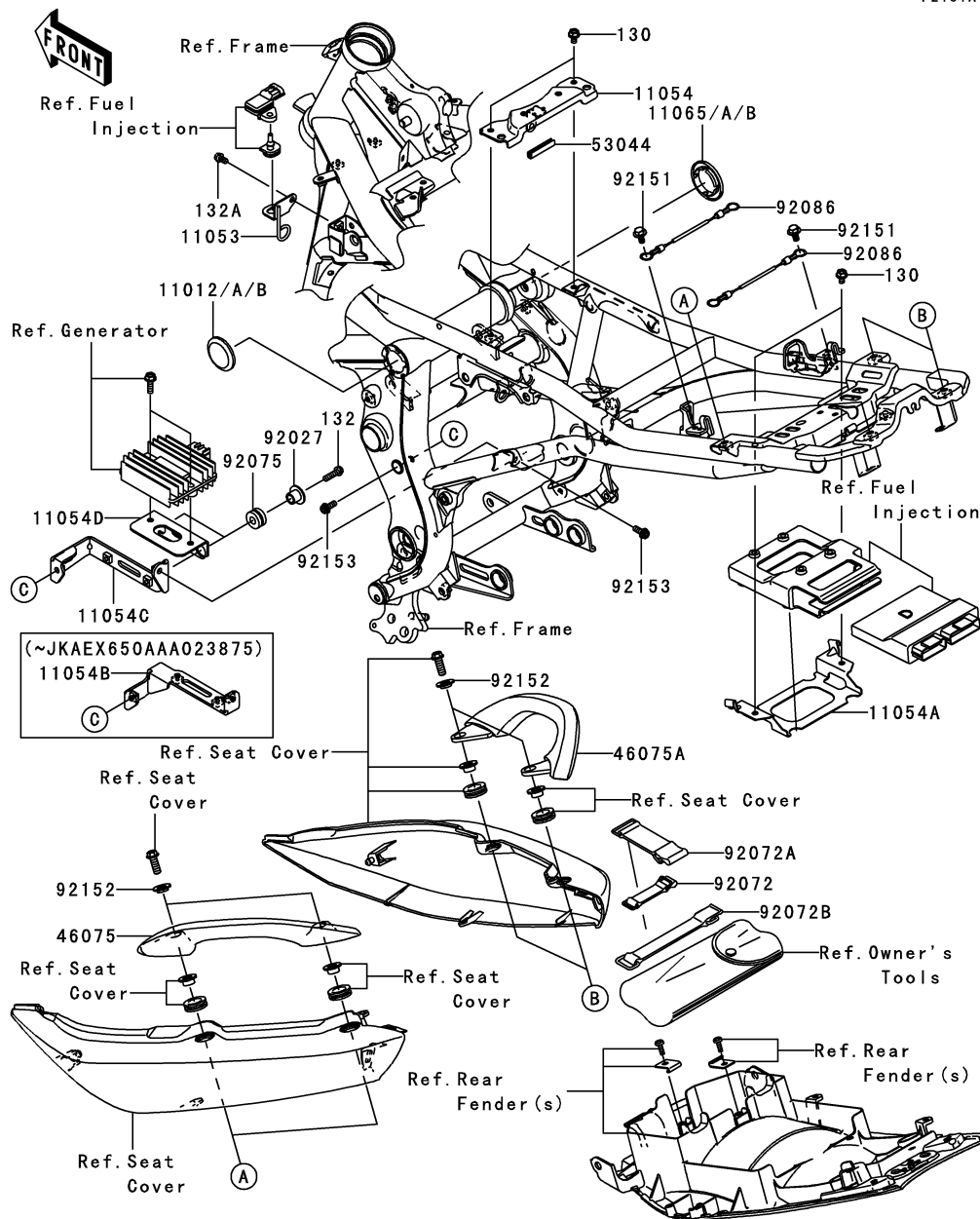
GRID NO.

E-6

This grid covers:

Frame Fittings(JKAEX650AAA022144~)

F2131A



Ref. No.	Part No.	Description	Spec Code	Quantity-EX650			
				'06	'07	'08	
				A6F	A7F	A8F	
11012	11012-1717-10C	CAP,CROSS PIPE,F.P.SILVER		1	1		
11012A	11012-1717-11J	CAP,CROSS PIPE,F.S.BLACK		1			
11012B	11012-1717-18T	CAP,CROSS PIPE,BLACK			1		
11053	11053-1931	BRACKET,BOOST SENSOR		1	1		
11054	11054-0248	BRACKET,FUEL TANK		1	1		
11054A	11054-0347	BRACKET,ECU		1	1		
11054B	11054-0523	BRACKET,REGULATOR		1			
11054C	11054-1283	BRACKET,REGULATOR (JKAEX650AAA023875 -)		1	1		
11054D	11054-1284	BRACKET,REGULATOR		1	1		
11065	11065-0125-10C	CAP,FRAME,F.P.SILVER		1	1		
11065A	11065-0125-11J	CAP,FRAME,F.S.BLACK		1			
11065B	11065-0125-18T	CAP,FRAME,BLACK			1		
46075	46075-0057	GRIP,LH		1	1		
46075A	46075-0058	GRIP,RH		1	1		
53044	53044-1174	TRIM,L=40		1	1		
92027	92027-1450	COLLAR,L=13.1,BLACK (JKAEX650AAA023876 -)		2	2		
92072	92072-1085	BAND		1	1		
92072A	92072-1176	BAND,TOOL		1	1		
92072B	92072-1203	BAND,L=150		1	1		
92075	92075-209	DAMPER (JKAEX650AAA023876 -)		2	2		
92086	92086-1075	WIRE,L=150		2	2		
92151	92151-1703	BOLT,FLANGED,6X13		2	2		
92152	92152-0551	COLLAR		4	4		
92153	92153-1517	BOLT,SOCKET,6X16		2	2		
130	130L0610	BOLT-FLANGED,6X10		4	4		
132	132J0622	BOLT-FLANGED-SMALL,6X22 (JKAEX650AAA023876 -)		2	2		
132A	132L0610	BOLT-FLANGED-SMALL,6X10		1	1		

This catalog covers:

'06~'08 EX650 A6F/A7F/A8F Chassis

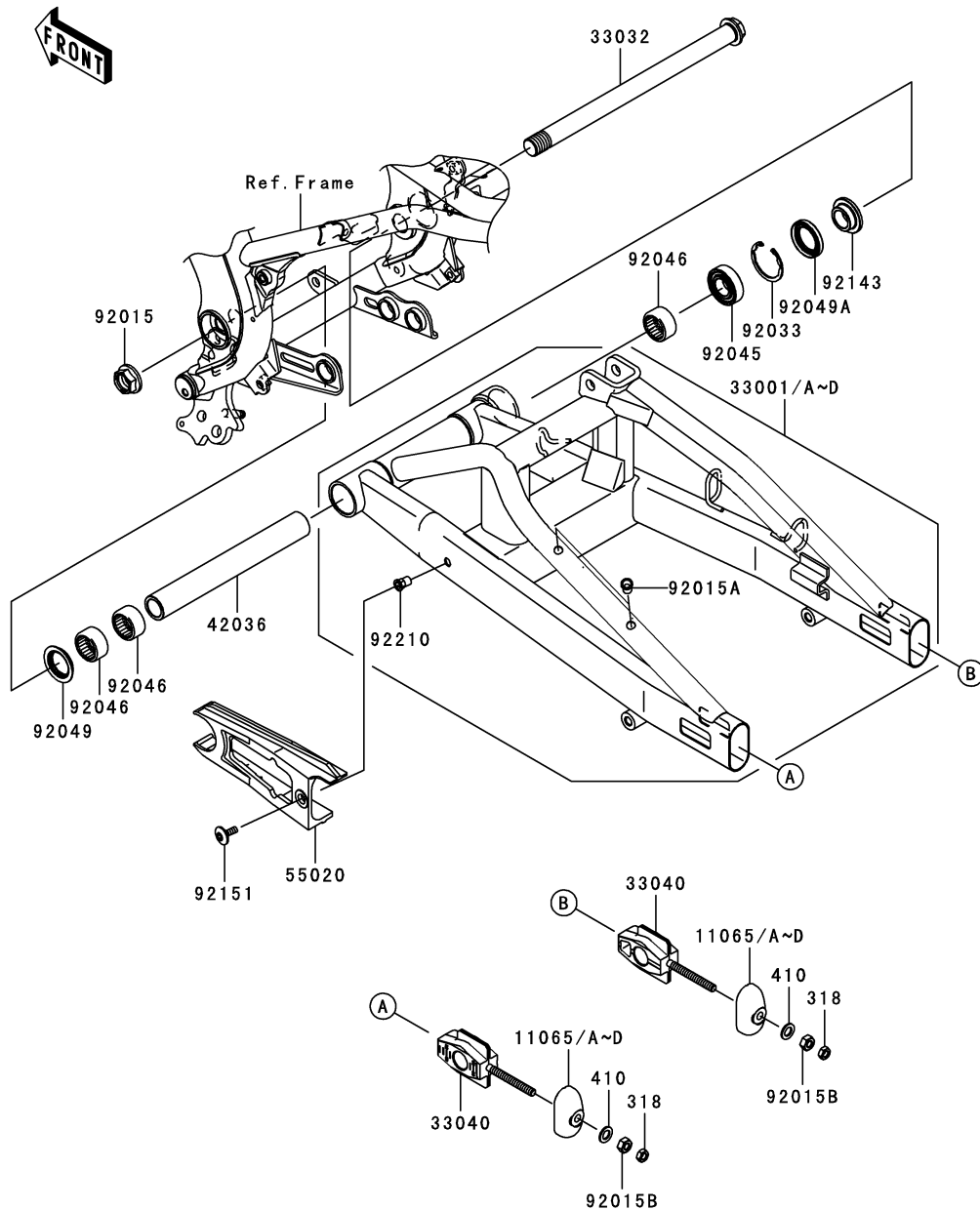
GRID NO.

E-7

This grid covers:

Swingarm

F2141



Ref. No.	Part No.	Description	Spec Code	Quantity-EX650			
				'06	'07	'08	
				A6F	A7F	A8F	
11065	11065-0121-11E	CAP,CHAIN ADJUSTER,F,S.BLACK			2		
11065A	11065-0121-18R	CAP,CHAIN ADJUSTER,BLACK				2	
11065B	11065-0121-458	CAP,CHAIN ADJUSTER,P,SILVER				2	2
11065C	11065-0121-793	CAP,CHAIN ADJUSTER,M.BRONZE			2		
11065D	11065-0121-796	CAP,CHAIN ADJUSTER,P,RED			2		
33001	33001-0081-11E	ARM-COMP-SWING,F,S.BLACK				1	
33001A	33001-0081-18R	ARM-COMP-SWING,BLACK					1
33001B	33001-0081-458	ARM-COMP-SWING,P,SILVER				1	1
33001C	33001-0081-793	ARM-COMP-SWING,M.BRONZE			1		
33001D	33001-0081-796	ARM-COMP-SWING,P,RED			1		
33032	33032-1142	SHAFT-SWING ARM			1	1	1
33040	33040-0015	ADJUSTER-CHAIN,INNER			2	2	2
42036	42036-1358	SLEEVE,SWING ARM,L=219.5			1	1	1
55020	55020-0192	GUARD,CHAIN			1	1	1
92015	92015-1724	NUT,FLANGED,20MM			1	1	1
92015A	92015-1759	NUT,POP,6MM			2	2	2
92015B	92015-1959	NUT,8MM			2	2	2
92033	92033-1041	RING-SNAP,42MM			1	1	1
92045	92045-0017	BEARING-BALL,6004UL11			1	1	1
92046	92046-0008	BEARING-NEEDLE,7E-HVS 28X34X17			3	3	3
92049	92049-1181	SEAL-OIL			1	1	1
92049A	92049-1185	SEAL-OIL,TC28426.5			1	1	1
92143	92143-1727	COLLAR,SWING ARM,RH,L=12.5			1	1	1
92151	92151-1149	BOLT,SOCKET,6X18			1	1	1
92210	92210-1397	NUT,POP,6MM,L=15			1	1	1
318	318C0800	NUT-HEX-SMALL			2	2	2
410	410F0800	WASHER-PLAIN-SMALL,8MM,BLACK			2	2	2

This catalog covers:

'06~'08 EX650 A6F/A7F/A8F Chassis

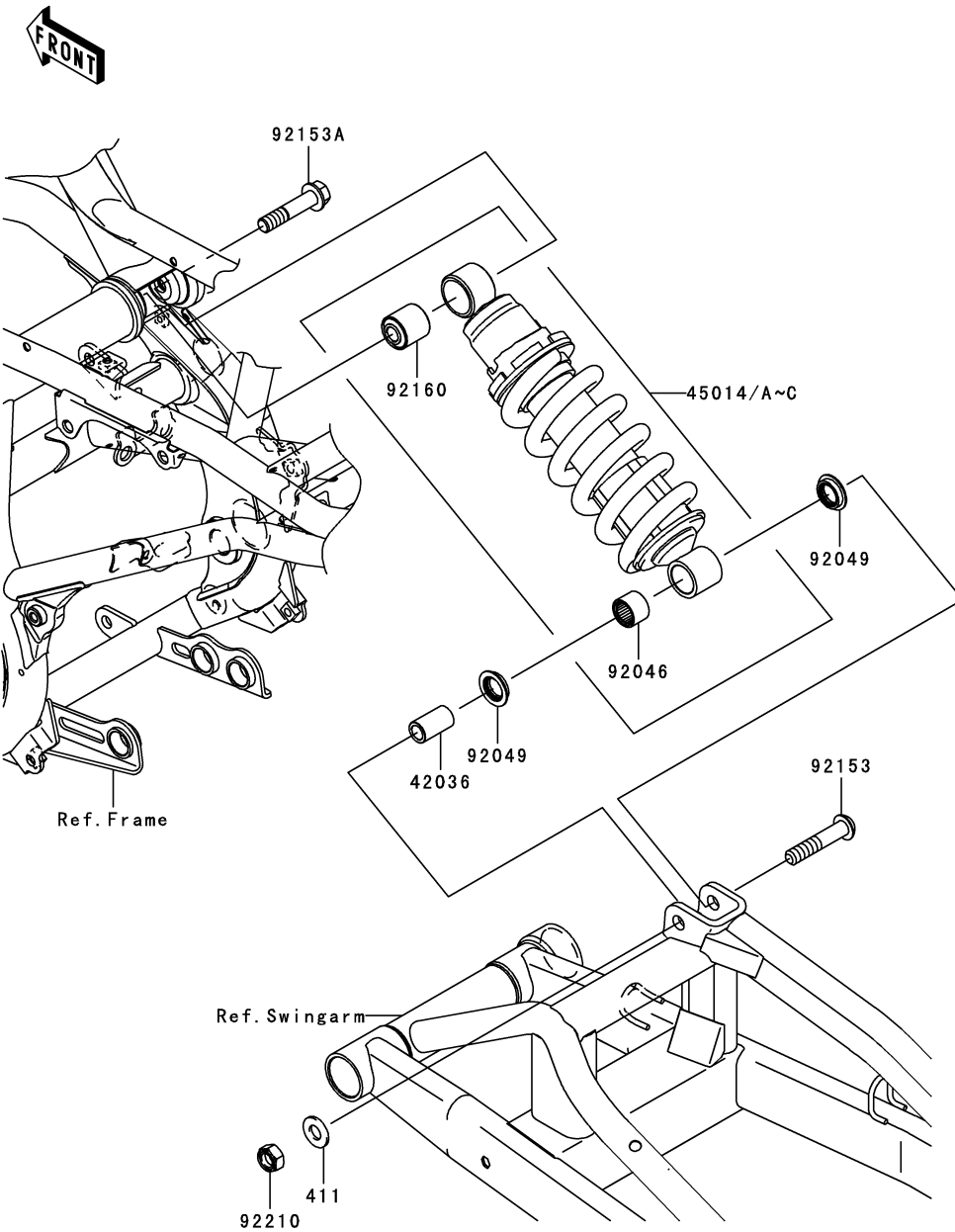
GRID NO.

E-8

This grid covers:

Suspension/Shock Absorber

F2151



Ref. No.	Part No.	Description	Spec Code	Quantity-EX650		
				'06	'07	'08
				A6F	A7F	A8F
42036	42036-0024	SLEEVE,12.1X18X32	1	1	1	
45014	45014-0119-458	SHOCKABSORBER,P.SILVER		1		
45014A	45014-0119-794	SHOCKABSORBER,MM.GOLD	1			
45014B	45014-0119-796	SHOCKABSORBER,PP.RED	1			
45014C	45014-0201-458	SHOCKABSORBER,PP.SILVER			1	
92046	92046-1272	BEARING-NEEDLE,SFYZM182417	1	1	1	
92049	92049-1493	SEAL-OIL,KCR MF018N1	2	2	2	
92153	92153-1484	BOLT,SOCKET,12X60	1	1	1	
92153A	92153-1766	BOLT,FLANGED,12X55	1	1	1	
92160	92160-1161	DAMPER,SHOCKABSORBER	1	1	1	
92210	92210-0300	NUT,LOCK,12MM	1	1	1	
411	411AA1200	WASHER-PLAIN,12MM	1	1	1	

This catalog covers:

'06~'08 EX650 A6F/A7F/A8F Chassis

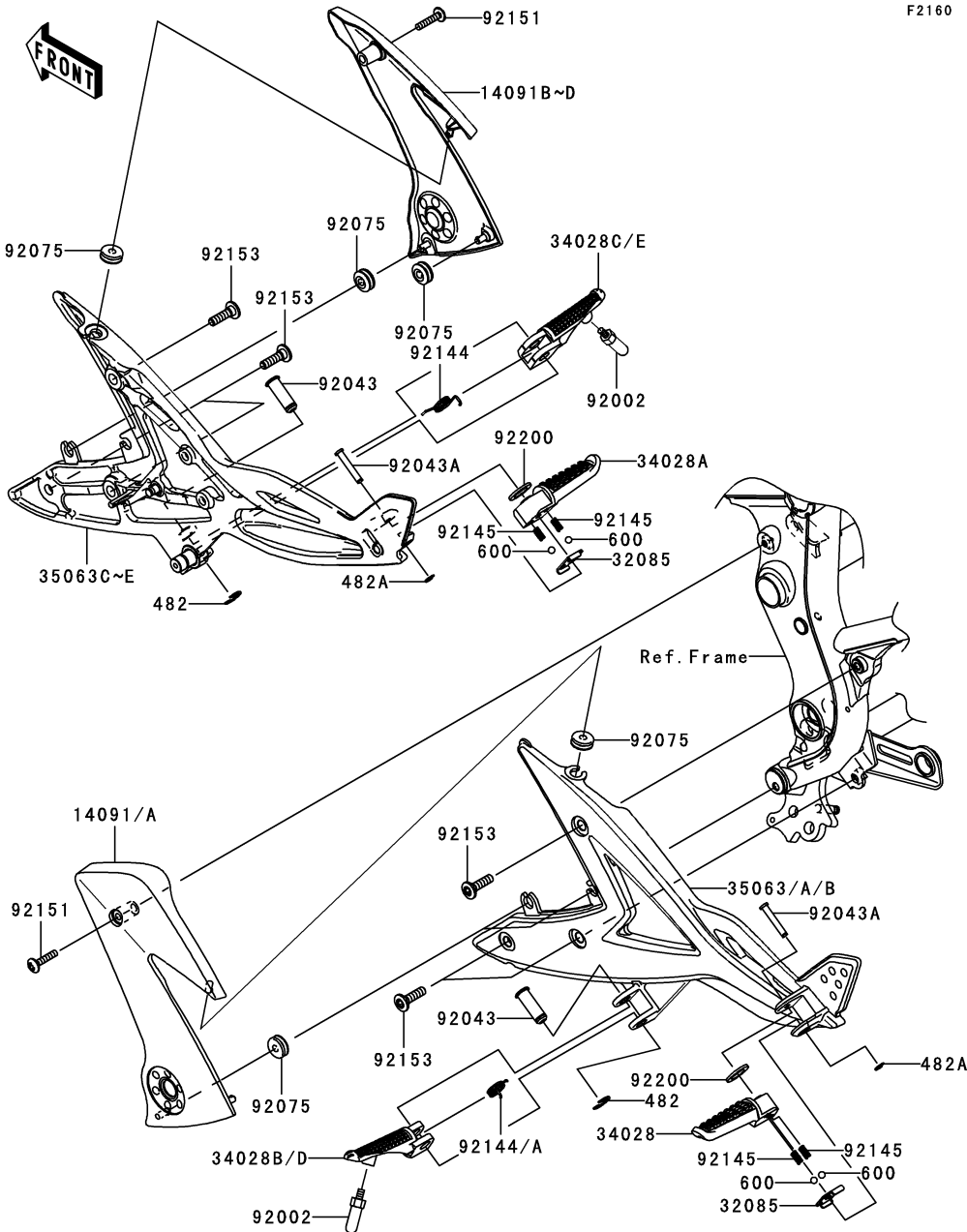
GRID NO.

E-9

This grid covers:

Footrests

F2160



Ref. No.	Part No.	Description	Spec Code	Quantity-EX650		
				'06	'07	'08
				A6F	A7F	A8F
14091	14091-0461-6Z	COVER,PIVOT,LH,F.BLACK		1	1	
14091A	14091-0461-837	COVER,PIVOT,LH,S.F.C.GRAY	1			
14091B	14091-0462-6Z	COVER,PIVOT,RH,F.BLACK		1		
14091C	14091-0462-837	COVER,PIVOT,RH,S.F.C.GRAY	1			
14091D	14091-0789-6Z	COVER,PIVOT,RH,F.S.BLACK			1	
32085	32085-0047	STOPPER,REAR STEP	2	2	2	
34028	34028-0004	STEP,RR,LH	1	1	1	
34028A	34028-0005	STEP,RR,RH	1	1	1	
34028B	34028-0029	STEP,FR,LH	1	1		
34028C	34028-0030	STEP,FR,RH	1	1		
34028D	34028-0059	STEP,FR,LH				1
34028E	34028-0060	STEP,FR,RH				1
35063	35063-0285-18R	STAY,STEP,LH,BLACK				1
35063A	35063-0285-458	STAY,STEP,LH,P.SILVER				1
35063B	35063-0285-735	STAY,STEP,LH,M.SILVER	1	1		
35063C	35063-0286-18R	STAY,STEP,RH,BLACK				1
35063D	35063-0286-458	STAY,STEP,RH,P.SILVER				1
35063E	35063-0286-735	STAY,STEP,RH,M.SILVER	1	1		
92002	92002-1995	BOLT,BANK SENSOR	2	2	2	
92043	92043-0028	PIN,12X36.5	2	2	2	
92043A	92043-1595	PIN,6X40	2	2	2	
92075	92075-1067	DAMPER	6	6	6	
92144	92144-1567	SPRING,STEP RETURN	1	2	2	
92144A	92144-1568	SPRING,STEP RETURN	1			
92145	92145-1319	SPRING	4	4	4	
92151	92151-1605	BOLT,SOCKET,6X30	2	2	2	
92153	92153-1630	BOLT,SOCKET,8X30	6	6	6	
92200	92200-0043	WASHER,16X26X2.3	2	2	2	
482	482L0100	CIRCLIP-TYPE-E,10MM	2	2	2	
482A	482L5000	CIRCLIP-TYPE-E,5MM	2	2	2	
600	600A0800	BALL-STEEL,1/4"	4	4	4	

This catalog covers:

'06~'08 EX650 A6F/A7F/A8F Chassis

GRID NO.

E-10

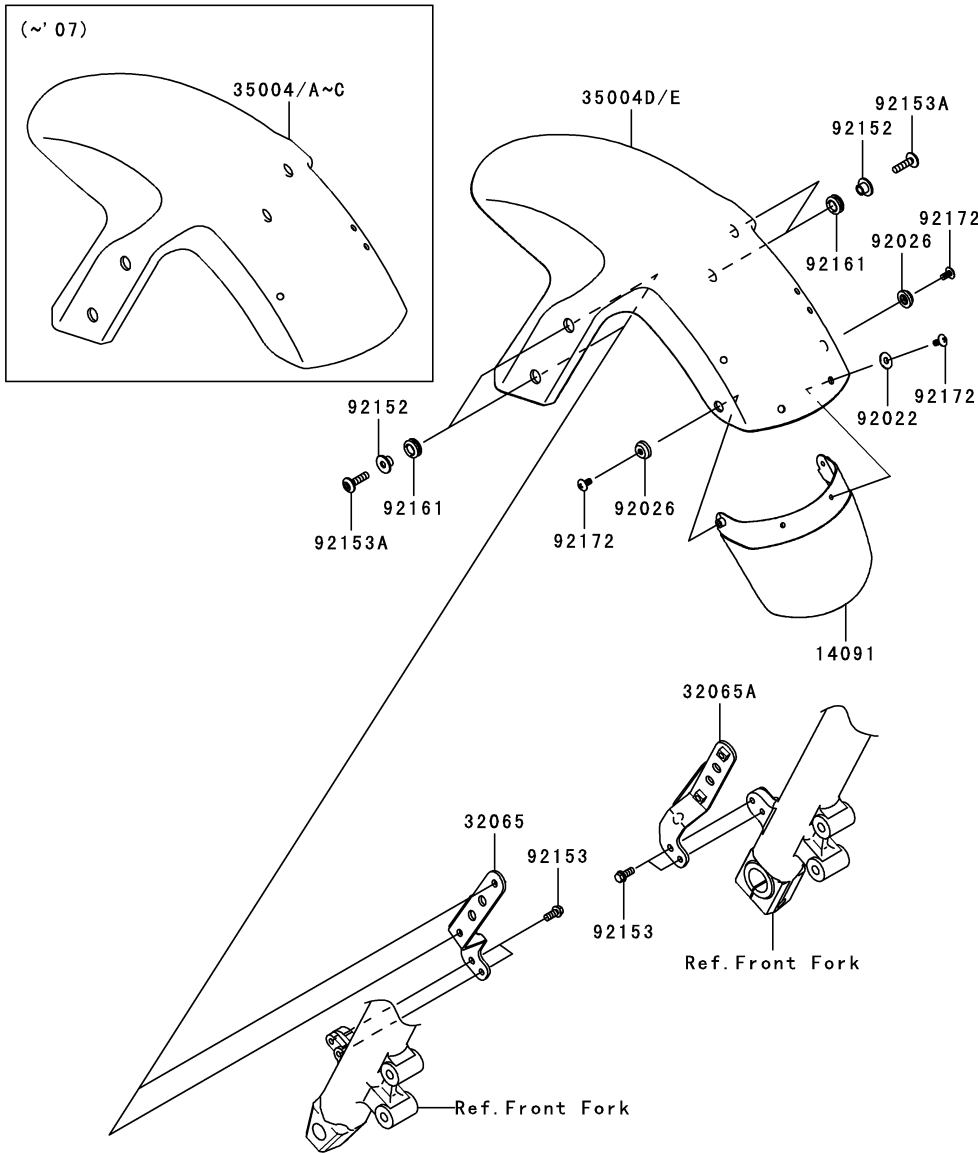
This grid covers:

Front Fender(s)

F2171

Ref. No.	Part No.	Description	Spec Code	Quantity-EX650			
				'06	'07	'08	
				A6F	A7F	A8F	

14091	14091-0885	COVER,FRONT FENDER				1
32065	32065-0022	BRACKET-FENDER,LH		1	1	1
32065A	32065-0023	BRACKET-FENDER,RH		1	1	1
35004	35004-0053-H8	FENDER-FRONT,EBONY		1		
35004A	35004-0053-17K	FENDER-FRONT,M.BLACK			1	
35004B	35004-0053-474	FENDER-FRONT,G.SILVER		1		
35004C	35004-0053-723	FENDER-FRONT,C.P.BLUE			1	
35004D	35004-0103-17K	FENDER-FRONT,M.D,BLACK				1
35004E	35004-0103-777	FENDER-FRONT,L.GREEN				1
92022	92022-1818	WASHER,6X16X1				2
92026	92026-0118	SPACER				2
92152	92152-0295	COLLAR		4	4	4
92153	92153-0589	BOLT,FLANGED,6X14		4	4	4
92153A	92153-1267	BOLT,SOCKET,6X23		4	4	4
92161	92161-0266	DAMPER		4	4	4
92172	92172-0335	SCREW,TAPPING,5X10				4



This catalog covers:

'06~'08 EX650 A6F/A7F/A8F Chassis

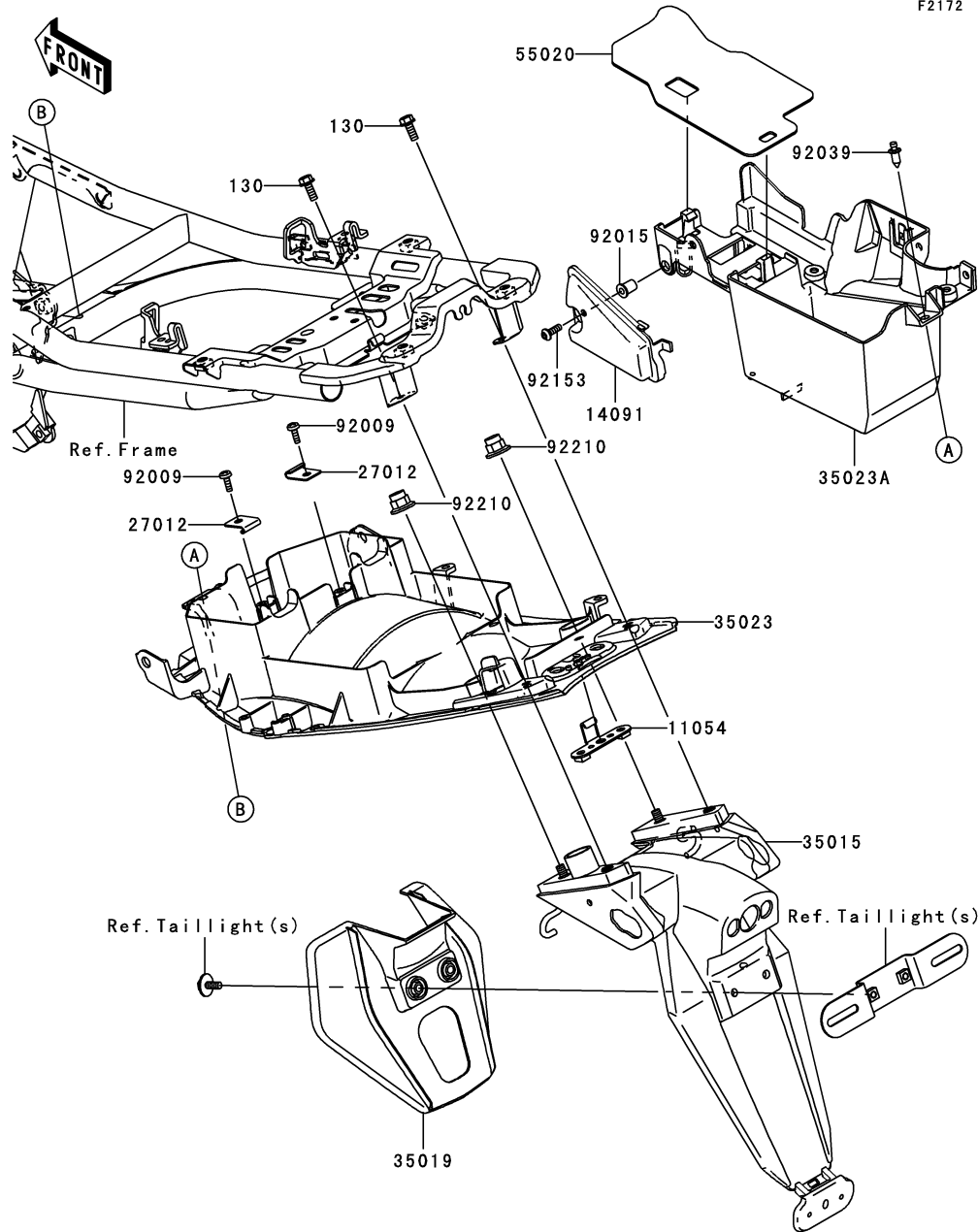
GRID NO.

E-11

This grid covers:

Rear Fender(s)

F2172



Ref. No.	Part No.	Description	Spec Code	Quantity-EX650		
				'06	'07	'08
				A6F	A7F	A8F
11054	11054-0253	BRACKET,TAIL LAMP	1	1	1	
14091	14091-0488	COVER,SWITCH MAINTENANCE	1	1	1	
27012	27012-1316	HOOK,BATTERY CASE	2	2	2	
35015	35015-0005	FLAP-COMP	1	1	1	
35019	35019-0042	FLAP	1	1	1	
35023	35023-0076	FENDER-REAR,RR	1	1	1	
35023A	35023-0077	FENDER-REAR,FR	1	1	1	
55020	55020-0220	GUARD,HEAT	1	1	1	
92009	92009-3845	SCREW,6X14	2	2	2	
92015	92015-1757	NUT,WELL,5MM	1	1	1	
92039	92039-1283	RIVET	1	1	1	
92153	92153-1244	BOLT,SOCKET,5X16	1	1	1	
92210	92210-0170	NUT,CAP,6MM	2	2	2	
130	130J0618	BOLT-FLANGED,6X18	2	2	2	

This catalog covers:

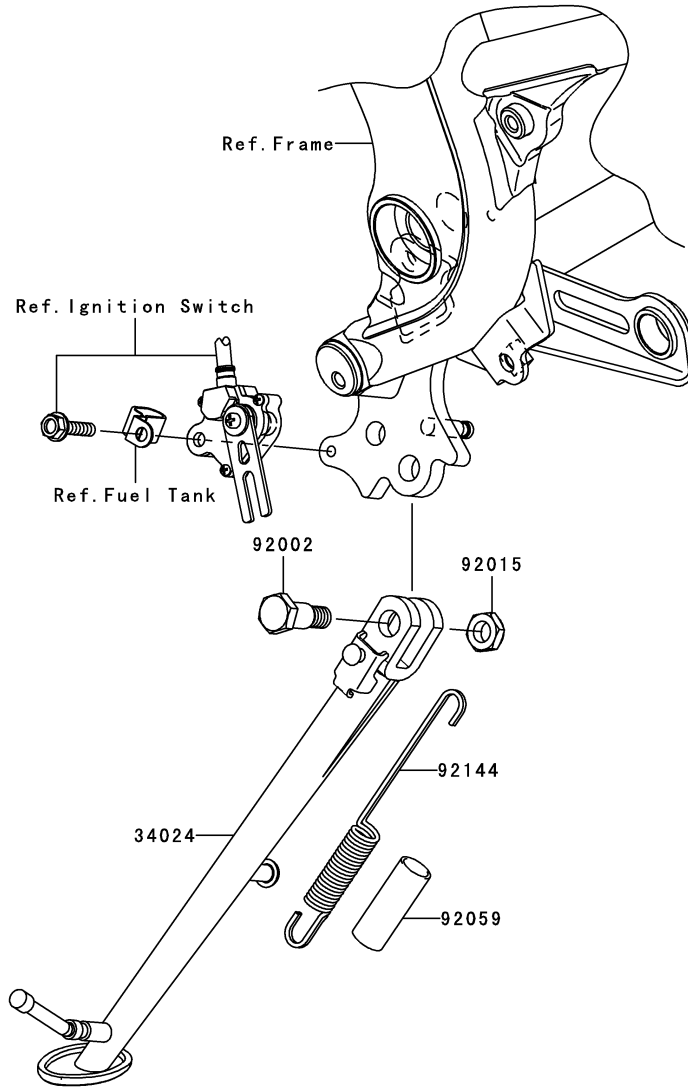
'06~'08 EX650 A6F/A7F/A8F Chassis

GRID NO.

E-12

This grid covers:

Stand(s)



F2190

Ref. No.	Part No.	Description	Quantity-EX650			
			'06	'07	'08	
			A6F	A7F	A8F	
34024	34024-0024	STAND-SIDE	1	1	1	
92002	92002-1935	BOLT,SIDE STAND	1	1	1	
92015	92015-1188	NUT,LOCK,10MM,BLACK	1	1	1	
92059	92059-1961	TUBE,14X17X50	1	1	1	
92144	92144-1818	SPRING,SIDE STAND	1	1	1	

This catalog covers:

'06~'08 EX650 A6F/A7F/A8F Chassis

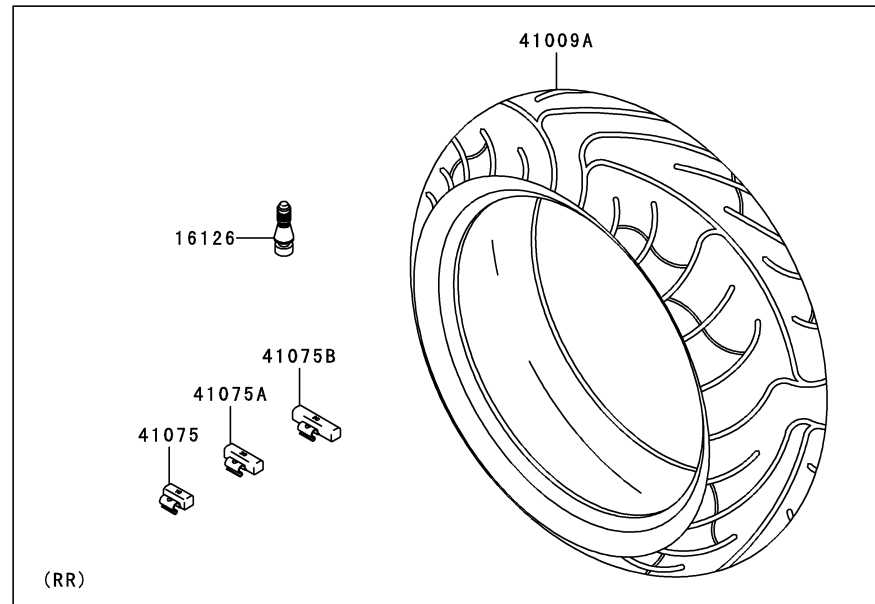
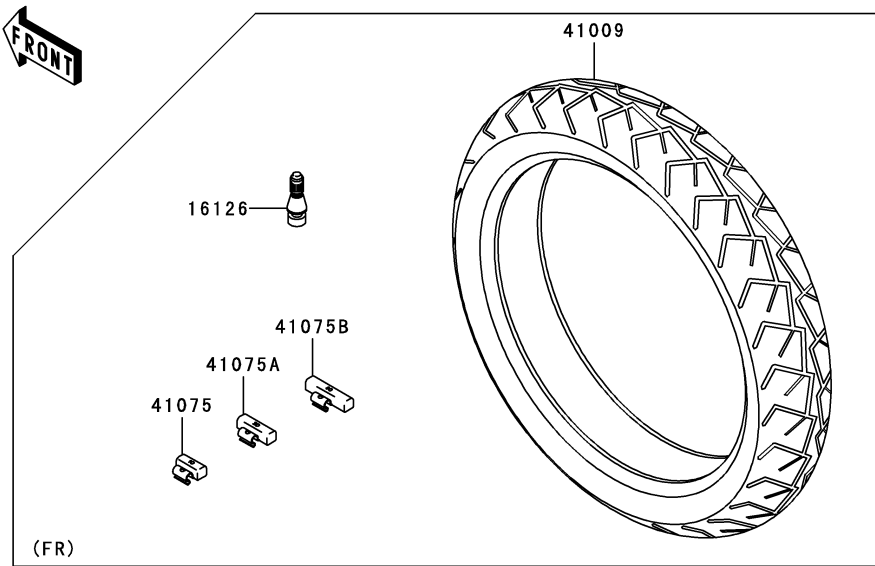
GRID NO.

E-13

This grid covers:

Tires

F2210



Ref. No.	Part No.	Description	Spec Code	Quantity-EX650		
				'06	'07	'08
				A6F	A7F	A8F
16126	16126-1140	VALVE,TIRE	2	2	2	
41009	41009-0132	TIRE,FR,120/70ZR17(58W),BT20F	1	1	1	
41009A	41009-1375	TIRE,RR,160/60ZR17(69W),BT020R	1	1	1	
41075	41075-0007	BALANCER-WHEEL,10G,SILVER	AR	AR	AR	
41075A	41075-0008	BALANCER-WHEEL,20G,SILVER	AR	AR	AR	
41075B	41075-0009	BALANCER-WHEEL,30G,SILVER	AR	AR	AR	

This catalog covers:

'06~'08 EX650 A6F/A7F/A8F Chassis

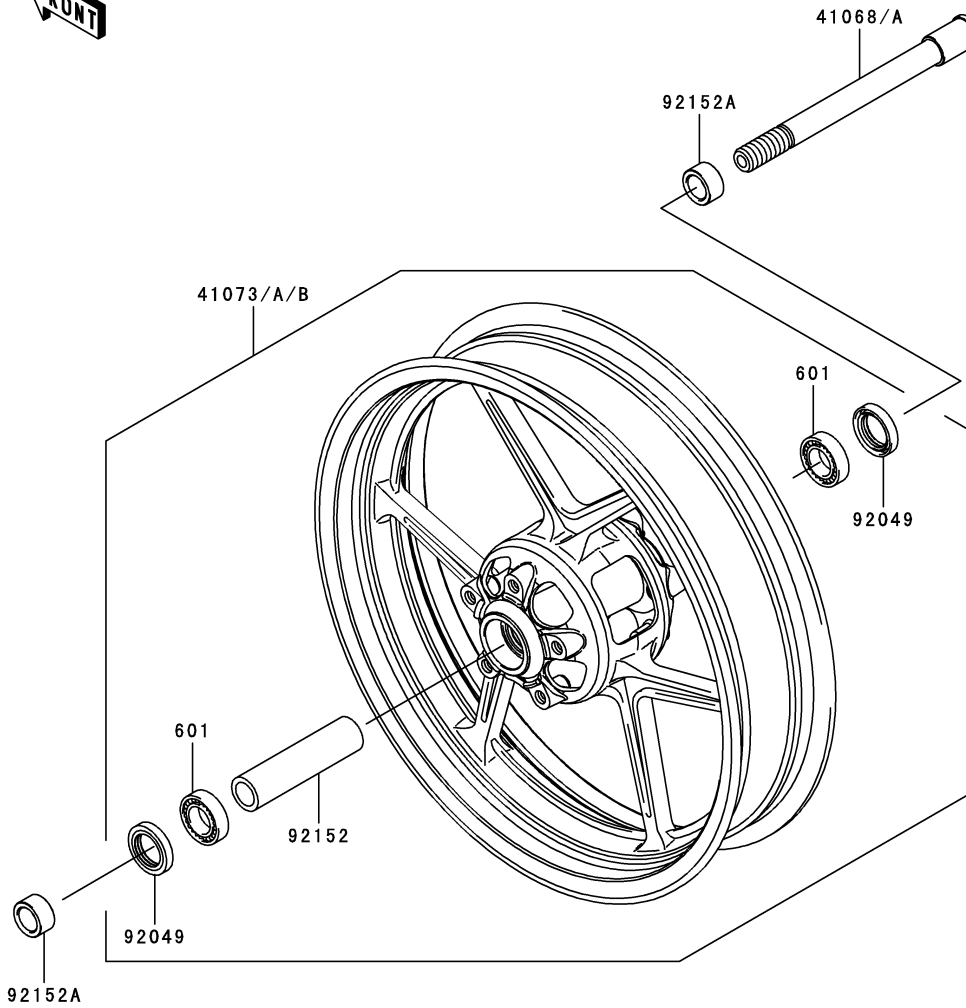
GRID NO.

E-14

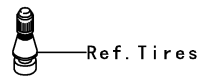
This grid covers:

Front Hub

F2230



Ref. No.	Part No.	Description	Spec Code	Quantity-EX650		
				'06	'07	'08
				A6F	A7F	A8F
41068	41068-0017	AXLE,FR	1			
41068A	41068-0059	AXLE,FR		1	1	
41073	41073-0053-R2	WHEEL-ASSY,FR,BLACK			1	
41073A	41073-0053-2A	WHEEL-ASSY,FR,GRAYSTONE	1	1		
41073B	41073-0053-795	WHEEL-ASSY,FR,M.F.P.SILVER		1	1	
92049	92049-1057	SEAL-OIL,BJN30427-C3	2	2	2	
92152	92152-0087	COLLAR,FR HUB,L=115	1	1	1	
92152A	92152-0310	COLLAR,FR AXLE,L=15.5	2	2	2	
601	601B6004UU	BEARING-BALL,#6004UUC3	2	2	2	



This catalog covers:

'06~'08 EX650 A6F/A7F/A8F Chassis

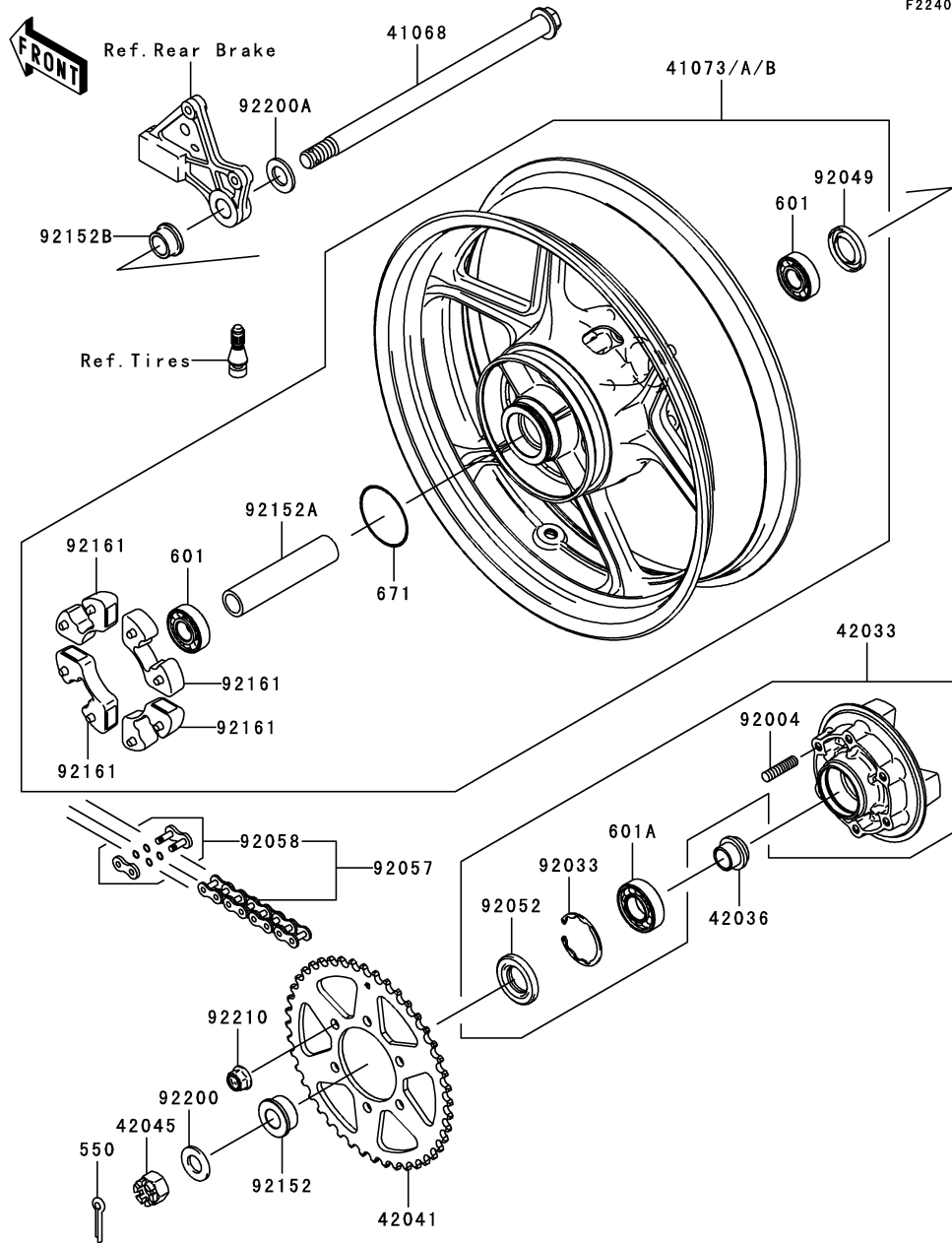
GRID NO.

F-3

This grid covers:

Rear Hub

F2240



Ref. No.	Part No.	Description	Spec Code	Quantity-EX650		
				'06	'07	'08
				A6F	A7F	A8F
41068	41068-0053	AXLE,RR	1	1	1	
41073	41073-0051-R2	WHEEL-ASSY,RR,BLACK			1	
41073A	41073-0051-2A	WHEEL-ASSY,RR,GRAYSTONE	1	1		
41073B	41073-0051-795	WHEEL-ASSY,RR,M.F.P.SILVER		1	1	
42033	42033-0003	COUPLING-ASSY,RR HUB	1	1	1	
42036	42036-1251	SLEEVE,RR HUB,L=23	1	1	1	
42041	42041-0020	SPROCKET-HUB,46T	1	1	1	
42045	42045-018	NUT,CASTLE,18MM	1	1	1	
92004	92004-0028	STUD,10X19	6	6	6	
92033	92033-1043	RING-SNAP,52MM	1	1	1	
92049	92049-1056	SEAL-OIL,BJN28475	1	1	1	
92052	92052-006	SEAL-OIL,TWC35527	1	1	1	
92057	92057-0101	CHAIN,DRIVE,EK520MVXL1X114L	1	1	1	
92058	92058-0007	JOINT-CHAIN,DRIVE	1	1	1	
92152	92152-0118	COLLAR,RR AXLE,LH,L=18	1	1	1	
92152A	92152-0301	COLLAR,RR HUB,L=133	1	1	1	
92152B	92152-0302	COLLAR,RR AXLE,RH,L=17	1	1	1	
92161	92161-0303	DAMPER,SHOCK,RR HUB	4	4	4	
92200	92200-0296	WASHER,19X36X3.2	1	1	1	
92200A	92200-0297	WASHER,20.5X36X3.2	1	1	1	
92210	92210-0276	NUT,LOCK,FLANGED,10MM	6	6	6	
550	550D4035	PIN-COTTER,4.0X35	1	1	1	
601	601B6204UU	BEARING-BALL,6204UUC3	2	2	2	
601A	601B6205UU	BEARING-BALL	1	1	1	
671	671B2560	O RING,60MM	1	1	1	

This catalog covers:

'06~'08 EX650 A6F/A7F/A8F Chassis

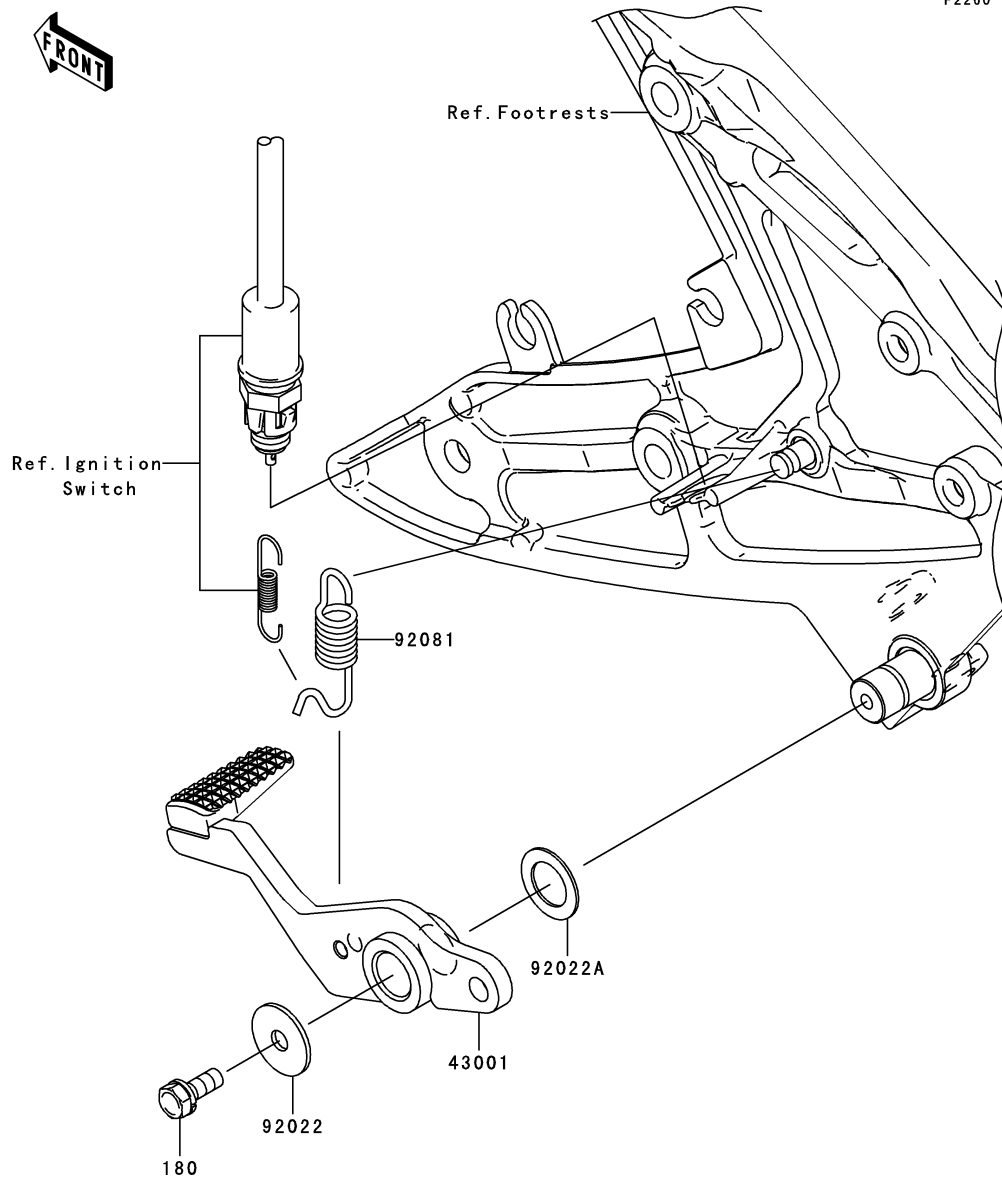
GRID NO.

F-4

This grid covers:

Brake Pedal

F2260



Ref. No.	Part No.	Description	Quantity-EX650			
			'06	'07	'08	
			A6F	A7F	A8F	
43001	43001-0051	LEVER-BRAKE,PEDAL	1	1	1	
92022	92022-228	WASHER,7X24X1.6	1	1	1	
92022A	92022-326	WASHER,15.3X24X1	1	1	1	
92081	92081-1833	SPRING,BRAKE PEDAL	1	1	1	
180	180D0616	BOLT-UPSET-WS,6X16	1	1	1	

This catalog covers:

'06~'08 EX650 A6F/A7F/A8F Chassis

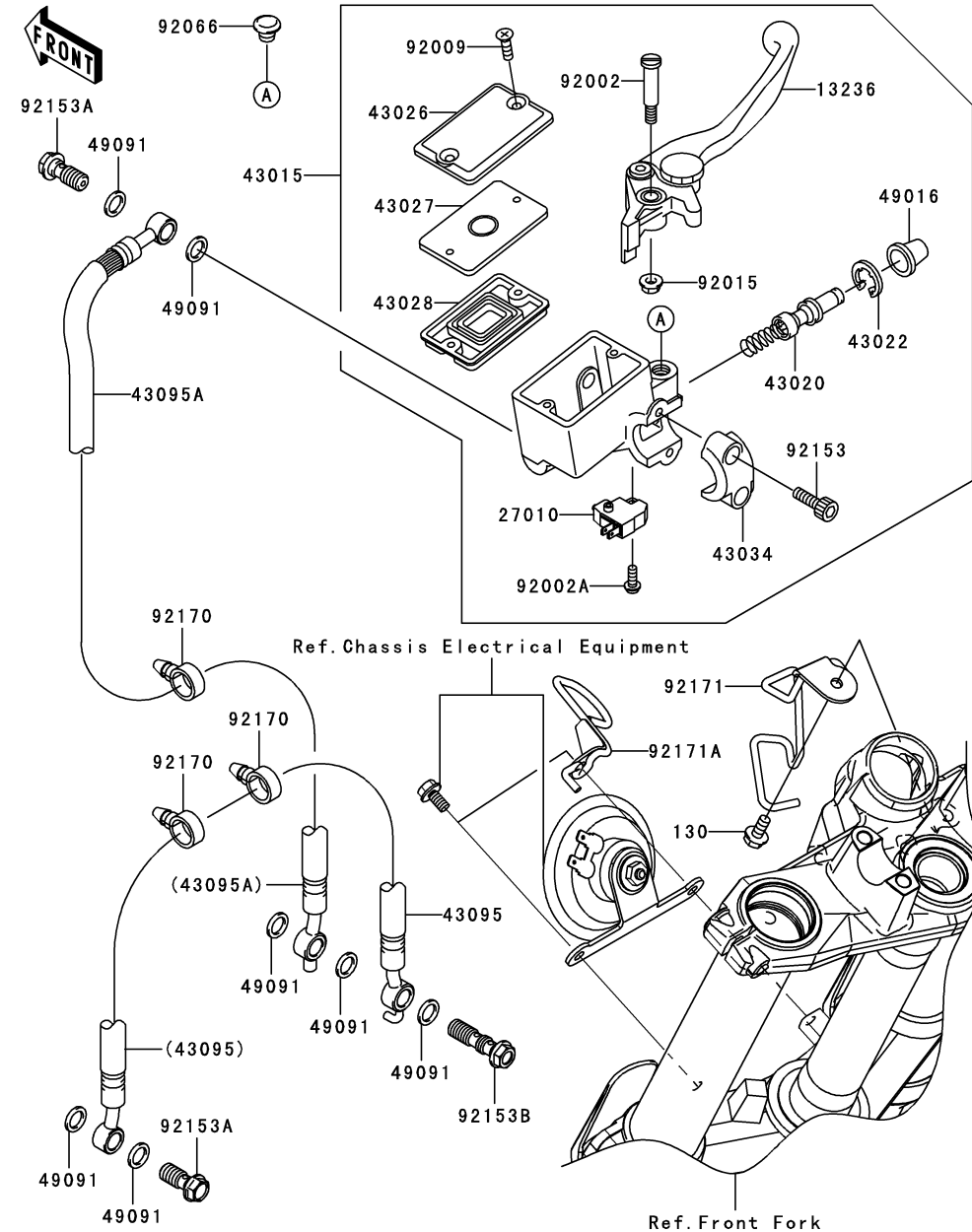
GRID NO.

F-5

This grid covers:

Front Master Cylinder

F2291



Ref. No.	Part No.	Description	Spec Code	Quantity-EX650		
				'06	'07	'08
				A6F	A7F	A8F
13236	13236-1337	LEVER-COMP,FRONT BRAKE	1	1	1	
27010	27010-0025	SWITCH,BRAKE	1	1	1	
43015	43015-0011	CYLINDER-ASSY-MASTER,FR	1	1	1	
43020	43020-1054	PISTON-COMP-BRAKE,FR	1	1	1	
43022	43022-1010	STOPPER-BRAKE,PISTON	1	1	1	
43026	43026-1076	CAP-BRAKE	1	1	1	
43027	43027-1055	PLATE-DIAPHRAGM	1	1	1	
43028	43028-1058	DIAPHRAGM,MASTER CYLINDER	1	1	1	
43034	43034-1053	HOLDER-BRAKE,MASTER CYLINDER	1	1	1	
43095	43095-0211	HOSE-BRAKE,FR	1	1	1	
43095A	43095-0265	HOSE-BRAKE,FR	1	1	1	
49016	49016-1044	COVER-SEAL,MASTER CYLINDER	1	1	1	
49091	49091-0001	WASHER-SEAL,10.1X14.5X1.5	7	7	7	
92002	92002-1322	BOLT,LEVER SET,BLACK	1	1	1	
92002A	92002-1323	BOLT,SCREW,4X12	1	1	1	
92009	92009-1458	SCREW,4MM	2	2	2	
92015	92015-1233	NUT,FLANGED,6MM,BLACK	1	1	1	
92066	92066-1077	PLUG,9.5X8,POLYETHYLENE	1	1	1	
92153	92153-0417	BOLT,SOCKET,6X20	2	2	2	
92153A	92153-0627	BOLT,OIL,L=23	2	2	2	
92153B	92153-0628	BOLT,OIL,L=37	1	1	1	
92170	92170-1067	CLAMP	3	3	3	
92171	92171-0685	CLAMP,BRAKE HOSE	1	1	1	
92171A	92171-0706	CLAMP,CABLE	1	1	1	
130	130L0612	BOLT-FLANGED,6X12	1	1	1	

This catalog covers:

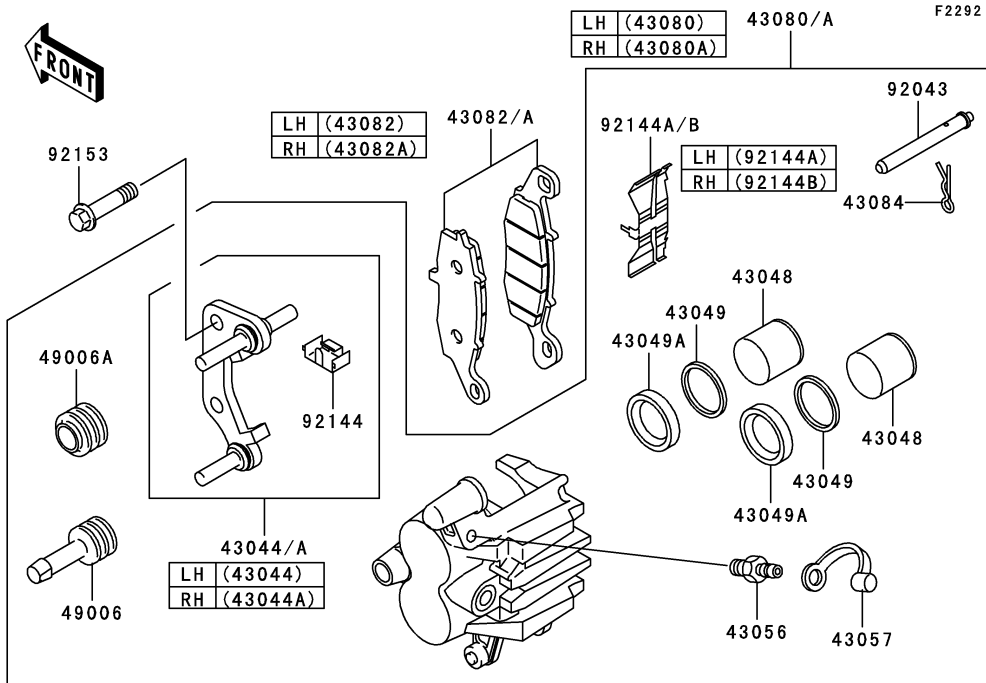
'06~'08 EX650 A6F/A7F/A8F Chassis

GRID NO.

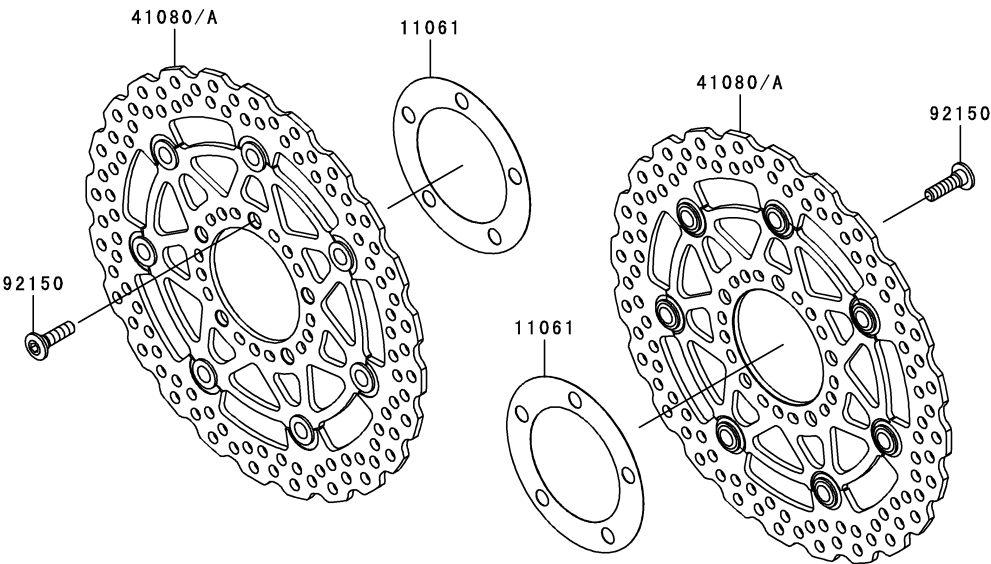
F-6

This grid covers:

Front Brake



F2292



Ref. No.	Part No.	Description	Spec Code	Quantity-EX650		
				'06	'07	'08
				A6F	A7F	A8F
11061	11061-0029	GASKET,DISC PLATE	2	2	2	
41080	41080-0078-10R	DISC,FR,GOLD+DISC-SILVER	2			
41080A	41080-0103-11I	DISC,FR,BLACK+DISC SILVER		2	2	
43044	43044-1115	HOLDER-COMP-CALIPER,FR,LH	1	1	1	
43044A	43044-1116	HOLDER-COMP-CALIPER,FR,RH	1	1	1	
43048	43048-1073	PISTON-CALIPER	4	4	4	
43049	43049-1068	PACKING	4	4	4	
43049A	43049-1092	PACKING,PISTON SEAL	4	4	4	
43056	43056-1054	BREATHER-BRAKE	2	2	2	
43057	43057-003	CAP-BREATHER	2	2	2	
43080	43080-5017-DJ	CALIPER-SUB-ASSY,FR,LH,BLACK	1	1	1	
43080A	43080-5028-DJ	CALIPER-SUB-ASSY,FR,RH,BLACK	1	1	1	
43082	43082-0050	PAD-ASSY-BRAKE,LH	1	1	1	
43082A	43082-0051	PAD-ASSY-BRAKE,RH	1	1	1	
43084	43084-003	CLAMP,PAD	2	2	2	
49006	49006-1054	BOOT,CALIPER	2	2	2	
49006A	49006-1095	BOOT,CALIPER	2	2	2	
92043	92043-1489	PIN,PAD	2	2	2	
92144	92144-1831	SPRING,STOPPER	2	2	2	
92144A	92144-1832	SPRING,PAD,LH	1	1	1	
92144B	92144-1844	SPRING,PAD,RH	1	1	1	
92150	92150-1771	BOLT,SOCKET,8X30	10	10	10	
92153	92153-0587	BOLT,FLANGED,10X41	4	4	4	

This catalog covers:

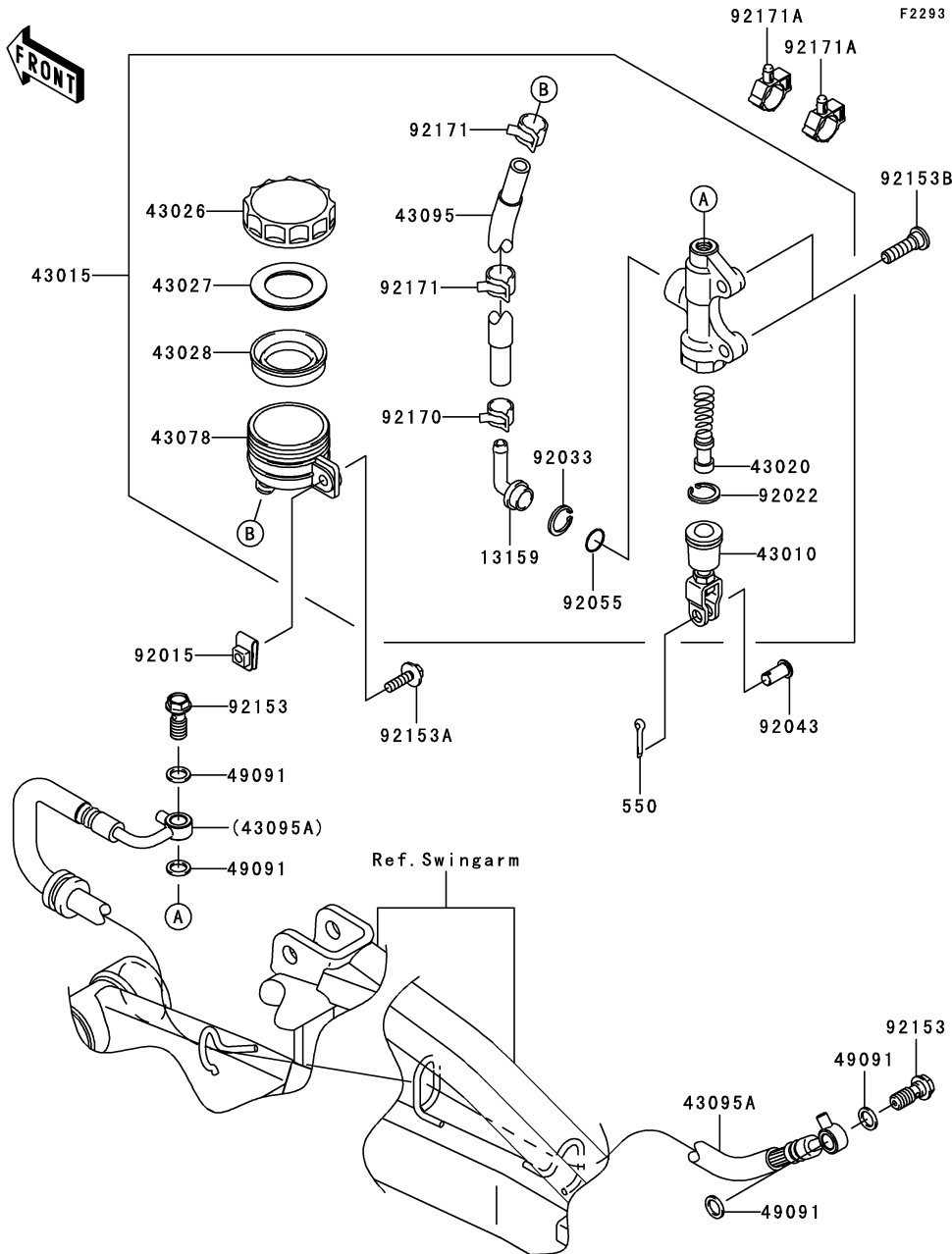
'06~'08 EX650 A6F/A7F/A8F Chassis

GRID NO.

F-7

This grid covers:

Rear Master Cylinder



Ref. No.	Part No.	Description	Quantity-EX650		
			'06	'07	'08
			A6F	A7F	A8F
13159	13159-1056	CONNECTOR	1	1	1
43010	43010-1074	ROD-ASSY-BRAKE	1	1	1
43015	43015-0068	CYLINDER-ASSY-MASTER,RR	1	1	1
43020	43020-1094	PISTON-COMP-BRAKE	1	1	1
43026	43026-1051	CAP-BRAKE	1	1	1
43027	43027-1051	PLATE-DIAPHRAGM	1	1	1
43028	43028-1057	DIAPHRAGM,MASTER CYLINDER	1	1	1
43078	43078-1082	RESERVOIR,RR MASTER CYLINDER	1	1	1
43095	43095-0193	HOSE-BRAKE,RR MASTER CYLINDER	1	1	1
43095A	43095-0238	HOSE-BRAKE,RR	1	1	1
49091	49091-0001	WASHER-SEAL,10.1X14.5X1.5	4	4	4
92015	92015-1602	NUT,6MM	1	1	1
92022	92022-1601	WASHER,CIRCRIP	1	1	1
92033	92033-1186	RING-SNAP,20.5MM	1	1	1
92043	92043-0104	PIN,8X17	1	1	1
92055	92055-1251	RING-O,MASTER CYLINDER	1	1	1
92153	92153-0627	BOLT,OIL,L=23	2	2	2
92153A	92153-0725	BOLT,6X22	1	1	1
92153B	92153-1624	BOLT,SOCKET,8X30	2	2	2
92170	92170-1091	CLAMP,HOSE	1	1	1
92171	92171-0463	CLAMP,HOSE	2	2	2
92171A	92171-0955	CLAMP	2	2	2
550	550D2015	PIN-COTTER,2.0X15	1	1	1

This catalog covers:

'06~'08 EX650 A6F/A7F/A8F Chassis

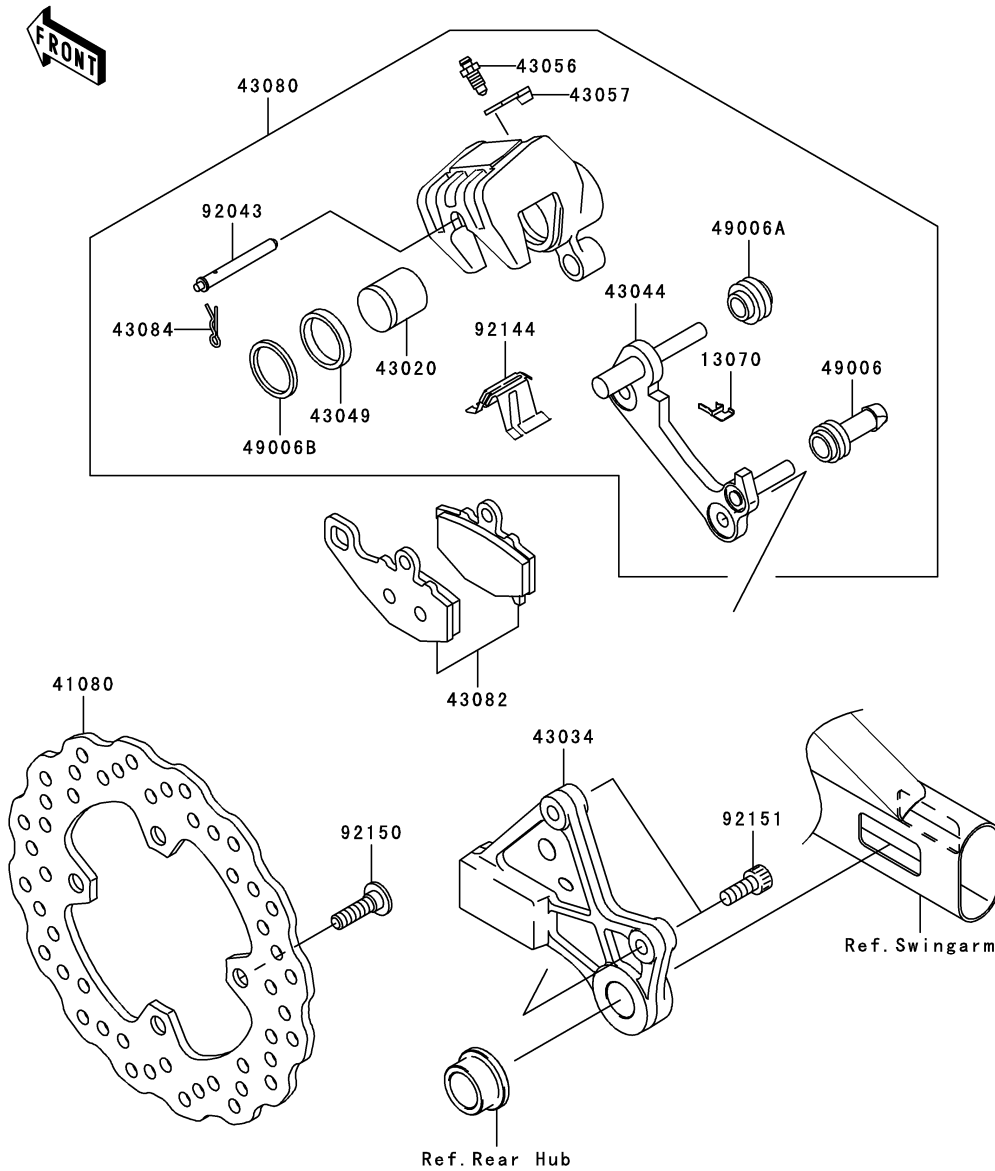
GRID NO.

F-8

This grid covers:

Rear Brake

F2294



Ref. No.	Part No.	Description	Spec Code	Quantity-EX650		
				'06	'07	'08
				A6F	A7F	A8F
13070	13070-0045	GUIDE,BRAKE PAD	1	1	1	
41080	41080-0040	DISC,RR	1	1	1	
43020	43020-1119	PISTON-COMP-BRAKE	1	1	1	
43034	43034-0004	HOLDER-BRAKE,REAR CALIPER	1	1	1	
43044	43044-1110	HOLDER-COMP-CALIPER,RR	1	1	1	
43049	43049-1097	PACKING,PISTON SEAL	1	1	1	
43056	43056-1054	BREATHER-BRAKE	1	1	1	
43057	43057-003	CAP-BREATHER	1	1	1	
43080	43080-5061-DJ	CALIPER-SUB-ASSY,RR,BLACK	1	1	1	
43082	43082-1213	PAD-ASSY-BRAKE	1	1	1	
43084	43084-003	CLAMP,PAD	1	1	1	
49006	49006-1054	BOOT,CALIPER	1	1	1	
49006A	49006-1095	BOOT,CALIPER	1	1	1	
49006B	49006-1212	BOOT,PISTON SEAL	1	1	1	
92043	92043-1489	PIN,PAD	1	1	1	
92144	92144-1719	SPRING,PAD	1	1	1	
92150	92150-1771	BOLT,SOCKET,8X30	4	4	4	
92151	92151-1289	BOLT,SOCKET,8X20	2	2	2	

This catalog covers:

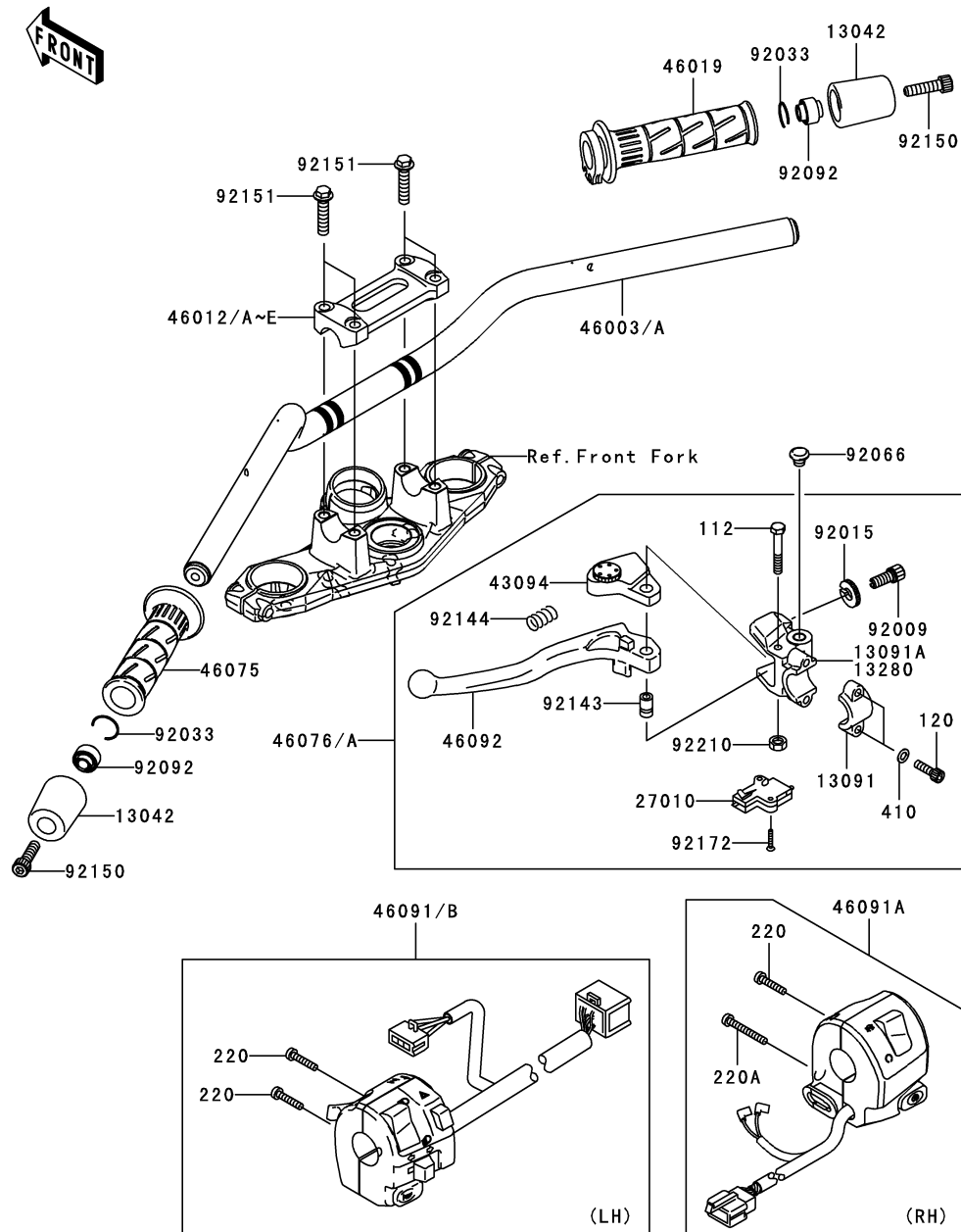
'06~'08 EX650 A6F/A7F/A8F Chassis

GRID NO.

F-9

This grid covers:

Handlebar



F2310

Ref. No.	Part No.	Description	Spec Code	Quantity-EX650			
				'06	'07	'08	
				A6F	A7F	A8F	
13042	13042-1006	WEIGHT,HANDLE	2	2	2		
13091	13091-1624	HOLDER,CLUTCH LEVER	1	1	1		
13091A	13091-1652	HOLDER,CLUTCH LEVER	1	1			
13280	13280-0248	HOLDER,CLUTCH LEVER			1		
27010	27010-1094	SWITCH,CLUTCH,BLACK	1	1	1		
43094	43094-1053	ADJUSTER,CLUTCH LEVER	1	1	1		
46003	46003-0093-458	HANDLE,P,SILVER	1	1	1		
46003A	46003-0093-718	HANDLE,BLACK			1		
46012	46012-0010-11E	HOLDER-HANDLE,UPP,F.S.BLACK			1		
46012A	46012-0010-458	HOLDER-HANDLE,UPP,P,SILVER			1		
46012B	46012-0010-793	HOLDER-HANDLE,UPP,M.BRONZE	1				
46012C	46012-0010-796	HOLDER-HANDLE,UPP,P,RED	1				
46012D	46012-0047-18R	HOLDER-HANDLE,UPP,BLACK				1	
46012E	46012-0047-458	HOLDER-HANDLE,UPP,P,SILVER				1	
46019	46019-0001	GRIP-ASSY,THROTTLE	1	1	1		
46075	46075-1144	GRIP,LH	1	1	1		
46076	46076-0045	LEVER-ASSY-GRIP,CLUTCH			1		
46076A	46076-1180	LEVER-ASSY-GRIP,CLUTCH	1	1			
46091	46091-0086	HOUSING-ASSY-CONTROL,LH	1	1			
46091A	46091-0092	HOUSING-ASSY-CONTROL,RH	1	1	1		
46091B	46091-0118	HOUSING-ASSY-CONTROL,LH				1	
46092	46092-1162	LEVER-GRIP,CLUTCH	1	1	1		
92009	92009-1134	SCREW,CABLE ADJUST,8MM,BLACK	1	1	1		
92015	92015-1197	NUT,CABLE ADJUST LOCK,8MM,BLK	1	1	1		
92033	92033-1102	RING-SNAP,OD=22.2	2	2	2		
92066	92066-1077	PLUG,9.5X8,POLYETHYLENE	1	1	1		
92092	92092-1018	BUSHING-RUBBER,HANDLE	2	2	2		
92143	92143-1379	COLLAR	1	1	1		
92144	92144-1467	SPRING	1	1	1		
92150	92150-1604	BOLT,SOCKET,8X30	2	2	2		
92151	92151-1537	BOLT,FLANGED,8X35	4	4	4		
92172	92172-0183	SCREW,3X16	2	2	2		
92210	92210-0006	NUT,LOCK,6MM	1	1	1		
112	112C0640	BOLT-UPSET,6X40	1	1	1		
120	120S0620	BOLT-SOCKET,6X20	2	2	2		
220	220C0525	SCREW-PAN-CROS,5X25	3	3	3		
220A	220C0540	SCREW-PAN-CROS,5X40	1	1	1		
410	410F0600	WASHER-PLAIN-SMALL,6MM,BLACK	2	2	2		

This catalog covers:

'06~'08 EX650 A6F/A7F/A8F Chassis

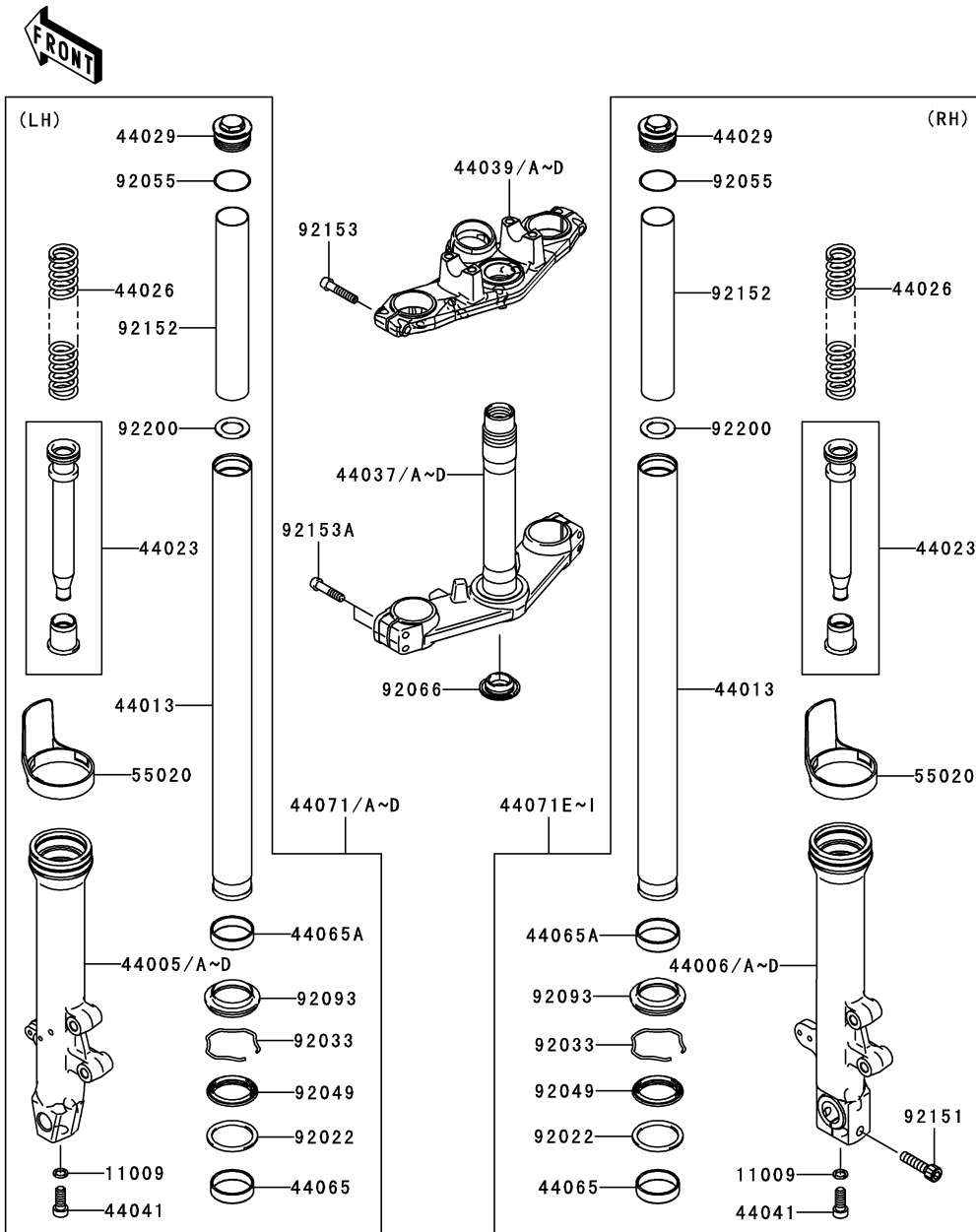
GRID NO.

F-10

This grid covers:

Front Fork(1/2)

F2340



Ref. No.	Part No.	Description	Spec Code	Quantity-EX650			
				'06	'07	'08	
				A6F	A7F	A8F	
11009	11009-1325	GASKET,PIPE-COMP-SUSP	2	2	2		
44005	44005-0045-11E	PIPE-LEFT FORK OUTER,F.S.BLACK		1			
44005A	44005-0045-18R	PIPE-LEFT FORK OUTER,BLACK			1		
44005B	44005-0045-458	PIPE-LEFT FORK OUTER,P.SILVER		1	1		
44005C	44005-0045-793	PIPE-LEFT FORK OUTER,M.BRONZE	1				
44005D	44005-0045-796	PIPE-LEFT FORK OUTER,P.PRED	1				
44006	44006-0045-11E	PIPE-RIGHT FORK OUTER,BLACK		1			
44006A	44006-0045-18R	PIPE-RIGHT FORK OUTER,BLACK			1		
44006B	44006-0045-458	PIPE-RIGHT FORK OUTER,P.SILVER		1	1		
44006C	44006-0045-793	PIPE-RIGHT FORK OUTER,M.BRONZE	1				
44006D	44006-0045-796	PIPE-RIGHT FORK OUTER,P.PRED	1				
44013	44013-0063	PIPE-FORK INNER	2	2	2		
44023	44023-0044	CYLINDER-SET-FORK	2	2	2		
44026	44026-0090	SPRING-FRONT FORK	2	2	2		
44029	44029-0005	SEAT-FORK SPRING	2	2	2		
44037	44037-0050-11E	HOLDER-FORK UNDER,F.S.BLACK		1			
44037A	44037-0050-18R	HOLDER-FORK UNDER,BLACK			1		
44037B	44037-0050-458	HOLDER-FORK UNDER,P.SILVER		1	1		
44037C	44037-0050-793	HOLDER-FORK UNDER,M.BRONZE	1				
44037D	44037-0050-796	HOLDER-FORK UNDER,P.PRED	1				
44039	44039-0033-11E	HOLDER-FORK UPPER,F.S.BLACK		1			
44039A	44039-0033-18R	HOLDER-FORK UPPER,BLACK			1		
44039B	44039-0033-458	HOLDER-FORK UPPER,P.SILVER		1	1		
44039C	44039-0033-793	HOLDER-FORK UPPER,M.BRONZE	1				
44039D	44039-0033-796	HOLDER-FORK UPPER,P.PRED	1				
44041	44041-040	BOLT,SOCKET,FORK CYLINDER	2	2	2		
44065	44065-0014	BUSHING-FRONT FORK,INNER TUBE	2	2	2		
44065A	44065-1115	BUSHING-FRONT FORK,OUTER TUBE	2	2	2		
44071	44071-0289-11E	DAMPER-ASSY,FORK,LH,F.S.BLACK		1			
44071A	44071-0289-18R	DAMPER-ASSY,FORK,LH,BLACK			1		
44071B	44071-0289-458	DAMPER-ASSY,FORK,LH,P.SILVER		1	1		
44071C	44071-0289-793	DAMPER-ASSY,FORK,LH,M.BRONZE	1				
44071D	44071-0289-796	DAMPER-ASSY,FORK,LH,P.PRED	1				
44071E	44071-0290-11E	DAMPER-ASSY,FORK,RH,F.S.BLACK		1			
44071F	44071-0290-18R	DAMPER-ASSY,FORK,RH,BLACK			1		
44071G	44071-0290-458	DAMPER-ASSY,FORK,RH,P.SILVER		1	1		
44071H	44071-0290-793	DAMPER-ASSY,FORK,RH,M.BRONZE	1				
44071I	44071-0290-796	DAMPER-ASSY,FORK,RH,P.PRED	1				
55020	55020-1691	GUARD,FORK	2	2	2		
92022	92022-1298	WASHER,FORK OUTER TUBE	2	2	2		

This catalog covers:

'06~'08 EX650 A6F/A7F/A8F Chassis

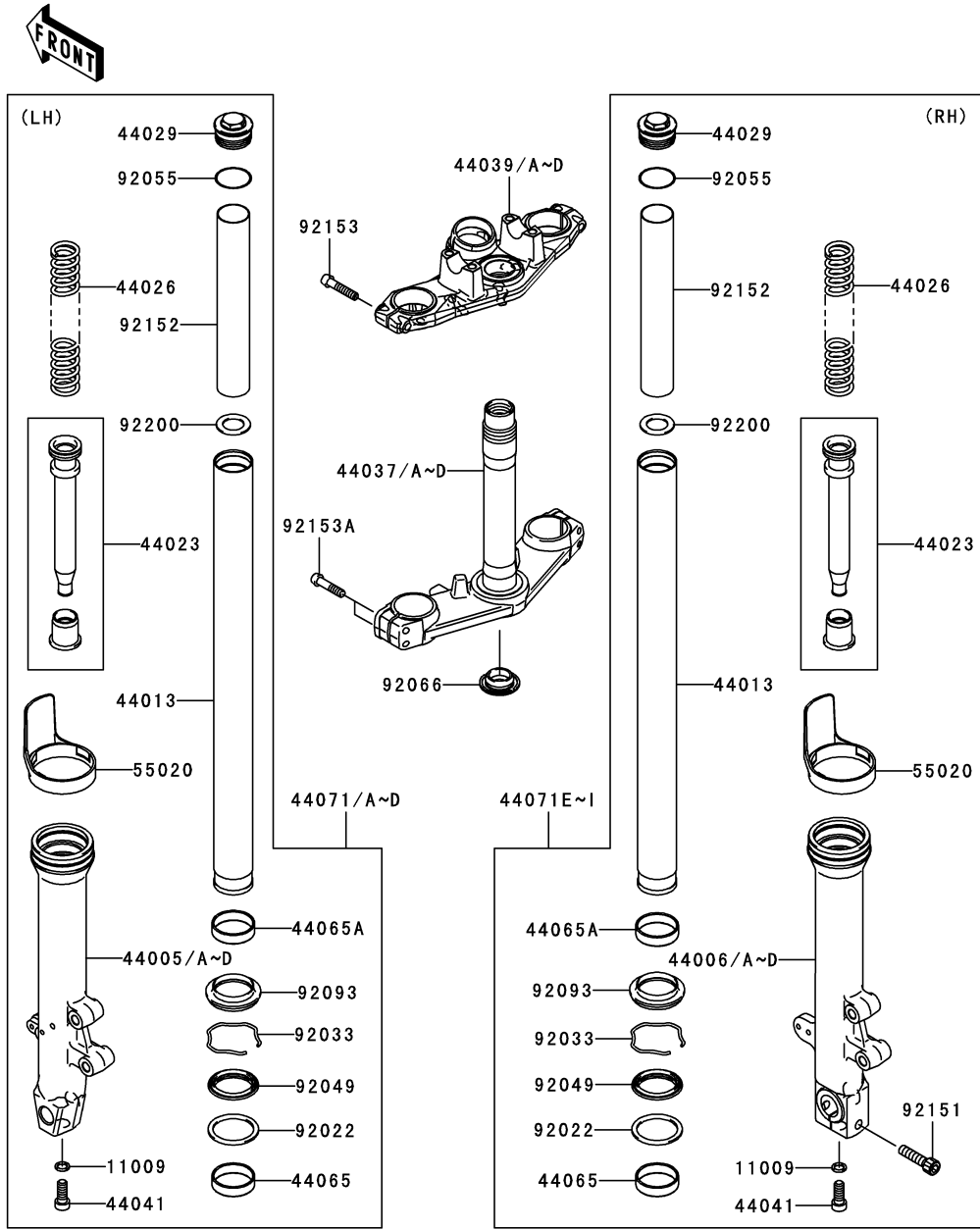
GRID NO.

F-11

This grid covers:

Front Fork(2/2)

F2340



Ref. No.	Part No.	Description	Spec Code	Quantity-EX650		
				'06	'07	'08
			A6F	A7F	A8F	

92033	92033-1036	RING-SNAP	2	2	2
92049	92049-0073	SEAL-OIL	2	2	2
92055	92055-1321	RING-O	2	2	2
92066	92066-0032	PLUG	1	1	1
92093	92093-1472	SEAL,FORK OUTER TUBE	2	2	2
92151	92151-1357	BOLT,SOCKET,10X40	1	1	1
92152	92152-0410	COLLAR,FORK	2	2	2
92153	92153-0506	BOLT,SOCKET,8X40	2	2	2
92153A	92153-1472	BOLT,SOCKET,8X35	4	4	4
92200	92200-1302	WASHER	2	2	2

This catalog covers:

'06~'08 EX650 A6F/A7F/A8F Chassis

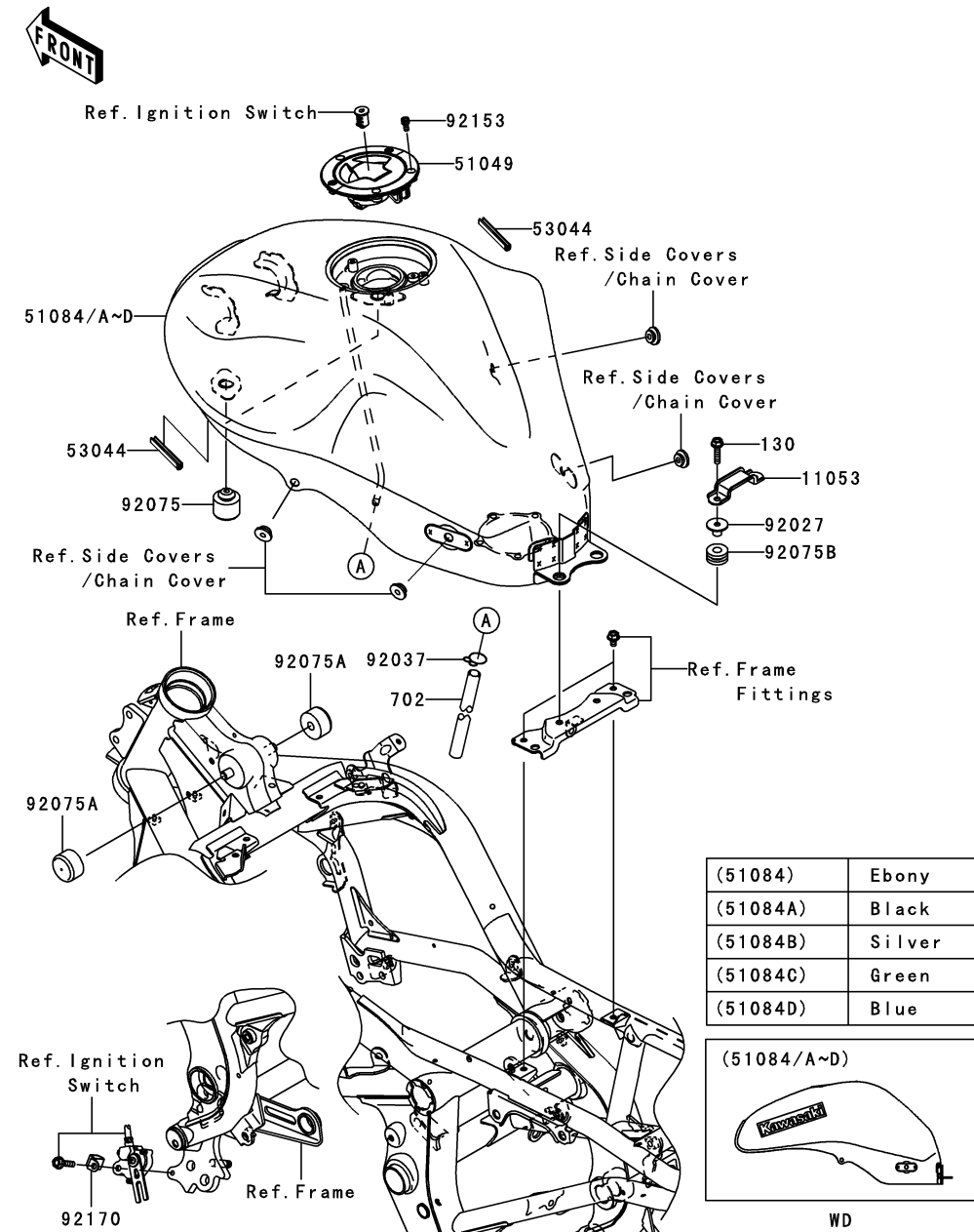
GRID NO.

F-12

This grid covers:

Fuel Tank

F2410



Ref. No.	Part No.	Description	Spec Code	Quantity-EX650				
				'06	'07	'08		
				A6F	A7F	A8F		
11053	11053-1812	BRACKET,SEAT	1	1	1			
51049	51049-0012	CAP-TANK,FUEL	1	1	1			
51084	51084-5138-H8	TANK-COMP-FUEL,EBONY	1					
51084A	51084-5138-17K	TANK-COMP-FUEL,M.BLACK		1	1			
51084B	51084-5139-474	TANK-COMP-FUEL,G.SILVER	1					
51084C	51084-5140-777	TANK-COMP-FUEL,L.GREEN				1		
51084D	51084-5331-723	TANK-COMP-FUEL,C.P.BLUE		1				
53044	53044-1249	TRIM,L=60	2	2	2			
92027	92027-251	COLLAR,L=13.1	2	2	2			
92037	92037-010	CLAMP,TUBE	1	1	1			
92075	92075-1002	DAMPER	2	2	2			
92075A	92075-125	DAMPER,FUEL TANK	2	2	2			
92075B	92075-1690	DAMPER	2	2	2			
92153	92153-1616	BOLT,SOCKET,5X16	3	3	3			
92170	92170-1833	CLAMP	1	1	1			
130	130L0625	BOLT-FLANGED,6X25	2	2	2			
702	702A06750	TUBE-RUBBER,6X9X750	1	1	1			

This catalog covers:

'06~'08 EX650 A6F/A7F/A8F Chassis

GRID NO.

F-13

This grid covers:

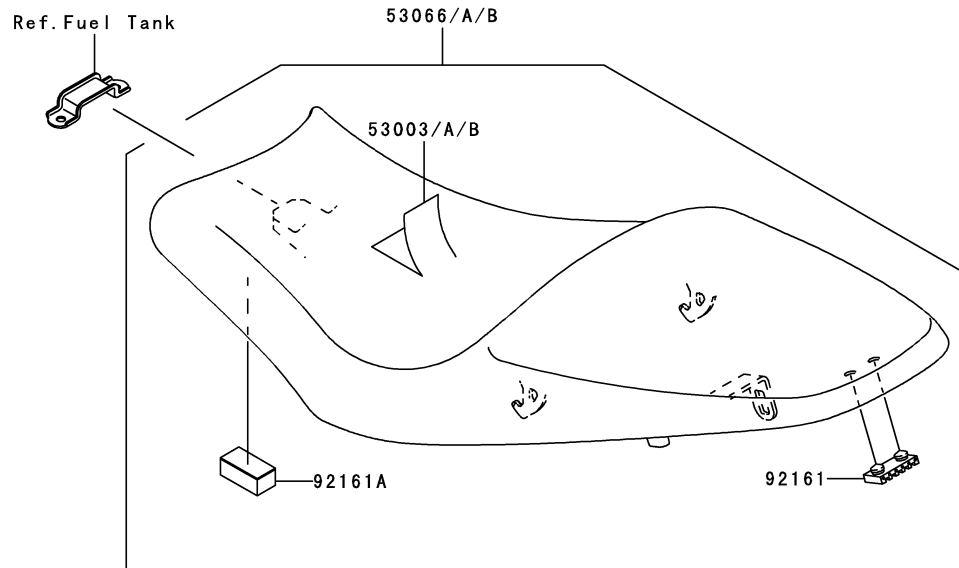
Seat

F2510



Ref. No.	Part No.	Description	Spec Code	Quantity-EX650			
				'06	'07	'08	
				A6F	A7F	A8F	

53003	53003-0058-MA	LEATHER,SEAT,BLACK				1
53003A	53003-0066-MA	LEATHER,SEAT,BLACK	1	1		
53003B	53003-0066-810	LEATHER,SEAT,SILVER/BLACK	1			
53066	53066-0110-MA	SEAT-ASSY,DUAL,BLACK	1	1		
53066A	53066-0110-810	SEAT-ASSY,DUAL,SILVER/BLACK	1			
53066B	53066-0136-MA	SEAT-ASSY,DUAL,BLACK				1
92161	92161-0149	DAMPER,SEAT	1	1	1	
92161A	92161-1321	DAMPER,SEAT	1	1	1	



This catalog covers:

'06~'08 EX650 A6F/A7F/A8F Chassis

GRID NO.

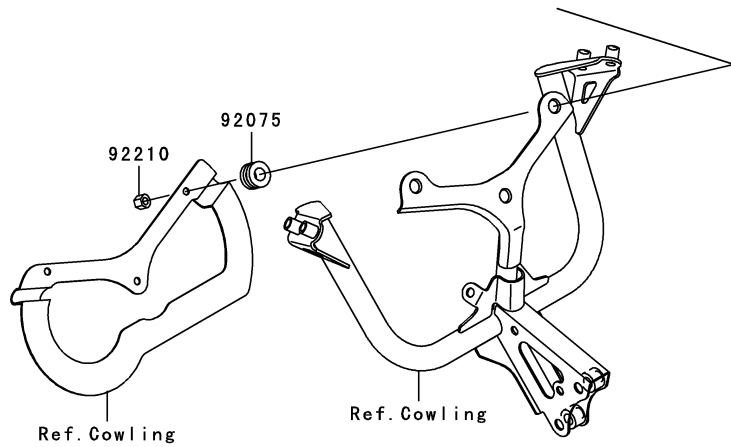
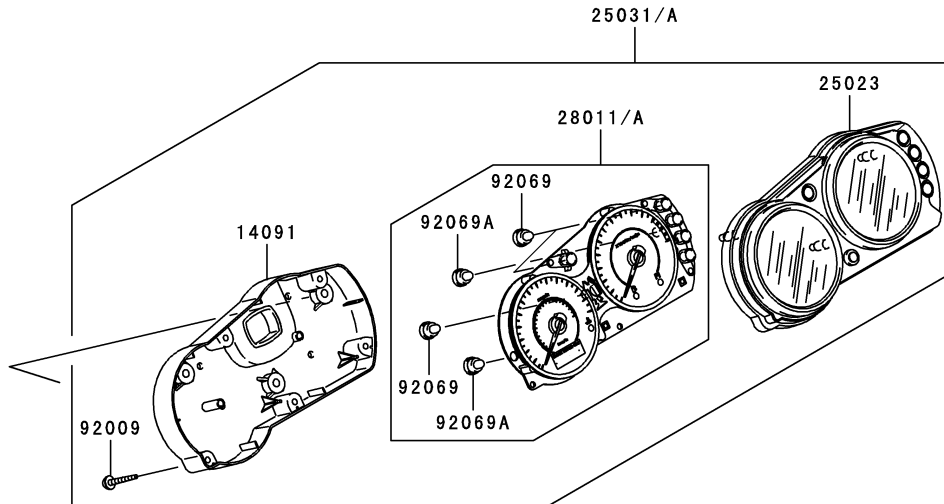
F-14

This grid covers:

Meter(s)

F2530

Ref. No.	Part No.	Description	Spec Code	Quantity-EX650		
				'06	'07	'08
				A6F	A7F	A8F
14091	14091-0367	COVER,METER HOUSING	1	1	1	
25023	25023-0009	COVER-METER CASE,UPP	1	1	1	
25031	25031-0088	METER-ASSY,MPH/KPH				
	L-----	UK	1	1	1	
25031A	25031-0089	METER-ASSY,KPH				
	L-----	WV	1	1	1	
28011	28011-0037	METER,SPEED&TACHO,KPH				
	L-----	WV	1	1	1	
28011A	28011-0038	METER,SPEED&TACHO,MPH/KPH				
	L-----	UK	1	1	1	
92009	92009-1158	SCREW,4X16,BLACK	5	5	5	
92069	92069-1110	BULB,T3.4,12V1.1W	6	6	6	
92069A	92069-1113	BULB,T3,12V0.7W	2	2	2	
92075	92075-1435	DAMPER	3	3	3	
92210	92210-1124	NUT,5MM	3	3	3	



This catalog covers:

'06~'08 EX650 A6F/A7F/A8F Chassis

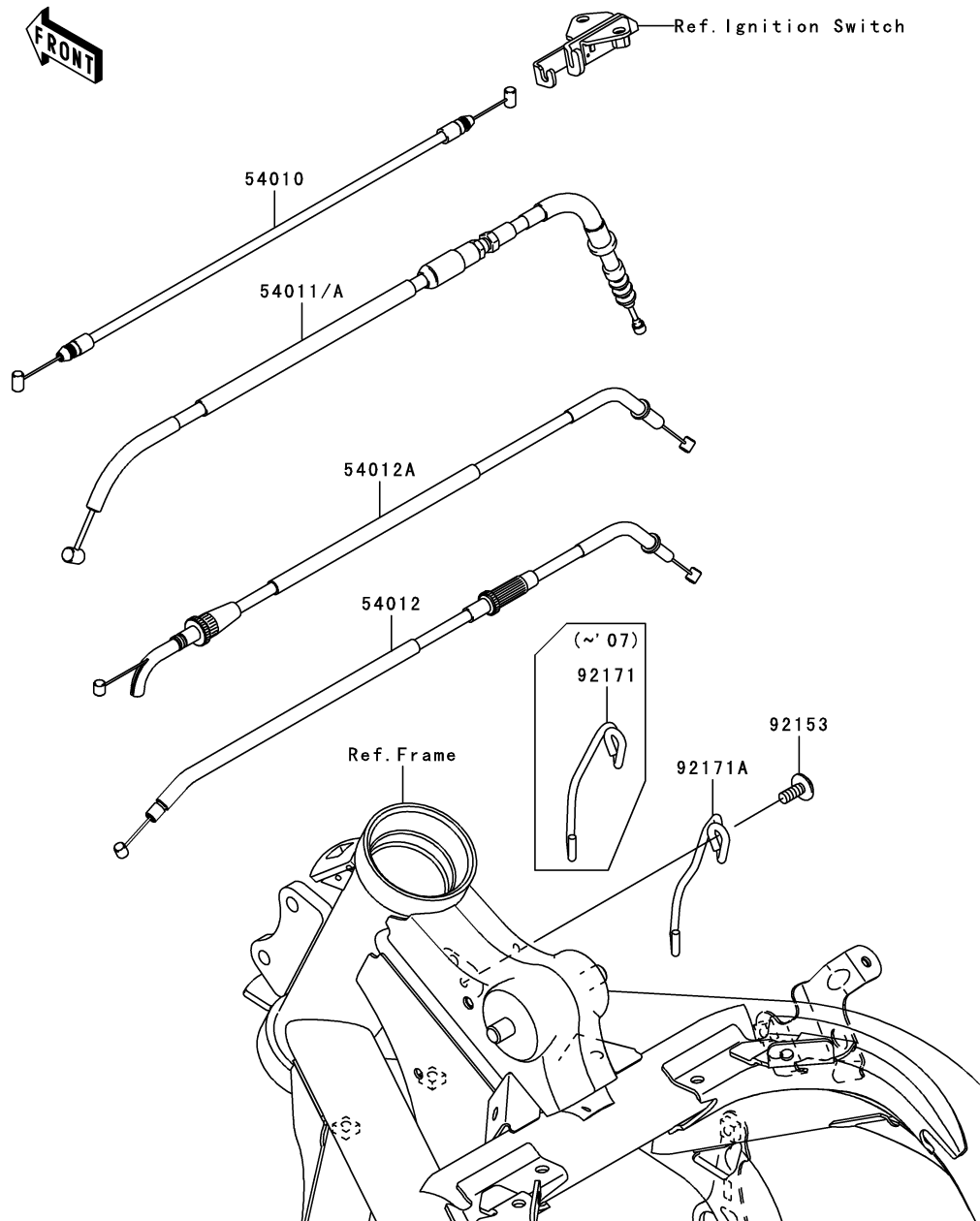
GRID NO.

G-3

This grid covers:

Cables

F2540



Ref. No.	Part No.	Description	Quantity-EX650			
			'06	'07	'08	
			A6F	A7F	A8F	
54010	54010-0029	CABLE,SEAT LOCK	1	1	1	
54011	54011-0046	CABLE-CLUTCH	1	1		
54011A	54011-0083	CABLE-CLUTCH			1	
54012	54012-0164	CABLE-THROTTLE,CLOSING	1	1	1	
54012A	54012-0177	CABLE-THROTTLE,OPENING	1	1	1	
92153	92153-1446	BOLT,SOCKET,6X14	1	1	1	
92171	92171-0658	CLAMP,CABLE	1	1		
92171A	92171-0971	CLAMP,CABLE			1	

This catalog covers:

'06~'08 EX650 A6F/A7F/A8F Chassis

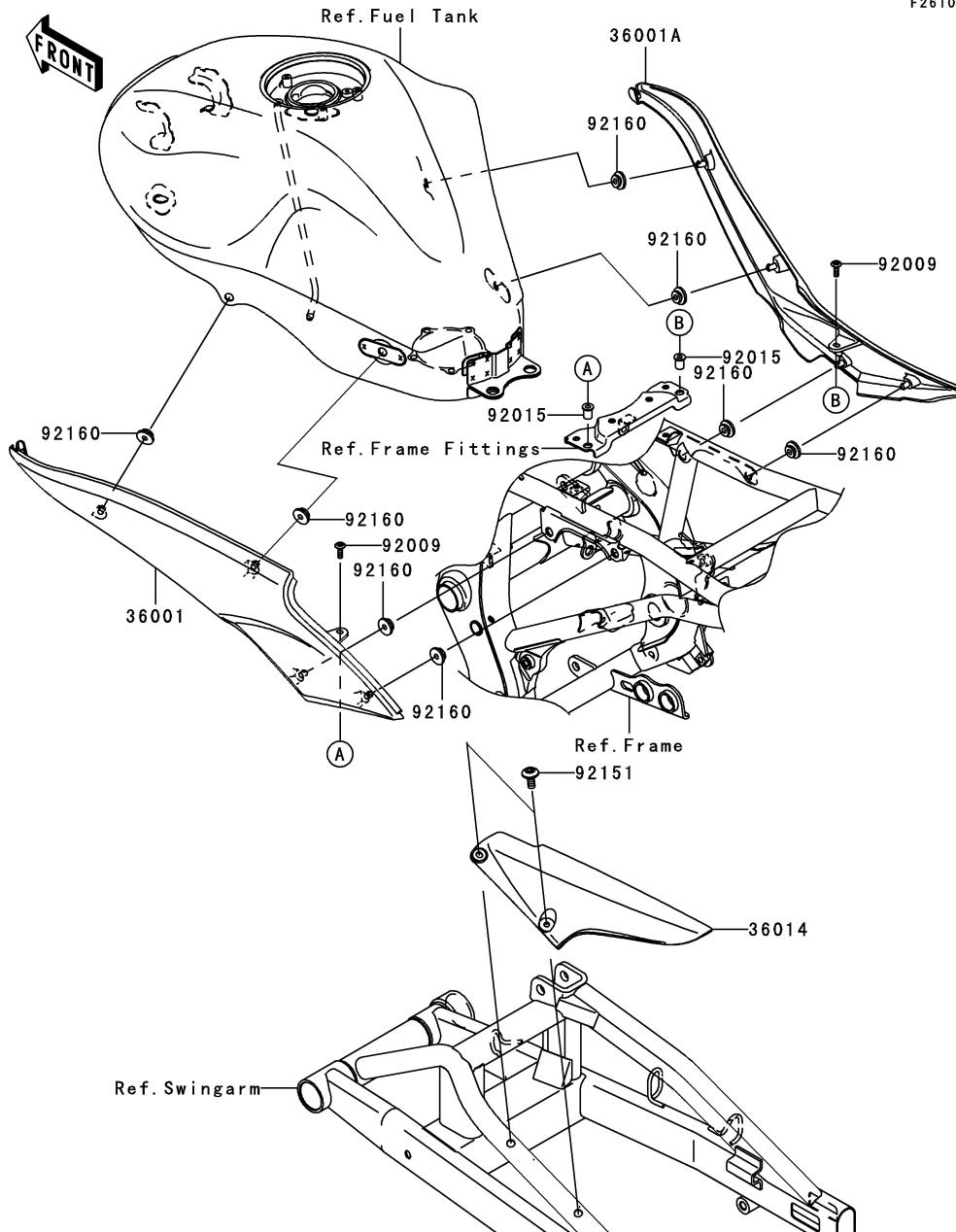
GRID NO.

G-4

This grid covers:

Side Covers/Chain Cover

F2610



Ref. No.	Part No.	Description	Quantity-EX650			
			'06	'07	'08	
			A6F	A7F	A8F	
36001	36001-0063-6Z	COVER-SIDE,LH,F,BLACK	1	1	1	
36001A	36001-0064-6Z	COVER-SIDE,RH,F,BLACK	1	1	1	
36014	36014-0027	CASE-CHAIN	1	1	1	
92009	92009-1909	SCREW,5X16	2	2	2	
92015	92015-1757	NUT,WELL,5MM	2	2	2	
92151	92151-1654	BOLT,SOCKET,6X14	2	2	2	
92160	92160-1613	DAMPER	8	8	8	

This catalog covers:

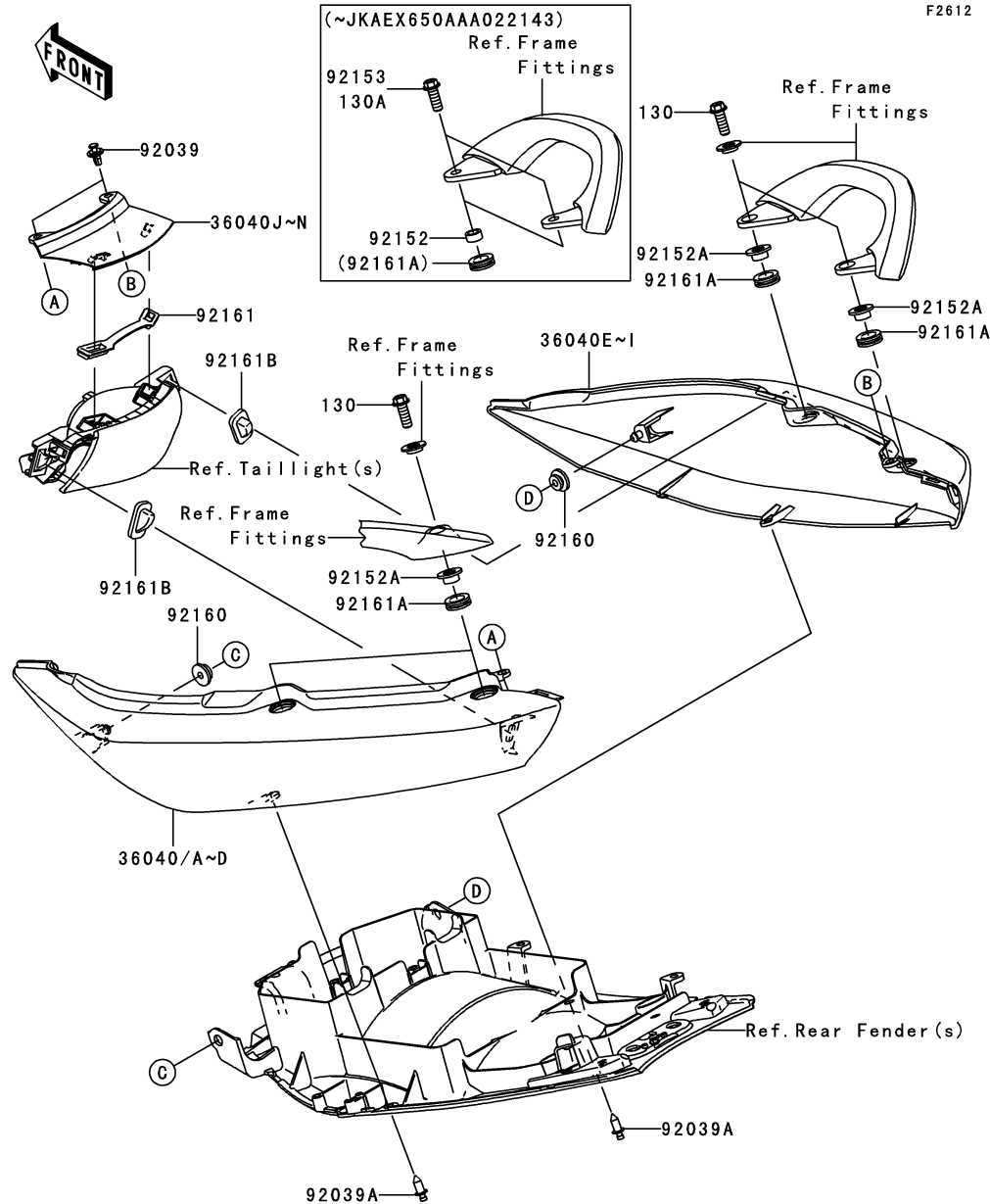
'06~'08 EX650 A6F/A7F/A8F Chassis

GRID NO.

G-5

This grid covers:

Seat Cover



F2612

Ref. No.	Part No.	Description	Spec Code	Quantity-EX650		
				'06 A6F	'07 A7F	'08 A8F
36040	36040-0037-H8	COVER-TAIL,LH,EBONY	1			
36040A	36040-0037-17K	COVER-TAIL,LH,M.BLACK		1	1	
36040B	36040-0037-474	COVER-TAIL,LH,G.SILVER	1			
36040C	36040-0037-723	COVER-TAIL,LH,C.P.BLUE		1		
36040D	36040-0037-777	COVER-TAIL,LH,L.GREEN			1	
36040E	36040-0038-H8	COVER-TAIL,RH,EBONY	1			
36040F	36040-0038-17K	COVER-TAIL,RH,M.BLACK		1	1	
36040G	36040-0038-474	COVER-TAIL,RH,G.SILVER	1			
36040H	36040-0038-723	COVER-TAIL,RH,C.P.BLUE		1		
36040I	36040-0038-777	COVER-TAIL,RH,L.GREEN			1	
36040J	36040-0039-H8	COVER-TAIL,CNT,EBONY	1			
36040K	36040-0039-17K	COVER-TAIL,CNT,M.BLACK		1	1	
36040L	36040-0039-474	COVER-TAIL,CNT,G.SILVER	1			
36040M	36040-0039-723	COVER-TAIL,CNT,C.P.BLUE		1		
36040N	36040-0039-777	COVER-TAIL,CNT,L.GREEN			1	
92039	92039-1227	RIVET	2	2	2	
92039A	92039-1283	RIVET	2	2	2	
92152	92152-0312	COLLAR,9.2X13.8X6.5	4	4		
	(JKAEX650AAA022143)					
92152A	92152-0550	COLLAR	4	4		
	(JKAEX650AAA022144 -)					
92153	92153-1503	BOLT,FLANGED,8X20	4			
92160	92160-1613	DAMPER	2	2	2	
92161	92161-0191	DAMPER,TAIL LAMP	1	1	1	
92161A	92161-0279	DAMPER	4	4	4	
92161B	92161-0280	DAMPER	2	2	2	
130	130S0825	BOLT-FLANGED,8X25	4	4		
	(JKAEX650AAA022144 -)					
130A	130W0822	BOLT-FLANGED,8X22	4			
	(JKAEX650AAA022143)					

This catalog covers:

'06~'08 EX650 A6F/A7F/A8F Chassis

GRID NO.

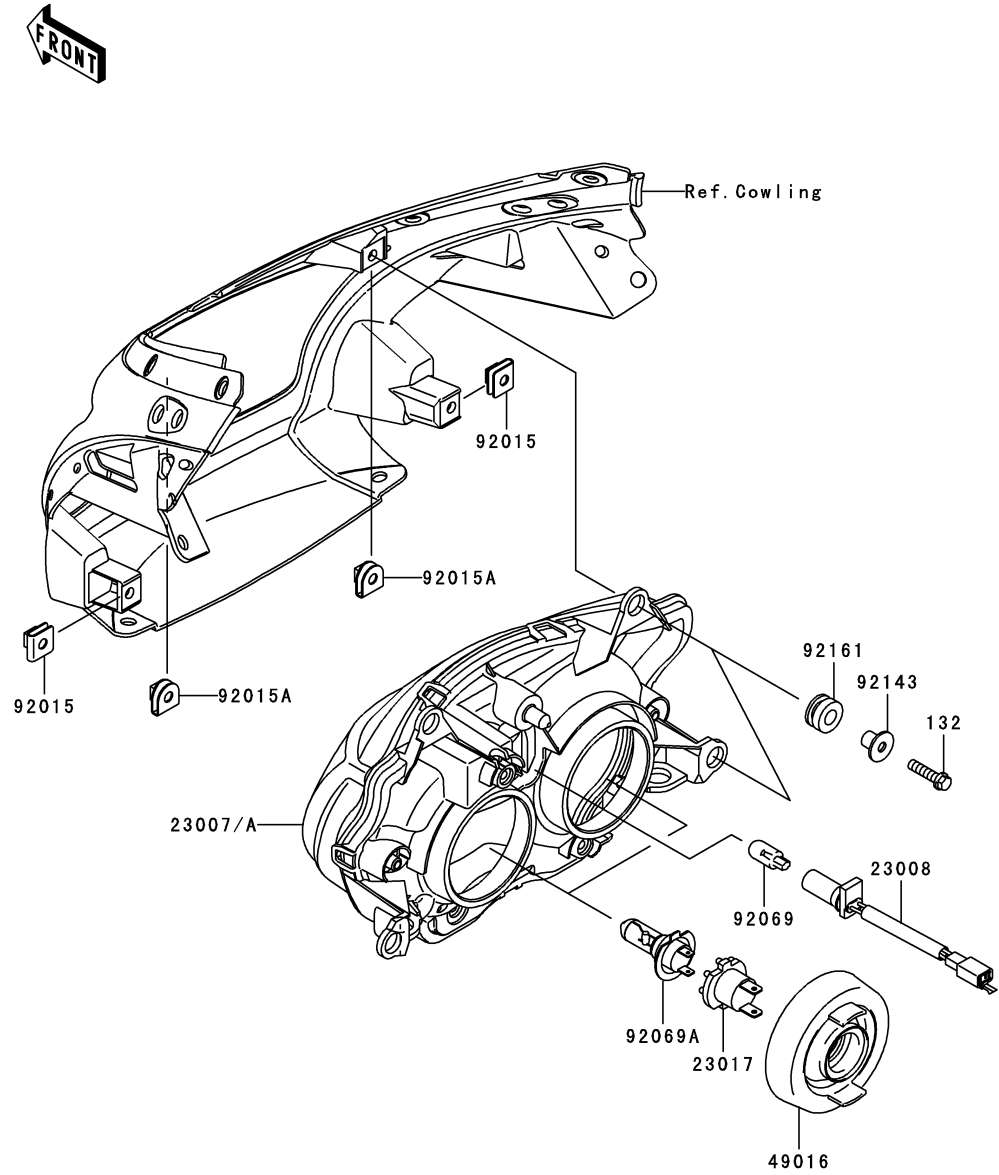
G-6

This grid covers:

Headlight(s)

F2710

Ref. No.	Part No.	Description	Spec Code	Quantity-EX650		
				'06	'07	'08
				A6F	A7F	A8F
23007	23007-0056	LENS-COMP,HEAD LAMP				
	L-----		WV	1	1	
23007A	23007-0058	LENS-COMP,HEAD LAMP				
	L-----		UK	1	1	
23008	23008-1686	SOCKET-ASSY,HEAD LAMP		1	1	
23017	23017-1067	SOCKET,HEAD LAMP		2	2	
49016	49016-1209	COVER-SEAL,HEAD LAMP		2	2	
92015	92015-1094	NUT,6MM		2	2	
92015A	92015-1904	NUT,CLIP,6MM		2	2	
92069	92069-1016	BULB,12V 5W		1	1	
92069A	92069-1126	BULB,12V 55W,H7		2	2	
92143	92143-1353	COLLAR		4	4	
92161	92161-0036	DAMPER		4	4	
132	132J0625	BOLT-FLANGED-SMALL,6X25		4	4	



This catalog covers:

'06~'08 EX650 A6F/A7F/A8F Chassis

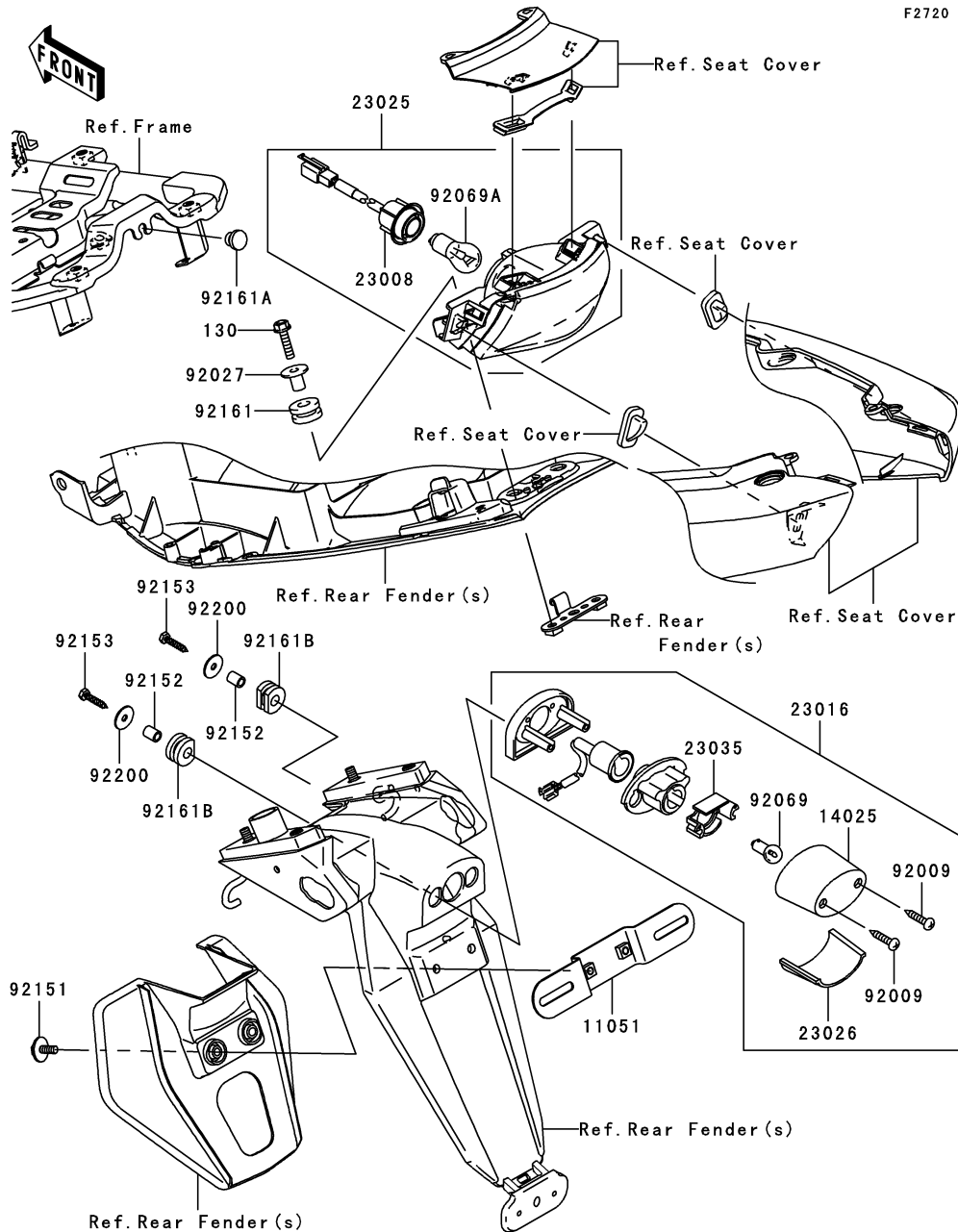
GRID NO.

G-7

This grid covers:

Taillight(s)

F2720



Ref. No.	Part No.	Description	Quantity-EX650			
			'06	'07	'08	
			A6F	A7F	A8F	
11051	11051-1503	BRACKET,LICENSE	1	1	1	
14025	14025-1725	COVER,LICENSE LAMP	1	1	1	
23008	23008-0042	SOCKET-ASSY,TAIL LAMP	1	1	1	
23016	23016-0003	LAMP-ASSY,LICENSE	1	1	1	
23025	23025-0018	LAMP-TAIL	1	1	1	
23026	23026-1064	LENS,LICENSE LAMP	1	1	1	
23035	23035-1066	REFLECTOR-LAMP,LICENSE	1	1	1	
92009	92009-1378	SCREW,TAPPING,4X20	2	2	2	
92027	92027-1847	COLLAR,L=16.1	2	2	2	
92069	92069-1055	BULB,12V 5W	1	1	1	
92069A	92069-1084	BULB,12V 21/5W	1	1	1	
92151	92151-1241	BOLT,6X25	2	2	2	
92152	92152-0372	COLLAR,6X9X11.5	2	2	2	
92153	92153-1424	BOLT,TAPPING,5X25	2	2	2	
92161	92161-0163	DAMPER	2	2	2	
92161A	92161-1084	DAMPER	1	1	1	
92161B	92161-1313	DAMPER	2	2	2	
92200	92200-0284	WASHER,5.5X20X1.2	2	2	2	
130	130J0625	BOLT-FLANGED,6X25	2	2	2	

This catalog covers:

'06~'08 EX650 A6F/A7F/A8F Chassis

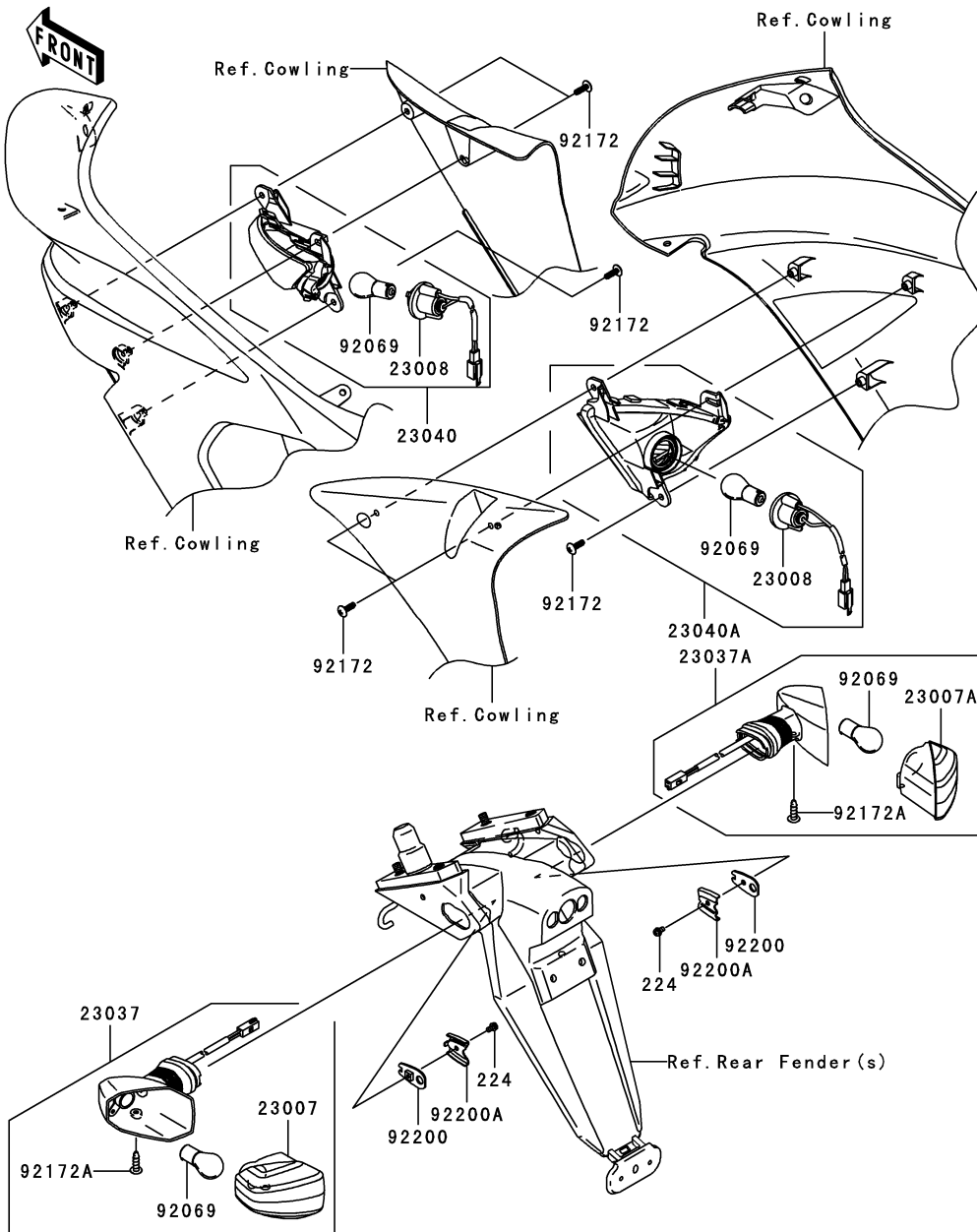
GRID NO.

G-8

This grid covers:

Turn Signals

F2730



Ref. No.	Part No.	Description	Spec Code	Quantity-EX650		
				'06	'07	'08
				A6F	A7F	A8F
23007	23007-0063	LENS-COMP,SIGNAL LAMP,RR,LH	1	1	1	
23007A	23007-0064	LENS-COMP,SIGNAL LAMP,RR,RH	1	1	1	
23008	23008-0044	SOCKET-ASSY,SIGNAL LAMP,FR	2	2	2	
23037	23037-0077	LAMP-ASSY-SIGNAL,RR,LH	1	1	1	
23037A	23037-0078	LAMP-ASSY-SIGNAL,RR,RH	1	1	1	
23040	23040-0059	LAMP-SIGNAL,FR,LH	1	1	1	
23040A	23040-0060	LAMP-SIGNAL,FR,RH	1	1	1	
92069	92069-1125	BULB,12V 21W	4	4	4	
92172	92172-0175	SCREW,TAPPING,5X16	6	6	6	
92172A	92172-0242	SCREW,TAPPING 4X12	2	2	2	
92200	92200-0164	WASHER,SIGNAL LAMP	2	2	2	
92200A	92200-0165	WASHER,SIGNAL LAMP	2	2	2	
224	224C0408	SCREW-PAN-WP-CROS,4X8	2	2	2	

This catalog covers:

'06~'08 EX650 A6F/A7F/A8F Chassis

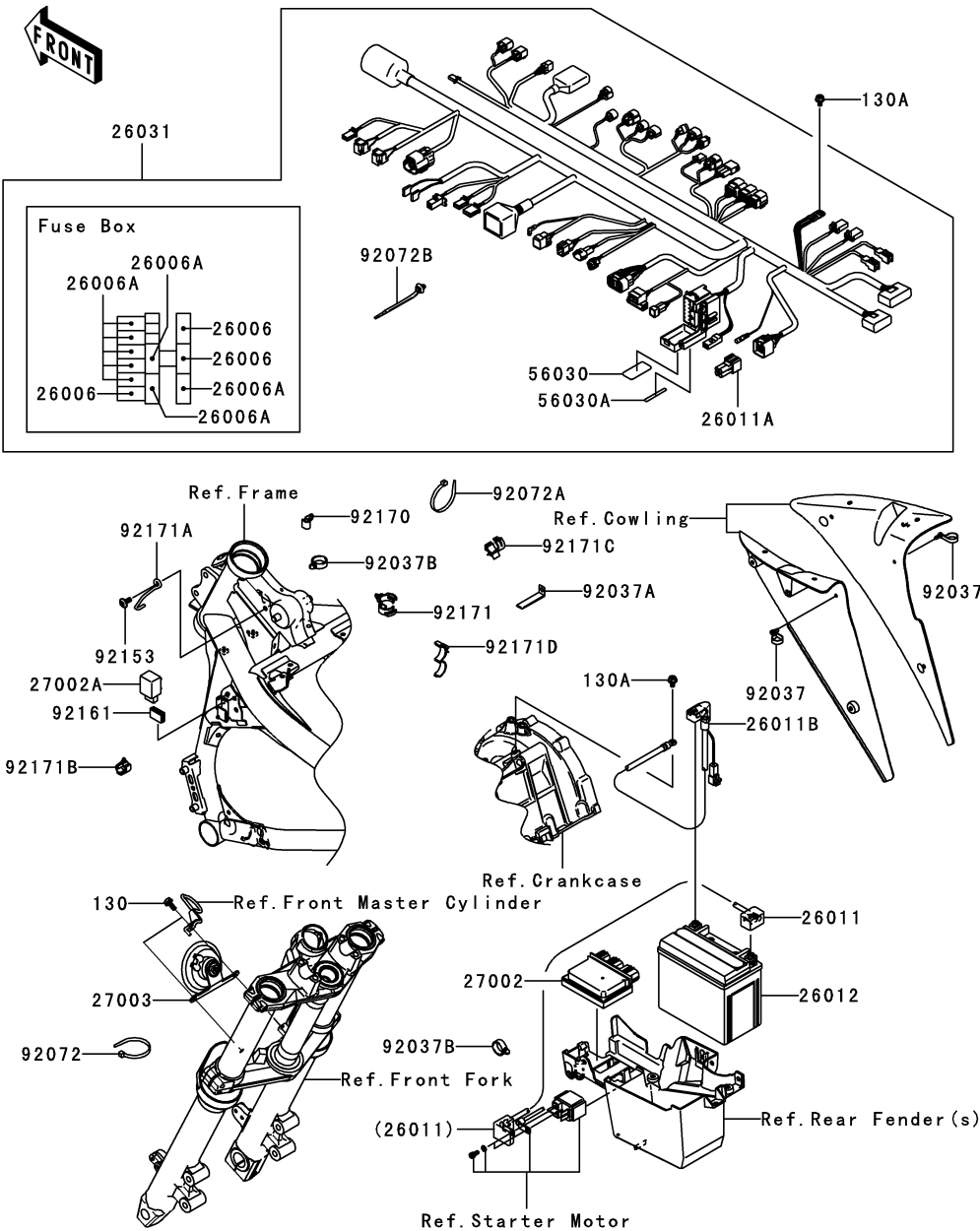
GRID NO.

G-9

This grid covers:

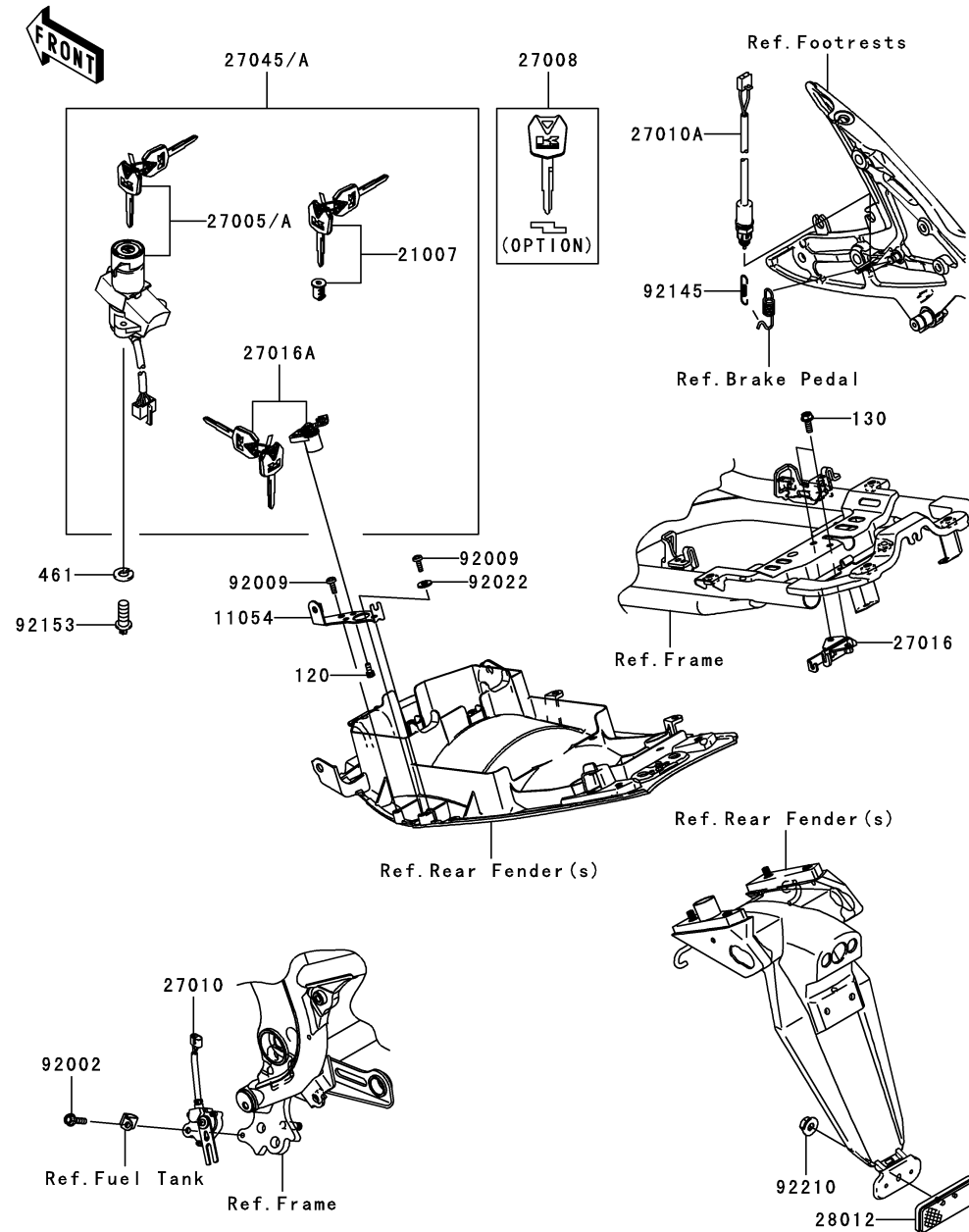
Chassis Electrical Equipment

F2760



Ref. No.	Part No.	Description	Quantity-EX650			
			'06	'07	'08	
			A6F	A7F	A8F	
26006	26006-0001	FUSE,15A	3	3	3	
26006A	26006-1078	FUSE,10A	8	8	8	
26011	26011-0073	WIRE-LEAD,BATTERY(+)	1	1	1	
26011A	26011-0082	WIRE-LEAD	1	1	1	
26011B	26011-0099	WIRE-LEAD,BATTERY(-)	1	1	1	
26012	26012-0094	BATTERY,YTX12-BS,12V 10AH	1	1	1	
26031	26031-0420	HARNISS,MAIN	1	1	1	
27002	27002-0007	RELAY-ASSY	1	1	1	
27002A	27002-0010	RELAY-ASSY,TURN SIGNAL	1	1	1	
27003	27003-0044	HORN	1	1	1	
56030	56030-0046	LABEL,FUSE BOX	1	1	1	
56030A	56030-0098	LABEL,FUSE BOX	1	1	1	
92037	92037-1163	CLAMP,SPEED,L=58	2	2	2	
92037A	92037-1316	CLAMP,HARNISS	3	3	3	
92037B	92037-1827	CLAMP,HOSE	2	2	2	
92072	92072-1195	BAND,L=202	1	1	1	
92072A	92072-1197	BAND,L=365	2	2	2	
92072B	92072-1414	BAND	12	12	12	
92153	92153-1446	BOLT,SOCKET,6X14	1	1	1	
92161	92161-0283	DAMPER,SIGNAL RELAY	1	1	1	
92170	92170-1804	CLAMP	2	2	2	
92171	92171-0069	CLAMP,DIA=20	3	3	3	
92171A	92171-0657	CLAMP,HARNISS	1	1	1	
92171B	92171-1415	CLAMP,DIA=13	1	1	1	
92171C	92171-1424	CLAMP,DIA=15	1	1	1	
92171D	92171-1559	CLAMP,DIA=25	1	1	1	
130	130L0614	BOLT-FLANGED,6X14	2	2	2	
130A	130V0610	BOLT-FLANGED,6X10	2	2	2	

F2770



Ref. No.	Part No.	Description	Spec Code	Quantity-EX650			
				'06	'07	'08	
				A6F	A7F	A8F	
11054	11054-0406	BRACKET,SEAT LOCK	1	1	1		
21007	21007-5057	ROTOR,LOCK,TANK CAP	1	1	1		
27005	27005-5130	SWITCH-ASSY-IGNITION	1	1			
27005A	27005-5139	SWITCH-ASSY-IGNITION			1		
27008	27008-0030	KEY-LOCK,BLANK	1	1	1		
	(OPTION)						
27010	27010-1455	SWITCH,SIDE STAND	1	1	1		
27010A	27010-1479	SWITCH,REAR BRAKE	1	1	1		
27016	27016-1115	LOCK-ASSY,SEAT STRIKER	1	1	1		
27016A	27016-5309	LOCK-ASSY,SEAT	1	1	1		
27045	27045-5231	SWITCH-ASSY	1	1			
27045A	27045-5356	SWITCH-ASSY			1		
28012	28012-1077	REFLECTOR-REFLEX	1	1	1		
92002	92002-1582	BOLT,FLANGED,6X25	1	1	1		
92009	92009-3845	SCREW,6X14	2	2	2		
92022	92022-1342	WASHER,6.5X16X2	1	1	1		
92145	92145-0091	SPRING,REAR BRAKE SWITCH	1	1	1		
92153	92153-0967	BOLT,TORX,6X16	2	2	2		
92210	92210-0007	NUT,FLANGED,5MM	1	1	1		
120	120S0512	BOLT-SOCKET,5X12	2	2	2		
130	130L0612	BOLT-FLANGED,6X12	2	2	2		
461	461L0600	WASHER-SPRING	2	2	2		

This catalog covers:

'06~'08 EX650 A6F/A7F/A8F Chassis

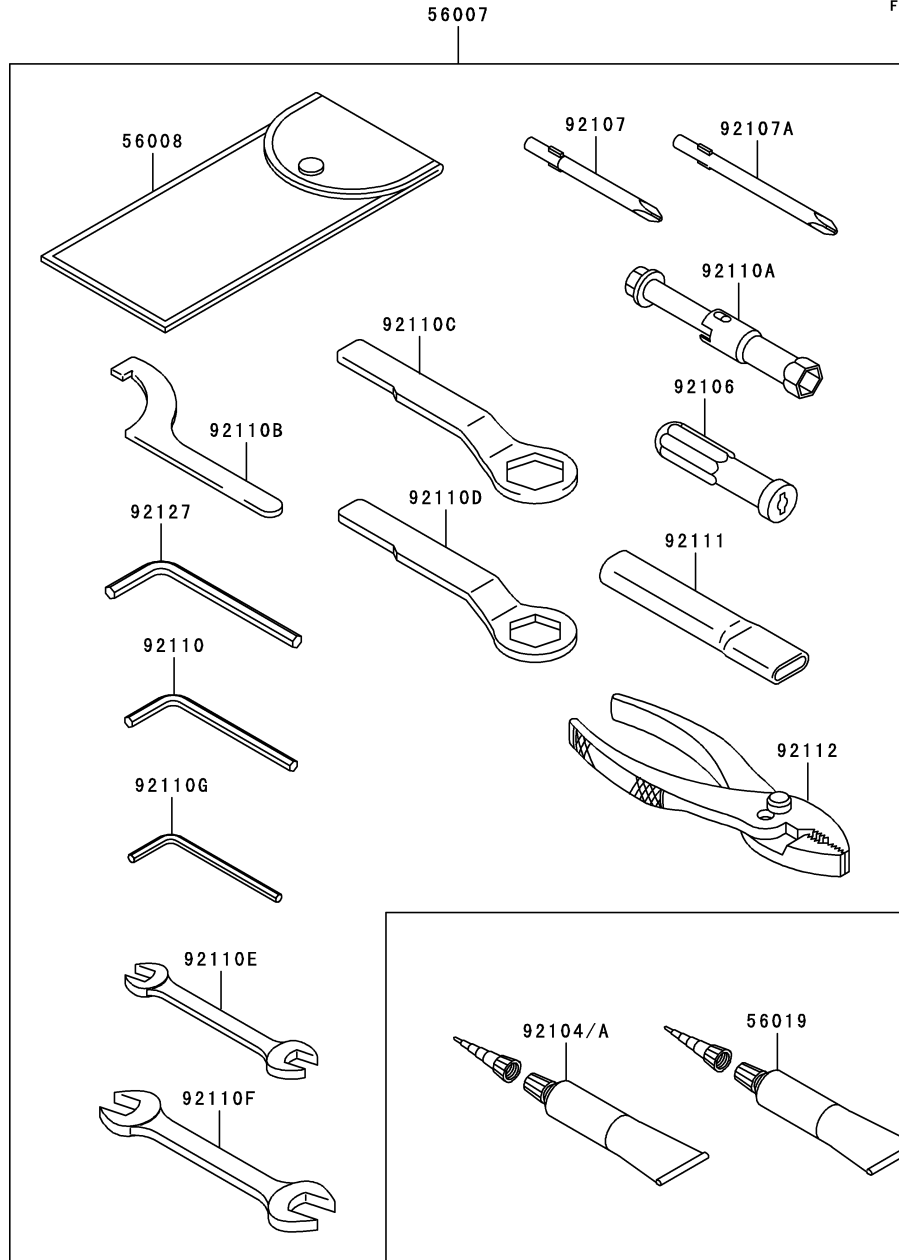
GRID NO.

G-11

This grid covers:

Owner's Tools

F2810



Ref. No.	Part No.	Description	Spec Code	Quantity-EX650			
				'06	'07	'08	
				A6F	A7F	A8F	
56007	56007-0026	TOOL-KIT	1	1	1		
56008	56008-1075	BAG, TOOL	1	1	1		
56019	56019-120	THREE BOND TB1211, HT/RS, WHITE	1	1	1		
92104	92104-0004	GASKET-LIQUID, TB1211F	1	1	1		
92104A	92104-1064	GASKET-LIQUID, BLACK TB1216B	1	1	1		
92106	92106-1001	GRIP-SCREW DRIVER	1	1	1		
92107	92107-005	TOOL-DRIVER, #3 PHILLIPS	1	1	1		
92107A	92107-1053	TOOL-DRIVER, #2 PHILLIPS	1	1	1		
92110	92110-1015	TOOL-WRENCH, ALLEN, 5MM	1	1	1		
92110A	92110-1132	TOOL-WRENCH, BOX, 16MM	1	1	1		
92110B	92110-1144	TOOL-WRENCH, HOOK	1	1	1		
92110C	92110-1147	TOOL-WRENCH, BOX END, 27MM	1	1	1		
92110D	92110-1148	TOOL-WRENCH, BOX END, 22MM	1	1	1		
92110E	92110-1152	TOOL-WRENCH, OPEN END, 10X12	1	1	1		
92110F	92110-1153	TOOL-WRENCH, OPEN END, 14X17	1	1	1		
92110G	92110-3703	TOOL-WRENCH, ALLEN, 4MM	1	1	1		
92111	92111-1051	TOOL-BAR, BOX END WRENCH	1	1	1		
92112	92112-1001	TOOL-PLIERS	1	1	1		
92127	92127-003	TOOL-WRENCH, ALLEN, 6MM	1	1	1		

This catalog covers:

'06~'08 EX650 A6F/A7F/A8F Chassis

GRID NO.

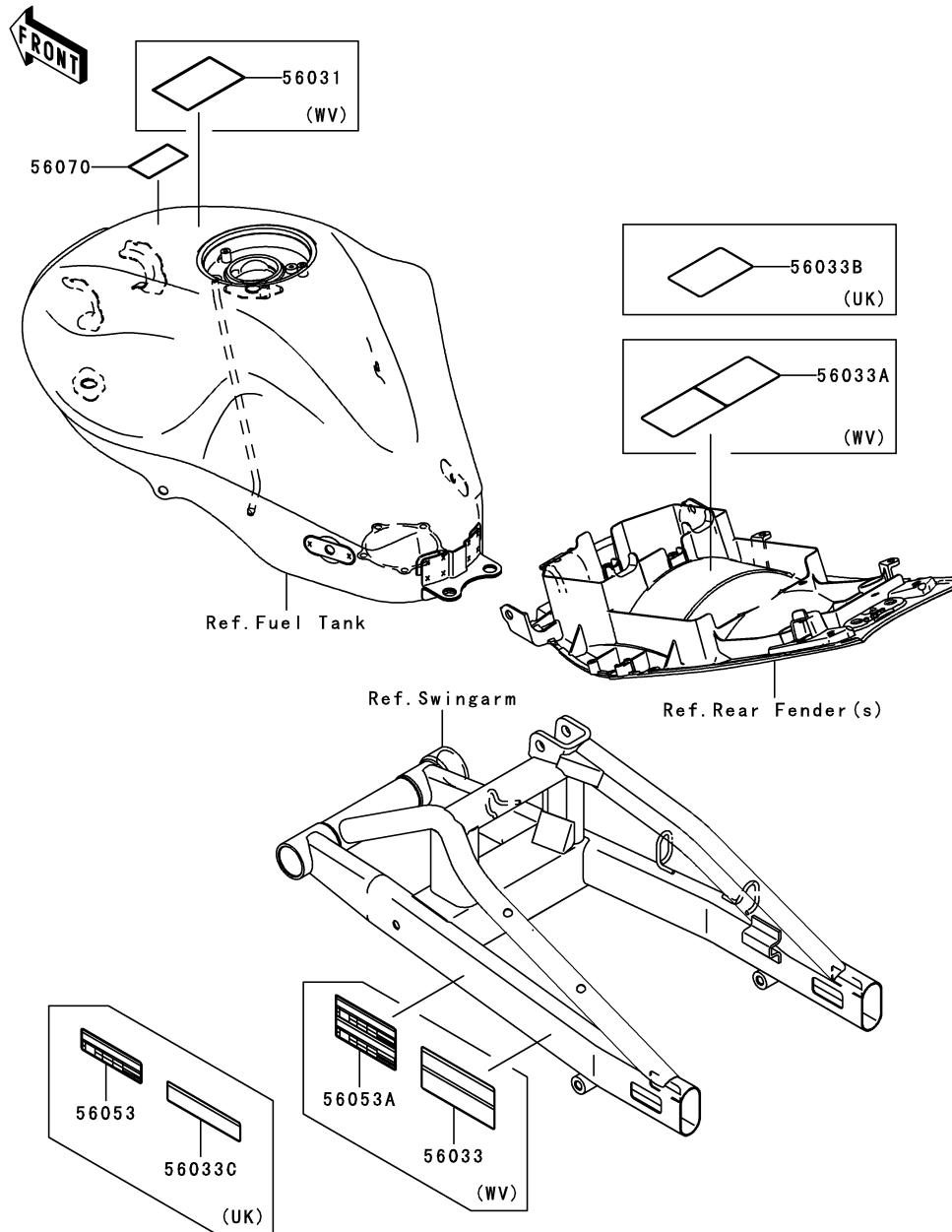
G-12

This grid covers:

Labels

F2860

Ref. No.	Part No.	Description	Spec Code	Quantity-EX650			
				'06	'07	'08	
				A6F	A7F	A8F	
56031	56031-1441	LABEL-MANUAL,ENGLISH/FRENCH					
	L-----		WV	1	1	1	
56033	56033-0090	LABEL-MANUAL,CHAIN					
	L-----		WV	1	1	1	
56033A	56033-0095	LABEL-MANUAL,DAILY SAFETY					
	L-----		WV	1	1	1	
56033B	56033-0097	LABEL-MANUAL,DAILY SAFETY					
	L-----		UK	1	1	1	
56033C	56033-0118	LABEL-MANUAL,CHAIN					
	L-----		UK	1	1	1	
56053	56053-0149	LABEL-SPECIFICATION,TIRE&LOAD					
	L-----		UK	1	1	1	
56053A	56053-0150	LABEL-SPECIFICATION,TIRE&LOAD					
	L-----		WV	1	1	1	
56070	56070-1143	LABEL,UNLEADED PETROL ONLY					
				1	1	1	



This catalog covers:

'06~'08 EX650 A6F/A7F/A8F Chassis

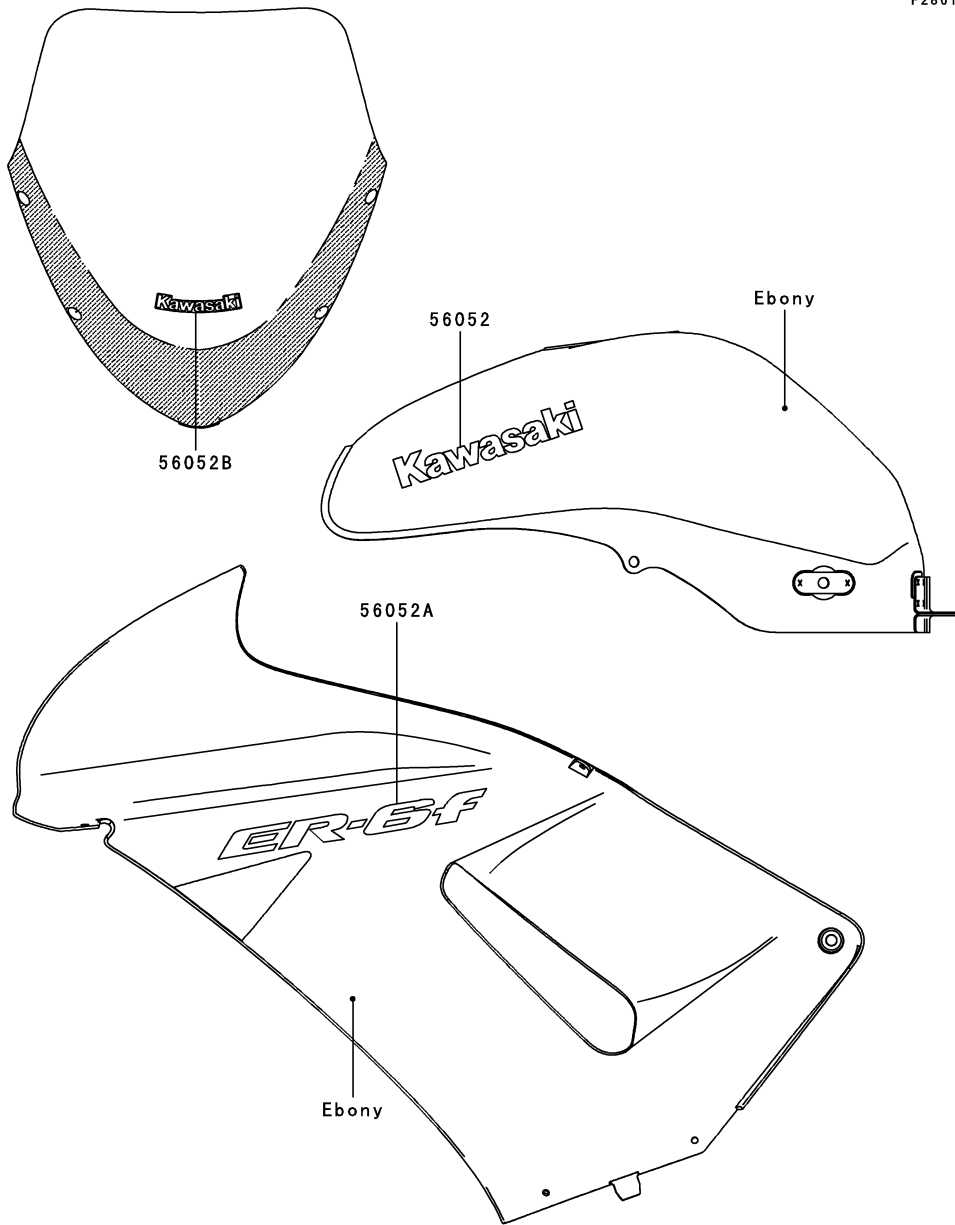
GRID NO.

G-13

This grid covers:

Decals(Ebony)(A6F)

F2861



Ref. No.	Part No.	Description	Spec Code	Quantity-EX650			
				'06	'07	'08	
56052	56052-0785	MARK,FUEL TANK,KAWASAKI					2
56052A	56052-0814	MARK,CNT COWLING,ER-6F					2
56052B	56052-0819	MARK,WINDSHIELD					1

This catalog covers:

'06~'08 EX650 A6F/A7F/A8F Chassis

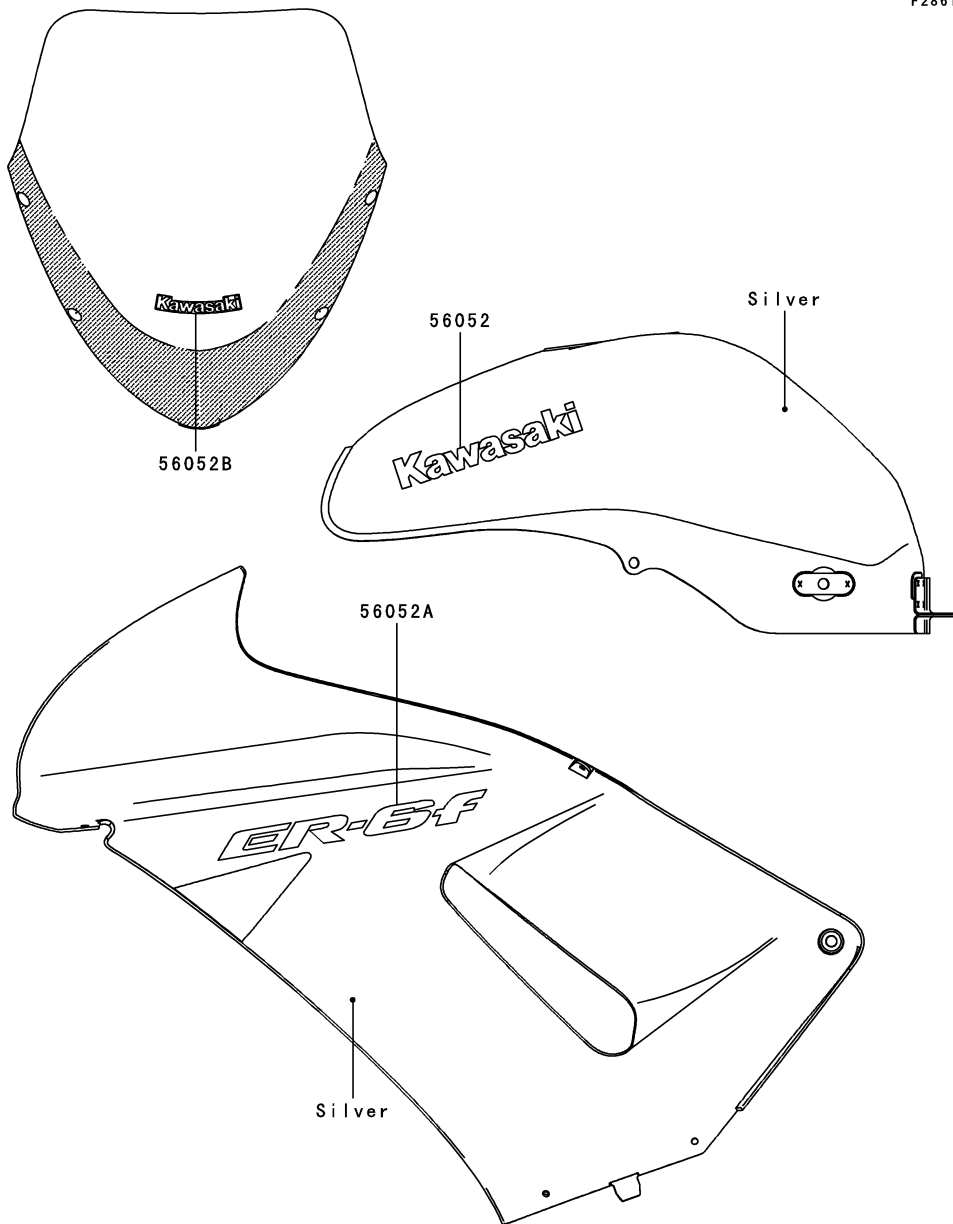
GRID NO.

G-14

This grid covers:

Decals(Silver)(A6F)

F2861A



Ref. No.	Part No.	Description	Spec Code	Quantity-EX650			
				'06	'07	'08	
56052	56052-0788	MARK,FUEL TANK,KAWASAKI					2
56052A	56052-0813	MARK,CNT COWLING,ER-6F					2
56052B	56052-0819	MARK,WINDSHIELD					1

This catalog covers:

'06~'08 EX650 A6F/A7F/A8F Chassis

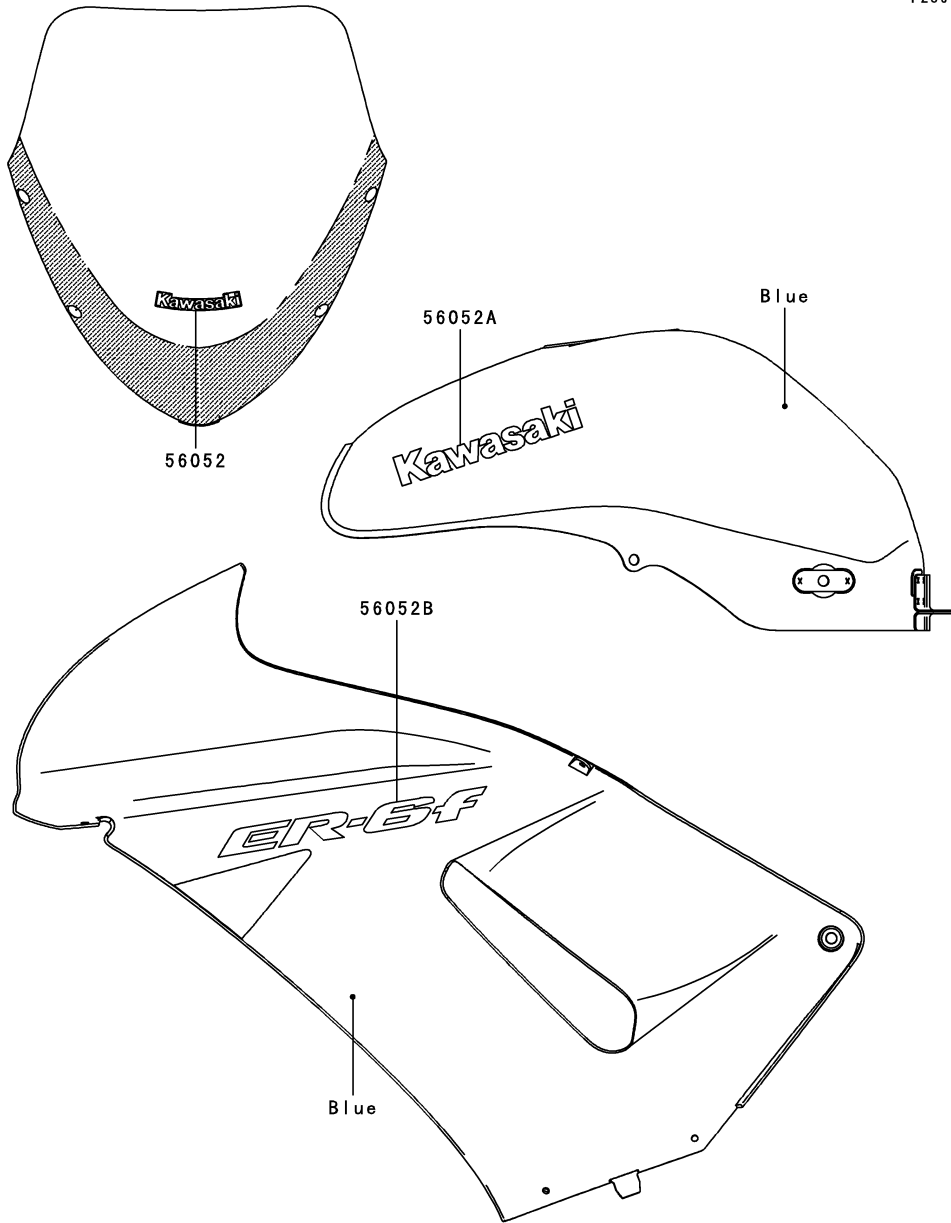
GRID NO.

H-3

This grid covers:

Decals(Blue)(A7F)

F2861B



Ref. No.	Part No.	Description	Spec Code	Quantity-EX650			
				'06	'07	'08	
56052	56052-0819	MARK,WINDSHIELD				1	
56052A	56052-0993	MARK,FUEL TANK,KAWASAKI				2	
56052B	56052-0994	MARK,CNT COWLING,ER-6F				2	

This catalog covers:

'06~'08 EX650 A6F/A7F/A8F Chassis

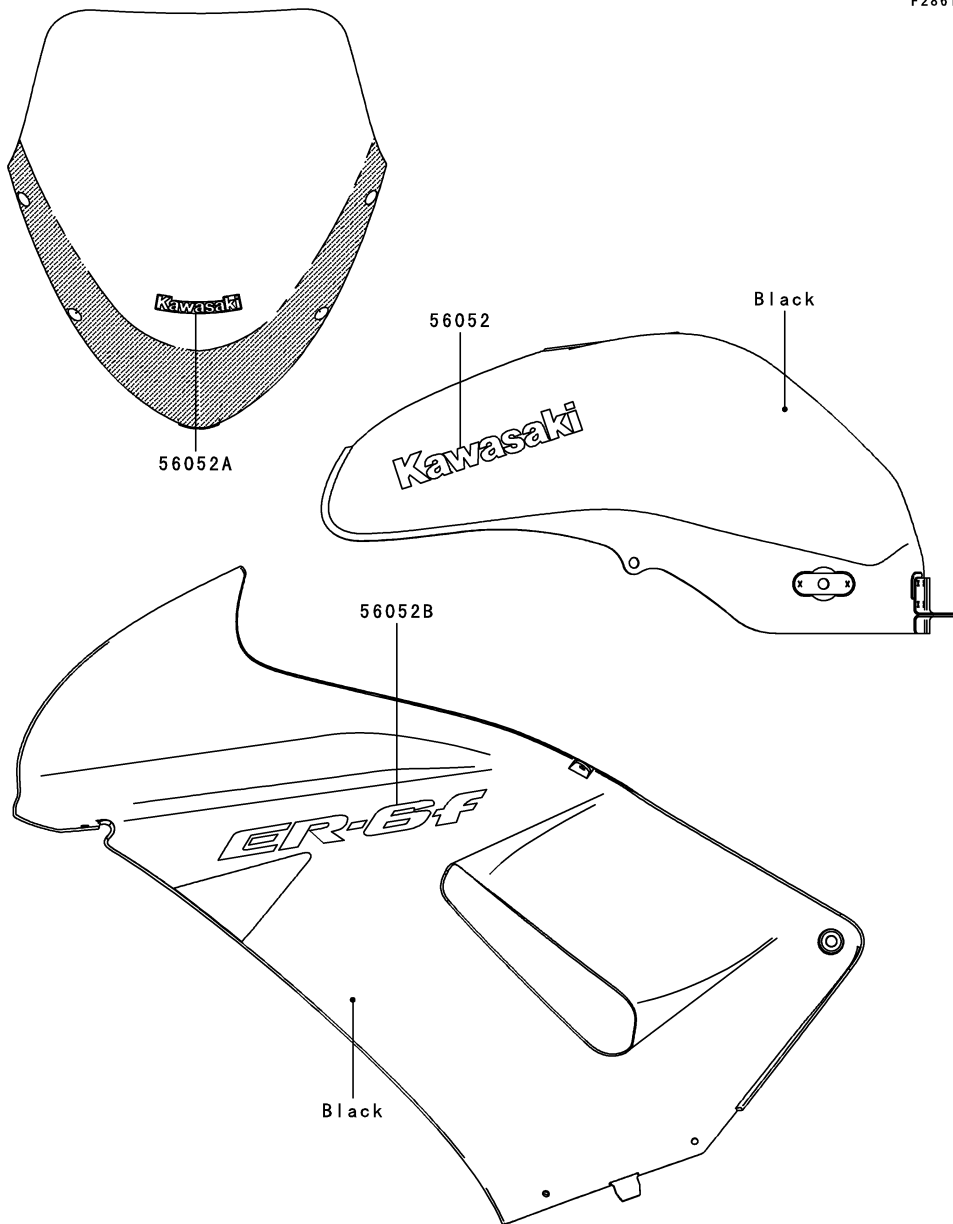
GRID NO.

H-4

This grid covers:

Decals(Black)(A7F)

F28610



Ref. No.	Part No.	Description	Spec Code	Quantity-EX650			
				'06	'07	'08	
				A6F	A7F	A8F	
56052	56052-0785	MARK,FUEL TANK,KAWASAKI				2	
56052A	56052-0819	MARK,WINDSHIELD				1	
56052B	56052-0988	MARK,CNT COWLING,ER-6F				2	

This catalog covers:

'06~'08 EX650 A6F/A7F/A8F Chassis

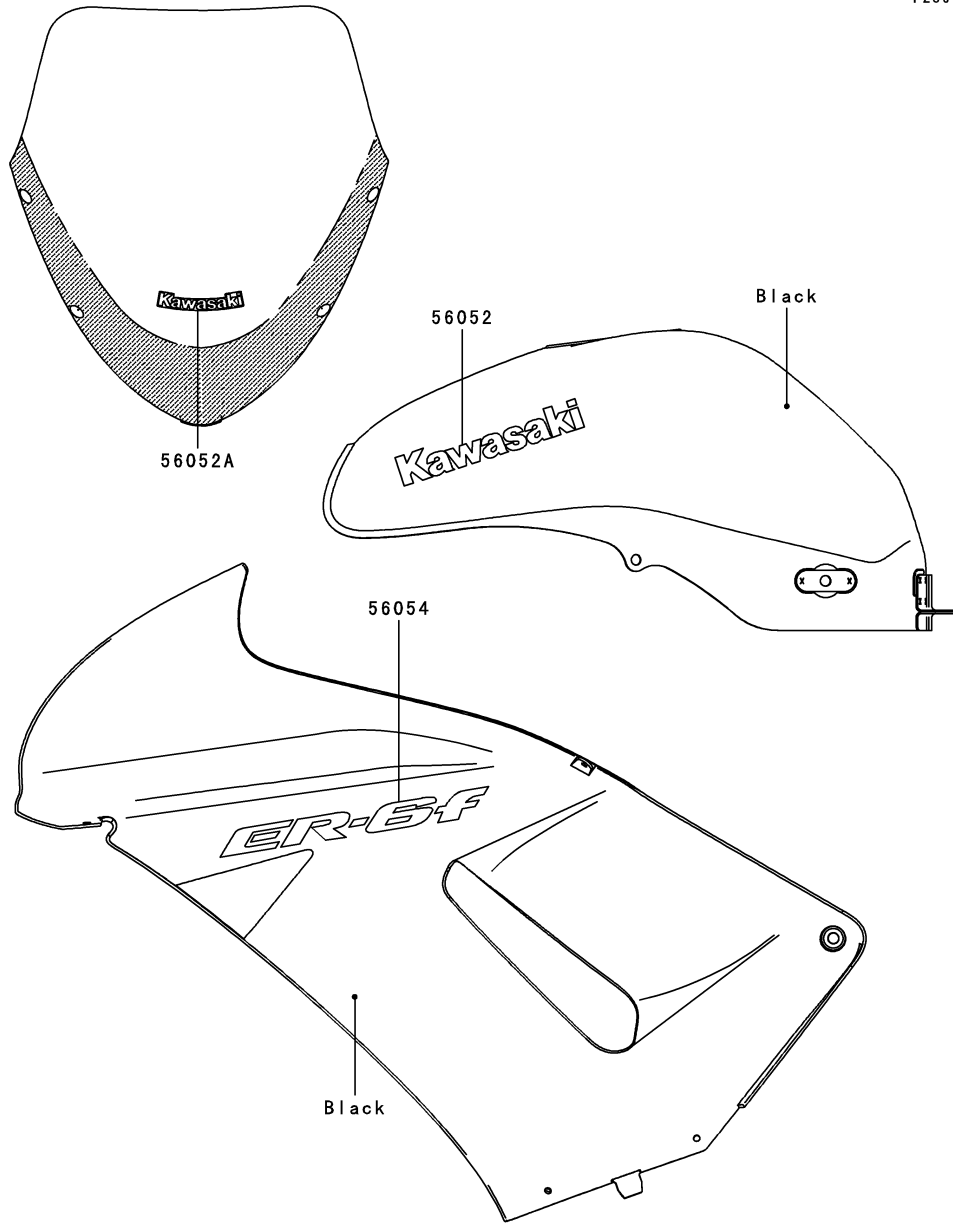
GRID NO.

H-5

This grid covers:

Decals(Black)(A8F)

F2861D



Ref. No.	Part No.	Description	Spec Code	Quantity-EX650			
				'06	'07	'08	
56052	56052-0785	MARK,FUEL TANK,KAWASAKI				2	
56052A	56052-0819	MARK,WINDSHIELD				1	
56054	56054-0112	MARK,CNT COWLING,ER-6F				2	

This catalog covers:

'06~'08 EX650 A6F/A7F/A8F Chassis

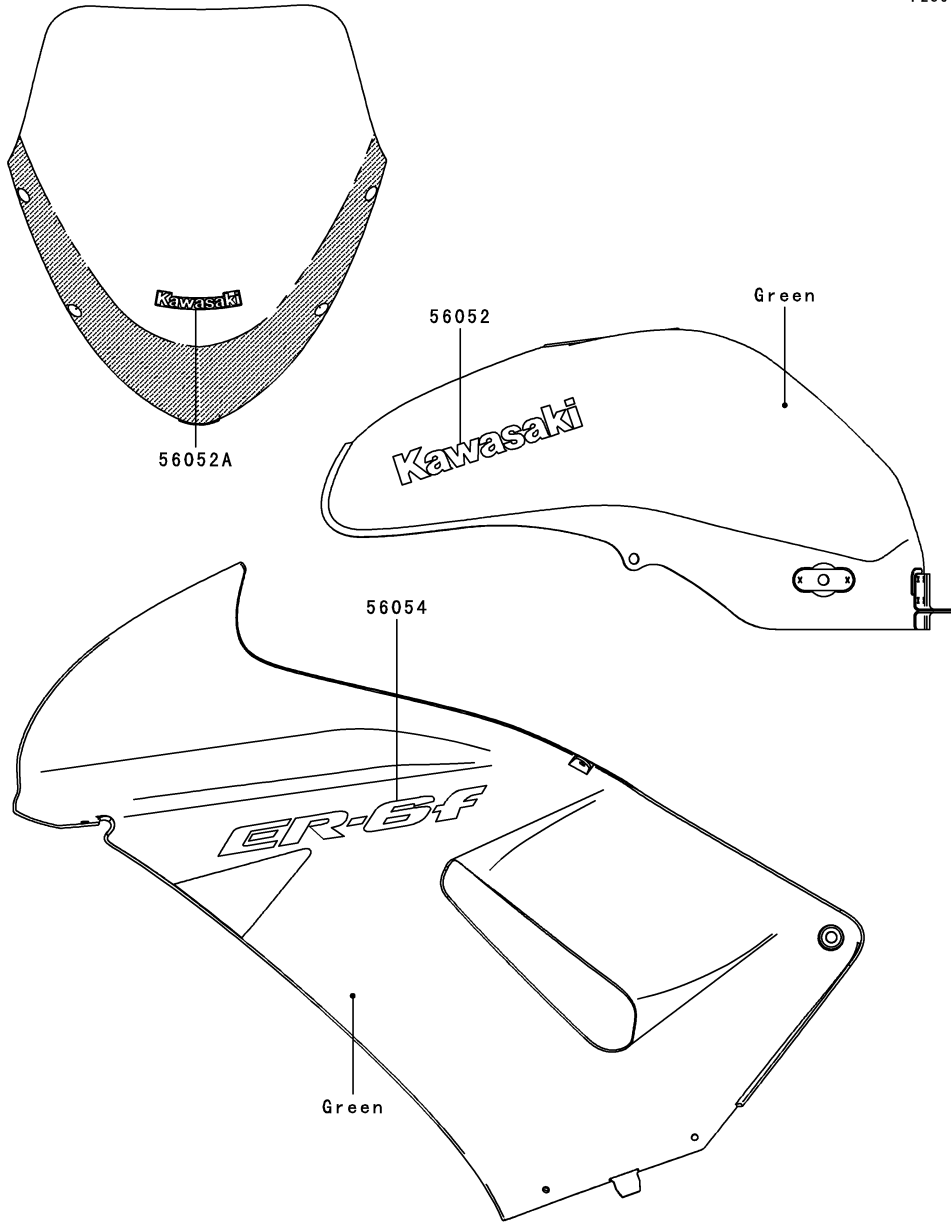
GRID NO.

H-6

This grid covers:

Decals(Green)(A8F)

F2861E



Ref. No.	Part No.	Description	Spec Code	Quantity-EX650			
				'06	'07	'08	
56052	56052-0782	MARK,FUEL TANK,KAWASAKI				2	
56052A	56052-0819	MARK,WINDSHIELD				1	
56054	56054-0111	MARK,CNT COWLING,ER-6F				2	

This catalog covers:

'06~'08 EX650 A6F/A7F/A8F Chassis

GRID NO.

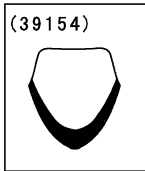
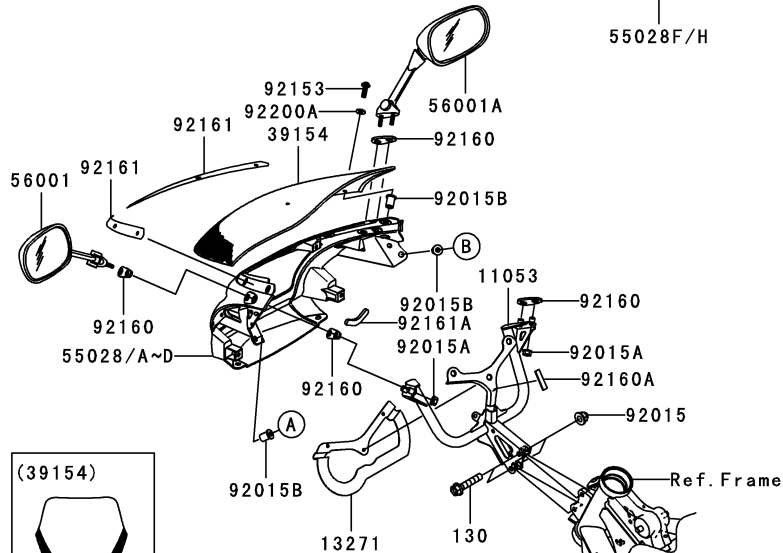
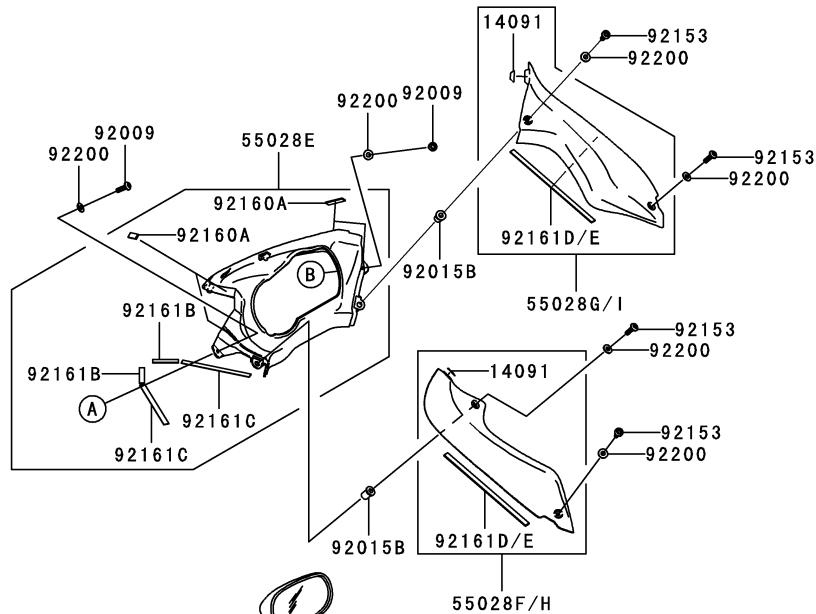
H-7

This grid covers:

Cowling(Upper)

F2871

Ref. No.	Part No.	Description	Spec Code	Quantity-EX650		
				'06	'07	'08
				A6F	A7F	A8F
11053	11053-1883	BRACKET,MIRROR&METER	1	1	1	
13271	13271-0761	PLATE,UPP COWLING	1	1	1	
14091	14091-0606	COVER	2	2	2	
39154	39154-0015	WINDSHIELD	1	1	1	
55028	55028-0113-H8	COWLING,UPP,EBONY	1			
55028A	55028-0113-17K	COWLING,UPP,M.BLACK		1	1	
55028B	55028-0113-18T	COWLING,UPP,BLACK			1	
55028C	55028-0113-474	COWLING,UPP,G.SILVER	1			
55028D	55028-0113-723	COWLING,UPP,C.P.BLUE		1		
55028E	55028-0121	COWLING,INNER,CNT	1	1	1	
55028F	55028-0122	COWLING,INNER,LH	1			
55028G	55028-0123	COWLING,INNER,RH	1			
55028H	55028-0157	COWLING,INNER,LH		1	1	
55028I	55028-0158	COWLING,INNER,RH		1	1	
56001	56001-0043	MIRROR-ASSY,LH	1	1	1	
56001A	56001-0044	MIRROR-ASSY,RH	1	1	1	
92009	92009-1909	SCREW,5X16	2	2	2	
92015	92015-1174	NUT,CAP,8MM,BLACK	2	2	2	
92015A	92015-1386	NUT,6MM	4	4	4	
92015B	92015-1757	NUT,WELL,5MM	8	8	8	
92153	92153-1244	BOLT,SOCKET,5X16	8	8	8	
92160	92160-1089	DAMPER,MIRROR	4	4	4	
92160A	92160-1099	DAMPER	5	5	5	
92161	92161-0376	DAMPER,UPP COWLING	2	2	2	
92161A	92161-0401	DAMPER,UPP COWLING	1	1	1	
92161B	92161-0402	DAMPER,INNER COWLING,CNT	2	2	2	
92161C	92161-0403	DAMPER,INNER COWLING,CNT	2	2	2	
92161D	92161-0404	DAMPER,INNER COWLING	2			
92161E	92161-0435	DAMPER,INNER COWLING		2	2	
92200	92200-0006	WASHER,NYLON,5.3X11.5X0.5	6	6	6	
92200A	92200-1011	WASHER,NYLON,5.2X12X1	4	4	4	
130	130L0830	BOLT-FLANGED,8X30	2	2	2	



WOD

This catalog covers:

'06~'08 EX650 A6F/A7F/A8F Chassis

GRID NO.

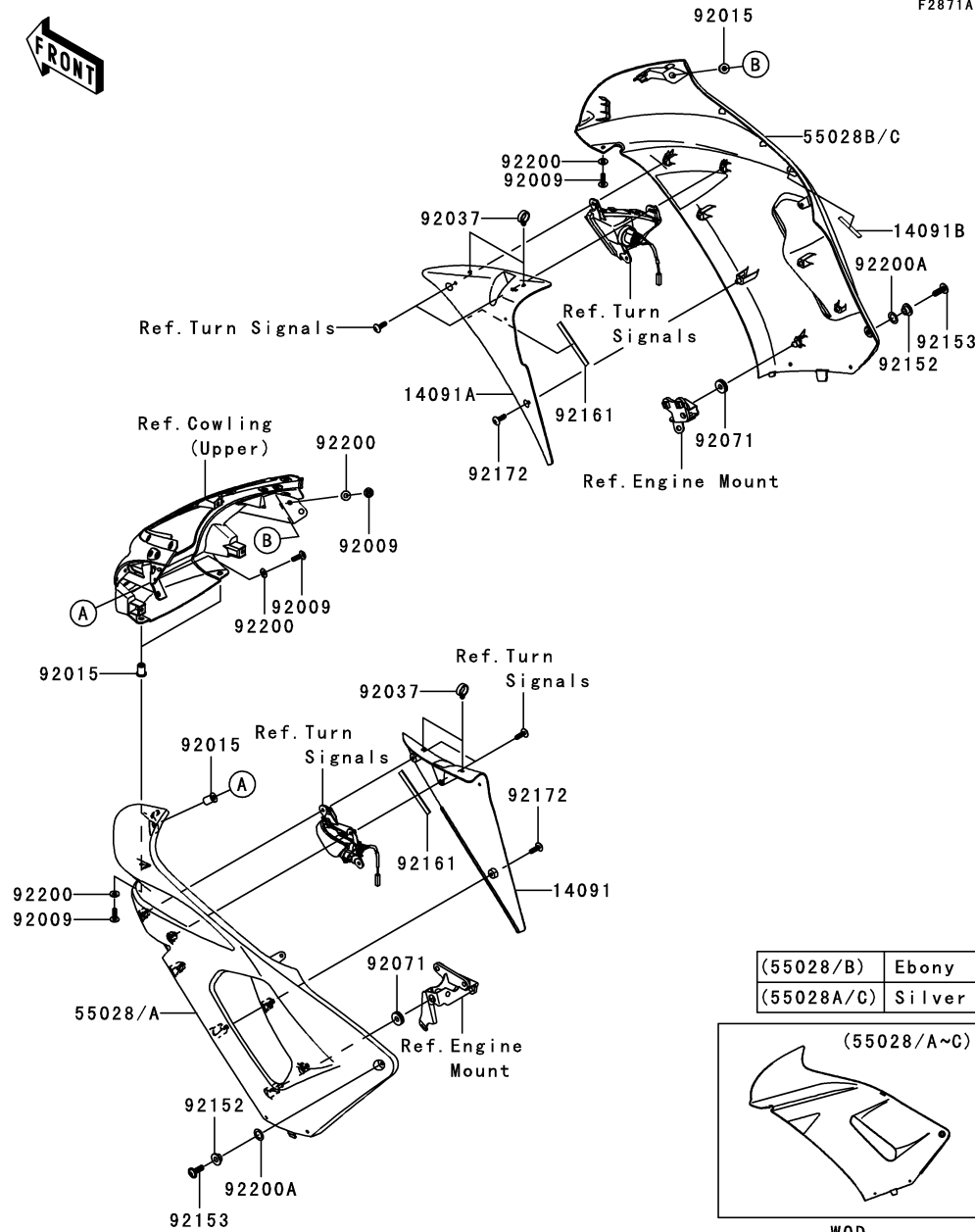
H-8

This grid covers:

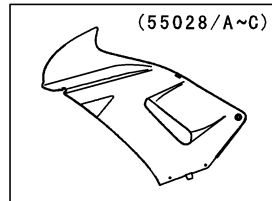
Cowling(Center)(A6F)



F2871A



(55028/B)	Ebony
(55028A/C)	Silver



Ref. No.	Part No.	Description	Spec Code	Quantity-EX650			
				'06	'07	'08	
				A6F	A7F	A8F	
14091	14091-0596	COVER,CNT COWLING,INNER,LH				1	
14091A	14091-0597	COVER,CNT COWLING,INNER,RH				1	
14091B	14091-0607	COVER				1	
55028	55028-0116-H8	COWLING,CNT,LH,EBONY				1	
55028A	55028-0116-474	COWLING,CNT,LH,G.SILVER				1	
55028B	55028-0117-H8	COWLING,CNT,RH,EBONY				1	
55028C	55028-0117-474	COWLING,CNT,RH,G.SILVER				1	
92009	92009-1909	SCREW,5X16				4	
92015	92015-1757	NUT,WELL,5MM				4	
92037	92037-1827	CLAMP,HOSE				4	
92071	92071-056	GROMMET				2	
92152	92152-0422	COLLAR				2	
92153	92153-0478	BOLT,6X18				2	
92161	92161-1315	DAMPER				2	
92172	92172-0175	SCREW,TAPPING,5X16				2	
92200	92200-0006	WASHER,NYLONE,5.3X11.5X0.5				4	
92200A	92200-0157	WASHER,10.4X15.9X0.5				2	

This catalog covers:

'06~'08 EX650 A6F/A7F/A8F Chassis

GRID NO.

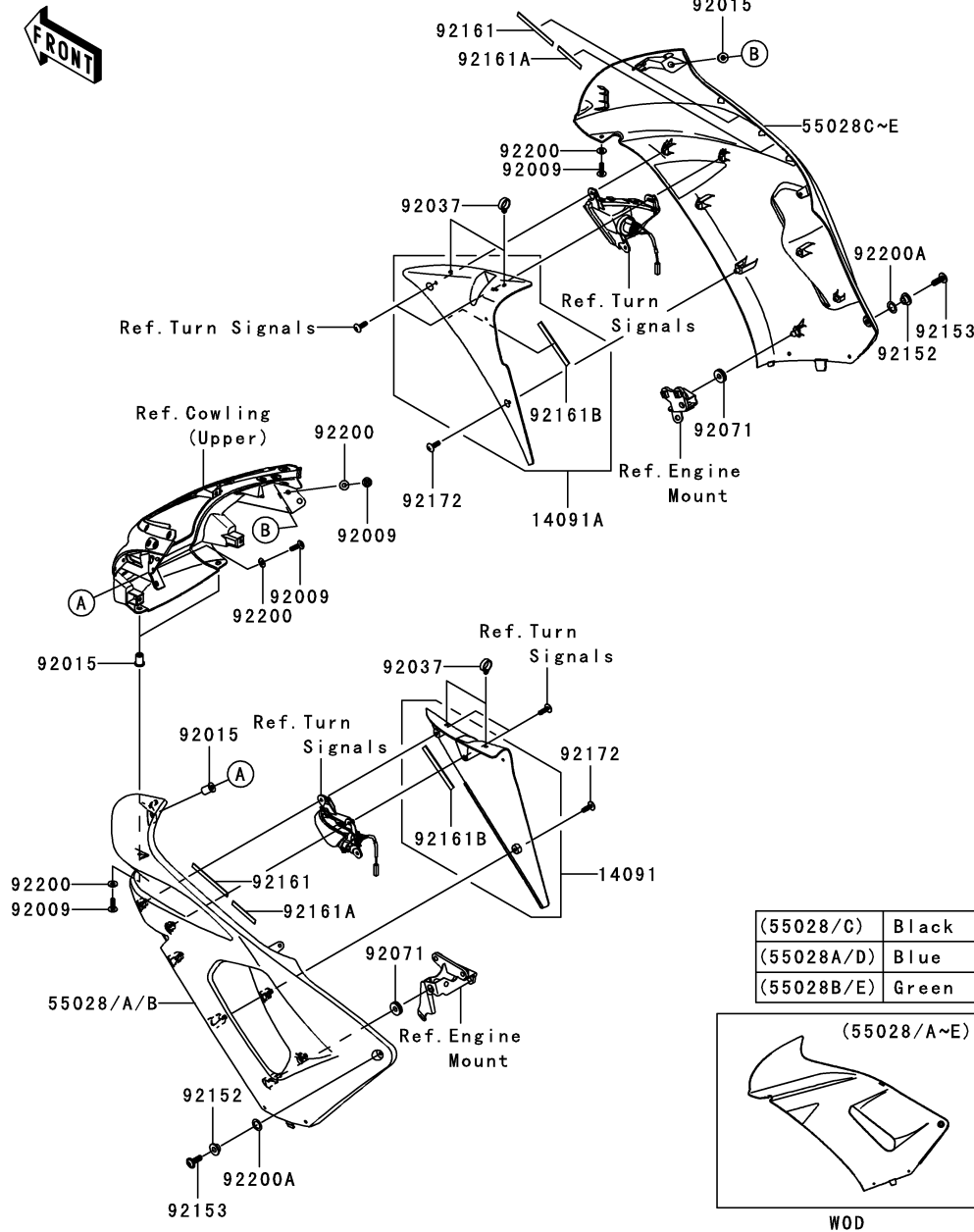
H-9

This grid covers:

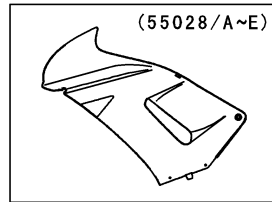
Cowling(Center)(A7F/A8F)

F2871B

Ref. No.	Part No.	Description	Spec Code	Quantity-EX650			
				'06	'07	'08	
				A6F	A7F	A8F	
14091	14091-0655	COVER,CNT COWLING,INNER,LH		1	1		
14091A	14091-0656	COVER,CNT COWLING,INNER,RH		1	1		
55028	55028-0116-17K	COWLING,CNT,LH,M.BLACK		1	1		
55028A	55028-0116-723	COWLING,CNT,LH,C.P.BLUE		1			
55028B	55028-0116-777	COWLING,CNT,LH,L.GREEN			1		
55028C	55028-0117-17K	COWLING,CNT,RH,M.BLACK		1	1		
55028D	55028-0117-723	COWLING,CNT,RH,C.P.BLUE		1			
55028E	55028-0117-777	COWLING,CNT,RH,L.GREEN			1		
92009	92009-1909	SCREW,5X16		4	4		
92015	92015-1757	NUT,WELL,5MM		4	4		
92037	92037-1827	CLAMP,HOSE		4	4		
92071	92071-056	GROMMET		2	2		
92152	92152-0422	COLLAR		2	2		
92153	92153-0478	BOLT,6X18		2	2		
92161	92161-0445	DAMPER		2	2		
92161A	92161-0446	DAMPER		2	2		
92161B	92161-1315	DAMPER		2	2		
92172	92172-0175	SCREW,TAPPING,5X16		2	2		
92200	92200-0006	WASHER,NYLONE,5.3X11.5X0.5		4	4		
92200A	92200-0157	WASHER,10.4X15.9X0.5		2	2		



(55028/C)	Black
(55028A/D)	Blue
(55028B/E)	Green



WOD

This catalog covers:

'06~'08 EX650 A6F/A7F/A8F Chassis

GRID NO.

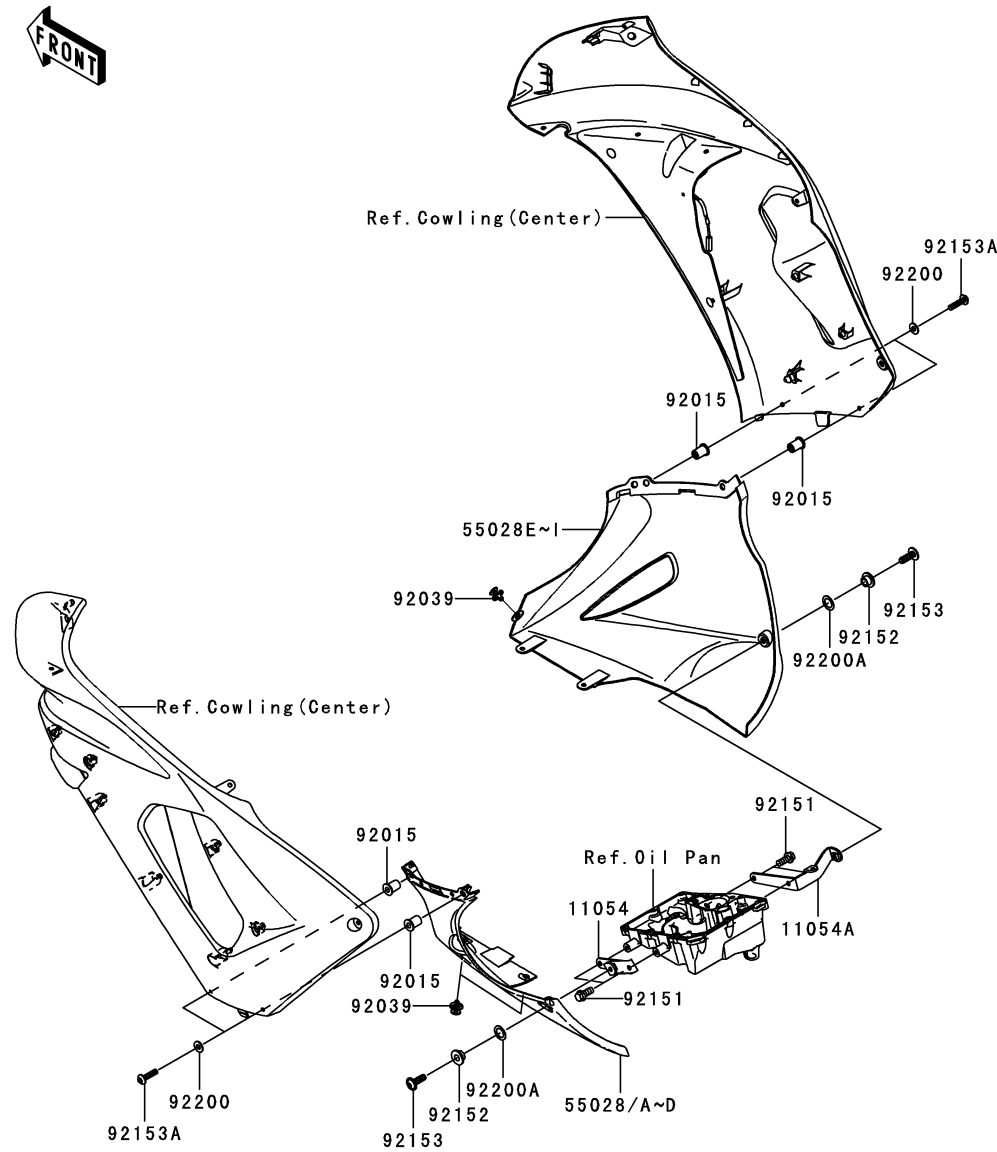
H-10

This grid covers:

Cowling Lower

F2872

Ref. No.	Part No.	Description	Spec Code	Quantity-EX650		
				'06	'07	'08
				A6F	A7F	A8F
11054	11054-0330	BRACKET,LWR COWLING,LWR,LH	1	1	1	
11054A	11054-0331	BRACKET,LWR COWLING,LWR,RH	1	1	1	
55028	55028-0119-H8	COWLING,LWR,LH,EBONY	1			
55028A	55028-0119-17K	COWLING,LWR,LH,M.BLACK		1	1	
55028B	55028-0119-18T	COWLING,LWR,LH,BLACK			1	
55028C	55028-0119-474	COWLING,LWR,LH,G.SILVER	1			
55028D	55028-0119-723	COWLING,LWR,LH,C.P.BLUE		1		
55028E	55028-0120-H8	COWLING,LWR,RH,EBONY	1			
55028F	55028-0120-17K	COWLING,LWR,RH,M.BLACK		1	1	
55028G	55028-0120-18T	COWLING,LWR,RH,BLACK			1	
55028H	55028-0120-474	COWLING,LWR,RH,G.SILVER	1			
55028I	55028-0120-723	COWLING,LWR,RH,C.P.BLUE		1		
92015	92015-1757	NUT,WELL,5MM	4	4	4	
92039	92039-0014	RIVET	3	3	3	
92151	92151-1755	BOLT,FLANGED,6X14	4	4	4	
92152	92152-0422	COLLAR	2	2	2	
92153	92153-0478	BOLT,6X18	2	2	2	
92153A	92153-0873	BOLT,SOCKET,5X20	4	4	4	
92200	92200-0006	WASHER,NYLONE,5.3X11.5X0.5	4	4	4	
92200A	92200-0157	WASHER,10.4X15.9X0.5	2	2	2	



This catalog covers:

'06~'08 EX650 A6F/A7F/A8F Chassis

GRID NO.

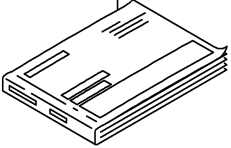
H-11

This grid covers:

Manual

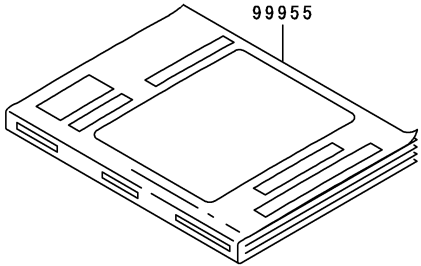
F2920

Owner's Manual
(Local Procurement)



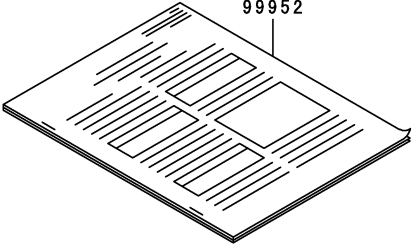
Ref. No.	Language
(99976/A)	English
	French
	German
(99976B)	Italian
	English
	French
(99976C)	German
	Italian
	Spanish
(99986/A/B)	Dutch
	English

Service Manual



Ref. No.	Language
(99924)	English
(99953)	German
(99954)	French
(99955)	Italian

A&P Manual



Ref. No.	Language
(99931)	English
(99946)	German
(99950)	French
(99951)	Italian
(99952)	Spanish

Ref. No.	Part No.	Description	Spec Code	Quantity-EX650				
				'06	'07	'08		
				A6F	A7F	A8F		
99924	99924-1361-01	SERVICE MANUAL,ENGLISH	1	1	1			
99931	99931-1462-02	A&P MANUAL,ENGLISH	1	1	1			
99946	99946-1034-02	A&P MANUAL,GERMAN	1	1	1			
99950	99950-1039-02	A&P MANUAL,FRENCH	1	1	1			
99951	99951-1025-02	A&P MANUAL,ITALIAN	1	1	1			
99952	99952-1009-02	A&P MANUAL,SPANISH	1	1	1			
99953	99953-1031-01	SERVICE MANUAL,GERMAN	1	1	1			
99954	99954-1040-01	SERVICE MANUAL,FRENCH	1	1	1			
99955	99955-1023-01	SERVICE MANUAL,ITALIAN	1	1	1			
99976	99976-1250	OWNER'S MANUAL,MULTI	1					
99976A	99976-1331	OWNER'S MANUAL,MULTI		1				
99976B	99976-1403	OWNER'S MANUAL,EN/FR/DE				1		
99976C	99976-1404	OWNER'S MANUAL,IT/ES/NL				1		
99986	99986-1293	OWNER'S MANUAL,ENGLISH	1					
99986A	99986-1386	OWNER'S MANUAL,ENGLISH		1				
99986B	99986-1432	OWNER'S MANUAL,ENGLISH				1		

This catalog covers:

'06~'08 EX650 A6F/A7F/A8F

GRID NO.

This grid covers:

L-12

Numerical Parts Index

Part No.	Grid No.	Part No.	Grid No.	Part No.	Grid No.	Part No.	Grid No.	Part No.	Grid No.	Part No.	Grid No.
11004-0035	B-3	11065-0018	C-12	13091-1652	F-9	13262-0253	B-13	14043-0008	C-11	21007-0053	D-5
11004-0064	B-3	11065-0111	B-4	13095-0059	B-12	13262-0335	B-13	14055-0018	C-4	21007-0075	D-4
11005-0081	B-5	11065-0120	B-6	13095-0066	B-12	13262-0337	B-13	14055-0018	C-6	21007-5057	G-10
11008-0089	B-3	11065-0121-11E	E-7	130G0512	D-5	13262-0338	B-13	14073-0110	B-6	21025-011	D-6
11009-1145	D-10	11065-0121-18R	E-7	130G0620	C-10	13262-0346	B-13	14079-0017	B-6	21039-0004	D-7
11009-1325	F-10	11065-0121-458	E-7	130H0830	D-9	13262-0447	B-13	14091-0367	F-14	21039-1060	D-6
11009-1856	B-7	11065-0121-793	E-7	130J0525	C-14	13262-0498	B-13	14091-0445	C-10	21040-0003	D-7
11010-0108	B-6	11065-0121-796	E-7	130J0618	E-11	13271-0574	D-4	14091-0461-6Z	E-9	21040-1055	D-6
11012-1084	D-10	11065-0125-10C	E-5	130J0620	D-4	13271-0575	C-4	14091-0461-837	E-9	21066-1127	D-4
11012-1717-10C	E-5	11065-0125-10C	E-6	130J0625	G-7	13271-0575	C-6	14091-0462-6Z	E-9	21163-0027	D-6
11012-1717-10C	E-6	11065-0125-10M	E-5	130L0610	E-5	13271-0577	C-4	14091-0462-837	E-9	21163-0040	D-7
11012-1717-10M	E-5	11065-0125-10N	E-5	130L0610	E-6	13271-0577	C-6	14091-0488	E-11	21171-1286	D-5
11012-1717-10N	E-5	11065-0125-11J	E-5	130L0612	F-5	13271-0584	C-4	14091-0550	B-4	21175-0077	C-14
11012-1717-11J	E-5	11065-0125-11J	E-6	130L0612	G-10	13271-0584	C-6	14091-0596	H-8	21176-0009	C-14
11012-1717-11J	E-6	11065-0125-18T	E-6	130L0614	G-9	13271-0626	B-14	14091-0597	H-8	21176-0035	C-14
11012-1717-18T	E-6	11065-0150	C-10	130L0625	F-12	13271-0761	H-7	14091-0606	H-7	21176-0048	C-14
11029-0008	B-6	11065-0182	C-10	130L0830	H-7	13271-0952	D-4	14091-0607	H-8	21176-0058	C-14
11051-1503	G-7	112C0640	F-9	130S0825	G-5	13271-1187	C-4	14091-0655	H-9	21176-0065	C-10
11053-1739	C-10	12004-0015	B-8	130V0610	G-9	13271-1187	C-6	14091-0656	H-9	21176-0067	C-14
11053-1812	F-12	12005-0035	B-8	130W0822	G-5	13280-0134	C-11	14091-0789-6Z	E-9	220C0525	F-9
11053-1883	H-7	12009-1091	B-8	130Z0835	B-7	13280-0137	B-14	14091-0885	E-10	220C0540	F-9
11053-1931	E-5	12011-1053	B-8	13102-0021	B-12	13280-0171	C-4	16007-1228	B-8	224C0408	G-8
11053-1931	E-6	12021-1130	B-4	13107-0093	D-3	13280-0171	C-6	16065-0024	B-3	23007-0056	G-6
11054-0133	C-14	12032-0009	B-8	13107-1106	D-6	13280-0183	B-14	16073-3707	C-12	23007-0058	G-6
11054-0238	B-4	12046-0040	D-3	13107-1106	D-7	13280-0192	B-14	16085-0074	D-6	23007-0063	G-8
11054-0248	E-5	12046-0041	B-9	13116-0018	B-12	13280-0248	F-9	16085-0074	D-7	23007-0064	G-8
11054-0248	E-6	12048-0027	B-9	13127-0028	B-13	13280-1263	D-6	16085-0076	D-6	23008-0042	G-7
11054-0253	E-11	12053-0051	B-9	13128-0020	B-13	13280-1263	D-7	16085-0076	D-7	23008-0044	G-8
11054-0330	H-10	12053-0059	B-9	13140-0025	B-14	132G0618	B-4	16097-0004	D-3	23008-1686	G-6
11054-0331	H-10	12053-0071	D-3	13140-0026	B-14	132J0612	B-4	16115-1053	C-10	23016-0003	G-7
11054-0347	E-5	12053-0075	B-9	13141-0018	B-14	132J0622	E-6	16126-0019	B-6	23017-1067	G-6
11054-0347	E-6	120P0818	D-4	13144-0024	B-13	132J0625	G-6	16126-1140	E-13	23025-0018	G-7
11054-0406	G-10	120S0510	D-6	13145-0020	B-14	132J0630	C-10	16130-1058	D-3	23026-1064	G-7
11054-0429	C-12	120S0510	D-7	13151-1080	C-10	132L0610	E-5	16142-0024	D-3	23035-1066	G-7
11054-0523	E-5	120S0512	G-10	13156-0072	C-3	132L0610	E-6	16142-0025	D-8	23037-0077	G-8
11054-0523	E-6	120S0620	F-9	13159-1056	F-7	132L0822	E-4	16142-0047	D-8	23037-0078	G-8
11054-0869	B-4	120Z0630	B-3	13187-1006	B-12	13320-0010	C-3	16154-0037	D-3	23040-0059	G-8
11054-1283	E-6	120Z0630	B-5	13194-1083	D-6	14001-0075	C-4	16154-1115	D-3	23040-0060	G-8
11054-1284	E-6	13001-0060	B-5	13194-1083	D-7	14001-0104	C-6	16160-0083	D-3	25023-0009	F-14
11061-0029	F-6	13001-0087	B-5	13227-0012	D-8	14013-1004	C-4	16160-0084	D-10	25031-0088	F-14
11061-0105	B-4	13002-0007	B-5	13234-0024	B-11	14013-1004	C-6	16160-0110	D-3	25031-0089	F-14
11061-0107	D-8	13008-1196	B-5	13236-0094	C-3	14014-0018	B-14	16163-0084	C-12	26006-0001	G-9
11061-0164	C-10	13031-0064	B-10	13236-1337	F-5	14014-0019	B-13	16165-0001	C-4	26006-1006	D-6
11061-0165	C-10	13042-1006	F-9	13251-0010-JJ	B-10	14014-0020	B-13	16165-0001	C-6	26006-1006	D-7
11061-0166	C-10	13070-0045	F-8	13251-0010-KK	B-10	14025-1725	G-7	18091-0284	B-7	26006-1078	G-9
11061-0167	C-11	13087-042	B-12	13262-0245	B-13	14026-0021	C-10	18091-0495	B-7	26011-0073	G-9
11061-0170	B-4	13088-1105	B-12	13262-0246	B-13	14031-0058	C-10	180D0616	F-4	26011-0082	G-9
11061-0171	B-5	13089-0016	B-12	13262-0247	B-13	14031-0078	C-10	18140-0002	B-7	26011-0083	D-6
11061-0182	C-4	13089-0017	B-12	13262-0251	B-13	14032-0084	C-10	21003-0041	D-4	26011-0083	D-7
11061-0278	B-7	13091-1624	F-9	13262-0252	B-13	14032-0094	C-10	21003-0042	D-4	26011-0099	G-9

This catalog covers:

'06~'08 EX650 A6F/A7F/A8F

GRID NO.

This grid covers:

L-13

Numerical Parts Index

Part No.	Grid No.	Part No.	Grid No.	Part No.	Grid No.	Part No.	Grid No.	Part No.	Grid No.	Part No.	Grid No.
26012-0094	G-9	34028-0005	E-9	39193-0029	C-6	43034-0004	F-8	44039-0033-793	F-10	49006-1095	F-8
26031-0420	G-9	34028-0029	E-9	39193-0030	C-4	43034-1053	F-5	44039-0033-796	F-10	49006-1212	F-8
27002-0007	G-9	34028-0030	E-9	39193-0031	C-4	43044-1110	F-8	44041-040	F-10	49016-0030	D-9
27002-0010	G-9	34028-0059	E-9	39193-0031	C-6	43044-1115	F-6	44065-0014	F-10	49016-1044	F-5
27003-0044	G-9	34028-0060	E-9	39193-0032	C-4	43044-1116	F-6	44065-1115	F-10	49016-1209	G-6
27005-5130	G-10	35004-0053-17K	E-10	39193-0032	C-6	43048-1073	F-6	44071-0289-11E	F-10	49033-0011	C-12
27005-5139	G-10	35004-0053-474	E-10	39193-0033	C-4	43049-1068	F-6	44071-0289-18R	F-10	49034-0014	C-11
27008-0030	G-10	35004-0053-723	E-10	39193-0033	C-6	43049-1092	F-6	44071-0289-458	F-10	49040-0026	C-13
27010-0025	F-5	35004-0053-H8	E-10	39193-0046	C-6	43049-1097	F-8	44071-0289-793	F-10	49047-0019	B-14
27010-1094	F-9	35004-0103-17K	E-10	41009-0132	E-13	43056-1054	F-6	44071-0289-796	F-10	49047-0020	B-14
27010-1313	C-4	35004-0103-777	E-10	41009-1375	E-13	43056-1054	F-8	44071-0290-11E	F-10	49054-0001	D-10
27010-1313	C-6	35015-0005	E-11	41068-0017	E-14	43057-003	F-6	44071-0290-18R	F-10	49063-1055	D-8
27010-1446	D-6	35019-0042	E-11	41068-0053	F-3	43057-003	F-8	44071-0290-458	F-10	49065-0011	D-3
27010-1446	D-7	35023-0076	E-11	41068-0059	E-14	43078-0025	D-10	44071-0290-793	F-10	49078-0038	B-8
27010-1455	G-10	35023-0077	E-11	41073-0051-2A	F-3	43078-1082	F-7	44071-0290-796	F-10	49085-1078	D-9
27010-1479	G-10	35063-0285-18R	E-9	41073-0051-795	F-3	43080-5017-DJ	F-6	45014-0119-458	E-8	49091-0001	F-5
27012-1316	E-11	35063-0285-458	E-9	41073-0051-R2	F-3	43080-5028-DJ	F-6	45014-0119-794	E-8	49091-0001	F-7
27016-1115	G-10	35063-0285-735	E-9	41073-0053-2A	E-14	43080-5061-DJ	F-8	45014-0119-796	E-8	49118-0042	B-9
27016-5309	G-10	35063-0286-18R	E-9	41073-0053-795	E-14	43082-0050	F-6	45014-0201-458	E-8	49118-0072	B-9
27045-5231	G-10	35063-0286-458	E-9	41073-0053-R2	E-14	43082-0051	F-6	46003-0093-458	F-9	51044-0029	C-13
27045-5356	G-10	35063-0286-735	E-9	41075-0007	E-13	43082-1213	F-8	46003-0093-718	F-9	51049-0012	F-12
28011-0037	F-14	36001-0063-6Z	G-4	41075-0008	E-13	43084-003	F-6	46012-0010-11E	F-9	51084-5138-17K	F-12
28011-0038	F-14	36001-0064-6Z	G-4	41075-0009	E-13	43084-003	F-8	46012-0010-458	F-9	51084-5138-H8	F-12
28012-1077	G-10	36014-0027	G-4	41080-0040	F-8	43094-1053	F-9	46012-0010-793	F-9	51084-5139-474	F-12
290Q0606	C-5	36040-0037-17K	G-5	41080-0078-10R	F-6	43095-0193	F-7	46012-0010-796	F-9	51084-5140-777	F-12
290Q0606	C-6	36040-0037-474	G-5	41080-0103-11I	F-6	43095-0211	F-5	46012-0047-18R	F-9	51084-5331-723	F-12
318C0800	E-7	36040-0037-723	G-5	410F0600	F-9	43095-0238	F-7	46012-0047-458	F-9	52005-1057	C-10
32033-1535	D-3	36040-0037-777	G-5	410F0800	E-7	43095-0265	F-5	46019-0001	F-9	53003-0058-MA	F-13
32065-0022	E-10	36040-0037-H8	G-5	411AA1200	E-8	44005-0045-11E	F-10	46075-0033	E-5	53003-0066-810	F-13
32065-0023	E-10	36040-0038-17K	G-5	42033-0003	F-3	44005-0045-18R	F-10	46075-0034	E-5	53003-0066-MA	F-13
32085-0047	E-9	36040-0038-474	G-5	42034-1143	D-4	44005-0045-458	F-10	46075-0057	E-6	53044-1174	E-6
32154-0661	C-4	36040-0038-723	G-5	42036-0024	E-8	44005-0045-793	F-10	46075-0058	E-6	53044-1185	D-9
32154-0661	C-6	36040-0038-777	G-5	42036-1251	F-3	44005-0045-796	F-10	46075-1144	F-9	53044-1249	F-12
32160-0173-11E	E-3	36040-0038-H8	G-5	42036-1358	E-7	44006-0045-11E	F-10	46076-0045	F-9	53066-0110-810	F-13
32160-0173-458	E-3	36040-0039-17K	G-5	42041-0020	F-3	44006-0045-18R	F-10	46076-1180	F-9	53066-0110-MA	F-13
32160-0173-793	E-3	36040-0039-474	G-5	42045-018	F-3	44006-0045-458	F-10	46091-0086	F-9	53066-0136-MA	F-13
32160-0173-796	E-3	36040-0039-723	G-5	43001-0051	F-4	44006-0045-793	F-10	46091-0092	F-9	54010-0029	G-3
32160-0270-18R	E-3	36040-0039-777	G-5	43010-1074	F-7	44006-0045-796	F-10	46091-0118	F-9	54011-0046	G-3
32160-0270-458	E-3	36040-0039-H8	G-5	43015-0011	F-5	44013-0063	F-10	46092-1162	F-9	54011-0083	G-3
32190-0255	E-4	39061-0066	D-9	43015-0068	F-7	44023-0044	F-10	461K0500	D-6	54012-0164	G-3
32190-0257	E-4	39061-0110	D-9	43020-1054	F-5	44026-0090	F-10	461K0500	D-7	54012-0177	G-3
33001-0081-11E	E-7	39062-0094	D-10	43020-1094	F-7	44029-0005	F-10	461L0600	G-10	55020-0192	E-7
33001-0081-18R	E-7	39062-0096	D-10	43020-1119	F-8	44037-0050-11E	F-10	480J1300	C-3	55020-0220	E-11
33001-0081-458	E-7	39062-0135	D-10	43022-1010	F-5	44037-0050-18R	F-10	480J2900	B-13	55020-0343	D-9
33001-0081-793	E-7	39076-0006	D-6	43026-1051	F-7	44037-0050-458	F-10	482L0100	E-9	55020-1691	F-10
33001-0081-796	E-7	39076-0006	D-7	43026-1076	F-5	44037-0050-793	F-10	482L5000	E-9	55028-0113-17K	H-7
33032-1142	E-7	39154-0015	H-7	43027-1051	F-7	44037-0050-796	F-10	49002-1116	B-3	55028-0113-18T	H-7
33040-0015	E-7	39178-0065	B-7	43027-1055	F-5	44039-0033-11E	F-10	49006-1054	F-6	55028-0113-474	H-7
34024-0024	E-12	39178-0074	B-7	43028-1057	F-7	44039-0033-18R	F-10	49006-1054	F-8	55028-0113-723	H-7
34028-0004	E-9	39193-0029	C-4	43028-1058	F-5	44039-0033-458	F-10	49006-1095	F-6	55028-0113-H8	H-7

This catalog covers:

'06~'08 EX650 A6F/A7F/A8F

GRID NO.

This grid covers:

L-14 Numerical Parts Index

Part No.	Grid No.	Part No.	Grid No.	Part No.	Grid No.	Part No.	Grid No.	Part No.	Grid No.	Part No.	Grid No.
55028-0116-17K	H-9	56052-0814	G-13	92002-1796	D-3	92022-1132	D-6	92042-007	B-3	92055-1155	D-8
55028-0116-474	H-8	56052-0819	G-13	92002-1935	E-12	92022-1298	F-10	92042-014	D-3	92055-1251	F-7
55028-0116-723	H-9	56052-0819	G-14	92002-1995	E-9	92022-1342	G-10	92043-0028	E-9	92055-1276	D-6
55028-0116-777	H-9	56052-0819	H-3	92003-208	B-9	92022-1401	B-5	92043-0104	F-7	92055-1276	D-7
55028-0116-H8	H-8	56052-0819	H-4	92004-0024	C-4	92022-1496	C-3	92043-1037	C-4	92055-1279	D-10
55028-0117-17K	H-9	56052-0819	H-5	92004-0024	C-6	92022-1601	F-7	92043-1037	C-6	92055-1293	B-13
55028-0117-474	H-8	56052-0819	H-6	92004-0025	B-3	92022-1818	E-10	92043-1263	C-10	92055-1321	F-11
55028-0117-723	H-9	56052-0988	H-4	92004-0028	F-3	92022-1827	C-3	92043-1489	F-6	92055-1352	B-4
55028-0117-777	H-9	56052-0993	H-3	92005-1238	C-4	92022-1827	D-3	92043-1489	F-8	92055-1354	D-3
55028-0117-H8	H-8	56052-0994	H-3	92005-1238	C-6	92022-1868	B-12	92043-1567	B-3	92055-1370	D-6
55028-0119-17K	H-10	56053-0149	G-12	92009-1134	F-9	92022-228	F-4	92043-1567	B-5	92055-1370	D-7
55028-0119-18T	H-10	56053-0150	G-12	92009-1158	F-14	92022-326	F-4	92043-1595	E-9	92055-1381	D-6
55028-0119-474	H-10	56054-0111	H-6	92009-1360	C-10	92025-1455	B-13	92043-4009	B-4	92055-1381	D-7
55028-0119-723	H-10	56054-0112	H-5	92009-1375	B-13	92026-0118	E-10	92045-0017	E-7	92055-1600	B-3
55028-0119-H8	H-10	56070-1143	G-12	92009-1375	B-14	92026-022	B-12	92045-0042	B-13	92055-1622	C-12
55028-0120-17K	H-10	59026-0018	D-5	92009-1378	G-7	92026-087	D-6	92045-1122	B-14	92057-0098	D-3
55028-0120-18T	H-10	59256-0007	D-8	92009-1458	F-5	92026-087	D-7	92045-1224	B-13	92057-0100	B-9
55028-0120-474	H-10	59502-0019	D-9	92009-1860	C-12	92026-1217	C-3	92045-1235	B-12	92057-0101	F-3
55028-0120-723	H-10	600A0500	B-13	92009-1909	G-4	92026-1529	B-13	92045-1384	E-3	92058-0007	F-3
55028-0120-H8	H-10	600A0800	E-9	92009-1909	H-7	92027-1450	E-6	92046-0008	E-7	92059-1961	E-12
55028-0121	H-7	601B6004UU	E-14	92009-1909	H-8	92027-1653	B-7	92046-0017	C-4	92062-1086	C-4
55028-0122	H-7	601B6204UU	F-3	92009-1909	H-9	92027-1847	G-7	92046-0017	C-6	92062-1086	C-6
55028-0123	H-7	601B6205UU	F-3	92009-1984	B-6	92027-251	F-12	92046-1010	C-10	92065-058	C-10
55028-0157	H-7	610A0408	B-14	92009-1984	C-14	92028-1449	B-13	92046-1148	C-10	92065-097	C-11
55028-0158	H-7	610A0408	C-10	92009-3845	E-11	92028-1903	B-10	92046-1148	C-4	92066-0002	B-3
550D2015	F-7	670B2020	C-10	92009-3845	G-10	92028-1904	B-10	92046-1148	C-6	92066-0003	C-4
550D4035	F-3	670D1505	C-5	92015-1094	G-6	92028-1905	B-10	92046-1185	B-13	92066-0003	C-6
551A0408	D-8	670D1505	C-7	92015-1174	H-7	92033-015	B-13	92046-1272	E-8	92066-0032	F-11
551A0814	C-5	670D1508	C-5	92015-1188	E-12	92033-1036	F-11	92049-0022	E-3	92066-0056	C-4
551A0814	C-6	670D1508	C-7	92015-1188	E-4	92033-1037	B-13	92049-0073	F-11	92066-0056	C-6
555A0408	B-10	670D1509	C-5	92015-1197	F-9	92033-1041	E-7	92049-1056	F-3	92066-0061	C-4
56001-0043	H-7	670D1509	C-7	92015-1233	F-5	92033-1043	F-3	92049-1057	E-14	92066-0061	C-6
56001-0044	H-7	670D1510	C-5	92015-1311	B-10	92033-1102	F-9	92049-1181	E-7	92066-0069	C-11
56007-0026	G-11	670D1510	C-7	92015-1386	H-7	92033-1186	F-7	92049-1185	E-7	92066-0071	E-3
56008-1075	G-11	670D2014	C-5	92015-1476	D-6	92033-1247	B-3	92049-1259	D-8	92066-0073	C-10
56019-120	G-11	670D2014	C-7	92015-1476	D-7	92036-008	B-5	92049-1349	B-8	92066-0088	C-10
56030-0046	G-9	670E5065	C-13	92015-1487	D-9	92037-010	F-12	92049-1475	C-10	92066-1077	F-5
56030-0098	G-9	671B2540	C-10	92015-1555	B-12	92037-1163	G-9	92049-1483	E-3	92066-1077	F-9
56031-1441	G-12	671B2560	F-3	92015-1602	F-7	92037-1316	G-9	92049-1493	E-8	92066-1211	B-6
56033-0090	G-12	702A06750	F-12	92015-1724	E-7	92037-147	B-6	92049-1501	C-4	92069-1016	G-6
56033-0095	G-12	92001-1066	B-12	92015-1757	E-11	92037-1505	D-10	92049-1501	C-6	92069-1055	G-7
56033-0097	G-12	92001-1950	D-10	92015-1757	G-4	92037-1827	G-9	92049-1519	C-10	92069-1084	G-7
56033-0118	G-12	92002-1143	B-3	92015-1757	H-10	92037-1827	H-8	92052-006	F-3	92069-1110	F-14
56033-0131	C-10	92002-1154	D-8	92015-1757	H-7	92037-1827	H-9	92055-0006	C-4	92069-1113	F-14
56052-0782	H-6	92002-1322	F-5	92015-1757	H-8	92037-1877	B-4	92055-0006	C-6	92069-1125	G-8
56052-0785	G-13	92002-1323	F-5	92015-1757	H-9	92039-0014	H-10	92055-0016	C-14	92069-1126	G-6
56052-0785	H-4	92002-1344	D-3	92015-1759	E-7	92039-0068	C-12	92055-0082	D-8	92070-0014	D-5
56052-0785	H-5	92002-1582	G-10	92015-1904	G-6	92039-1227	G-5	92055-0083	D-8	92071-0024	D-6
56052-0788	G-14	92002-1778	C-3	92015-1959	E-7	92039-1283	E-11	92055-086	B-9	92071-0024	D-7
56052-0813	G-14	92002-1796	B-14	92022-077	D-8	92039-1283	G-5	92055-1011	C-10	92071-056	H-8

This catalog covers:

'06~'08 EX650 A6F/A7F/A8F

GRID NO.

This grid covers:

L-15

Numerical Parts Index

Part No.	Grid No.	Part No.	Grid No.	Part No.	Grid No.	Part No.	Grid No.	Part No.	Grid No.	Part No.	Grid No.
92071-056	H-9	92139-0117	B-11	92151-1389	C-4	92153-0478	H-9	92153-1449	C-8	92161-1315	H-9
92071-1115	D-9	92139-0118	B-11	92151-1389	C-6	92153-0506	F-11	92153-1449	C-9	92161-1321	F-13
92072-0012	C-12	92139-0119	B-11	92151-1461	C-8	92153-0530	C-4	92153-1450	C-8	92170-1017	B-6
92072-1085	E-5	92139-0120	B-13	92151-1461	C-9	92153-0530	C-6	92153-1450	C-9	92170-1067	D-10
92072-1085	E-6	92143-1353	G-6	92151-1462	C-8	92153-0542	C-4	92153-1472	F-11	92170-1067	F-5
92072-1176	E-5	92143-1379	F-9	92151-1462	C-9	92153-0549	D-5	92153-1484	E-8	92170-1091	F-7
92072-1176	E-6	92143-1498	C-3	92151-1463	C-8	92153-0587	F-6	92153-1503	G-5	92170-1114	C-12
92072-1195	G-9	92143-1727	E-7	92151-1463	C-9	92153-0589	E-10	92153-1517	E-5	92170-1167	C-4
92072-1197	G-9	92144-1467	F-9	92151-1464	C-8	92153-0627	F-5	92153-1517	E-6	92170-1167	C-6
92072-1203	E-5	92144-1567	E-9	92151-1464	C-9	92153-0627	F-7	92153-1616	F-12	92170-1804	G-9
92072-1203	E-6	92144-1568	E-9	92151-1465	C-8	92153-0628	F-5	92153-1624	F-7	92170-1833	F-12
92072-1414	G-9	92144-1719	F-8	92151-1465	C-9	92153-0725	F-7	92153-1630	E-9	92171-0069	G-9
92075-1002	F-12	92144-1818	E-12	92151-1537	F-9	92153-0759	B-6	92153-1766	E-8	92171-0261	D-10
92075-1067	E-9	92144-1831	F-6	92151-1605	E-9	92153-0793	B-4	92153-1783	D-7	92171-0314	B-6
92075-125	F-12	92144-1832	F-6	92151-1654	G-4	92153-0823	E-4	92153-1805	C-6	92171-0316	B-4
92075-1435	F-14	92144-1844	F-6	92151-1703	E-5	92153-0873	H-10	92160-1007	D-9	92171-0337	D-10
92075-1690	F-12	92144-1975	C-3	92151-1703	E-6	92153-0951	D-4	92160-1089	H-7	92171-0435	B-6
92075-1912	C-14	92145-0066	B-12	92151-1755	H-10	92153-0952	D-3	92160-1099	H-7	92171-0463	F-7
92075-209	E-6	92145-0091	G-10	92151-1930	B-9	92153-0957	B-10	92160-1116	B-7	92171-0657	G-9
92081-1033	B-12	92145-0304	C-3	92151-1930	C-10	92153-0958	B-14	92160-1161	E-8	92171-0658	G-3
92081-1833	F-4	92145-0326	C-3	92151-1930	C-11	92153-0959	C-8	92160-1613	G-4	92171-0685	F-5
92086-1075	E-5	92145-1319	E-9	92151-1937	C-6	92153-0959	C-9	92160-1613	G-5	92171-0706	F-5
92086-1075	E-6	92150-1143	D-6	92151-1937	D-6	92153-0960	C-8	92161-0036	G-6	92171-0789	B-4
92092-1018	F-9	92150-1186	D-9	92151-1937	D-7	92153-0960	C-9	92161-0041	C-14	92171-0813	B-4
92093-0045	B-6	92150-1301	C-8	92152-0087	E-14	92153-0962	C-4	92161-0149	F-13	92171-0836	D-5
92093-0046	B-6	92150-1301	C-9	92152-0118	F-13	92153-0962	C-6	92161-0163	G-7	92171-0911	C-10
92093-0048	B-6	92150-1433	D-4	92152-0134	C-4	92153-0963	C-4	92161-0179	C-14	92171-0955	F-7
92093-1472	F-11	92150-1604	F-9	92152-0295	E-10	92153-0963	C-6	92161-0191	G-5	92171-0971	G-3
92104-0004	G-11	92150-1689	D-9	92152-0300	B-13	92153-0964	C-4	92161-0266	E-10	92171-1089	B-3
92104-1064	G-11	92150-1771	F-6	92152-0301	F-3	92153-0964	C-6	92161-0267	C-4	92171-1415	G-9
92106-1001	G-11	92150-1771	F-8	92152-0302	F-3	92153-0967	G-10	92161-0267	C-6	92171-1424	G-9
92107-005	G-11	92150-1884	C-10	92152-0306	B-9	92153-0969	D-3	92161-0279	G-5	92171-1559	G-9
92107-1053	G-11	92151-1131	C-10	92152-0310	E-14	92153-0972	B-3	92161-0280	G-5	92171-1568	B-7
92110-1015	G-11	92151-1131	D-8	92152-0311	E-4	92153-0976	E-4	92161-0283	G-9	92172-0009	B-6
92110-1132	G-11	92151-1133	D-8	92152-0312	G-5	92153-0995	E-4	92161-0301	D-9	92172-0064	C-12
92110-1144	G-11	92151-1134	C-10	92152-0372	G-7	92153-1011	B-5	92161-0302	B-6	92172-0175	G-8
92110-1147	G-11	92151-1134	D-8	92152-0398	D-9	92153-1244	E-11	92161-0303	F-3	92172-0175	H-8
92110-1148	G-11	92151-1135	C-10	92152-0410	F-11	92153-1244	H-7	92161-0309	B-6	92172-0175	H-9
92110-1152	G-11	92151-1149	E-7	92152-0422	H-10	92153-1267	E-10	92161-0376	H-7	92172-0183	F-9
92110-1153	G-11	92151-1152	B-3	92152-0422	H-8	92153-1283	C-13	92161-0401	H-7	92172-0209	B-14
92110-3703	G-11	92151-1197	C-4	92152-0422	H-9	92153-1321	B-3	92161-0402	H-7	92172-0242	G-8
92111-1051	G-11	92151-1201	C-10	92152-0550	G-5	92153-1357	B-7	92161-0403	H-7	92172-0335	E-10
92112-1001	G-11	92151-1226	C-3	92152-0551	E-6	92153-1394	B-9	92161-0404	H-7	92180-1014	B-8
92127-003	G-11	92151-1241	G-7	92152-1075	C-3	92153-1414	C-4	92161-0435	H-7	92180-1016	B-8
92139-0106	B-12	92151-1252	D-10	92153-0018	C-10	92153-1414	C-6	92161-0445	H-9	92180-1018	B-8
92139-0107	B-13	92151-1277	D-9	92153-0339	B-3	92153-1414	D-4	92161-0446	H-9	92180-1020	B-8
92139-0108	B-13	92151-1289	F-8	92153-0417	F-5	92153-1424	G-7	92161-1084	G-7	92180-1022	B-8
92139-0114	B-10	92151-1305	C-10	92153-0474	E-3	92153-1428	E-4	92161-1300	C-3	92180-1024	B-8
92139-0115	B-10	92151-1357	F-11	92153-0478	H-10	92153-1446	G-3	92161-1313	G-7	92180-1026	B-8
92139-0116	B-10	92151-1389	C-11	92153-0478	H-8	92153-1446	G-9	92161-1315	H-8	92180-1028	B-8

This catalog covers:

'06~'08 EX650 A6F/A7F/A8F

GRID NO.

B-16

This grid covers:

Part Name Index

Air Cleaner.....	B-6
Balancer.....	B-11
Brake Pedal.....	F-4
Cables.....	G-3
Camshaft(s).....	B-9
Chain Cover.....	G-4
Chassis Electrical Equipment.....	G-9
Clutch.....	B-12
Cowling Lowers.....	H-10
Cowling(Center)(A6F).....	H-8
Cowling(Center)(A7F/A8F).....	H-9
Cowling(Upper).....	H-7
Crankcase Bolt Pattern.....	C-8/C-9
Crankcase(~ER650AE057323).....	C-4/C-5
Crankcase(ER650AE057324~).....	C-6/C-7
Crankshaft.....	B-10
Cylinder.....	B-5
Cylinder Head.....	B-3
Cylinder Head Cover.....	B-4
Decals(Black)(A7F).....	H-4
Decals(Black)(A8F).....	H-5
Decals(Blue)(A7F).....	H-3
Decals(Ebony)(A6F).....	G-13
Decals(Green)(A8F).....	H-6
Decals(Silver)(A6F).....	G-14
Engine Cover(s).....	C-10
Engine Mount.....	E-4
Footrests.....	E-9
Frame.....	E-3
Frame Fittings(~JKAEX650AAA022143).....	E-5
Frame Fittings(JKAEX650AAA022144~).....	E-6
Front Brake.....	F-6
Front Fender(s).....	E-10
Front Fork.....	F-10/F-11
Front Hub.....	E-14
Front Master Cylinder.....	F-5
Fuel Injection.....	C-14
Fuel Pump.....	C-13
Fuel Tank.....	F-12

Gear Change Drum.....	B-14
Gear Change Mechanism.....	C-3
Generator.....	D-4
Handlebar.....	F-9
Headlight(s).....	G-6
Ignition Switch.....	G-10
Ignition System.....	D-5
Labels.....	G-12
Manual.....	H-11
Meter(s).....	F-14
Muffler(s).....	B-7
Oil Pan.....	C-11
Oil Pump.....	D-3
Owner's Tools.....	G-11
Piston(s).....	B-5
Radiator.....	D-9
Rear Brake.....	F-8
Rear Fender(s).....	E-11
Rear Hub.....	F-3
Rear Master Cylinder.....	F-7
Seat.....	F-13
Seat Cover.....	G-5
Shift Fork(s).....	B-14
Shock Absorber.....	E-8
Side Covers.....	G-4
Stand(s).....	E-12
Starter Motor(~ER650AE046804).....	D-6
Starter Motor(ER650AE046805~).....	D-7
Suspension.....	E-8
Swingarm.....	E-7
Taillight(s).....	G-7
Tensioner.....	B-9
Throttle.....	C-12
Tires.....	E-13
Transmission.....	B-13
Turn Signals.....	G-8
Valve(s).....	B-8
Water Pipe.....	D-10
Water Pump.....	D-8

This catalog covers:

'06~'08 EX650 A6F/A7F/A8F

GRID NO.

C-16

This grid covers:

Part Name Index

Air Cleaner.....	B-6
Balancer.....	B-11
Brake Pedal.....	F-4
Cables.....	G-3
Camshaft(s).....	B-9
Chain Cover.....	G-4
Chassis Electrical Equipment.....	G-9
Clutch.....	B-12
Cowling Lowers.....	H-10
Cowling(Center)(A6F).....	H-8
Cowling(Center)(A7F/A8F).....	H-9
Cowling(Upper).....	H-7
Crankcase Bolt Pattern.....	C-8/C-9
Crankcase(~ER650AE057323).....	C-4/C-5
Crankcase(ER650AE057324~).....	C-6/C-7
Crankshaft.....	B-10
Cylinder.....	B-5
Cylinder Head.....	B-3
Cylinder Head Cover.....	B-4
Decals(Black)(A7F).....	H-4
Decals(Black)(A8F).....	H-5
Decals(Blue)(A7F).....	H-3
Decals(Ebony)(A6F).....	G-13
Decals(Green)(A8F).....	H-6
Decals(Silver)(A6F).....	G-14
Engine Cover(s).....	C-10
Engine Mount.....	E-4
Footrests.....	E-9
Frame.....	E-3
Frame Fittings(~JKAEX650AAA022143).....	E-5
Frame Fittings(JKAEX650AAA022144~).....	E-6
Front Brake.....	F-6
Front Fender(s).....	E-10
Front Fork.....	F-10/F-11
Front Hub.....	E-14
Front Master Cylinder.....	F-5
Fuel Injection.....	C-14
Fuel Pump.....	C-13
Fuel Tank.....	F-12

Gear Change Drum.....	B-14
Gear Change Mechanism.....	C-3
Generator.....	D-4
Handlebar.....	F-9
Headlight(s).....	G-6
Ignition Switch.....	G-10
Ignition System.....	D-5
Labels.....	G-12
Manual.....	H-11
Meter(s).....	F-14
Muffler(s).....	B-7
Oil Pan.....	C-11
Oil Pump.....	D-3
Owner's Tools.....	G-11
Piston(s).....	B-5
Radiator.....	D-9
Rear Brake.....	F-8
Rear Fender(s).....	E-11
Rear Hub.....	F-3
Rear Master Cylinder.....	F-7
Seat.....	F-13
Seat Cover.....	G-5
Shift Fork(s).....	B-14
Shock Absorber.....	E-8
Side Covers.....	G-4
Stand(s).....	E-12
Starter Motor(~ER650AE046804).....	D-6
Starter Motor(ER650AE046805~).....	D-7
Suspension.....	E-8
Swingarm.....	E-7
Taillight(s).....	G-7
Tensioner.....	B-9
Throttle.....	C-12
Tires.....	E-13
Transmission.....	B-13
Turn Signals.....	G-8
Valve(s).....	B-8
Water Pipe.....	D-10
Water Pump.....	D-8

This catalog covers:

'06~'08 EX650 A6F/A7F/A8F

GRID NO.

D-16

This grid covers:

Part Name Index

Air Cleaner.....	B-6
Balancer.....	B-11
Brake Pedal.....	F-4
Cables.....	G-3
Camshaft(s).....	B-9
Chain Cover.....	G-4
Chassis Electrical Equipment.....	G-9
Clutch.....	B-12
Cowling Lowers.....	H-10
Cowling(Center)(A6F).....	H-8
Cowling(Center)(A7F/A8F).....	H-9
Cowling(Upper).....	H-7
Crankcase Bolt Pattern.....	C-8/C-9
Crankcase(~ER650AE057323).....	C-4/C-5
Crankcase(ER650AE057324~).....	C-6/C-7
Crankshaft.....	B-10
Cylinder.....	B-5
Cylinder Head.....	B-3
Cylinder Head Cover.....	B-4
Decals(Black)(A7F).....	H-4
Decals(Black)(A8F).....	H-5
Decals(Blue)(A7F).....	H-3
Decals(Ebony)(A6F).....	G-13
Decals(Green)(A8F).....	H-6
Decals(Silver)(A6F).....	G-14
Engine Cover(s).....	C-10
Engine Mount.....	E-4
Footrests.....	E-9
Frame.....	E-3
Frame Fittings(~JKAEX650AAA022143).....	E-5
Frame Fittings(JKAEX650AAA022144~).....	E-6
Front Brake.....	F-6
Front Fender(s).....	E-10
Front Fork.....	F-10/F-11
Front Hub.....	E-14
Front Master Cylinder.....	F-5
Fuel Injection.....	C-14
Fuel Pump.....	C-13
Fuel Tank.....	F-12

Gear Change Drum.....	B-14
Gear Change Mechanism.....	C-3
Generator.....	D-4
Handlebar.....	F-9
Headlight(s).....	G-6
Ignition Switch.....	G-10
Ignition System.....	D-5
Labels.....	G-12
Manual.....	H-11
Meter(s).....	F-14
Muffler(s).....	B-7
Oil Pan.....	C-11
Oil Pump.....	D-3
Owner's Tools.....	G-11
Piston(s).....	B-5
Radiator.....	D-9
Rear Brake.....	F-8
Rear Fender(s).....	E-11
Rear Hub.....	F-3
Rear Master Cylinder.....	F-7
Seat.....	F-13
Seat Cover.....	G-5
Shift Fork(s).....	B-14
Shock Absorber.....	E-8
Side Covers.....	G-4
Stand(s).....	E-12
Starter Motor(~ER650AE046804).....	D-6
Starter Motor(ER650AE046805~).....	D-7
Suspension.....	E-8
Swingarm.....	E-7
Taillight(s).....	G-7
Tensioner.....	B-9
Throttle.....	C-12
Tires.....	E-13
Transmission.....	B-13
Turn Signals.....	G-8
Valve(s).....	B-8
Water Pipe.....	D-10
Water Pump.....	D-8

This catalog covers:

'06~'08 EX650 A6F/A7F/A8F

GRID NO.

E-16

This grid covers:

Part Name Index

Air Cleaner.....	B-6
Balancer.....	B-11
Brake Pedal.....	F-4
Cables.....	G-3
Camshaft(s).....	B-9
Chain Cover.....	G-4
Chassis Electrical Equipment.....	G-9
Clutch.....	B-12
Cowling Lowers.....	H-10
Cowling(Center)(A6F).....	H-8
Cowling(Center)(A7F/A8F).....	H-9
Cowling(Upper).....	H-7
Crankcase Bolt Pattern.....	C-8/C-9
Crankcase(~ER650AE057323).....	C-4/C-5
Crankcase(ER650AE057324~).....	C-6/C-7
Crankshaft.....	B-10
Cylinder.....	B-5
Cylinder Head.....	B-3
Cylinder Head Cover.....	B-4
Decals(Black)(A7F).....	H-4
Decals(Black)(A8F).....	H-5
Decals(Blue)(A7F).....	H-3
Decals(Ebony)(A6F).....	G-13
Decals(Green)(A8F).....	H-6
Decals(Silver)(A6F).....	G-14
Engine Cover(s).....	C-10
Engine Mount.....	E-4
Footrests.....	E-9
Frame.....	E-3
Frame Fittings(~JKAEX650AAA022143).....	E-5
Frame Fittings(JKAEX650AAA022144~).....	E-6
Front Brake.....	F-6
Front Fender(s).....	E-10
Front Fork.....	F-10/F-11
Front Hub.....	E-14
Front Master Cylinder.....	F-5
Fuel Injection.....	C-14
Fuel Pump.....	C-13
Fuel Tank.....	F-12

Gear Change Drum.....	B-14
Gear Change Mechanism.....	C-3
Generator.....	D-4
Handlebar.....	F-9
Headlight(s).....	G-6
Ignition Switch.....	G-10
Ignition System.....	D-5
Labels.....	G-12
Manual.....	H-11
Meter(s).....	F-14
Muffler(s).....	B-7
Oil Pan.....	C-11
Oil Pump.....	D-3
Owner's Tools.....	G-11
Piston(s).....	B-5
Radiator.....	D-9
Rear Brake.....	F-8
Rear Fender(s).....	E-11
Rear Hub.....	F-3
Rear Master Cylinder.....	F-7
Seat.....	F-13
Seat Cover.....	G-5
Shift Fork(s).....	B-14
Shock Absorber.....	E-8
Side Covers.....	G-4
Stand(s).....	E-12
Starter Motor(~ER650AE046804).....	D-6
Starter Motor(ER650AE046805~).....	D-7
Suspension.....	E-8
Swingarm.....	E-7
Taillight(s).....	G-7
Tensioner.....	B-9
Throttle.....	C-12
Tires.....	E-13
Transmission.....	B-13
Turn Signals.....	G-8
Valve(s).....	B-8
Water Pipe.....	D-10
Water Pump.....	D-8

This catalog covers:

'06~'08 EX650 A6F/A7F/A8F

GRID NO.

F-16

This grid covers:

Part Name Index

Air Cleaner.....	B-6
Balancer.....	B-11
Brake Pedal.....	F-4
Cables.....	G-3
Camshaft(s).....	B-9
Chain Cover.....	G-4
Chassis Electrical Equipment.....	G-9
Clutch.....	B-12
Cowling Lowers.....	H-10
Cowling(Center)(A6F).....	H-8
Cowling(Center)(A7F/A8F).....	H-9
Cowling(Upper).....	H-7
Crankcase Bolt Pattern.....	C-8/C-9
Crankcase(~ER650AE057323).....	C-4/C-5
Crankcase(ER650AE057324~).....	C-6/C-7
Crankshaft.....	B-10
Cylinder.....	B-5
Cylinder Head.....	B-3
Cylinder Head Cover.....	B-4
Decals(Black)(A7F).....	H-4
Decals(Black)(A8F).....	H-5
Decals(Blue)(A7F).....	H-3
Decals(Ebony)(A6F).....	G-13
Decals(Green)(A8F).....	H-6
Decals(Silver)(A6F).....	G-14
Engine Cover(s).....	C-10
Engine Mount.....	E-4
Footrests.....	E-9
Frame.....	E-3
Frame Fittings(~JKAEX650AAA022143).....	E-5
Frame Fittings(JKAEX650AAA022144~).....	E-6
Front Brake.....	F-6
Front Fender(s).....	E-10
Front Fork.....	F-10/F-11
Front Hub.....	E-14
Front Master Cylinder.....	F-5
Fuel Injection.....	C-14
Fuel Pump.....	C-13
Fuel Tank.....	F-12

Gear Change Drum.....	B-14
Gear Change Mechanism.....	C-3
Generator.....	D-4
Handlebar.....	F-9
Headlight(s).....	G-6
Ignition Switch.....	G-10
Ignition System.....	D-5
Labels.....	G-12
Manual.....	H-11
Meter(s).....	F-14
Muffler(s).....	B-7
Oil Pan.....	C-11
Oil Pump.....	D-3
Owner's Tools.....	G-11
Piston(s).....	B-5
Radiator.....	D-9
Rear Brake.....	F-8
Rear Fender(s).....	E-11
Rear Hub.....	F-3
Rear Master Cylinder.....	F-7
Seat.....	F-13
Seat Cover.....	G-5
Shift Fork(s).....	B-14
Shock Absorber.....	E-8
Side Covers.....	G-4
Stand(s).....	E-12
Starter Motor(~ER650AE046804).....	D-6
Starter Motor(ER650AE046805~).....	D-7
Suspension.....	E-8
Swingarm.....	E-7
Taillight(s).....	G-7
Tensioner.....	B-9
Throttle.....	C-12
Tires.....	E-13
Transmission.....	B-13
Turn Signals.....	G-8
Valve(s).....	B-8
Water Pipe.....	D-10
Water Pump.....	D-8

This catalog covers:

'06~'08 EX650 A6F/A7F/A8F

GRID NO.

G-16

This grid covers:

Part Name Index

Air Cleaner.....	B-6
Balancer.....	B-11
Brake Pedal.....	F-4
Cables.....	G-3
Camshaft(s).....	B-9
Chain Cover.....	G-4
Chassis Electrical Equipment.....	G-9
Clutch.....	B-12
Cowling Lowers.....	H-10
Cowling(Center)(A6F).....	H-8
Cowling(Center)(A7F/A8F).....	H-9
Cowling(Upper).....	H-7
Crankcase Bolt Pattern.....	C-8/C-9
Crankcase(~ER650AE057323).....	C-4/C-5
Crankcase(ER650AE057324~).....	C-6/C-7
Crankshaft.....	B-10
Cylinder.....	B-5
Cylinder Head.....	B-3
Cylinder Head Cover.....	B-4
Decals(Black)(A7F).....	H-4
Decals(Black)(A8F).....	H-5
Decals(Blue)(A7F).....	H-3
Decals(Ebony)(A6F).....	G-13
Decals(Green)(A8F).....	H-6
Decals(Silver)(A6F).....	G-14
Engine Cover(s).....	C-10
Engine Mount.....	E-4
Footrests.....	E-9
Frame.....	E-3
Frame Fittings(~JKAEX650AAA022143).....	E-5
Frame Fittings(JKAEX650AAA022144~).....	E-6
Front Brake.....	F-6
Front Fender(s).....	E-10
Front Fork.....	F-10/F-11
Front Hub.....	E-14
Front Master Cylinder.....	F-5
Fuel Injection.....	C-14
Fuel Pump.....	C-13
Fuel Tank.....	F-12

Gear Change Drum.....	B-14
Gear Change Mechanism.....	C-3
Generator.....	D-4
Handlebar.....	F-9
Headlight(s).....	G-6
Ignition Switch.....	G-10
Ignition System.....	D-5
Labels.....	G-12
Manual.....	H-11
Meter(s).....	F-14
Muffler(s).....	B-7
Oil Pan.....	C-11
Oil Pump.....	D-3
Owner's Tools.....	G-11
Piston(s).....	B-5
Radiator.....	D-9
Rear Brake.....	F-8
Rear Fender(s).....	E-11
Rear Hub.....	F-3
Rear Master Cylinder.....	F-7
Seat.....	F-13
Seat Cover.....	G-5
Shift Fork(s).....	B-14
Shock Absorber.....	E-8
Side Covers.....	G-4
Stand(s).....	E-12
Starter Motor(~ER650AE046804).....	D-6
Starter Motor(ER650AE046805~).....	D-7
Suspension.....	E-8
Swingarm.....	E-7
Taillight(s).....	G-7
Tensioner.....	B-9
Throttle.....	C-12
Tires.....	E-13
Transmission.....	B-13
Turn Signals.....	G-8
Valve(s).....	B-8
Water Pipe.....	D-10
Water Pump.....	D-8

This catalog covers:

'06~'08 EX650 A6F/A7F/A8F

GRID NO.

H-16

This grid covers:

Part Name Index

Air Cleaner.....	B-6
Balancer.....	B-11
Brake Pedal.....	F-4
Cables.....	G-3
Camshaft(s).....	B-9
Chain Cover.....	G-4
Chassis Electrical Equipment.....	G-9
Clutch.....	B-12
Cowling Lowers.....	H-10
Cowling(Center)(A6F).....	H-8
Cowling(Center)(A7F/A8F).....	H-9
Cowling(Upper).....	H-7
Crankcase Bolt Pattern.....	C-8/C-9
Crankcase(~ER650AE057323).....	C-4/C-5
Crankcase(ER650AE057324~).....	C-6/C-7
Crankshaft.....	B-10
Cylinder.....	B-5
Cylinder Head.....	B-3
Cylinder Head Cover.....	B-4
Decals(Black)(A7F).....	H-4
Decals(Black)(A8F).....	H-5
Decals(Blue)(A7F).....	H-3
Decals(Ebony)(A6F).....	G-13
Decals(Green)(A8F).....	H-6
Decals(Silver)(A6F).....	G-14
Engine Cover(s).....	C-10
Engine Mount.....	E-4
Footrests.....	E-9
Frame.....	E-3
Frame Fittings(~JKAEX650AAA022143).....	E-5
Frame Fittings(JKAEX650AAA022144~).....	E-6
Front Brake.....	F-6
Front Fender(s).....	E-10
Front Fork.....	F-10/F-11
Front Hub.....	E-14
Front Master Cylinder.....	F-5
Fuel Injection.....	C-14
Fuel Pump.....	C-13
Fuel Tank.....	F-12

Gear Change Drum.....	B-14
Gear Change Mechanism.....	C-3
Generator.....	D-4
Handlebar.....	F-9
Headlight(s).....	G-6
Ignition Switch.....	G-10
Ignition System.....	D-5
Labels.....	G-12
Manual.....	H-11
Meter(s).....	F-14
Muffler(s).....	B-7
Oil Pan.....	C-11
Oil Pump.....	D-3
Owner's Tools.....	G-11
Piston(s).....	B-5
Radiator.....	D-9
Rear Brake.....	F-8
Rear Fender(s).....	E-11
Rear Hub.....	F-3
Rear Master Cylinder.....	F-7
Seat.....	F-13
Seat Cover.....	G-5
Shift Fork(s).....	B-14
Shock Absorber.....	E-8
Side Covers.....	G-4
Stand(s).....	E-12
Starter Motor(~ER650AE046804).....	D-6
Starter Motor(ER650AE046805~).....	D-7
Suspension.....	E-8
Swingarm.....	E-7
Taillight(s).....	G-7
Tensioner.....	B-9
Throttle.....	C-12
Tires.....	E-13
Transmission.....	B-13
Turn Signals.....	G-8
Valve(s).....	B-8
Water Pipe.....	D-10
Water Pump.....	D-8