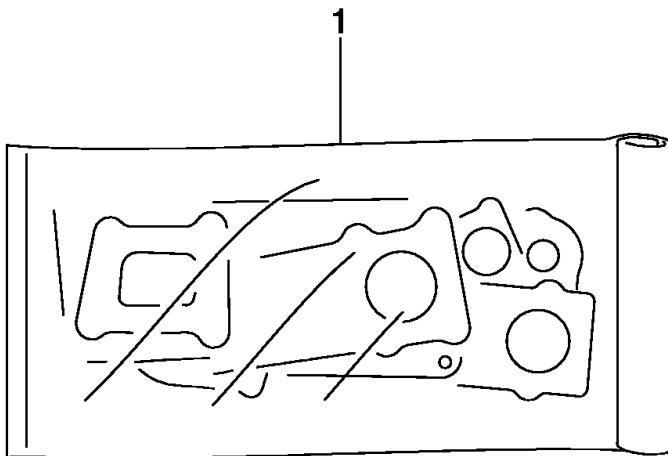
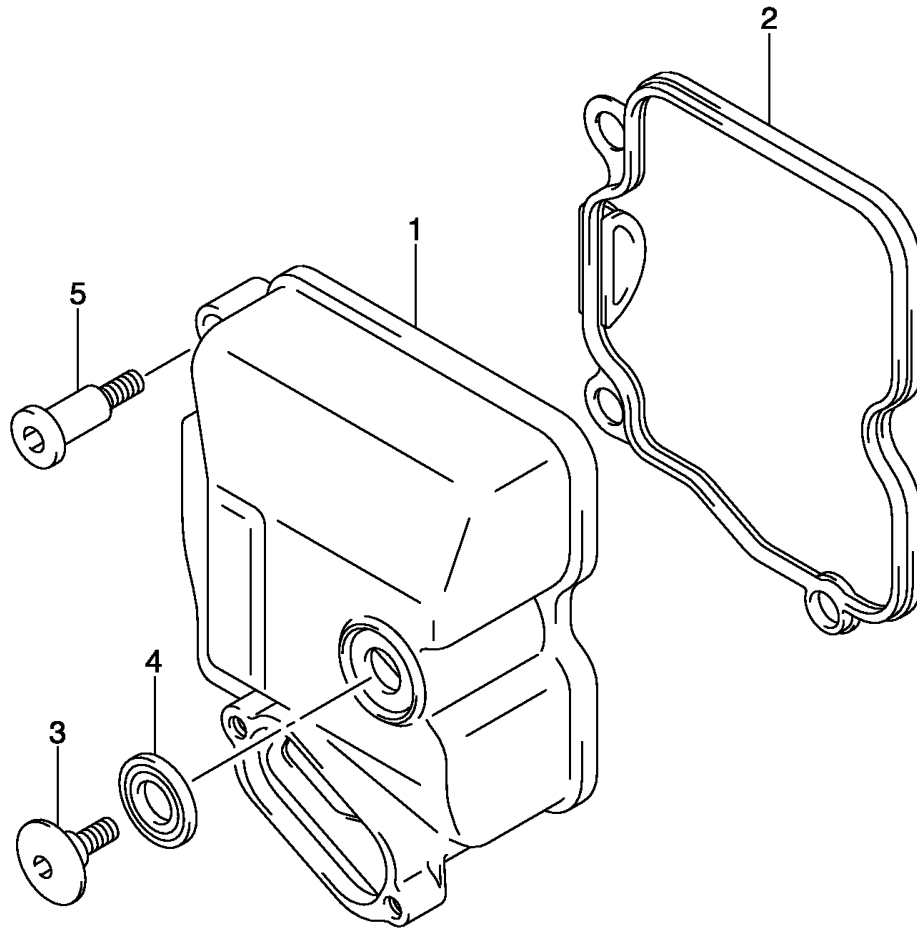


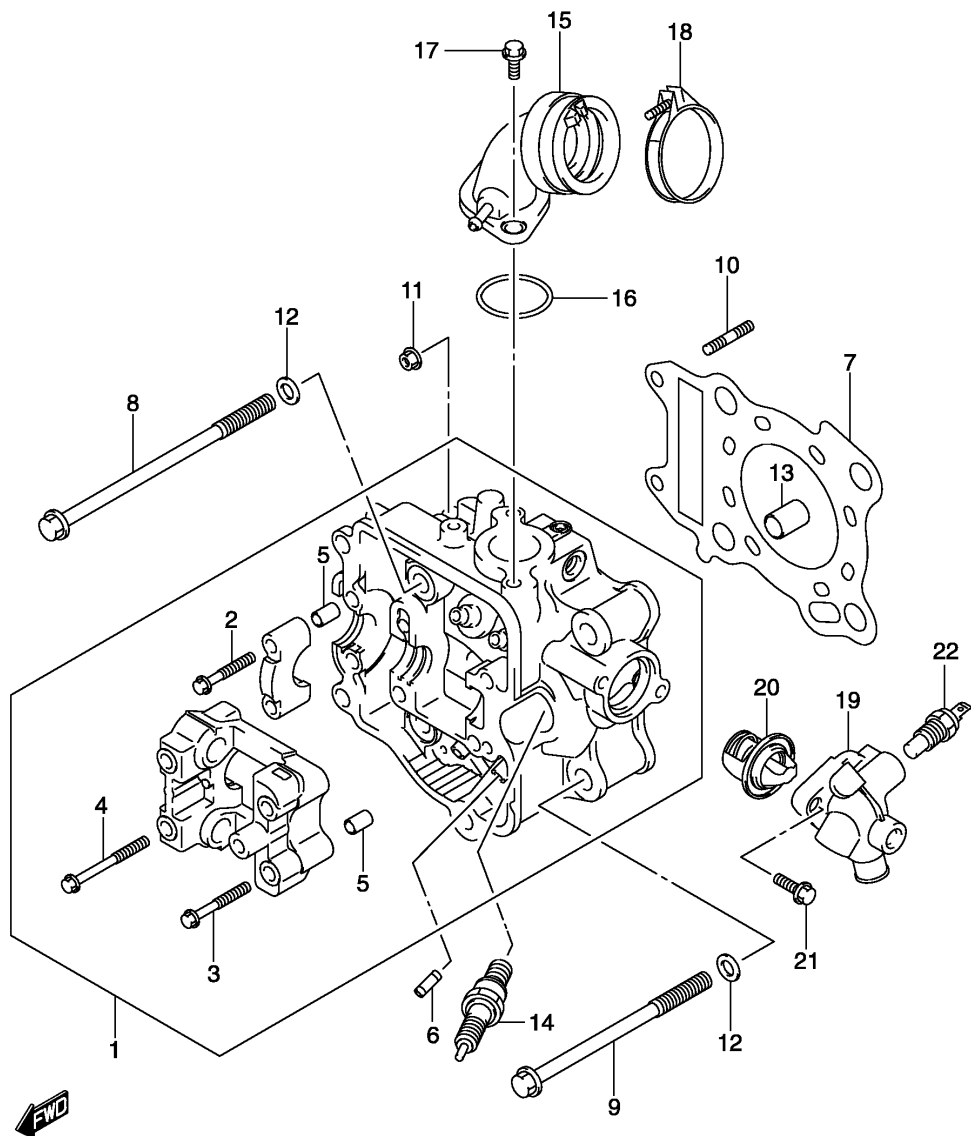
Ref No	Part No	Description
1	11403-49810	Gasket Set
1	11403-49811	Gasket Set
2	11141-21FA0	. Gasket, Cylinder Head
3	11173-49F00	. Gasket, Cylinder Head Cover
4	11241-21F00	. Gasket, Cylinder
5	11482-49F00	. Gasket, Clutch Cover
6	11483-21F00	. Gasket, Magneto Cover
7	12837-19B10	. Gasket, Tensioner Adjuster
8	14181-37D10	. Gasket, Exhaust Pipe
9	16524-20E00	. Gasket, Oil Strainer Cap
10	09168-06023	. Gasket (5.8x13x1.2)
11	09168-08008	. Gasket (8.2x14x1)
11	09168-08016	. Gasket (8.2x14x1)
12	09168-14002	. Gasket (13.8x18.8x0.4)
13	09280-00029	. O Ring (d:2.4, Id:161)
14	09280-22001	. O Ring (d:2.4, Id:21.8)
15	09280-32006	. O Ring (d:2.4, Id:31.7)
16	09280-54001	. O Ring (d:2.4, Id:52.6)





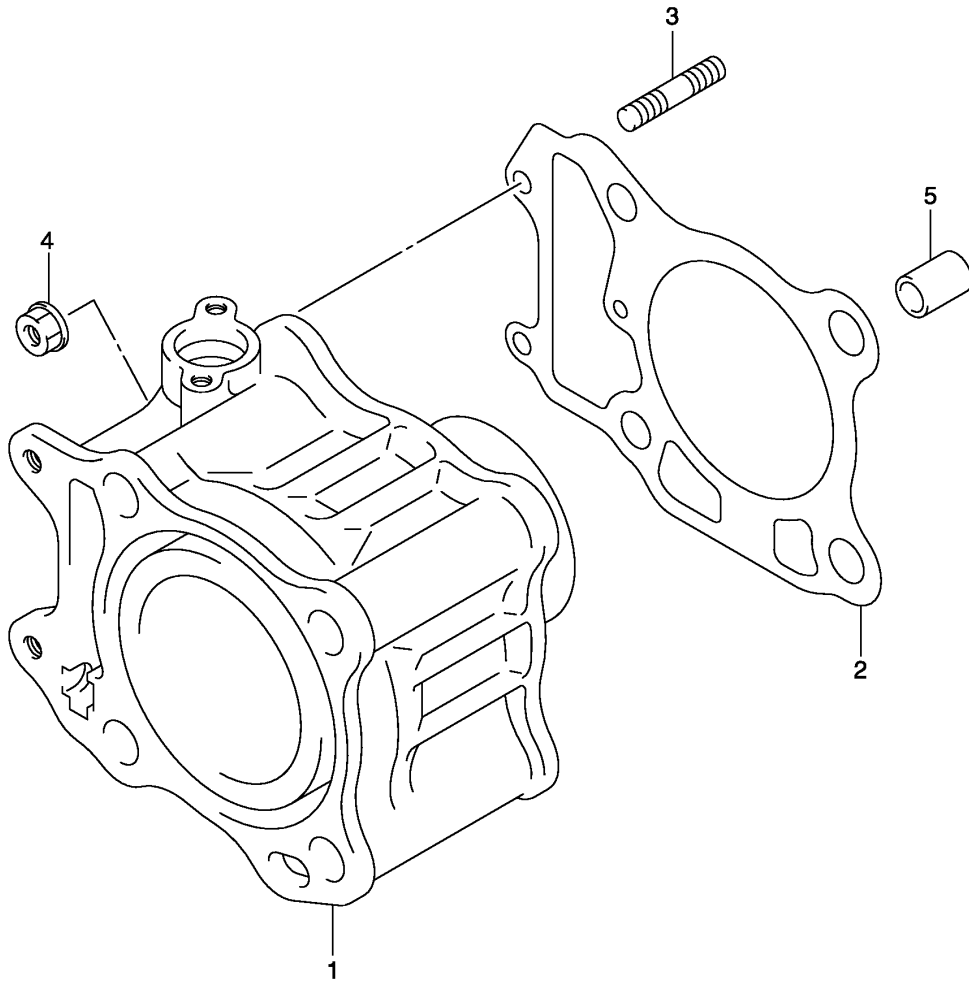
Ref No	Part No	Description
1	11171-49F00	Cover, Cylinder Head
2	11173-49F00	Gasket, Cylinder Head Cover
3	09106-07015	Bolt (7x18.5)
4	09161-11008	Washer
5	09106-07017	Bolt (7x31)

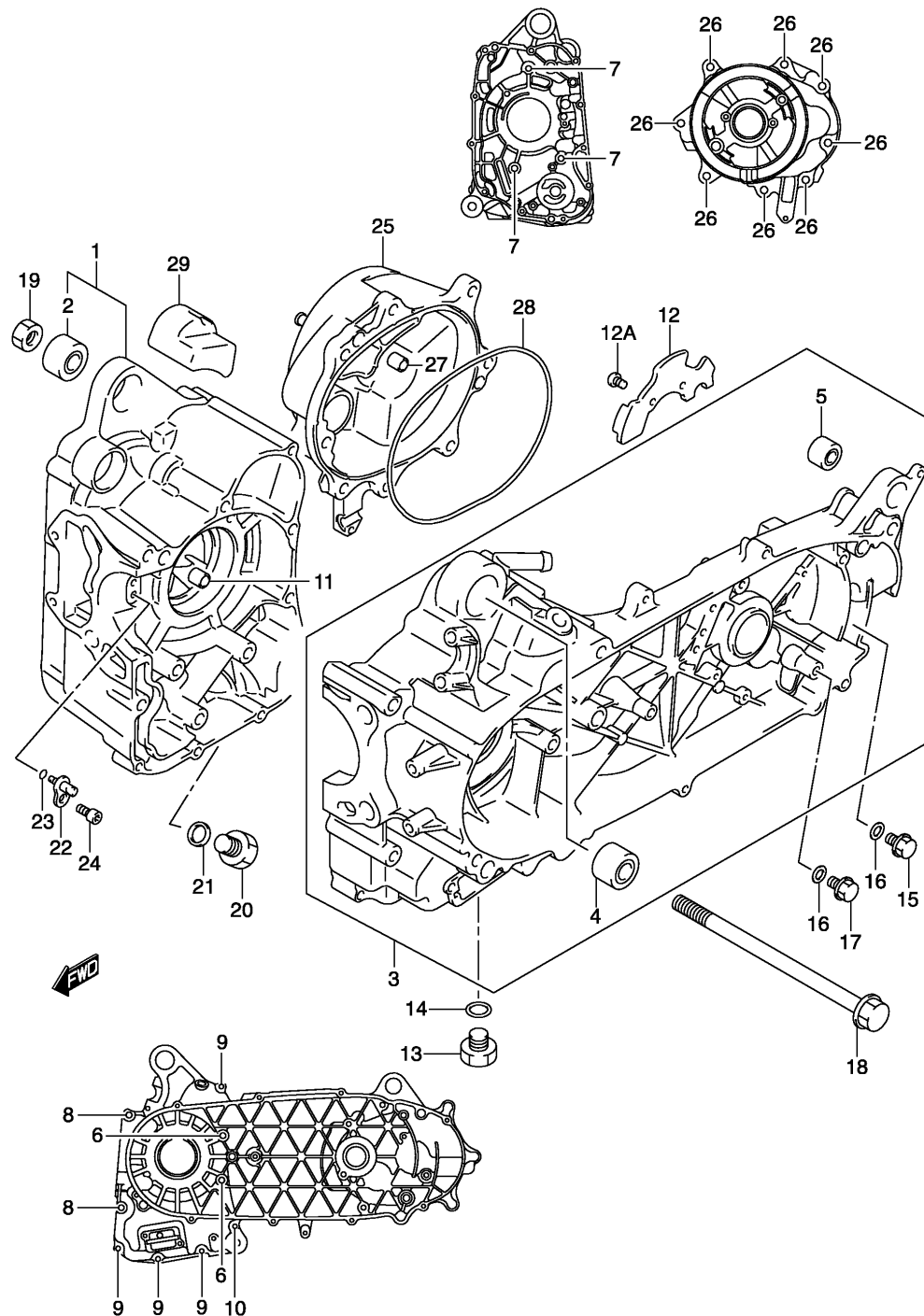




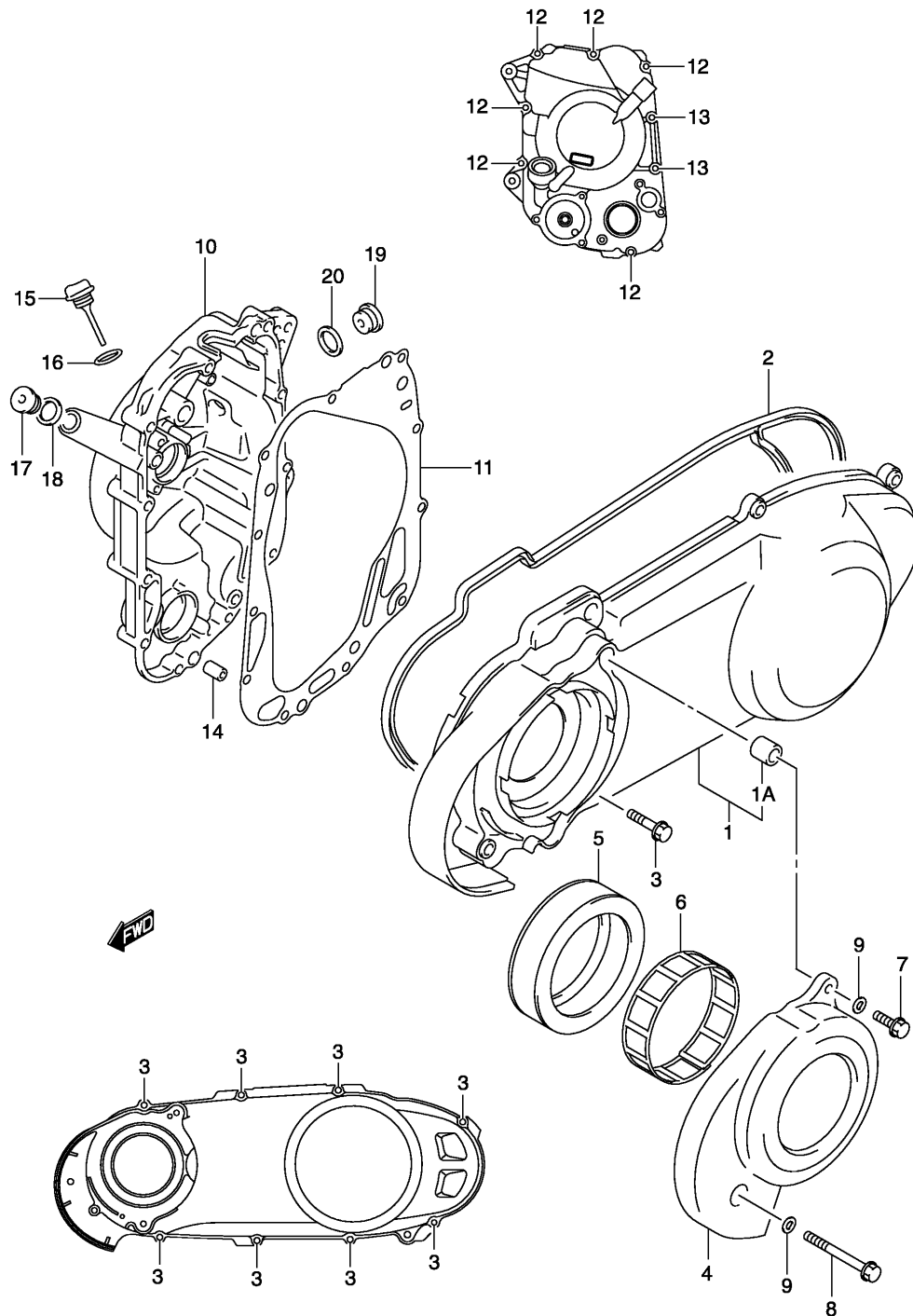
Ref No	Part No	Description
1	11100-49F00	Head Assy, Cylinder
2	09103-06026	. Bolt (6x39)
3	09103-06165	. Bolt (6x45)
4	09103-06064	. Bolt (6x60)
5	09206-08001	. Pin (6.2x8x11)
6	11115-14D71	Guide, Valve (os:0.3)
7	11141-21FA0	Gasket, Cylinder Head
8	09103-10276	Bolt (10x175)
9	09103-10281	Bolt (10x145)
10	01421-06253	Stud Bolt
11	08316-10063	Nut
12	09160-10082	Gasket (10.5x19x2)
13	04211-13189	Pin
14	09482-00456	Spark Plug (ngk, Cr8e)
14	09482-00457	Spark Plug (denso, U24esr-n)
14	09482-00516	Spark Plug (ngk, Cr7e)
14	09482-00515	Spark Plug (denso, U22esr-n)
14	09482-00458	Spark Plug (ngk, Cr9e)
14	09482-00459	Spark Plug (denso, U27esr-n)
15	13110-49F01	Pipe, Intake
16	09280-32006	O Ring (d:2.4, ld:31.7)
17	01550-06163	Bolt
18	09402-46208	Clamp
19	17661-49F00	Cover, Thermostat
20	17670-08D30	Thermostat, Water
21	01547-06203	Bolt
22	34850-21E00	Gauge Assy, Water Temperature

Ref No	Part No	Description
1	11210-21FA0-0F0	Cylinder
2	11241-21F00	Gasket, Cylinder
3	01421-06253	Stud Bolt
4	08316-10063	Nut
5	04211-13189	Pin

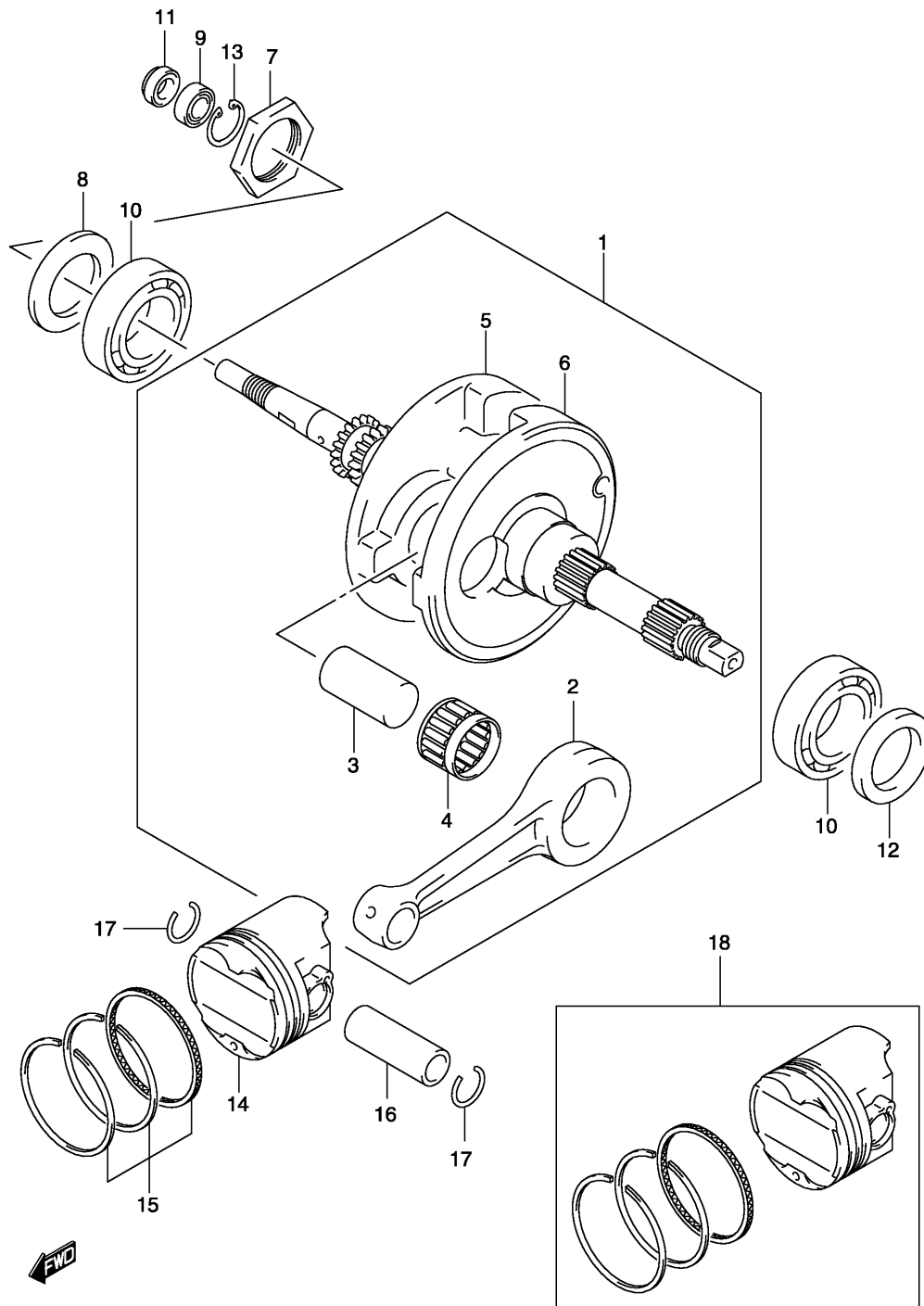




Ref No	Part No	Description
1	11310-21830	Crankcase Set, Rh
2	09319-12060	. Bush
3	11320-49810	Crankcase Set, Lh
4	09319-12060	. Bush
5	09319-10032	. Bush
6	07120-08853	Bolt
7	07120-08653	Bolt
8	07120-08753	Bolt
9	01547-06353	Bolt
10	01547-06553	Bolt
11	04211-11169	Pin, Crankcase
12	11323-06F11	Plate, Gear Box
12a	09125-06086	Screw
13	09247-14026	Plug, Oil Drain (14x12)
14	09168-14002	Gasket (13.8x18.8x0.4)
15	01550-08123	Bolt
16	09168-08016	Gasket (8.2x14x1)
17	01550-08123	Bolt
18	09103C12058J00	Bolt (12x215)
19	08310-00125	Nut
20	09247-12006	Plug (12x10)
21	09168-12002	Gasket (12.1x16.2x3.7)
22	11390-21F00	Jet, Piston Cooling
23	09280-04004	O Ring (d:1.2,id:4.0)
24	09106-06075	Bolt (6x12)
25	11430-21830	Cover Set, Gear Box
26	01550-08303	Bolt
27	04211-11169	Pin
28	09280-00029	O Ring
29	11186-49F00	Separator, Oil Breather

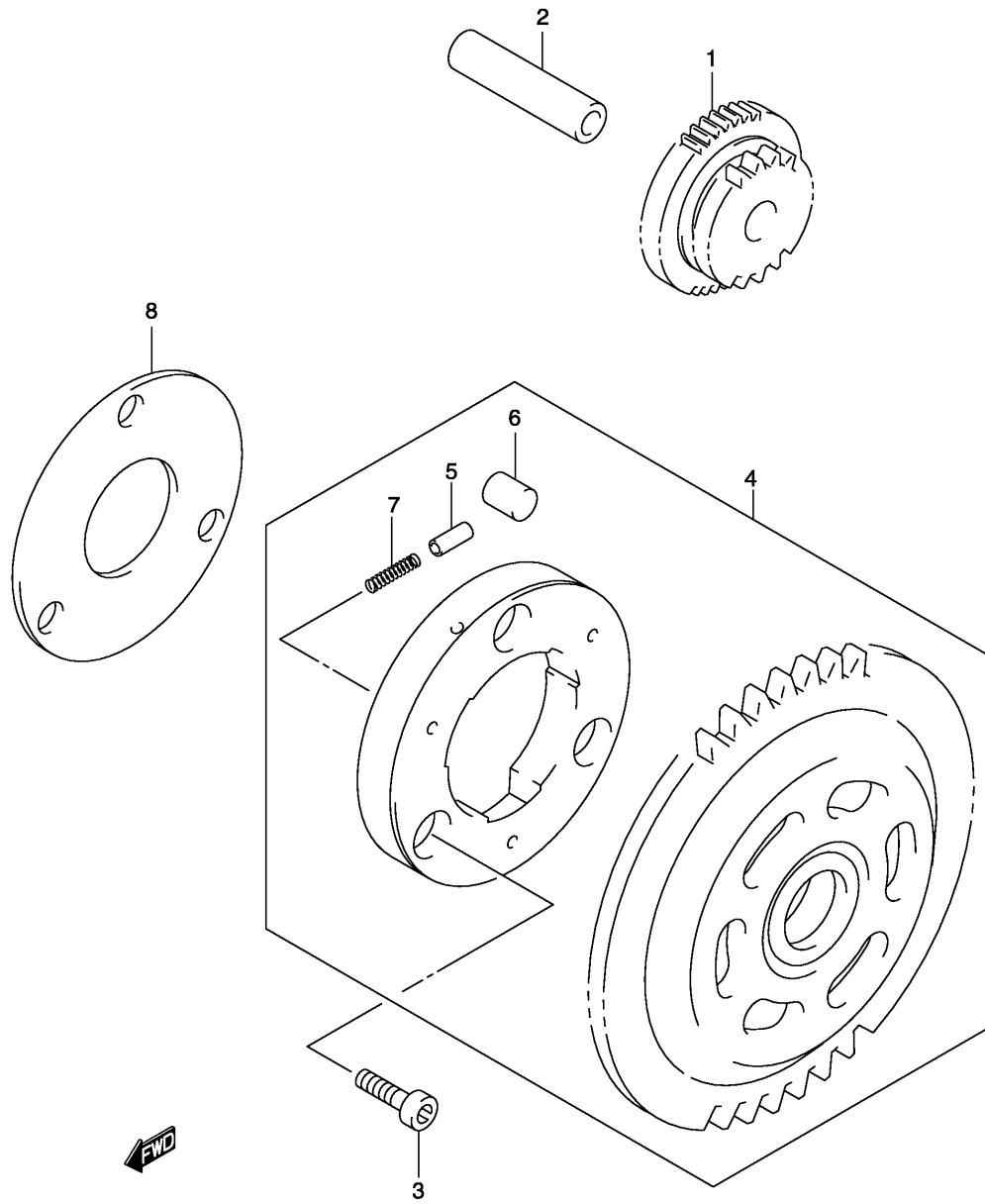


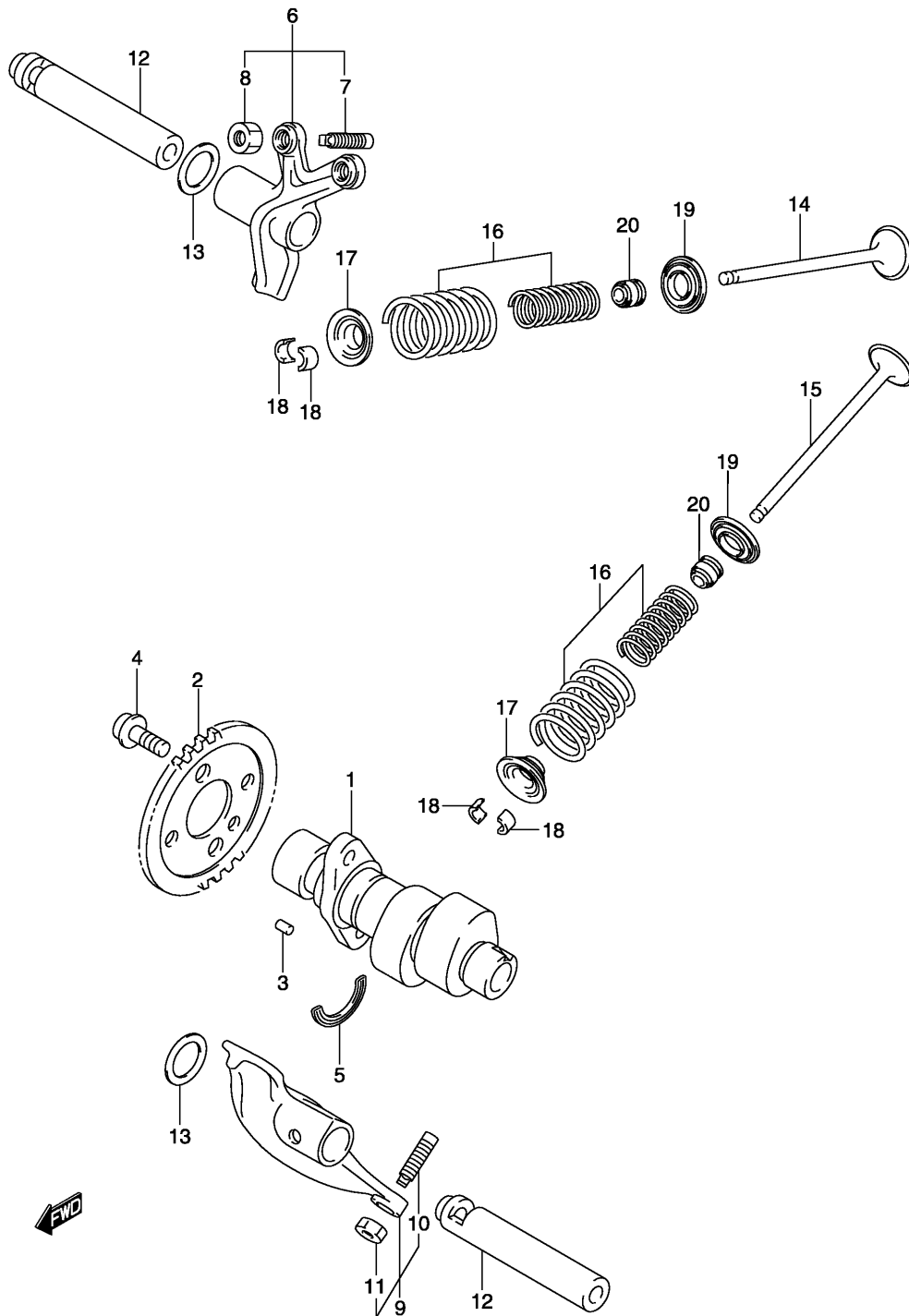
Ref No	Part No	Description
1	11340-49811	Cover, Clutch
1a	09180-06310	• . Spacer
2	11482-49F00	Gasket, Clutch Cover
3	01547-06253	Bolt
4	11380-21F00	Duct, Belt Cooling
5	11388-49F10	Filter, Belt Cooling
6	11389-14F00	Holder, Belt Cooling Filter
7	01547-06253	Bolt
8	01547-06603	Bolt
9	08322-01063	Washer
10	11351-49F00	Cover, Magneto
11	11483-21F00	Gasket, Magneto Cover
12	01547-06353	Bolt
13	01547-06453	Bolt
14	04211-09149	Pin
15	11971-14F00	Gauge, Oil Level
16	09280-17003	O Ring (d:3.1, Id:16.8)
17	09248-14005	Plug
18	09168-14002	Gasket (13.8x18.8x0.4)
19	09248-16012	Plug (16x8)
20	09168-16002	Gasket (16x22x2)



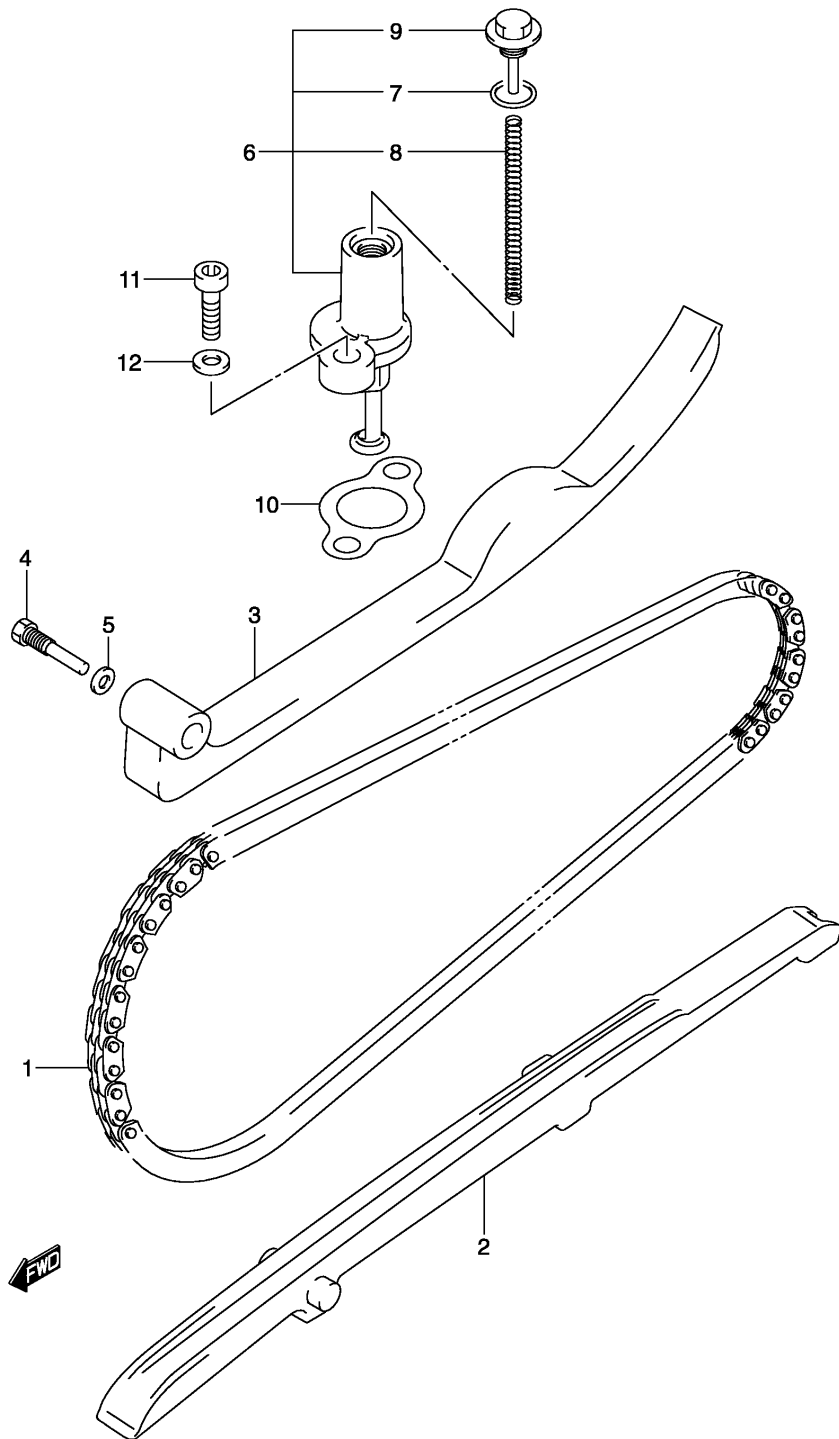
Ref No	Part No	Description
1	12200-49F50	Crankshaft Assy
2	12161-21F00-0B0	• . Connecting Rod
3	12210-05F00	• . Pin, Crank
4	09263-30048-0B0	• . Bearing (30x38x17)
5	12221-49F50	• . Crankshaft, Rh
6	12260-49F50	• . Crankshaft, Lh
7	12664-24B01	Nut
8	09181-35024	Shim, Crankshaft Rh
9	09262-12001	Bearing, Rh (12x28x8)
10	09262-35038	Bearing (35x72x17)
11	09282-12009	Oil Seal, Rh (12x21x7)
12	09283-34011	Oil Seal, Lh (34x52x6)
13	08331-41286	Circlip
14	12111-21F50-0F0	Piston
15	12140-21F50	Ring Set, Piston
16	12151-43400	Pin, Piston
17	09381-16001	Snap Ring
18	12100-21F60-050	Piston Set (os:0.5)

Ref No	Part No	Description
1	12611-49F00	Gear, Starter Idle
2	09206-12002	Pin (7x12x50.5)
3	07130-06163	Bolt
4	12600-21821	Clutch Set, Starter
5	12633-05300	. Piece, Starter Clutch Roller
6	09261-10003	. Roller
7	09440-03007	. Spring
8	12649-20E02	Shim, Starter Clutch Hub

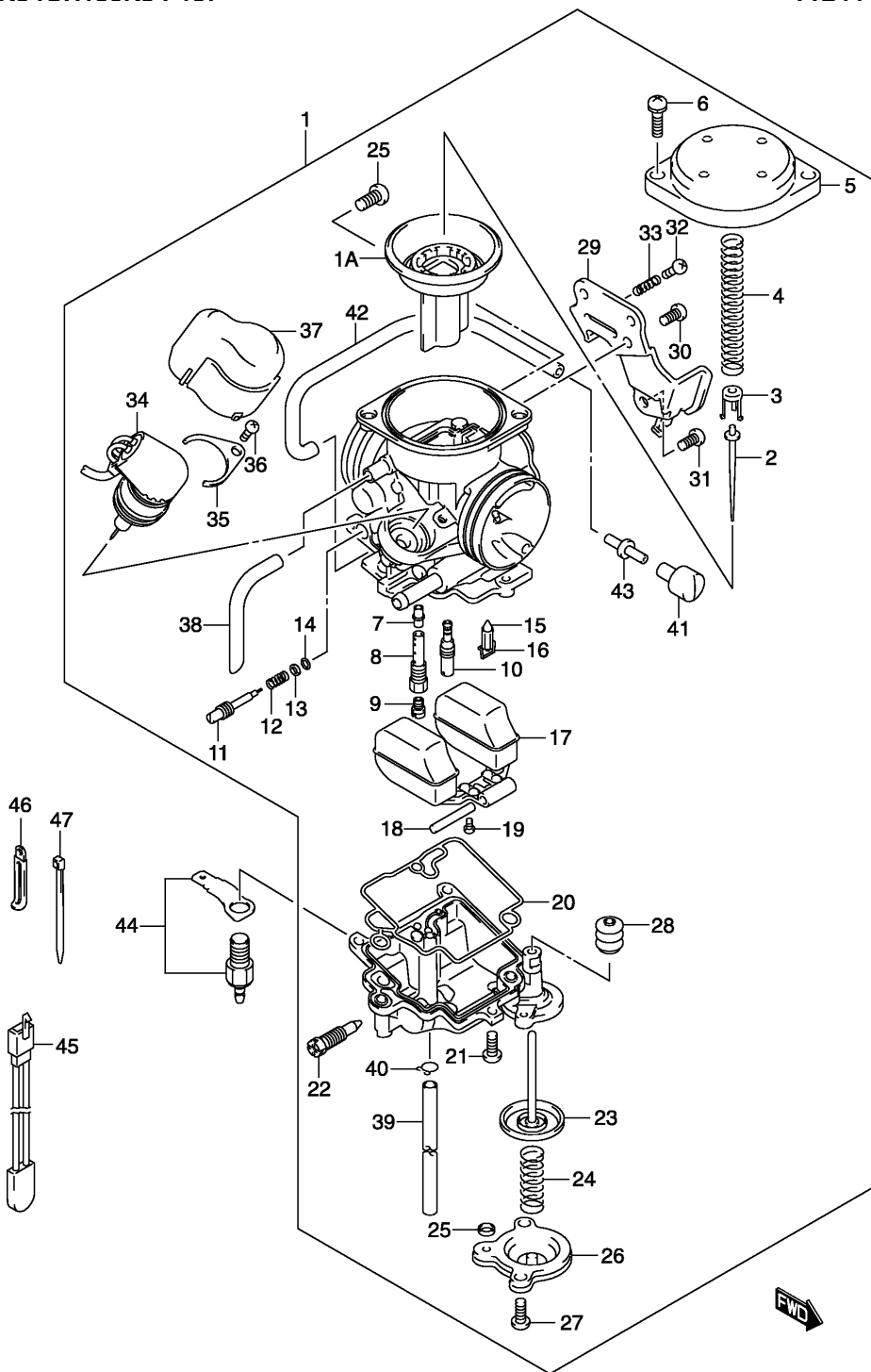




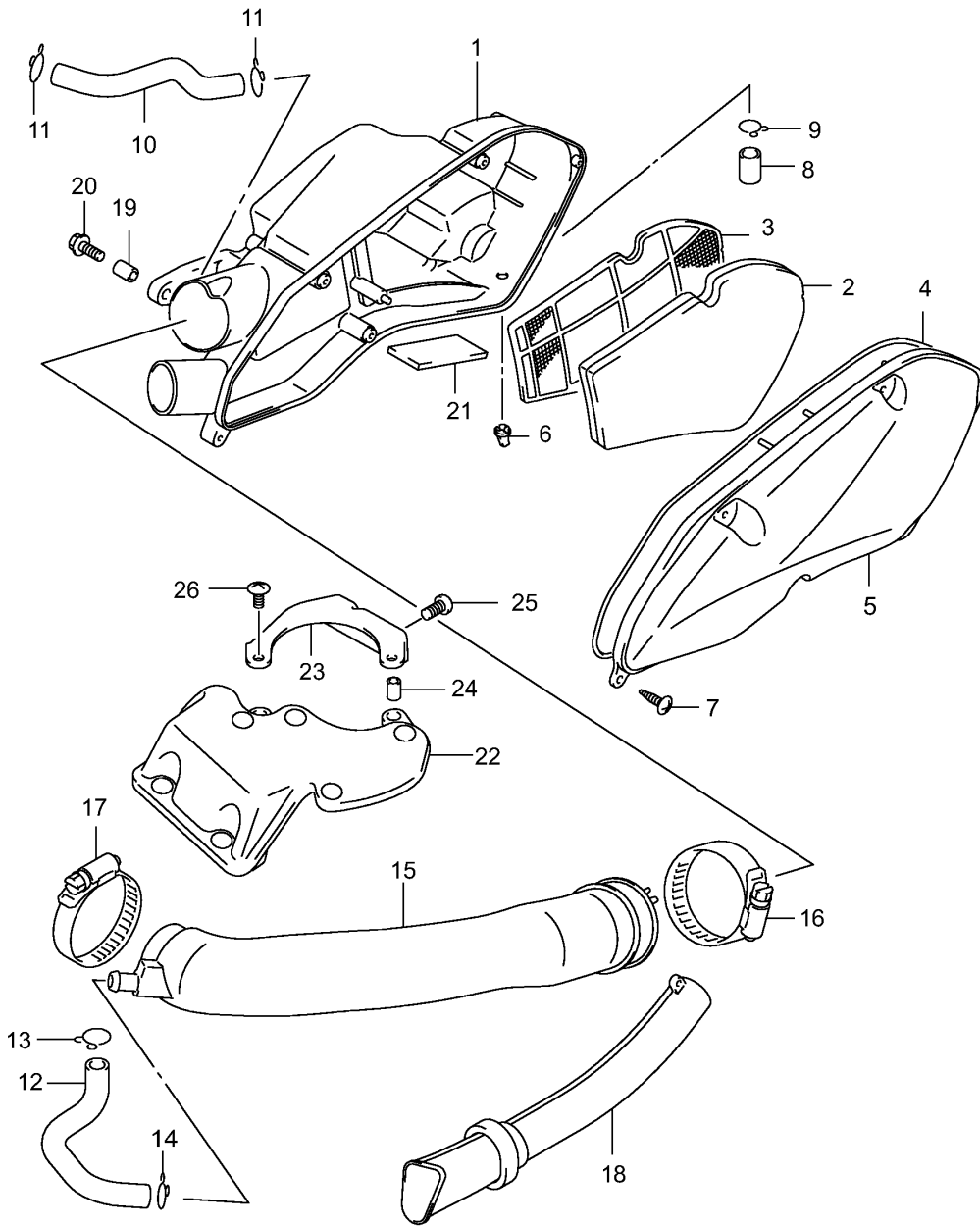
Ref No	Part No	Description
1	12710-21F60	Shaft, Cam
2	12741-04B01	Sprocket, Cam Shaft (nt:34)
3	09261-05005	Roller
4	07120-06103	Bolt
5	09390-22002	C Ring
6	12840-49F00	Arm, Valve Rocker,intake
7	12842-17C50	. Screw, Tappet Adjusting
8	12843-27A00	. Nut, Tappet Adjusting
9	12850-49F00	Arm, Valve Rocker,exhaust
10	12842-17C50	. Screw, Tappet Adjusting
11	12843-27A00	. Nut, Tappet Adjusting
12	12861-21F50	Shaft, Valve Rocker Arm
13	09164-12018	Washer, Valve Rocker Arm Shaft
14	12911-21F00	Valve, Intake
15	12912-21F00	Valve, Exhaust
16	12920-06B00	Spring Set, Valve
17	12931-27A20	Retainer, Valve Spring
18	12932-27A00	Cotter, Valve
19	12933-81400	Seat, Valve Spring
20	09289-05011	Oil Seal



Ref No	Part No	Description
1	12760-04B00	Chain, Cam Shaft Drive
2	12771-21F00	Guide, Cam Chain
3	12811-21F00	Tensioner, Cam Chain
4	12812-32410	Bolt, Cam Chain Tensioner
5	09168-08016	Gasket (8.2x14x1)
6	12830-02A00	Adjuster Assy, Tensioner
7	12832-02A00	• O Ring
8	12833-02A00	• Spring
9	12834-02A00	• Plug, Adjuster
10	12837-19B10	Gasket, Tensioner Adjuster
11	07130-06203	Bolt
12	09168-06023	Gasket, Tensioner Adjuster Bol

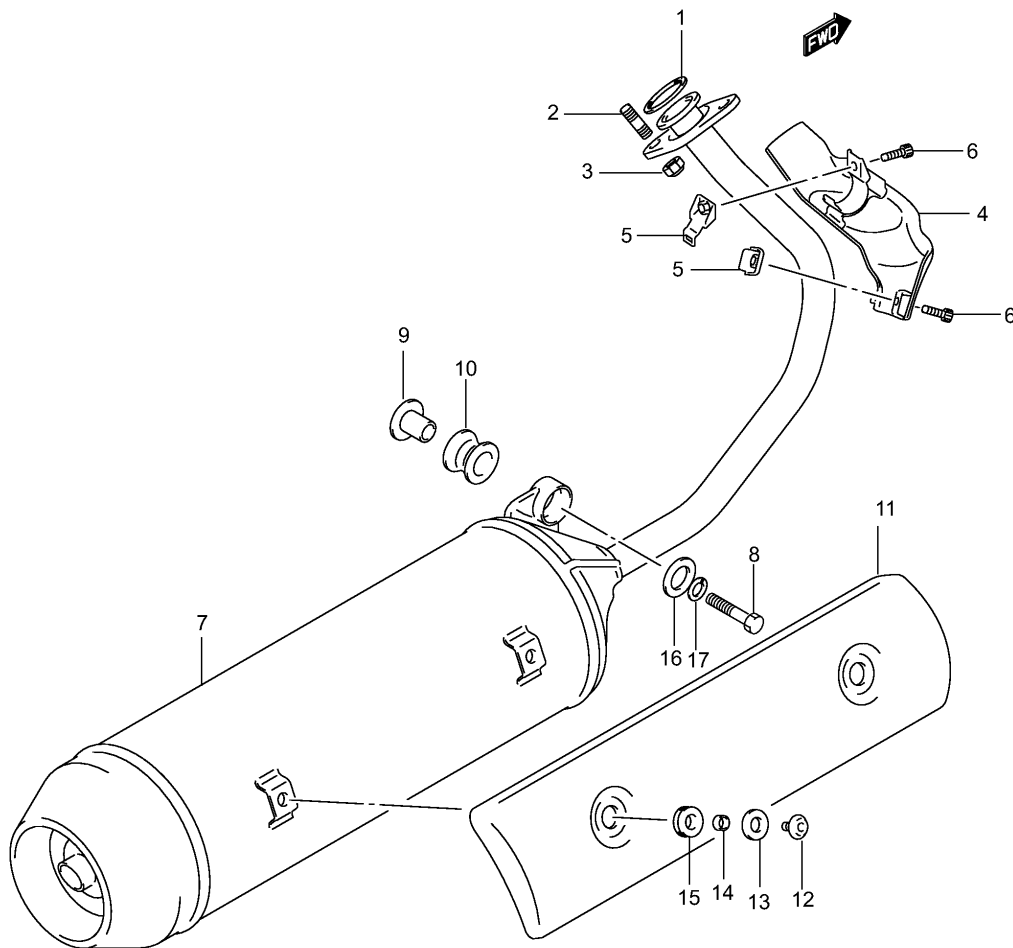


Ref No	Part No	Description
1	13200-49FA0	Carburetor Assy
1a	13500-20EK0	. Diaphragm Assy
2	13383-49FA0	. Needle, Jet (n425-cna00)
3	13382-14F00-X00	. Seat
4	13503-49F00	. Spring
5	13502-20EK0	. Cover, Diaphragm
6	13601-11F00-X00	. Screw
7	13341-34F50	. Jet, Needle (n426-36630)
8	13342-49FA0	. Holder Needle Jet
9	09491-22026	. Main Jet (#112)
10	09492-35027	. Pilot Jet (n424-51b35)
11	13279-49FA0	. Adjust Screw
12	13271-14F00-X00	. Spring
13	13291-26E00-X00	. Washer
14	13295-26E00-X00	. O Ring
15	13370-26E00-X00	. Valve Assy, Needle
16	13375-26E00-X00	. Clip
17	13250-14F00-X00	. Float
18	13254-26E00-X00	. Pin, Float
19	13602-43E00-X00	. Screw
20	13258-14F00-X00	. Packing
21	02112-04127-X00	. Screw
22	13247-11F00	. Screw, Drain
23	13491-20EK0	. Diaphragm Assy
24	13494-14F00-X00	. Spring
25	13497-14F00-X00	. U Ring
26	13488-14F00-X00	. Cover
27	02112-04107-X00	. Screw
28	13499-14F00-X00	. Cap
29	13565-49F01	. Plate
30	02142-05087-X00	. Screw
31	02142-05147-X00	. Screw
32	13267-26E10-X00	. Screw
33	13271-26E10-X00	. Spring
34	13430-49F00	. Element Assy, Thermo
35	13428-06F30-X00	. Plate
36	02112-14087-X00	. Screw
37	13433-06F30-X00	. Cover
38	13683-14F00-X00	. Hose
39	13684-49F00	. Pipe
40	09401-05402-X00	. Clip
41	13674-49F00	. Filter
42	13683-49F01	. Pipe
43	13685-49F00	. Joint
44	13650-49F00	Heater Assy, Carburetor (35w)
44	13650-20E00	Heater Assy, Carburetor (25w)
44	13650-49F10	Heater Set, Carburetor
45	13655-16F00	Switch, Carb Heater Thermo
45	13655-25E00	Switch, Carb Heater Thermo
46	09407-14407	Clamp, Carb Starter Air
47	D9436-01425	Clamp, Carb Overflow Hose (l:1)

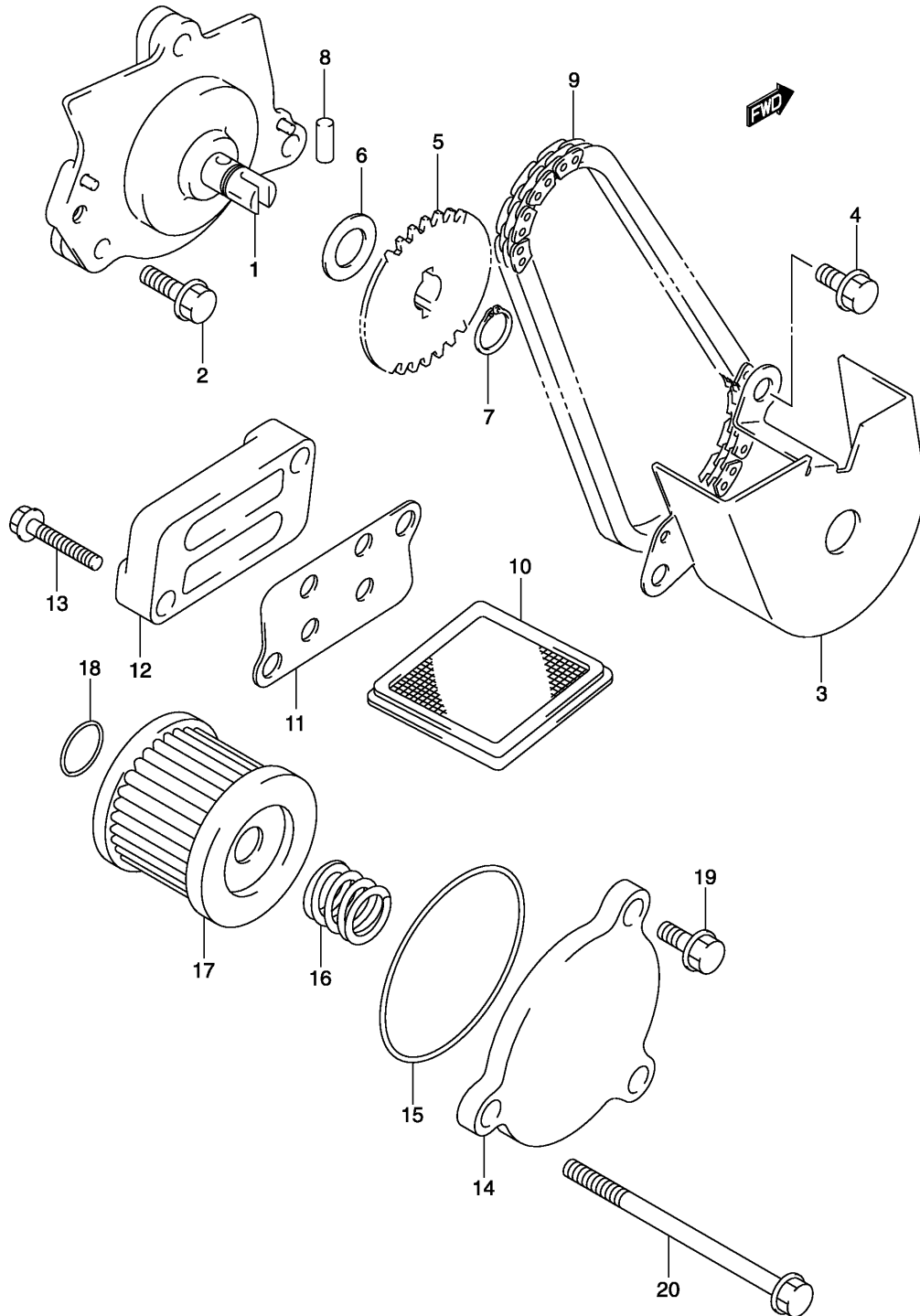


Ref No	Part No	Description
1	13720-49F00	Case Comp, Cleaner
2	13780-49F00	Filter Comp, Air Cleaner
3	13810-49F00	Trap Comp, Flame
4	13746-49F00	Gasket, Air Clnr
5	13741-49F00	Cap, Air Cleaner
6	13092-09E00	Tube, Drain
7	03141-05165	Screw
8	13854-47D50	Plug
9	D9500-0159P	Clip
10	13853-49F00	Tube, Breather
11	D9500-0159P	Clip
12	13739-49F00	Tube Chamber
13	D9500-0196P	Clip
14	D9500-0159P	Clip
15	13880-49F00	Tube Assy, Outlet
16	D8391-12504	Clamp
17	D8391-12324	Clamp
18	13891-49F00	Tube, Inlet
19	13912-20E00	Collar
20	D1557-06255	Bolt
21	13737-49F00	Cushion Box No. 1
22	13710-49F00	Chamber, Air Cleaner
23	13761-49F00	Plate, Chamber
24	13838-49F00	Collar
25	D2116-05105	Bolt
26	02142-05105	Screw

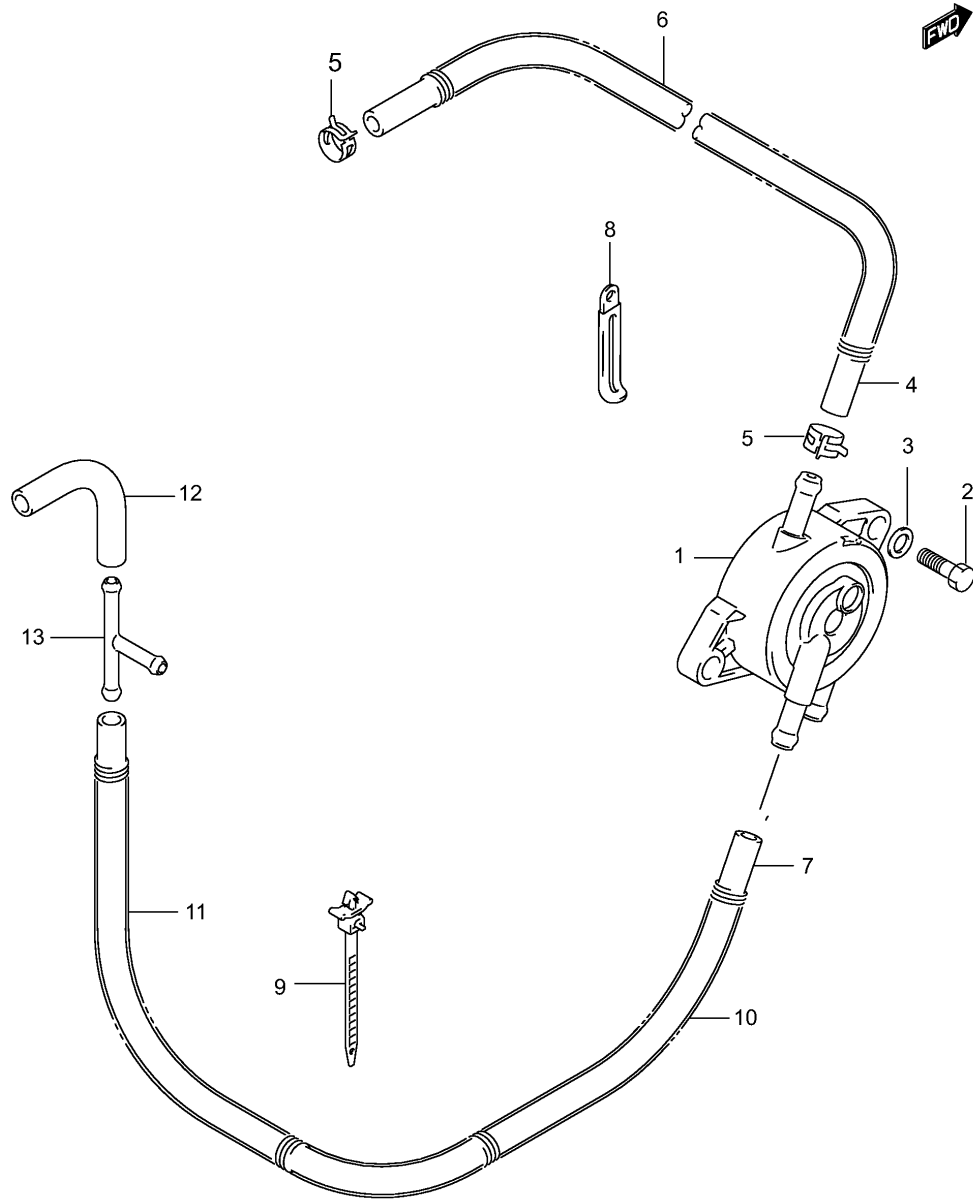




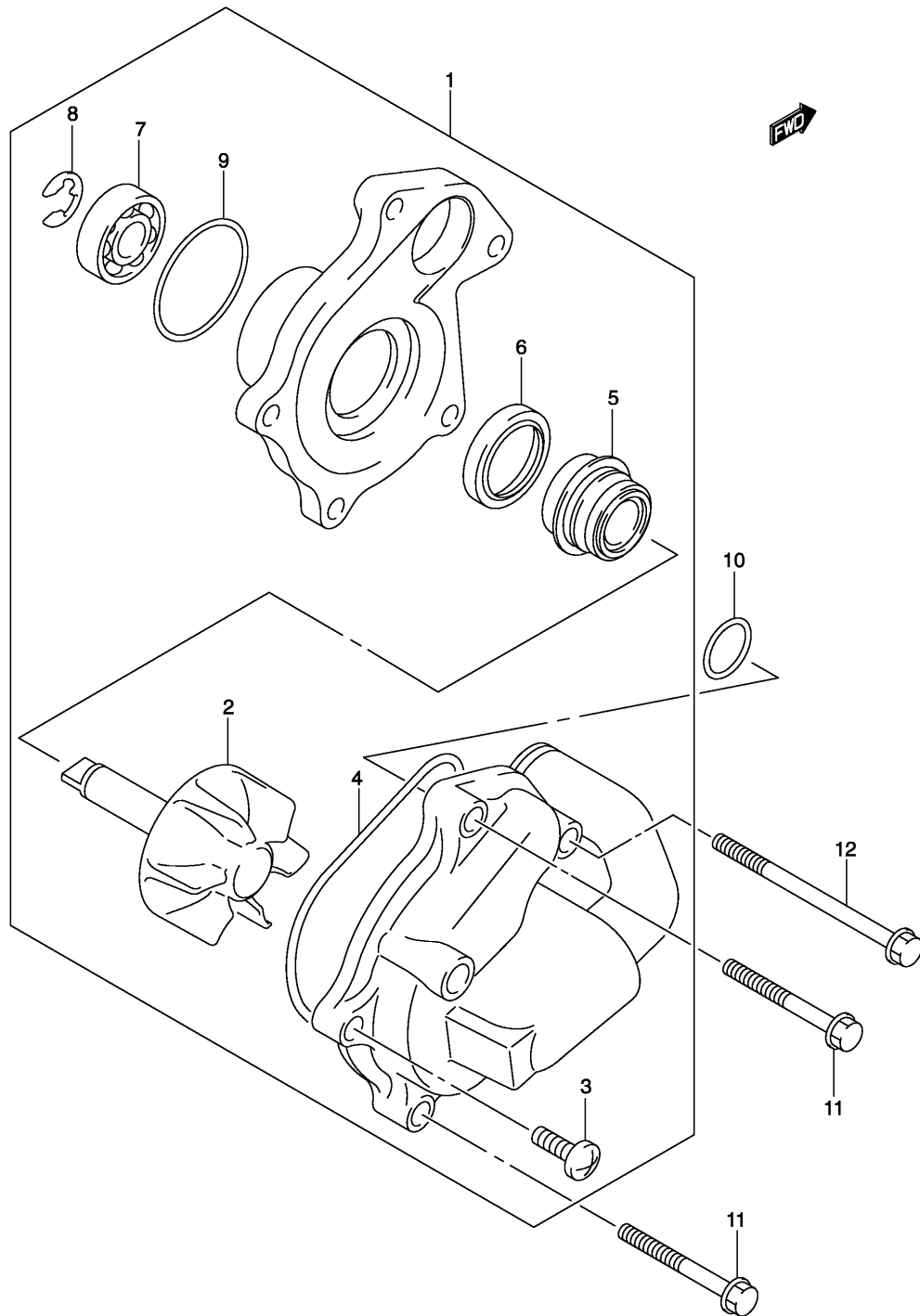
Ref No	Part No	Description
1	14181-37D10	Gasket, Exhaust Pipe
2	01421-08163	Bolt, Stud
3	D8319-60085	Nut, Exhaust Pipe
4	14180-49F00	Cover, Exhaust Pipe
5	14185-49F00	Clamp, Exhaust Pipe
6	D7107-05125	Bolt, Clamp
7	14310-49F01-E02	Body, Muffler
8	D1507-08355	Bolt, Muffler Support
9	14773-49F00	Spacer, Muffler Support
10	09320-12035	Cushion, Muffler Support
11	14780-49F00	Cover, Muffler
12	09139-06091	Screw (6x12)
13	D8322-91068	Washer
14	09180C06306J000	Spacer (6.5x9x5)
15	09320C08051J000	Cushion
16	09160C08032JE0N	Washer
17	D8321-01085	Washer



Ref No	Part No	Description
1	16400-49F00	Pump Assy, Engine Oil
2	01547-06253	Bolt
3	16422-49F00	Cover, Oil Pump
5	16331-14F00	Sprocket, Oil Pump Driven
6	09181-10158	Shim
7	08331-31106	Circlip
8	09261-04009	Pin (4x15.8)
9	16310-14F00	Chain Assy, Oil Pump Drive
10	16520-09402	Strainer, Engine Oil
11	16524-20E00	Gasket, Oil Strainer Cap
12	16523-20E00	Cap, Oil Strainer
13	01547-06253	Bolt
14	16512-47E00	Cap, Oil Filter
15	09280-54001	O Ring (d:2.4, Id:52.6)
16	09440-18002	Spring
17	16510-05240	Filter, Engine Oil
18	09280-13004	O Ring (d:1.9, Id:13)
19	01547-06163	Bolt
20	01547-06653	Bolt

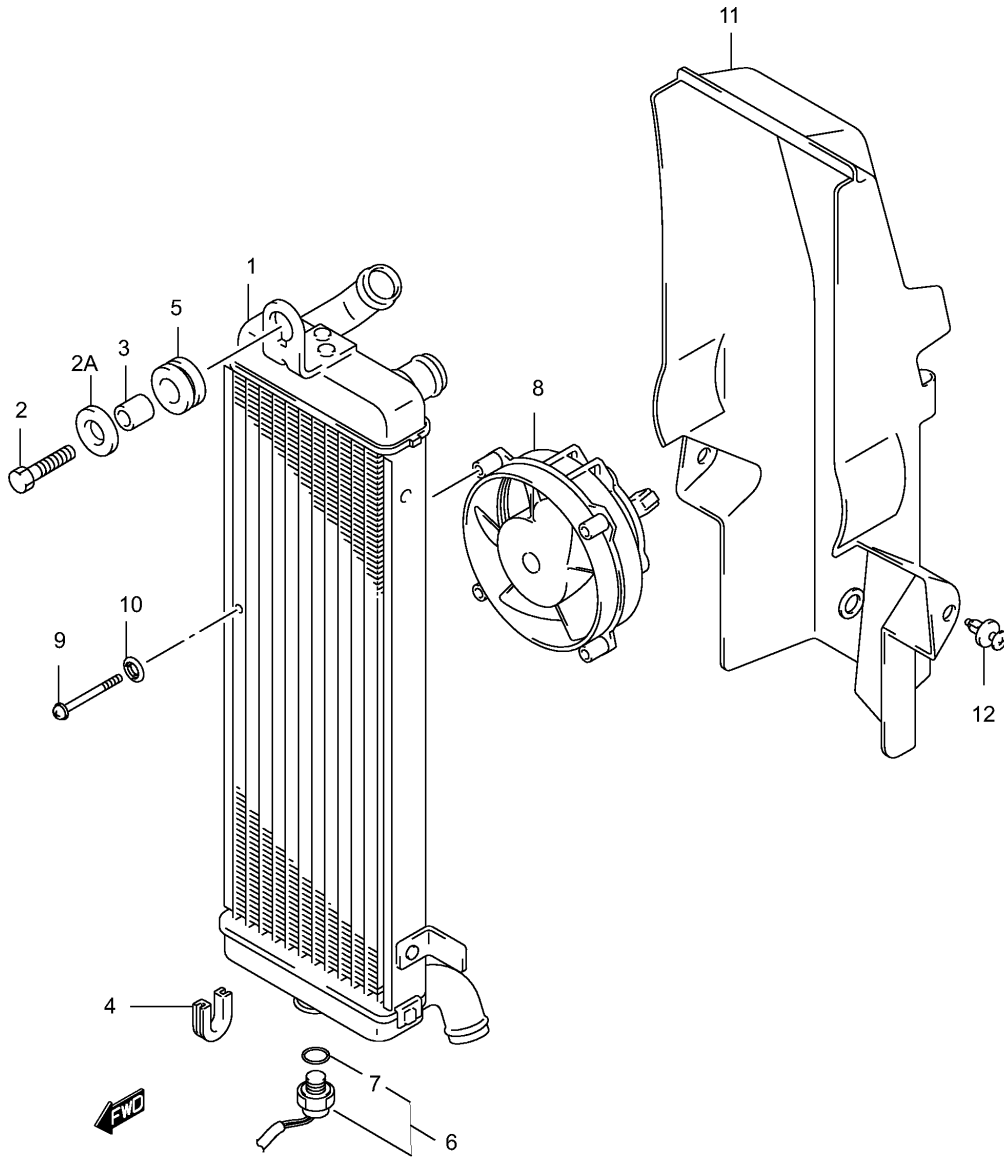


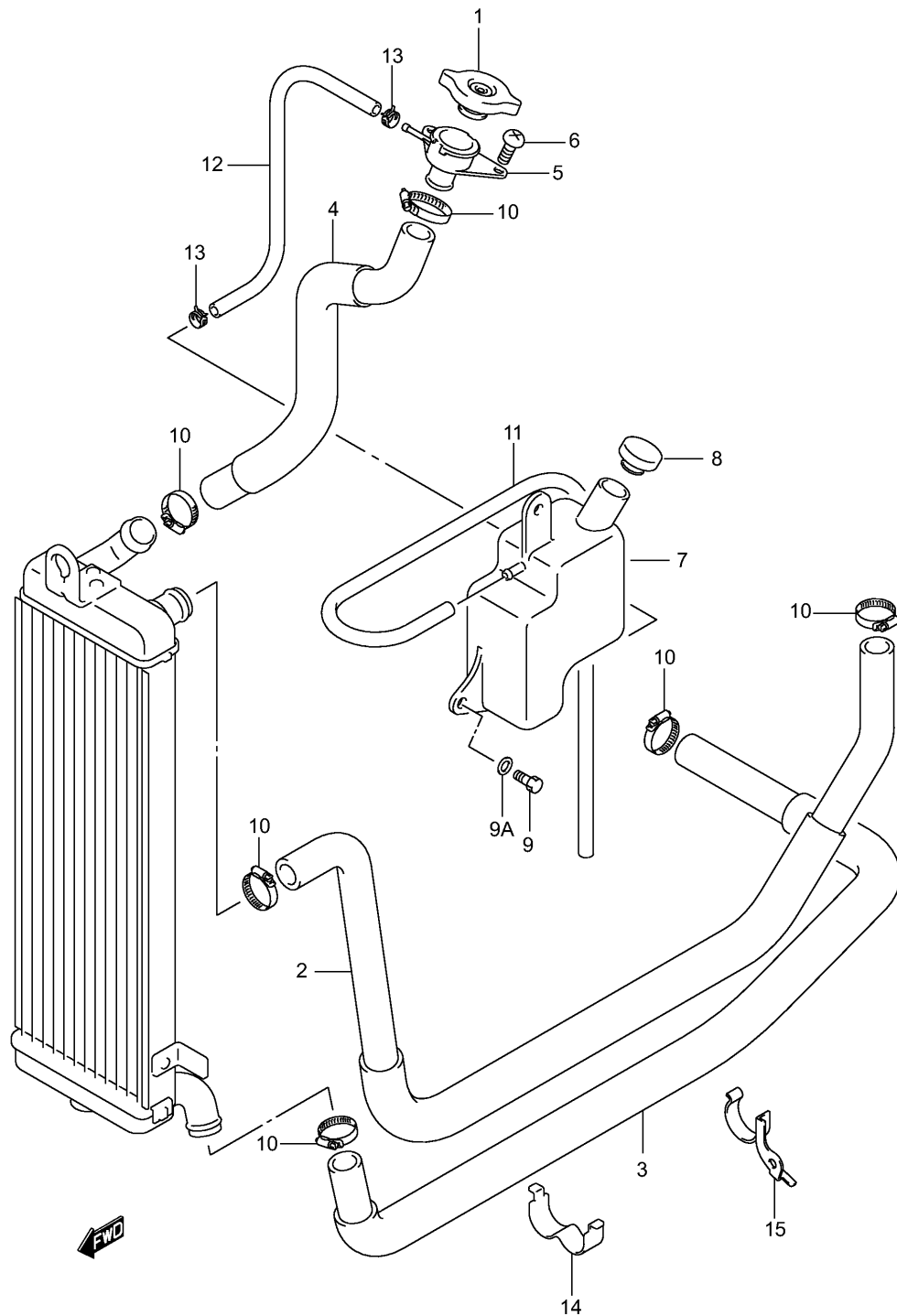
Ref No	Part No	Description
1	15100-49F00	Pump Assy, Fuel
2	D1507-06205	Bolt (6x20)
3	D8322-01065	Washer
4	15801-07E00	Hose, Fuel
5	D9510-0115P	Clip
6	09440C13027J000	Spring (l:470)
7	09355C50105J660	Hose (5x10x660)
8	09407-07E00	Clamp, Vacuum Hose
9	09404C06433JEE3	Clamp
10	09440C13027J000	Spring, Vacuum Hose (l:470)
11	09440C13017J000	Spring, Vacuum Hose (l:200)
12	09355C50105J040	Hose, Vacuum No.2
13	09367C06008J000	Joint, Vacuum Hose 3way



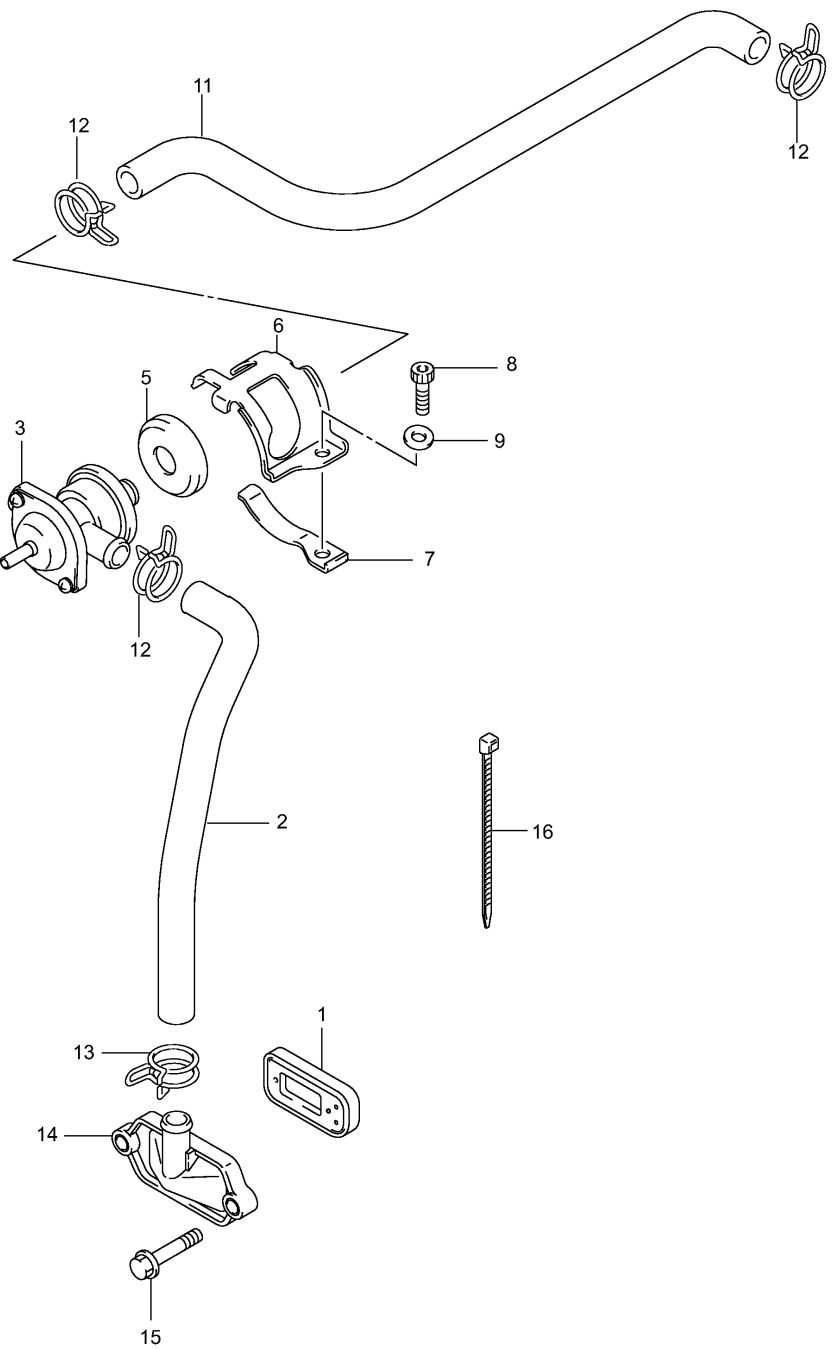
Ref No	Part No	Description
1	17400-21F11	Pump Assy, Water
2	17491-21F00	• Impeller
3	02112-06163	• Screw
4	17418-14F00	• O Ring
5	17470-02F00	• Mechanical Seal
6	09283-10004	• Oil Seal
7	09262-10014	• Bearing
8	08332-11086	• E Ring
9	17435-33400	• O Ring
10	09280-22001	O Ring (d:2.4,id:21.8)
11	01547-06353	Bolt
12	01547-06553	Bolt

Ref No	Part No	Description
1	17710-49F00	Radiator Assy, Water
2	D1507-06255	Bolt (6x25)
2a	D8322-91065	Washer
3	09180C06310J000	Spacer (6.5x10x10)
4	16628C27A00J000	Cushion, Radiator Lower
5	09320C10501J000	Cushion
6	17680-45D00	Switch, Radiator Fan
7	17689-50F00	• O Ring
8	17800-49F00	Fan Assy, Radiator
9	09689-E0002	Screw, Radiator Fan
10	09689-E0003	Washer
11	17761-49F00	Duct, Radiator
12	09409-06322-5PK	Clip

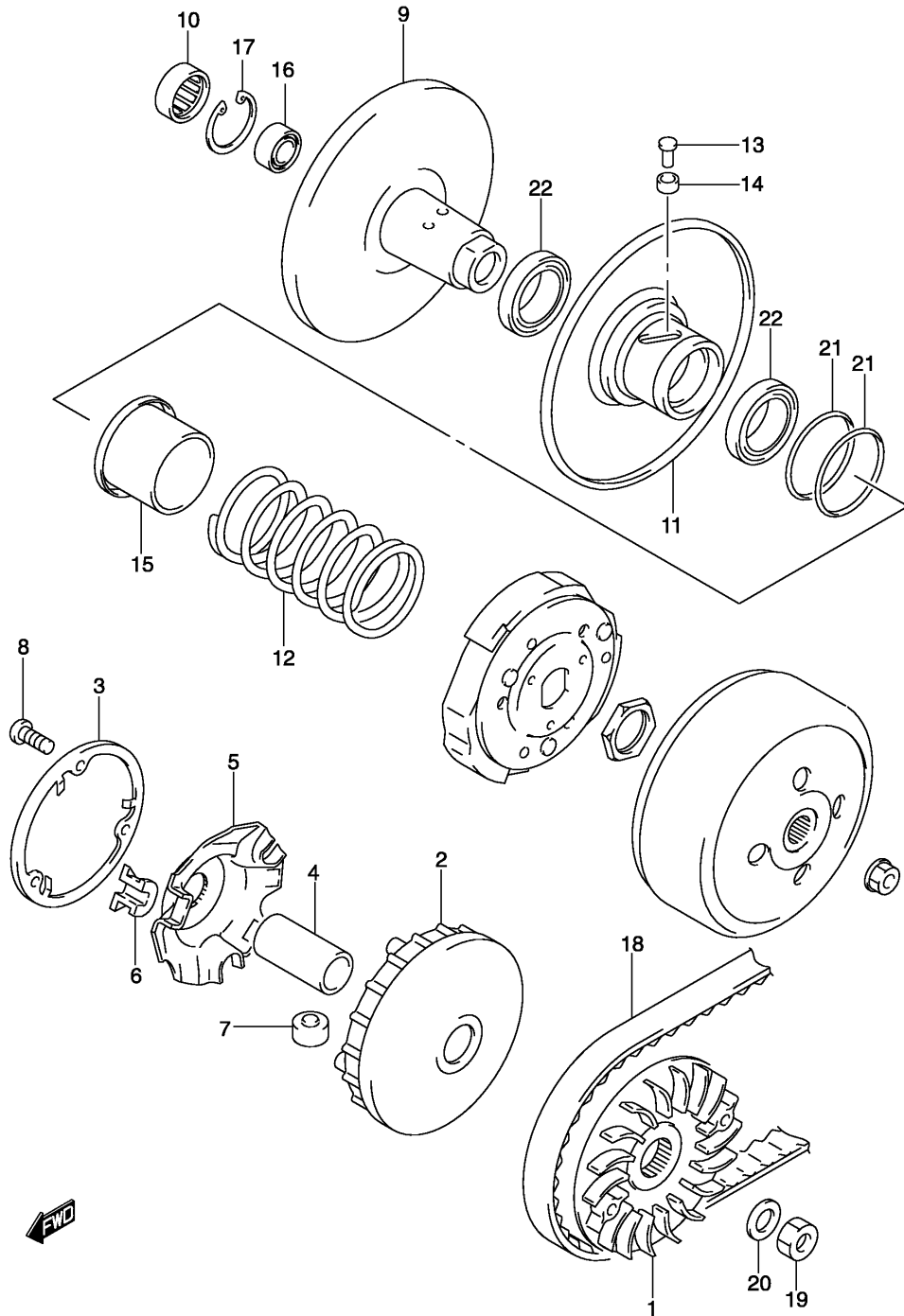




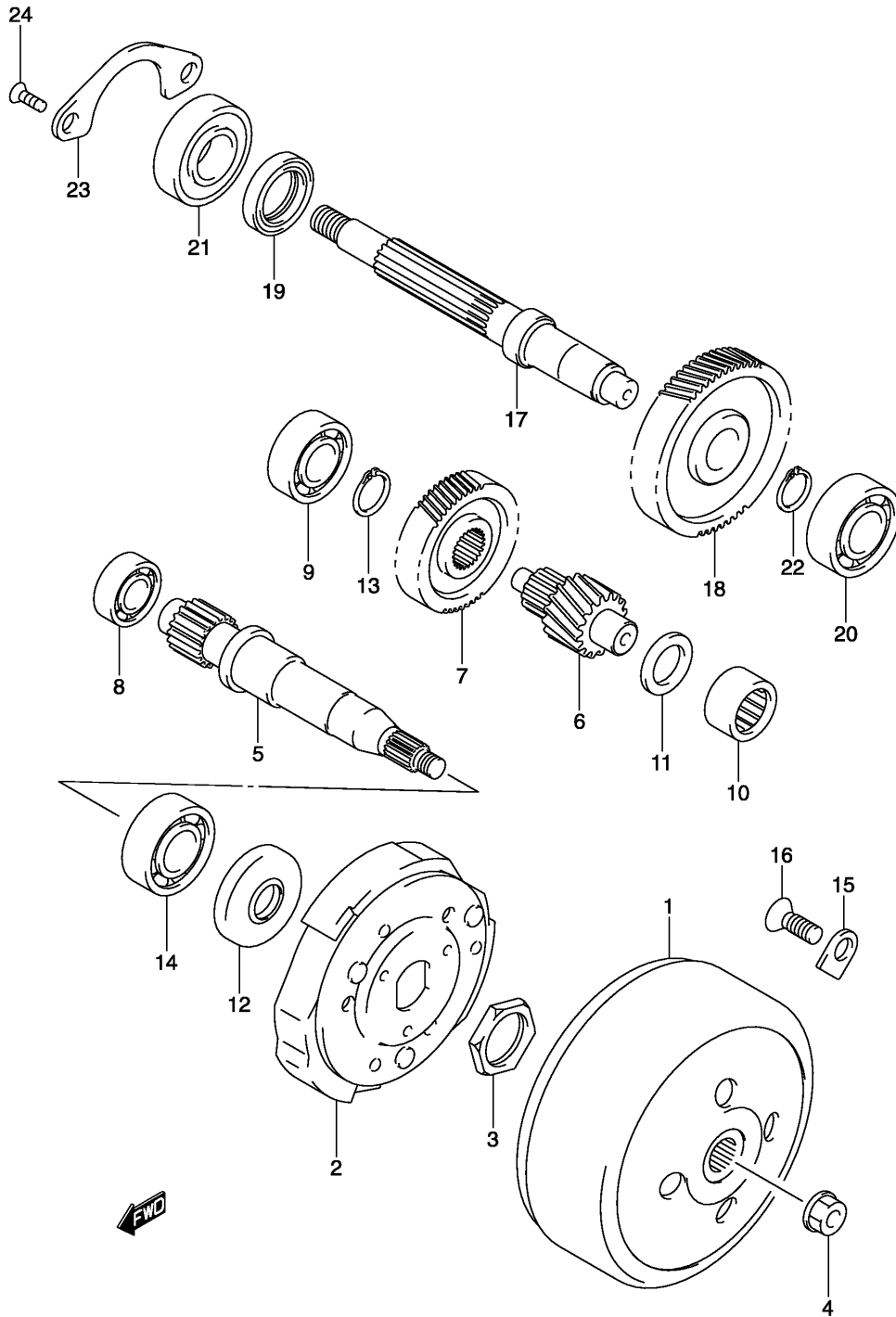
Ref No	Part No	Description
1	17730-49F00	Cap, Radiator
2	17851-49F00	Hose, Radiator Inlet
3	17852-49F00	Hose, Radiator Outlet
4	17855-07E00	Hose, Conduction
5	17791-49F00	Conduction, Radiator
6	D2116-06165	Screw
7	17911-49F00	Tank, Reservoir
8	17932C12C00J000	Cap, Reservoir Tank
9	D1507-06125	Screw
9a	D8322-01065	Washer
10	D8391-12164	Clamp
11	17981C12C00J000	Hose, Reservoir Tank Overflow
12	17981-07E00	Hose, Reservoir Tank Inlet
13	D9510-0104P	Clip
14	17859-07E00	Plate, Water Hose Clamp
15	17858-49F00	Clamp, Radiator Hose



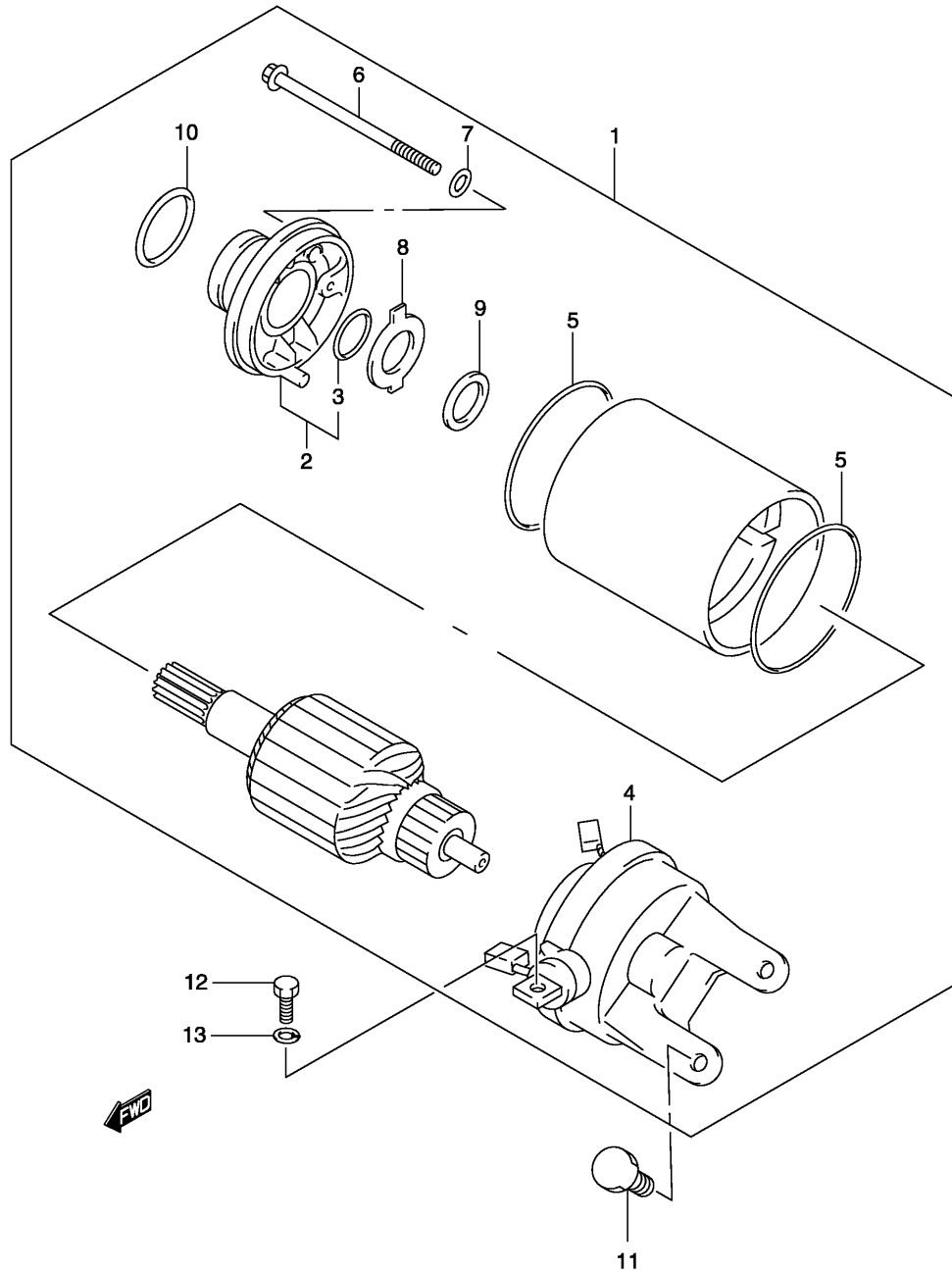
Ref No	Part No	Description
1	18450-06G00	Valve Assy, 2nd Air Reed
2	18461-49F00	Hose, 2nd Air Valve
3	18510-49F00	Valve Assy, Air Cut
4	18516C35F00J000	Cushion, 2nd Air Valve
5	18517C35F00J000	Cushion, 2nd Air Valve Rr
6	18611-49F00	Bracket, 2nd Air Valve Upper
7	18612-49F00	Bracket, 2nd Air Valve Lower
8	D7107-06165	Bolt, 2nd Air Valve
9	D8322-01065	Washer
10	09355C35755J100	Hose, 2nd Air Valve Vacuum
11	18711-49F00	Hose, 2nd Air Cleaner
12	D9500-0177P	Clip, 2nd Air Cleaner Hose
13	D9500-0168P	Clip, 2nd Air Cleaner Hose
14	18531-49F00	Cap, 2nd Air Reed Valve
15	01550-06203	Bolt, 2nd Air Cover
16	D9436-01425	Clamp



Ref No	Part No	Description
1	21110-21F01	Face, Fixed Drive
2	21120-21F01	Face, Movable Drive
3	21122-21F00	Cover, Movable Drive Face
4	21125-21F00	Spacer, Movable Drive
5	21431-21F50	Plate, Movable Drive
6	21481-14F00	Damper, Movable Drive Plate
7	21650-21F30	Roller, Movable Drive
8	02142-04103	Screw, Movable Drive
9	21210-21F30	Face, Fixed Driven
10	21214-35E00	Bearing, Fixed Driven Rh
11	21240-21F10	Face, Movable Driven
12	21243-21F30	Spring, Movable Driven
13	21248-16F00	Pin, Movable Driven
14	21249-06F00	Spacer, Movable Driven Pin
15	21471-03A61	Sheet, Movable Driven
16	09262-12018	Bearing, Fixed Drive Lh (12x24)
17	08331-41246	Circlip, Fixed Driven
18	27601-21F11	V Belt
19	09140-16001	Nut, Fixed Drive Face
20	09164-16005	Washer, Fixed Drive Face
21	09280-41005	O Ring (d:15,id:39.7)
22	09284-34002	Seal (34x39x3)



Ref No	Part No	Description
1	21220-20E01	Housing, Clutch
2	21501-20E31	Clutch Assy, Shoe
3	09140-28004	Nut, Shoe Clutch
4	09159-10110	Nut, Clutch Housing
5	24131-21F02	Shaft, Drive (nt:16)
6	24151-21F12	Shaft, Idle (nt:15)
7	24381-21F01	Gear, Idle Driven (nt:45)
8	09262-15031	Bearing, Drive Shaft Rh (15x35)
9	09262-12023	Bearing, Idle Shaft Rh (12x32x)
10	09263-16032	Bearing, Idle Shaft Lh (16x24x)
11	08211-16301	Washer, Idle Shaft Lh
12	09283-25097	Seal, Drive Shaft Oil (25x37x6)
13	08331-31206	Circlip, Idler Driven
14	09262-25126	Bearing, Drive Shaft Lh (20x47)
15	24741-20A00	Retainer, Drive Shaft
16	09126-06014	Screw (6x16)
17	24141-21F60	Shaft, Rear Axle
18	24371-21F10	Gear, Final Driven (nt:64)
19	64841-28E00	Seal, Axle Shaft Oil
20	08110-62030	Bearing, Axle Shaft Lh
21	09262-22027	Bearing, Axle Shaft Rh (22x50x)
22	08331-31226	Circlip, Final Driven Gear
23	24751-07900	Retainer, Axle Shaft Bearing
24	02122-06163	Screw, Bearing Retainer



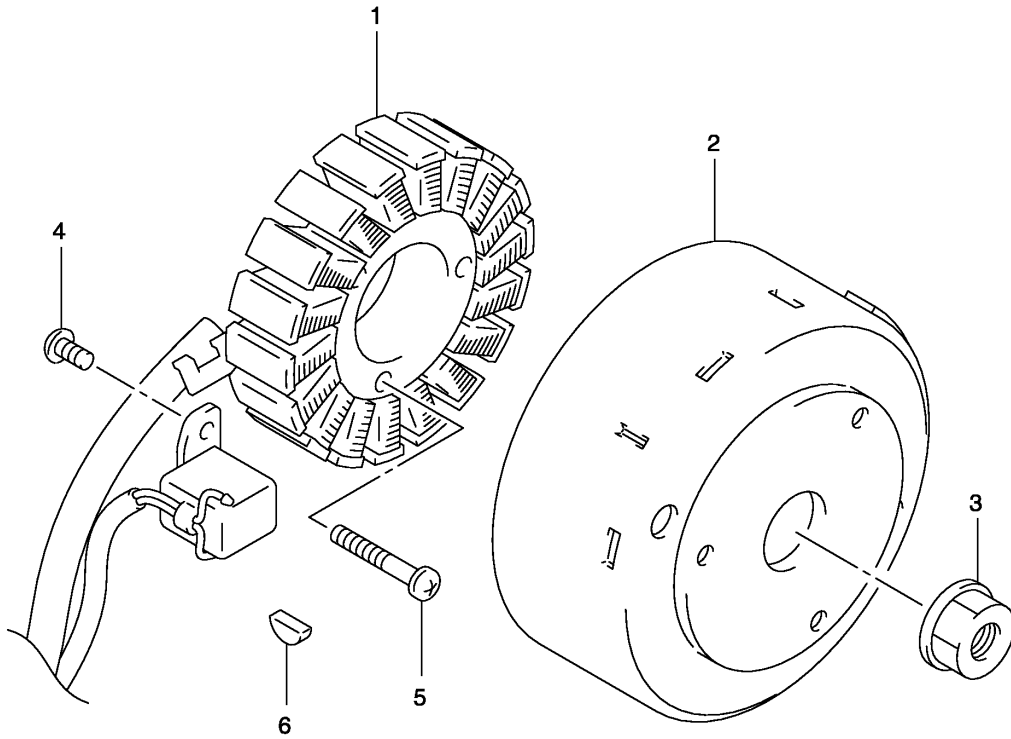
Ref No

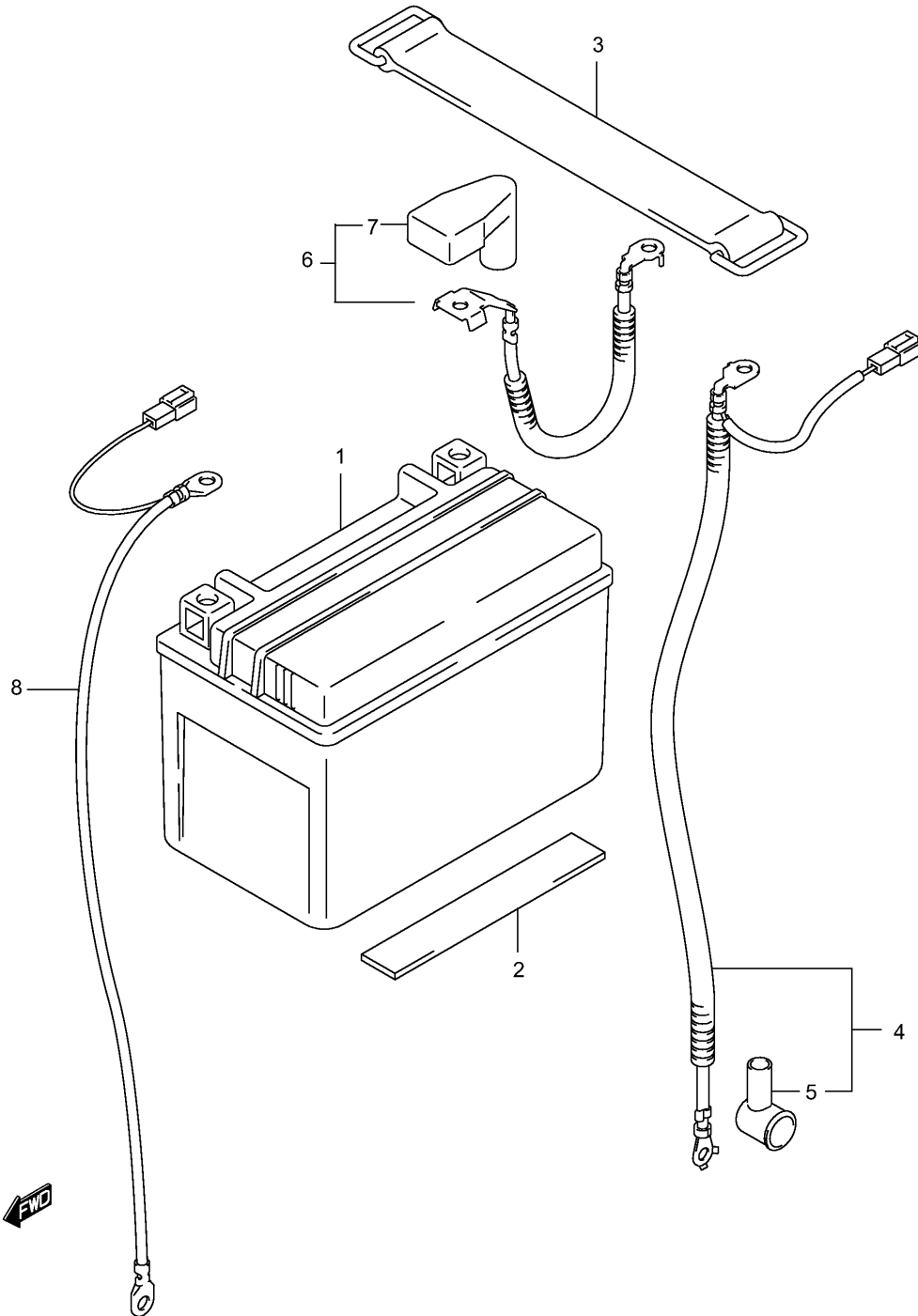
Part No

Description

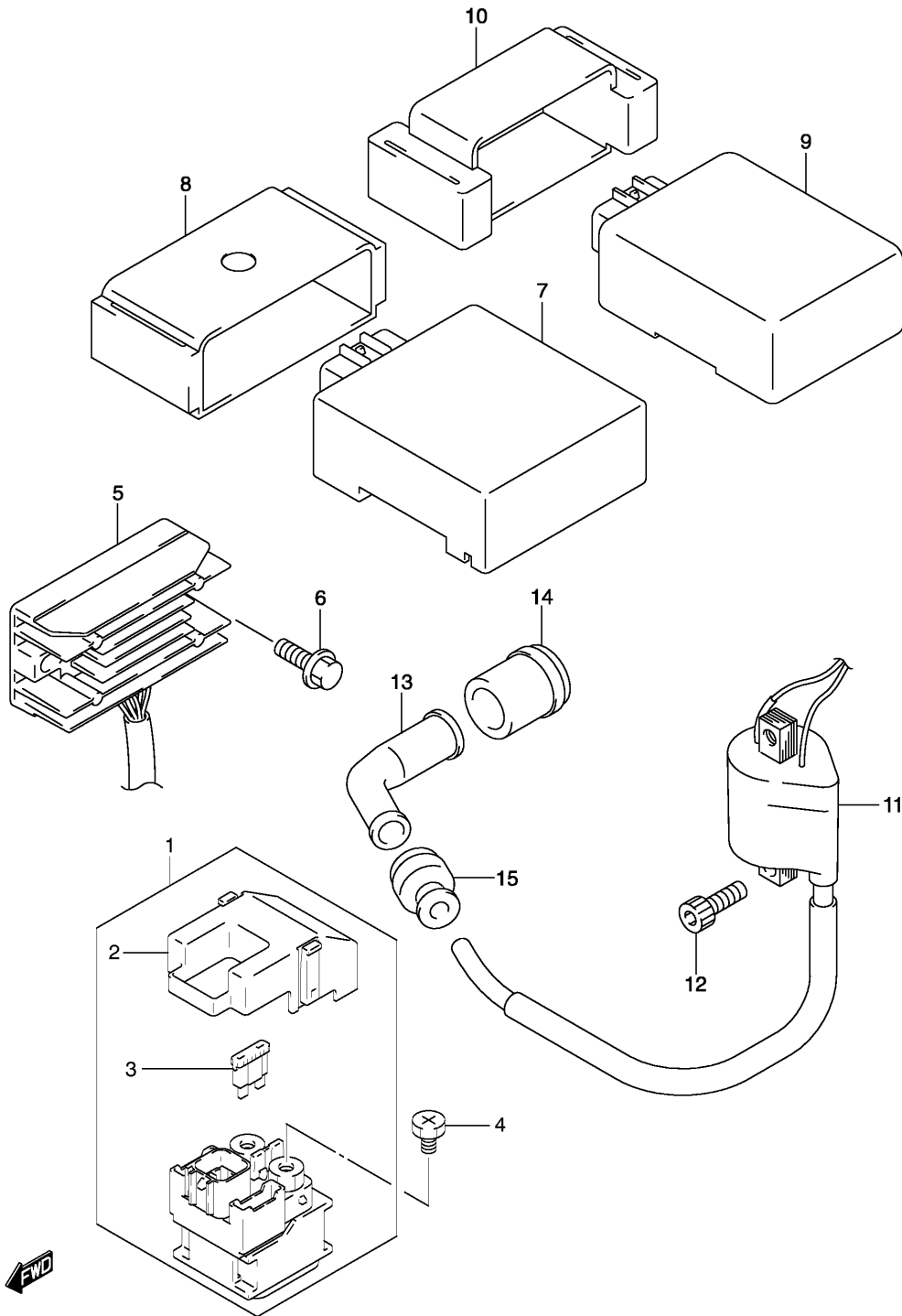
Ref No	Part No	Description
1	31100-14F01	Motor Assy, Starting
2	31150-08F00	. Bracket
3	31153-49210	•• . O Ring
4	31175-14F00	. Frame Assy, Commutator End
5	31264-32C10	. O Ring
6	31281-08F00	. Bolt
7	31156-38300	. O Ring
8	31361-32C10	. Plate, Lock
9	31361-38300	. Shim
10	09280-24003	. O Ring (d:3,id:24.5)
11	01550-06203	Bolt
12	D1507-05085	Screw (5x8)
13	D8321-01055	Washer

Ref No	Part No	Description
1	32101-21F00	Stator Assy
2	32102-21F00	Rotor Assy
3	09159-14015	Nut, Magneto Rotor
4	02112-05103	Screw, Sensor
5	02112-05303	Screw, Magneto Stator
6	08341-31039	Key, Magneto

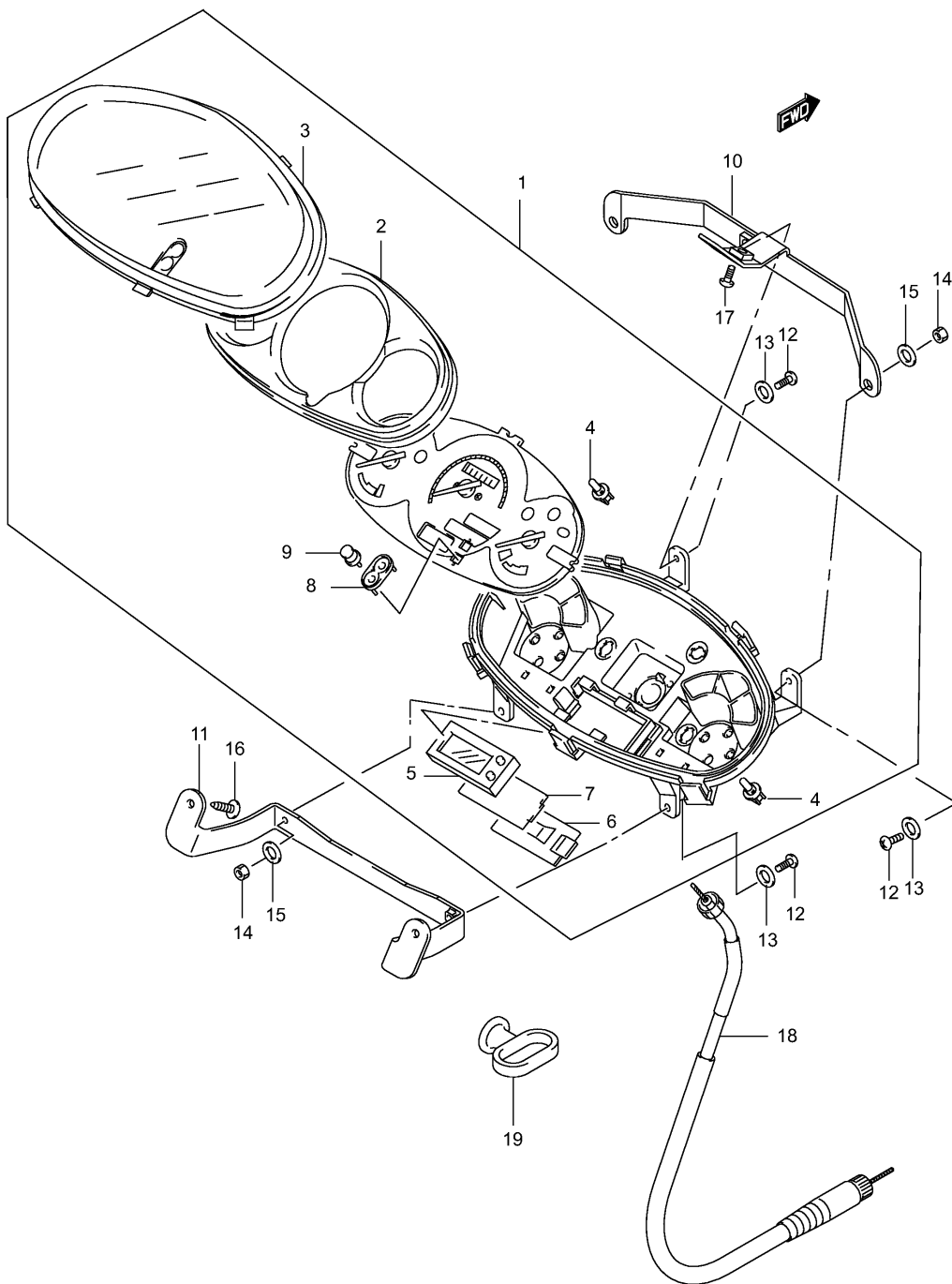




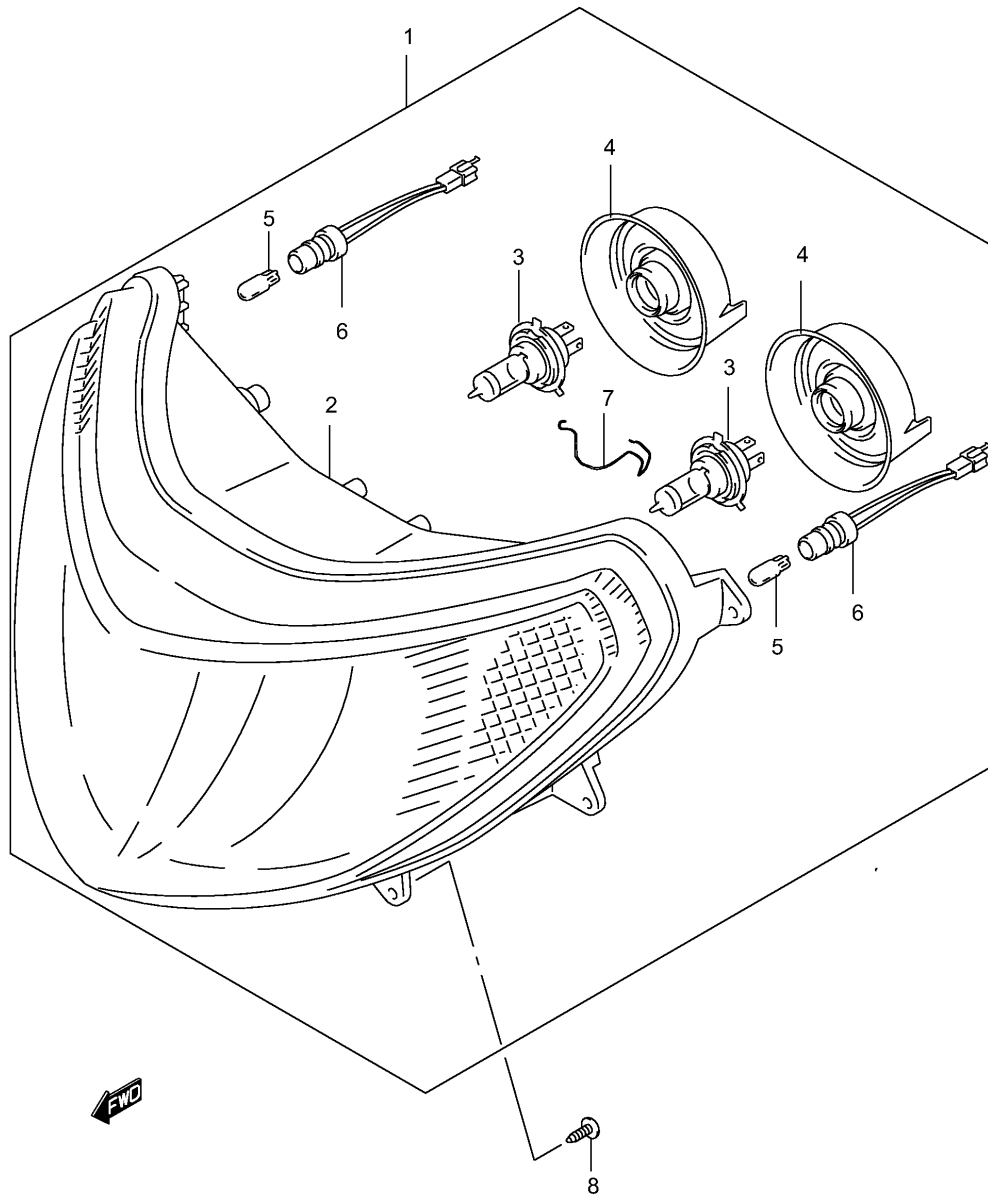
Ref No	Part No	Description
1	33610-49F00	Battery Assy (gtx9-bs,12v8ah)
2	33652C39000J000	Protector, Battery (25x30x3)
3	09462C00015J000	Band, Battery
4	33810-07E00	Wire, Starter Motor
5	31861C48B10J000	• . Cap
6	33820-49F00	Wire, Battery Plus
7	33624-38400	• . Cap
8	33860-07E00	Wire, Battery Minus



Ref No	Part No	Description
1	31800C47E00J000	Relay Assy, Starting Motor
2	31861-47E00	• . Cover, Relay Assy
3	09481-20102	• . Fuse (20a)
4	D1507-06085	Bolt, Starting Motor (6x8)
5	32800-13E10	Rectifier Assy
6	D1557-06205	Bolt, Rectifier
7	32900-49F11	Cdi Unit
8	32980-38F00	Cushion, Cdi Unit
11	33410-49F00	Coil Assy, Ignition
12	D7107-06205	Bolt
13	33510-43010	Cap Assy, Spark Plug
14	33541-44D00	Seal, Spark Plug
15	33542-38B00	Seal, High Tension Cord

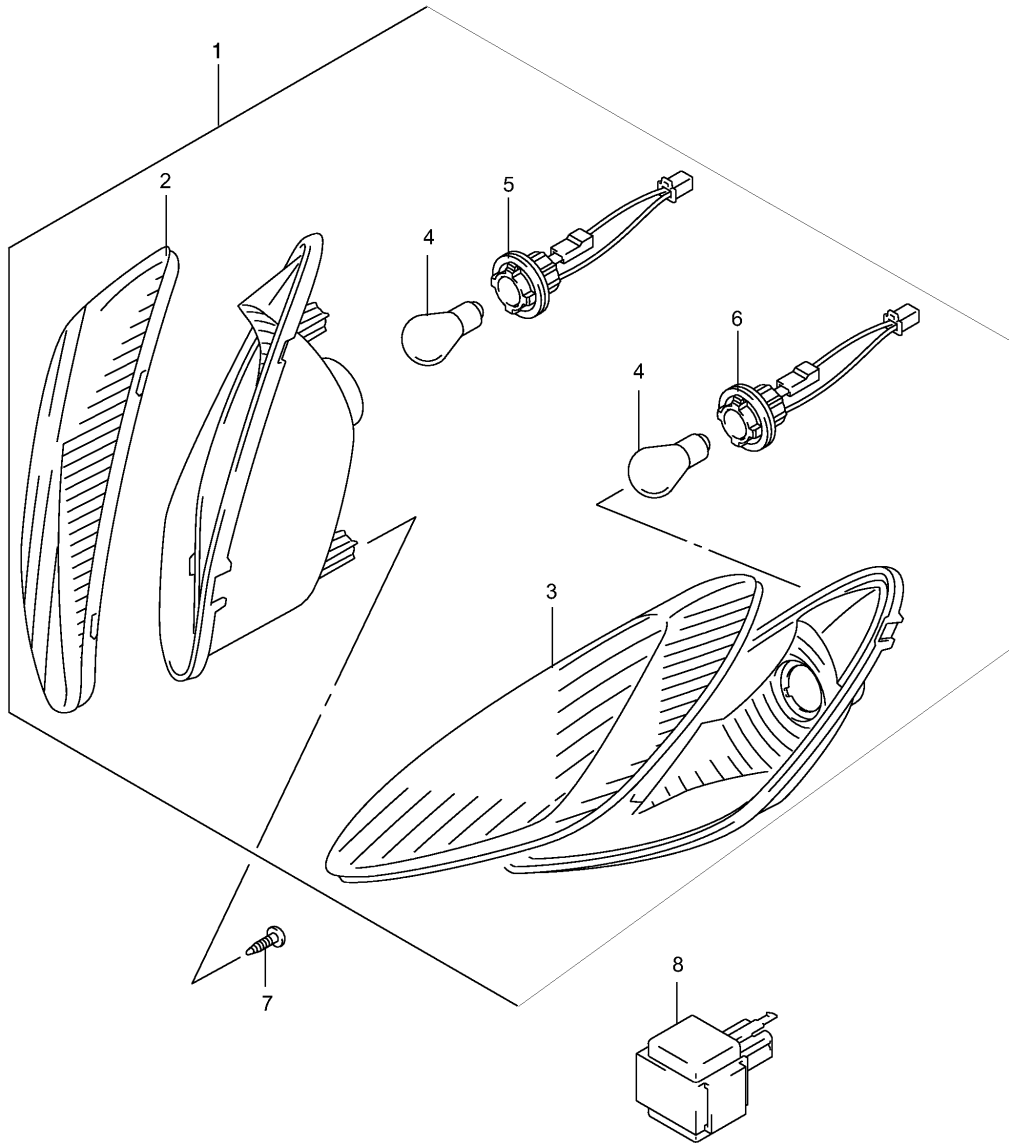


Ref No	Part No	Description
1	34100-49F50	Speedometer Assy
2	34125-49F00	• Reflector Assy
3	34150-49F00	• Hood, Meter
4	34171-49F00	• Lamp Holder (12v,1.2w)
5	34600-49F00	• Clock, Trasparent Digital
6	34613-49F00	• Base, Digital Clock
7	34614-49F00	• Gasket, Clock Rubber
8	34143-49F00	• Base, Clock
9	34141-49F00	• Command Key Rubber, Clock
10	34160-49F00	Bracket, Upper
11	34180-49F00	Bracket, Lower
12	D2116-04125	Bolt, Bracket
13	D8322-91045	Washer
14	D8310-00045	Nut
15	D8322-01045	Washer
16	03541-05165	Screw, Speedometer
17	02142-05165	Bolt, Meter
18	34910-49F00	Cable Assy, Speedometer
19	58621C21203J000	Guide, Cable

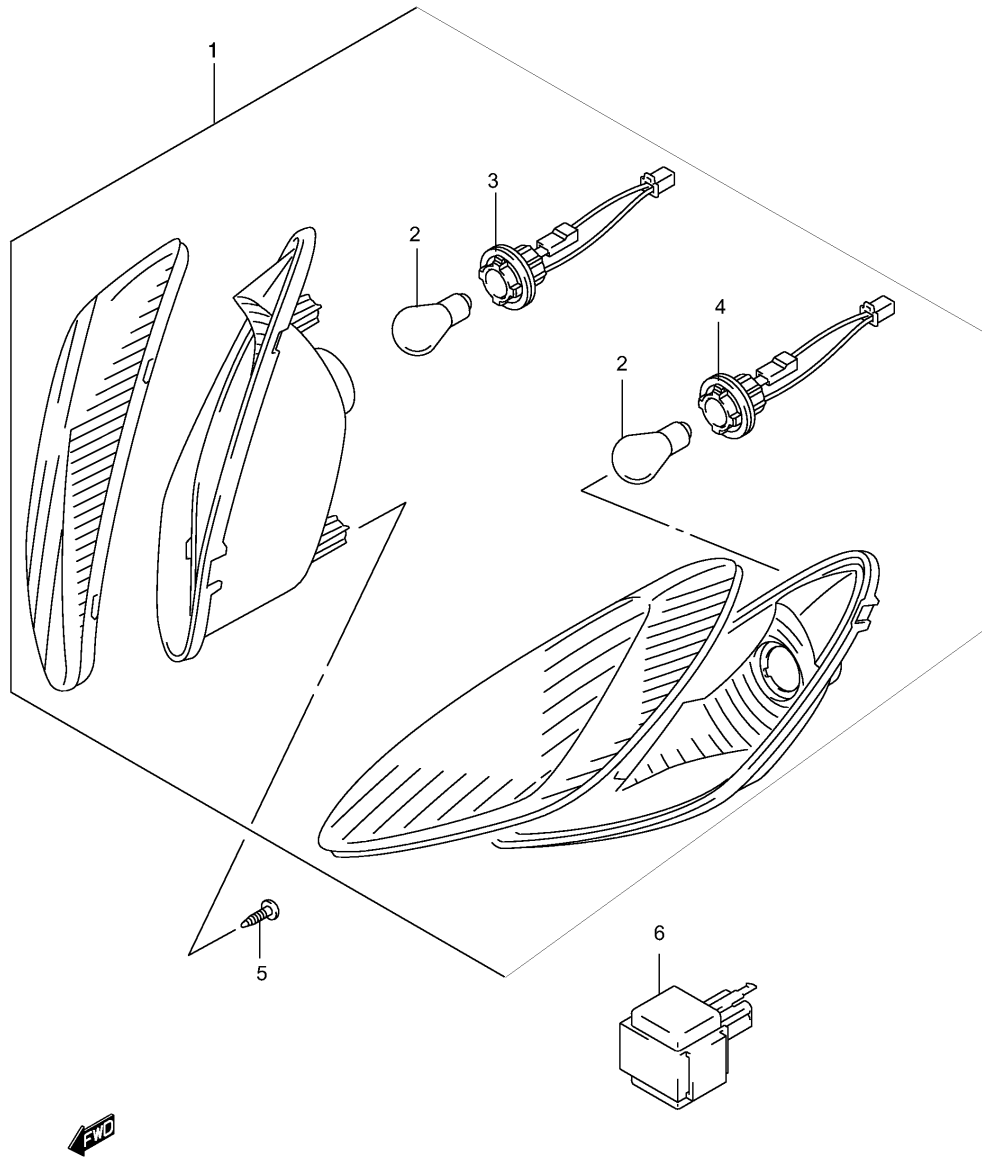


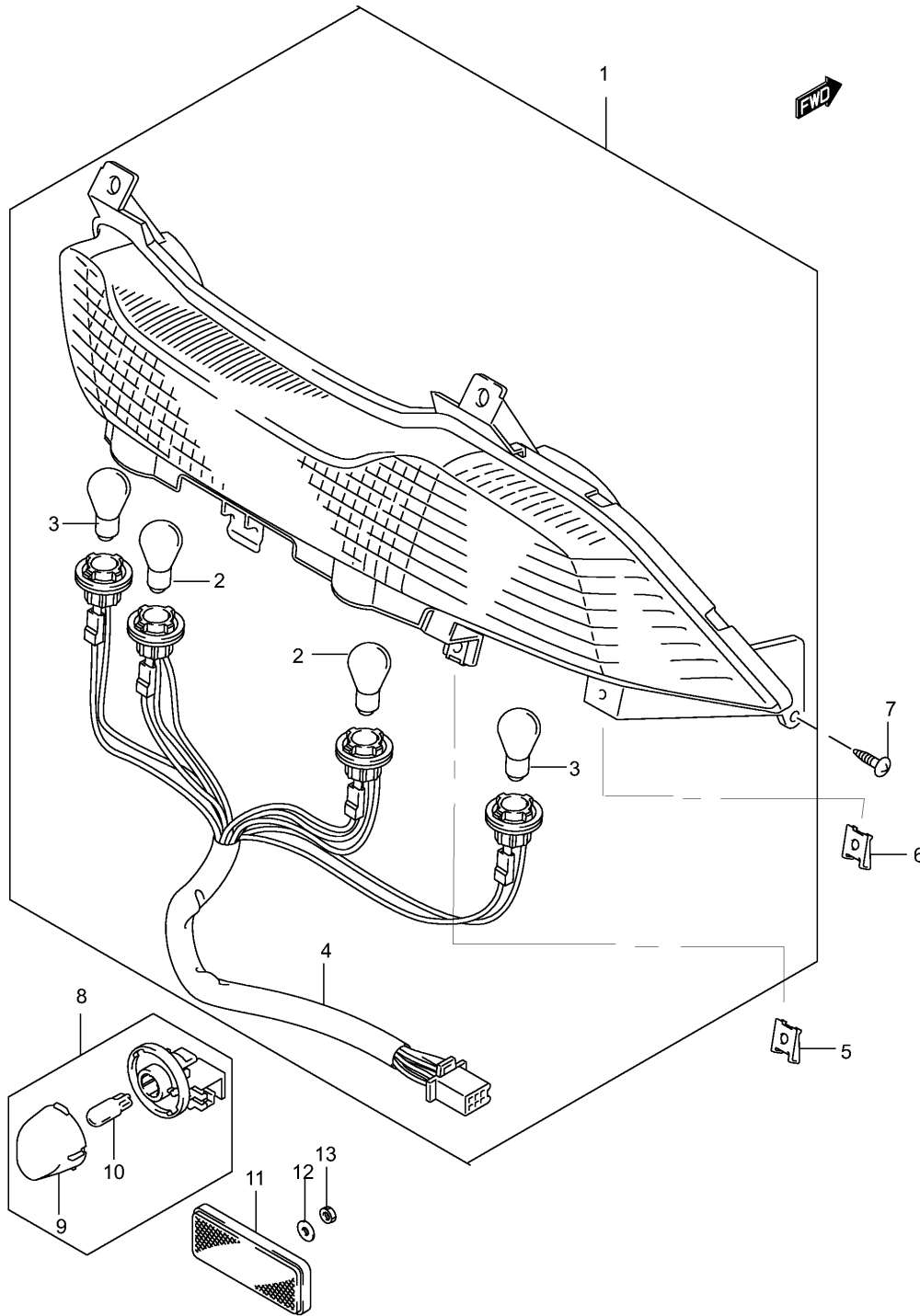
Ref No	Part No	Description
1	35100-49F50	Headlamp Assy
2	35101-07E50	. Headlamp
3	09471-02E20	. Bulb, Halogen (12v, 35/35w Hs
4	35125-07E00	. Cover
5	09471-07E00	. Bulb (w5w 12v, 5w)
6	36118-07E00	. Socket & Cord
7	35174-02E01	. Circlip
8	03541-05165	Screw, Headlamp

Ref No	Part No	Description
1	35601-49F00	Lamp Assy, Front Turnsignal Rh
1	35602-49F00	Lamp Assy, Front Turnsignal Lh
2	35652-07E00	. Lens, Turnsignal Rh
3	35672-07E00	. Lens, Turnsignal Lh
4	09471-07E10	. Bulb (12v, 21w)
5	35171-07E00	. Socket & Cord Rh
6	35172-07E00	. Socket & Cord Lh
7	03541-05165	Screw
8	38610-45D01	Relay Assy, Turnsignal

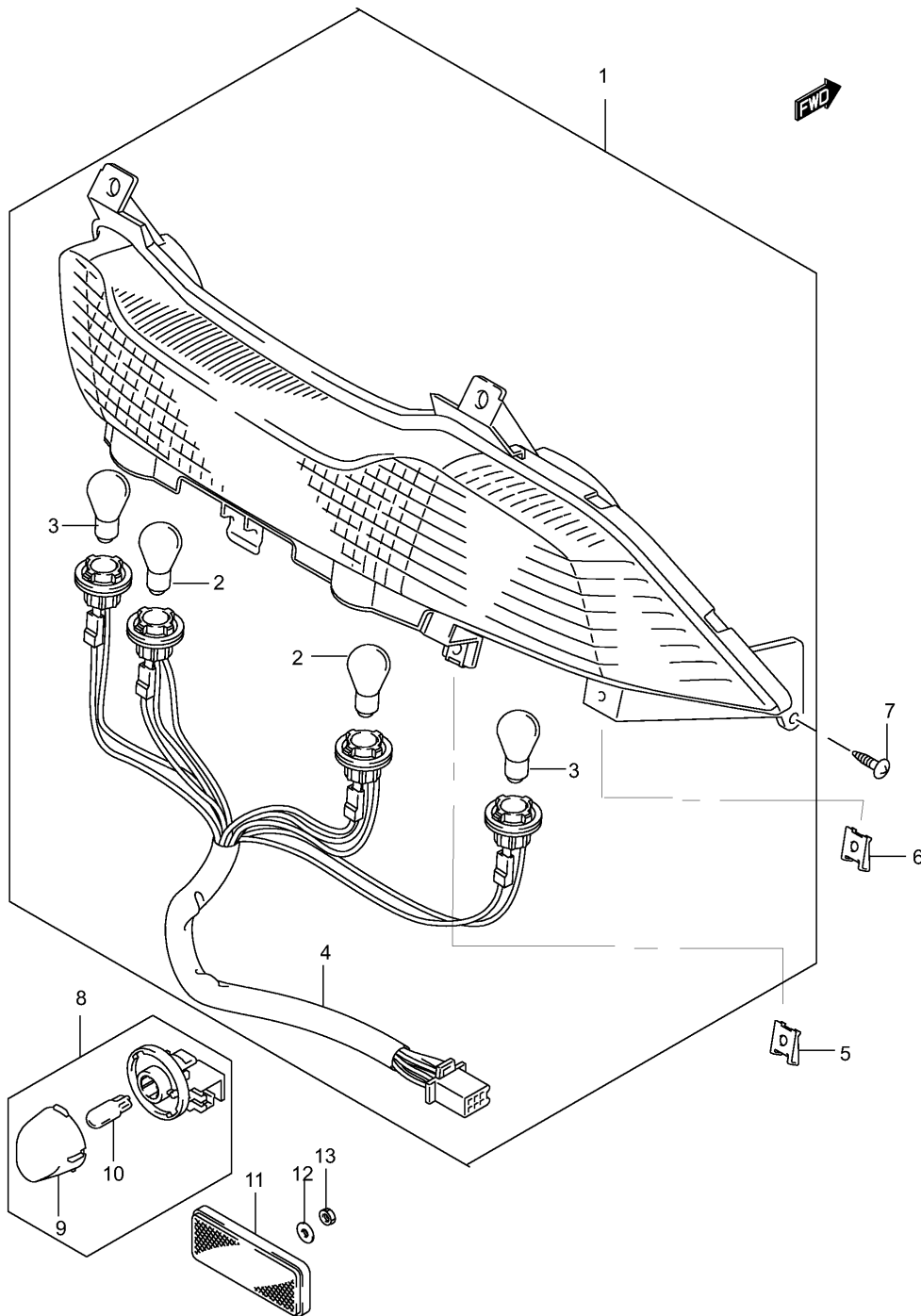


Ref No	Part No	Description
1	35601-07E00	Lamp Assy, Front Turnsignal Rh
1	35602-07E00	Lamp Assy, Front Turnsignal Lh
2	09471-07E30	• Bulb (12v, 21w)
3	35171-07E10	• Socket&cord Rh
4	35172-07E10	• Socket&cord Lh
5	03541-05165	Screw
6	38610C01D10J000	Relay Assy, Turnsignal

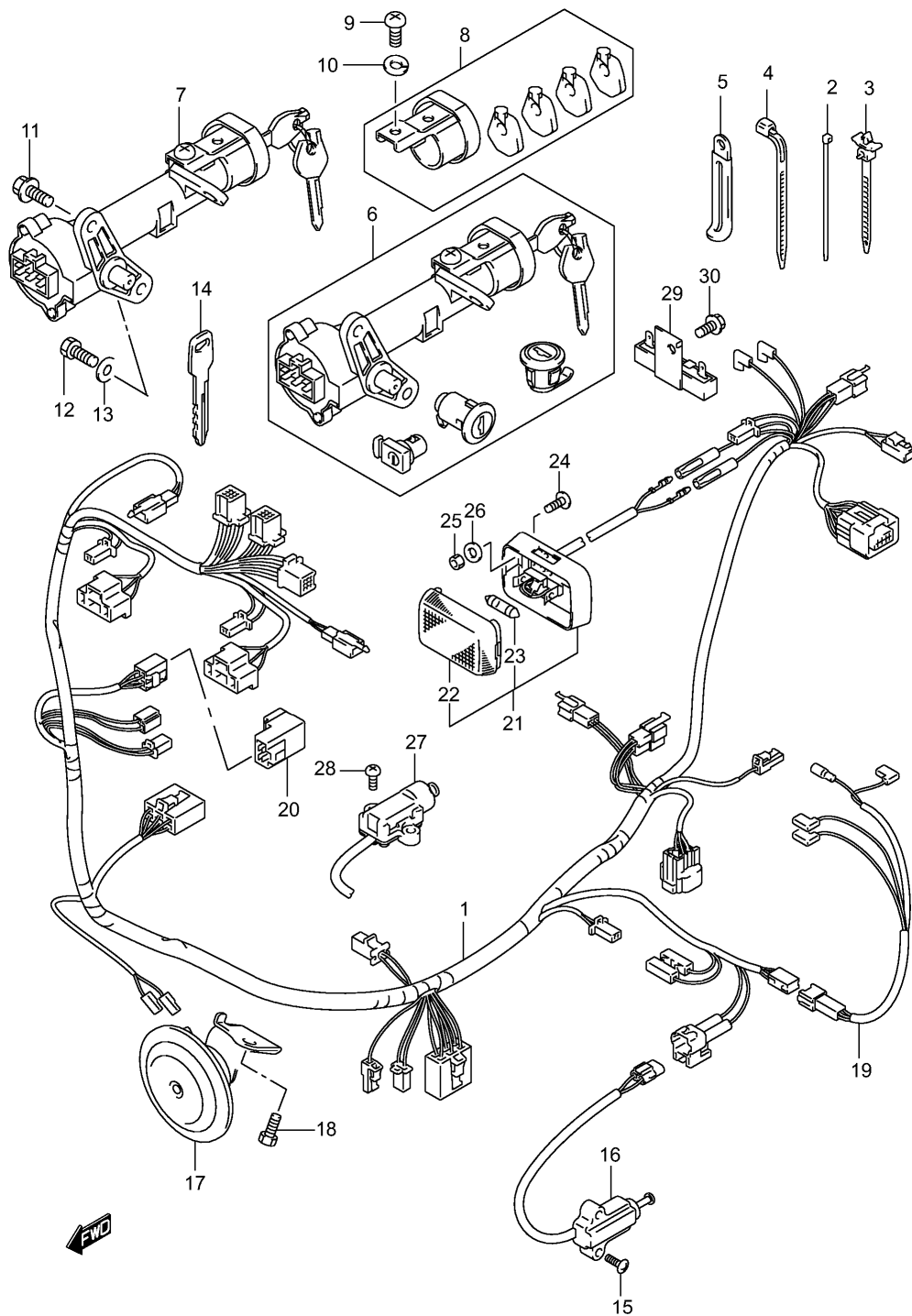




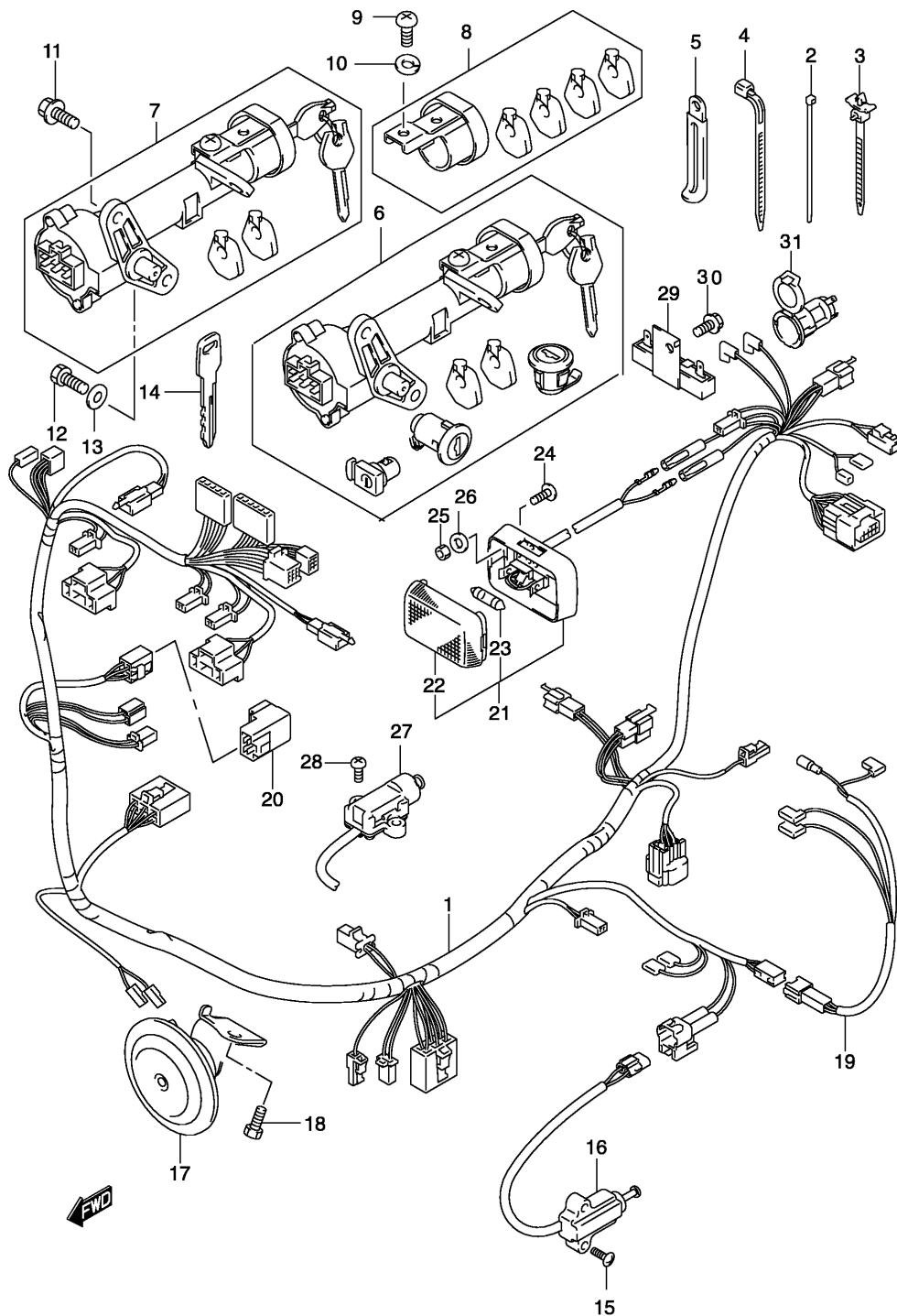
Ref No	Part No	Description
1	35710-49F00	Lamp Assy, Rear Comb
2	09471-07E20	• Bulb (12v, 21/5w)
3	09471-07E10	• Bulb (12v, 21w)
4	35718-07E00	• Socket&cord
5	D911P-06226	Nut, Rear Comb
6	D91FK-48212	Nut, Rear Comb
7	03541-05165	Screw, Rear Comb
8	35910-14F01	Lamp Assy, License Plate
9	35912-14F11	• Lens
10	09471-12081	• Bulb (w5w 12v, 5w)
11	35970-09EF0	Reflex Reflector Assy, Rear
12	D8322-01055	Washer
13	D8310-00055	Nut



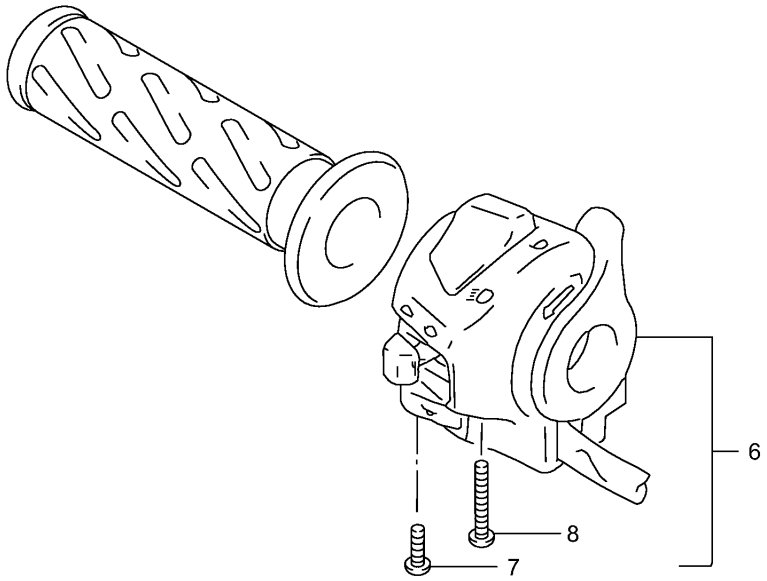
Ref No	Part No	Description
1	35710-07E00	Lamp Assy, Rear Comb
2	09471-07E20	• Bulb (12v, 21/5w)
3	09471-07E30	• Bulb (12v, 21w)
4	35718-07E10	• Socket&cord
5	D911P-06226	Nut, Rear Comb
6	D91FK-48212	Nut, Rear Comb
7	03541-05165	Screw, Rear Comb
8	35910-14F01	Lamp Assy, License Plate
9	35912-14F11	• Lens
10	09471-12081	• Bulb (w5w 12v, 5w)
11	35970-09EF0	Reflex Reflector Assy, Rear
12	D8322-01055	Washer
13	D8310-00055	Nut



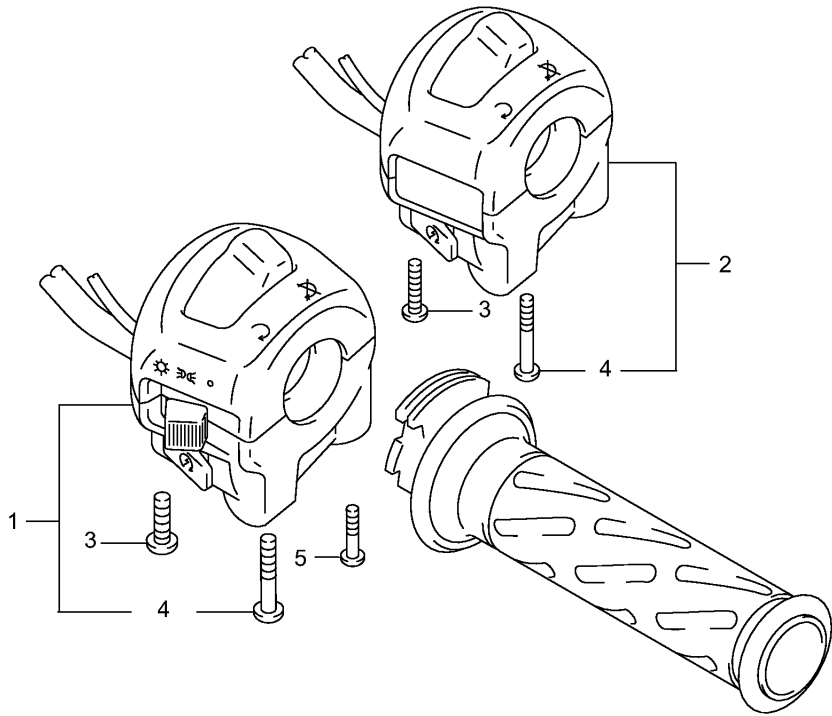
Ref No	Part No	Description
1	36610-49F10	Harness, Wiring
2	D9425-00975	Clamp (l:95)
3	09407-07E00	Clamp (l:157)
4	D9436-01425	Clamp (l:125)
4	D9448-01885	Clamp (l:165)
4	D9477-02135	Clamp (l:200)
4	D9477-02995	Clamp (l:290)
4	D9448-02875	Clamp
5	09404-08419-EE3	Clamp (l:97)
6	37011-49F00	Lock Set
7	37100-49F00	Lock Assy, Steering
8	37155-49F00	Shutter, Steering Lock
9	D2116-05085	Screw
10	D8321-01055	Washer
11	09139-06048	Bolt, Steering Lock
12	D1507-06205	Bolt, Steering Lock
13	D8322-01065	Washer
14	37146-14F00	Key, Blank
15	D2116-06205	Screw, Side Stand
16	37840-49F00	Switch Assy, Side Stand
17	38500-49F00	Horn Assy
18	D1507-08125	Bolt
19	36854-07E00	Wire, Ignition Coil
20	38740-26E00	Relay Assy, Side Stand
21	36210-49F00	Lamp Assy, Trunk Box
22	36212-79001	• . Lens
23	09471-12073	• . Bulb (12v, 5w)
24	D2116-04125	Screw
25	D8310-00045	Nut
26	D8322-01045	Washer
27	37980-14F00	Switch Assy, Trunk Box
28	D2116-05165	Screw
29	36510-49F00	Resistor Assy
30	D1507-06125	Bolt
32	36855-07E00	Wire, Carburetor Heater



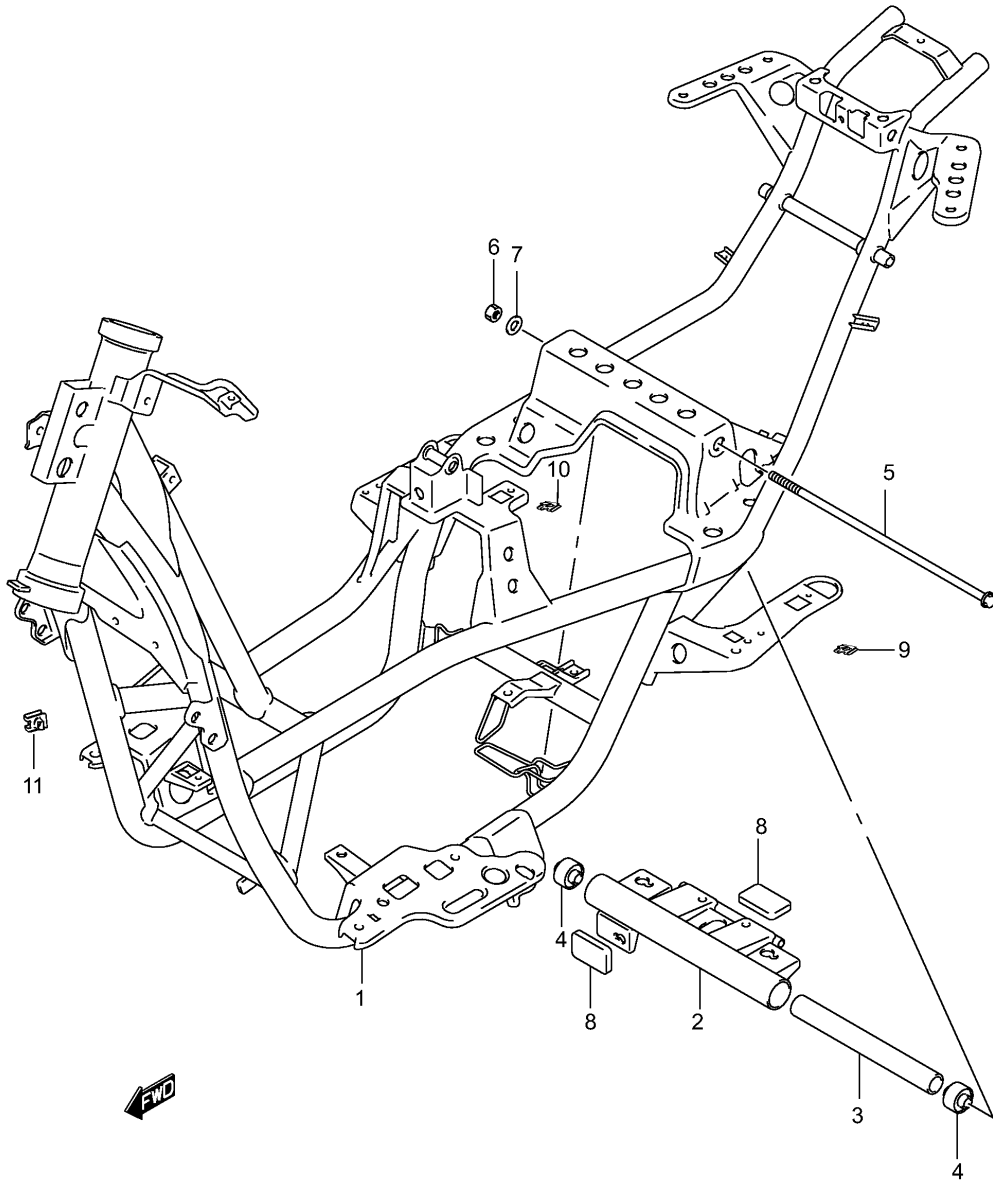
Ref No	Part No	Description
2	D9425-00975	Clamp (l:95)
3	09407-07E00	Clamp (l:157)
4	D9436-01425	Clamp (l:125)
4	D9448-01885	Clamp (l:165)
4	D9477-02135	Clamp (l:200)
4	D9477-02995	Clamp (l:290)
4	D9448-02875	Clamp
5	09404-08419-EE3	Clamp (l:97)
6	37011-49F00	Lock Set
7	37100-49F00	Lock Assy, Steering
8	37155-49F00	Shutter, Steering Lock
9	D2116-05085	Screw
10	D8321-01055	Washer
11	09139-06048	Bolt, Steering Lock
12	D1507-06205	Bolt, Steering Lock
13	D8322-01065	Washer
14	37146-14F00	Key, Blank
15	D2116-06205	Screw, Side Stand
16	37840-49F00	Switch Assy, Side Stand
17	38500-49F00	Horn Assy
18	D1507-08125	Bolt
19	36854-07E00	Wire, Ignition Coil
20	38740-26E00	Relay Assy, Side Stand
21	36210-49F00	Lamp Assy, Trunk Box
22	36212-79001	• . Lens
23	09471-12073	• . Bulb (12v, 5w)
24	D2116-04125	Screw
25	D8310-00045	Nut
26	D8322-01045	Washer
27	37980-14F00	Switch Assy, Trunk Box
28	D2116-05165	Screw
29	36510-49F00	Resistor Assy
30	D1507-06125	Bolt
31	39410-49F00-P4Z	Terminal, Power Source (12v,60)

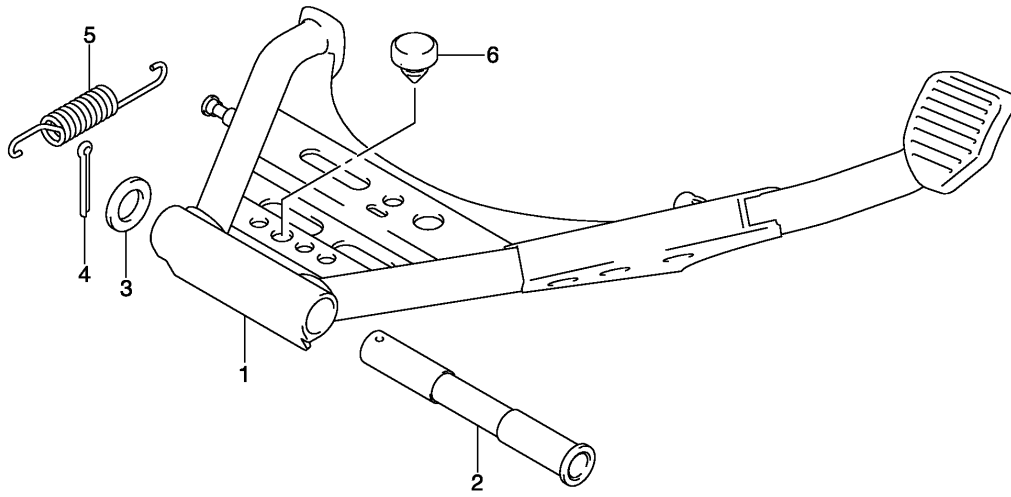


Ref No	Part No	Description
2	37200-49F20	Switch Assy, Handle Rh
3	D2116-05255	. . Screw
4	D2116-05505	. . Screw
5	D2116-05105	Screw, Throttle Cable
6	37400-49F60	Switch Assy, Handle Lh
7	D2116-05255	. . Screw
8	D2116-05505	. . Screw

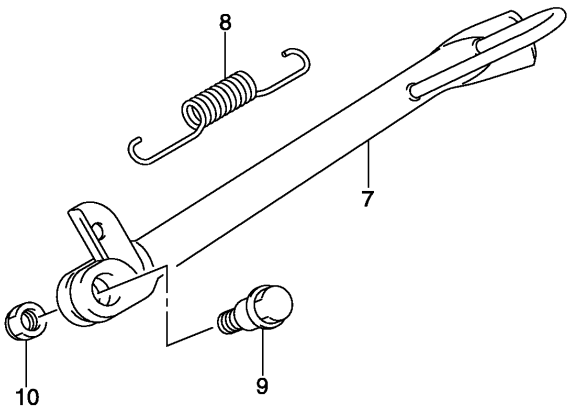


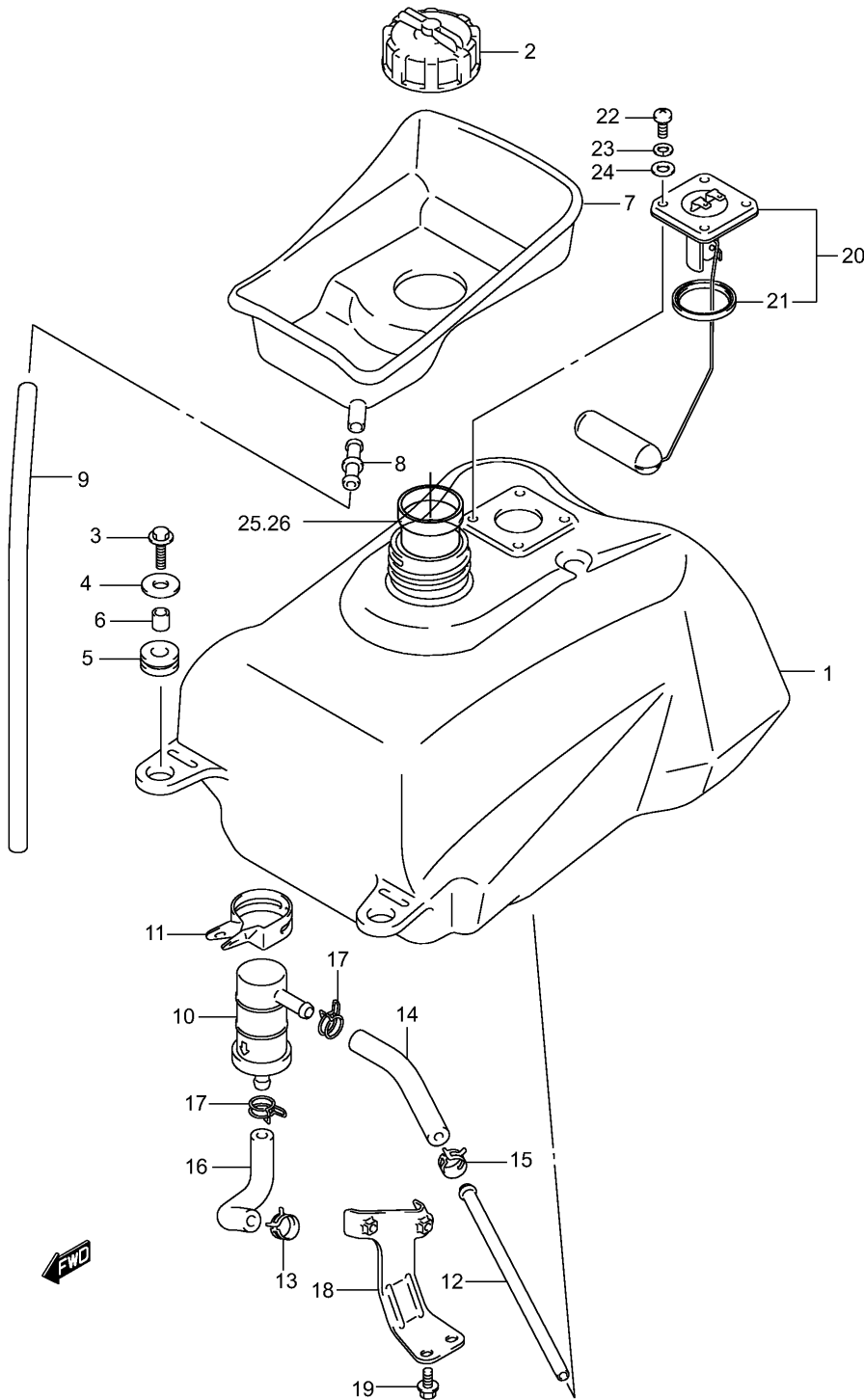
Ref No	Part No	Description
1	41100-49F00-EE3	Frame
2	41180-07E00-EE3	Bracket Set, Crankcase
3	41170-49F00	Spacer, Bracket Center
4	09319C12057J000	Bush
5	09103C12062J000	Bolt, Crankcase Bracket
6	D8311-60128	Nut
7	D8322-01128	Washer
8	41185-49F00	Cushion, Swing Stop
9	D911P-06226	Nut
10	09689-24603	Nut
11	D913E-06160	Nut



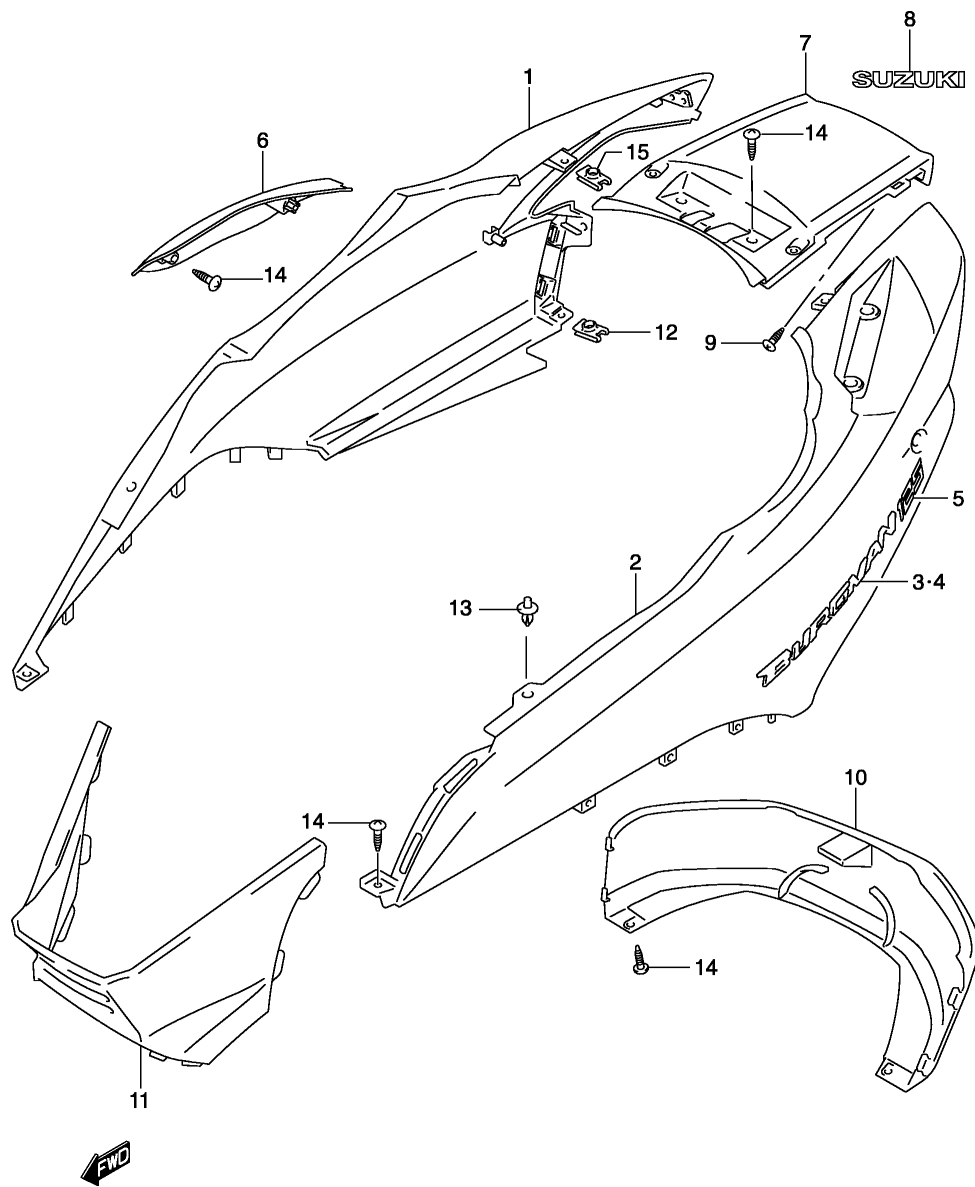


Ref No	Part No	Description
1	42100-49F00-EE	Stand, Center
2	42211-49F00	Shaft
3	D8322-01165	Washer
4	D4111-32258	Cotter Pin
5	09443C18011JE	(Spring
6	09321C10002J0C	Cushion
7	42310-49F00-EE	Stand, Prop
8	09443C15035JE	(Spring
9	42342-49F00	Bolt
10	D8311-69103	Nut

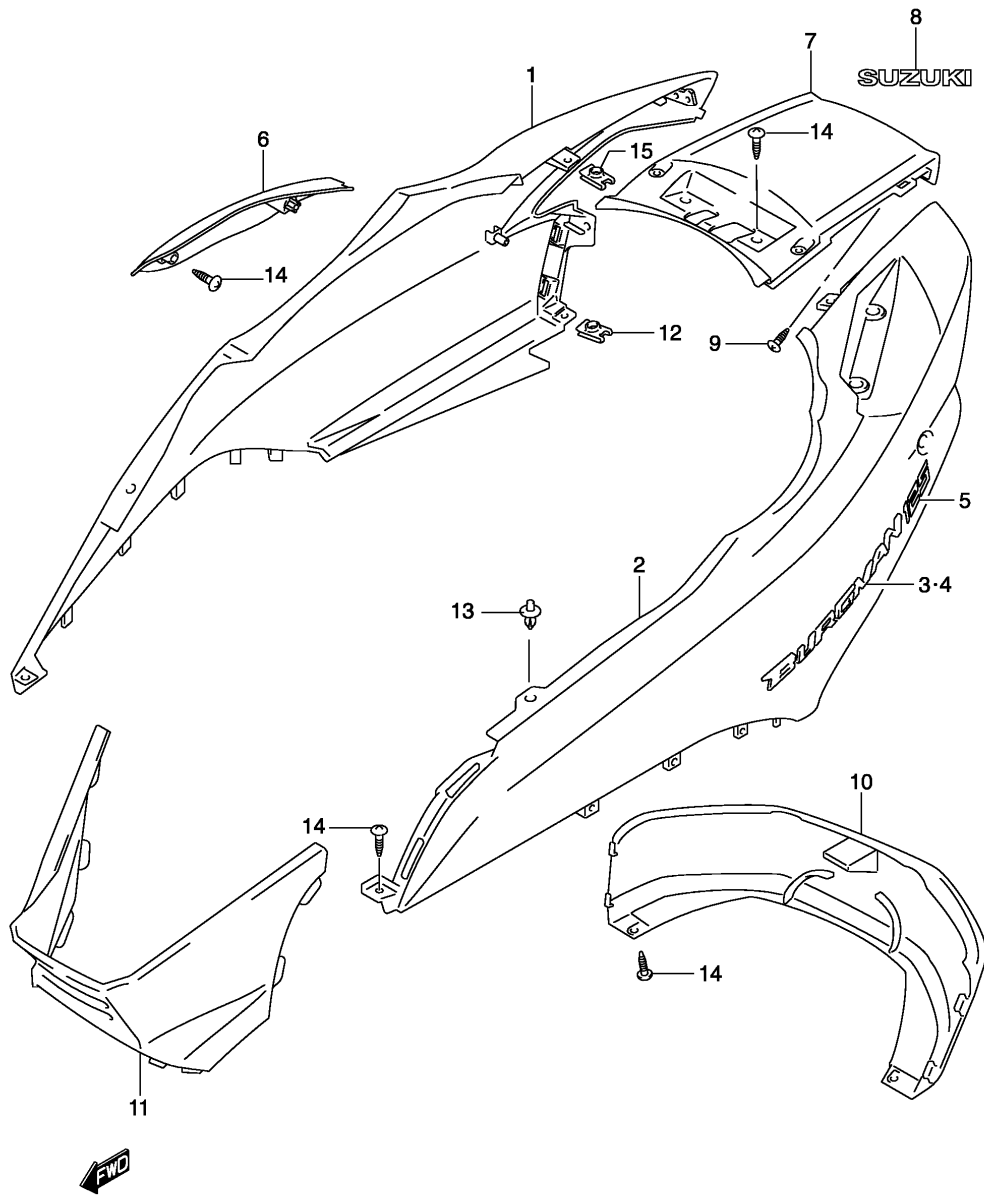




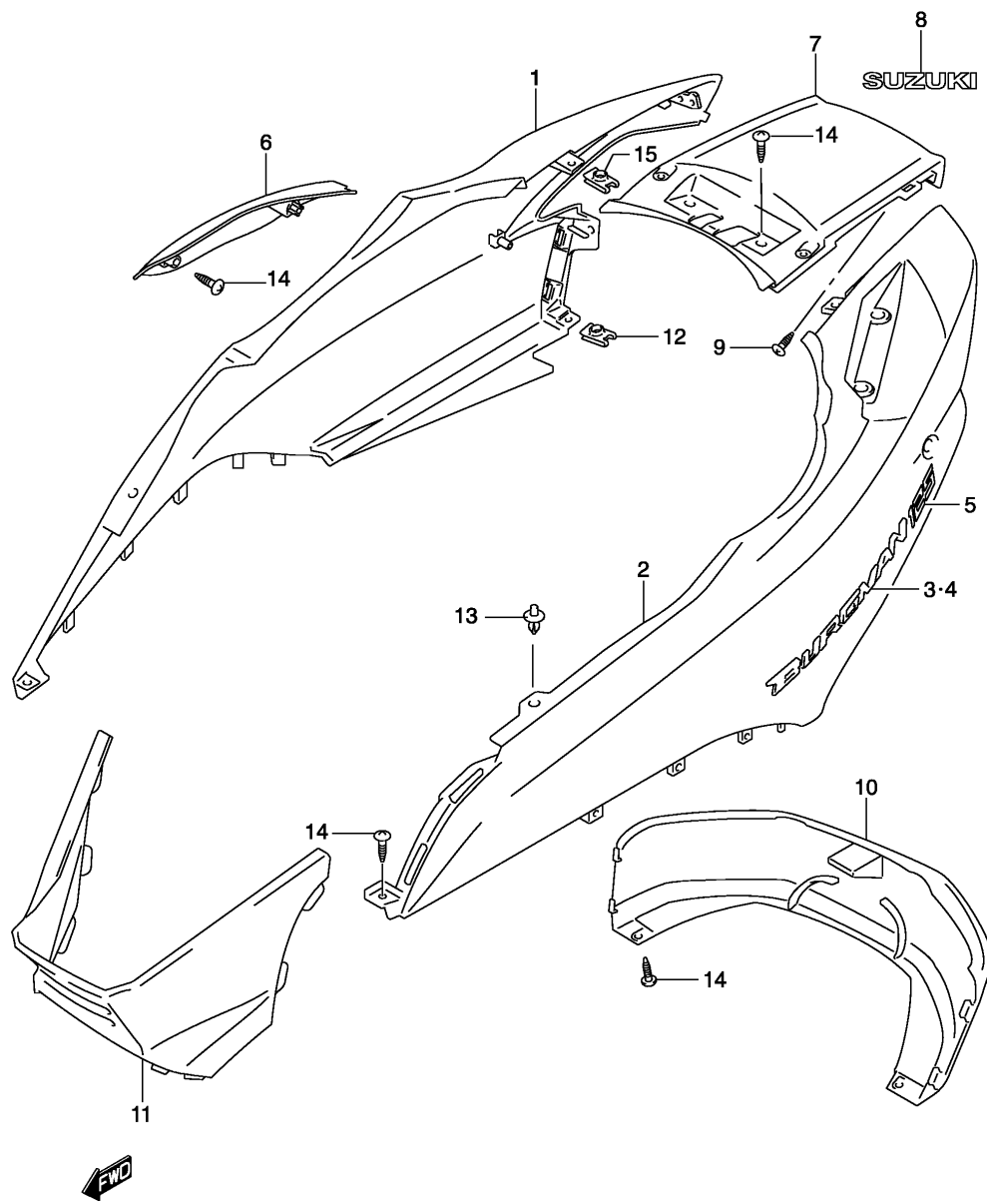
Ref No	Part No	Description
1	44110-49F00	Tank, Fuel
2	44200-21F00	Cap Assy, Fuel Tank
3	D1557-06255	Bolt
4	09160C06501J000	Washer
5	09320C10029J000	Cushion
6	09180C06288J000	Spacer
7	44262-49F00	Tray, Fuel Drain
8	09367-08001	Union
9	09352C70103J290	Hose, Drain
10	44330-10F00	Filter, Fuel
11	44339-07E00-EE3	Clamp, Fuel Filter
12	44451-49F00	Tube Comp, Fuel Outlet
13	D9510-0126P	Clip
14	44421-49F00	Hose, Fuel Tank & Filter
15	D9510-0158P	Clip
16	44422-49F00	Hose, Fuel Filter & Pump
17	D9500-0131P	Clip
18	44530-49F00	Bracket, Fuel Pump
19	D1507-06105	Bolt
20	34810-49F00	Gauge Assy, Fuel Tank
21	34825-03A00	Gasket
22	D1C01-06165	Bolt
23	D8321-71065	Washer, Spring
24	D8322-01065	Washer
25	44198-30F10	Tube, Filler Inlet Inner
26	44199-30F10	Tube, Filler Inlet



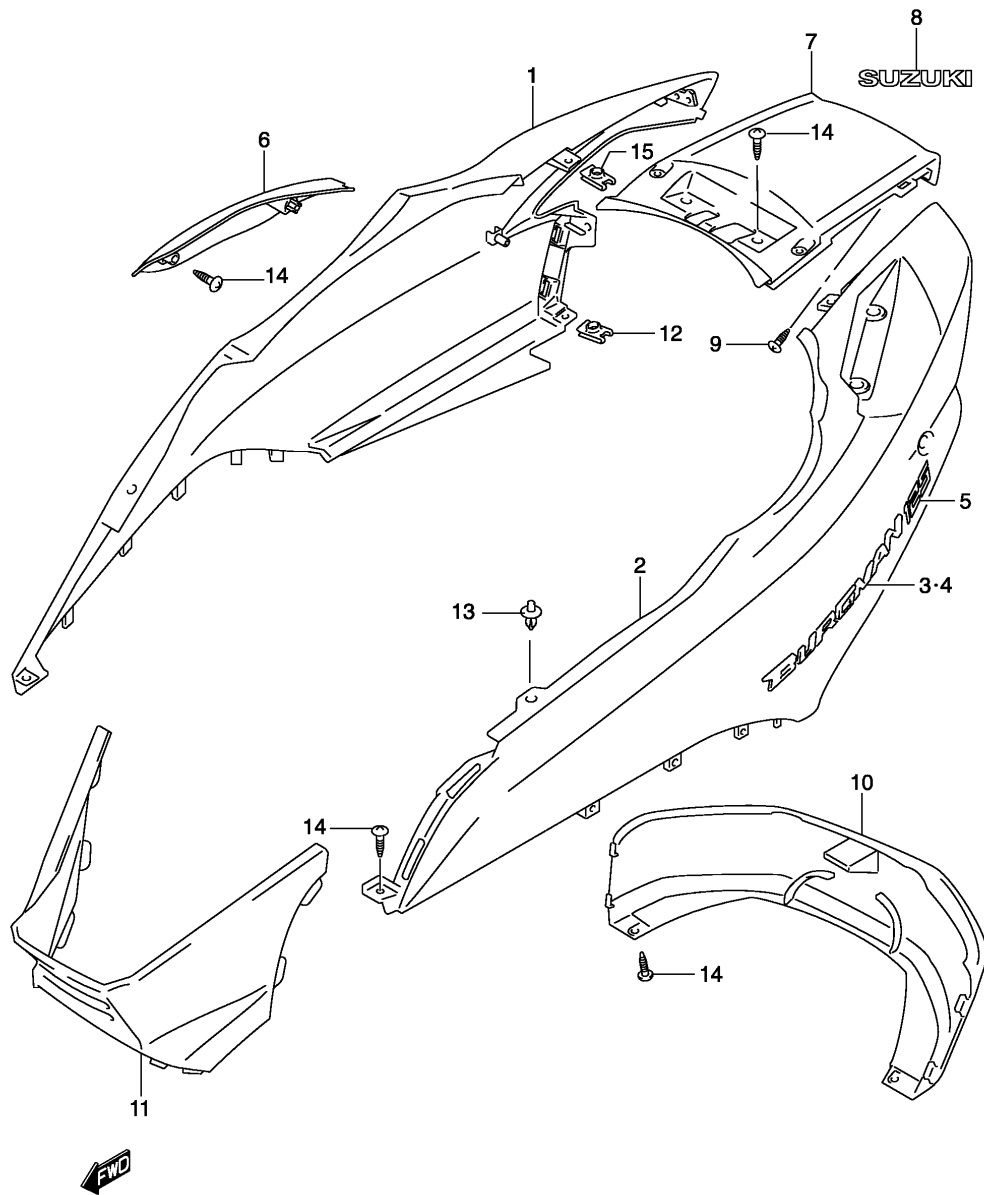
Ref No	Part No	Description
1	47111-49F00-YD8	Cover, Frame Rh (silver)
1	47111-49F00-Y9H	Cover, Frame Rh (yellow)
1	47111-49F00-YC2	Cover, Frame Rh (blue)
2	47211-49F00-YD8	Cover, Frame Lh (silver)
2	47211-49F00-Y9H	Cover, Frame Lh (yellow)
2	47211-49F00-YC2	Cover, Frame Lh (blue)
3	68131-49F00	Emblem, Frame Cover Rh
4	68141-49F00	Emblem, Frame Cover Lh
5	68131-49F20-E8C	Emblem, "150"
6	47121-49F00-YD8	Cover, Upper Rh (silver)
6	47121-49F00-Y9H	Cover, Upper Rh (yellow)
6	47121-49F00-YC2	Cover, Upper Rh (blue)
7	47311-49F00-YD8	Cover, Frame Center (silver)
7	47311-49F00-Y9H	Cover, Frame Center (yellow)
7	47311-49F00-YC2	Cover, Frame Center (blue)
8	68165-49F00-1ZY	Emblem, "suzuki" (gray)
8	68165-49F00-20G	Emblem, "suzuki" (gray)
9	03541-05165	Screw
10	47411-49F00-YD8	Cover, Frame Lower (silver)
10	47411-49F00-Y9H	Cover, Frame Lower (yellow)
10	47411-49F00-YC2	Cover, Frame Lower (blue)
11	47351-49F00-Y0J	Cover, Frame Front (gray)
12	D91BL-4815A	Nut
13	09409-08308-5ES	Clip (black)
14	03541-05165	Screw
15	D91BL-4815A	Nut



Ref No	Part No	Description
1	47111-49F00-YD8	Cover, Frame Rh (silver)
1	47111-49F00-Y9H	Cover, Frame Rh (yellow)
1	47111-49F00-YC2	Cover, Frame Rh (blue)
1	47111-49F00-Y7G	Cover, Frame Rh (green)
1	47111-49F00-Y7H	Cover, Frame Rh (blue)
2	47211-49F00-YD8	Cover, Frame Lh (silver)
2	47211-49F00-Y9H	Cover, Frame Lh (yellow)
2	47211-49F00-YC2	Cover, Frame Lh (blue)
2	47211-49F00-Y7G	Cover, Frame Lh (green)
2	47211-49F00-Y7H	Cover, Frame Lh (blue)
3	68131-49F00	Emblem, Frame Cover Rh
4	68141-49F00	Emblem, Frame Cover Lh
5	68131-49F20-E8C	Emblem, "150"
6	47121-49F00-YD8	Cover, Upper Rh (silver)
6	47121-49F00-Y9H	Cover, Upper Rh (yellow)
6	47121-49F00-YC2	Cover, Upper Rh (blue)
6	47121-49F00-Y7G	Cover, Upper Rh (green)
6	47121-49F00-Y7H	Cover, Upper Rh (blue)
7	47311-49F00-YD8	Cover, Frame Center (silver)
7	47311-49F00-Y9H	Cover, Frame Center (yellow)
7	47311-49F00-YC2	Cover, Frame Center (blue)
7	47311-49F00-Y7G	Cover, Frame Center (green)
7	47311-49F00-Y7H	Cover, Frame Center (blue)
8	68165-49F00-1ZY	Emblem, "suzuki" (gray)
8	68165-49F00-20G	Emblem, "suzuki" (gray)
9	03541-05165	Screw
10	47411-49F00-YD8	Cover, Frame Lower (silver)
10	47411-49F00-Y9H	Cover, Frame Lower (yellow)
10	47411-49F00-YC2	Cover, Frame Lower (blue)
10	47411-49F00-Y7G	Cover, Frame Lower (green)
10	47411-49F00-Y7H	Cover, Frame Lower (blue)
11	47351-49F00-Y0J	Cover, Frame Front (gray)
12	D91BL-4815A	Nut
13	09409-08308-5ES	Clip (black)
14	03541-05165	Screw
15	D91BL-4815A	Nut

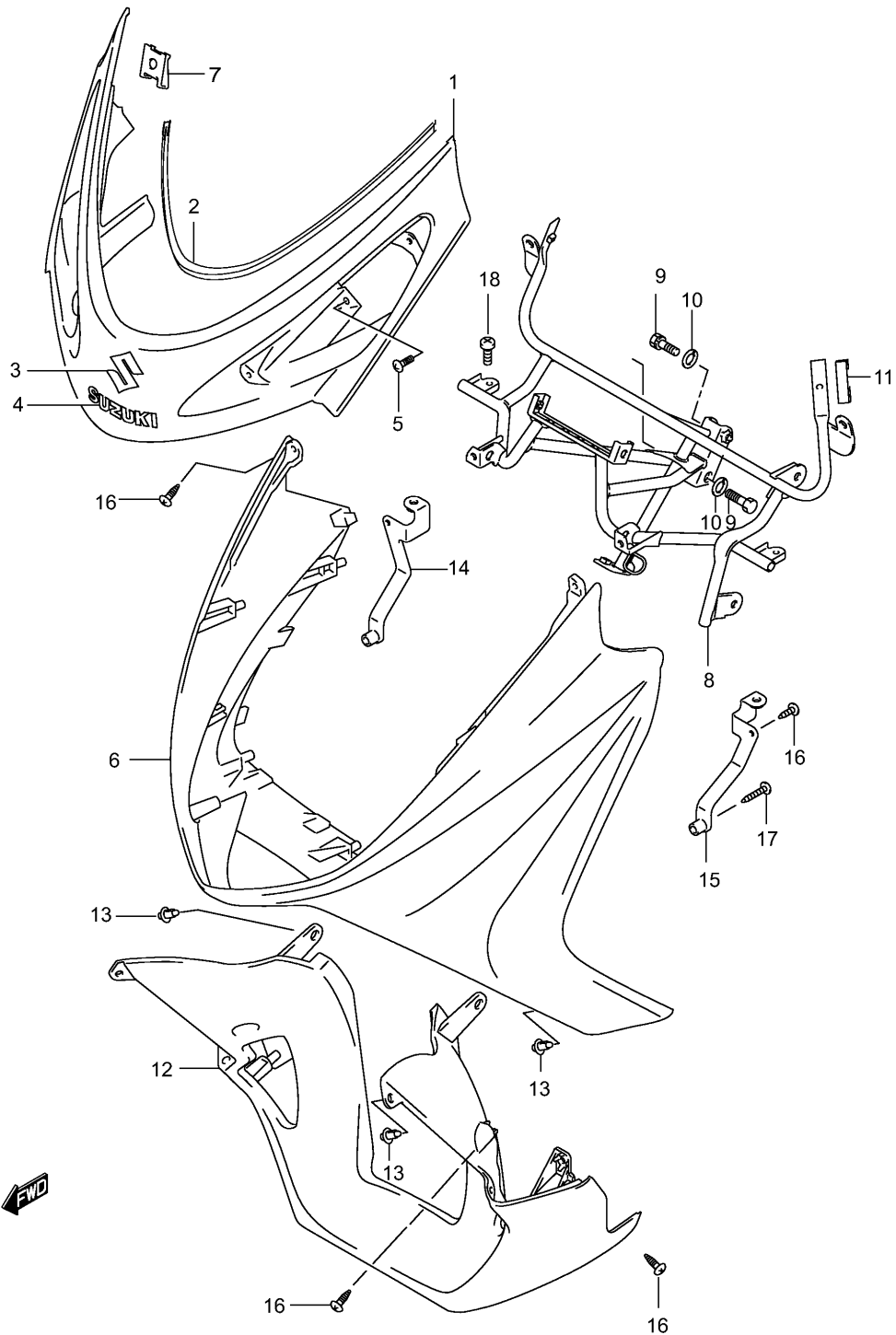


Ref No	Part No	Description
1	47111-49F00-YD8	Cover, Frame Rh (silver)
1	47111-49F00-YBA	Cover, Frame Rh (blue)
1	47111-49F00-YAU	Cover, Frame Rh (gray)
2	47211-49F00-YD8	Cover, Frame Lh (silver)
2	47211-49F00-YBA	Cover, Frame Lh (blue)
2	47211-49F00-YAU	Cover, Frame Lh (gray)
3	68131-49F00	Emblem, Frame Cover Rh
4	68141-49F00	Emblem, Frame Cover Lh
5	68131-49F20-E8C	Emblem, "150"
6	47121-49F00-YD8	Cover, Upper Rh (silver)
6	47121-49F00-YBA	Cover, Upper Rh (blue)
6	47121-49F00-YAU	Cover, Upper Rh (gray)
7	47311-49F00-YD8	Cover, Frame Center (silver)
7	47311-49F00-YBA	Cover, Frame Center (blue)
7	47311-49F00-YAU	Cover, Frame Center (gray)
8	68165-49F00-1ZY	Emblem, "suzuki" (gray)
8	68165-49F00-20G	Emblem, "suzuki" (gray)
9	03541-05165	Screw
10	47411-49F00-YD8	Cover, Frame Lower (silver)
10	47411-49F00-YBA	Cover, Frame Lower (blue)
10	47411-49F00-YAU	Cover, Frame Lower (gray)
11	47351-49F00-Y0J	Cover, Frame Front (gray)
12	D91BL-4815A	Nut
13	09409-08308-5ES	Clip (black)
14	03541-05165	Screw
15	D91BL-4815A	Nut



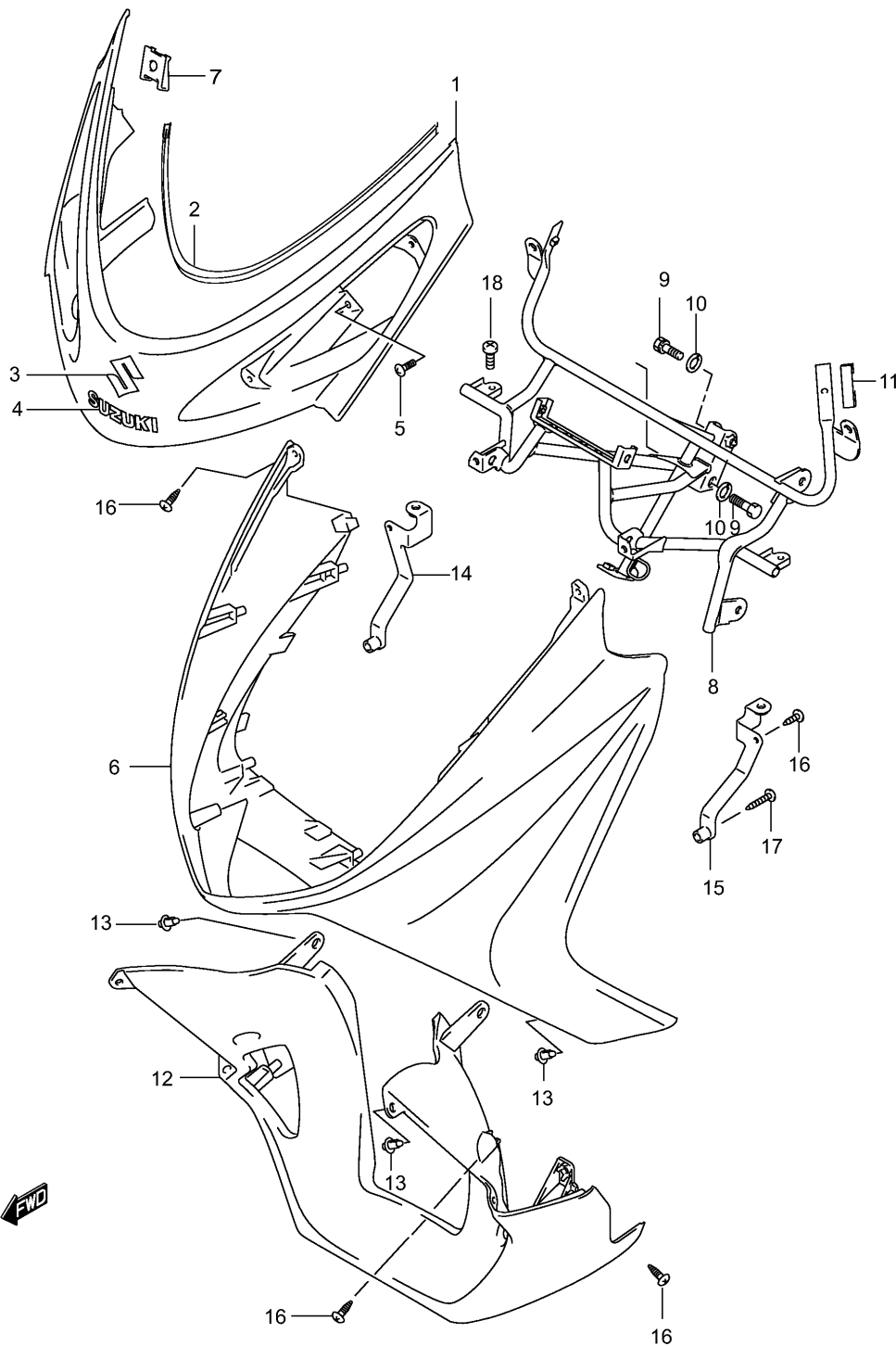
Ref No	Part No	Description
1	47111-49F00-YD8	Cover, Frame Rh (silver)
1	47111-49F00-YC2	Cover, Frame Rh (blue)
1	47111-49F00-YAU	Cover, Frame Rh (gray)
1	47111-49F00-Y7L	Cover, Frame Rh (black)
1	47111-49F00-28V	Cover, Frame Rh (red)
2	47211-49F00-YD8	Cover, Frame Lh (silver)
2	47211-49F00-YC2	Cover, Frame Lh (blue)
2	47211-49F00-YAU	Cover, Frame Lh (gray)
2	47211-49F00-Y7L	Cover, Frame Lh (black)
2	47211-49F00-28V	Cover, Frame Lh (red)
3	68131-49F00	Emblem, Frame Cover Rh
4	68141-49F00	Emblem, Frame Cover Lh
5	68131-49F20-E8C	Emblem, "150"
6	47121-49F00-YD8	Cover, Upper Rh (silver)
6	47121-49F00-YC2	Cover, Upper Rh (blue)
6	47121-49F00-YAU	Cover, Upper Rh (gray)
6	47121-49F00-Y7L	Cover, Upper Rh (black)
6	47121-49F00-28V	Cover, Upper Rh (red)
7	47311-49F00-YD8	Cover, Frame Center (silver)
7	47311-49F00-YC2	Cover, Frame Center (blue)
7	47311-49F00-YAU	Cover, Frame Center (gray)
7	47311-49F00-Y7L	Cover, Frame Center (black)
7	47311-49F00-28V	Cover, Frame Center (red)
8	68165-49F00-YD8	Emblem, "suzuki" (silver)
8	68165-49F00-17U	Emblem, "suzuki" (gray)
9	03541-05165	Screw
10	47411-49F00-YD8	Cover, Frame Lower (silver)
10	47411-49F00-YC2	Cover, Frame Lower (blue)
10	47411-49F00-YAU	Cover, Frame Lower (gray)
10	47411-49F00-Y7L	Cover, Frame Lower (black)
10	47411-49F00-28V	Cover, Frame Lower (red)
11	47351-49F00-Y0J	Cover, Frame Front (gray)
12	D91BL-4815A	Nut
13	09409-08308-5ES	Clip (black)
14	03541-05165	Screw
15	D91BL-4815A	Nut

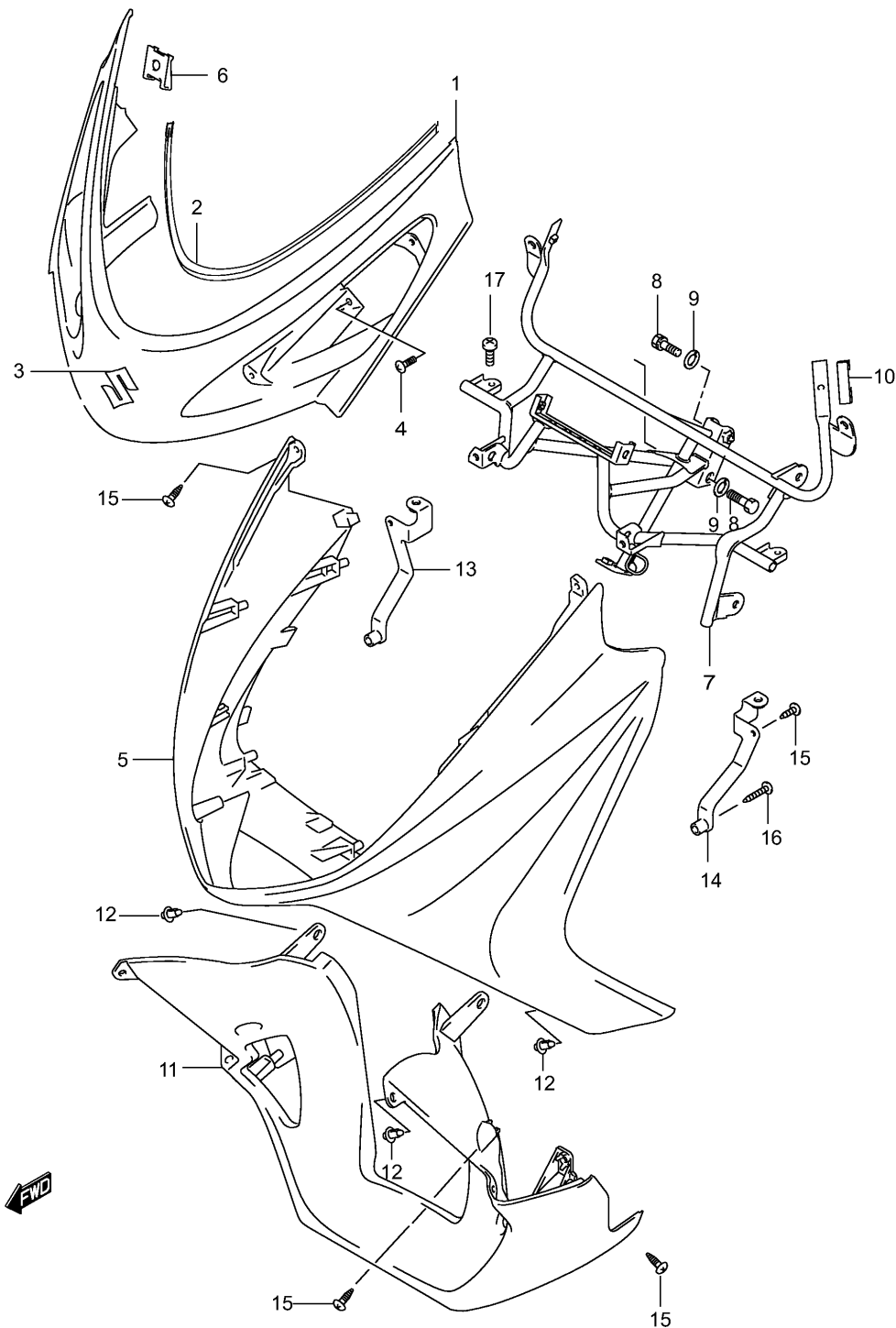
Ref No	Part No	Description
1	48131-49F00-Y7L	Cover, Front Leg (black)
2	48132-49F00	Molding, Front Cover
3	68641-49F00-M7P	Emblem, "s"
4	68641-49F10-M7P	Emblem, "suzuki"
5	02142-05165	Screw
6	48111-49F00-YD8	Shield, Leg Front (silver)
6	48111-49F00-Y9H	Shield, Leg Front (yellow)
6	48111-49F00-YC2	Shield, Leg Front (blue)
7	D91BL-4815A	Nut
8	48150-07E00-EE3	Brace, Leg Shield
9	D1507-08165	Bolt
10	D8321-01085	Washer, Spring
11	48167C14F00J000	Tape, Windscreen
12	48137-49F00-26B	Shield, Leg Lower (gray)
13	09409-08308-5ES	Clip (black)
14	48170-49F00-EE3	Bracket, Front Leg Rh
15	48180-49F00-EE3	Bracket, Front Leg Lh
16	03541-05165	Screw
17	D3111-05325	Screw, Lower
18	D2116-06125	Bolt



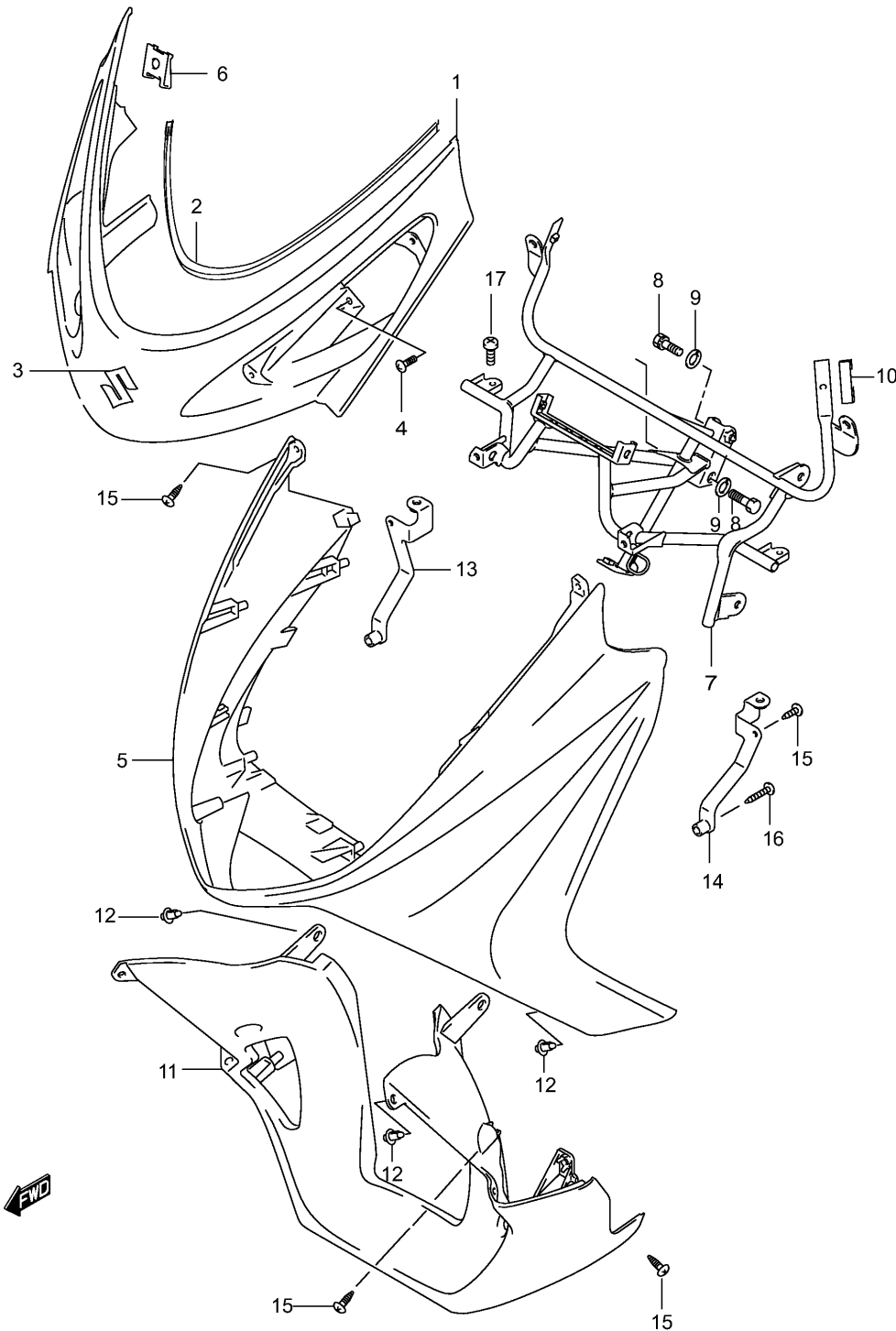
Ref No	Part No	Description
--------	---------	-------------

1	48131-49F00-Y7L	Cover, Front Leg (black)
1	48131-49F00-YD8	Cover, Front Leg (silver)
2	48132-49F00	Molding, Front Cover
3	68641-49F00-M7P	Emblem, "s"
3	68641-49F20-1ZZ	Emblem, "s"
4	68641-49F10-M7P	Emblem, "suzuki"
4	68641-49F30-1ZZ	Emblem, "suzuki"
5	02142-05165	Screw
5	09689-05167	Screw
6	48111-49F00-YD8	Shield, Leg Front (silver)
6	48111-49F00-Y9H	Shield, Leg Front (yellow)
6	48111-49F00-YC2	Shield, Leg Front (blue)
6	48111-49F00-Y7G	Shield, Leg Front (green)
6	48111-49F00-Y7H	Shield, Leg Front (blue)
7	D91BL-4815A	Nut
8	48150-07E00-EE3	Brace, Leg Shield
9	D1507-08165	Bolt
10	D8321-01085	Washer, Spring
11	48167C14F00J000	Tape, Windscreen
12	48137-49F00-26B	Shield, Leg Lower (gray)
12	48137-49F10-YD8	Shield, Leg Lower (silver)
13	09409-08308-5ES	Clip (black)
14	48170-49F00-EE3	Bracket, Front Leg Rh
15	48180-49F00-EE3	Bracket, Front Leg Lh
16	03541-05165	Screw
17	D3111-05325	Screw, Lower
18	D2116-06125	Bolt

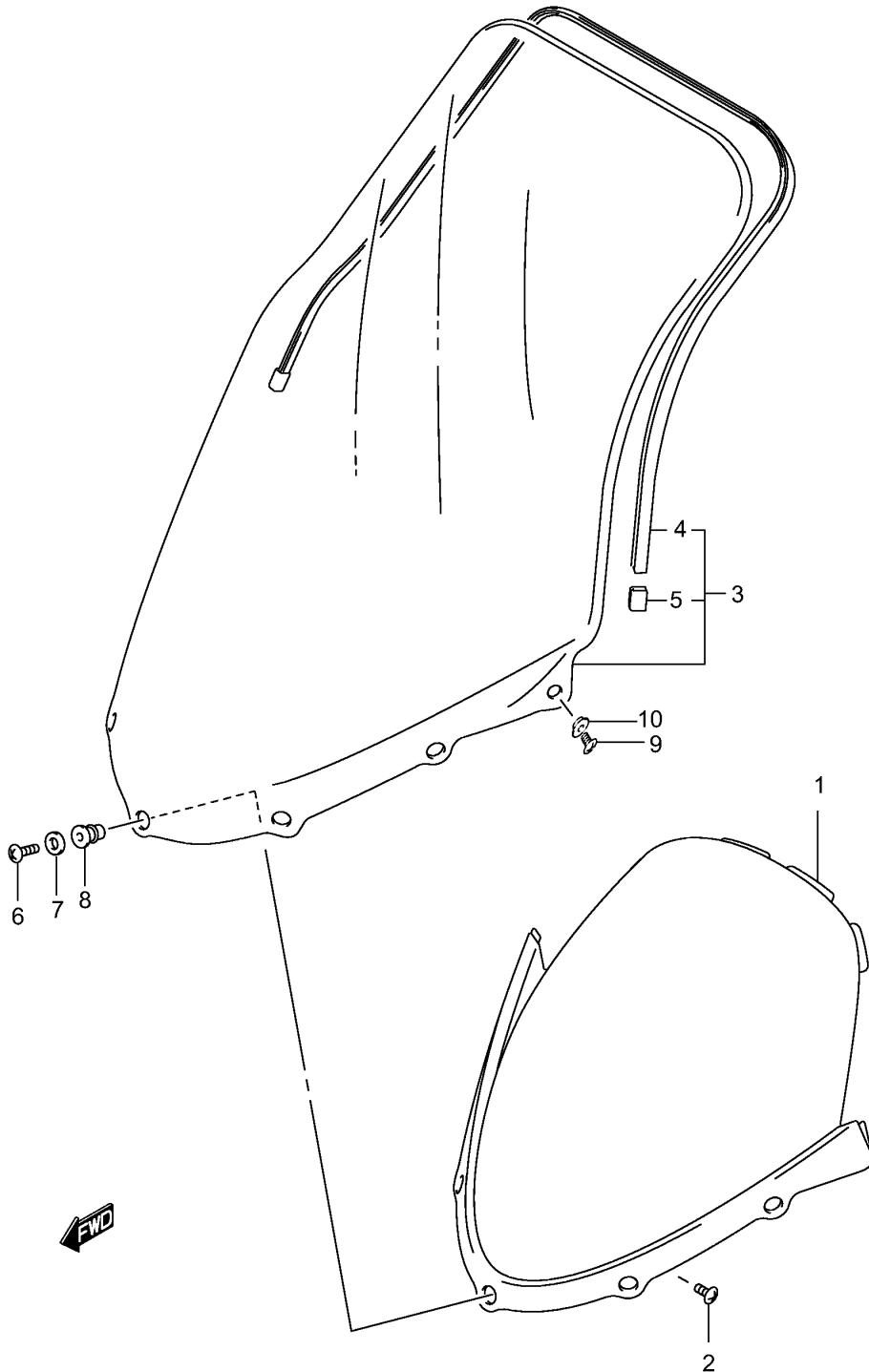




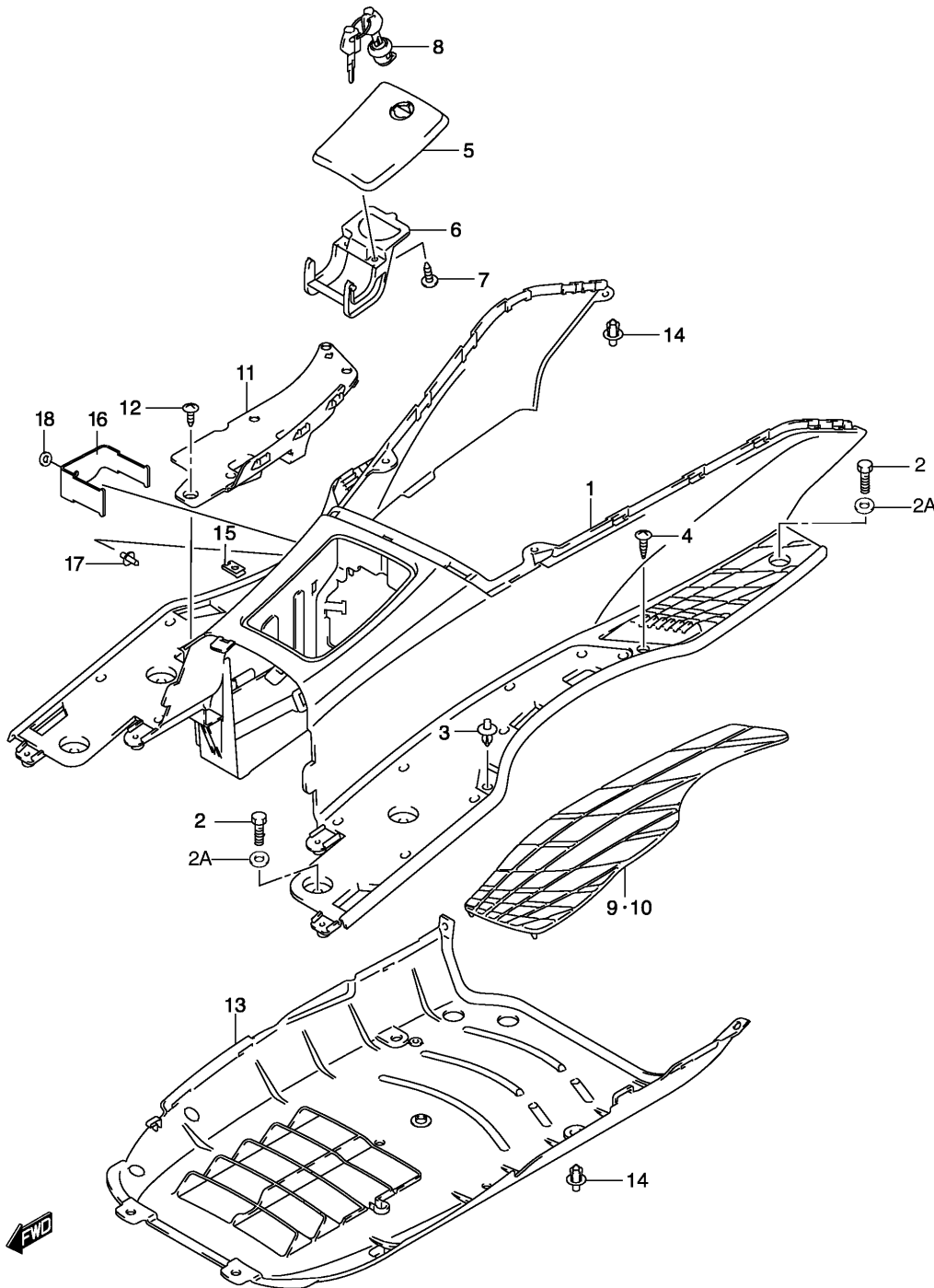
Ref No	Part No	Description
1	48131-49F00-Y7L	Cover, Front Leg (black)
2	48132-49F00	Molding, Front Cover
3	68641-49F00-M7P	Emblem, "s"
4	02142-05165	Screw
5	48111-49F00-YD8	Shield, Leg Front (silver)
5	48111-49F00-YBA	Shield, Leg Front (blue)
5	48111-49F00-YAU	Shield, Leg Front (gray)
6	D91BL-4815A	Nut
7	48150-07E00-EE3	Brace, Leg Shield
8	D1507-08165	Bolt
9	D8321-01085	Washer, Spring
10	48167C14F00J000	Tape, Windscreen
11	48137-49F00-26B	Shield, Leg Lower (gray)
12	09409-08308-5ES	Clip (black)
13	48170-49F00-EE3	Bracket, Front Leg Rh
14	48180-49F00-EE3	Bracket, Front Leg Lh
15	03541-05165	Screw
16	D3111-05325	Screw, Lower
17	D2116-06125	Bolt



Ref No	Part No	Description
1	48131-49F00-YD8	Cover, Front Leg (silver)
1	48131-49F00-YC2	Cover, Front Leg (blue)
1	48131-49F00-YAU	Cover, Front Leg (gray)
1	48131-49F00-Y7L	Cover, Front Leg (black)
1	48131-49F00-28V	Cover, Front Leg (red)
2	48132-49F00	Molding, Front Cover
3	68641-14G00	Emblem, "s"
1	02142-05165	Screw
5	48111-49F00-YD8	Shield, Leg Front (silver)
5	48111-49F00-YC2	Shield, Leg Front (blue)
5	48111-49F00-YAU	Shield, Leg Front (gray)
5	48111-49F00-Y7L	Shield, Leg Front (black)
5	48111-49F00-28V	Shield, Leg Front (red)
6	D91BL-4815A	Nut
7	48150-07E00-EE3	Brace, Leg Shield
8	D1507-08165	Bolt
9	D8321-01085	Washer, Spring
10	48167C14F00J000	Tape, Windscreen
11	48137-49F00-26B	Shield, Leg Lower (gray)
12	09409-08308-5ES	Clip (black)
13	48170-49F00-EE3	Bracket, Front Leg Rh
14	48180-49F00-EE3	Bracket, Front Leg Lh
15	03541-05165	Screw
16	D3111-05325	Screw, Lower
17	D2116-06125	Bolt

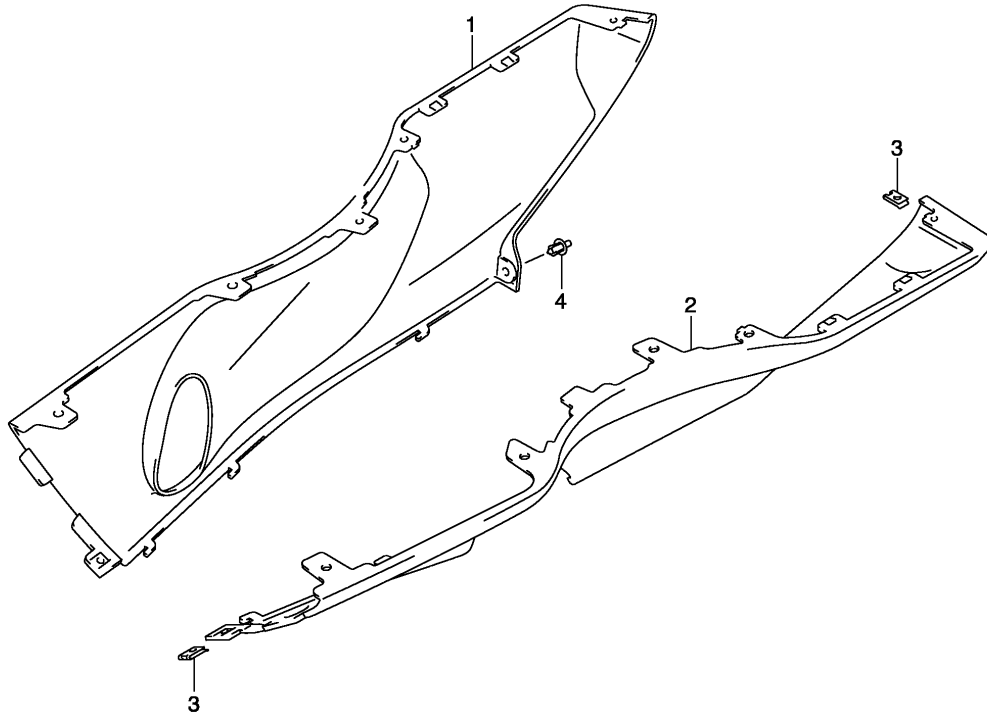


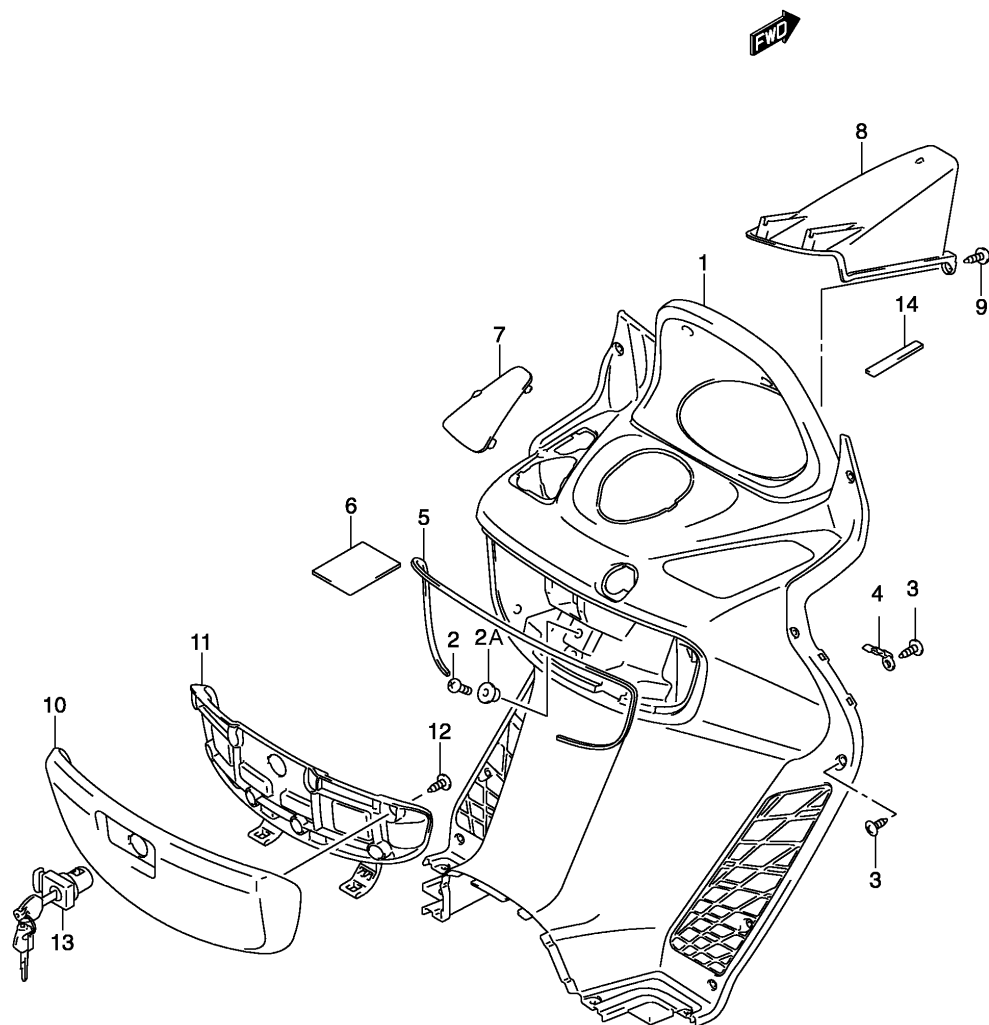
Ref No	Part No	Description
1	94421-07E00-Y0J	Panel, Meter Lower (gray)
2	02142-05165	Screw
3	94610-07E10	Windscreen Assy
4	94631-49F00	• . Molding
5	94637-19C00	• . Cap
6	D2116-05165	Screw
7	D8322-91055	Washer
8	09689-05019	Nut
9	D2116-05165	Screw, Brace
10	09169C05009JE0N	Washer



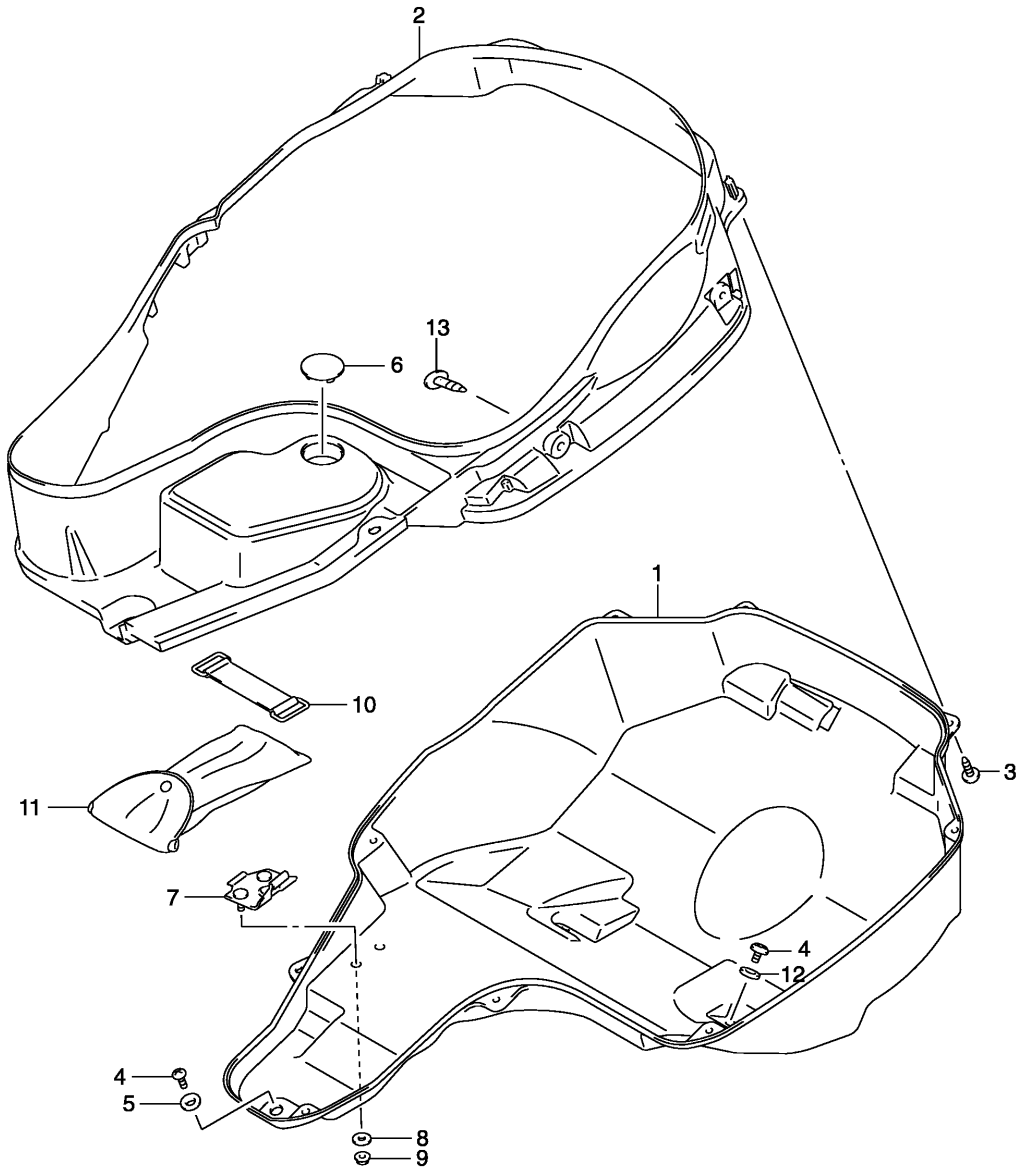
Ref No	Part No	Description
1	48121-49F00-Y0J	Footboard, Front (gray)
2	D1507-06205	Bolt
2a	D8322-91065	Washer
3	09409-08308-5ES	Clip (black)
4	03541-05165	Screw
5	48125-49F00-Y0J	Lid, Fuel (gray)
6	48126-49F00	Damper, Fuel Lid
7	03541-05165	Screw, Fuel Lid
8	92130-25E00	Lock Set, Fuel Lid
9	48211-49F00-NE2	Mat, Floor Rh (black)
10	48221-49F00-NE2	Mat, Floor Lh (black)
11	48127-49F01-Y0J	Lid, Battery Holder (gray)
12	03541-05165	Screw
13	48138-49F00-NE2	Shield, Leg Rear (black)
14	09409-08308-5ES	Clip (black)
15	D91EE-04166	Nut
16	47412-49F00-E0N	Plate, Relay Fitting
17	09229C03020J000	Rivet, Blind
18	D8322-01035	Washer

Ref No	Part No	Description
1	48171-49F00-26B	Shield, Leg Side Rh (gray)
1	48171-49F10-YD8	Shield, Leg Side Rh (silver)
2	48181-49F00-26B	Shield, Leg Side Lh (gray)
2	48181-49F10-YD8	Shield, Leg Side Rh (silver)
3	D91BL-4815A	Nut
4	09409-08308-5ES	Clip (black)

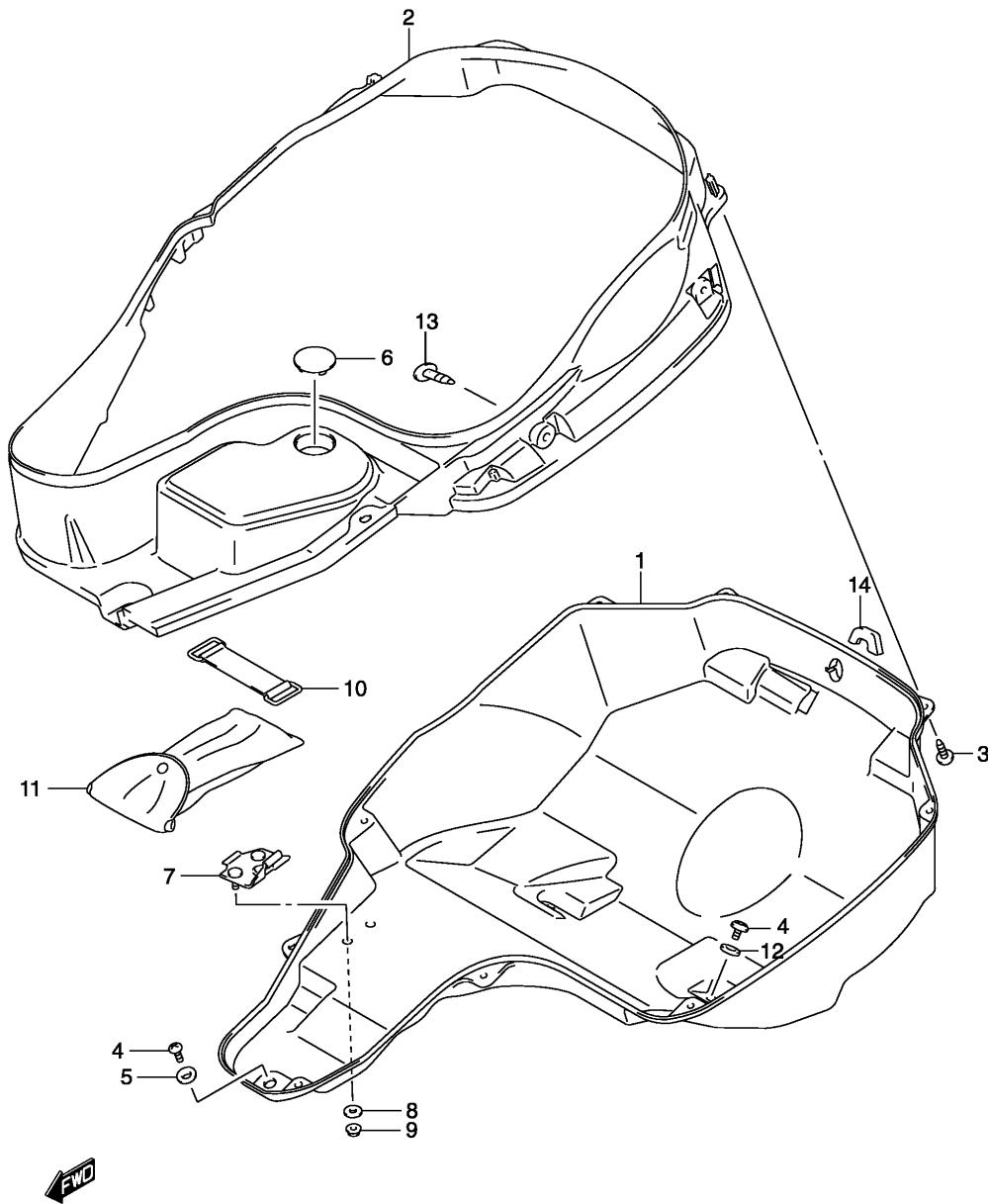




Ref No	Part No	Description
1	92111-49F00-Y0J	Box, Front (gray)
2	D2116-06165	Screw (6x16)
2a	09169C06034JE0N	Washer
3	03541-05165	Screw
4	92113C47A00J000	Plate, Front Box Hinge
5	92114-49F00	Cushion, Front Box No.1
6	92141-49F00	Cushion, Front Box No.2
7	92112-49F00-Y0J	Lid, Upper Lh (gray)
8	92123-49F00-Y0J	Box, Inner (gray)
9	03541-05165	Screw
10	92121-49F00-Y0J	Lid, Front Box No.1 (gray)
11	92122-49F00	Lid, Front Box No.2
12	03541-04125	Screw, Lid
13	92130-14FA0	Lock Set, Front Box
14	92142-49F00	Cushion, Front Box No. 3

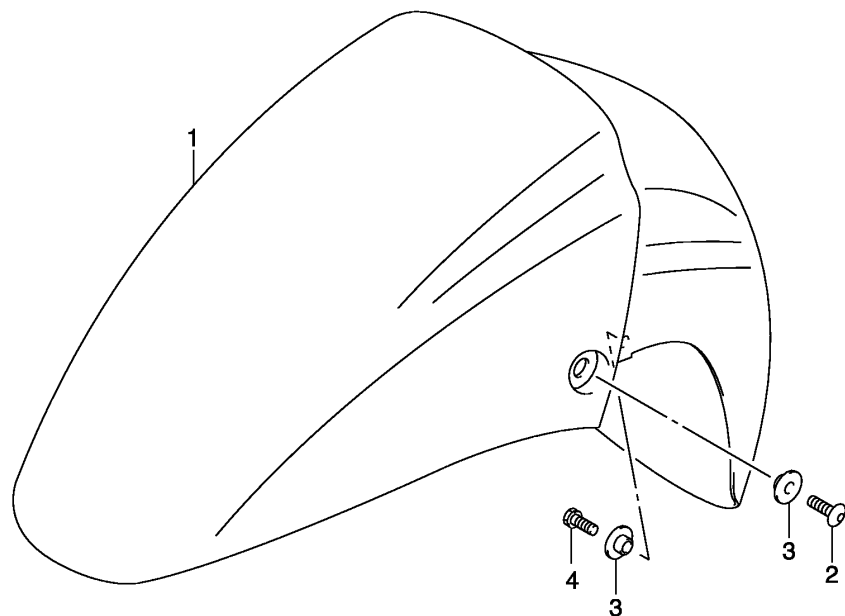
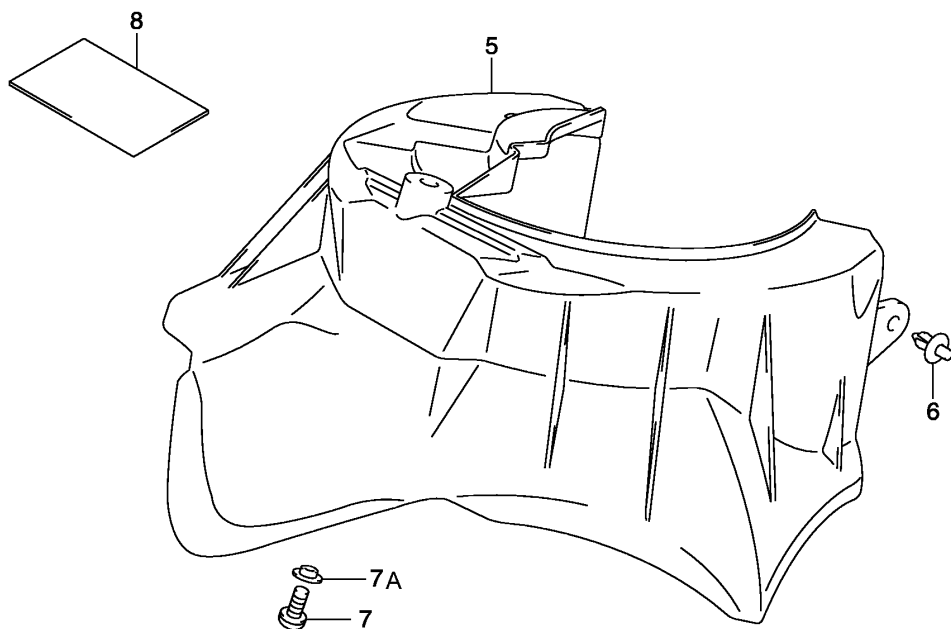


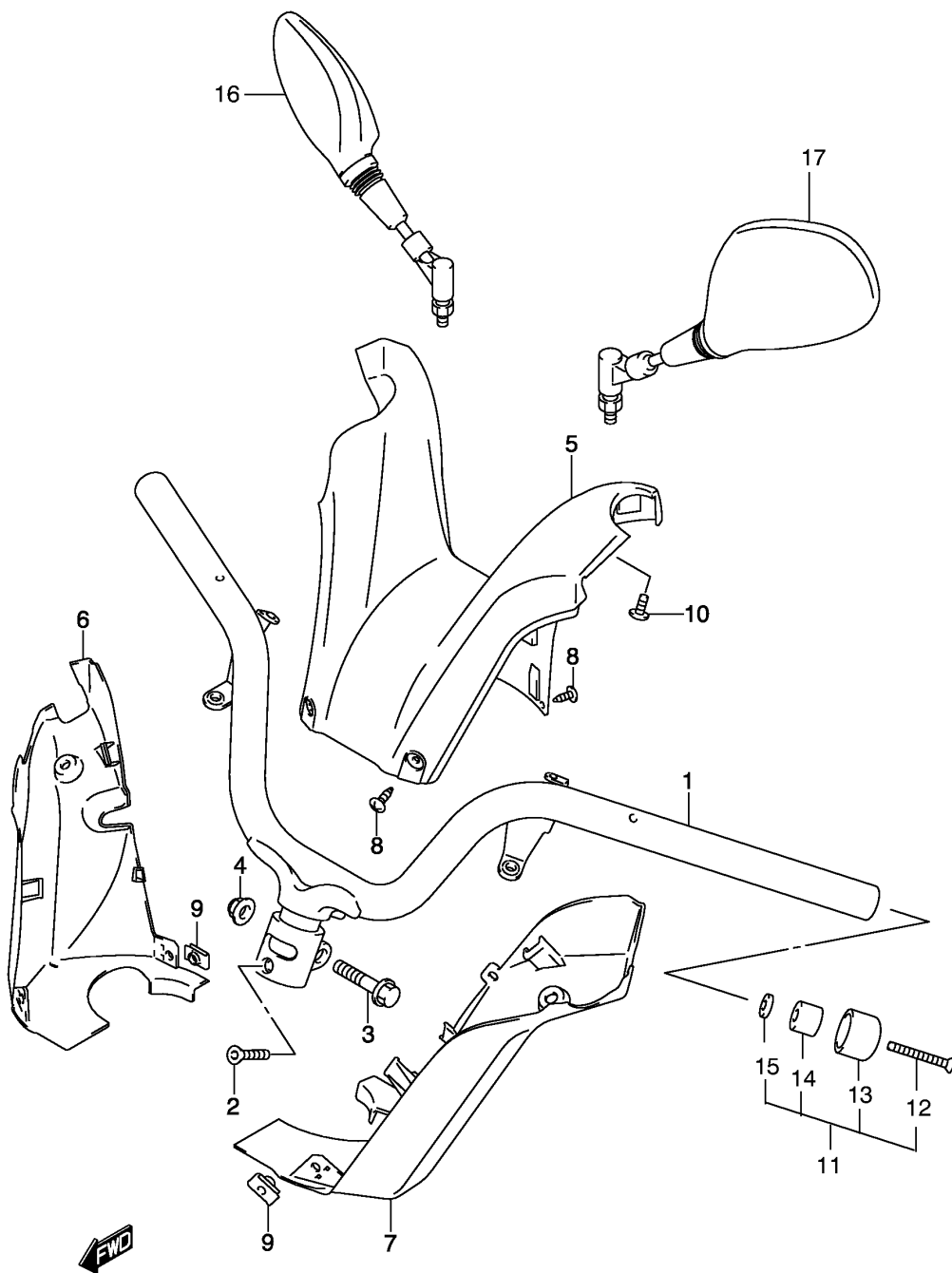
Ref No	Part No	Description
1	92211-49F00	Box, Helmet Lower
2	92221-49F00	Box, Helmet Upper
3	03541-05165	Screw
4	D2116-06165	Screw
5	09169C06031JE0N	Washer
6	47232-09E00-NE2	Cap
7	41550-49F00	Holder, Tool
8	D8322-91065	Washer, Holder
9	D8310-00065	Nut, Holder
10	09462-00073	Band, Tool
11	09800-21040-H00	Tool Assy
12	D8322-91065	Washer
13	03541-05165	Screw



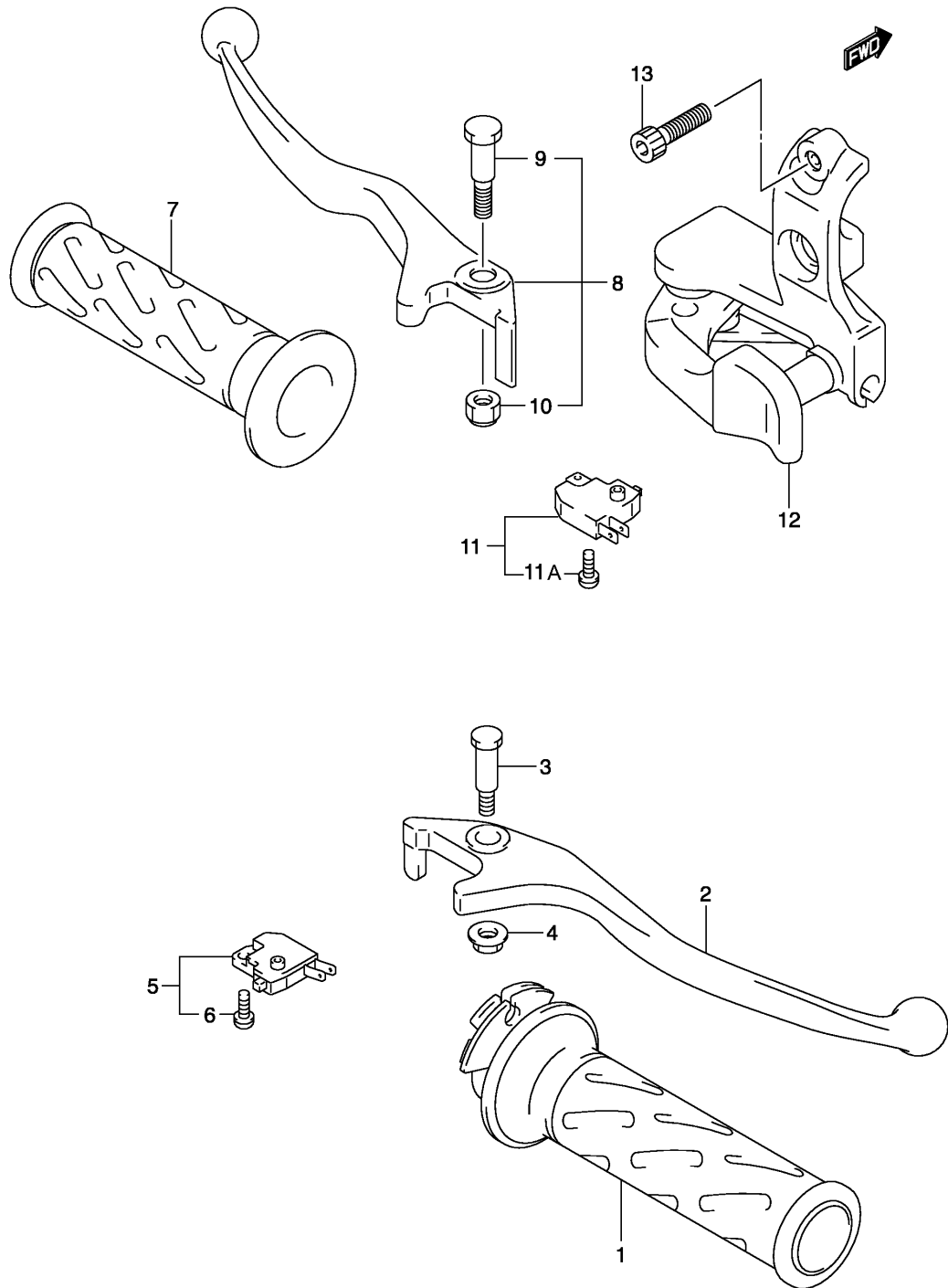
Ref No	Part No	Description
1	92211-07E00	Box, Helmet Lower
2	92221-49F00	Box, Helmet Upper
3	03541-05165	Screw
4	D2116-06165	Screw
5	09169C06031JE0N	Washer
6	47232-09E00-NE2	Cap
7	41550-49F00	Holder, Tool
8	D8322-91065	Washer, Holder
9	D8310-00065	Nut, Holder
10	09462-00073	Band, Tool
11	09800C21040JF00	Tool Assy
12	D8322-91065	Washer
13	03541-05165	Screw
14	92117-10G00	Cushion No. 4

Ref No	Part No	Description
1	53111-49F00-YD8	Fender, Front (silver)
1	53111-49F00-Y9H	Fender, Front (yellow)
1	53111-49F00-YC2	Fender, Front (blue)
1	53111-49F00-Y7G	Fender, Front (green)
1	53111-49F00-Y7H	Fender, Front (blue)
1	53111-49F00-YBA	Fender, Front (blue)
1	53111-49F00-YAU	Fender, Front (gray)
1	53111-49F00-YC2	Fender, Front (blue)
1	53111-49F00-Y7L	Fender, Front (black)
1	53111-49F00-28V	Fender, Front (red)
2	D2116-06165	Screw, Front
3	09169C06045J000	Washer
4	D1507-06165	Screw, Rear
5	53182-49F00	Fender, Fixed Front
6	09409-08308-5ES	Clip (black)
7	D2116-06165	Bolt
7a	09169C06034JE0N	Washer
8	53145-49F00	Cushion, Fixed Fender



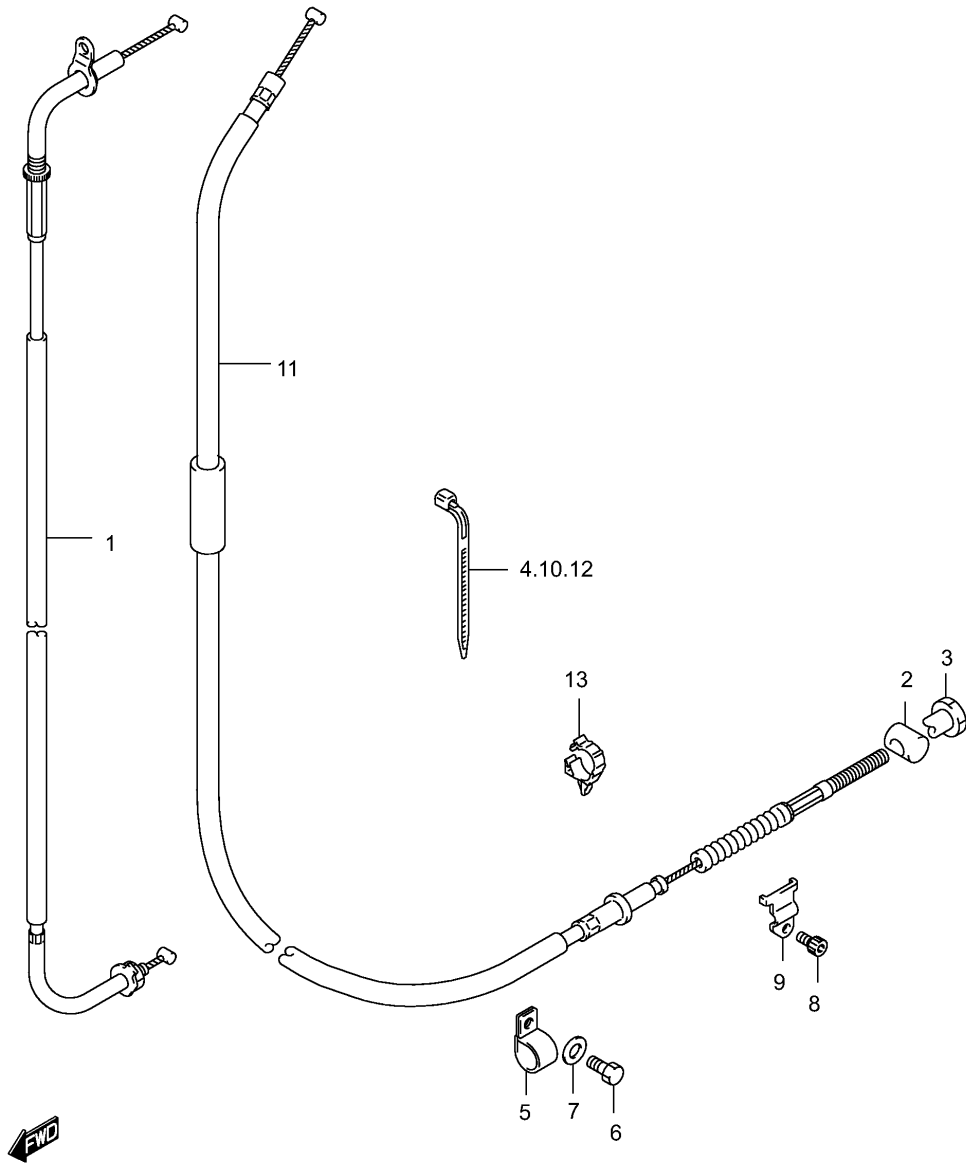


Ref No	Part No	Description
1	56110-49F00-EE3	Handlebar
2	09689-E0004-E0Z	Screw, Handlebar
3	09689-10116	Bolt, Clamp
4	D8311-79108	Nut, Clamp
5	56311-49F00-Y0J	Cover, Handle Upper (gray)
6	56321-49F00-Y0J	Cover, Handle Lower Rh (gray)
7	56331-49F00-Y0J	Cover, Handle Lower Lh (gray)
8	03541-04165	Screw
9	D91EE-04166	Nut
10	D2116-05125	Screw
11	57220-49F00	Cap Assy, Grip End
12	D2127-06355	• . Screw
13	56274-33400-EE3	• . Cap
14	09180-12141	• . Spacer
15	56275-34401	• . Spacer, Balancer
16	56500-49F00	Mirror Assy, Rr View Rh
17	56600-49F00	Mirror Assy, Rr View Lh

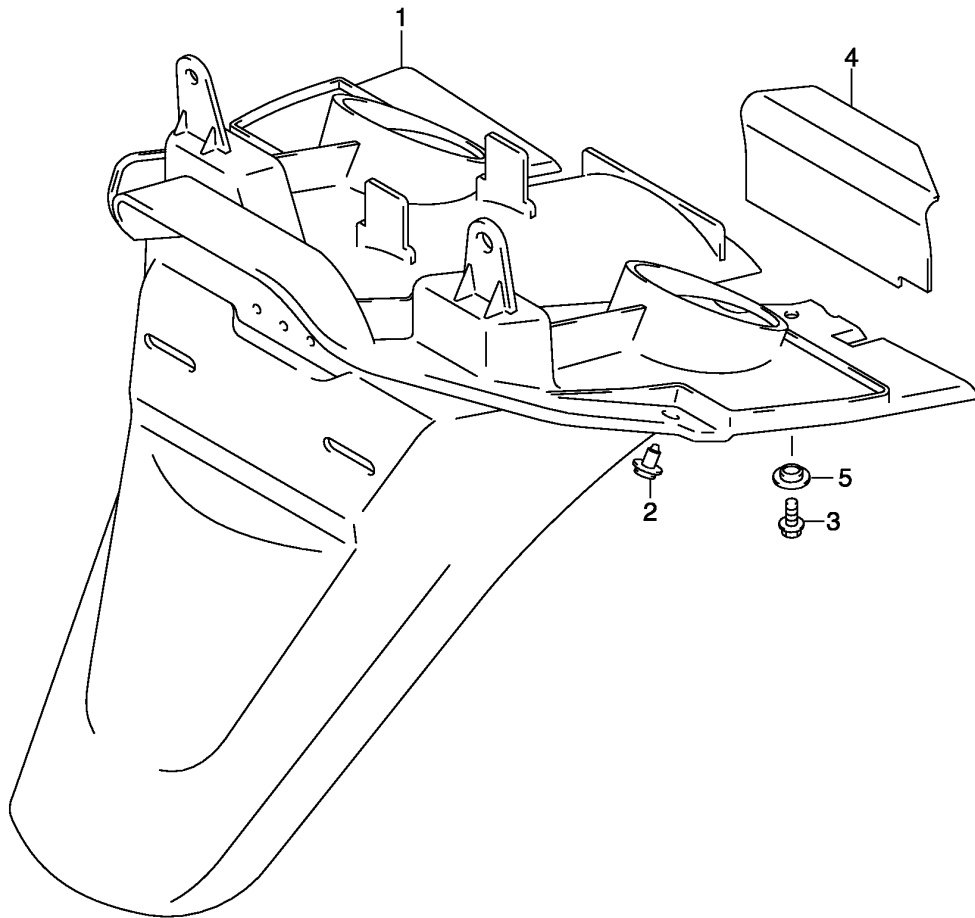


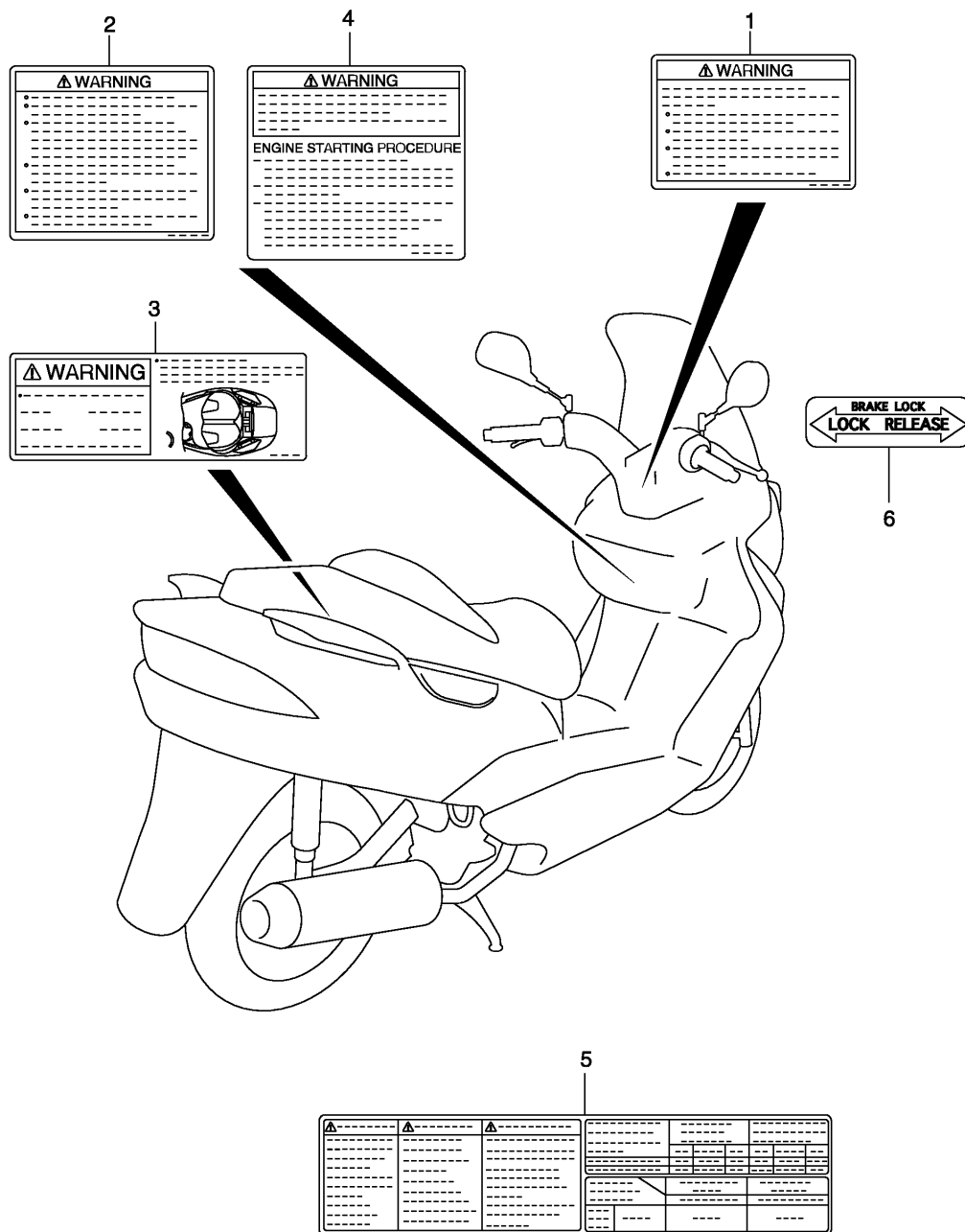
Ref No	Part No	Description
1	57110-07E01	Grip, Throttle
2	57421-14F00	Lever, Front Brake
3	57431-04F00	Bolt, Brake Lever Pivot
4	57433-09F00	Nut, Lever Pivot
5	57460-17C01	Switch Assy, Front Brake
6	57465-17C00	. . Screw
7	57211-07E00	Grip, Lh
8	57500-14F00	Lever Assy, Rear Brake
9	57431-04F00	. . Bolt, Brake Lever Pivot
10	08319-21063	. . Nut
11	57560-14F01	Switch Assy, Rear Brake
11a	57465-17C00	. . Screw
12	57800-49F00	Lever Assy, Brake Lock
13	D7107-06205	Bolt

Ref No	Part No	Description
1	58300C49F11J000	Cable Assy, Throttle
2	58164-49F00	Pin
3	09150C05101J000	Nut
4	D9436-01425	Clamp, Rear Brake Cable
5	58577-07E00-EE3	Clamp, Rear Brake Cable
6	D1507-06125	Bolt
7	D8322-01065	Washer
8	D7107-06125	Bolt
9	58575C16F00J000	Stopper, Cable
10	D9448-01885	Clamp
11	58810-07E10	Cable, Brake Lock
12	D9477-02995	Clamp
13	09403C17306J000	Clamp, Lock Cable

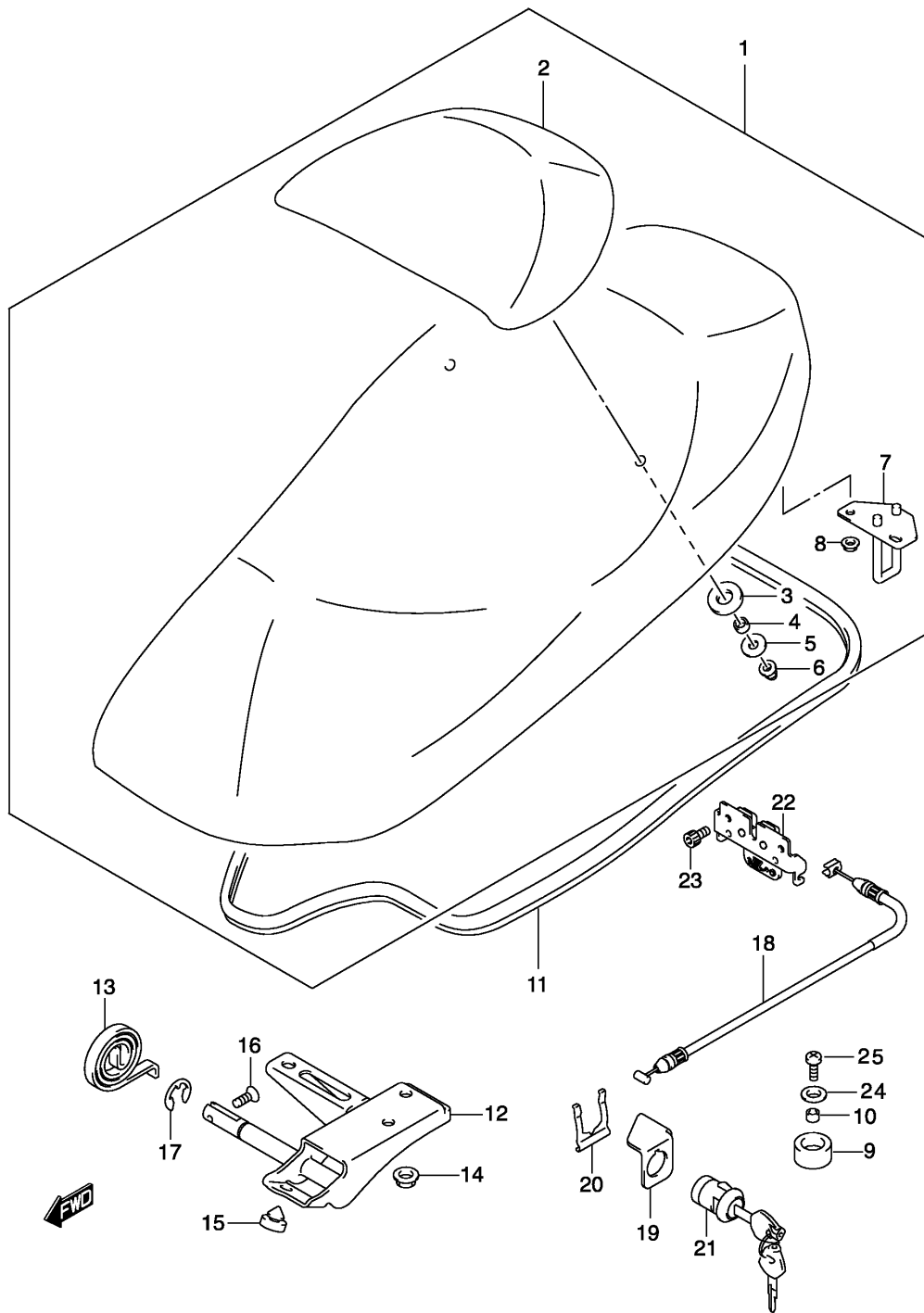


Ref No	Part No	Description
1	63111-49F00-Y0J	Fender, Rear
2	09409-06314-5PK	Clip (black)
3	D2116-06165	Bolt (6x16)
4	63411-49F00-NE2	Mudguard, Rear Fender
5	09169C06034JE0N	Washer





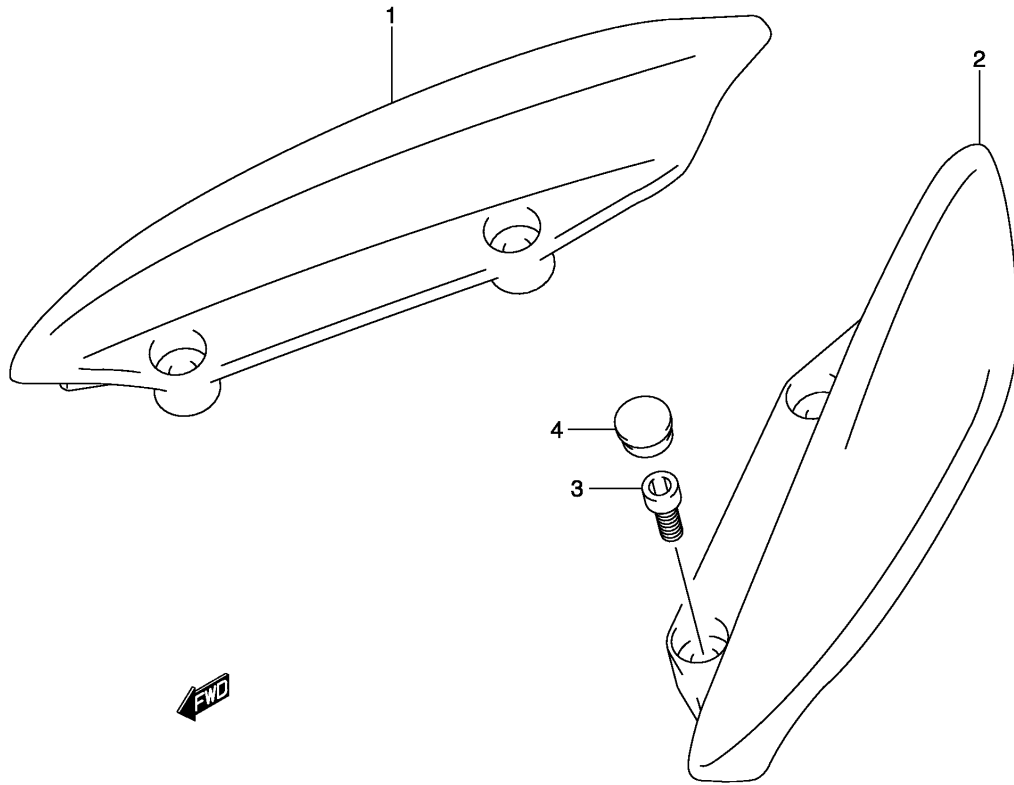
Ref No	Part No	Description
1	68319-29F00	Label, Warning (english)
1	68319-29F20	Label, Warning (german)
1	68319-29F30	Label, Warning (french)
1	68319-29F40	Label, Warning (italian)
1	68319-29F50	Label, Warning (spanish)
1	68319-29F70	Label, Warning (dutch)
1	68319-29F80	Label, Warning (portuguese)
1	68319-30F40	Label, Warning (italian)
2	68922-29F00	Label, Screen (english)
2	68922-29F20	Label, Screen (german)
2	68922-29F30	Label, Screen (french)
2	68922-29F40	Label, Screen (italian)
2	68922-29F50	Label, Screen (spanish)
2	68922-29F70	Label, Screen (dutch)
2	68922-29F80	Label, Screen (portuguese)
2	68922-14F40	Label, Screen (italian)
3	68911-49F00	Label, Capacity (english)
3	68911-49F20	Label, Capacity (german)
3	68911-49F30	Label, Capacity (french)
3	68911-49F40	Label, Capacity (italian)
3	68911-49F50	Label, Capacity (spanish)
3	68911-49F70	Label, Capacity (dutch)
3	68911-49F80	Label, Capacity (portuguese)
3	68391-49F40	Label, Capacity (italian)
4	68915-29F00	Label, Starting (english)
4	68915-29F20	Label, Starting (german)
4	68915-29F30	Label, Starting (french)
4	68915-29F40	Label, Starting (italian)
4	68915-29F50	Label, Starting (spanish)
4	68915-29F70	Label, Starting (dutch)
4	68915-29F80	Label, Starting (portuguese)
4	68915-30F40	Label, Starting (italian)
5	68332-07E00	Label, Tire Information
6	57891-49F00	Label, Brake Lock
7	99011-49F61-01A	Manual, Owner's (english)
7	99011-49F61-01E	Manual, Owner's (italian)
7	99011-49F61-01F	Manual, Owner's (french)
7	99011-49F61-01H	Manual, Owner's (dutch)
7	99011-49F61-01K	Manual, Owner's (german)
7	99011-49F61-029	Manual, Owner's (spanish)



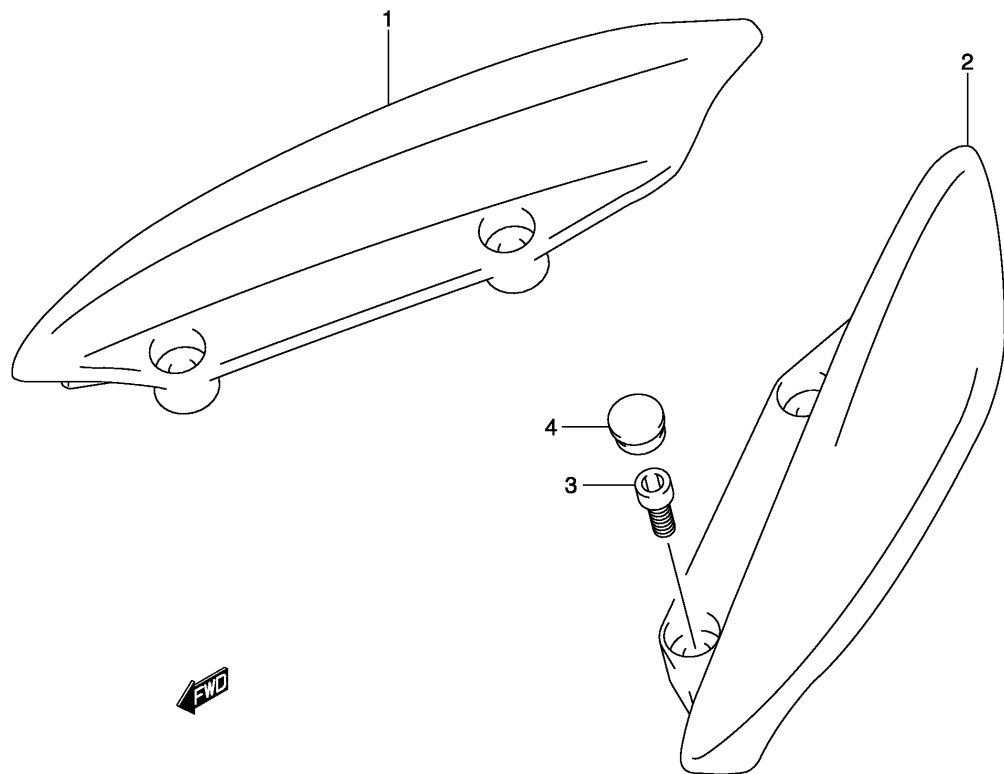
**SEAT**

Ref No	Part No	Description
1	45100-07E00-4HS	Seat Assy
2	45300-49F00	. Backrest, Seat
3	45149-14F00	.. Cushion, Backrest
5	D8322-91065	. Washer
6	D8313-10065	. Nut
7	45210-49F00	. Striker, Seat Lock
8	D8316-10065	. Nut
9	45141-49F00	Cushion, Seat Mount Rear
10	09180C06259J000	Spacer
11	45211-07E10	Molding, Seat
12	45250-49F00	Bracket, Seat Hinge Upper
13	45275-49F00	Spring
14	D8316-10065	Nut
15	09321C10002J000	Stopper, Seat Hinge
16	D2126-05125	Screw
17	D8332-11126	E Ring
18	45280-49F00	Cable, Seat Lock
19	45288-49F00	Guide, Seat Lock Cable
20	45289-49F00	Plate, Seat Lock No.2
21	95700-46F00	Lock Set, Seat No.2
22	45700-30F00	Lock Assy, Seat No.1
23	D7107-06125	Bolt
24	D8322-91065	Washer
25	D2116-06165	Bolt

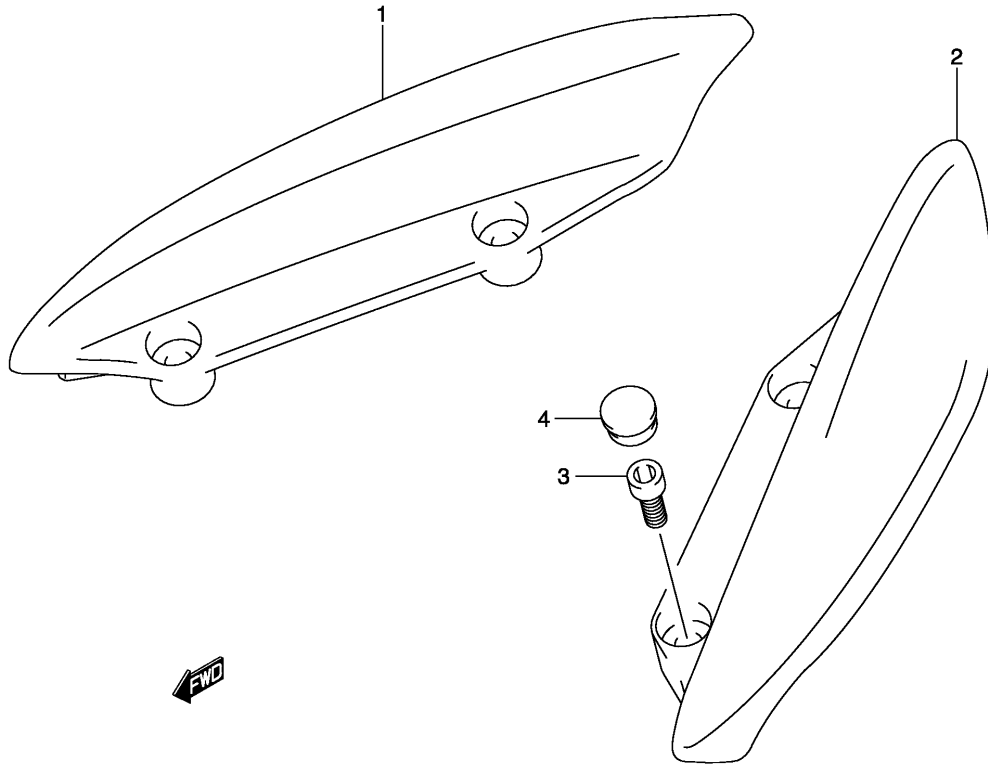
Ref No	Part No	Description
1	46211-49F00-YC2	Handle, Pillion Rider Rh (blue)
1	46211-49F00-YD8	Handle, Pillion Rider Rh (silv)
1	46211-49F00-Y9H	Handle, Pillion Rider Rh (yell)
2	46221-49F00-YC2	Handle, Pillion Rider Lh (blue)
2	46221-49F00-YD8	Handle, Pillion Rider Lh (silv)
2	46221-49F00-Y9H	Handle, Pillion Rider Lh (yell)
3	D7107-08205	Bolt
4	09250C19001J000	Cap



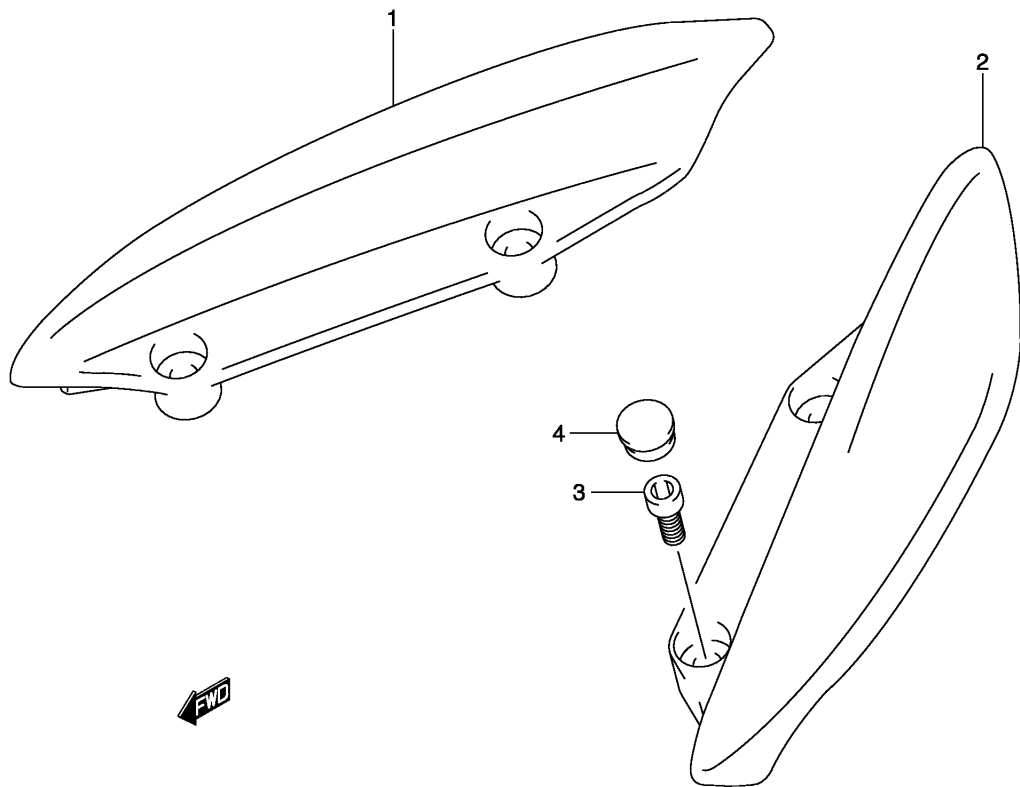
Ref No	Part No	Description
1	46211-49F00-YC2	Handle, Pillion Rider Rh (blue)
1	46211-49F00-YD8	Handle, Pillion Rider Rh (silv)
1	46211-49F00-Y9H	Handle, Pillion Rider Rh (yell)
1	46211-49F00-Y7G	Handle, Pillion Rider Rh (gree)
2	46221-49F00-YC2	Handle, Pillion Rider Lh (blue)
2	46221-49F00-YD8	Handle, Pillion Rider Lh (silv)
2	46221-49F00-Y9H	Handle, Pillion Rider Lh (yell)
2	46221-49F00-Y7G	Handle, Pillion Rider Lh (gree)
3	D7107-08205	Bolt
4	09250C19001J000	Cap

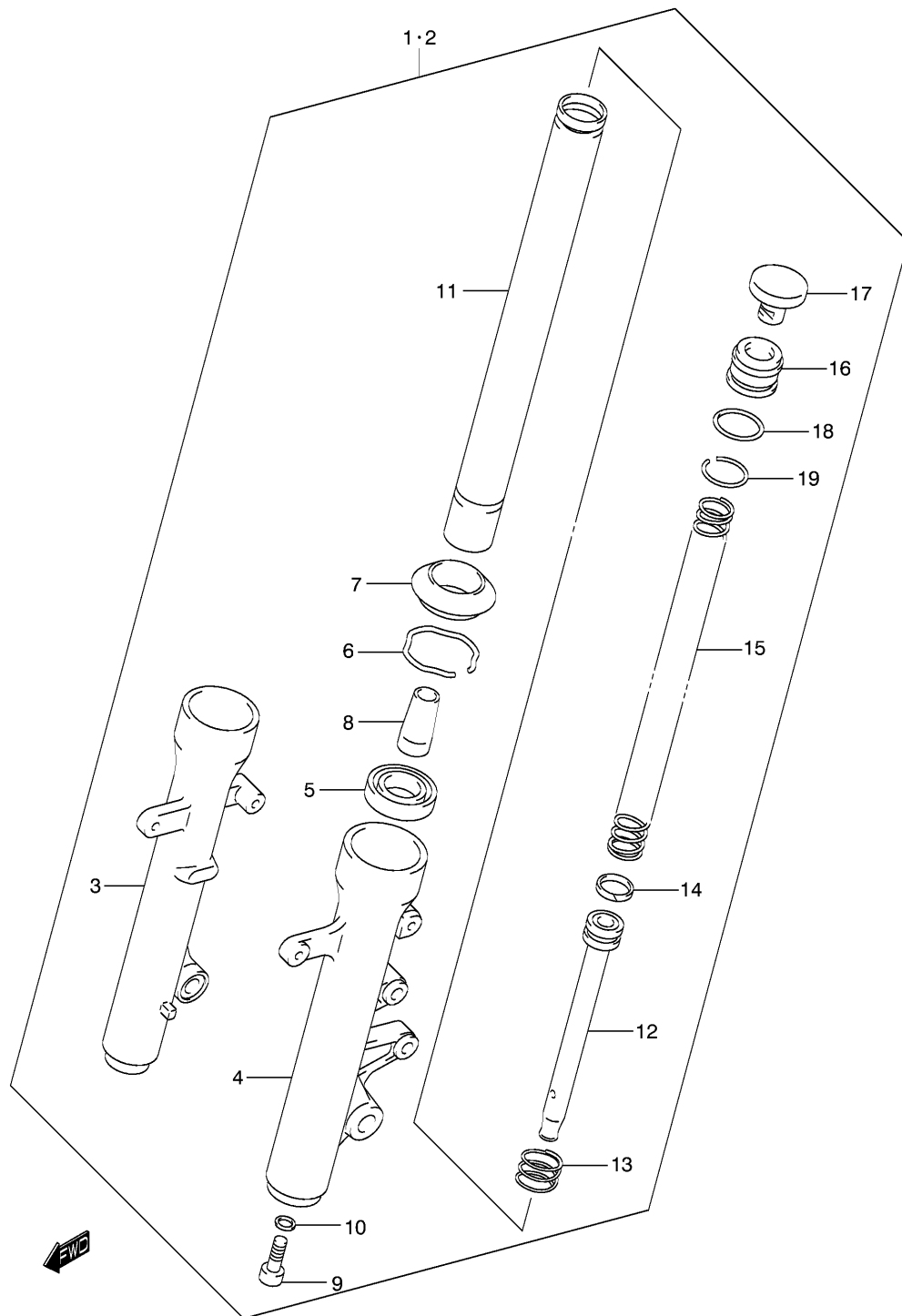


Ref No	Part No	Description
1	46211-49F00-YBA	Handle, Pillion Rider Rh (blue)
1	46211-49F00-YD8	Handle, Pillion Rider Rh (silv)
1	46211-49F00-YAU	Handle, Pillion Rider Rh (gray)
2	46221-49F00-YBA	Handle, Pillion Rider Lh (blue)
2	46221-49F00-YD8	Handle, Pillion Rider Lh (silv)
2	46221-49F00-YAU	Handle, Pillion Rider Lh (gray)
3	D7107-08205	Bolt
4	09250C19001J000	Cap

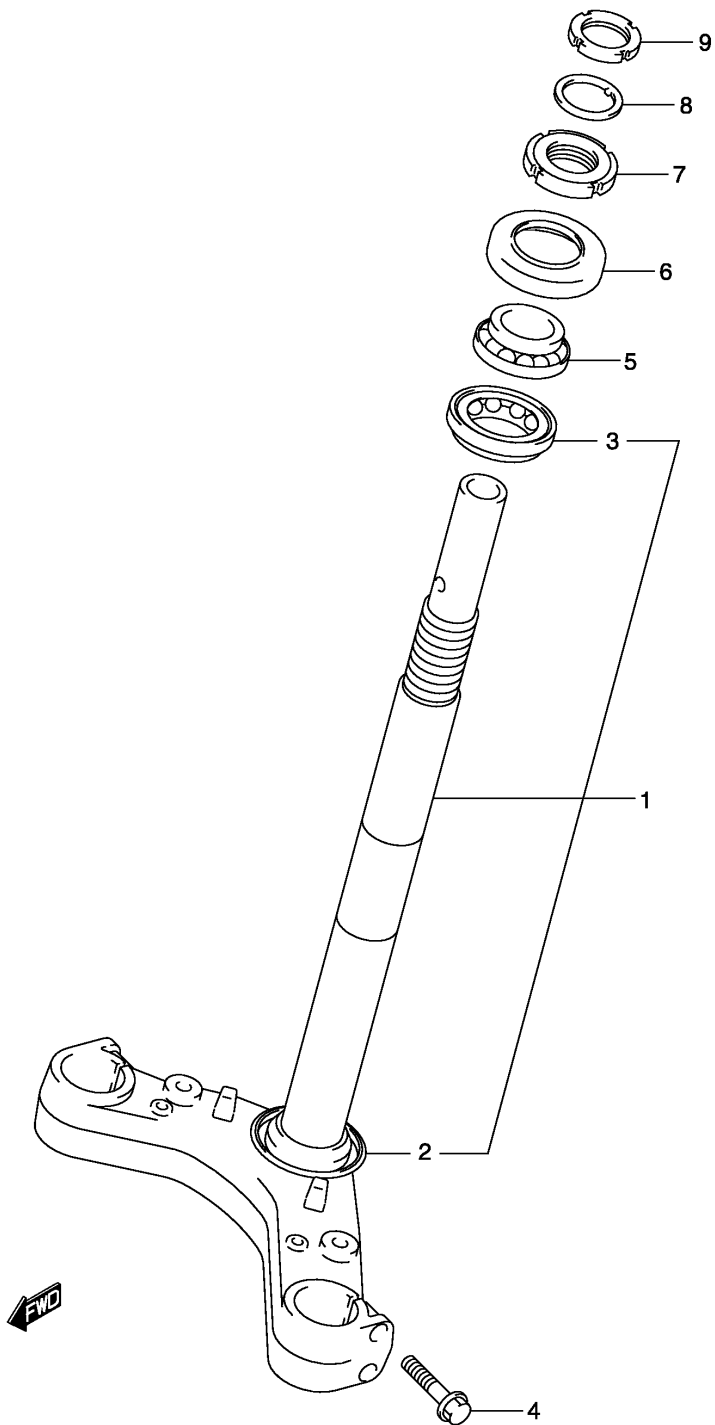


Ref No	Part No	Description
1	46211-49F00-YC2	Handle, Pillion Rider Rh (blue)
1	46211-49F00-YD8	Handle, Pillion Rider Rh (silv)
1	46211-49F00-YAU	Handle, Pillion Rider Rh (gray)
1	46211-49F00-Y7L	Handle, Pillion Rider Rh (blac)
1	46211-49F00-28V	Handle, Pillion Rider Rh (red)
2	46221-49F00-YC2	Handle, Pillion Rider Lh (blue)
2	46221-49F00-YD8	Handle, Pillion Rider Lh (silv)
2	46221-49F00-YAU	Handle, Pillion Rider Lh (gray)
2	46221-49F00-Y7L	Handle, Pillion Rider Lh (blac)
2	46221-49F00-28V	Handle, Pillion Rider Lh (red)
3	D7107-08205	Bolt
4	09250C19001J000	Cap

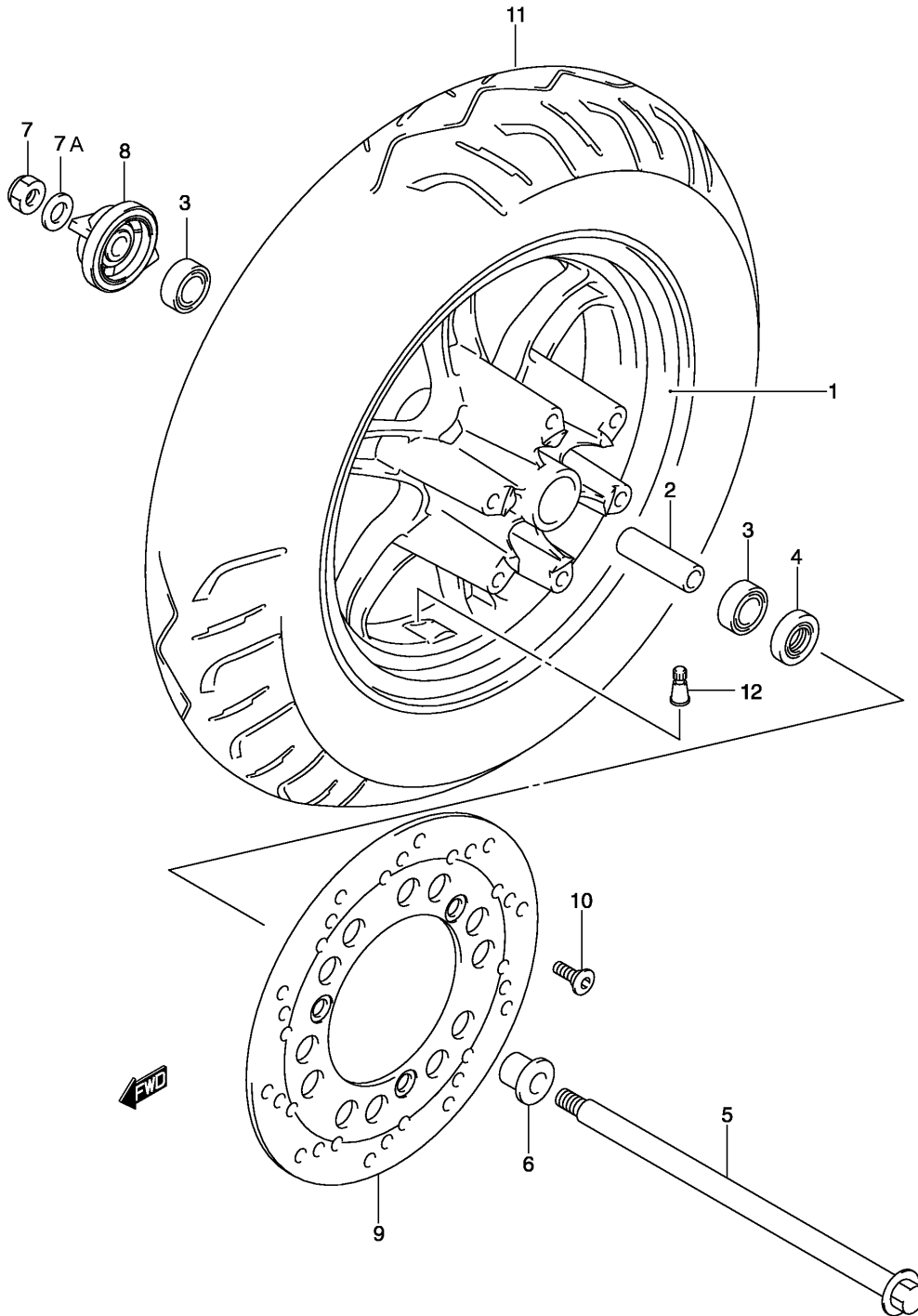




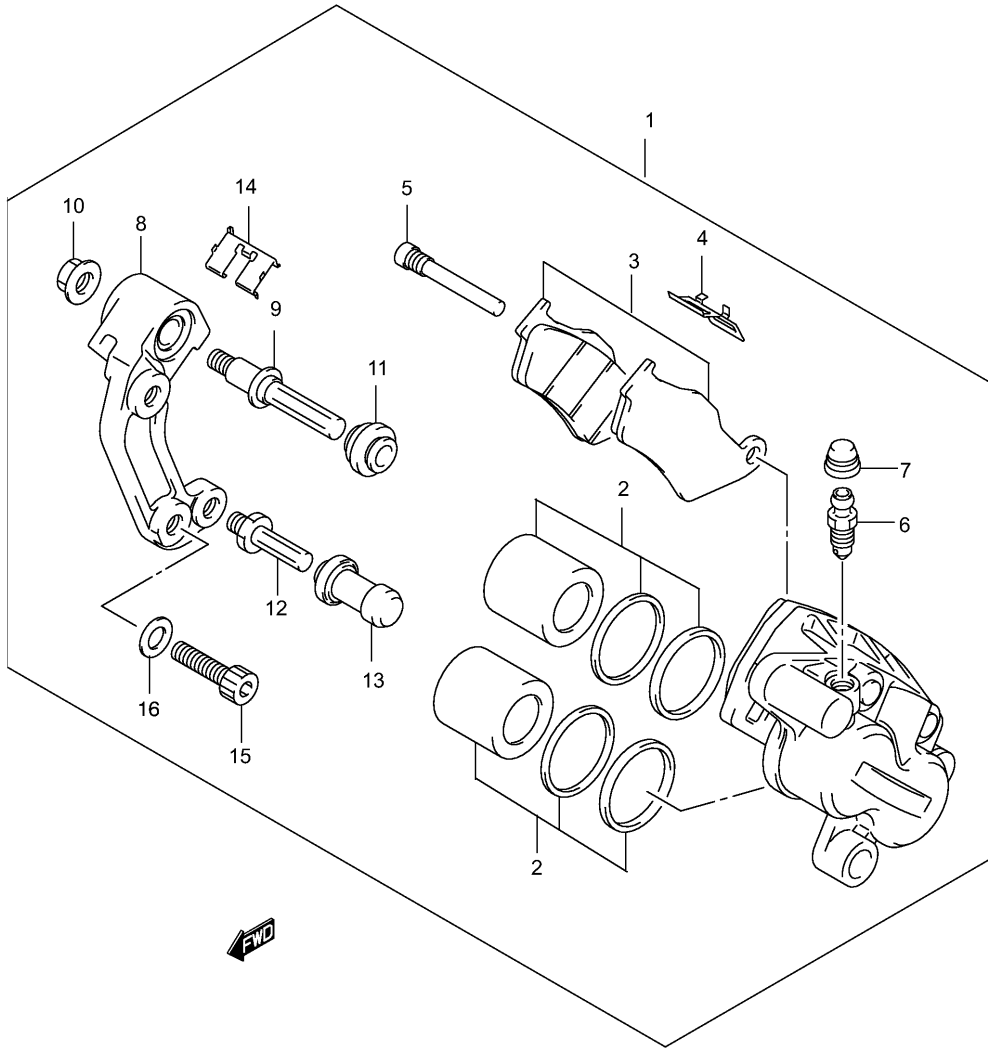
Ref No	Part No	Description
1	51103-49F00	Damper Assy, Front Fork Rh
2	51104-49F00	Damper Assy, Front Fork Lh
3	51131-49F00	. Tube, Outer Rh
4	51141-49F00	. Tube, Outer Lh
5	51153-49F00	. Seal, Oil
6	51156-09EF0	. Ring, Stopper
7	51571-09EF0	. Seal, Dust
8	51195-38300	. Piece, Oil Lock
9	51147-49F00	. Bolt
10	51148-31030	. Gasket
11	51110-49F00	. Tube, Inner
12	51146-49F00	. Cylinder
13	51177-36030	. Spring, Rebound
14	51196-33130	. Ring, Piston
15	51171-49F00	. Spring, Front
16	51175-49F00	. Seat, Spring
17	51189-09EF0	. Cap
18	51117-43EC0	. O Ring
19	51169-48500	. Ring, Stopper



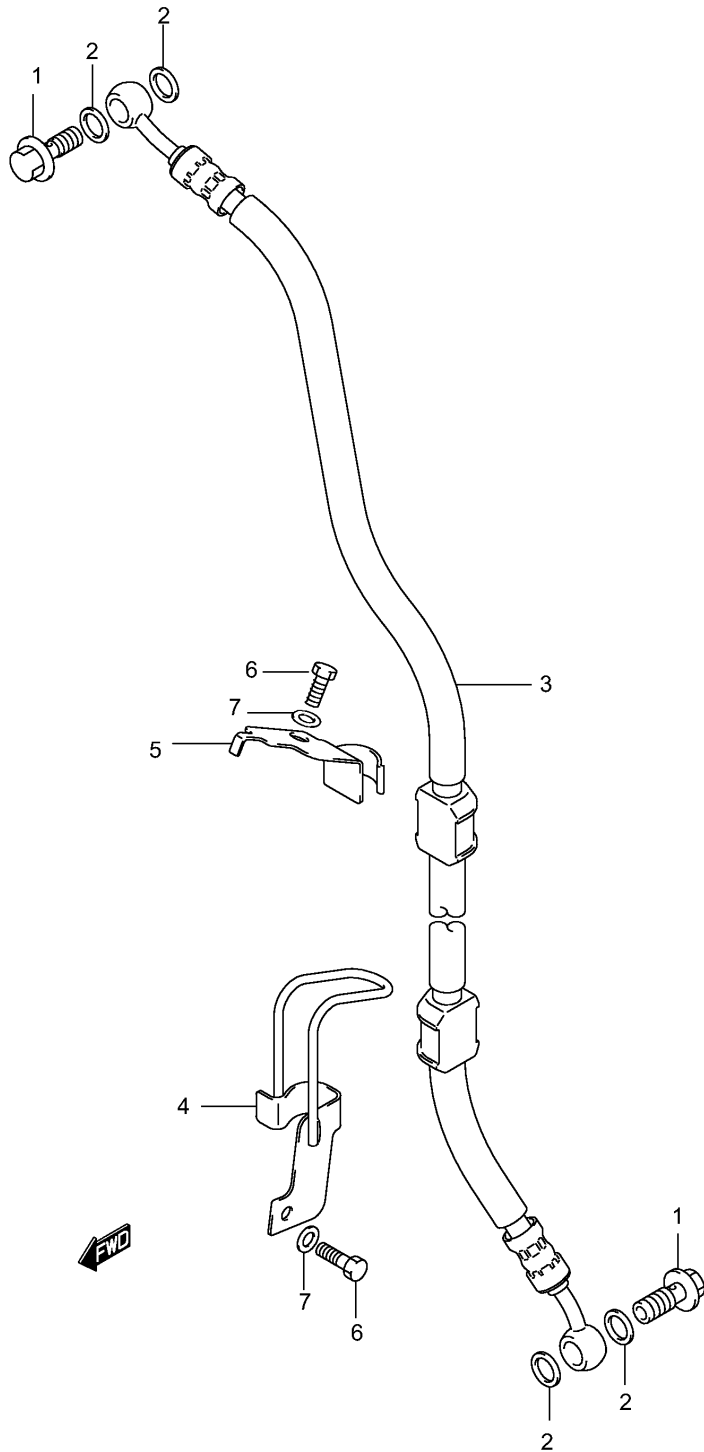
Ref No	Part No	Description
1	51410-49F00	Stem, Steering
2	51644-12C00	• Seal, Lower
3	09267-30010	• Bearing (30x55x17)
4	51166-49F00	• Bolt
5	09267-25009	Bearing (25x47x15)
6	51643-40502	Seal, Dust
7	51631C28000JE0Z	Nut, Stem
8	09166-02E00-E0Z	Washer
9	51632C02400JE0Z	Nut, Stem Lock



Ref No	Part No	Description
1	54141-07E00-E91	Wheel, Front (12xmt3.50) (silv
2	54731-49F00	. Spacer, Hub
3	08123-62017	. Bearing
4	09285C18002J000	Seal, Front Hub (18x32x7)
5	54711C21F00J000	Axle, Front
6	64751C20400J000	Spacer, Axle Lh
7	D8311-60128	Nut
7a	D8322-01128	Washer
8	54600-07E11	Box Assy, Speedometer Gear
9	59221-49F00	Disc, Front Brake
10	09106C08155J000	Bolt, Disc
11	55110-49F00	Tire, Front (110/90-12 64I) Br
12	43130-07E00	Valve Assy, Wheel Rim (tr412)

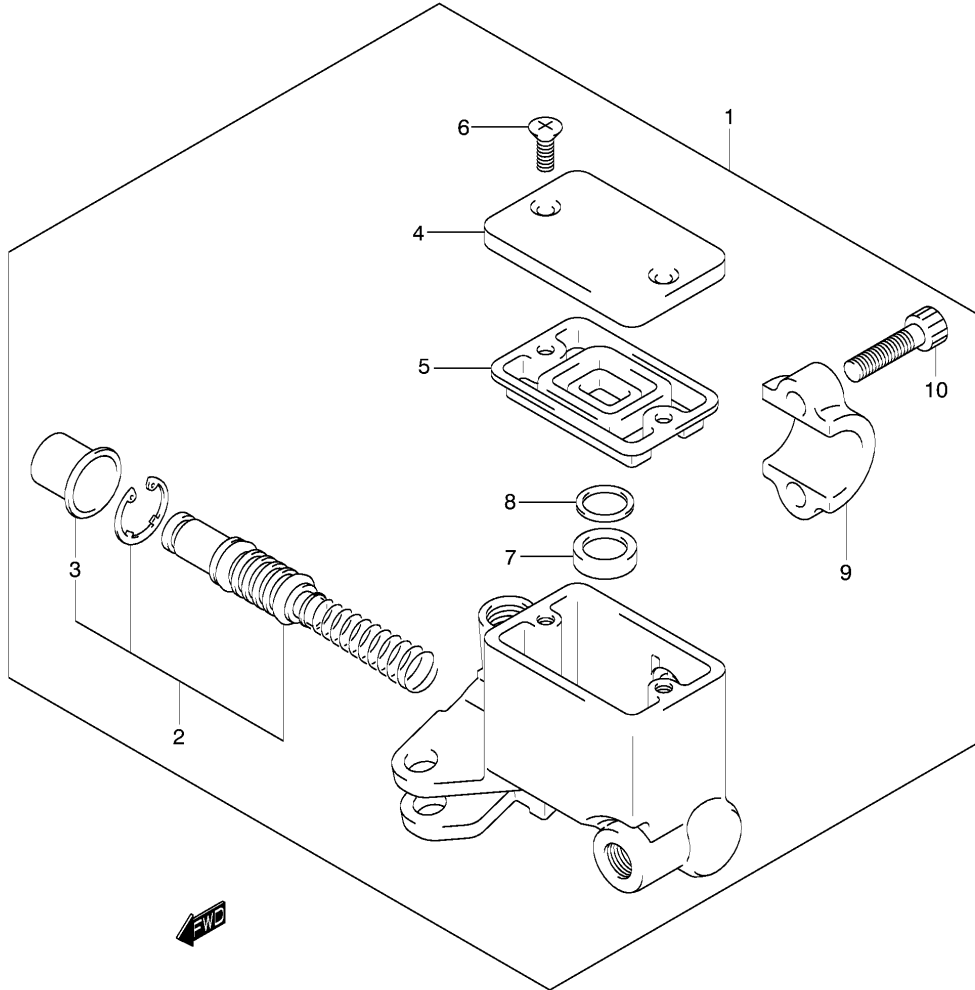


Ref No	Part No	Description
1	59300-49F00	Caliper Assy, Front
2	59104-49F00	. Piston Set
3	59330-49F00	. Pad Set
4	59315-49F00	. Spring, Pad
5	59141-49F00	. Pin, Pad
6	59121-09EF0	. Bleeder
7	59122-09EF0	. Cap, Bleeder
8	59351-49F00	. Bracket
9	59356-49F00	. Pin, Pad
10	59357-49F00	. Nut
11	59312-49F00	. Cover, Caliper, Dust
12	59355-49F00	. Pin, Pad
13	59313-49F00	. Cover, Caliper, Dust
14	59116-49F00	. Plate, Pad
15	D7107-08305	Bolt (8x30)
16	D8322-01085	Washer

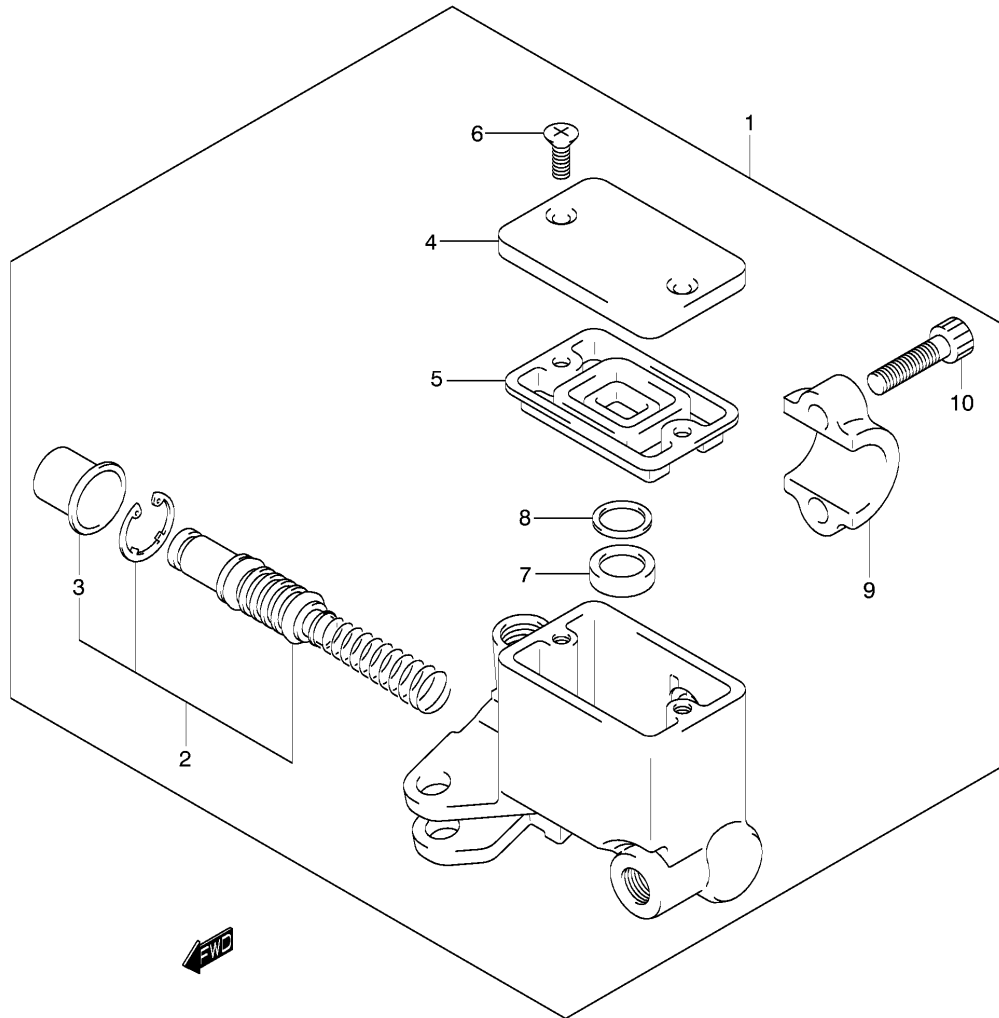


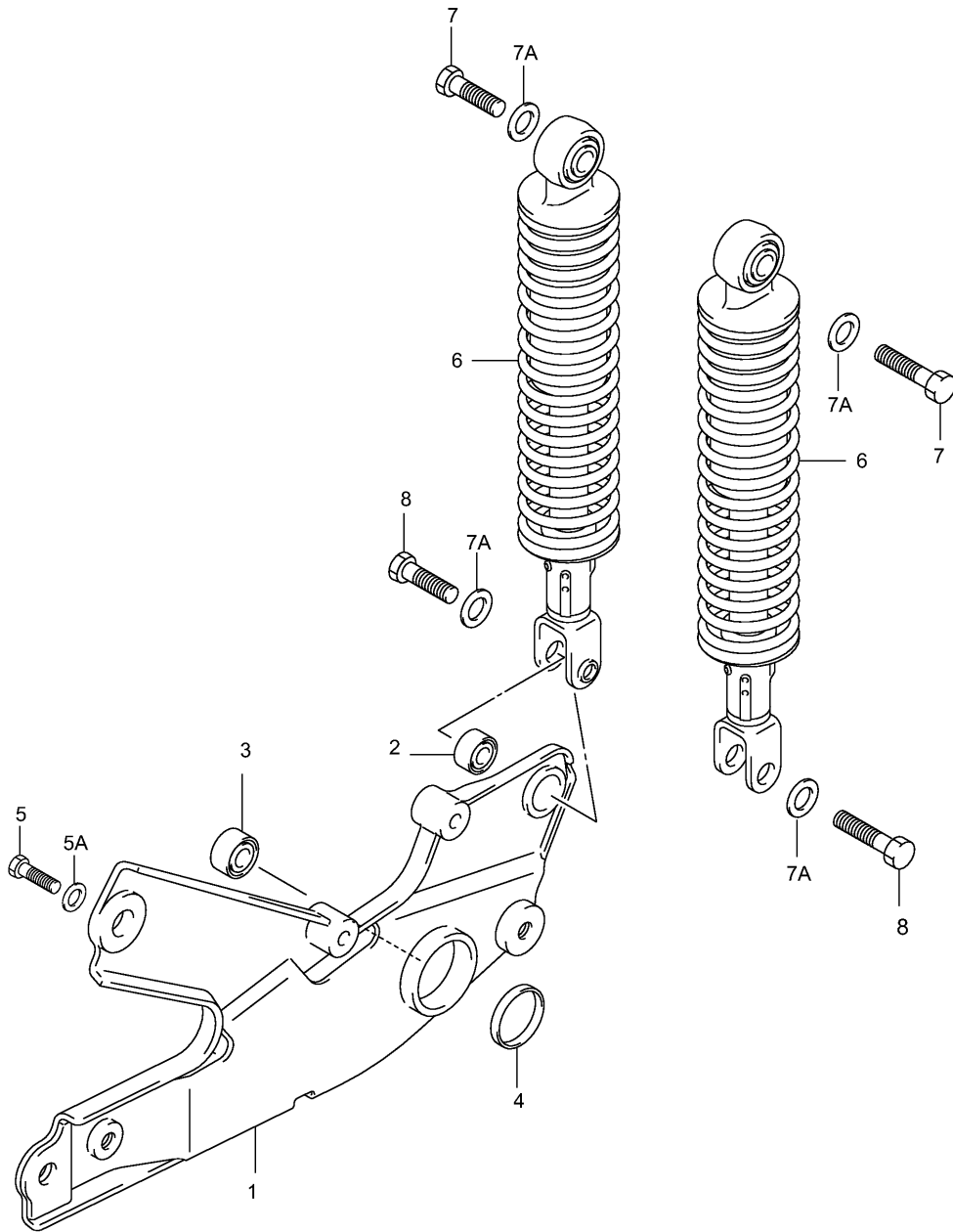
Ref No	Part No	Description
1	09689-10039	Bolt (10x1.00x22)
2	09161C10009J000	Washer (10x15x1.5)
3	59480-49F00	Hose, Front Brake
4	59240-49F00	Clamp, Fr Brake Hose
5	59245-49F00	Clamp, Brake Hose
6	D1507-06105	Bolt (6x10)
7	D8322-01065	Washer

Ref No	Part No	Description
1	59600-49F00	Cylinder Assy, Front Master
2	59600-04810	• . Piston/cup Set
3	59666-44300	•• . Boot
4	69669-24A01	• . Cap
5	59667-44B00	• . Diaphragm
6	69689-49300	• . Screw
7	59748-15400	• . Separator
8	59749-15400	• . Plate
9	59671-49F00	Holder
10	D1557-06205	Bolt

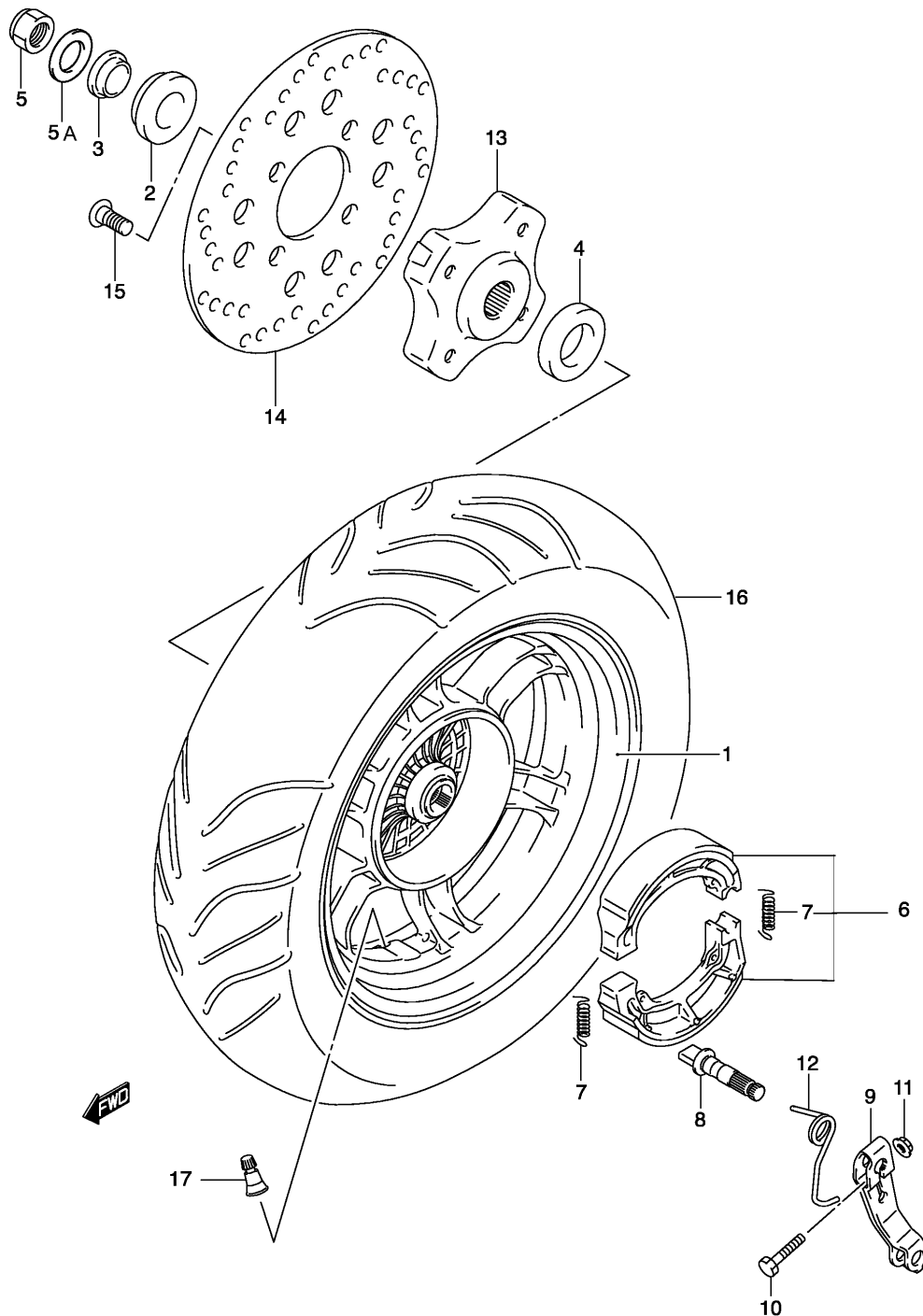


Ref No	Part No	Description
1	59600-49F10	Cylinder Assy, Front Master
2	59600-0AE00	• Piston/cup Set
3	59669-0BE00	• Cap
4	59667-07E00	• Diaphragm
5	69689-49300	• Screw
6	59748-07E00	• Separator
7	59749-07E00	• Plate
8	59671-49F00	Holder
9	D1557-06205	Bolt

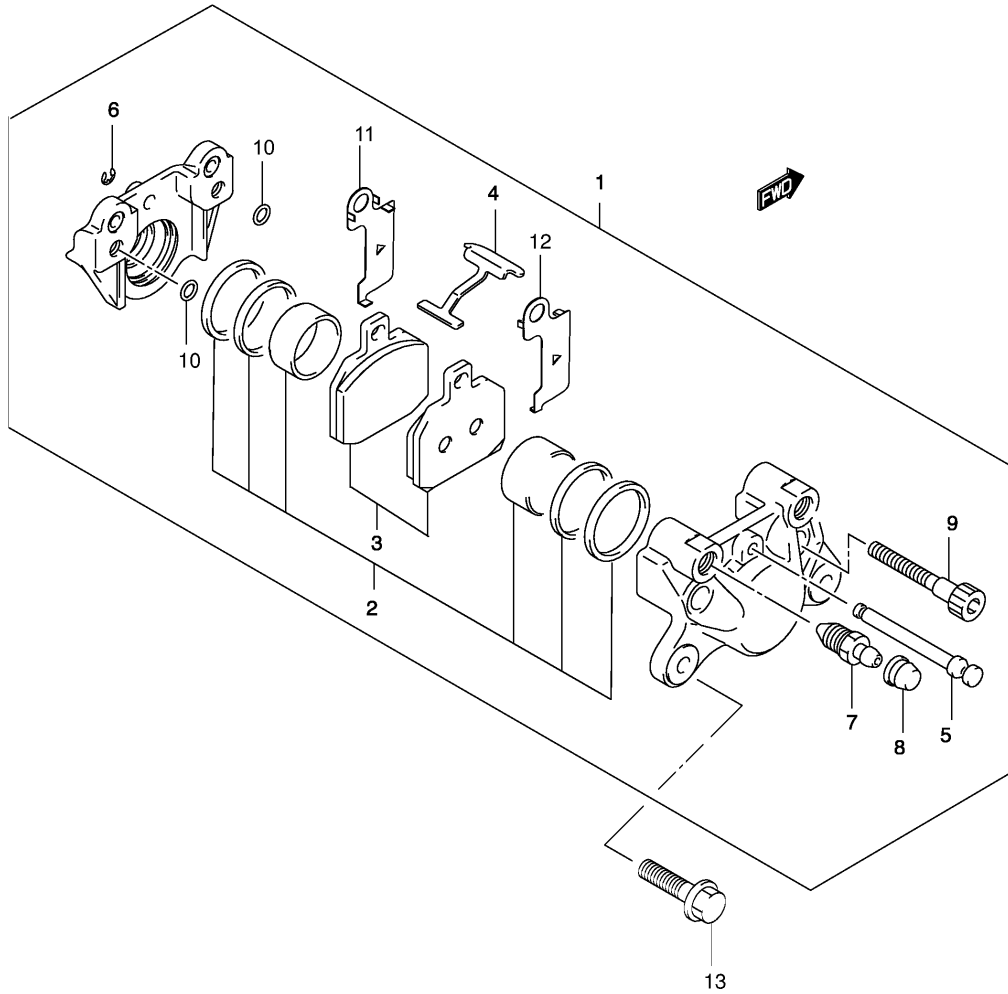




Ref No	Part No	Description
1	61100-49F01-EE3	Swinging Arm Assy, Rear
2	09319C10032J000	Bush
3	09267-17005	Bearing
4	09285C28002J000	Seal, Rr Axle Inner
5	D1007-10255	Bolt
5a	D8322-01105	Washer
6	62100-49F10	Absorber Assy, Rear Shock
7	D1007-10405	Bolt (10x40)
7a	D8322-01105	Washer
8	D1007-10355	Bolt

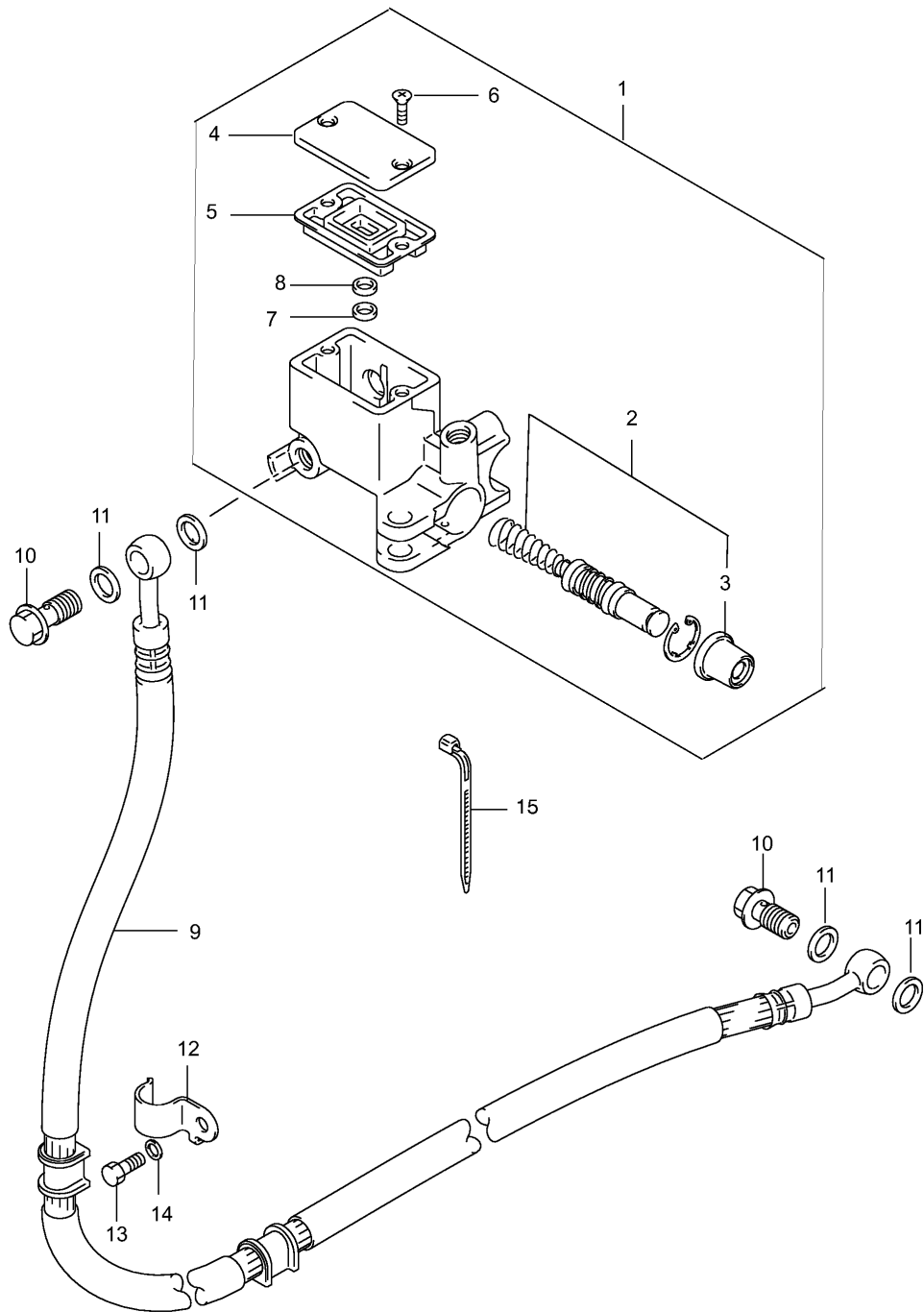


Ref No	Part No	Description
1	64150-49F00-E91	Wheel, Rear 12xmt3.50 (silver)
2	64741-49F00	Spacer, Rear Axle Inner
3	64751-49F01	Spacer, Rear Axle Outer
4	69721-49F00	Spacer, Rear Wheel
5	D8311-60168	Nut
5a	09160-02E00-E0Z	Washer
6	64041-07E00	Shoe, Set
7	55421-20E00	• Spring, Rear Brake Shoe
8	64441-49F00	Cam, Rear Brake
9	64451-49F00	Lever, Rear Brake Cam
10	09100C06139J000	Bolt
11	D8316-10065	Nut
12	64484C21F00J000	Spring
13	69220-02E00-E91	Housing, disc Plate
14	69211-49F00	Disc, Rear Brake
15	09106C08155J000	Bolt
16	65110-49F00	Tire, Rear (130/70-12 62l) Bri
17	43130-07E00	Valve Assy, Wheel Rim

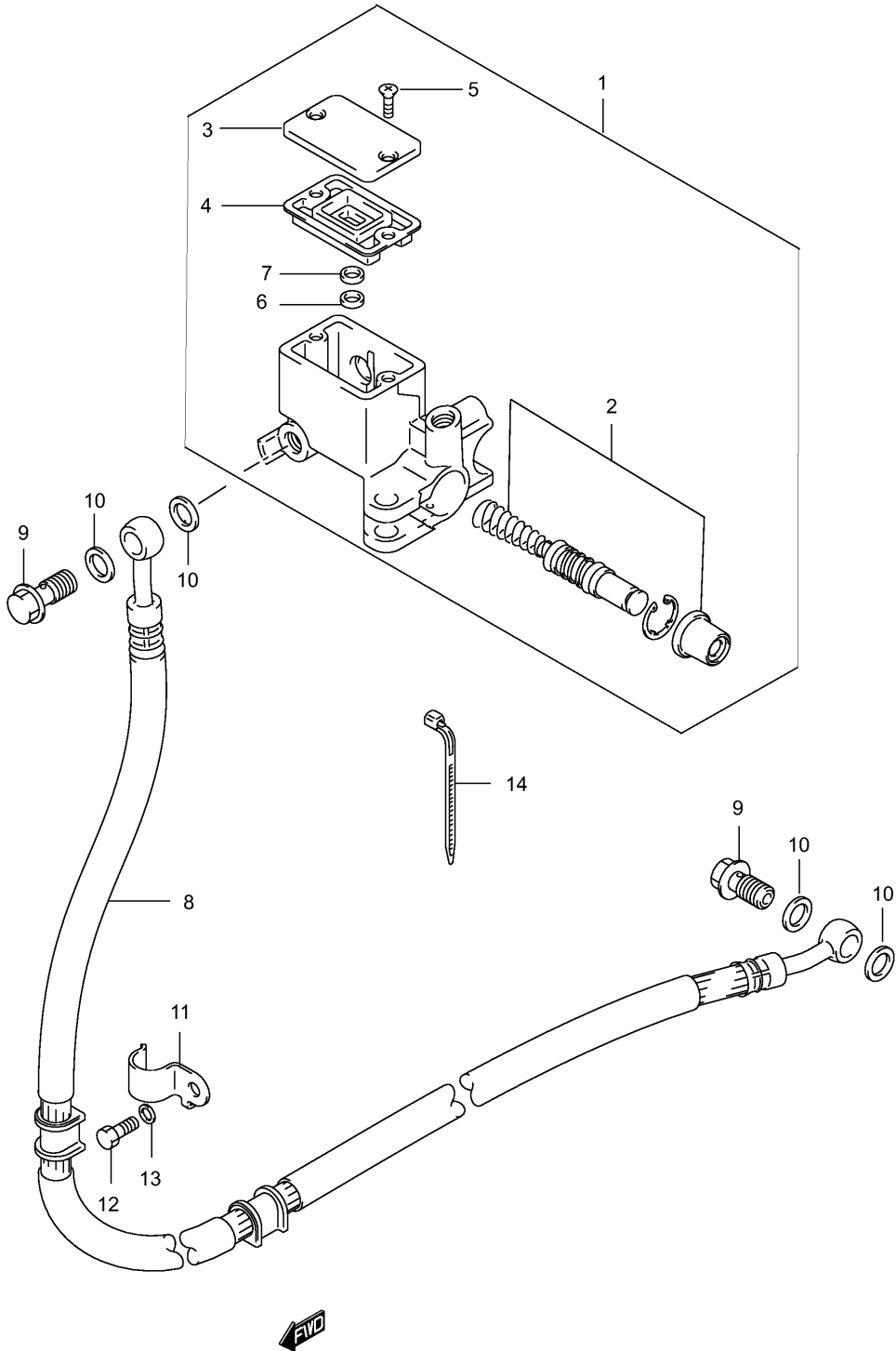


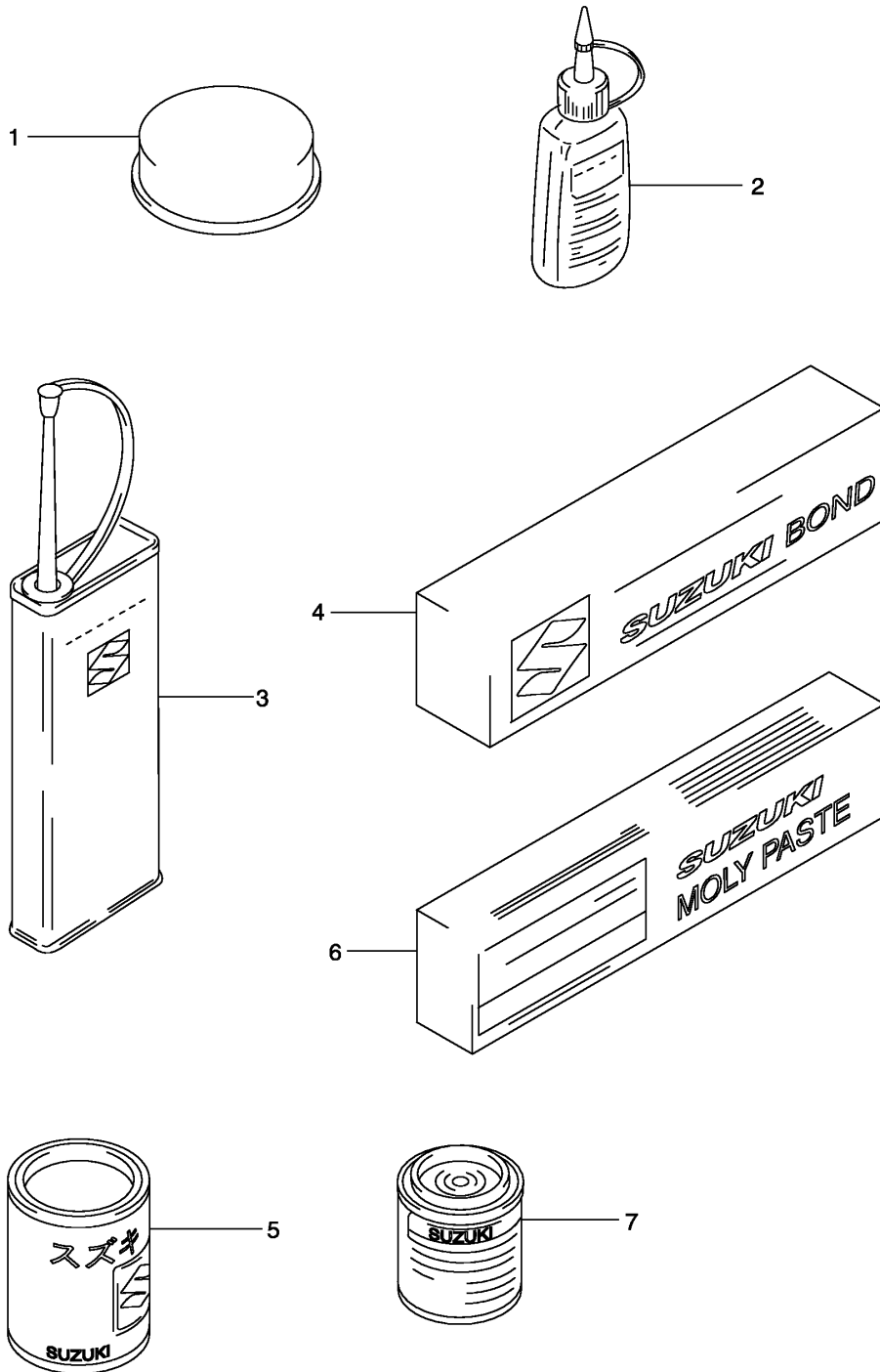
Ref No	Part No	Description
1	69100-49F01	Caliper Assy, Rear
2	69104-49F00	• . Piston Set
3	69130-07E00	• . Pad Set, Brake
4	69143-49F01	• . Spring, Pad
5	69141-49F01	• . Pin, Pad
6	69142-49F01	• . E Ring
7	69121-49F00	• . Bleeder
8	59122-09EF0	• . Cap, Bleeder
9	69145-49F00	• . Bolt
10	69103-49F00	• . Seal
11	69181-49F00	• . Shim, Pad Inner
12	69171-49F00	• . Shim, Pad Outer
13	D1557-08305	Bolt

Ref No	Part No	Description
1	69600-49F00	Cylinder Assy, Rear Master
2	59600-04810	• Piston/cup Set
3	59666-44300	• .. Boot
4	69669-24A01	• Cap
5	59667-44B00	• Diaphragm
6	69689-49300	• Screw
7	59748-15400	• Separator
8	59749-15400	• Plate
9	69480-49F00	Hose, Rear Brake
10	09689-10039	Bolt (10x1.00x22)
11	09161C10009J000	Washer
12	69245-49F00	Clamp, Rr Brake Hose
13	D1507-06125	Bolt
14	D8322-01065	Washer
15	D9448-01885	Clamp



Ref No	Part No	Description
1	69600-49F10	Cylinder Assy, Rear Master
2	59600-0AE00	. Piston/cup Set
3	59669-0BE00	. Cap
4	59667-07E00	. Diaphragm
5	69689-49300	. Screw
6	59748-07E00	. Separator
7	59749-07E00	. Plate
8	69480-49F00	Hose, Rear Brake
9	09689-10039	Bolt (10x1.00x22)
10	09161C10009J000	Washer
11	69245-49F00	Clamp, Rr Brake Hose
12	D1507-06125	Bolt
13	D8322-01065	Washer
14	D9448-01885	Clamp





Ref No	Part No	Description
1	99000-25110	Suzuki Pbc Grease
2	99000-32020	Thread Lock Super (1333b)
2	99000-32030	Thread Lock Super (1303b)
2	99000-32050	Thread Lock Super (1342)
2	99000-32100	Thread Lock Super (1305)
2	99000-32130	Thread Lock Super (1360)
3	99000-32040	Thread Lock Cement
4	99000-31140	Suzuki Bond (1207b) Black
4	99000-31110	Suzuki Bond (1215)
5	99000-25030	Suzuki Super Grease
6	99000-25140	Suzuki Moly Paste
7	99000-10209-Y9H	Paint (pearl Lively Yellow)
7	99000-10209-YC2	Paint (candy Grand Blue)
7	99000-10209-YD8	Paint (sonic Silver Metallic)
7	99000-10209-Y7G	Paint (dark Britis Green Metal
7	99000-10209-YAU	Paint (met. Barrel Gray)
7	99000-10209-YBA	Paint (prl. Suzuki Deep Blue N
7	99000-10209-Y7L	Paint (saturn Black Metallic)