

This catalog covers:

'06~'07 KVF750 A6F/A7F

GRID NO.

A-1

This grid covers:

Title



PARTS CATALOG

'06~'07 KVF750 A6F/A7F

(KVF750 4x4)

Publications	A-2
Model Identification	A-4
Engine	B-1
Chassis	F-1

© Kawasaki Heavy Industries, Ltd. 2006

Engine No. Location:

RH hand lower part of the crankcase

Year & Model

'06 KVF750A6F

'07 KVF750A7F

Color

- 1. Colored Plastic Aztec Red (260)
- 2. Colored Plastic Woodsman Green (286)

- 1. Colored Plastic Aztec Red (260)
- 2. Colored Plastic Woodsman Green (286)

VIN No. Range

JKAVF750AAB601201 ~ 602400
JKAVFDA1√6B519001 ~ 527700 (Australia only)

JKAVF750AAB602401 ~
JKAVFDA1√7B527701 ~ (Australia only)

Engine No. Range

VF750AE500001 ~

VF750AE500001 ~

This catalog covers:

'06~'07 KVF750 A6F/A7F

GRID NO.

A-2

This grid covers:

Publications

Year & Model	Owner's Manual	A&P Manual		Service Manual		Microfiche
		General	Supplement	Basic	Supplement	
2006 KVF750A6F	Local Procurement 99986-1284(Australia only)	99931-1436-01		99924-1334-03		99912-1279-02
2007 KVF750A7F	Local Procurement 99986-1340(Australia only)	See above		See above		See above

This catalog covers:

'06~'07 KVF750 A6F/A7F

GRID NO.

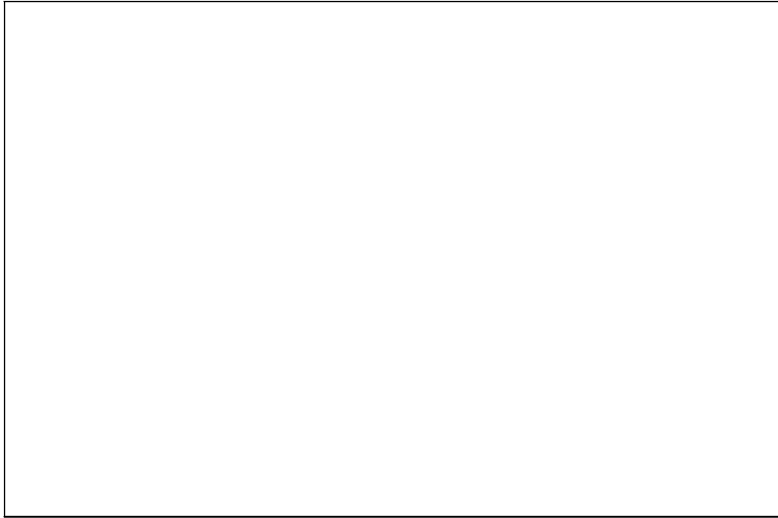
A-4

This grid covers:

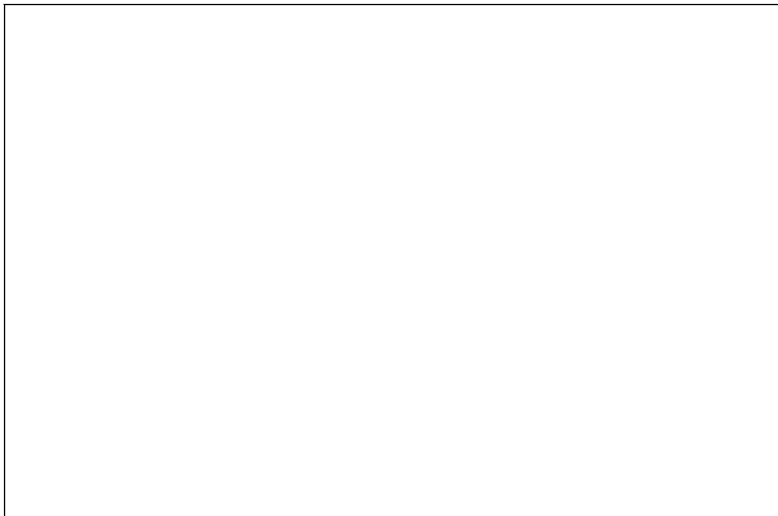
Model I.D. '06~'07 KVF750 A6F/A7F

KVF750A6F

Left Side View

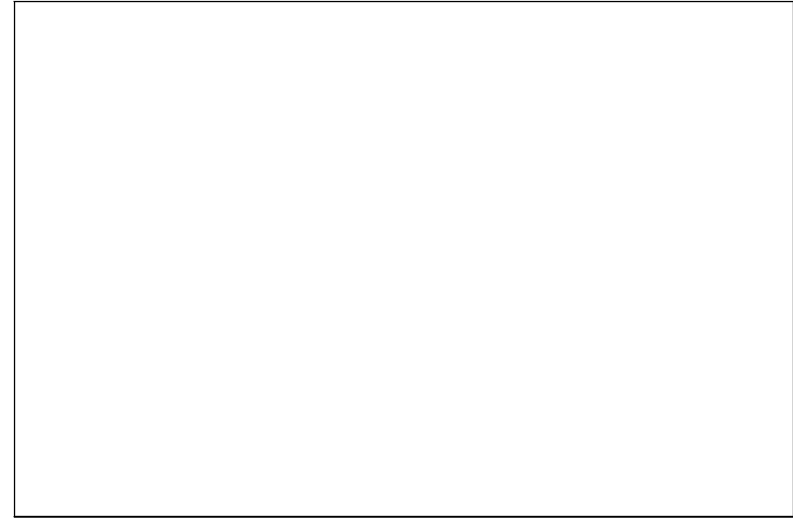


Right Side View

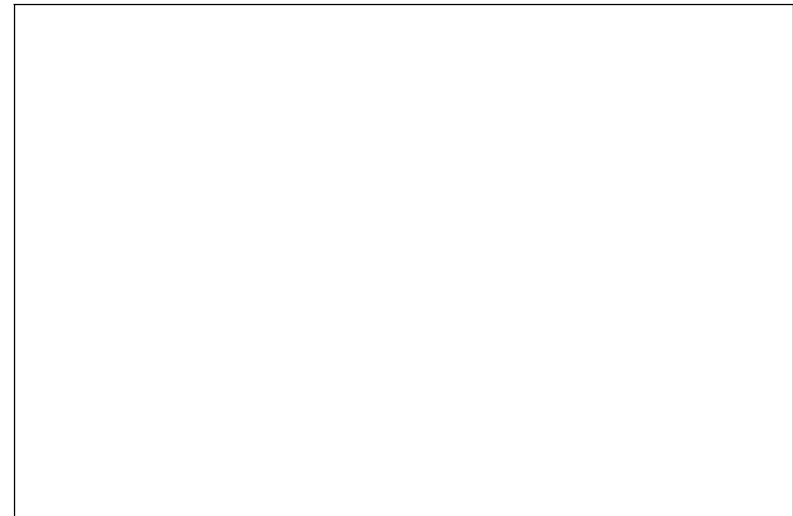


KVF750A7F

Left Side View



Right Side View



This catalog covers:

'06~'07 KVF750 A6F/A7F

GRID NO.

A-9

This grid covers:

Color Combination Parts List

'07 KVF750A7F

O : Applicable × : Not applicable

Color: Colored Plastic Aztec Red (260) (1)

Part No.	Description	Spec.Code									
		AS	EU	UK							
11010-0023-6Z	FILTER-ASSY-AIR,F.BLACK	O	O	O							
11011-0017-6Z	CASE-AIR FILTER,UPP,F.BLACK	O	O	O							
14091-0132-6Z	COVER,HEAD LAMP,LH,F.BLACK	O	O	O							
14091-0133-6Z	COVER,HEAD LAMP,RH,F.BLACK	O	O	O							
14091-0135-6Z	COVER,POCKET,LH,F.BLACK	O	O	O							
14091-0136-6Z	COVER,POCKET,RH,F.BLACK	O	O	O							
14091-0137-260	COVER,SIDE,LH,A.RED	O	O	O							
14091-0138-260	COVER,SIDE,RH,A.RED	O	O	O							
14091-0252-6Z	COVER,TAIL LAMP,F.BLACK	O	O	O							
14091-0270-6Z	COVER,TOP,F.BLACK	O	O	O							
14091-0291-6Z	COVER,FRONT BUMPER,F.BLACK	O	O	O							
34028-0054-6Z	STEP,FOOT BOARD,LH,F.BLACK	O	O	O							
34028-0055-6Z	STEP,FOOT BOARD,RH,F.BLACK	O	O	O							
34028-1487-21	STEP,FOOT PEG,F.BLACK	O	O	O							
35004-0047-260	FENDER-FRONT,A.RED	O	O	O							
35023-0050-260	FENDER-REAR,A.RED	O	O	O							
35063-0185-388	STAY,REAR CARRIER,W.BLACK	O	O	O							
41025-0043-397	RIM,FR,12X6.0AT,F.S.BLACK	O	O	O							
41025-0044-397	RIM,RR,12X7.5AT,F.S.BLACK	O	O	O							
43080-0019-DJ	CALIPER-SUB-ASSY,FR,LH,BLACK	O	O	O							
43080-0020-DJ	CALIPER-SUB-ASSY,FR,RH,BLACK	O	O	O							
53029-0033-388	CARRIER,FR,W.BLACK	O	O	O							
53029-0044-388	CARRIER,RR,W.BLACK	O	×	×							
53029-0045-388	CARRIER,RR,W.BLACK	×	O	O							
53066-0128-MA	SEAT-ASSY,BLACK	O	O	O							
55020-0064-6Z	GUARD,FRONT SKID,F.BLACK	O	O	O							
55020-0109-6Z	GUARD,FRONT ARM,LH,F.BLACK	O	O	O							
55020-0110-6Z	GUARD,FRONT ARM,RH,F.BLACK	O	O	O							
55020-0166-6Z	GUARD,REAR ARM,LH,F.BLACK	O	O	O							
55020-0167-6Z	GUARD,REAR ARM,RH,F.BLACK	O	O	O							

This catalog covers:

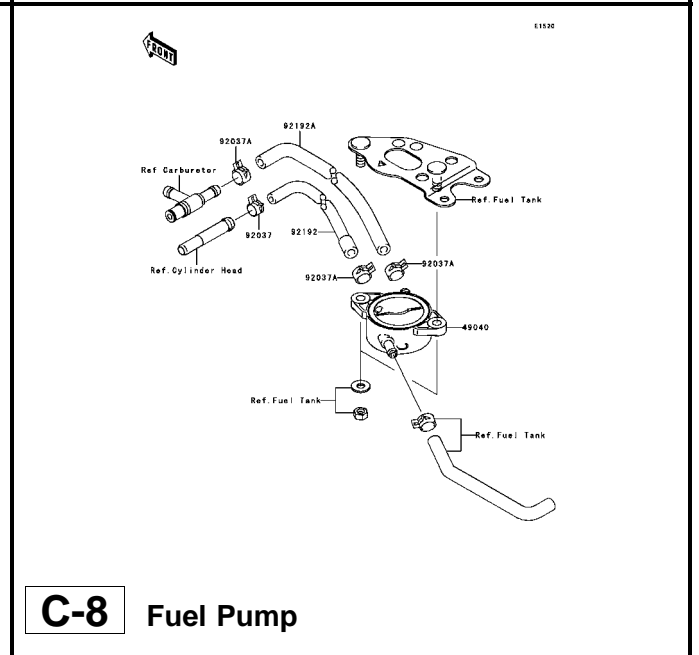
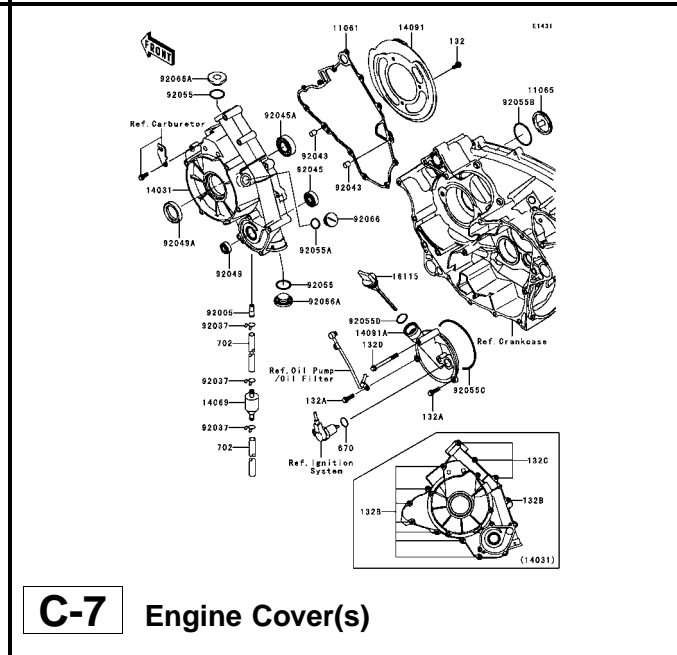
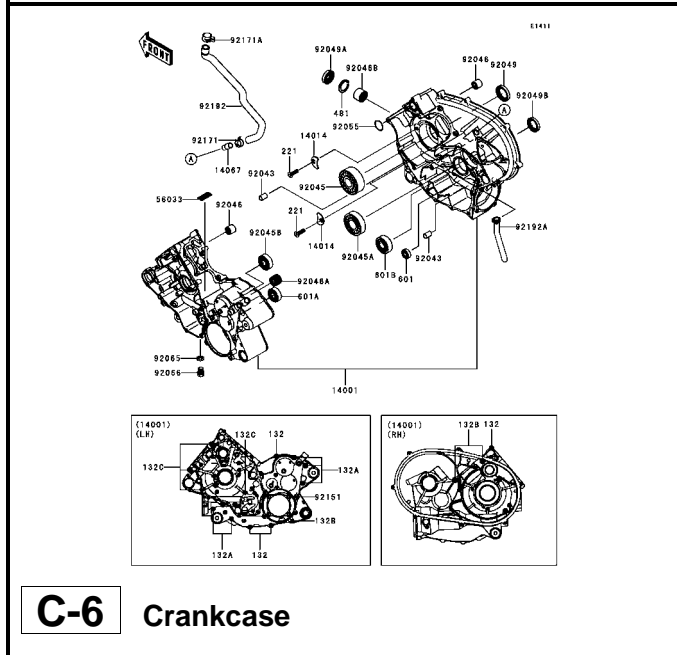
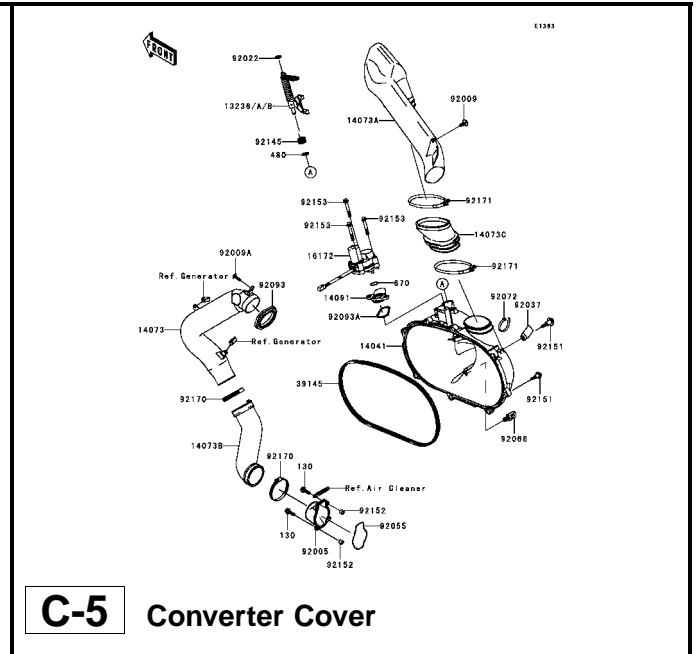
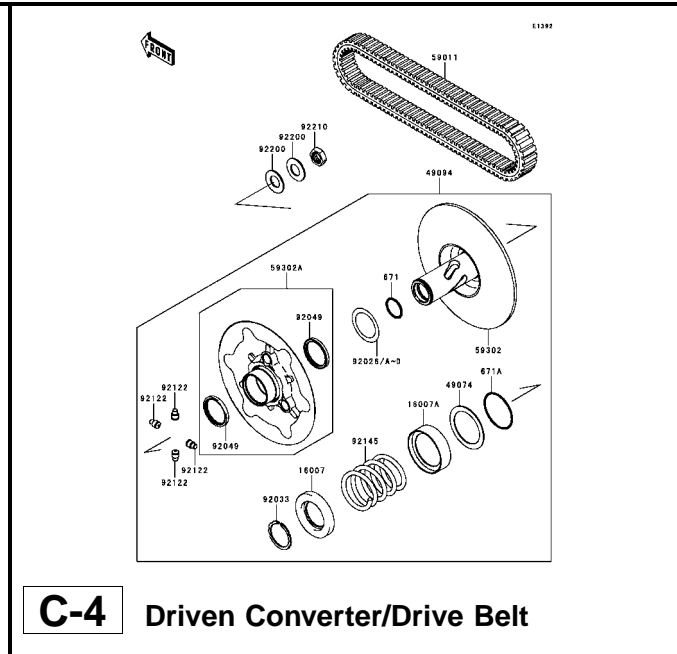
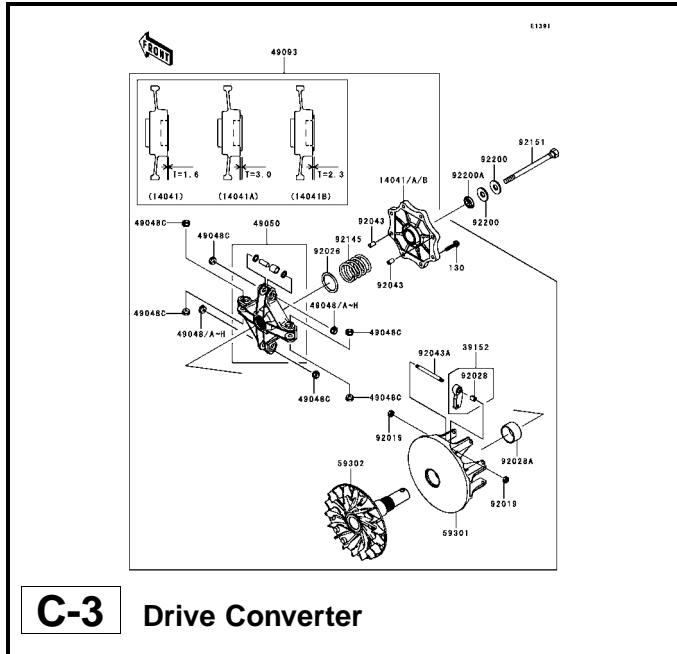
'06~'07 KVF750 A6F/A7F Engine

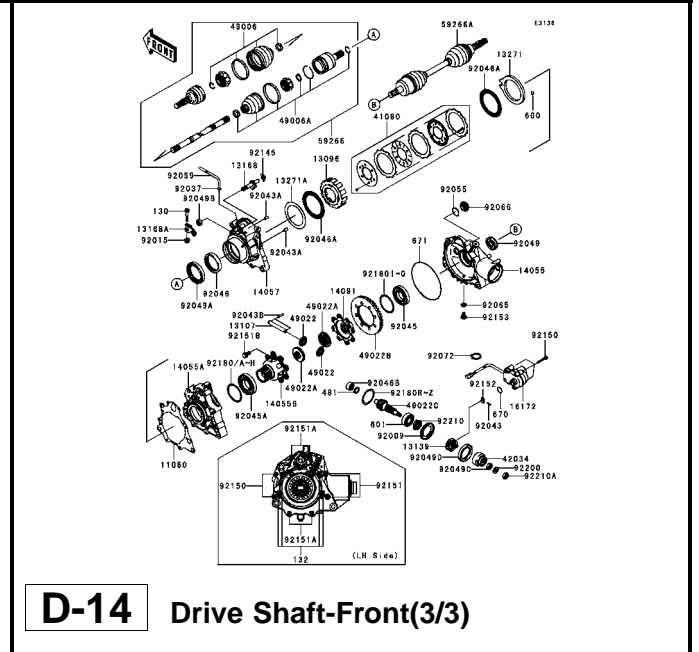
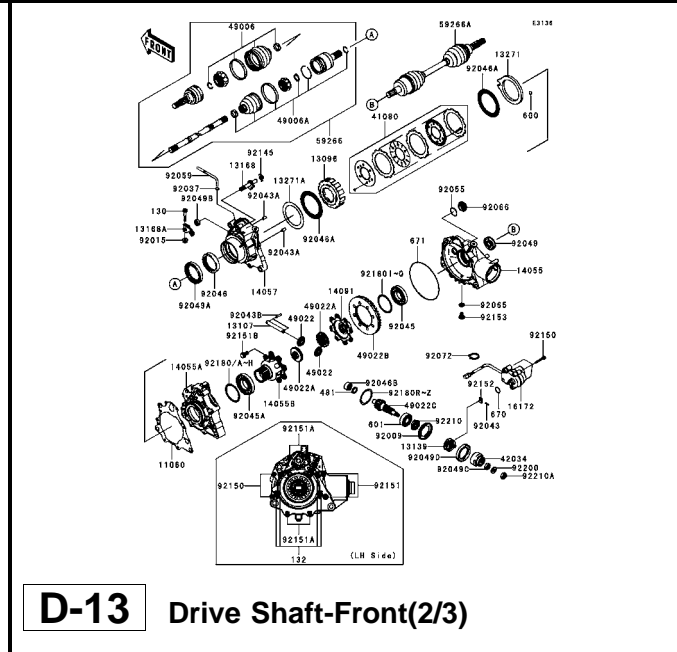
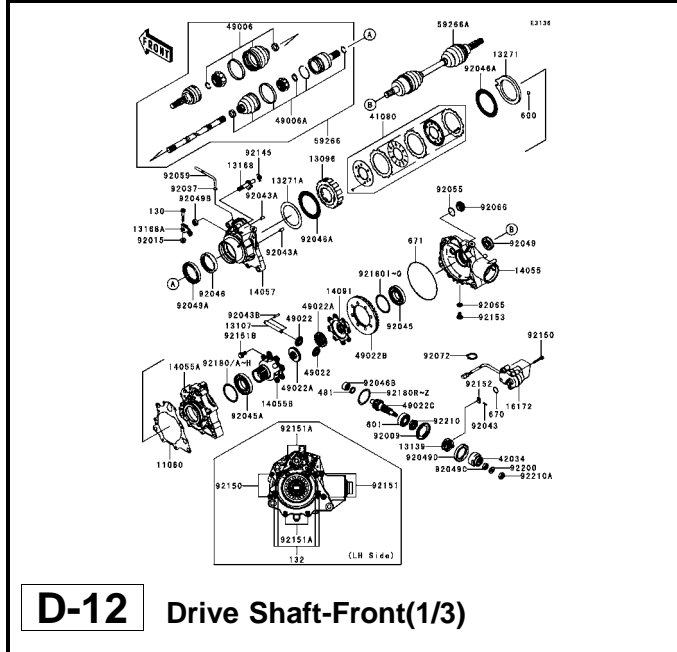
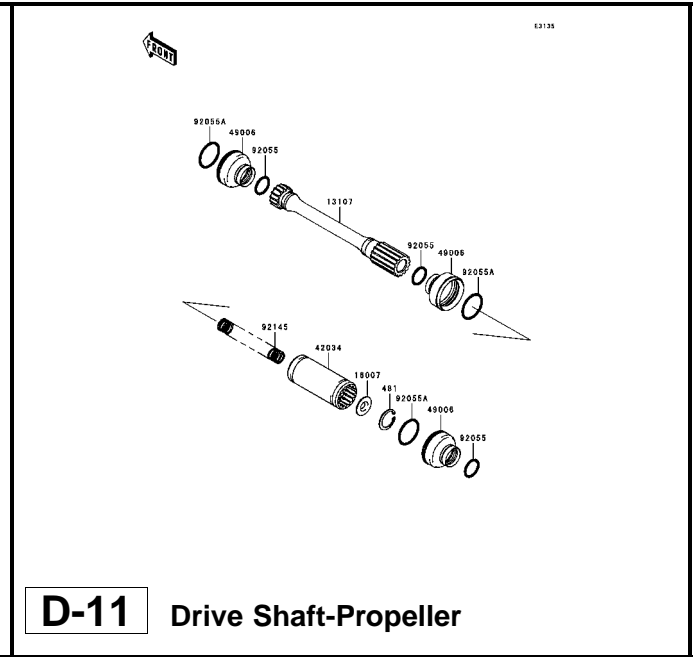
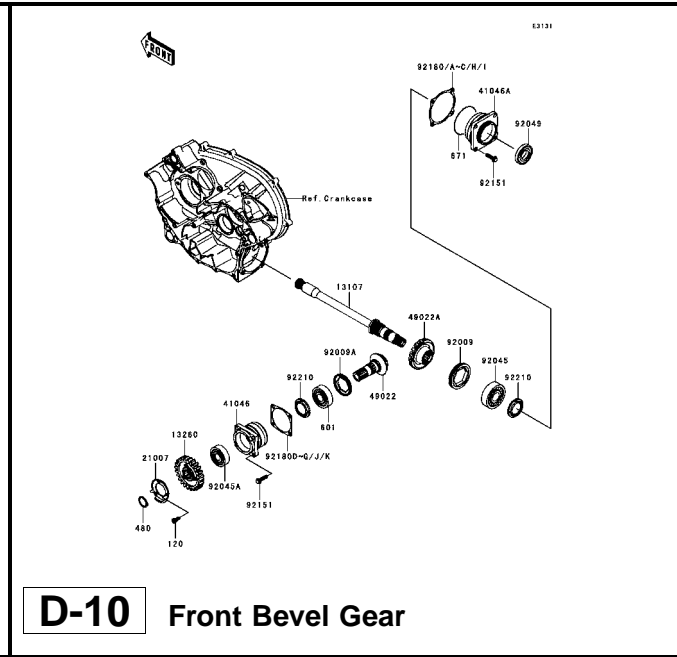
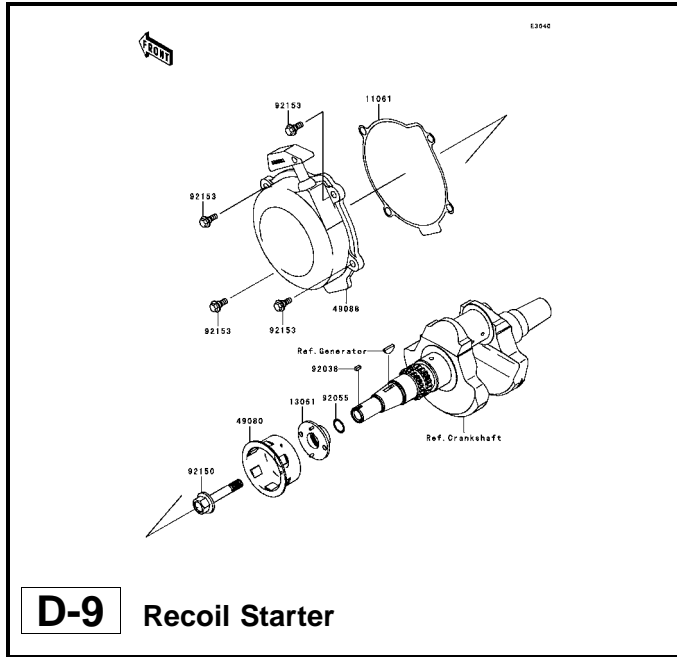
GRID NO.

C-1

This grid covers:

Pictorial Index





This catalog covers:

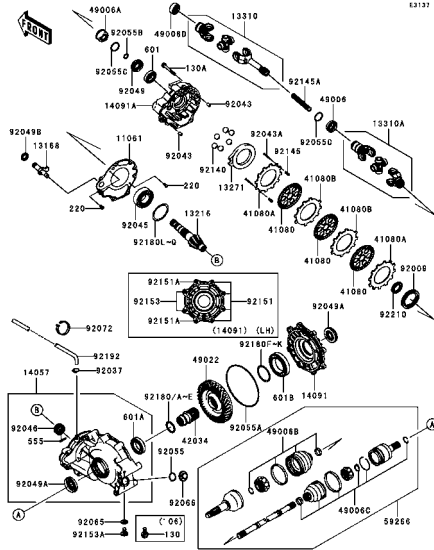
'06~'07 KVF750 A6F/A7F Engine

GRID NO.

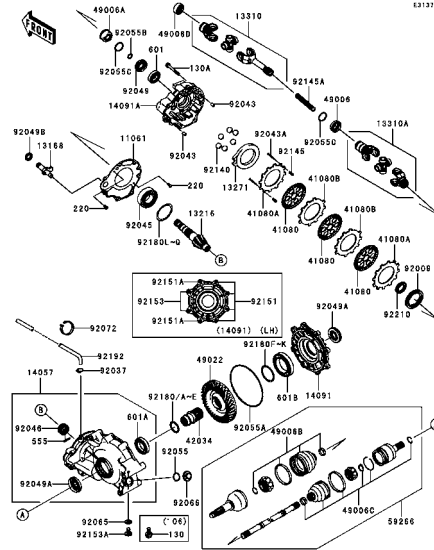
E-1

This grid covers:

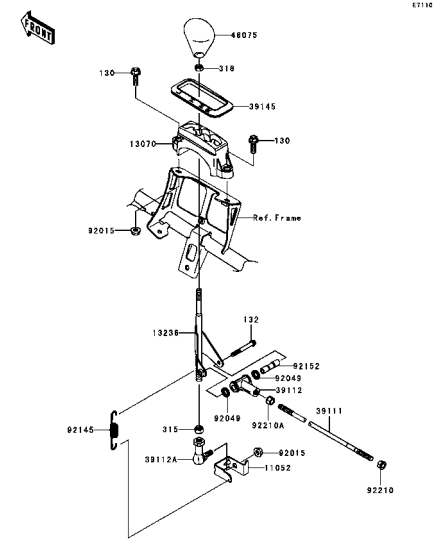
Pictorial Index



E-3 Drive Shaft-Rear(1/2)



E-4 Drive Shaft-Rear(2/2)



E-5 Control

This catalog covers:

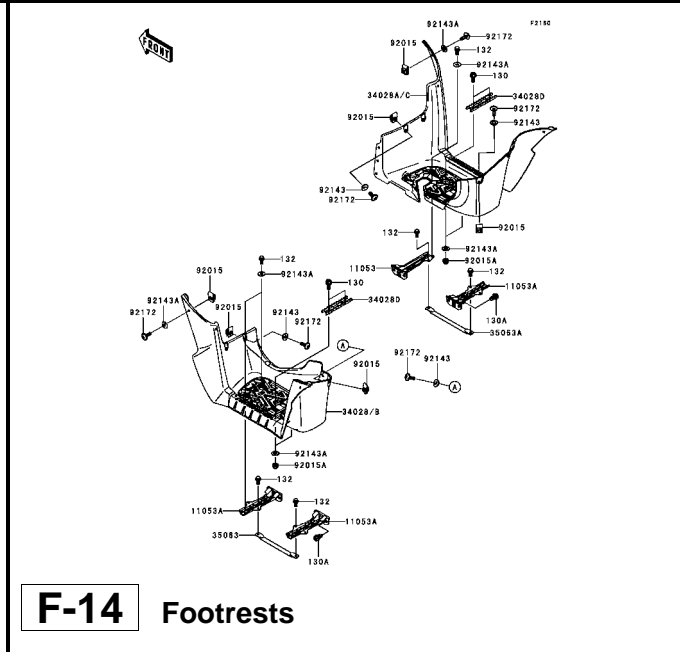
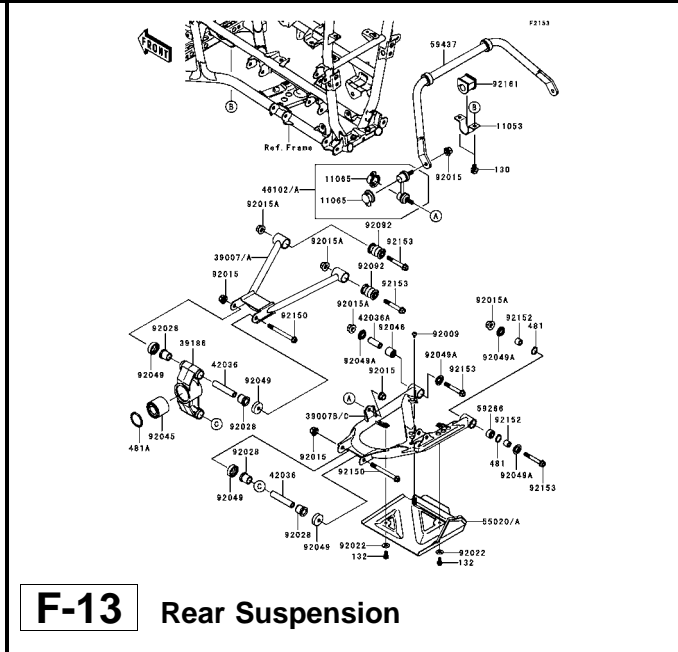
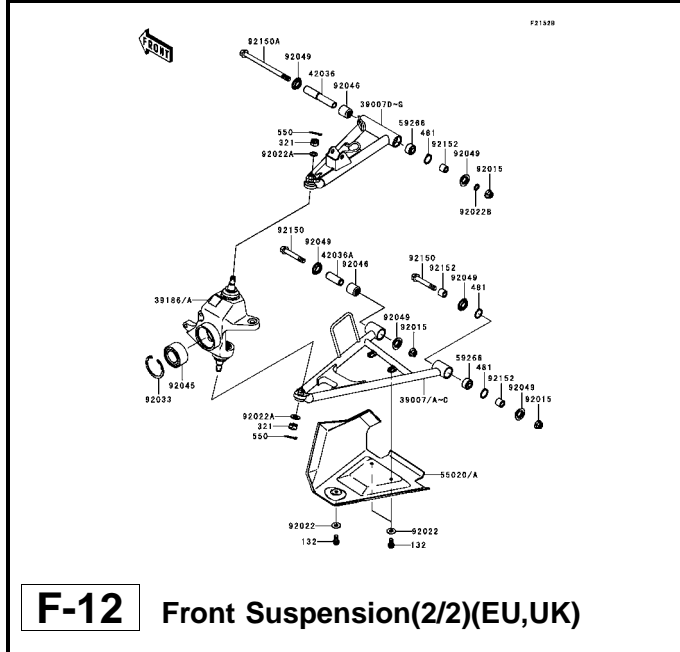
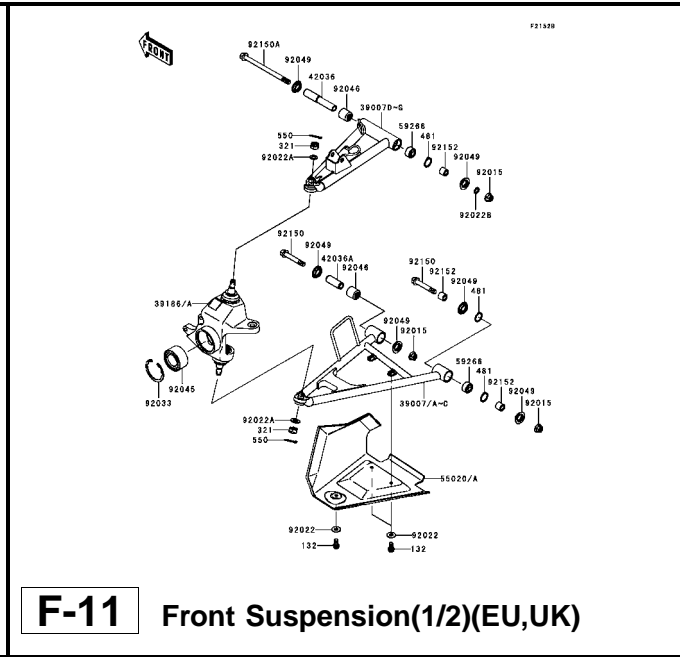
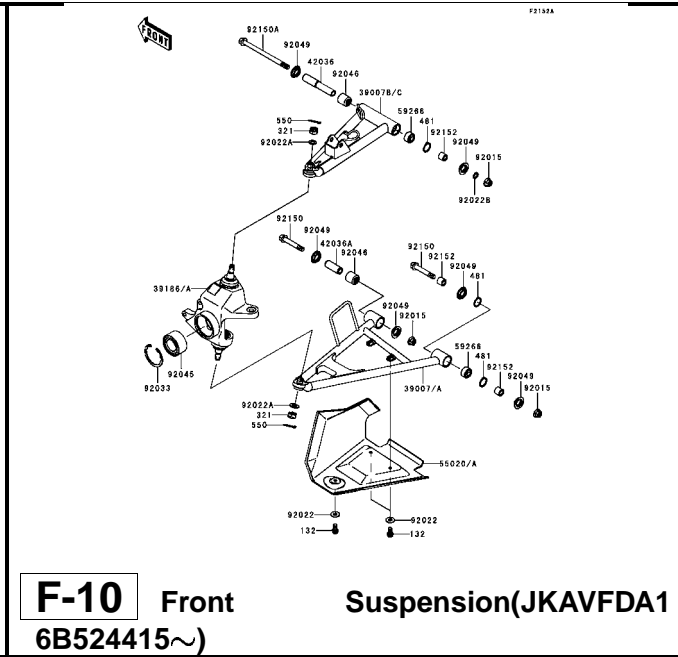
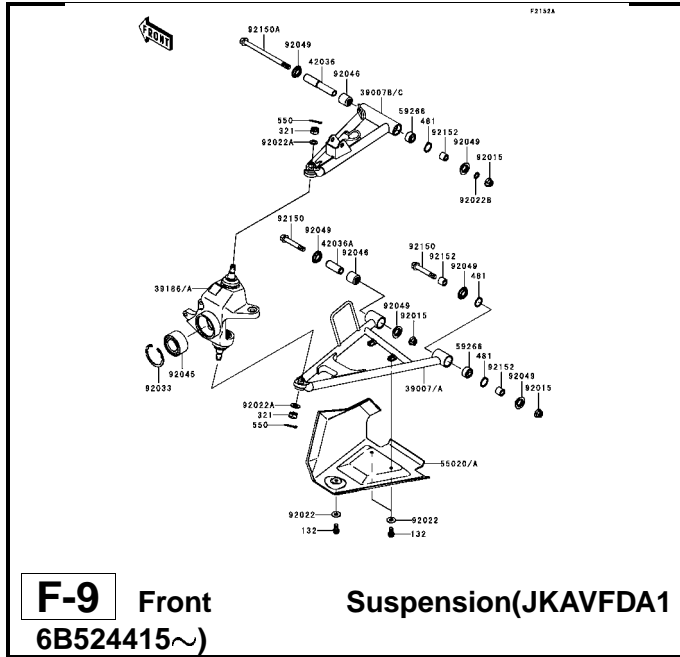
'06~'07 KVF750 A6F/A7F Engine

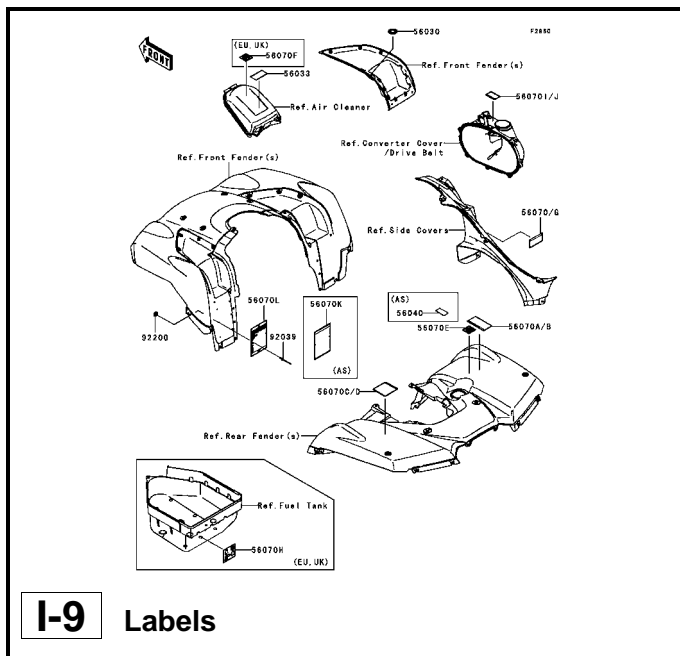
GRID NO.

E-2

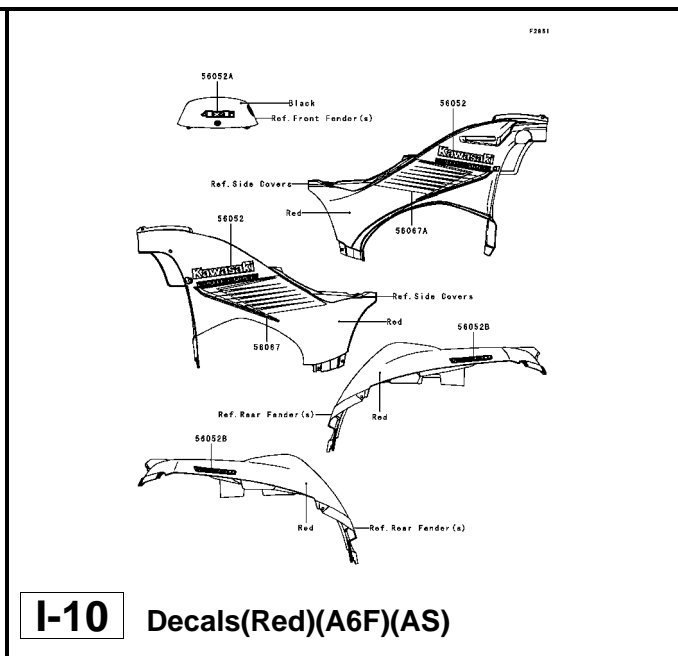
This grid covers:

Pictorial Index

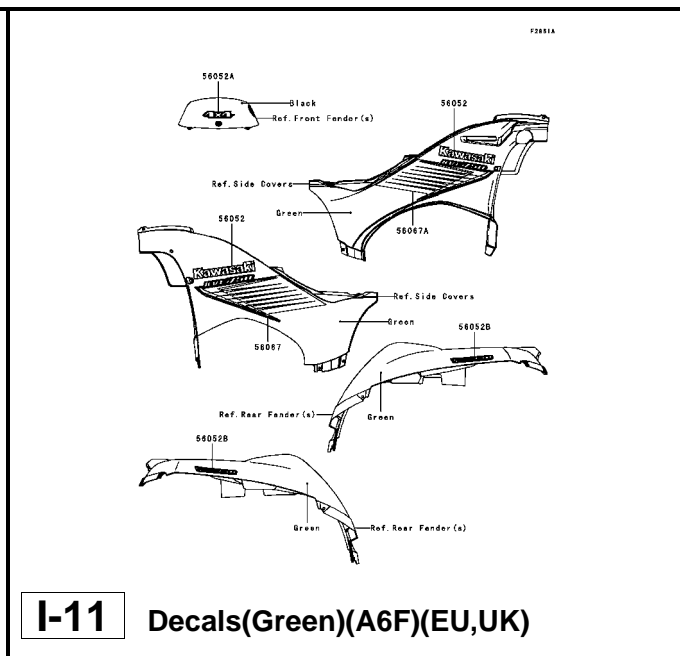




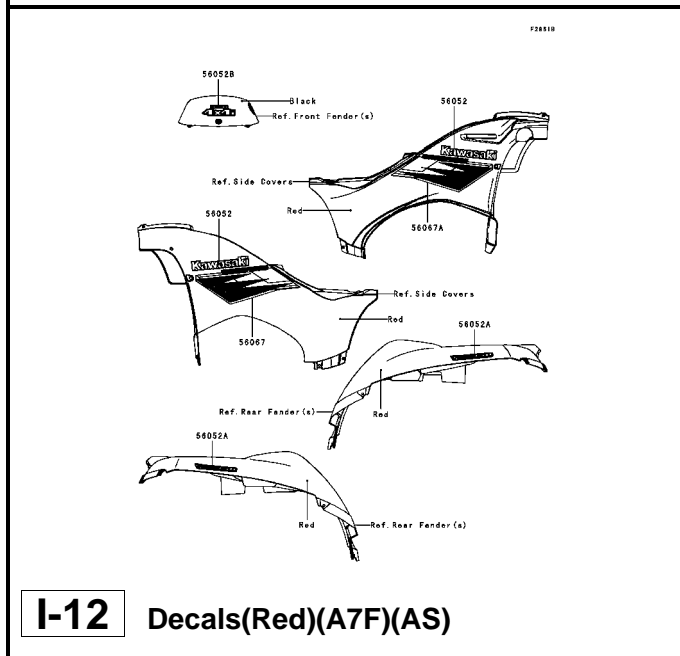
I-9 Labels



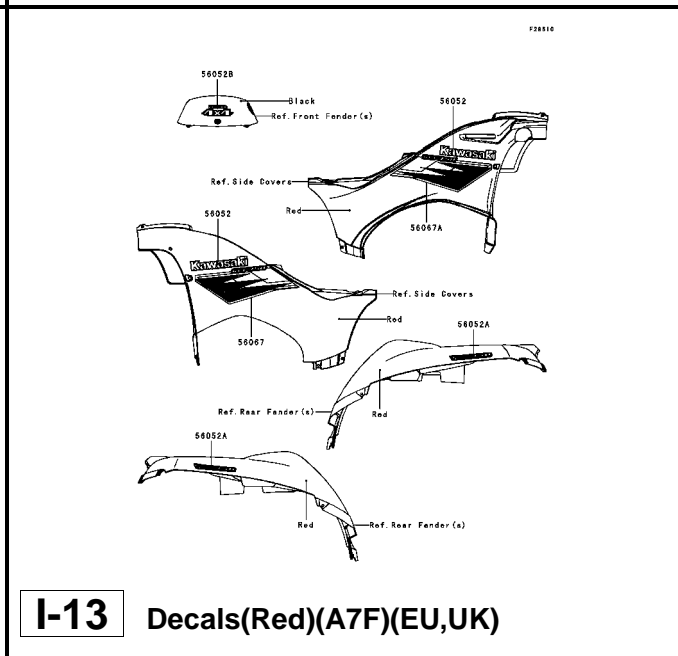
I-10 Decals(Red)(A6F)(AS)



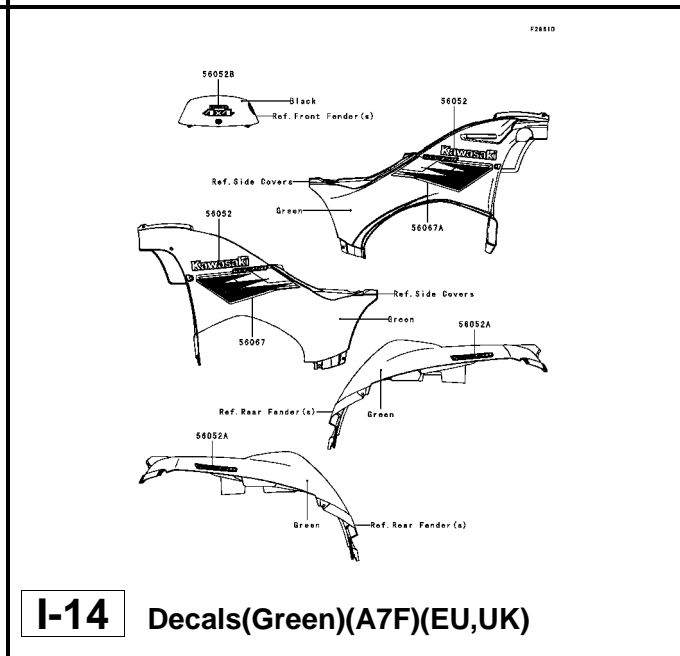
I-11 Decals(Green)(A6F)(EU,UK)



I-12 Decals(Red)(A7F)(AS)



I-13 Decals(Red)(A7F)(EU,UK)



I-14 Decals(Green)(A7F)(EU,UK)

This catalog covers:

'06~'07 KVF750 A6F/A7F Chassis

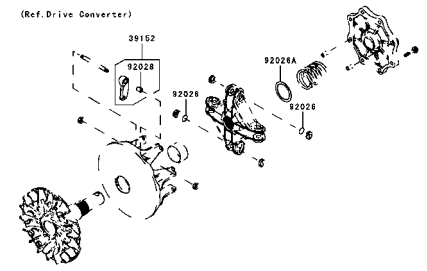
GRID NO.

J-1

This grid covers:

Pictorial Index

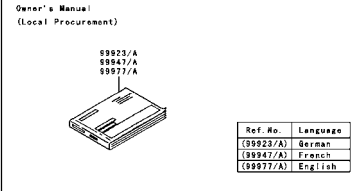
F2490



(Ref. Drive Converter)

J-3 Optional Parts(Drive Converter)

F2490

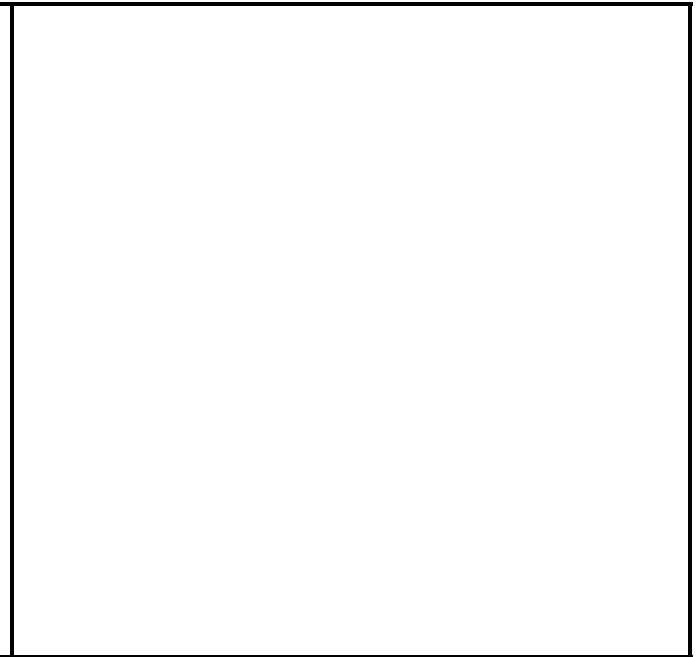


Owner's Manual
(Local Procurement)

99823/A
99847/A
99877/A

Ref. No.	Language
(99823/A)	German
(99847/A)	French
(99877/A)	English

J-4 Manual



This catalog covers:

'06~'07 KVF750 A6F/A7F Chassis

GRID NO.

J-2

This grid covers:

Pictorial Index

This catalog covers:

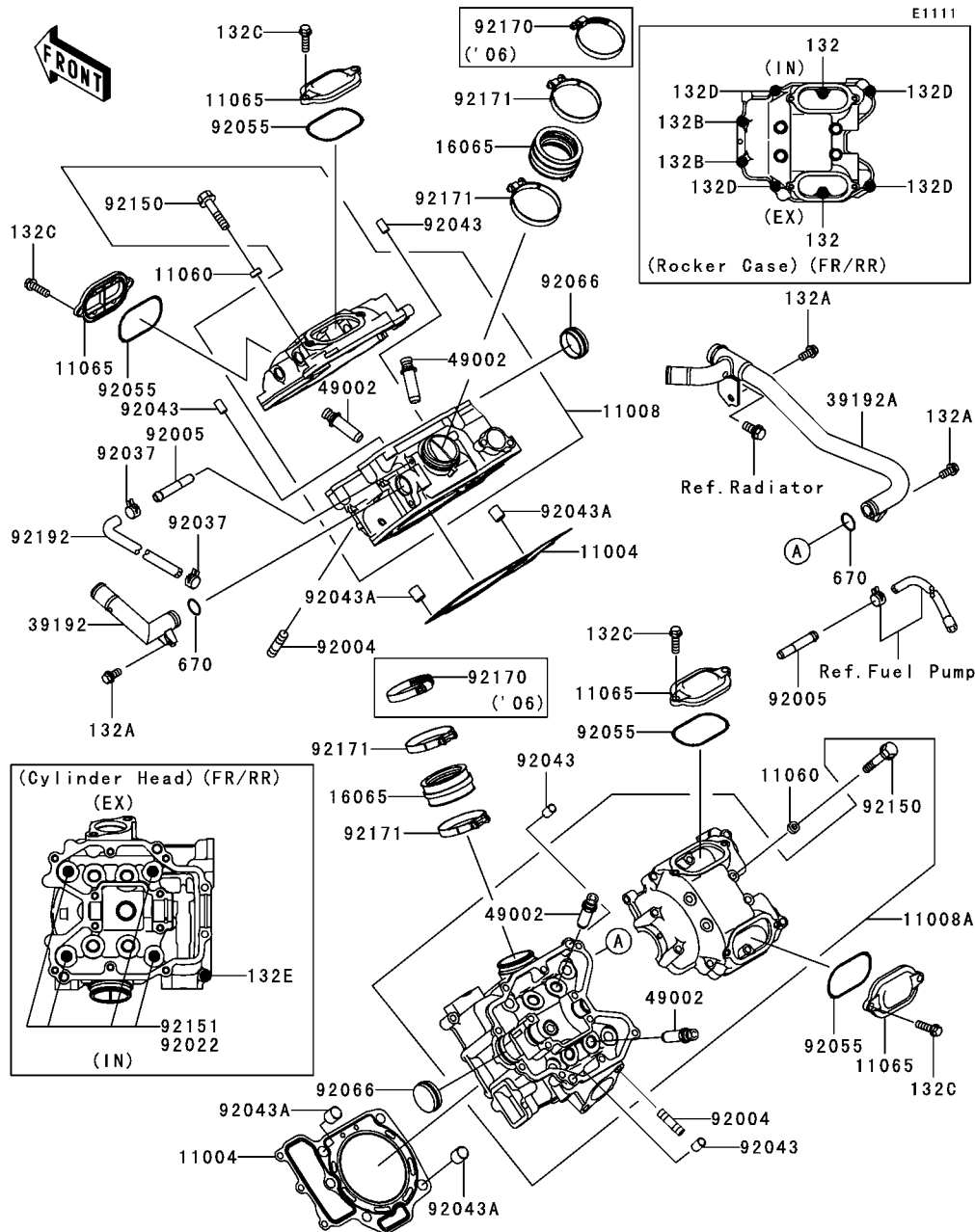
'06~'07 KVF750 A6F/A7F Engine

GRID NO.

B-3

This grid covers:

Cylinder Head



Ref. No.	Part No.	Description	Quantity-KVF750			
			'06	'07		
			A6F	A7F		
11004	11004-0011	GASKET-HEAD	2	2		
11008	11008-0021	HEAD-COMP-CYLINDER,FR	1	1		
11008A	11008-0022	HEAD-COMP-CYLINDER,RR	1	1		
11060	11060-1994	GASKET,6.2X12X0.3	8	8		
11065	11065-1152	CAP,ROCKER CASE	4	4		
16065	16065-0007	HOLDER-CARBURETOR	2	2		
39192	39192-0033	PIPE-WATER,FR	1	1		
39192A	39192-0034	PIPE-WATER,RR	1	1		
49002	49002-1097	GUIDE-VALVE	AR	AR		
92004	92004-1217	STUD,8X22	4	4		
92005	92005-1264	FITTING	2	2		
92022	92022-1720	WASHER,11.5X20.5X1.6	8	8		
92037	92037-1461	CLAMP,TUBE	2	2		
92043	92043-1263	PIN,6.2X8X14	4	4		
92043A	92043-4009	PIN,10.1X12X14	4	4		
92055	92055-0112	RING-O	4	4		
92066	92066-1289	PLUG	2	2		
92150	92150-1302	BOLT,FLANGED,6X55	8	8		
92151	92151-1917	BOLT,FLANGED,10X150	8	8		
92170	92170-1674	CLAMP	4			
92171	92171-0722	CLAMP		4		
92192	92192-0089	TUBE,4X9X860	1	1		
132	132H0625	BOLT-FLANGED-SMALL,6X25	4	4		
132A	132Y0612	BOLT-FLANGED-SMALL,6X12	3	3		
132B	132Y06130	BOLT-FLANGED-SMALL,6X130	4	4		
132C	132Y0620	BOLT-FLANGED-SMALL,6X20	8	8		
132D	132Y0630	BOLT-FLANGED-SMALL,6X30	8	8		
132E	132Y0695	BOLT-FLANGED-SMALL,6X95	2	2		
670	670B2016	O RING,16MM	2	2		

This catalog covers:

'06~'07 KVF750 A6F/A7F Engine

GRID NO.

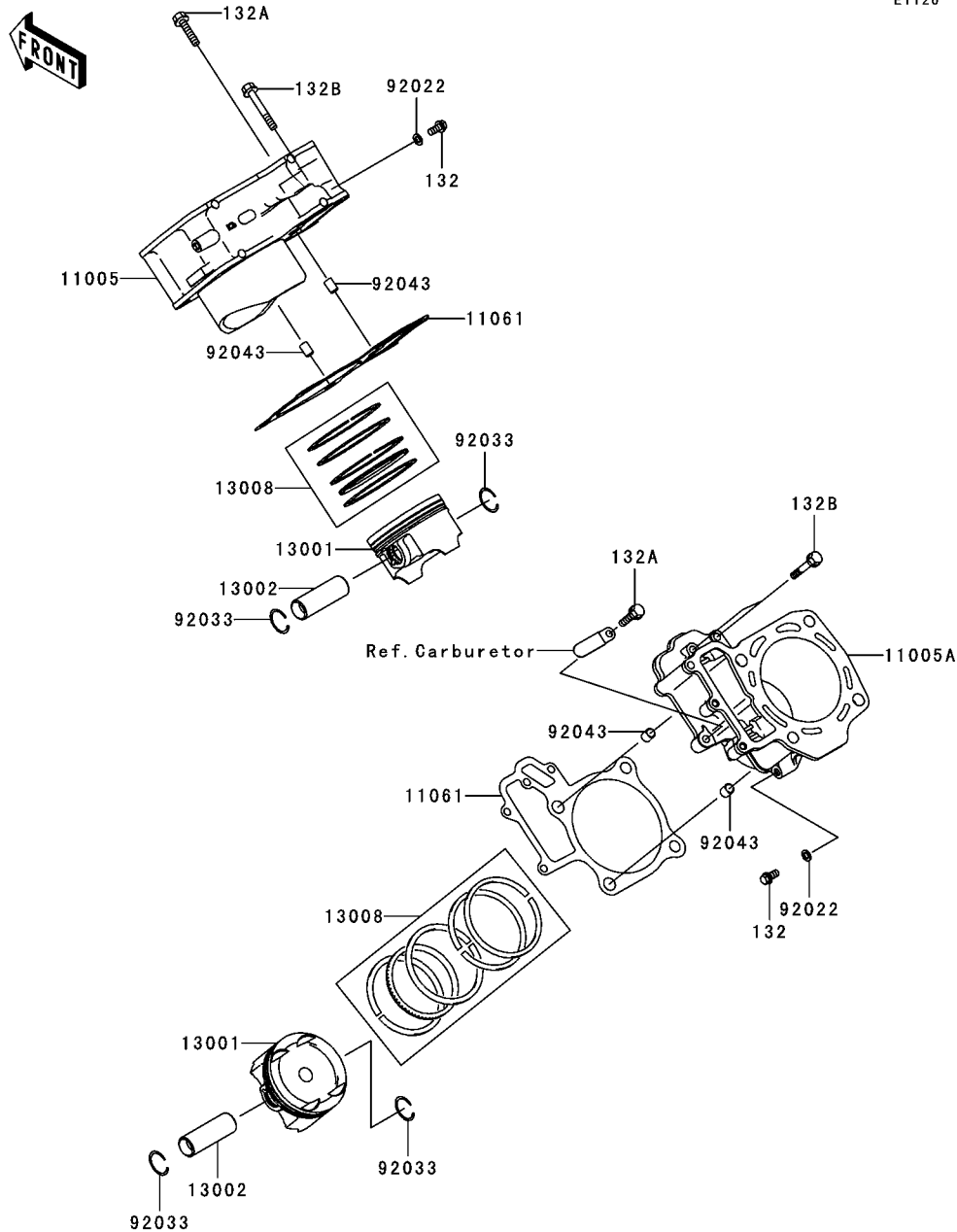
B-4

This grid covers:

Cylinder/Piston(s)

E1120

Ref. No.	Part No.	Description	Spec Code	Quantity-KVF750			
				'06	'07		
				A6F	A7F		
11005	11005-0022	CYLINDER-ENGINE,FR		1	1		
11005A	11005-0023	CYLINDER-ENGINE,RR		1	1		
11061	11061-0063	GASKET,CYLINDER BASE		2	2		
13001	13001-0021	PISTON-ENGINE		2	2		
13002	13002-1060	PIN-PISTON		2	2		
13008	13008-0008	RING-SET-PISTON		2	2		
92022	92022-304	WASHER,6.2X11X1		2	2		
92033	92033-1207	RING-SNAP		4	4		
92043	92043-4009	PIN,10.1X12X14		4	4		
132	132Y0612	BOLT-FLANGED-SMALL,6X12		2	2		
132A	132Y0630	BOLT-FLANGED-SMALL,6X30		2	2		
132B	132Y0640	BOLT-FLANGED-SMALL,6X40		4	4		



This catalog covers:

'06~'07 KVF750 A6F/A7F Engine

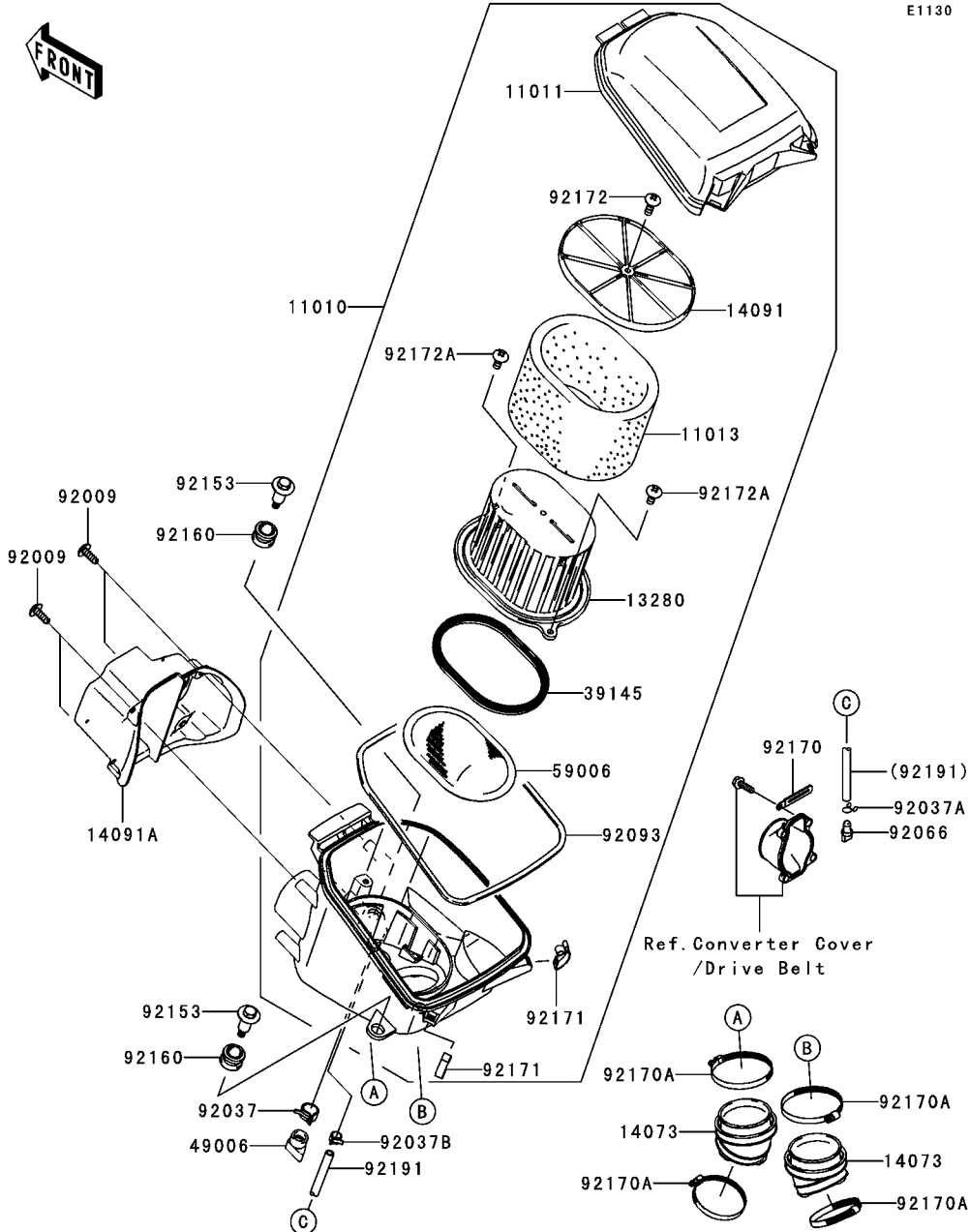
GRID NO.

B-5

This grid covers:

Air Cleaner

E1130



Ref. No.	Part No.	Description	Spec Code	Quantity-KVF750			
				'06	'07		
				A6F	A7F		
11010	11010-0023-6Z	FILTER-ASSY-AIR,F.BLACK	1	1			
11011	11011-0017-6Z	CASE-AIR FILTER,UPP,F.BLACK	1	1			
11013	11013-0007	ELEMENT-AIR FILTER	1	1			
13280	13280-0048	HOLDER	1	1			
14073	14073-0030	DUCT,JOINT	2	2			
14091	14091-0163	COVER,ELEMENT	1	1			
14091A	14091-0164	COVER,FR	1	1			
39145	39145-0001	TRIM-SEAL	1	1			
49006	49006-1292	BOOT	1	1			
59006	59006-0002	ARRESTER-FLAME	1	1			
92009	92009-1113	SCREW,TAPPING	4	4			
92037	92037-1460	CLAMP,HOSE CLIP	1	1			
92037A	92037-147	CLAMP,TUBE	1	1			
92037B	92037-1505	CLAMP,TUBE	1	1			
92066	92066-1211	PLUG,DRAIN	1	1			
92093	92093-0017	SEAL	1	1			
92153	92153-1052	BOLT,FLANGED,6X28.7	2	2			
92160	92160-1594	DAMPER	2	2			
92170	92170-1514	CLAMP	1	1			
92170A	92170-1763	CLAMP	4	4			
92171	92171-0225	CLAMP	2	2			
92172	92172-0130	SCREW,6X18	1	1			
92172A	92172-0131	SCREW,6X14	2	2			
92191	92191-1531	TUBE,7X11X470	1	1			

This catalog covers:

'06~'07 KVF750 A6F/A7F Engine

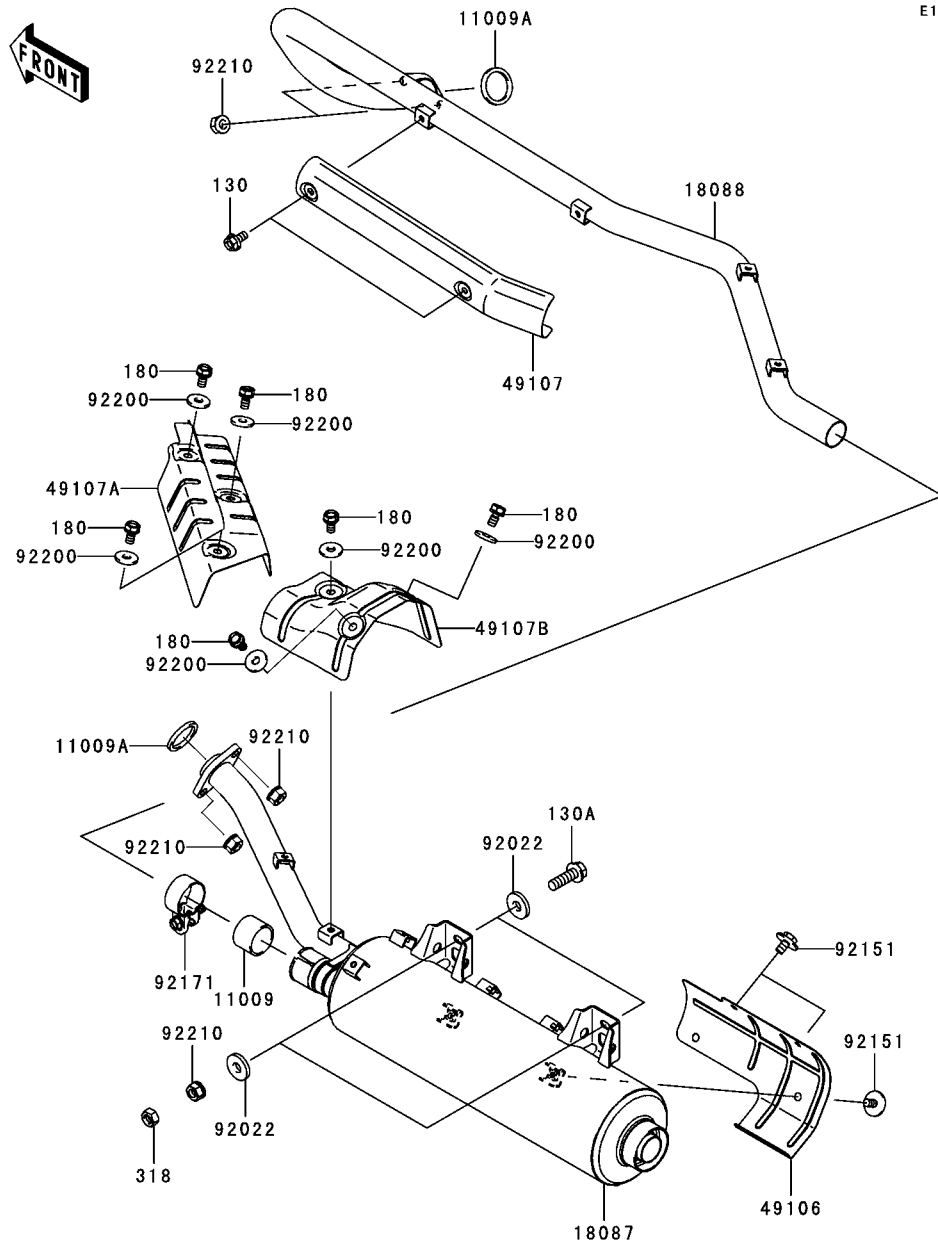
GRID NO.

B-6

This grid covers:

Muffler(s)(~JKAVFDA1 6B503806)

E1140



Ref. No.	Part No.	Description	Spec Code	Quantity-KVF750			
				'06	'07		
				A6F	A7F		
11009	11009-1865	GASKET,MUFFLER CONNECTING					
	L-----		AS	1			
11009A	11009-1894	GASKET,EXHAUST HOLDER					
	L-----		AS	2			
18087	18087-0066	MUFFLER					
	L-----		AS	1			
18088	18088-0146	PIPE-EXHAUST					
	L-----		AS	1			
49106	49106-0011	COVER-MUFFLER					
	L-----		AS	1			
49107	49107-0042	COVER-EXHAUST PIPE,FR					
	L-----		AS	1			
49107A	49107-0049	COVER-EXHAUST PIPE,CNT					
	L-----		AS	1			
49107B	49107-0050	COVER-EXHAUST PIPE,RR					
	L-----		AS	1			
92022	92022-276	WASHER,8.5X22X3.2					
	L-----		AS	4			
92151	92151-1944	BOLT,UPSET-WP,6X12					
	L-----		AS	4			
92171	92171-1330	CLAMP					
	L-----		AS	1			
92200	92200-2035	WASHER,6.5X18X2.0					
	L-----		AS	6			
92210	92210-1242	NUT,8MM					
	L-----		AS	6			
130	130J0610	BOLT-FLANGED,6X10					
	L-----		AS	2			
130A	130Z0825	BOLT-FLANGED,8X25					
	L-----		AS	2			
180	180Y0612	BOLT-UPSET-WS,6X12					
	L-----		AS	6			
318	318G0800	NUT-HEX-SMALL,8MM					
	L-----		AS	2			

This catalog covers:

'06~'07 KVF750 A6F/A7F Engine

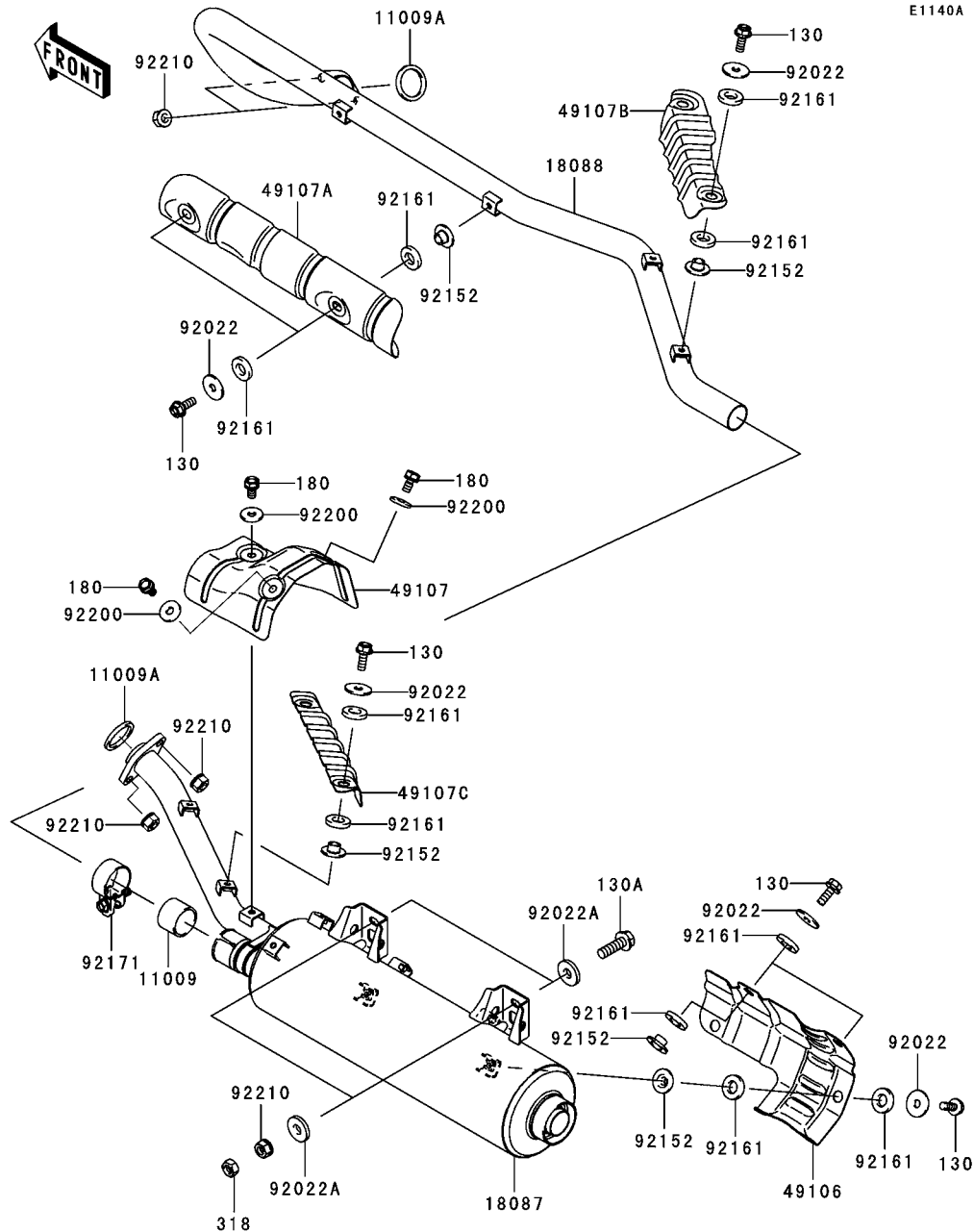
GRID NO.

B-7

This grid covers:

Muffler(s)(JKAVFDA1 6B503807~)

E1140A



Ref. No.	Part No.	Description	Spec Code	Quantity-KVF750			
				'06	'07		
				A6F	A7F		
11009	11009-1865	GASKET,MUFFLER CONNECTING	AS	1	1		
11009A	11009-1894	GASKET,EXHAUST HOLDER	AS	2	2		
18087	18087-0098	MUFFLER	AS	1	1		
18088	18088-0146	PIPE-EXHAUST	AS	1	1		
49106	49106-0048	COVER-MUFFLER	AS	1	1		
49107	49107-0050	COVER-EXHAUST PIPE,RR	AS	1	1		
49107A	49107-0065	COVER-EXHAUST PIPE,FR	AS	1	1		
49107B	49107-0066	COVER-EXHAUST PIPE,MIDDLE LH	AS	1	1		
49107C	49107-0067	COVER-EXHAUST PIPE,MIDDLE RH	AS	1	1		
92022	92022-237	WASHER,6.5X22X1.6	AS	10	10		
92022A	92022-276	WASHER,8.5X22X3.2	AS	4	4		
92152	92152-0423	COLLAR	AS	10	10		
92161	92161-0319	DAMPER	AS	20	20		
92171	92171-1330	CLAMP	AS	1	1		
92200	92200-2035	WASHER,6.5X18X2.0	AS	3	3		
92210	92210-1242	NUT,8MM	AS	6	6		
130	130Y0616	BOLT-FLANGED,6X16	AS	10	10		
130A	130Z0825	BOLT-FLANGED,8X25	AS	2	2		
180	180Y0612	BOLT-UPSET-WS,6X12	AS	3	3		
318	318G0800	NUT-HEX-SMALL,8MM	AS	2	2		

This catalog covers:

'06~'07 KVF750 A6F/A7F Engine

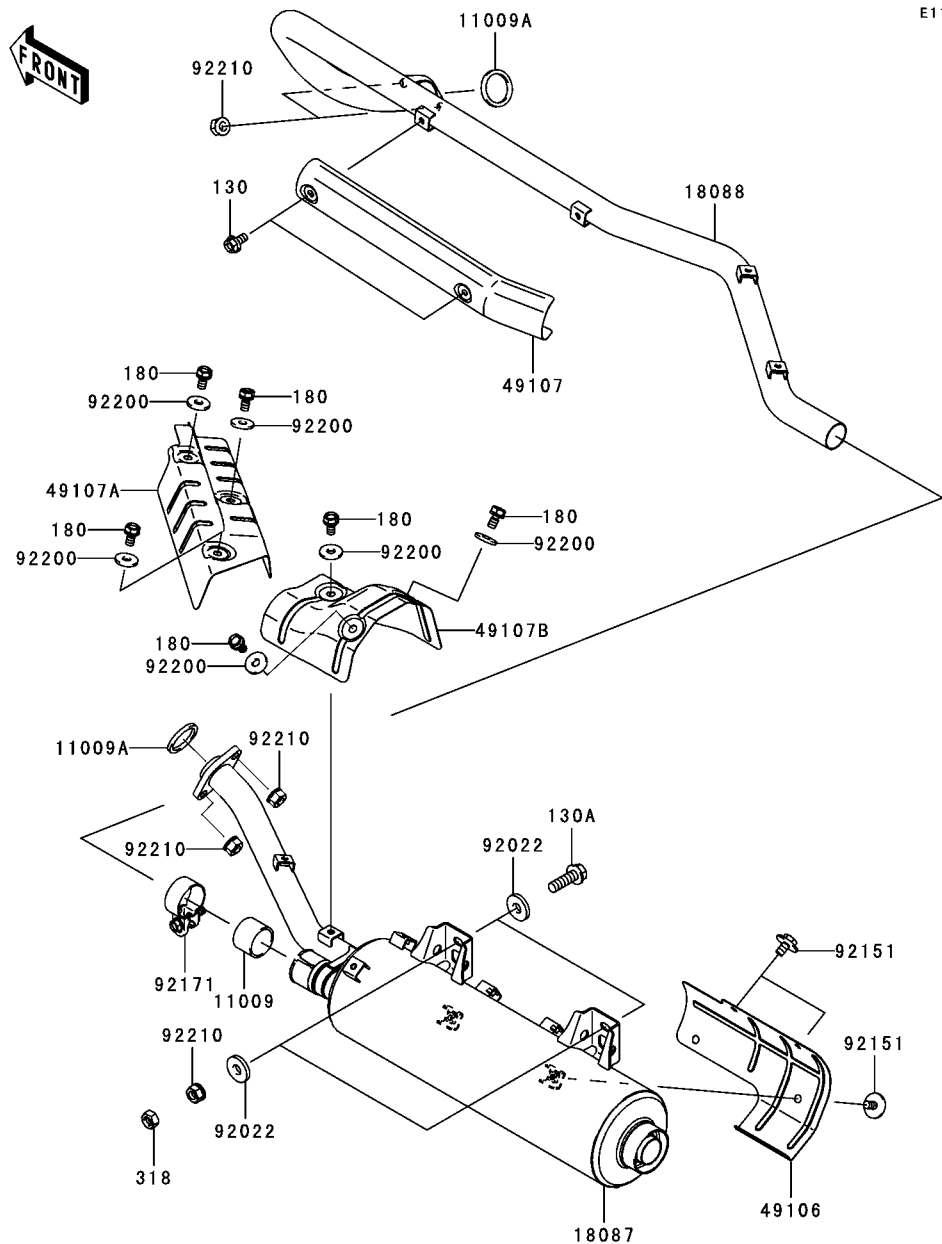
GRID NO.

B-8

This grid covers:

Muffler(s)(~JKAVF750AAB601906)

E1140B



Ref. No.	Part No.	Description	Spec Code	Quantity-KVF750			
				'06	'07		
				A6F	A7F		
11009	11009-1865	GASKET,MUFFLER CONNECTING					
	L-----						
11009A	11009-1894	GASKET,EXHAUST HOLDER					
	L-----						
18087	18087-0066	MUFFLER					
	L-----						
18088	18088-0146	PIPE-EXHAUST					
	L-----						
49106	49106-0011	COVER-MUFFLER					
	L-----						
49107	49107-0042	COVER-EXHAUST PIPE,FR					
	L-----						
49107A	49107-0049	COVER-EXHAUST PIPE,CNT					
	L-----						
49107B	49107-0050	COVER-EXHAUST PIPE,RR					
	L-----						
92022	92022-276	WASHER,8.5X22X3.2					
	L-----						
92151	92151-1944	BOLT,UPSET-WP,6X12					
	L-----						
92171	92171-1330	CLAMP					
	L-----						
92200	92200-2035	WASHER,6.5X18X2.0					
	L-----						
92210	92210-1242	NUT,8MM					
	L-----						
130	130J0610	BOLT-FLANGED,6X10					
	L-----						
130A	130Z0825	BOLT-FLANGED,8X25					
	L-----						
180	180Y0612	BOLT-UPSET-WS,6X12					
	L-----						
318	318G0800	NUT-HEX-SMALL,8MM					
	L-----						

This catalog covers:

'06~'07 KVF750 A6F/A7F Engine

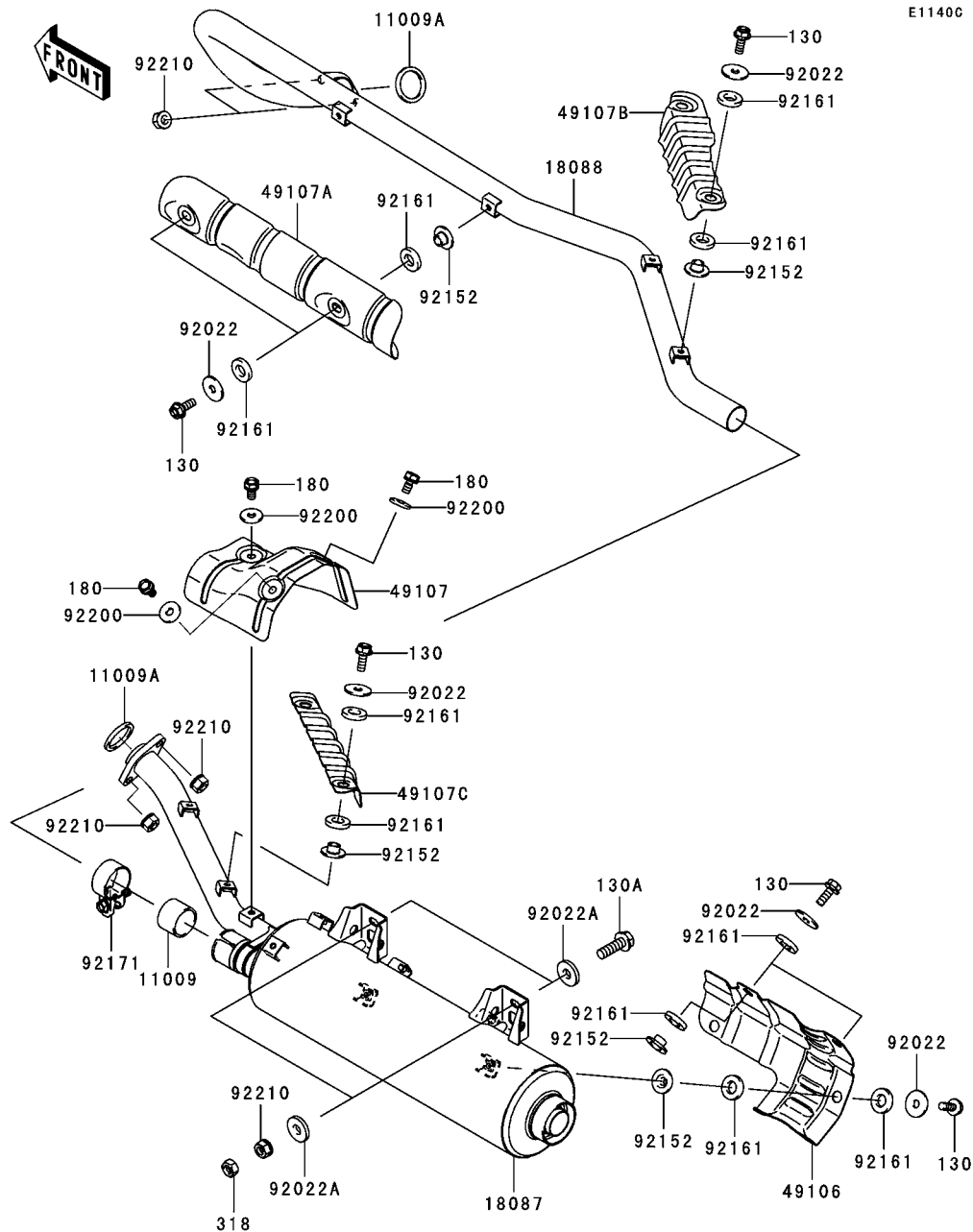
GRID NO.

B-9

This grid covers:

Muffler(s)(JKAVF750AAB601907~)

E1140G



Ref. No.	Part No.	Description	Spec Code	Quantity-KVF750			
				'06	'07		
				A6F	A7F		
11009	11009-1865	GASKET,MUFFLER CONNECTING					
	L-----		EU,UK	1	1		
11009A	11009-1894	GASKET,EXHAUST HOLDER					
	L-----		EU,UK	2	2		
18087	18087-0098	MUFFLER					
	L-----		EU,UK	1	1		
18088	18088-0146	PIPE-EXHAUST					
	L-----		EU,UK	1	1		
49106	49106-0048	COVER-MUFFLER					
	L-----		EU,UK	1	1		
49107	49107-0050	COVER-EXHAUST PIPE,RR					
	L-----		EU,UK	1	1		
49107A	49107-0065	COVER-EXHAUST PIPE,FR					
	L-----		EU,UK	1	1		
49107B	49107-0066	COVER-EXHAUST PIPE,MIDDLE LH					
	L-----		EU,UK	1	1		
49107C	49107-0067	COVER-EXHAUST PIPE,MIDDLE RH					
	L-----		EU,UK	1	1		
92022	92022-237	WASHER,6.5X22X1.6					
	L-----		EU,UK	10	10		
92022A	92022-276	WASHER,8.5X22X3.2					
	L-----		EU,UK	4	4		
92152	92152-0423	COLLAR					
	L-----		EU,UK	10	10		
92161	92161-0319	DAMPER					
	L-----		EU,UK	20	20		
92171	92171-1330	CLAMP					
	L-----		EU,UK	1	1		
92200	92200-2035	WASHER,6.5X18X2.0					
	L-----		EU,UK	3	3		
92210	92210-1242	NUT,8MM					
	L-----		EU,UK	6	6		
130	130Y0616	BOLT-FLANGED,6X16					
	L-----		EU,UK	10	10		
130A	130Z0825	BOLT-FLANGED,8X25					
	L-----		EU,UK	2	2		
180	180Y0612	BOLT-UPSET-WS,6X12					
	L-----		EU,UK	3	3		
318	318G0800	NUT-HEX-SMALL,8MM					
	L-----		EU,UK	2	2		

This catalog covers:

'06~'07 KVF750 A6F/A7F Engine

GRID NO.

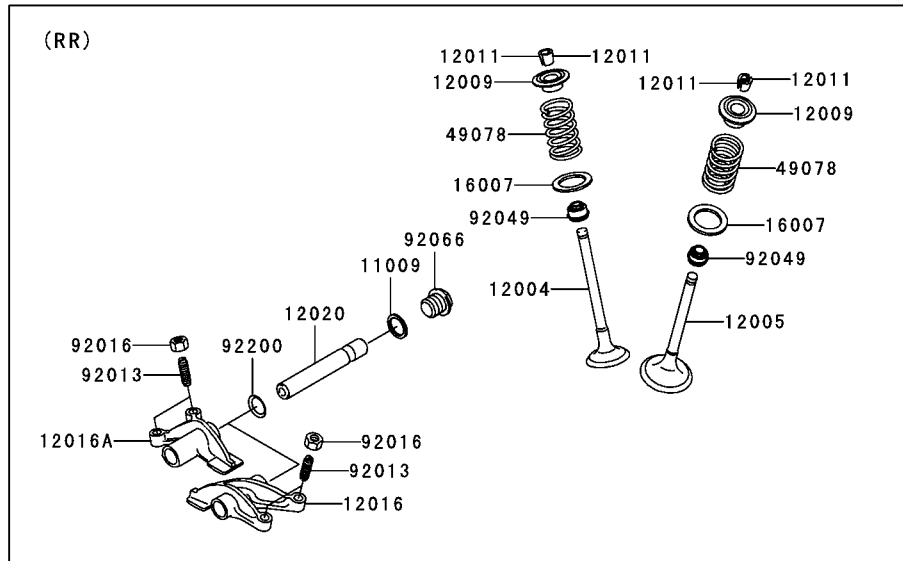
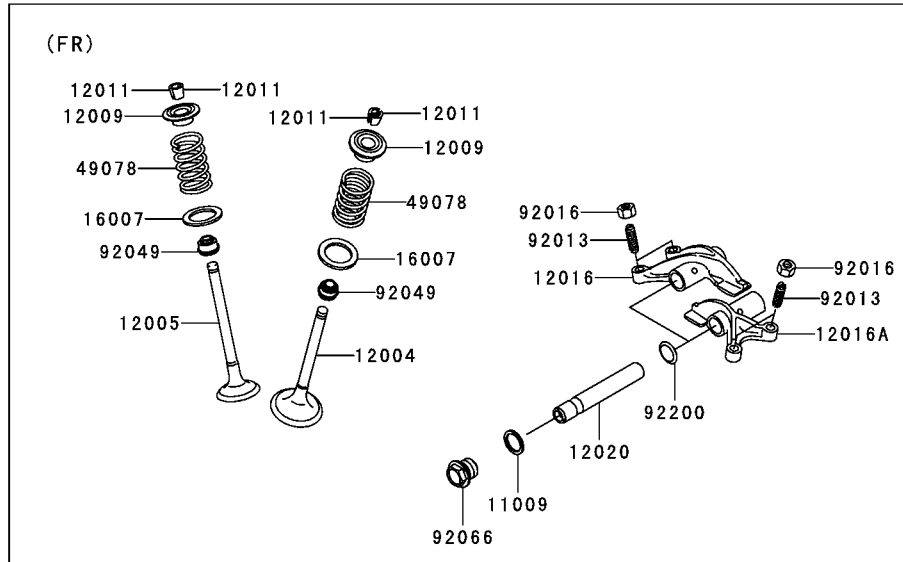
B-10

This grid covers:

Valve(s)

E1210

Ref. No.	Part No.	Description	Spec Code	Quantity-KVF750			
				'06	'07		
				A6F	A7F		
11009	11009-1430	GASKET,14X18X1.5	4	4			
12004	12004-0007	VALVE-INTAKE	4	4			
12005	12005-0040	VALVE-EXHAUST	4	4			
12009	12009-1056	RETAINER-VALVE SPRING	8	8			
12011	12011-1051	COLLET	16	16			
12016	12016-1128	ARM-ROCKER,EXHAUST	2	2			
12016A	12016-1129	ARM-ROCKER,INTAKE	2	2			
12020	12020-0004	SHAFT-ROCKER	4	4			
16007	16007-1178	SEAT-SPRING,17.5X23.8X0.5	8	8			
49078	49078-0014	SPRING-ENGINE VALVE	8	8			
92013	92013-009	SCREW,6MM	8	8			
92016	92016-061	NUT,6MM	8	8			
92049	92049-1218	SEAL-OIL,VSB58.558	8	8			
92066	92066-2196	PLUG,DRAIN	4	4			
92200	92200-1508	WASHER,13X17X0.3	4	4			



This catalog covers:

'06~'07 KVF750 A6F/A7F Engine

GRID NO.

B-11

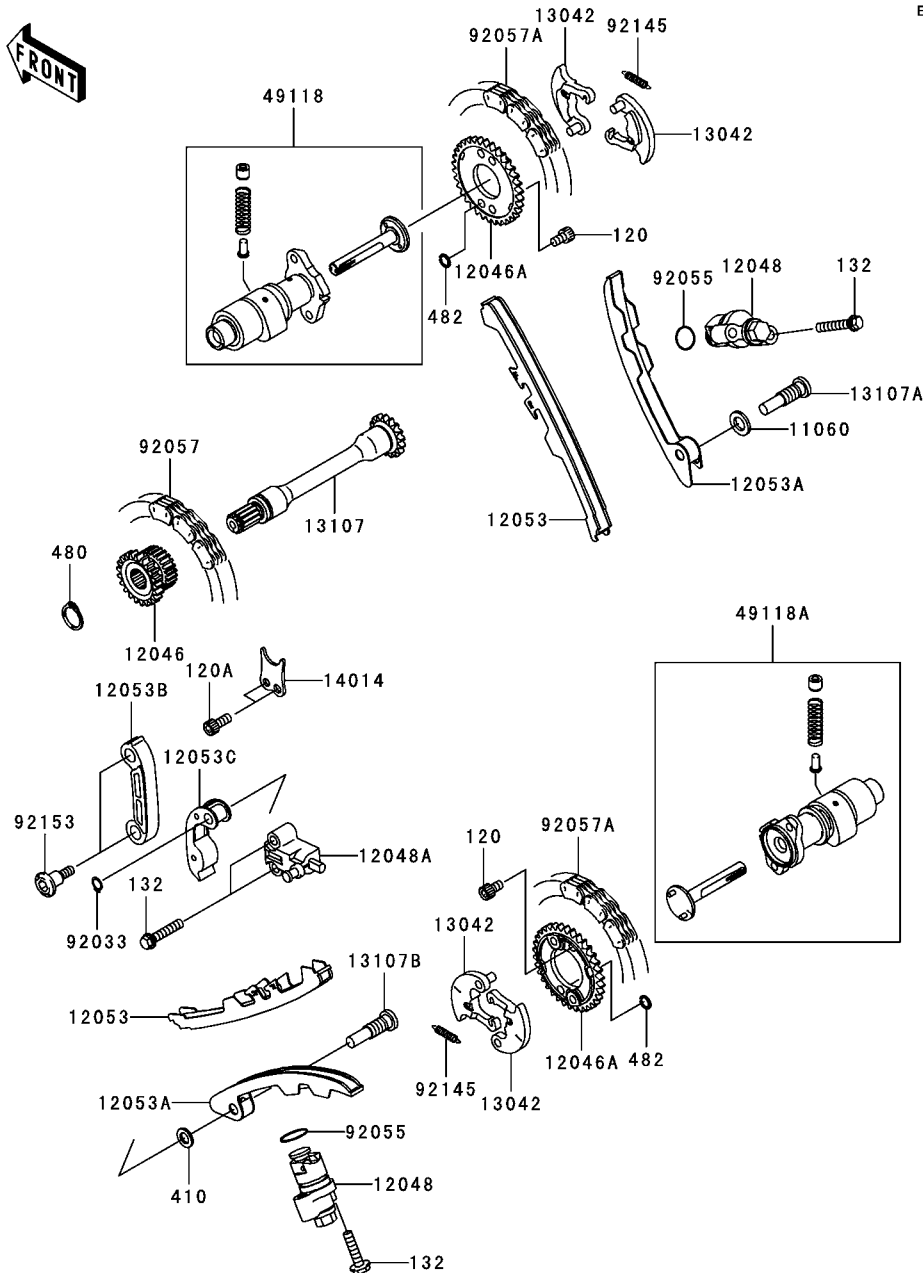
This grid covers:

Camshaft(s)/Tensioner

E1230

Ref. No.	Part No.	Description	Spec Code	Quantity-KVF750			
				'06	'07		
				A6F	A7F		

11060	11060-1966	GASKET		1	1		
12046	12046-0021	SPROCKET,21T&17T		1	1		
12046A	12046-1203	SPROCKET,CAMSHAFT,34T		2	2		
12048	12048-1176	TENSIONER-ASSY,CAM		2	2		
12048A	12048-1177	TENSIONER-ASSY,SECONDARY		1	1		
12053	12053-1441	GUIDE-CHAIN,CAMSHAFT,TENSION		2	2		
12053A	12053-1442	GUIDE-CHAIN,CAMSHAFT,SLACK		2	2		
12053B	12053-1443	GUIDE-CHAIN,TENSION		1	1		
12053C	12053-1444	GUIDE-CHAIN,SLACK		1	1		
13042	13042-1141	WEIGHT,DECOMP		4	4		
13107	13107-0029	SHAFT		1	1		
13107A	13107-1443	SHAFT,CHAIN GUIDE,FR		1	1		
13107B	13107-1444	SHAFT,CHAIN GUIDE,RR		1	1		
14014	14014-1148	PLATE-POSITION,DRIVE		1	1		
49118	49118-0001	CAMSHAFT-COMP,FR		1	1		
49118A	49118-0002	CAMSHAFT-COMP,RR		1	1		
92033	92033-1039	RING-SNAP,8MM		1	1		
92055	92055-086	RING-O,18.8X1.9		2	2		
92057	92057-0073	CHAIN,DID SCR-0412 SDH		1	1		
92057A	92057-0074	CHAIN,DID SCR-0409 SDH		2	2		
92145	92145-1303	SPRING,DECOMP		2	2		
92153	92153-1200	BOLT,SOCKET,6X24.5		2	2		
120	120P0610	BOLT-SOCKET,6X10		4	4		
120A	120S0614	BOLT-SOCKET,6X14		2	2		
132	132Y0630	BOLT-FLANGED-SMALL,6X30		6	6		
410	410B0800	WASHER-PLAIN-SMALL,8MM		1	1		
480	480J1400	CIRCLIP-TYPE-C,14MM		1	1		
482	482J5000	CIRCLIP-TYPE-E		4	4		



This catalog covers:

'06~'07 KVF750 A6F/A7F Engine

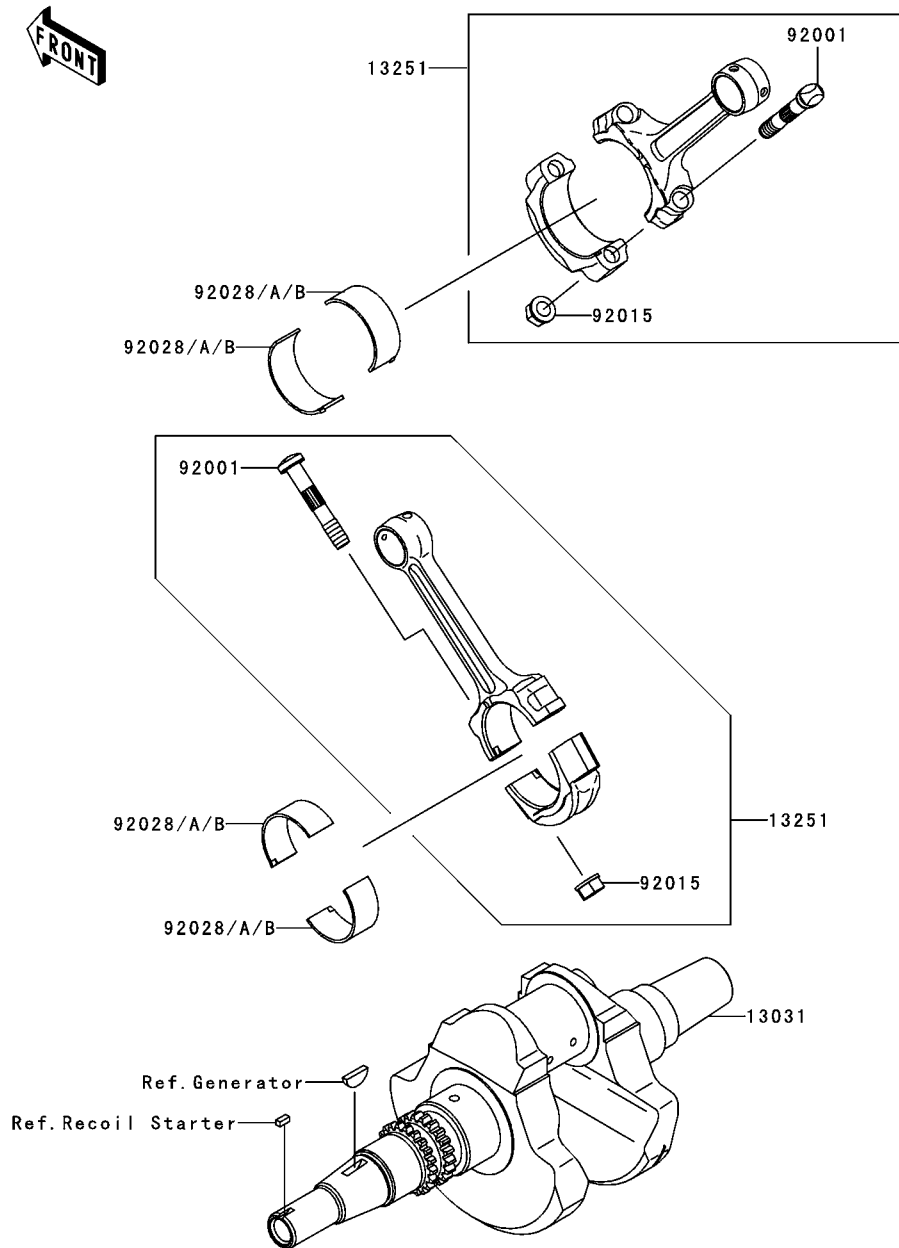
GRID NO.

B-12

This grid covers:

Crankshaft

E1321



Ref. No.	Part No.	Description	Spec Code	Quantity-KVF750			
				'06	'07		
				A6F	A7F		
13031	13031-0079	CRANKSHAFT-COMP	1	1			
13251	13251-1143	ROD-ASSY-CONNECTING	2	2			
92001	92001-1980	BOLT,CONNECTING ROD	4	4			
92015	92015-1311	NUT,FLANGED,8MM	4	4			
92028	92028-1961	BUSHING,CONNECTING ROD,GREEN	AR	AR			
92028A	92028-1962	BUSHING,CONNECTING ROD,YELLOW	4	4			
92028B	92028-1963	BUSHING,CONNECTING ROD,BROWN	AR	AR			

This catalog covers:

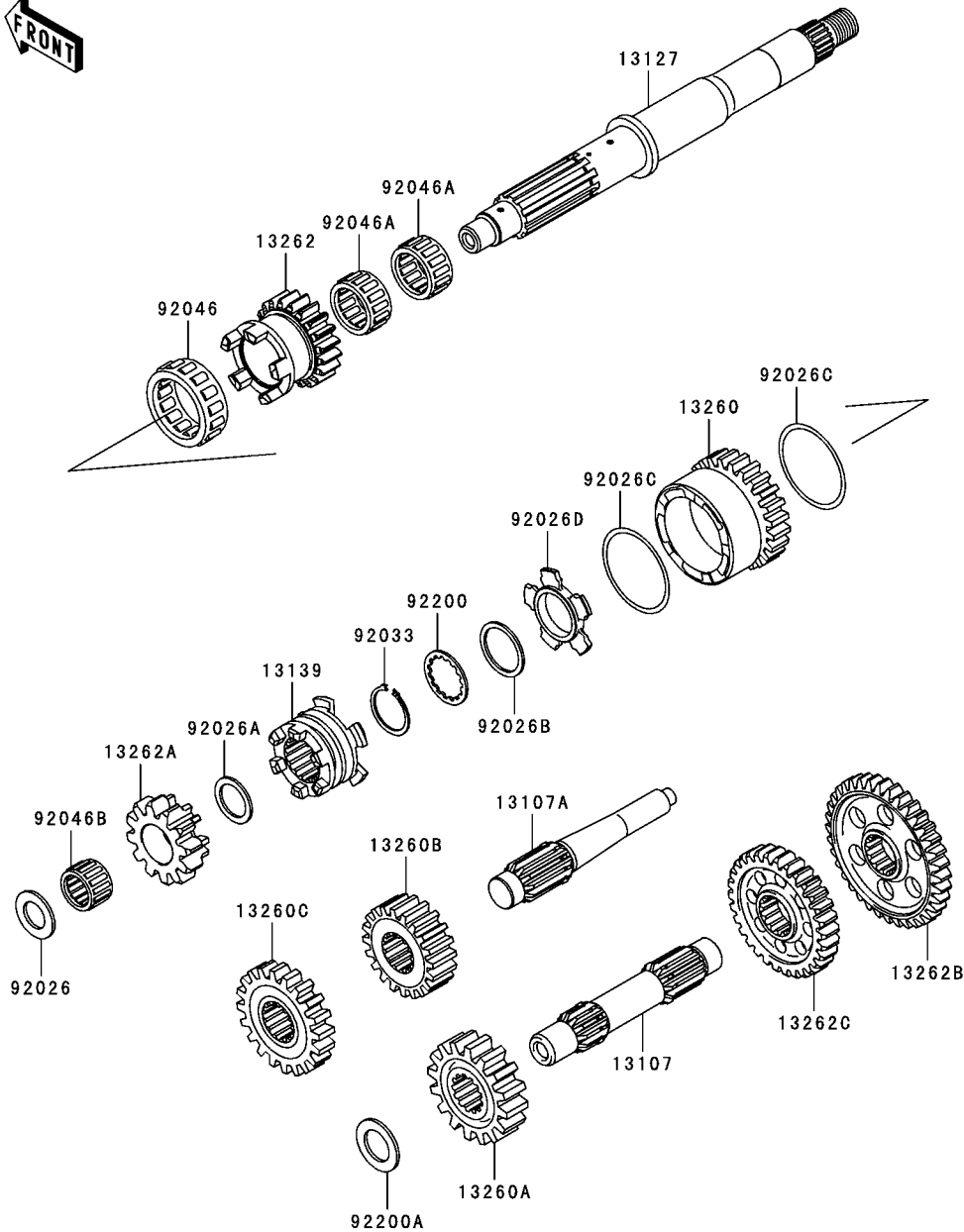
'06~'07 KVF750 A6F/A7F Engine

GRID NO.

B-13

This grid covers:

Transmission



E1361

Ref. No.	Part No.	Description	Spec Code	Quantity-KVF750			
				'06	'07		
				A6F	A7F		
13107	13107-0113	SHAFT,COUNTER		1	1		
13107A	13107-1437	SHAFT,REVERSE, IDLE		1	1		
13127	13127-1282	SHAFT-TRANSMISSION INPUT		1	1		
13139	13139-0003	SHIFTER		1	1		
13260	13260-1867	GEAR,INPUT HIGH,26T		1	1		
13260A	13260-1871	GEAR,OUTPUT DRIVE,18T		1	1		
13260B	13260-1872	GEAR,OUTPUT REVERSE,16T		1	1		
13260C	13260-1873	GEAR,DRIVEN REVERSE,16T		1	1		
13262	13262-0234	GEAR,INPUT LOW,20T		1	1		
13262A	13262-0235	GEAR,INPUT REVERSE,12T		1	1		
13262B	13262-0313	GEAR,DRIVEN LOW,36T		1	1		
13262C	13262-0314	GEAR,DRIVEN HI,30T		1	1		
92026	92026-1415	SPACER,17.3X30X2.0		1	1		
92026A	92026-1568	SPACER,21.2X29X1.6		1	1		
92026B	92026-1587	SPACER,28.2X34.5X1.6		1	1		
92026C	92026-1599	SPACER,48.2X54.3X1.0		2	2		
92026D	92026-1600	SPACER,HI&LOW		1	1		
92033	92033-1037	RING-SNAP,25.9X30.6X1.2		1	1		
92046	92046-1276	BEARING-NEEDLE,HIGH GEAR		1	1		
92046A	92046-1278	BEARING-NEEDLE,FWF-283317		2	2		
92046B	92046-1279	BEARING-NEEDLE,REVERSE GEAR		1	1		
92200	92200-1240	WASHER,28.5X34.0X1.5		1	1		
92200A	92200-1351	WASHER,20.3X33X2.0		1	1		

This catalog covers:

'06~'07 KVF750 A6F/A7F Engine

GRID NO.

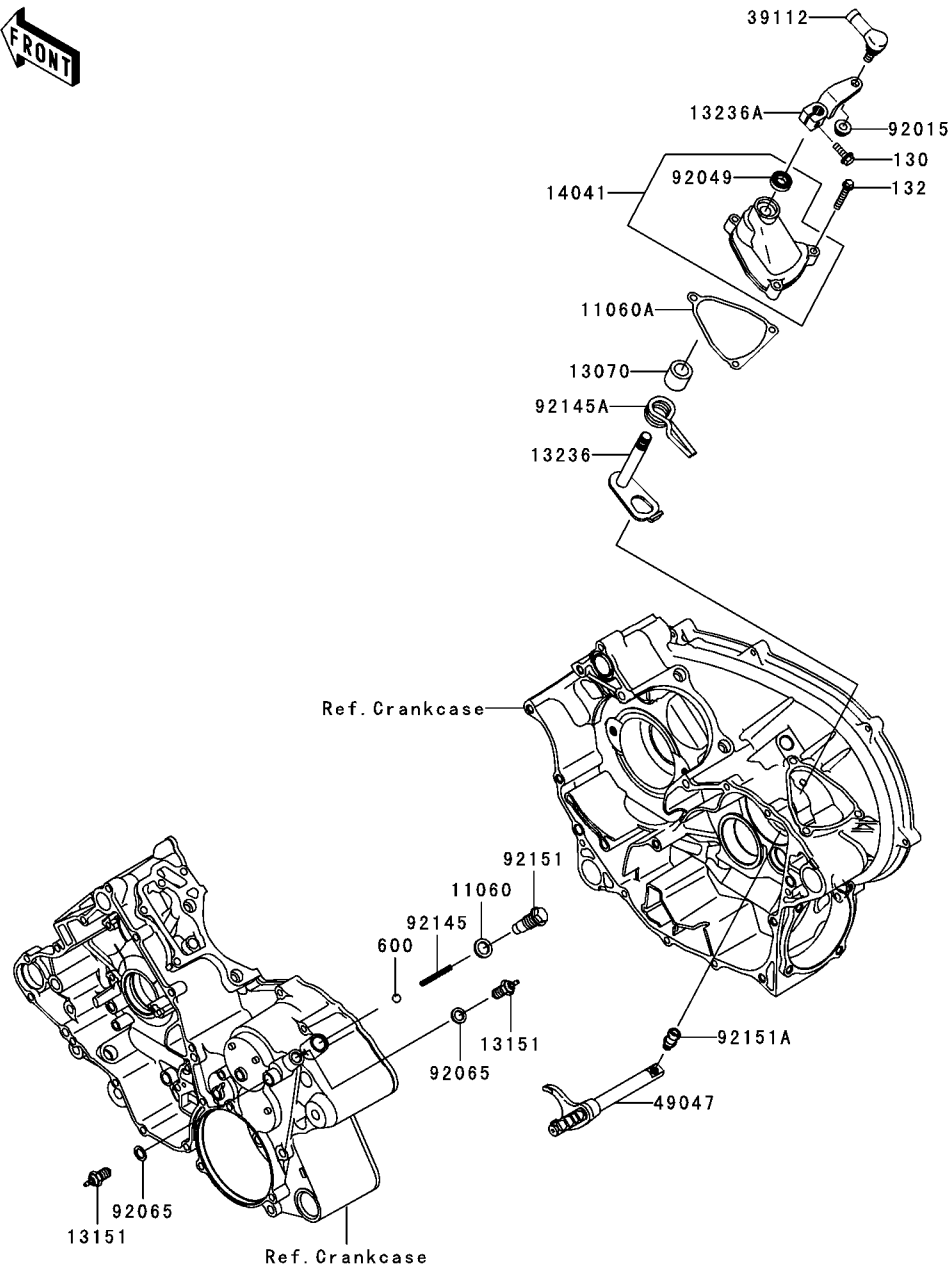
B-14

This grid covers:

Gear Change Mechanism



E1370



Ref. No.	Part No.	Description	Spec Code	Quantity-KVF750			
				'06	'07		
				A6F	A7F		
11060	11060-1287	GASKET,14X20X2	1	1			
11060A	11060-1956	GASKET,CHANGE LEVER COVER	1	1			
13070	13070-1352	GUIDE	1	1			
13151	13151-1080	SWITCH-COMP,NEUTRAL	2	2			
13236	13236-0051	LEVER-COMP,CHANGE	1	1			
13236A	13236-1343	LEVER-COMP,CHANGE LEVER	1	1			
14041	14041-1136	COVER-COMP,CHANGE LEVER	1	1			
39112	39112-1080	RODEND-TIE,CHANGE LEVER	1	1			
49047	49047-1104	ROD-SHIFT	1	1			
92015	92015-1432	NUT,8MM	1	1			
92049	92049-1271	SEAL-OIL,TB12205.5	1	1			
92065	92065-058	GASKET,10.5X16X1	2	2			
92145	92145-1297	SPRING,CHANGE POSITION	1	1			
92145A	92145-1299	SPRING,CHANGE LEVER	1	1			
92151	92151-1687	BOLT,CHANGE POSITION	1	1			
92151A	92151-1699	BOLT,SHIFT ROD	1	1			
130	130Z0620	BOLT-FLANGED,6X20	1	1			
132	132Y0630	BOLT-FLANGED-SMALL,6X30	3	3			
600	600A1000	BALL-STEEL,5/16"	1	1			

This catalog covers:

'06~'07 KVF750 A6F/A7F Engine

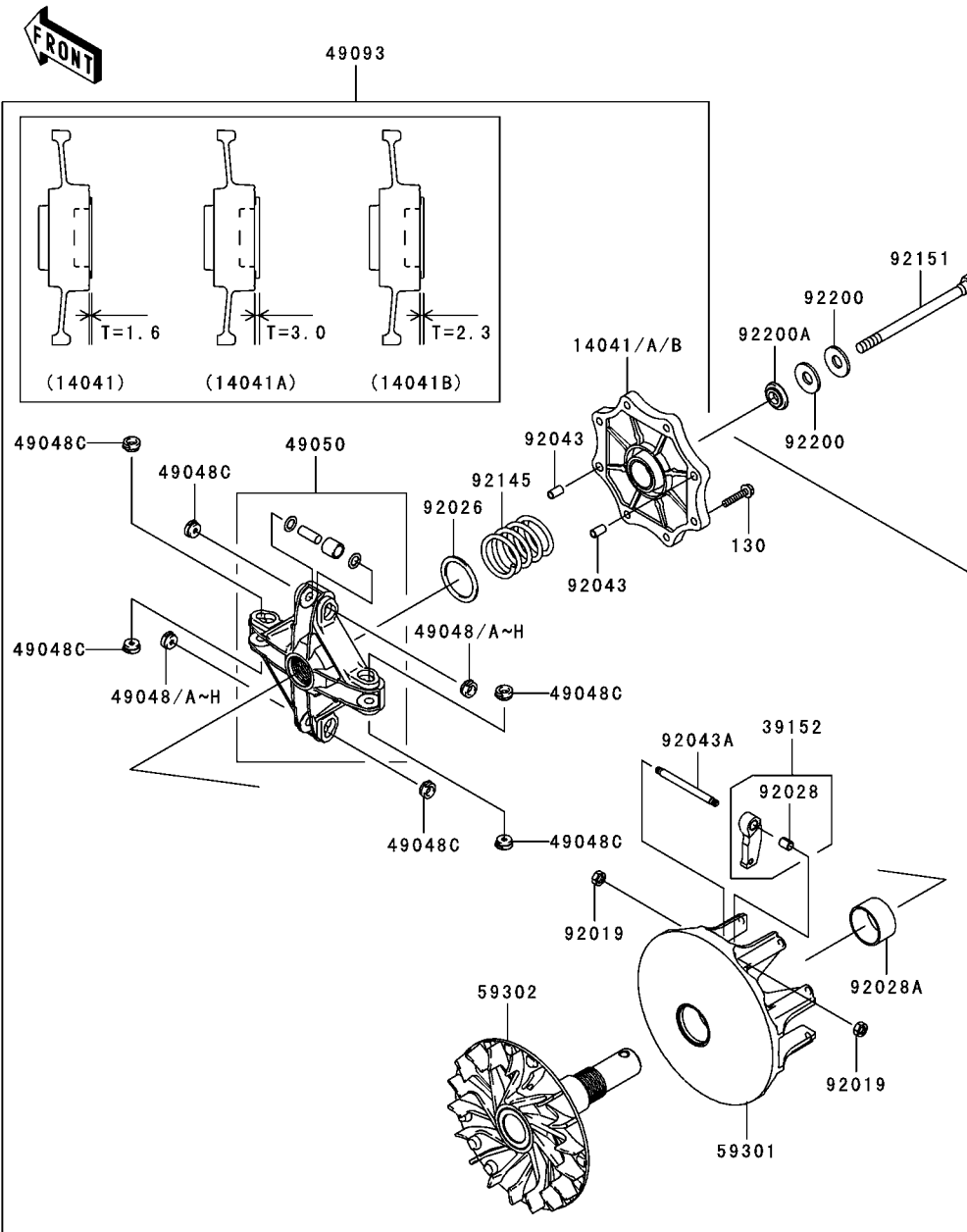
GRID NO.

C-3

This grid covers:

Drive Converter

E1391



Ref. No.	Part No.	Description	Spec Code	Quantity-KVF750			
				'06	'07		
				A6F	A7F		
14041	14041-1159	COVER-COMP,RED	AR	AR			
14041A	14041-1160	COVER-COMP,BLUE	AR	AR			
14041B	14041-1161	COVER-COMP,STD	AR	AR			
39152	39152-1081	WEIGHT-RAMP	4	4			
49048	49048-1087	SHOE,T=7.2	AR	AR			
49048A	49048-1088	SHOE,T=7.3	AR	AR			
49048B	49048-1089	SHOE,T=7.4	AR	AR			
49048C	49048-1090	SHOE,T=7.5	8	8			
49048D	49048-1091	SHOE,T=7.6	AR	AR			
49048E	49048-1092	SHOE,T=7.7	AR	AR			
49048F	49048-1093	SHOE,T=7.8	AR	AR			
49048G	49048-1094	SHOE,T=7.9	AR	AR			
49048H	49048-1095	SHOE,T=8.0	AR	AR			
49050	49050-1081	SPIDER	1	1			
49093	49093-0014	CONVERTER-ASSY-DRIVE	1	1			
59301	59301-1070	SHEAVE-MOVABLE	1	1			
59302	59302-0003	SHEAVE-COMP	1	1			
92019	92019-008	NUT,LOCK,6MM	8	8			
92026	92026-1603	SPACER,39X49.5X1.0	1	1			
92028	92028-1973	BUSHING	4	4			
92028A	92028-1975	BUSHING	1	1			
92043	92043-1263	PIN,6.2X8X14	2	2			
92043A	92043-1688	PIN	4	4			
92145	92145-1465	SPRING	1	1			
92151	92151-1393	BOLT,12X165	1	1			
92200	92200-1504	WASHER,SPRING	2	2			
92200A	92200-1634	WASHER	1	1			
130	130T0630	BOLT-FLANGED,6X30	8	8			

This catalog covers:

'06~'07 KVF750 A6F/A7F Engine

GRID NO.

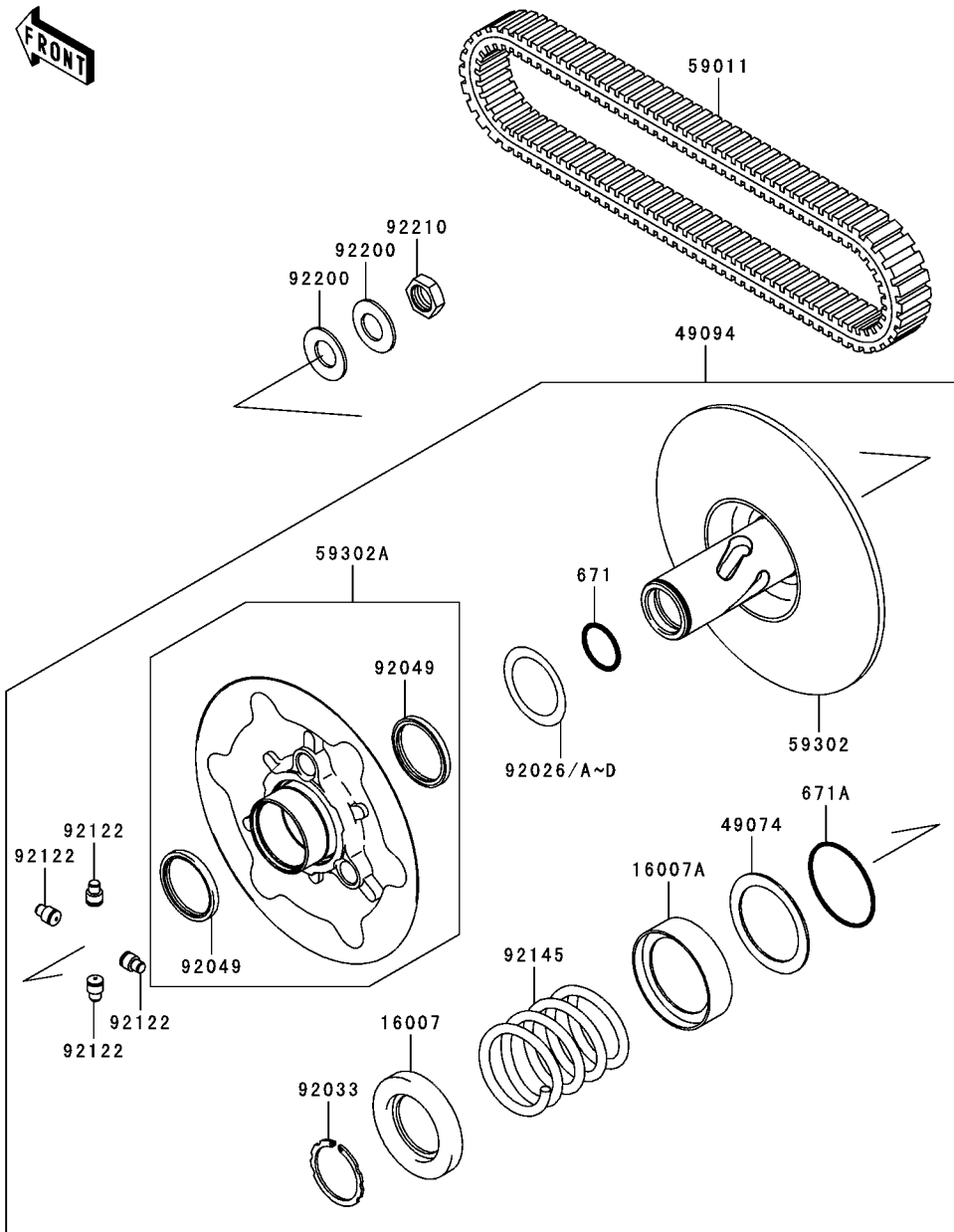
C-4

This grid covers:

Driven Converter/Drive Belt

E1392

Ref. No.	Part No.	Description	Spec Code	Quantity-KVF750			
				'06	'07		
				A6F	A7F		
16007	16007-1203	SEAT-SPRING		1	1		
16007A	16007-1221	SEAT-SPRING,SHEAVE MOVABLE		1	1		
49074	49074-1055	PLATE-THRUST		1	1		
49094	49094-0019	CONVERTER-ASSY-DRIVEN		1	1		
59011	59011-0003	BELT		1	1		
59302	59302-0001	SHEAVE-COMP,FIXED		1	1		
59302A	59302-0002	SHEAVE-COMP,MOVABLE		1	1		
92026	92026-0034	SPACER,T=0.30		AR	AR		
92026A	92026-1565	SPACER,T=1.00		AR	AR		
92026B	92026-1569	SPACER,T=0.60		AR	AR		
92026C	92026-1570	SPACER,T=1.40		AR	AR		
92026D	92026-1617	SPACER,T=0.80		AR	AR		
92033	92033-1317	RING-SNAP		1	1		
92049	92049-1528	SEAL-OIL		2	2		
92122	92122-1209	ROLLER		4	4		
92145	92145-1499	SPRING,PURPLE		1	1		
92200	92200-1505	WASHER		2	2		
92210	92210-1367	NUT,18MM		1	1		
671	671D2530	O RING		1	1		
671A	671D2550	O RING		1	1		



This catalog covers:

'06~'07 KVF750 A6F/A7F Engine

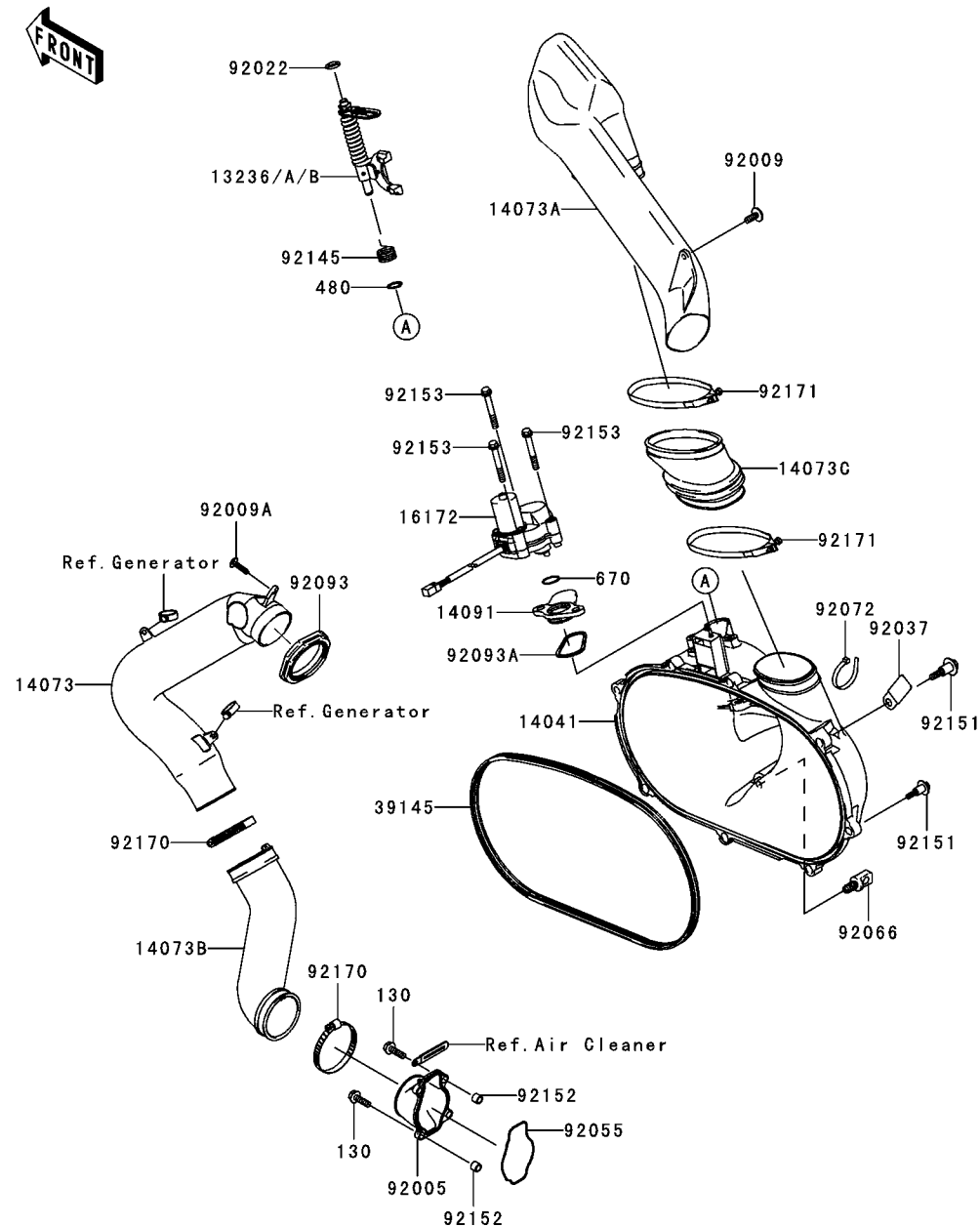
GRID NO.

C-5

This grid covers:

Converter Cover

E1393



Ref. No.	Part No.	Description	Quantity-KVF750			
			'06	'07		
			A6F	A7F		
13236	13236-0046	LEVER-COMP,YELLOW	AR	AR		
13236A	13236-0047	LEVER-COMP,GREEN	AR	AR		
13236B	13236-0048	LEVER-COMP,PAINT LESS	1	1		
14041	14041-0004	COVER-COMP	1	1		
14073	14073-0025	DUCT,INTAKE	1	1		
14073A	14073-0026	DUCT,EXHAUST	1	1		
14073B	14073-0027	DUCT,INTAKE JOINT	1	1		
14073C	14073-0028	DUCT,EXHAUST JOINT	1	1		
14091	14091-1421	COVER	1	1		
16172	16172-0006	ACTUATOR	1	1		
39145	39145-1135	TRIM-SEAL	1	1		
92005	92005-1387	FITTING	1	1		
92009	92009-1694	SCREW,6X16	1	1		
92009A	92009-1993	SCREW,TAPPING,5X20	1	1		
92022	92022-1829	WASHER,10.2X16X1	1	1		
92037	92037-1780	CLAMP	1	1		
92055	92055-1630	RING-O	1	1		
92066	92066-1580	PLUG,DRAIN,11X19	1	1		
92072	92072-1239	BAND,L=188	1	1		
92093	92093-0016	SEAL	1	1		
92093A	92093-1548	SEAL	1	1		
92145	92145-1567	SPRING	1	1		
92151	92151-1686	BOLT,FLANGED,6X30	8	8		
92152	92152-1332	COLLAR	4	4		
92153	92153-0678	BOLT,6X47	3	3		
92170	92170-1764	CLAMP	2	2		
92171	92171-0208	CLAMP	2	2		
130	130Z0620	BOLT-FLANGED,6X20	4	4		
480	480J1000	CIRCLIP-TYPE-C,10MM	1	1		
670	670D3022	O RING	1	1		

This catalog covers:

'06~'07 KVF750 A6F/A7F Engine

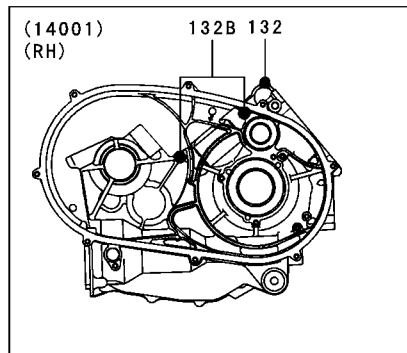
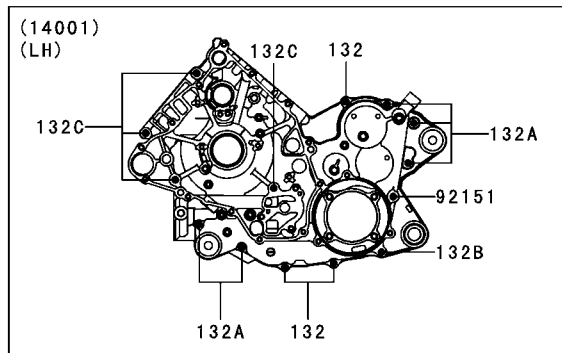
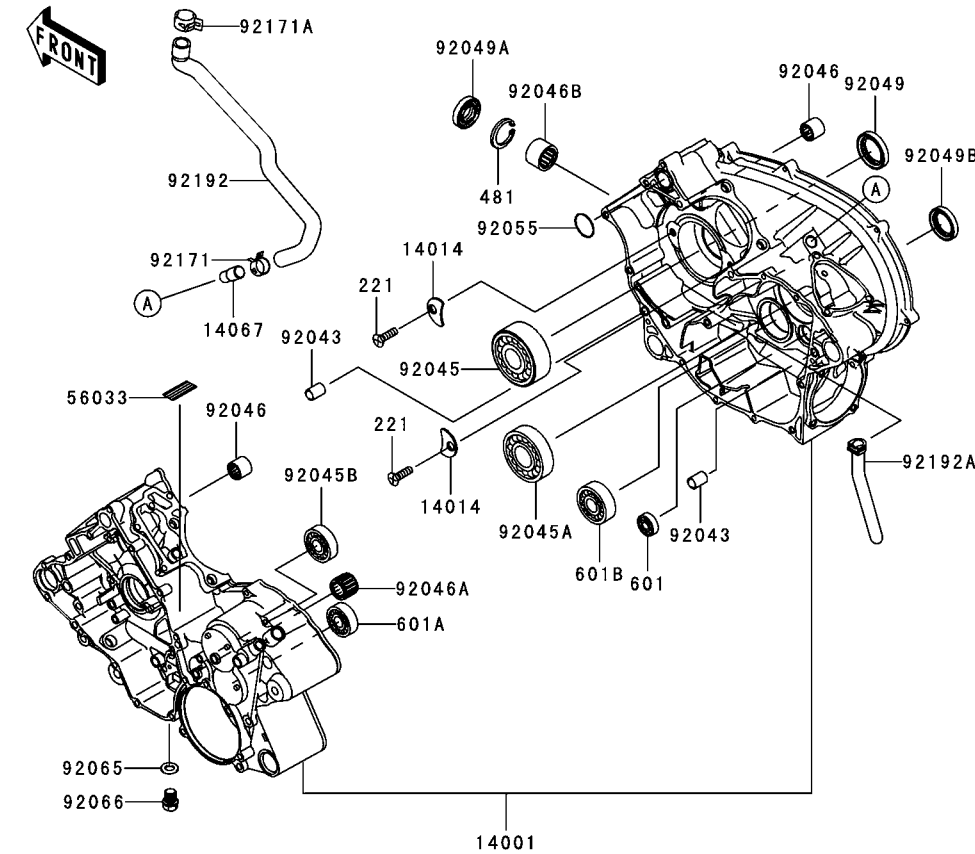
GRID NO.

C-6

This grid covers:

Crankcase

E1411



Ref. No.	Part No.	Description	Quantity-KVF750			
			Spec Code		'06	'07
			A6F	A7F		
14001	14001-0015	SET-CRANKCASE			1	1
14014	14014-0006	PLATE-POSITION			2	2
14067	14067-006	FITTING,BREATHER			1	1
56033	56033-0078	LABEL-MANUAL,OIL LEVEL			1	1
92043	92043-1506	PIN			2	2
92045	92045-0012	BEARING-BALL,5208X2-A-ECG45			1	1
92045A	92045-1190	BEARING-BALL,6306SH2			1	1
92045B	92045-1389	BEARING-BALL,6303LUA			1	1
92046	92046-1118	BEARING-NEEDLE,TA202715ZE			2	2
92046A	92046-1143	BEARING-NEEDLE			1	1
92046B	92046-1277	BEARING-NEEDLE,FJ-2820WA			1	1
92049	92049-1452	SEAL-OIL,TC 35X50X8			1	1
92049A	92049-1570	SEAL-OIL,TCY 28X42X8			1	1
92049B	92049-1575	SEAL-OIL,HTC 30X45X8			1	1
92055	92055-1136	RING-O,25.7X2.4			1	1
92065	92065-097	GASKET,12X22X2			1	1
92066	92066-1174	PLUG,OIL DRAIN,12X15			1	1
92151	92151-1689	BOLT,8X110			1	1
92171	92171-0329	CLAMP			1	1
92171A	92171-0514	CLAMP			1	1
92192	92192-0054	TUBE,BREATHER			1	1
92192A	92192-0057	TUBE,OIL RETURN			1	1
132	132Y0640	BOLT-FLANGED-SMALL,6X40			4	4
132A	132Y0665	BOLT-FLANGED-SMALL,6X65			5	5
132B	132Y08110	BOLT-FLANGED-SMALL,8X110			3	3
132C	132Y0875	BOLT-FLANGED-SMALL,8X75			4	4
221	221B0616	SCREW-CSK-CROS,6X16			2	2
481	481J3700	CIRCLIP-TYPE-C,37MM			1	1
601	601A6000	BEARING-BALL			1	1
601A	601A6004	BEARING-BALL,#6004			1	1
601B	601A6304	BEARING-BALL,#6304			1	1

This catalog covers:

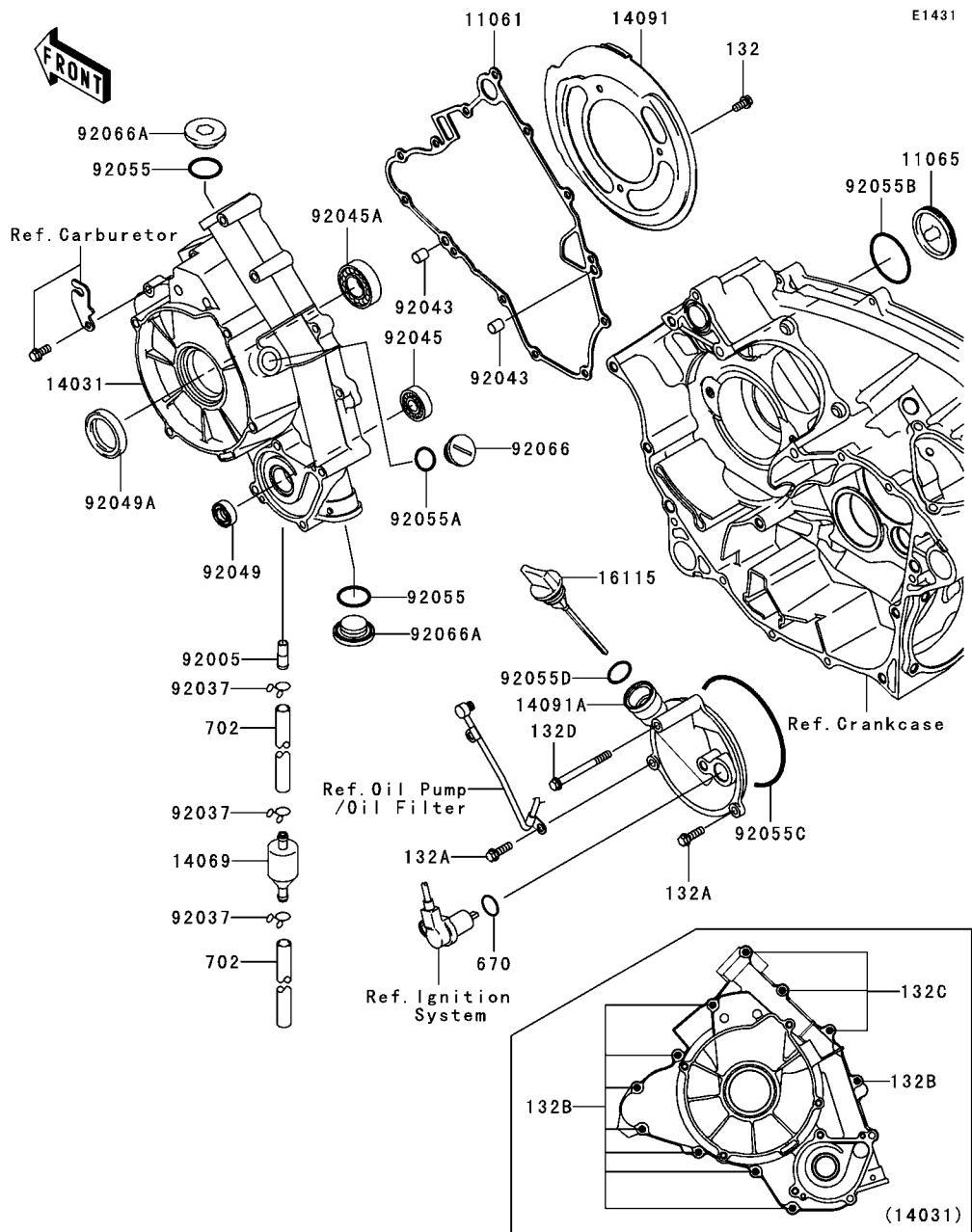
'06~'07 KVF750 A6F/A7F Engine

GRID NO.

C-7

This grid covers:

Engine Cover(s)



Ref. No.	Part No.	Description	Spec Code	Quantity-KVF750			
				'06	'07		
				A6F	A7F		
11061	11061-1119	GASKET	1	1			
11065	11065-1151	CAP	1	1			
14031	14031-0030	COVER-GENERATOR	1	1			
14069	14069-1051	BREATHER	1	1			
14091	14091-0309	COVER,BELT CONVERTER	1	1			
14091A	14091-1365	COVER	1	1			
16115	16115-1072	CAP-OIL FILLER	1	1			
92005	92005-1369	FITTING	1	1			
92037	92037-147	CLAMP,TUBE	3	3			
92043	92043-1263	PIN,6.2X8X14	2	2			
92045	92045-1246	BEARING-BALL,6901	1	1			
92045A	92045-1403	BEARING-BALL	1	1			
92049	92049-1228	SEAL-OIL,SC 12X22X5	1	1			
92049A	92049-1576	SEAL-OIL,HTC 28X45X7	1	1			
92055	92055-1136	RING-O,25.7X2.4	2	2			
92055A	92055-1146	RING-O,20X2	1	1			
92055B	92055-1279	RING-O,44.7X2.4	1	1			
92055C	92055-1632	RING-O,99.5X2.0	1	1			
92055D	92055-2185	RING-O,20X3	1	1			
92066	92066-0011	PLUG,COVER	1	1			
92066A	92066-0012	PLUG,25X8	2	2			
132	132Y0612	BOLT-FLANGED-SMALL,6X12	3	3			
132A	132Y0620	BOLT-FLANGED-SMALL,6X20	2	2			
132B	132Y0630	BOLT-FLANGED-SMALL,6X30	8	8			
132C	132Y0655	BOLT-FLANGED-SMALL,6X55	3	3			
132D	132Y0665	BOLT-FLANGED-SMALL,6X65	1	1			
670	670D2018	O RING	1	1			
702	702A07035	TUBE-RUBBER,7X10X35	2	2			

This catalog covers:

'06~'07 KVF750 A6F/A7F Engine

GRID NO.

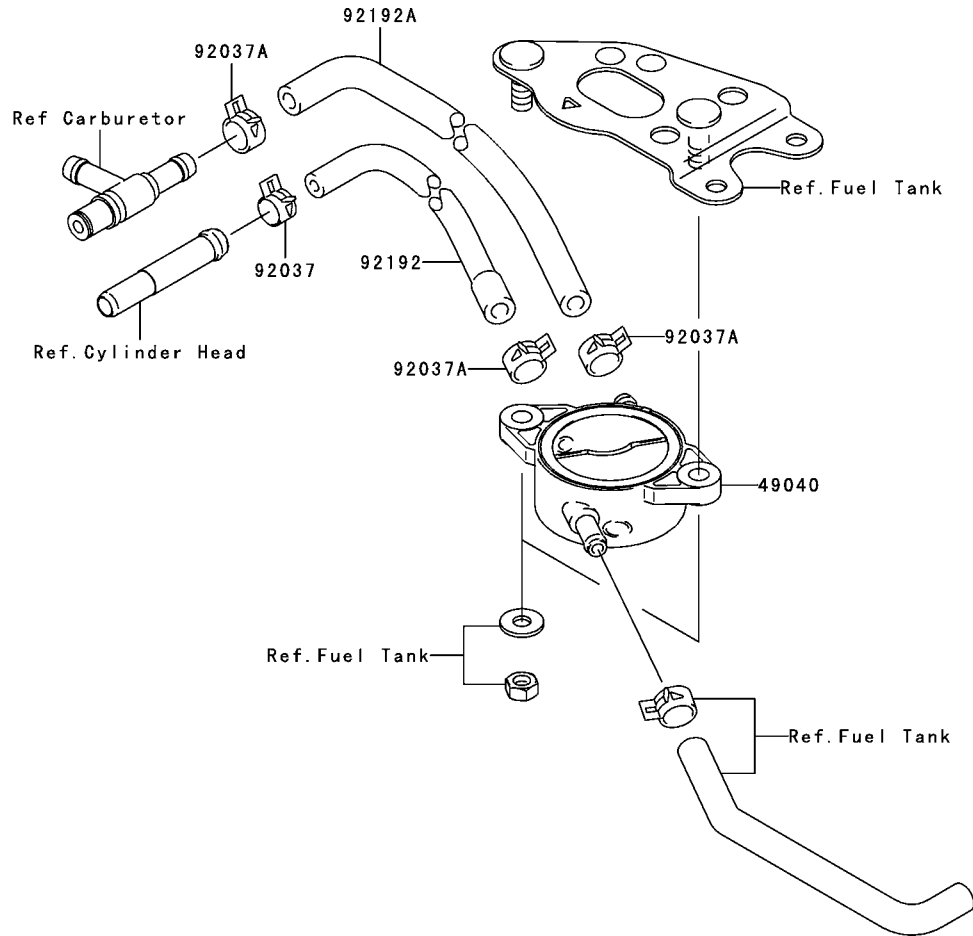
C-8

This grid covers:

Fuel Pump

E1520

Ref. No.	Part No.	Description	Spec Code	Quantity-KVF750			
				'06	'07		
				A6F	A7F		
49040	49040-0005	PUMP-FUEL		1	1		
92037	92037-1461	CLAMP,TUBE		1	1		
92037A	92037-1505	CLAMP,TUBE		3	3		
92192	92192-0060	TUBE,L=510,BLUE STRIPE		1	1		
92192A	92192-0182	TUBE,5.8X10.8X580		1	1		



This catalog covers:

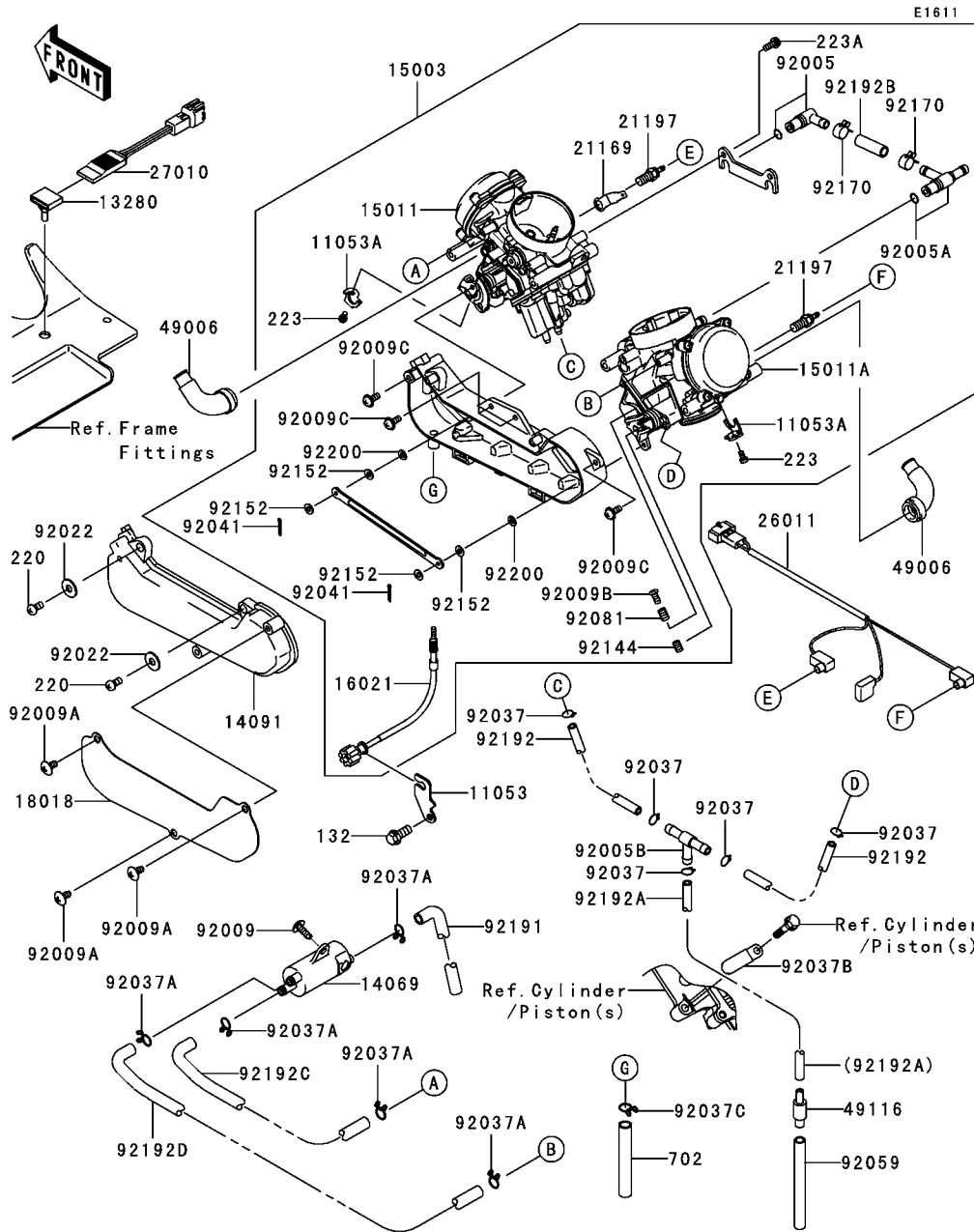
'06~'07 KVF750 A6F/A7F Engine

GRID NO.

C-9

This grid covers:

Carburetor(1/2)(A6F)



Ref. No.	Part No.	Description	Spec Code	Quantity-KVF750			
				'06	'07		
				A6F	A7F		
11053	11053-1299	BRACKET				1	
11053A	11053-1606	BRACKET				2	
13280	13280-1253	HOLDER,CARBURETOR				1	
14069	14069-0002	BREATHER				1	
14091	14091-0360	COVER				1	
15003	15003-0087	CARBURETOR-ASSY				1	
15011	15011-0088	CARBURETOR,FR				1	
15011A	15011-0089	CARBURETOR,RR				1	
16021	16021-0011	SCREW-THROTTLE STOP				1	
18018	18018-0004	PLATE-HEAT GUARD				1	
21169	21169-0001	TERMINAL				1	
21197	21197-1006	HEATER				2	
26011	26011-0030	WIRE-LEAD				1	
27010	27010-0013	SWITCH				1	
49006	49006-0028	BOOT				2	
49116	49116-1126	VALVE-ASSY				1	
92005	92005-0029	FITTING				1	
92005A	92005-0030	FITTING				1	
92005B	92005-1017	FITTING,TUBE,T-TYPE				1	
92009	92009-1113	SCREW,TAPPING				1	
92009A	92009-1480	SCREW,6X12				3	
92009B	92009-1858	SCREW,SYNCHRONIZE				1	
92009C	92009-1878	SCREW				4	
92022	92022-1380	WASHER,5.2X13X1				2	
92037	92037-010	CLAMP,TUBE				5	
92037A	92037-147	CLAMP,TUBE				5	
92037B	92037-1539	CLAMP,L=45				1	
92037C	92037-1972	CLAMP,TUBE				1	
92041	92041-1061	COTTER				2	
92059	92059-1736	TUBE,7X10X100				1	
92081	92081-1620	SPRING				1	
92144	92144-1451	SPRING				1	
92152	92152-0268	COLLAR				4	
92170	92170-1051	CLAMP,TUBE				2	
92191	92191-1531	TUBE,7X11X470				1	
92192	92192-0141	TUBE,4.5X8X120				2	
92192A	92192-0142	TUBE,4.5X8X370				1	
92192B	92192-0187	TUBE,7.3X12.5X45				1	
92192C	92192-0276	TUBE,AIR-VENT,FR				1	
92192D	92192-0277	TUBE,AIR-VENT,RR				1	

This catalog covers:

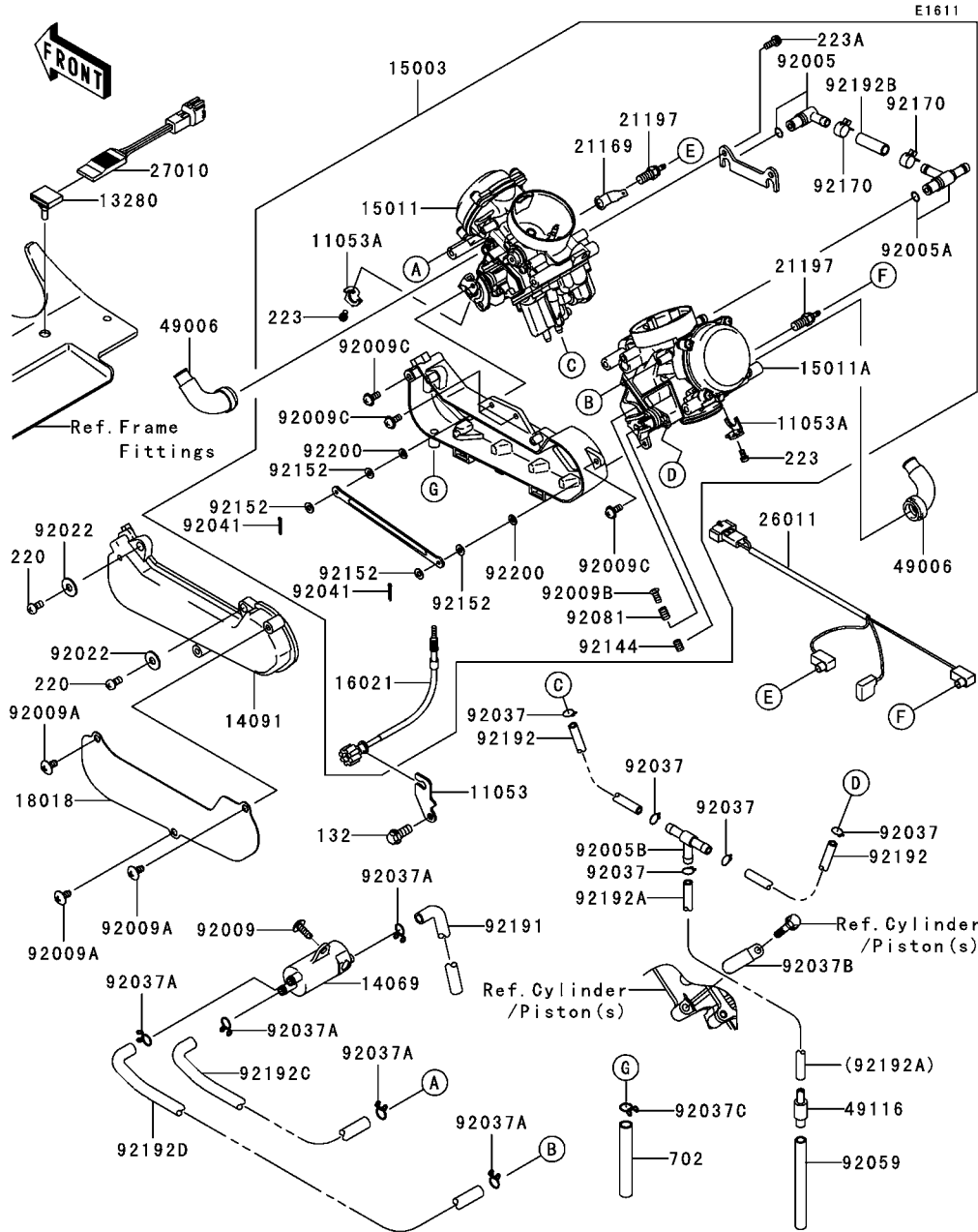
'06~'07 KVF750 A6F/A7F Engine

GRID NO.

C-10

This grid covers:

Carburetor(2/2)(A6F)



Ref. No.	Part No.	Description	Spec Code	Quantity-KVF750			
				'06	'07		
				A6F	A7F		
92200	92200-1432	WASHER, LINK ARM, PLASTIC		2			
132	132Y0614	BOLT-FLANGED-SMALL, 6X14		1			
220	220B0408	SCREW-PAN-CROS, 4X8		2			
223	223D0408	SCREW-PAN-WS-CROS, 4X8		2			
223A	223D0514	SCREW-PAN-WS-CROS, 5X14		2			
702	702A09080	TUBE-RUBBER		1			

This catalog covers:

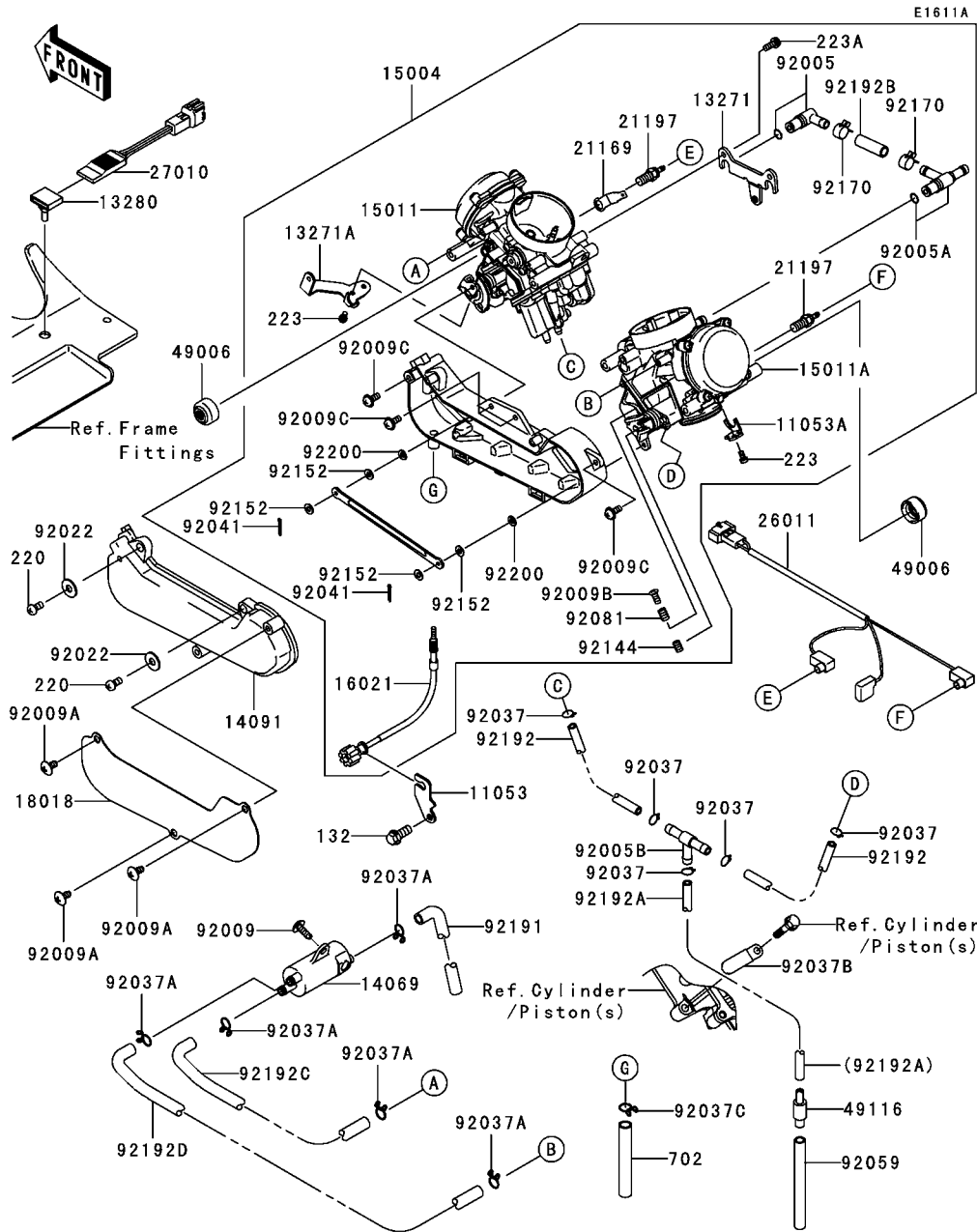
'06~'07 KVF750 A6F/A7F Engine

GRID NO.

C-11

This grid covers:

Carburetor(1/2)(A7F)



Ref. No.	Part No.	Description	Spec Code	Quantity-KVF750	
				'06	'07
				A6F	A7F
11053	11053-1299	BRACKET		1	
11053A	11053-1606	BRACKET		1	
13271	13271-0750	PLATE		1	
13271A	13271-0751	PLATE		1	
13280	13280-1253	HOLDER,CARBURETOR		1	
14069	14069-0002	BREATHER		1	
14091	14091-0360	COVER		1	
15004	15004-0007	CARBURETOR-ASSY,CVKR34		1	
15011	15011-0088	CARBURETOR,FR		1	
15011A	15011-0089	CARBURETOR,RR		1	
16021	16021-0011	SCREW-THROTTLE STOP		1	
18018	18018-0004	PLATE-HEAT GUARD		1	
21169	21169-0001	TERMINAL		1	
21197	21197-1006	HEATER		2	
26011	26011-0030	WIRE-LEAD		1	
27010	27010-0013	SWITCH		1	
49006	49006-1353	BOOT,STARTER CABLE		2	
49116	49116-1126	VALVE-ASSY		1	
92005	92005-0029	FITTING		1	
92005A	92005-0030	FITTING		1	
92005B	92005-1017	FITTING,TUBE,T-TYPE		1	
92009	92009-1113	SCREW,TAPPING		1	
92009A	92009-1480	SCREW,6X12		3	
92009B	92009-1858	SCREW,SYNCHRONIZE		1	
92009C	92009-1878	SCREW		4	
92022	92022-1380	WASHER,5.2X13X1		2	
92037	92037-010	CLAMP,TUBE		5	
92037A	92037-147	CLAMP,TUBE		5	
92037B	92037-1539	CLAMP,L=45		1	
92037C	92037-1972	CLAMP,TUBE		1	
92041	92041-1061	COTTER		2	
92059	92059-1736	TUBE,7X10X100		1	
92081	92081-1620	SPRING		1	
92144	92144-1451	SPRING		1	
92152	92152-0268	COLLAR		4	
92170	92170-1051	CLAMP,TUBE		2	
92191	92191-1531	TUBE,7X11X470		1	
92192	92192-0141	TUBE,4.5X8X120		2	
92192A	92192-0142	TUBE,4.5X8X370		1	
92192B	92192-0187	TUBE,7.3X12.5X45		1	

This catalog covers:

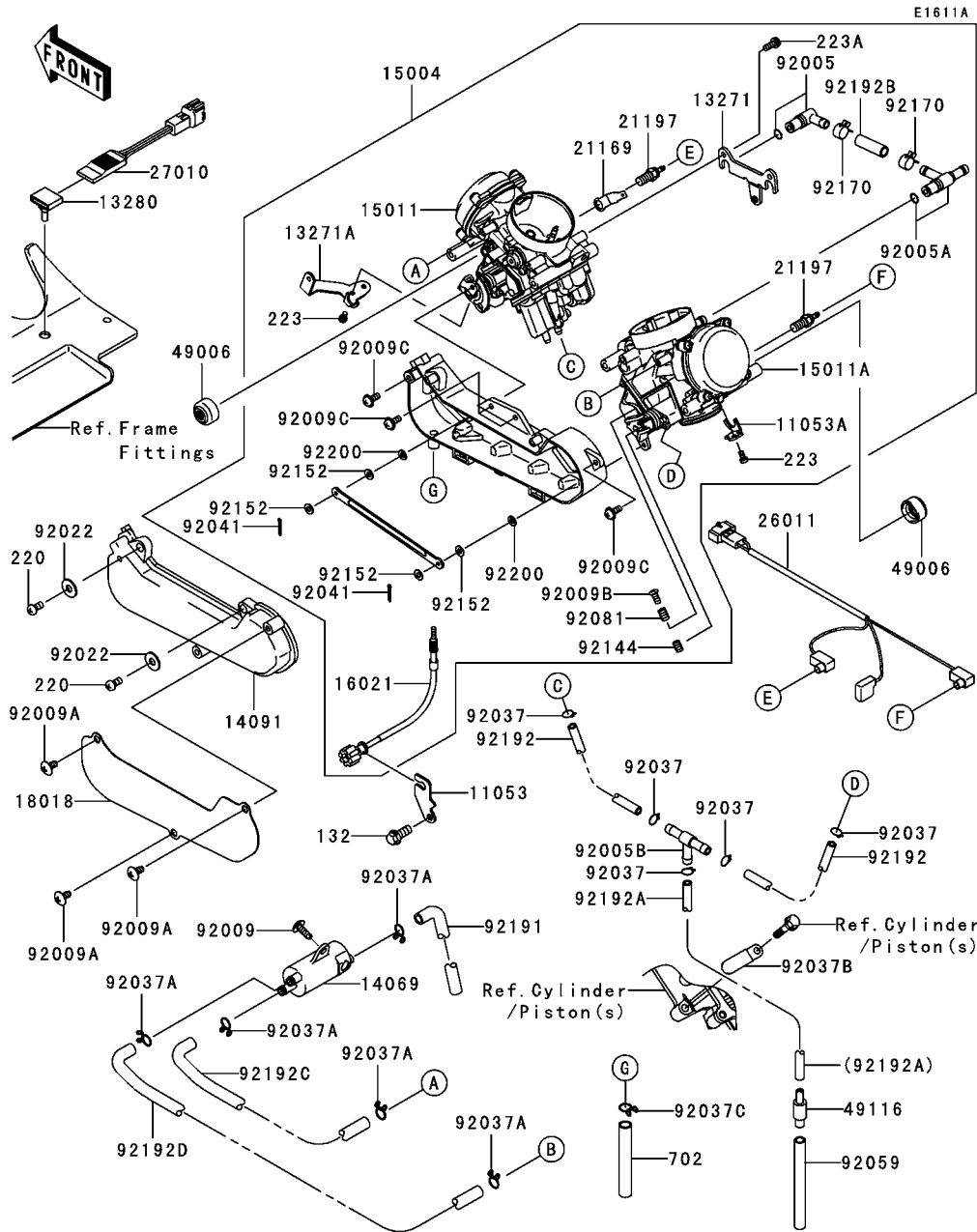
'06~'07 KVF750 A6F/A7F Engine

GRID NO.

C-12

This grid covers:

Carburetor(2/2)(A7F)



Ref. No.	Part No.	Description	Spec Code	Quantity-KVF750			
				'06	'07		
				A6F	A7F		
92192C	92192-0276	TUBE,AIR-VENT,FR				1	
92192D	92192-0277	TUBE,AIR-VENT,RR				1	
92200	92200-1432	WASHER,LINK ARM,PLASTIC				2	
132	132Y0614	BOLT-FLANGED-SMALL,6X14				1	
220	220B0408	SCREW-PAN-CROS,4X8				2	
223	223D0408	SCREW-PAN-WS-CROS,4X8				2	
223A	223D0514	SCREW-PAN-WS-CROS,5X14				2	
702	702A09080	TUBE-RUBBER				1	

This catalog covers:

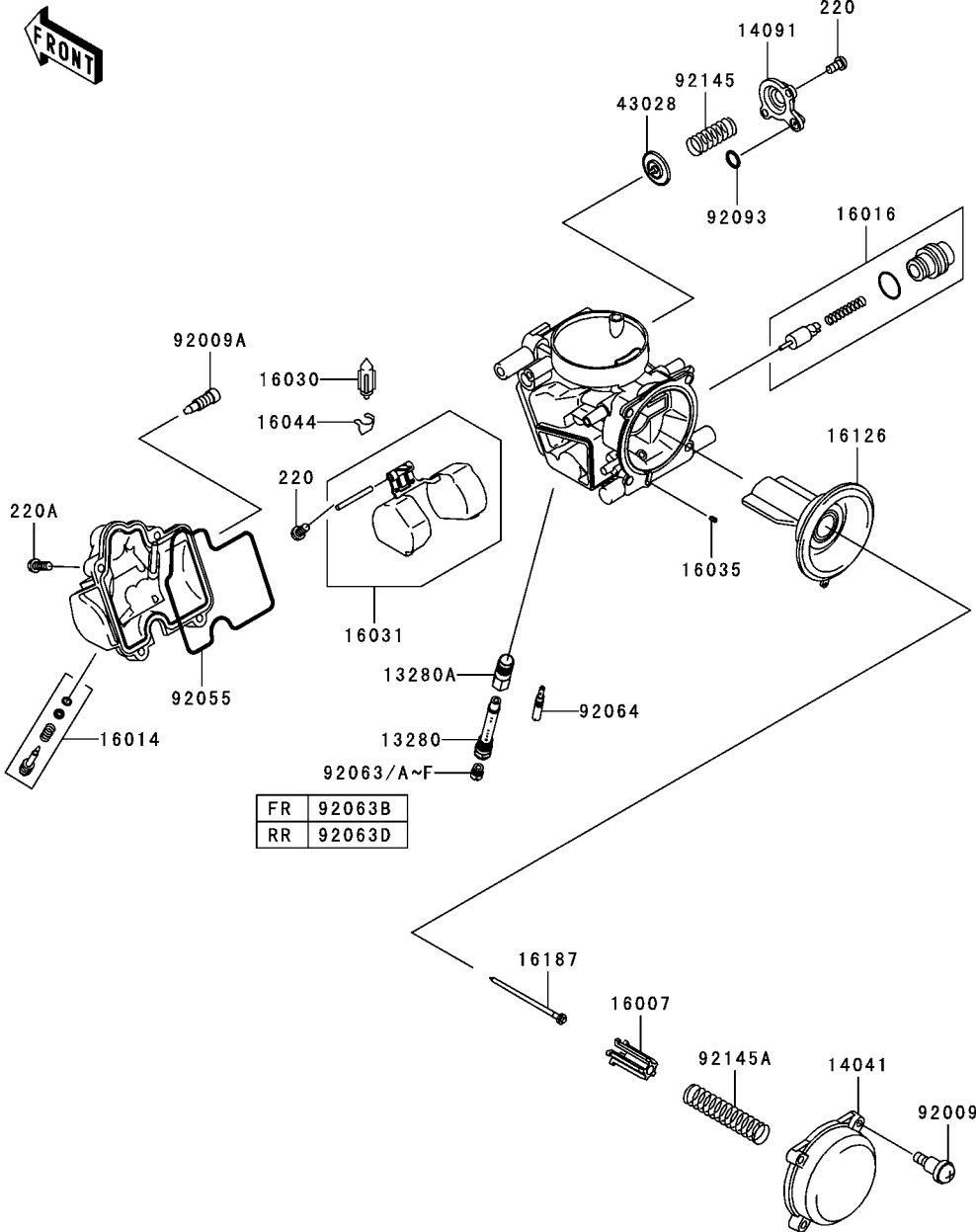
'06~'07 KVF750 A6F/A7F Engine

GRID NO.

C-13

This grid covers:

Carburetor Parts



E1612

Ref. No.	Part No.	Description	Spec Code	Quantity-KVF750			
				'06	'07		
				A6F	A7F		
13280	13280-0115	HOLDER		2	2		
13280A	13280-1096	HOLDER, JET		2	2		
14041	14041-1091	CAP-CHAMBER, MIXING		2	2		
14091	14091-1246	COVER, AIR CUT VALVE		2	2		
16007	16007-1117	SEAT-SPRING, VALVE		2	2		
16014	16014-0009	SCREW-PILOT AIR		2	2		
16016	16016-1117	PLUNGER		2	2		
16030	16030-1007	VALVE-FLOAT		2	2		
16031	16031-1097	FLOAT		2	2		
16035	16035-1055	JET-AIR, LEAK		2	2		
16044	16044-007	CLAMP, FLOAT VALVE		2	2		
16126	16126-0015	VALVE		2	2		
16187	16187-0156	NEEDLE-JET, NFKL		2	2		
43028	43028-1085	DIAPHRAGM, AIR CUT VALVE		2	2		
92009	92009-1549	SCREW, 4X4.4		8	8		
92009A	92009-1551	SCREW, DRAIN, 6X0.75		2	2		
92055	92055-1589	RING-O, FLOAT CHAMBER		2	2		
92063	92063-1324	JET-MAIN, #148		AR	AR		
	(OPTION)						
92063A	92063-1330	JET-MAIN, #150		AR	AR		
	(OPTION)						
92063B	92063-1331	JET-MAIN, #152		1	1		
92063C	92063-1332	JET-MAIN, #155		AR	AR		
	(OPTION)						
92063D	92063-1344	JET-MAIN, #158		1	1		
92063E	92063-1345	JET-MAIN, #160		AR	AR		
	(OPTION)						
92063F	92063-1346	JET-MAIN, #162		AR	AR		
	(OPTION)						
92064	92064-0011	JET-PILOT, #38		2	2		
92093	92093-1046	SEAL, "U"RING		2	2		
92145	92145-0097	SPRING, AIR CUT VALVE		2	2		
92145A	92145-0267	SPRING		2	2		
220	220D0408	SCREW-PAN-CROS, 4X8		6	6		
220A	220D0414	SCREW-PAN-CROS, 4X14		8	8		

This catalog covers:

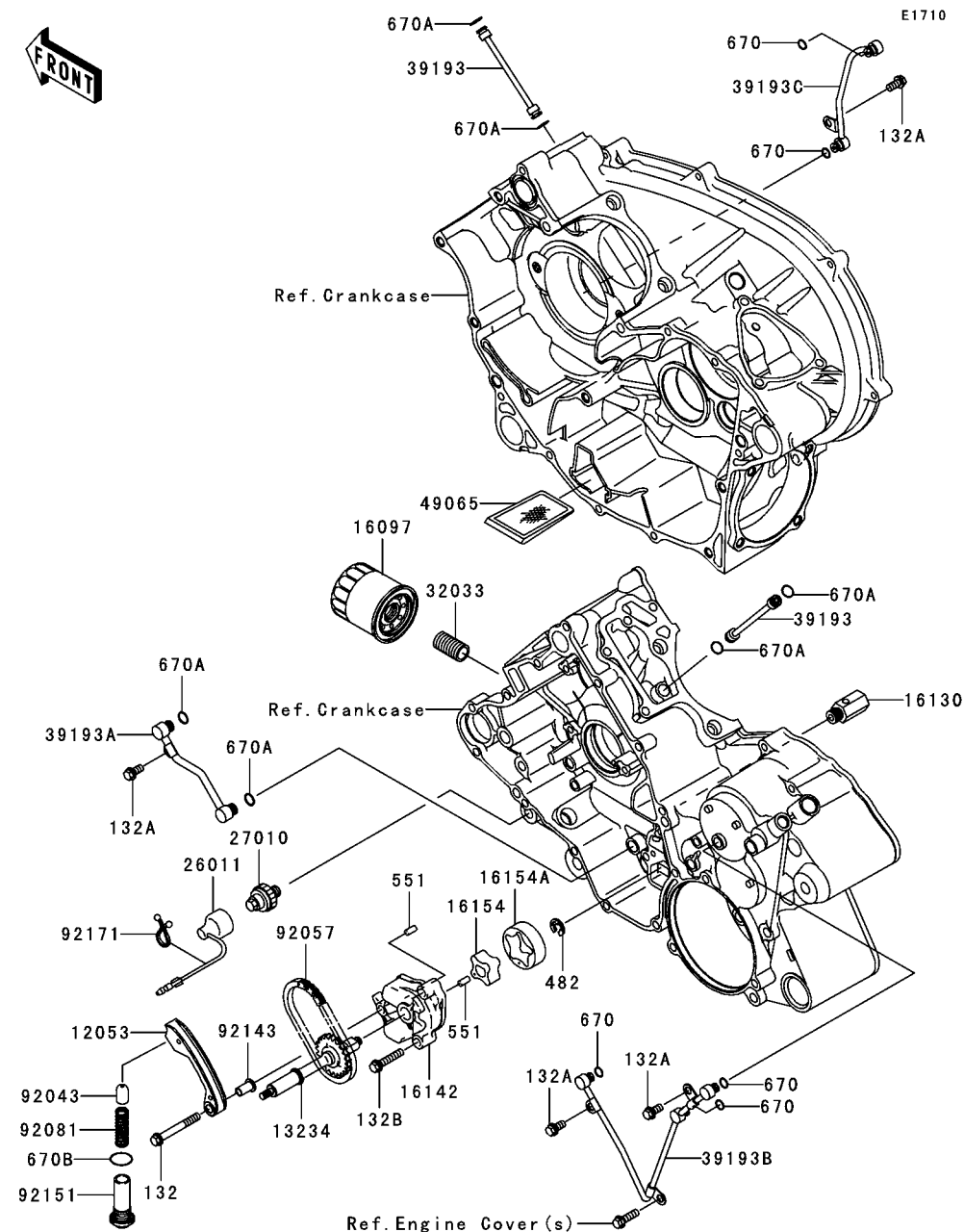
'06~'07 KVF750 A6F/A7F Engine

GRID NO.

C-14

This grid covers:

Oil Pump



Ref. No.	Part No.	Description	Spec Code	Quantity-KVF750			
				'06	'07		
				A6F	A7F		
12053	12053-1440	GUIDE-CHAIN,SLACK	1	1			
13234	13234-1112	SHAFT-COMP,OIL PUMP	1	1			
16097	16097-1072	FILTER-ASSY-OIL	1	1			
16130	16130-1058	VALVE-ASSY-RELIEF	1	1			
16142	16142-1162	COVER-PUMP	1	1			
16154	16154-2059	ROTOR-PUMP,INNER	1	1			
16154A	16154-2060	ROTOR-PUMP,OUTER	1	1			
26011	26011-1755	WIRE-LEAD	1	1			
27010	27010-1313	SWITCH,OIL PRESSURE	1	1			
32033	32033-1535	PIPE,OIL FILTER	1	1			
39193	39193-0015	PIPE-OIL,CRANKCASE-HEAD	2	2			
39193A	39193-1052	PIPE-OIL,CRANKSHAFT	1	1			
39193B	39193-1053	PIPE-OIL,CRANKCASE,LH	1	1			
39193C	39193-1054	PIPE-OIL,CRANKCASE,RH	1	1			
49065	49065-1086	FILTER-OIL	1	1			
92043	92043-076	PIN	1	1			
92057	92057-0075	CHAIN,DID SCR-0409 SDH	1	1			
92081	92081-112	SPRING	1	1			
92143	92143-1857	COLLAR	1	1			
92151	92151-1781	BOLT,16X41	1	1			
92171	92171-1329	CLAMP	1	1			
132	132J0650	BOLT-FLANGED-SMALL,6X50	1	1			
132A	132Y0612	BOLT-FLANGED-SMALL,6X12	4	4			
132B	132Y0630	BOLT-FLANGED-SMALL,6X30	2	2			
482	482J6000	CIRCLIP-TYPE-E,6MM	1	1			
551	551A0408	PIN-DOWEL,4X8	2	2			
670	670D1505	O RING	5	5			
670A	670D1507	O RING,7MM	6	6			
670B	670D2016	O RING,16MM	1	1			

This catalog covers:

'06~'07 KVF750 A6F/A7F Engine

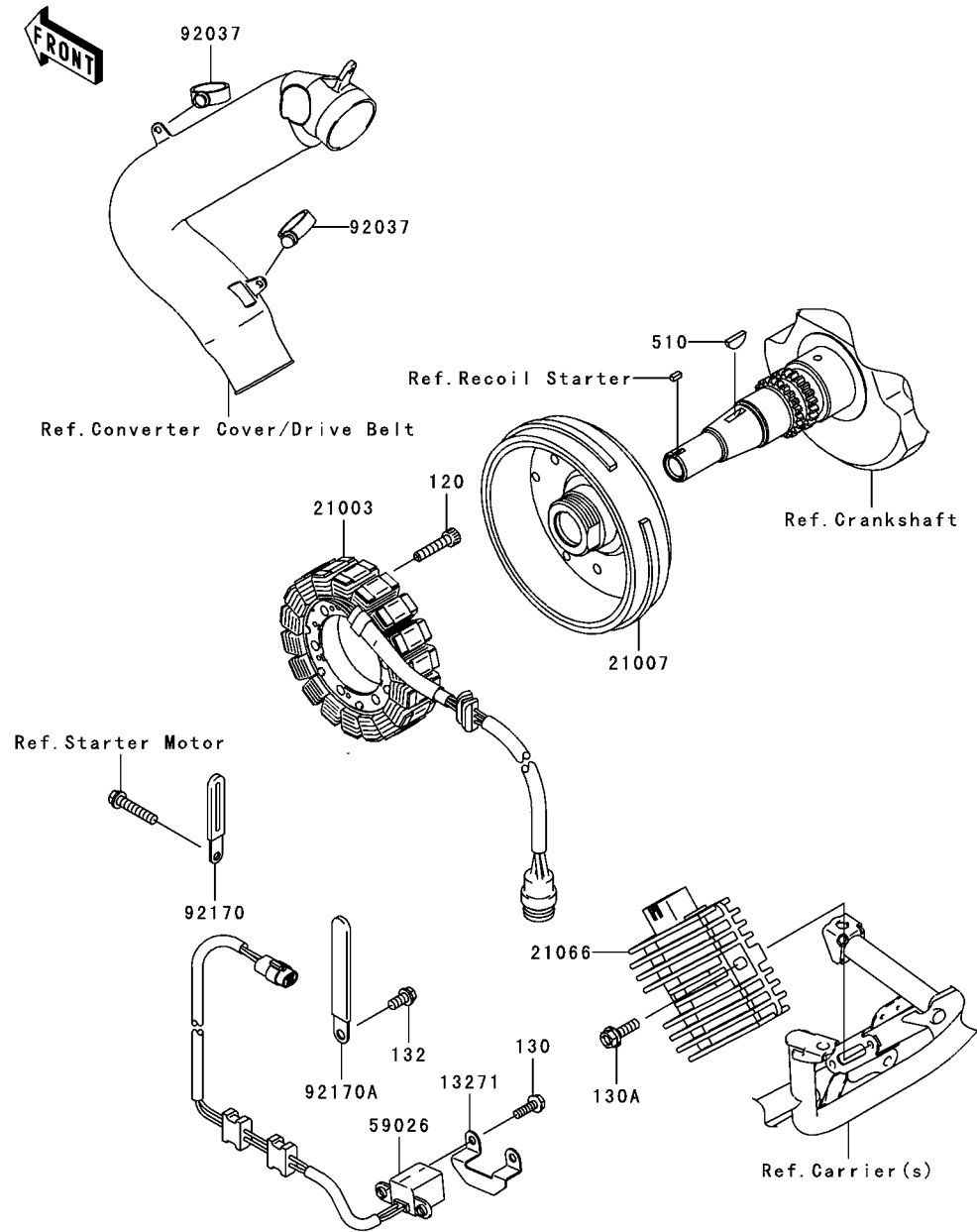
GRID NO.

D-3

This grid covers:

Generator

E1810



Ref. No.	Part No.	Description	Quantity-KVF750			
			'06	'07		
			A6F	A7F		
13271	13271-1369	PLATE	1	1		
21003	21003-0012	STATOR	1	1		
21007	21007-0013	ROTOR	1	1		
21066	21066-1127	REGULATOR-VOLTAGE	1	1		
59026	59026-0005	COIL-PULSING	1	1		
92037	92037-1827	CLAMP,HOSE	2	2		
92170	92170-1514	CLAMP	1	1		
92170A	92170-1925	CLAMP	1	1		
120	120P0628	BOLT-SOCKET,6X28	3	3		
130	130G0516	BOLT-FLANGED,5X16	2	2		
130A	130J0620	BOLT-FLANGED,6X20	2	2		
132	132Y0612	BOLT-FLANGED-SMALL,6X12	1	1		
510	510A4200	KEY-WOODRUFF	1	1		

This catalog covers:

'06~'07 KVF750 A6F/A7F Engine

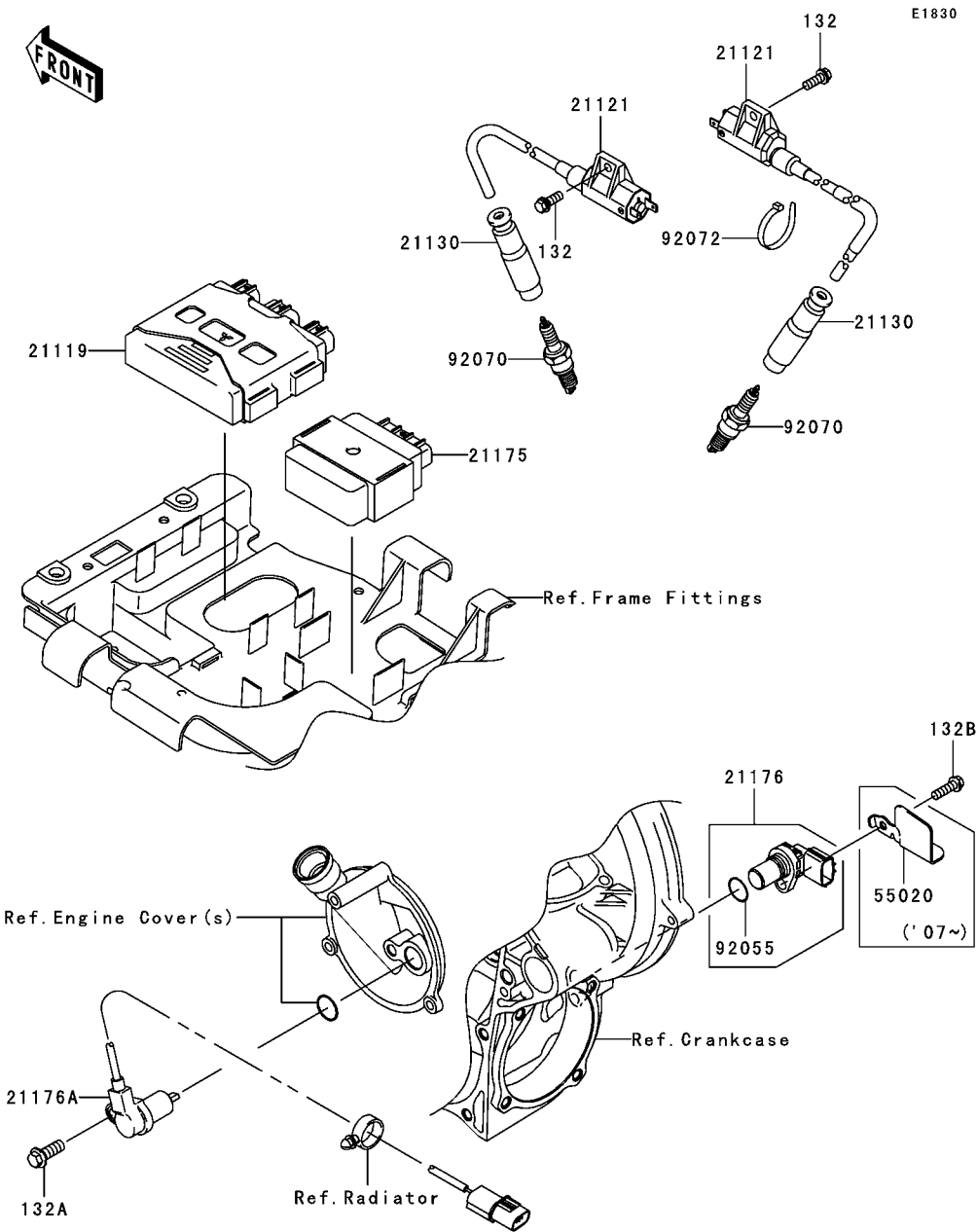
GRID NO.

D-4

This grid covers:

Ignition System

E1830



Ref. No.	Part No.	Description	Spec Code	Quantity-KVF750			
				'06	'07		
				A6F	A7F		
21119	21119-0065	IGNITER		1	1		
21121	21121-0018	COIL-IGNITION		2	2		
21130	21130-1071	CAP-SPARK PLUG		2	2		
21175	21175-0086	CONTROL UNIT-ELECTRONIC		1	1		
21176	21176-1104	SENSOR,SPEED		1	1		
21176A	21176-1109	SENSOR,REVERSE		1	1		
55020	55020-0247	GUARD			1		
92055	92055-1718	RING-O		1	1		
92070	92070-1209	PLUG-SPARK,CR7E(NGK)		AR	AR		
92072	92072-1239	BAND,L=188		1	1		
132	132H0616	BOLT-FLANGED-SMALL,6X16		2	2		
132A	132H0822	BOLT-FLANGED-SMALL,8X22		1	1		
132B	132Y0620	BOLT-FLANGED-SMALL,6X20		1	1		

This catalog covers:

'06~'07 KVF750 A6F/A7F Engine

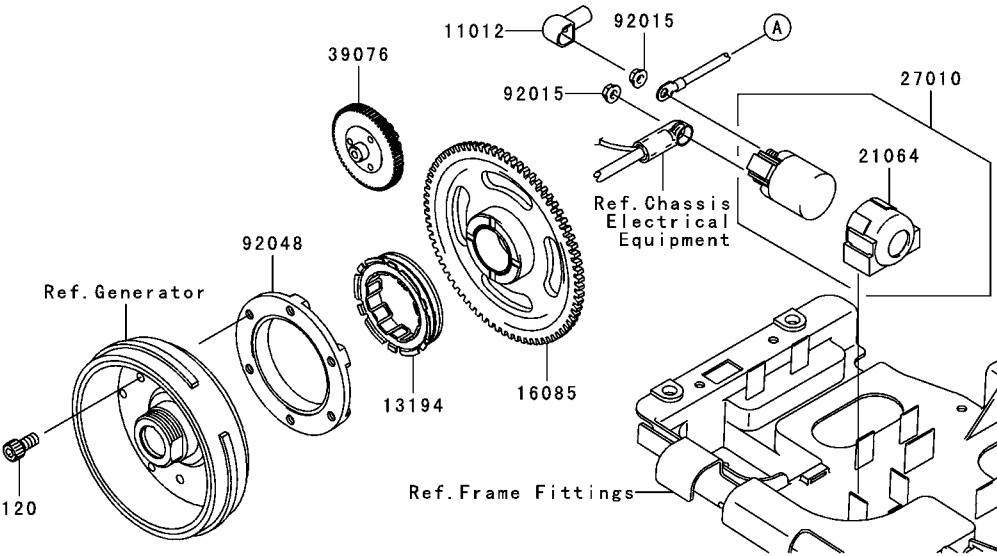
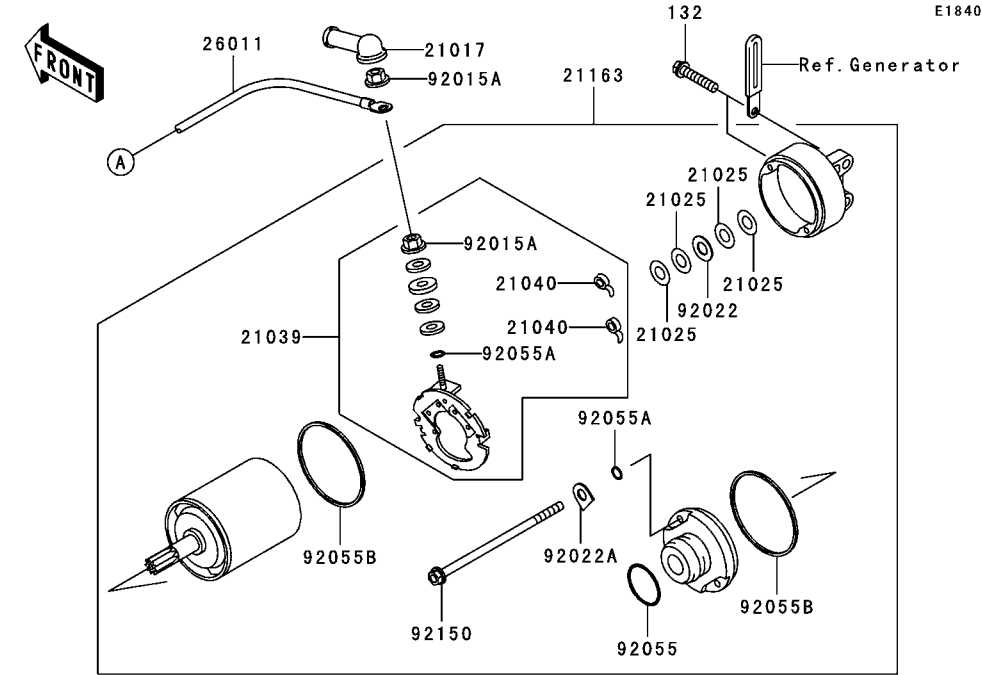
GRID NO.

D-5

This grid covers:

Starter Motor(A6F)

E1840



Ref. No.	Part No.	Description	Spec Code	Quantity-KVF750			
				'06	'07		
				A6F	A7F		
11012	11012-1354	CAP,TERMINAL				1	
13194	13194-1094	CLUTCH-ONEWAY				1	
16085	16085-1238	GEAR,STARTER				1	
21017	21017-017	GROMMET,STARTER TERMINAL				1	
21025	21025-011	WASHER,9.1X18X0.2				4	
21039	21039-1063	BRUSH,CARBON				1	
21040	21040-1057	SPRING-BRUSH				2	
21064	21064-002	DAMPER,MAGNETIC SWITCH				1	
21163	21163-1320	STARTER-ELECTRIC				1	
26011	26011-0021	WIRE-LEAD				1	
27010	27010-1098	SWITCH,MAGNETIC				1	
39076	39076-0005	LIMITER,STARTER				1	
92015	92015-1193	NUT,FLANGED,6MM				2	
92015A	92015-1476	NUT,STARTER MOTOR				2	
92022	92022-1132	WASHER,9.1X18X0.8				1	
92022A	92022-1458	WASHER,LOCK,T=2.0				2	
92048	92048-0002	RACE,ONE WAY CLUTCH				1	
92055	92055-1276	RING-O				1	
92055A	92055-1370	RING-O,4.5X2.0				3	
92055B	92055-1381	RING-O,STARTER MOTOR				2	
92150	92150-1243	BOLT				2	
120	120P0816	BOLT-SOCKET,8X16				6	
132	132Y0630	BOLT-FLANGED-SMALL,6X30				2	

This catalog covers:

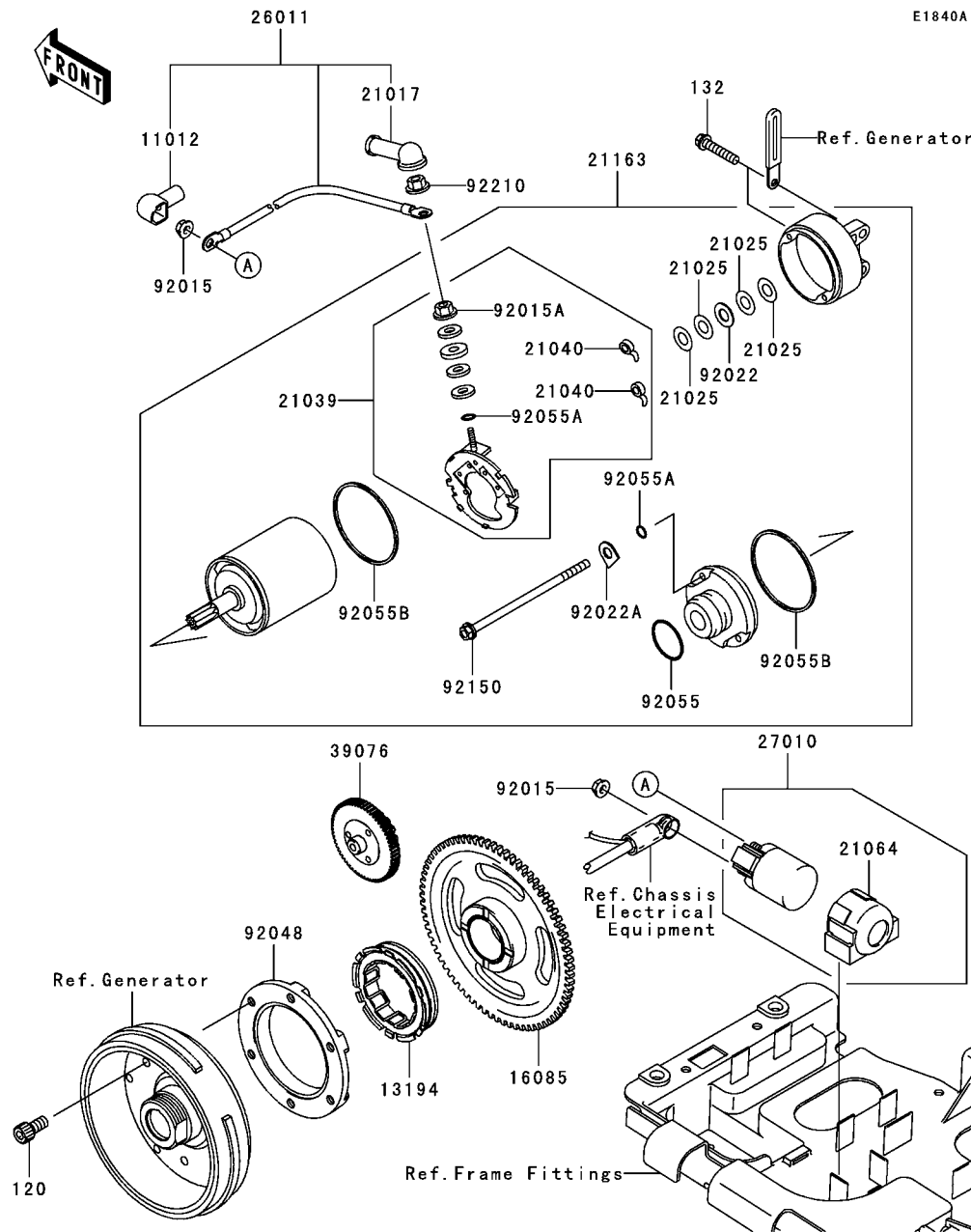
'06~'07 KVF750 A6F/A7F Engine

GRID NO.

D-6

This grid covers:

Starter Motor(A7F)



E1840A

Ref. No.	Part No.	Description	Spec Code	Quantity-KVF750			
				'06	'07		
				A6F	A7F		
11012	11012-1354	CAP,TERMINAL				1	
13194	13194-1094	CLUTCH-ONEWAY				1	
16085	16085-1238	GEAR,STARTER				1	
21017	21017-017	GROMMET,STARTER TERMINAL				1	
21025	21025-011	WASHER,9.1X18X0.2				4	
21039	21039-1063	BRUSH,CARBON				1	
21040	21040-1057	SPRING-BRUSH				2	
21064	21064-002	DAMPER,MAGNETIC SWITCH				1	
21163	21163-1320	STARTER-ELECTRIC				1	
26011	26011-0111	WIRE-LEAD,STARTER CABLE				1	
27010	27010-1098	SWITCH,MAGNETIC				1	
39076	39076-0005	LIMITER,STARTER				1	
92015	92015-1193	NUT,FLANGED,6MM				2	
92015A	92015-1476	NUT,STARTER MOTOR				1	
92022	92022-1132	WASHER,9.1X18X0.8				1	
92022A	92022-1458	WASHER,LOCK,T=2.0				2	
92048	92048-0002	RACE,ONE WAY CLUTCH				1	
92055	92055-1276	RING-O				1	
92055A	92055-1370	RING-O,4.5X2.0				3	
92055B	92055-1381	RING-O,STARTER MOTOR				2	
92150	92150-1243	BOLT				2	
92210	92210-0188	NUT,6MM				1	
120	120P0816	BOLT-SOCKET,8X16				6	
132	132Y0630	BOLT-FLANGED-SMALL,6X30				2	

This catalog covers:

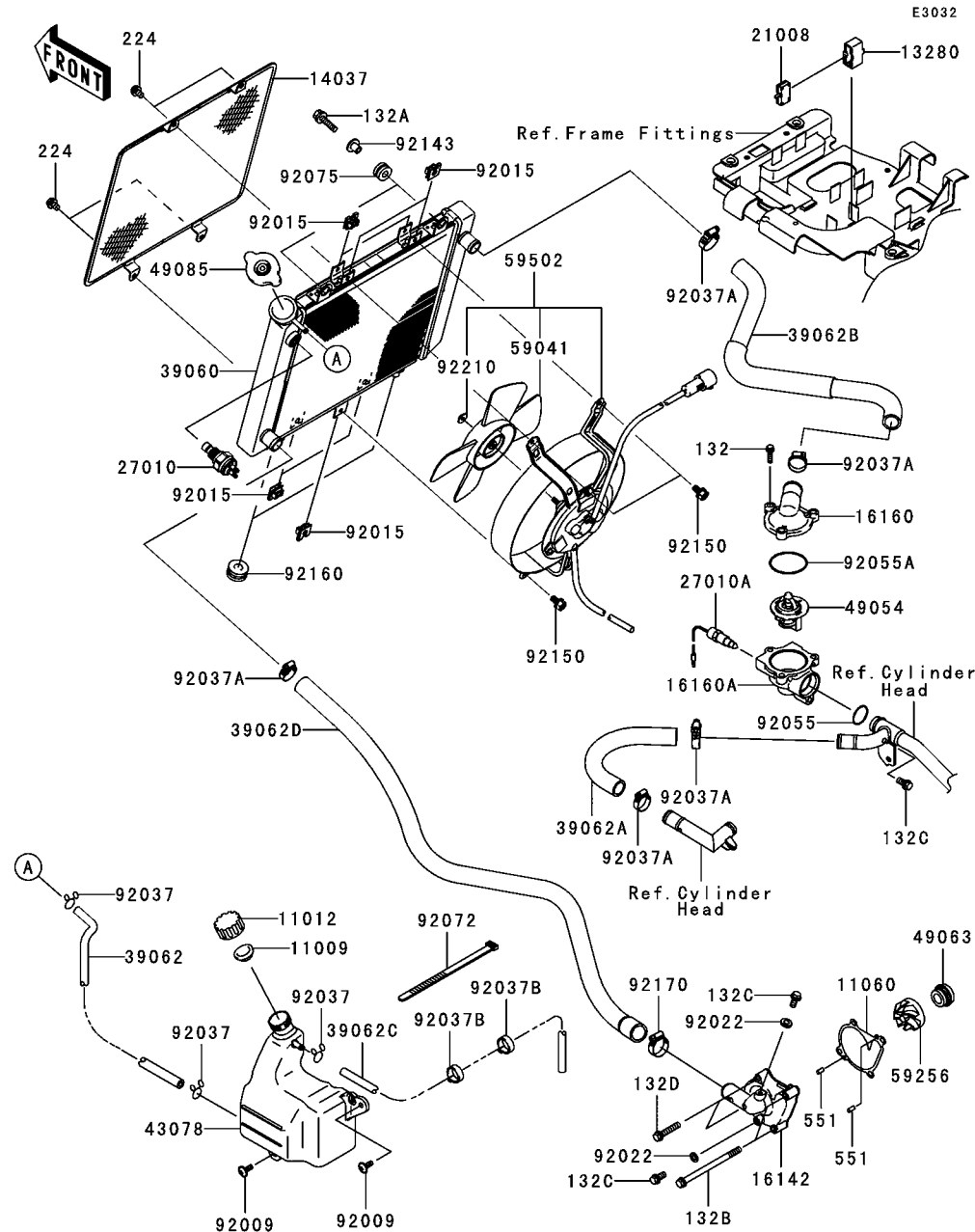
'06~'07 KVF750 A6F/A7F Engine

GRID NO.

D-7

This grid covers:

Radiator(1/2)



Ref. No.	Part No.	Description	Spec Code	Quantity-KVF750	
				'06	'07
				A6F	A7F
11009	11009-1145	GASKET,RESERVOIR TANK CAP		1	1
11012	11012-1084	CAP		1	1
11060	11060-1964	GASKET,WATER PUMP		1	1
13280	13280-0082	HOLDER,BREAKER		1	1
14037	14037-0045	SCREEN		1	1
16142	16142-0002	COVER-PUMP,WATER		1	1
16160	16160-0046	BODY,THERMOSTAT,UPP		1	1
16160A	16160-0067	BODY,THERMOSTAT,LWR		1	1
21008	21008-0001	BREAKER,FAN MOTOR		1	1
27010	27010-1202	SWITCH,FAN		1	1
27010A	27010-1346	SWITCH,SENSOR WATER		1	1
39060	39060-0016	RADIATOR		1	1
39062	39062-0034	HOSE-COOLING,5.5X10.5X1200		1	1
39062A	39062-0035	HOSE-COOLING,FR HEAD-THERMO		1	1
39062B	39062-0036	HOSE-COOLING,THERMO-RADIATOR		1	1
39062C	39062-0056	HOSE-COOLING,5.5X10.5X890		1	1
39062D	39062-0075	HOSE-COOLING,RAD-WATER PUMP		1	1
43078	43078-0024	RESERVOIR		1	1
49054	49054-1055	THERMOSTAT		1	1
49063	49063-1055	SEAL-MECHANICAL,WATER		1	1
49085	49085-1066	CAP-ASSY-PRESSURE		1	1
59041	59041-0002	FAN		1	1
59256	59256-1069	IMPELLER		1	1
59502	59502-0011	FAN-ASSY		1	1
92009	92009-1694	SCREW,6X16		2	2
92015	92015-1487	NUT		7	7
92022	92022-304	WASHER,6.2X11X1		2	2
92037	92037-147	CLAMP,TUBE		3	3
92037A	92037-1589	CLAMP,COOLING HOSE		5	5
92037B	92037-1827	CLAMP,HOSE		2	2
92055	92055-1081	RING-O,22.1X2.4		1	1
92055A	92055-1279	RING-O,44.7X2.4		1	1
92072	92072-030	BAND,L=123		1	1
92075	92075-209	DAMPER		2	2
92143	92143-1353	COLLAR		2	2
92150	92150-1186	BOLT,6X12		3	3
92160	92160-1007	DAMPER		2	2
92170	92170-1497	CLAMP		1	1
92210	92210-0335	NUT		1	1
132	132E0620	BOLT-FLANGED-SMALL,6X20		3	3

This catalog covers:

'06~'07 KVF750 A6F/A7F Engine

GRID NO.

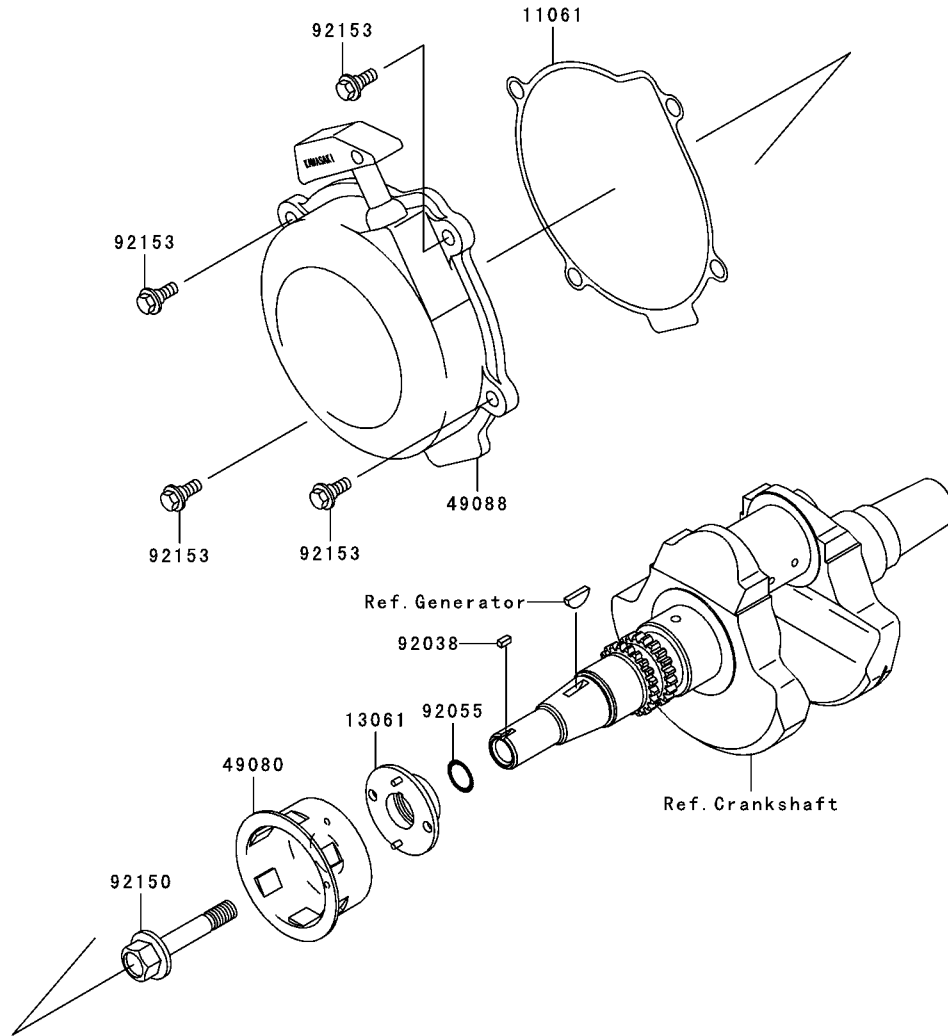
D-9

This grid covers:

Recoil Starter

E3040

Ref. No.	Part No.	Description	Spec Code	Quantity-KVF750			
				'06	'07		
				A6F	A7F		
11061	11061-1153	GASKET,RECOIL STARTER	1	1			
13061	13061-1873	BOSS	1	1			
49080	49080-1061	PULLEY-STARTING	1	1			
49088	49088-1058	STARTER-RECOIL	1	1			
92038	92038-1051	KEY,SUNK	1	1			
92055	92055-1215	RING-O,19.8X2.2	1	1			
92150	92150-1987	BOLT,12X65	1	1			
92153	92153-7007	BOLT,FLANGED,6X16	4	4			



This catalog covers:

'06~'07 KVF750 A6F/A7F Engine

GRID NO.

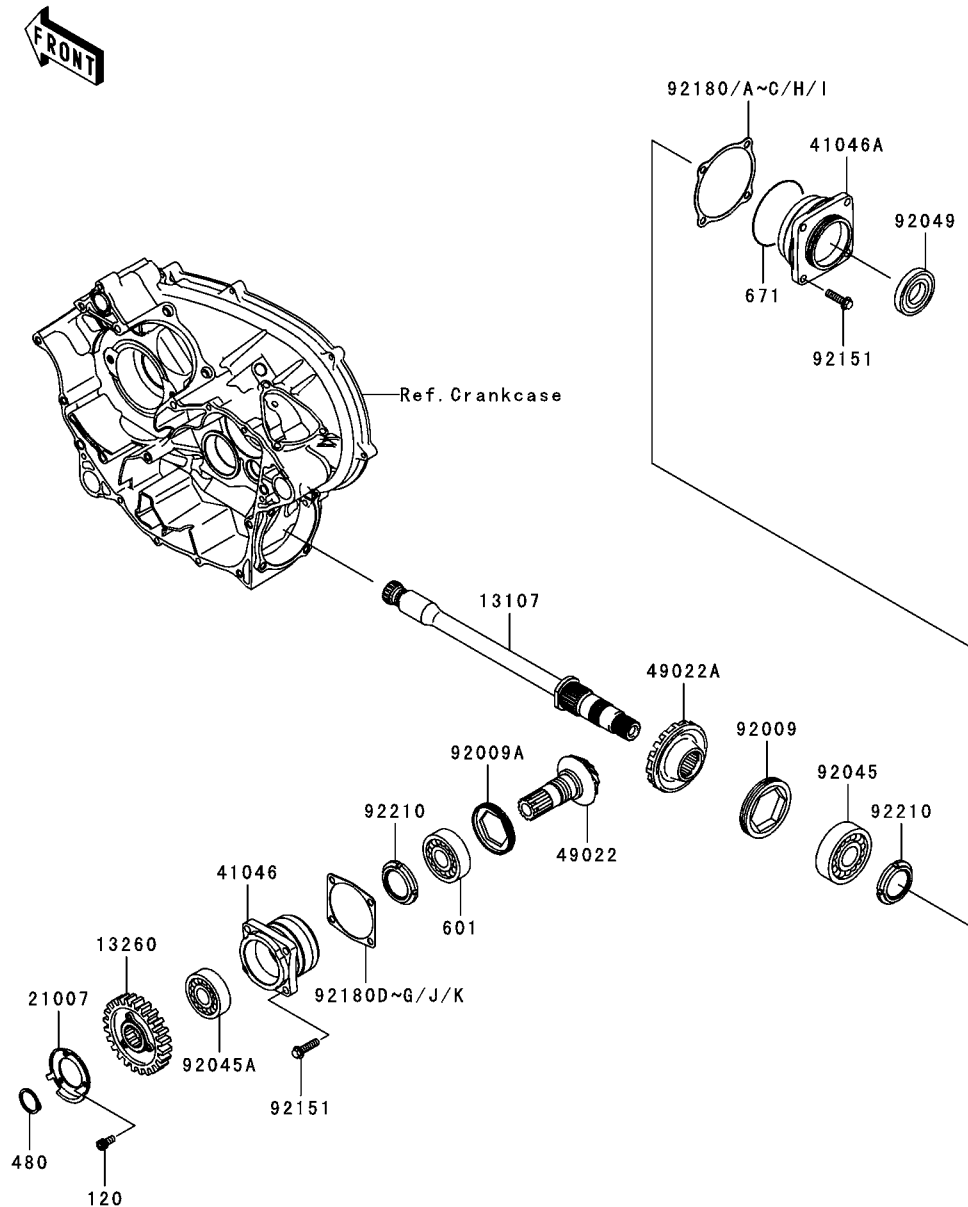
D-10

This grid covers:

Front Bevel Gear

E3131

Ref. No.	Part No.	Description	Spec Code	Quantity-KVF750			
				'06	'07		
				A6F	A7F		



13107	13107-0114	SHAFT, F/R OUTPUT		1	1
13260	13260-1922	GEAR, OUTPUT 29T		1	1
21007	21007-1416	ROTOR, REVERSE SENSOR		1	1
41046	41046-1101	HOUSING-BEARING		1	1
41046A	41046-1102	HOUSING-BEARING		1	1
49022	49022-0010	GEAR-BEVEL, DRIVE, 12T		1	1
49022A	49022-0011	GEAR-BEVEL, DRIVEN, 20T		1	1
92009	92009-1667	SCREW-SET-SOCKET, 75X10		1	1
92009A	92009-1914	SCREW, 64MM		1	1
92045	92045-1190	BEARING-BALL, 6306SH2		1	1
92045A	92045-1207	BEARING-BALL, 62/28		1	1
92049	92049-1529	SEAL-OIL		1	1
92151	92151-1688	BOLT-FLANGED-SMALL, 8X30		8	8
92180	92180-1307	SHIM, DRIVEN, T=0.15		AR	AR
92180A	92180-1308	SHIM, DRIVEN, T=0.20		AR	AR
92180B	92180-1309	SHIM, DRIVEN, T=0.50		AR	AR
92180C	92180-1310	SHIM, DRIVEN, T=0.80		AR	AR
92180D	92180-1311	SHIM, DRIVE, T=0.15		AR	AR
92180E	92180-1312	SHIM, DRIVE, T=0.20		AR	AR
92180F	92180-1313	SHIM, DRIVE, T=0.50		AR	AR
92180G	92180-1314	SHIM, DRIVE, T=0.80		AR	AR
92180H	92180-1349	SHIM, DRIVEN, T=1.00		AR	AR
92180I	92180-1350	SHIM, DRIVEN, T=1.20		AR	AR
92180J	92180-1351	SHIM, DRIVE, T=1.00		AR	AR
92180K	92180-1352	SHIM, DRIVE, T=1.20		AR	AR
92210	92210-1294	NUT, 30MM		2	2
120	120P0612	BOLT-SOCKET, 6X12		3	3
480	480J2800	CIRCLIP-TYPE-C, 28MM		1	1
601	601B6206	BEARING-BALL, #6206C3		1	1
671	671D2585	O RING		1	1

This catalog covers:

'06~'07 KVF750 A6F/A7F Engine

GRID NO.

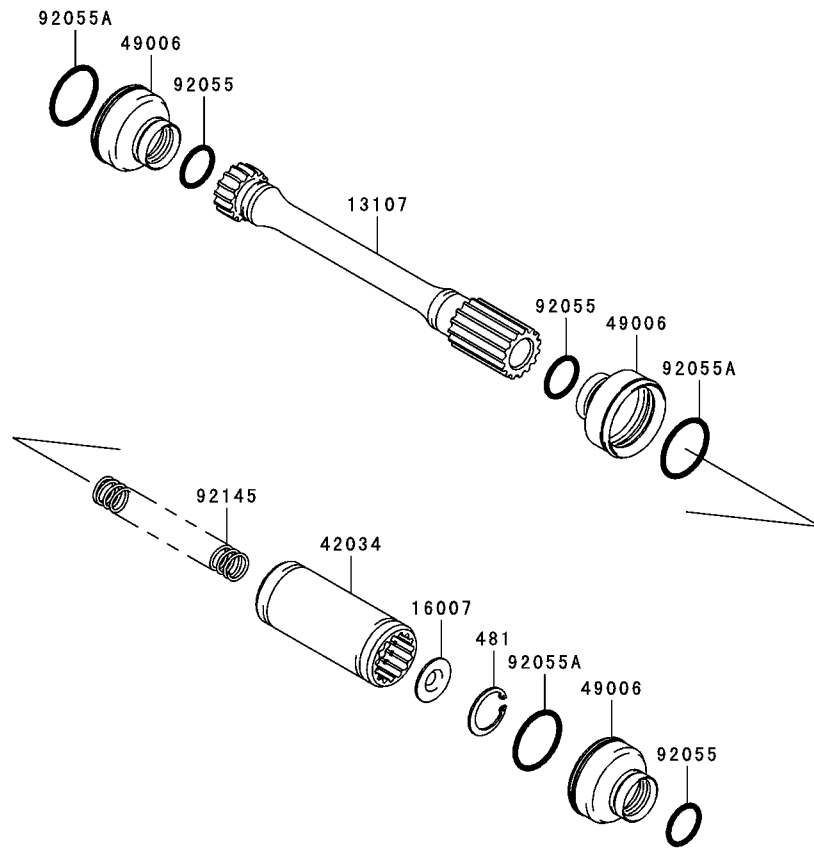
D-11

This grid covers:

Drive Shaft-Propeller

E3135

Ref. No.	Part No.	Description	Spec Code	Quantity-KVF750			
				'06	'07		
				A6F	A7F		
13107	13107-1505	SHAFT,FR PROPELLER SHAFT		1	1		
16007	16007-1205	SEAT-SPRING,PROPELLER SHAFT		1	1		
42034	42034-1193	COUPLING,PROPELLER		1	1		
49006	49006-1362	BOOT		3	3		
92055	92055-1633	RING-O,18X24X3		3	3		
92055A	92055-1693	RING-O,30X35X2.5		3	3		
92145	92145-1304	SPRING,PROPELLER SHAFT		1	1		
481	481J2500	CIRCLIP-TYPE-C,25MM		1	1		



This catalog covers:

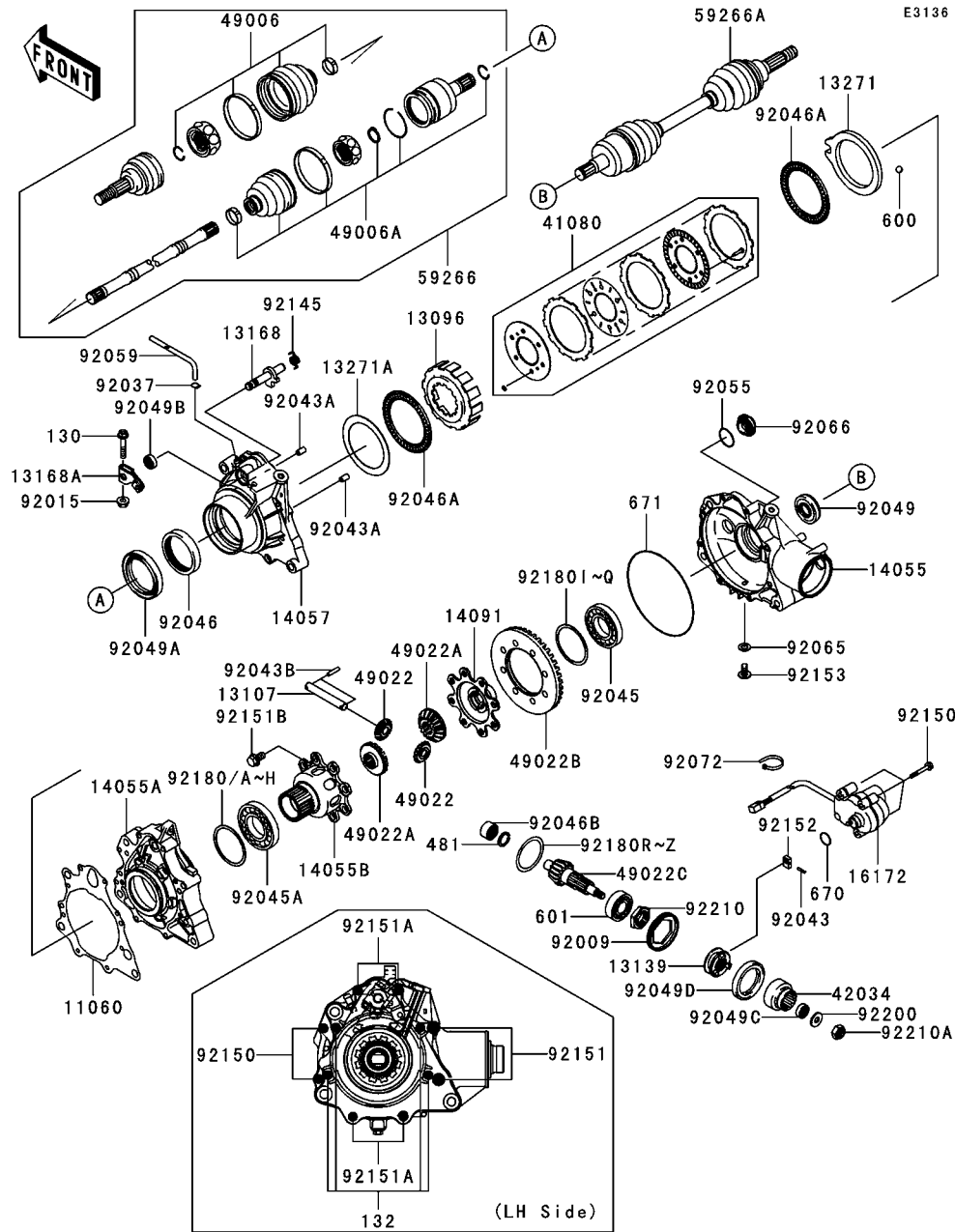
'06~'07 KVF750 A6F/A7F Engine

GRID NO.

D-12

This grid covers:

Drive Shaft-Front(1/3)



Ref. No.	Part No.	Description	Spec Code	Quantity-KVF750			
				'06	'07		
				A6F	A7F		
11060	11060-1982	GASKET,DIFF CASE	1	1			
13096	13096-1163	HOUSING-CLUTCH,DISC	1	1			
13107	13107-0123	SHAFT,CROSS	1	1			
13139	13139-1097	SHIFTER,DIFFERENTIAL	1	1			
13168	13168-1724	LEVER,DIFF	1	1			
13168A	13168-1725	LEVER,DIFFERENTIAL	1	1			
13271	13271-1497	PLATE,CAM	1	1			
13271A	13271-1503	PLATE,DISC	1	1			
14055	14055-0014	CASE-GEAR	1	1			
14055A	14055-1155	CASE-GEAR,CENTER	1	1			
14055B	14055-1156	CASE-GEAR,BEVEL,LH	1	1			
14057	14057-1004	CASE-COMP-GEAR,DIFF,LH	1	1			
14091	14091-1197	COVER,BEVEL,RH	1	1			
16172	16172-0007	ACTUATOR	1	1			
41080	41080-1512	DISC ASSY,DIFFERENTIAL LOCK	1	1			
42034	42034-1192	COUPLING,BEVEL	1	1			
49006	49006-0016	BOOT,UJ	2	2			
	(OPTION)						
49006A	49006-0017	BOOT,DOJ	2	2			
	(OPTION)						
49022	49022-1177	GEAR-BEVEL,10T	2	2			
49022A	49022-1178	GEAR-BEVEL,16T	2	2			
49022B	49022-1190	GEAR-BEVEL,35T	1	1			
49022C	49022-1201	GEAR-BEVEL,8T	1	1			
59266	59266-0007	JOINT-BALL,LH	1	1			
59266A	59266-0008	JOINT-BALL,RH	1	1			
92009	92009-1914	SCREW,64MM	1	1			
92015	92015-1339	NUT,LOCK,FLANGED,6MM	1	1			
92037	92037-1104	CLAMP,HOSE	1	1			
92043	92043-0083	PIN,2X10.5	1	1			
92043A	92043-1263	PIN,6.2X8X14	2	2			
92043B	92043-1575	PIN	2	2			
92045	92045-1393	BEARING-BALL,60/32	1	1			
92045A	92045-1394	BEARING-BALL,6910	1	1			
92046	92046-1282	BEARING-NEEDLE,TA627412ZE02	1	1			
92046A	92046-1286	BEARING-NEEDLE,AK1116	2	2			
92046B	92046-1297	BEARING-NEEDLE,AJ501515W	1	1			
92049	92049-1534	SEAL-OIL,SDD7 22X48X7HS	1	1			
92049A	92049-1536	SEAL-OIL,HTCY 62X81X10.5	1	1			
92049B	92049-1550	SEAL-OIL,TC 12X22X7	1	1			

This catalog covers:

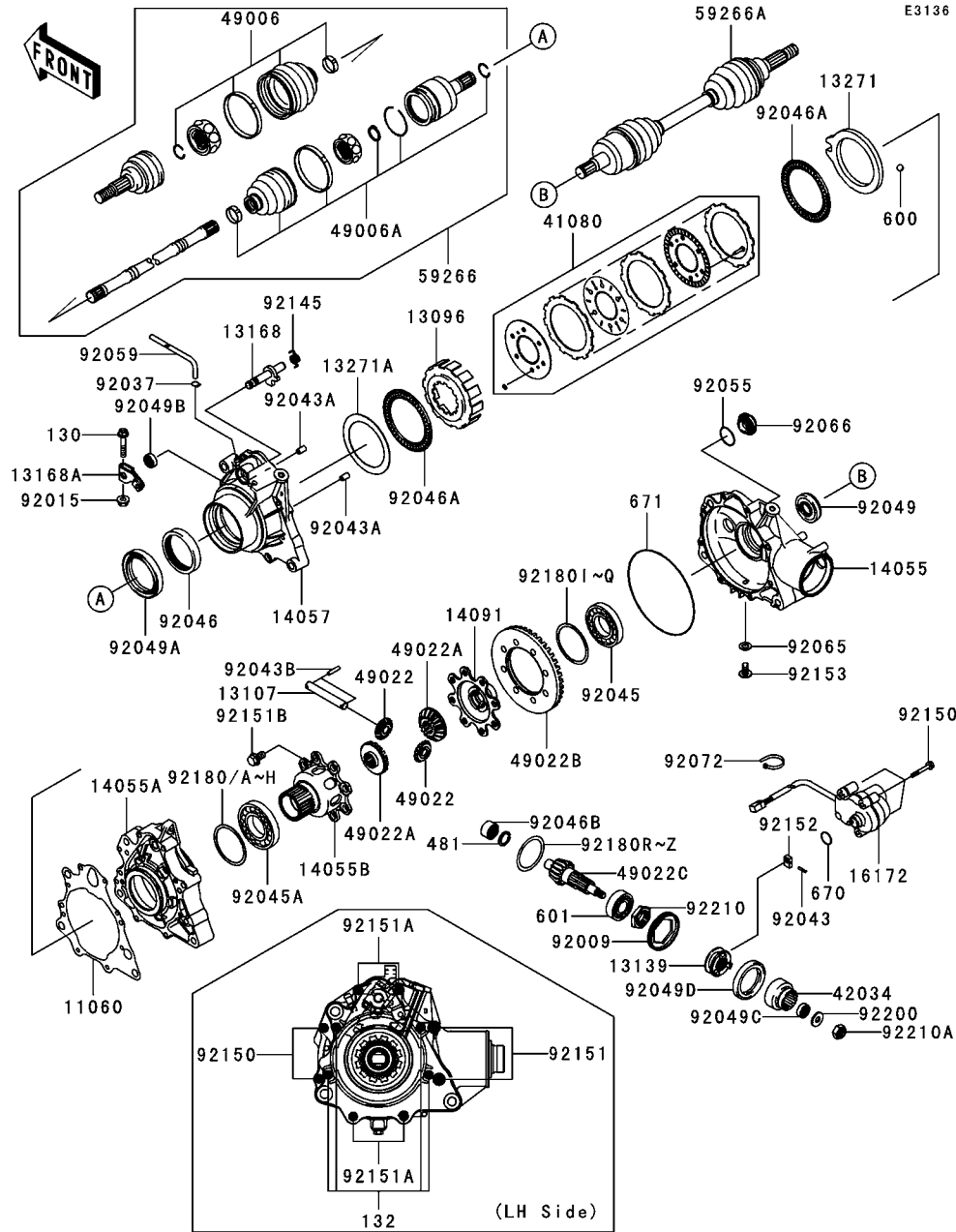
'06~'07 KVF750 A6F/A7F Engine

GRID NO.

D-13

This grid covers:

Drive Shaft-Front(2/3)



Ref. No.	Part No.	Description	Spec Code	Quantity-KVF750			
				'06	'07		
				A6F	A7F		
92049C	92049-1572	SEAL-OIL,KB 13X19X13	1	1			
92049D	92049-1573	SEAL-OIL,TCY 48X65X8	1	1			
92055	92055-1136	RING-O,25.7X2.4	1	1			
92059	92059-1679	TUBE,7X12X760,GREEN	1	1			
92065	92065-023	GASKET	1	1			
92066	92066-1303	PLUG	1	1			
92072	92072-1239	BAND,L=188	1	1			
92145	92145-1344	SPRING,DIFF RETURN	1	1			
92150	92150-1884	BOLT,6X45	5	5			
92151	92151-1794	BOLT,8X50	2	2			
92151A	92151-1795	BOLT,6X60	4	4			
92151B	92151-1910	BOLT,10X19.5	8	8			
92152	92152-1349	COLLAR	1	1			
92153	92153-0870	BOLT,8X15	1	1			
92180	92180-1390	SHIM,62X71X0.15	AR	AR			
92180A	92180-1391	SHIM,62X71X0.20	AR	AR			
92180B	92180-1392	SHIM,62X71X0.50	AR	AR			
92180C	92180-1393	SHIM,62X71X0.70	AR	AR			
92180D	92180-1394	SHIM,62X71X0.80	AR	AR			
92180E	92180-1395	SHIM,62X71X0.90	AR	AR			
92180F	92180-1396	SHIM,62X71X1.00	AR	AR			
92180G	92180-1397	SHIM,62X71X1.10	AR	AR			
92180H	92180-1398	SHIM,62X71X1.20	AR	AR			
92180I	92180-1399	SHIM,32X42X0.15	AR	AR			
92180J	92180-1400	SHIM,32X42X0.20	AR	AR			
92180K	92180-1401	SHIM,32X42X0.50	AR	AR			
92180L	92180-1402	SHIM,32X42X0.70	AR	AR			
92180M	92180-1403	SHIM,32X42X0.80	AR	AR			
92180N	92180-1404	SHIM,32X42X0.90	AR	AR			
92180O	92180-1405	SHIM,32X42X1.00	AR	AR			
92180P	92180-1406	SHIM,32X42X1.10	AR	AR			
92180Q	92180-1407	SHIM,32X42X1.20	AR	AR			
92180R	92180-1408	SHIM,50X61X0.15	AR	AR			
92180S	92180-1409	SHIM,50X61X0.20	AR	AR			
92180T	92180-1410	SHIM,50X61X0.50	AR	AR			
92180U	92180-1411	SHIM,50X61X0.70	AR	AR			
92180V	92180-1412	SHIM,50X61X0.80	AR	AR			
92180W	92180-1413	SHIM,50X61X0.90	AR	AR			
92180X	92180-1414	SHIM,50X61X1.00	AR	AR			
92180Y	92180-1415	SHIM,50X61X1.10	AR	AR			

This catalog covers:

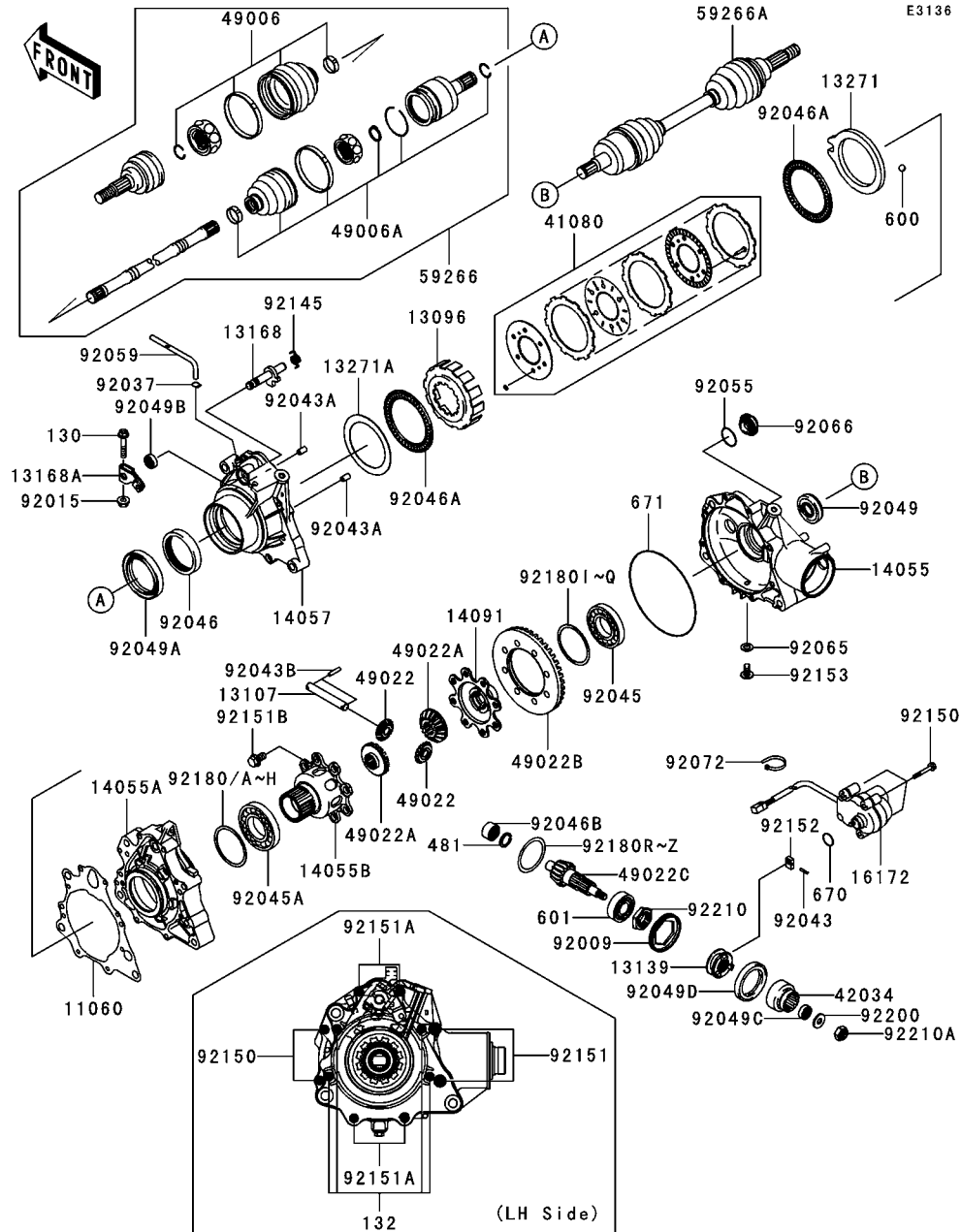
'06~'07 KVF750 A6F/A7F Engine

GRID NO.

D-14

This grid covers:

Drive Shaft-Front(3/3)



Ref. No.	Part No.	Description	Spec Code	Quantity-KVF750	
				'06	'07
				A6F	A7F
92180Z	92180-1416	SHIM,50X61X1.20	AR	AR	
92200	92200-1635	WASHER,10X24X2.5	1	1	
92210	92210-1225	NUT,25MM	1	1	
92210A	92210-1351	NUT,LOCK,10MM	1	1	
130	130G0635	BOLT-FLANGED,6X35	1	1	
132	132Y0630	BOLT-FLANGED-SMALL,6X30	4	4	
481	481J2500	CIRCLIP-TYPE-C,25MM	1	1	
600	600A1100	BALL-STEEL,11/32"	6	6	
601	601A6305	BEARING-BALL,#6305	1	1	
670	670D3022	O RING	1	1	
671	671D25145	O RING	1	1	

This catalog covers:

'06~'07 KVF750 A6F/A7F Engine

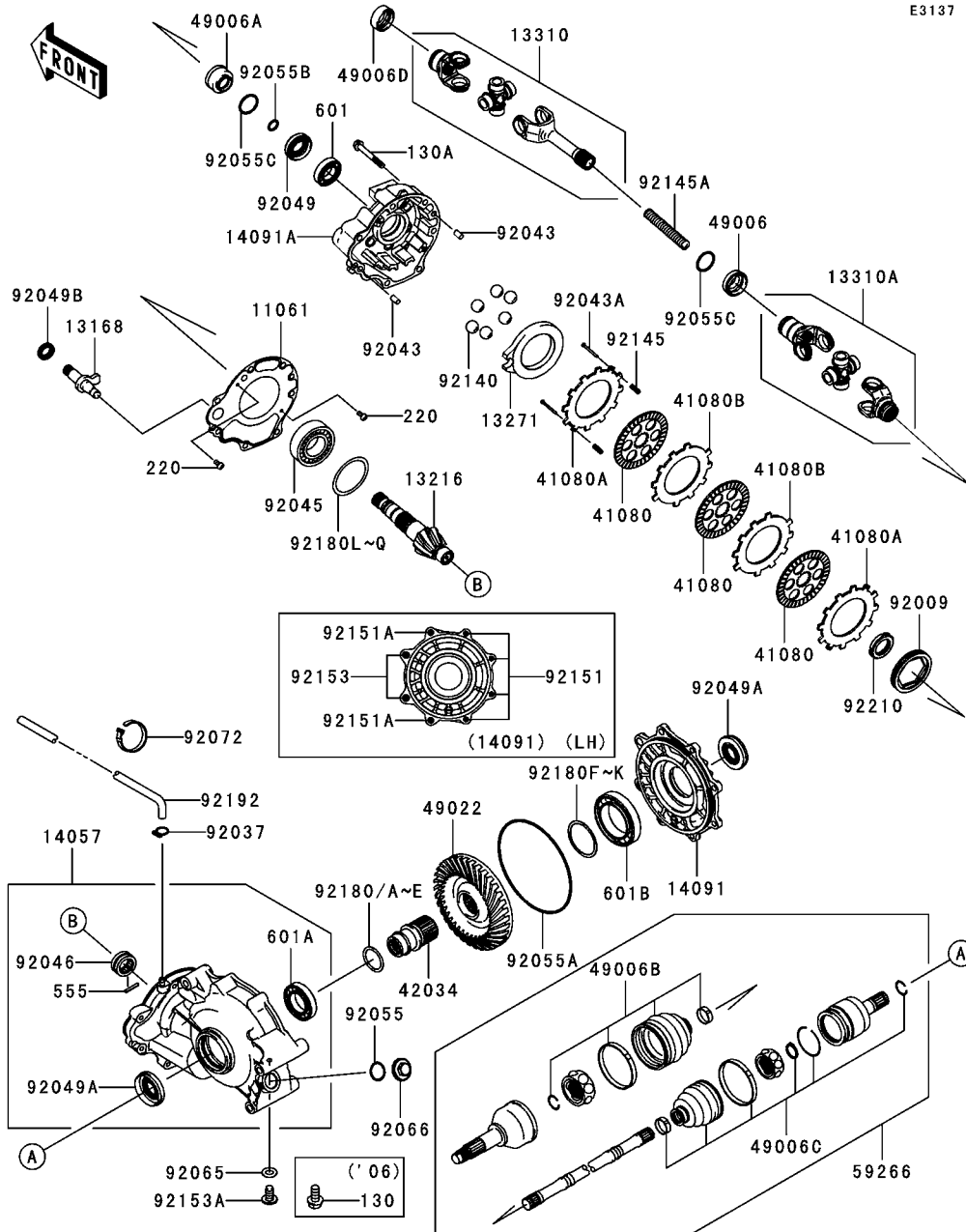
GRID NO.

E-3

This grid covers:

Drive Shaft-Rear(1/2)

E3137



Ref. No.	Part No.	Description	Spec Code	Quantity-KVF750	
				'06	'07
				A6F	A7F
11061	11061-0059	GASKET,SOHT METAL	1	1	
13168	13168-0042	LEVER,BRAKE	1	1	
13216	13216-0017	GEAR-COMP	1	1	
13271	13271-0539	PLATE,CAM	1	1	
13310	13310-0013	SHAFT-ASSY,ENGINE SIDE	1	1	
13310A	13310-0014	SHAFT-ASSY,GEAR-ASSY SIDE	1	1	
14057	14057-0002	CASE-COMP-GEAR	1	1	
14091	14091-0142	COVER,RH	1	1	
14091A	14091-0143	COVER,FR	1	1	
41080	41080-1482	DISC,FRICITION	3	3	
41080A	41080-1483	DISC,PRESSURE	2	2	
41080B	41080-1484	DISC,SEPARATER	2	2	
42034	42034-0006	COUPLING	1	1	
49006	49006-0007	BOOT	1	1	
49006A	49006-0008	BOOT	1	1	
49006B	49006-0018 (OPTION)	BOOT,BJ	2	2	
49006C	49006-0019 (OPTION)	BOOT,DOJ	2	2	
49006D	49006-0021	BOOT	1	1	
49022	49022-0009	GEAR-BEVEL,35T	1	1	
59266	59266-0002	JOINT-BALL	2	2	
92009	92009-1667	SCREW-SET-SOCKET,75X10	1	1	
92037	92037-1104	CLAMP,HOSE	1	1	
92043	92043-1567	PIN,8X14	2	2	
92043A	92043-1617	PIN,3X35	2	2	
92045	92045-0026	BEARING-BALL,BX30-1C3 UR3	1	1	
92046	92046-1280	BEARING-NEEDLE,AH502504A	1	1	
92049	92049-0028	SEAL-OIL,HTGY 24X45X9.5	1	1	
92049A	92049-0029	SEAL-OIL,SDD7 25X57X7 HS	2	2	
92049B	92049-1537	SEAL-OIL,TC17X28X6	1	1	
92055	92055-1136	RING-O,25.7X2.4	1	1	
92055A	92055-1631	RING-O,158.5X3.70	1	1	
92055B	92055-1633	RING-O,18X24X3	1	1	
92055C	92055-1693	RING-O,30X35X2.5	2	2	
92065	92065-023	GASKET	1	1	
92066	92066-1303	PLUG	1	1	
92072	92072-056	BAND,L=186	5	5	
92140	92140-1064	BALL,D/O#12	6	6	
92145	92145-1301	SPRING,RR BRAKE	2	2	

This catalog covers:

'06~'07 KVF750 A6F/A7F Engine

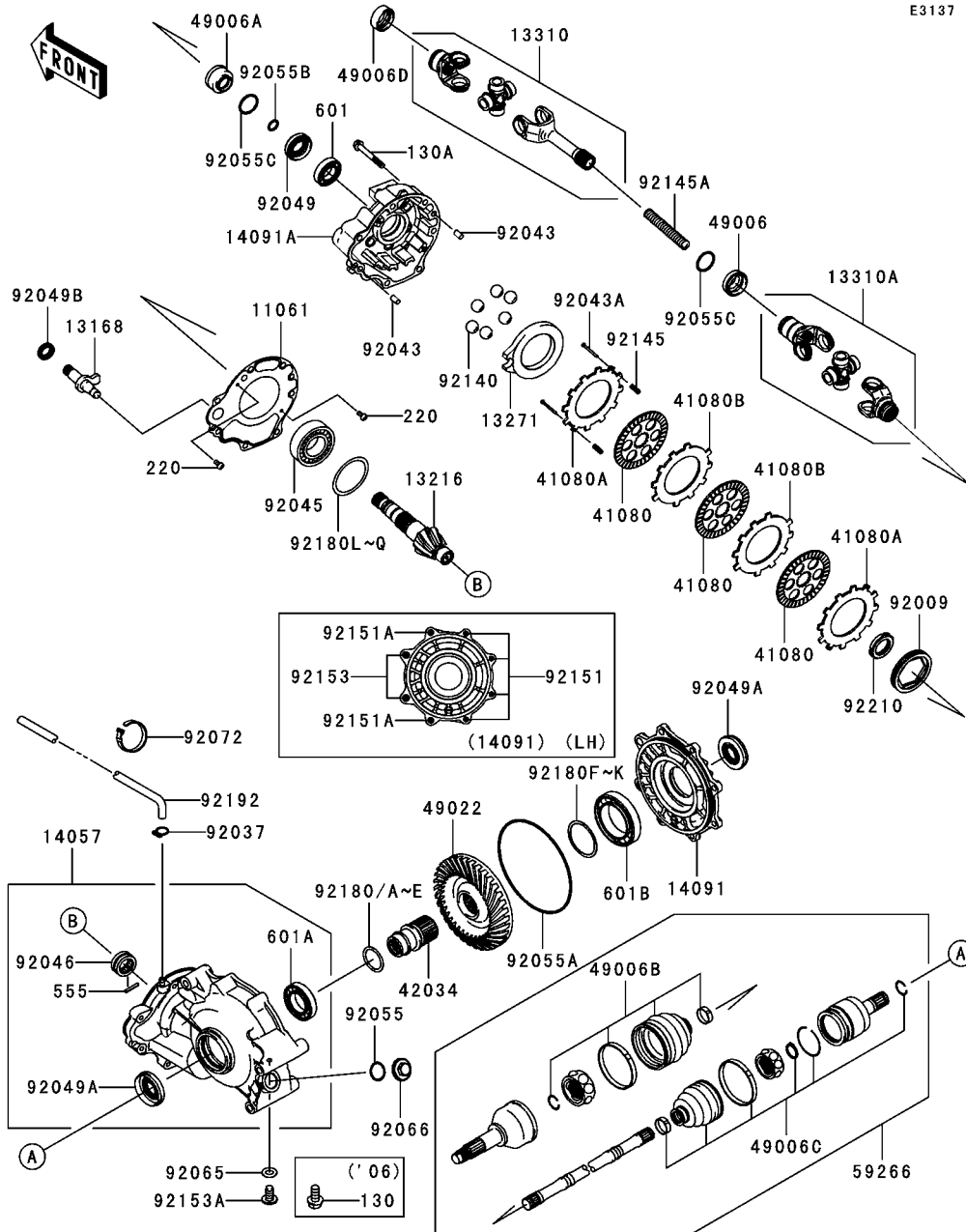
GRID NO.

E-4

This grid covers:

Drive Shaft-Rear(2/2)

E3137



Ref. No.	Part No.	Description	Quantity-KVF750			
			'06	'07		
			A6F	A7F		
92145A	92145-1304	SPRING,PROPELLER SHAFT	1	1		
92151	92151-1908	BOLT,8X30	4	4		
92151A	92151-1909	BOLT,10X35	2	2		
92153	92153-0311	BOLT,12X35	2	2		
92153A	92153-0870	BOLT,8X15		1		
92180	92180-0161	SHIM,35.2X44.0X1.2	AR	AR		
92180A	92180-0162	SHIM,35.2X44.0X1.0	AR	AR		
92180B	92180-0163	SHIM,35.2X44.0X0.8	AR	AR		
92180C	92180-0164	SHIM,35.2X44.0X0.5	AR	AR		
92180D	92180-0165	SHIM,35.2X44.0X0.2	AR	AR		
92180E	92180-0166	SHIM,35.2X44.0X0.15	AR	AR		
92180F	92180-1417	SHIM,55X64X0.15	AR	AR		
92180G	92180-1418	SHIM,55X64X0.20	AR	AR		
92180H	92180-1419	SHIM,55X64X0.50	AR	AR		
92180I	92180-1420	SHIM,55X64X0.80	AR	AR		
92180J	92180-1421	SHIM,55X64X1.00	AR	AR		
92180K	92180-1422	SHIM,55X64X1.20	AR	AR		
92180L	92180-1423	SHIM,60X72X0.15	AR	AR		
92180M	92180-1424	SHIM,60X72X0.20	AR	AR		
92180N	92180-1425	SHIM,60X72X0.50	AR	AR		
92180O	92180-1426	SHIM,60X72X0.80	AR	AR		
92180P	92180-1427	SHIM,60X72X1.00	AR	AR		
92180Q	92180-1428	SHIM,60X72X1.20	AR	AR		
92192	92192-0210	TUBE,BREATHER,L=1680MM	1	1		
92210	92210-1294	NUT,30MM	1	1		
130	130G0816	BOLT-FLANGED,8X16	1			
130A	130Z0860	BOLT-FLANGED,8X60	7	7		
220	220B0408	SCREW-PAN-CROS,4X8	2	2		
555	555A0428	PIN-SPRING	1	1		
601	601A6005	BEARING-BALL	1	1		
601A	601A6007	BEARING-BALL,#6007	1	1		
601B	601A6011	BEARING-BALL	1	1		

This catalog covers:

'06~'07 KVF750 A6F/A7F Engine

GRID NO.

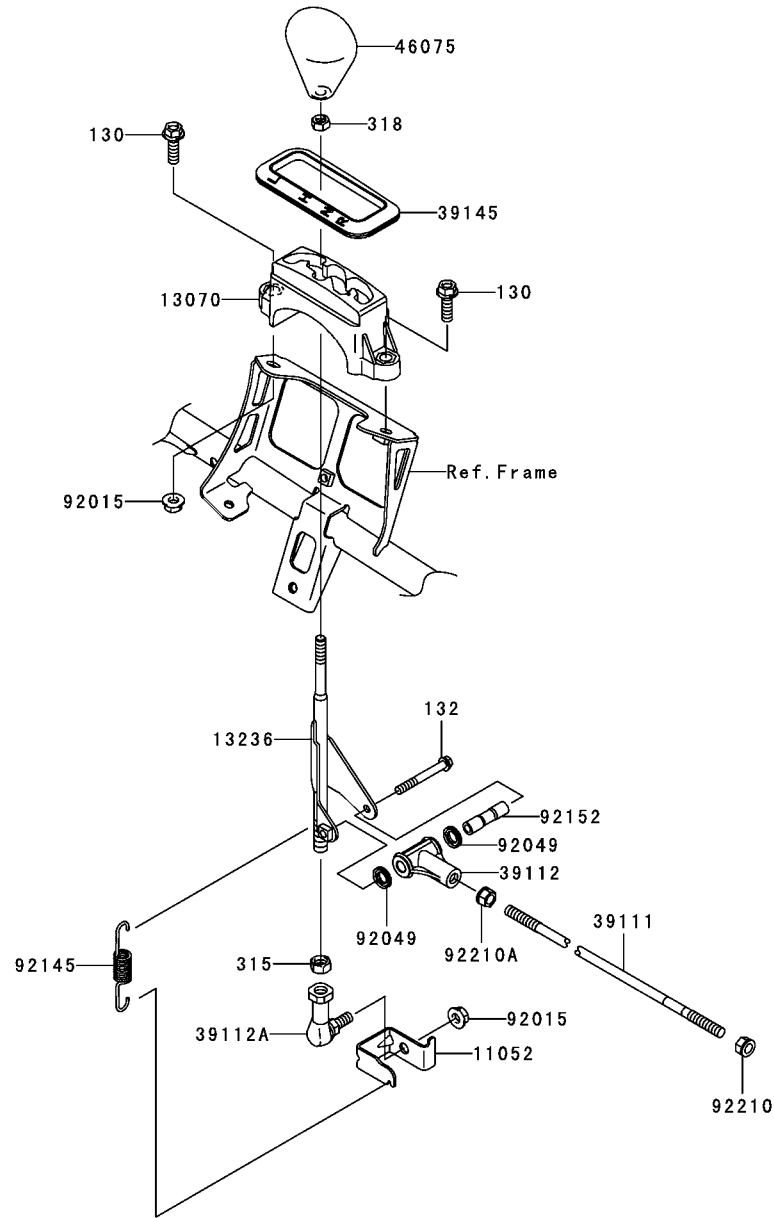
E-5

This grid covers:

Control

E7110

Ref. No.	Part No.	Description	Quantity-KVF750			
			'06	'07		
			A6F	A7F		
11052	11052-1476	BRACKET,CONTROL	1	1		
13070	13070-1396	GUIDE,CONTROL SHAFT	1	1		
13236	13236-0034	LEVER-COMP,SHIFT	1	1		
39111	39111-1174	ROD-TIE,SHIFT	1	1		
39112	39112-1079	RODEND-TIE	1	1		
39112A	39112-1084	RODEND-TIE,CONTROL PIVOT	1	1		
39145	39145-1121	TRIM-SEAL,CONTROL GUIDE	1	1		
46075	46075-0046	GRIP,SHIFT	1	1		
92015	92015-1432	NUT,8MM	2	2		
92049	92049-1458	SEAL-OIL	2	2		
92145	92145-0130	SPRING	1	1		
92152	92152-1222	COLLAR,RODEND-TIE	1	1		
92210	92210-1242	NUT,8MM	1	1		
92210A	92210-1284	NUT,LH,THREAD 8MM	1	1		
130	130Z0825	BOLT-FLANGED,8X25	2	2		
132	132J0650	BOLT-FLANGED-SMALL,6X50	1	1		
315	315B1000	NUT-HEX-FINE,10MM	1	1		
318	318G0800	NUT-HEX-SMALL,8MM	1	1		



This catalog covers:

'06~'07 KVF750 A6F/A7F Chassis

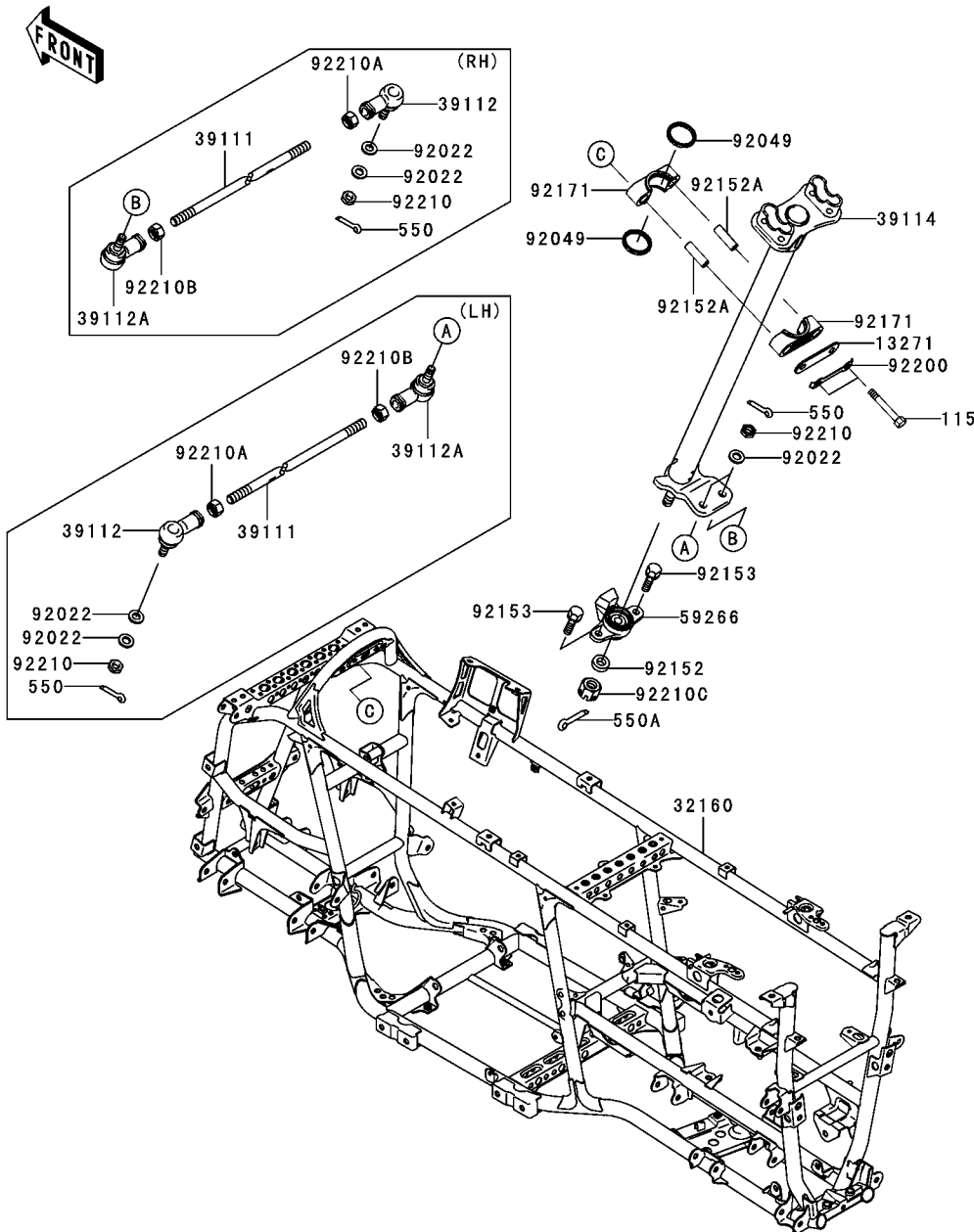
GRID NO.

F-3

This grid covers:

Frame

F2120



Ref. No.	Part No.	Description	Spec Code	Quantity-KVF750			
				'06	'07		
				A6F	A7F		
13271	13271-7506	PLATE,STEERING,CLAMP	1	1			
32160	32160-0135	FRAME-COMP	1	1			
39111	39111-0023	ROD-TIE	2	2			
39112	39112-0009	RODEND-TIE,RIGHT HANDED	2	2			
39112A	39112-0010	RODEND-TIE,LEFT HANDED	2	2			
39114	39114-0006	SHAFT-COMP-STRG	1	1			
59266	59266-1125	JOINT-BALL	1	1			
92022	92022-3742	WASHER,10.2X20X1.5	6	6			
92049	92049-7501	SEAL-OIL,SR31.8X37.5X3.8LR	2	2			
92152	92152-1351	COLLAR,12X21.3X7	1	1			
92152A	92152-7501	COLLAR,9.1X13.95X42	2	2			
92153	92153-1065	BOLT,8X30	2	2			
92171	92171-7501	CLAMP,STEERING	2	2			
92200	92200-7503	WASHER,STEERING CLAMP	1	1			
92210	92210-1184	NUT,LOCK,10MM	4	4			
92210A	92210-1385	NUT,RIGHT HANDED	2	2			
92210B	92210-1386	NUT,LEFT HANDED	2	2			
92210C	92210-7501	NUT,12MM	1	1			
115	115S0855	BOLT-SMALL-UPSET,8X55	2	2			
550	550D2015	PIN-COTTER,2.0X15	4	4			
550A	550D3025	PIN-COTTER,3.0X25	1	1			

This catalog covers:

'06~'07 KVF750 A6F/A7F Chassis

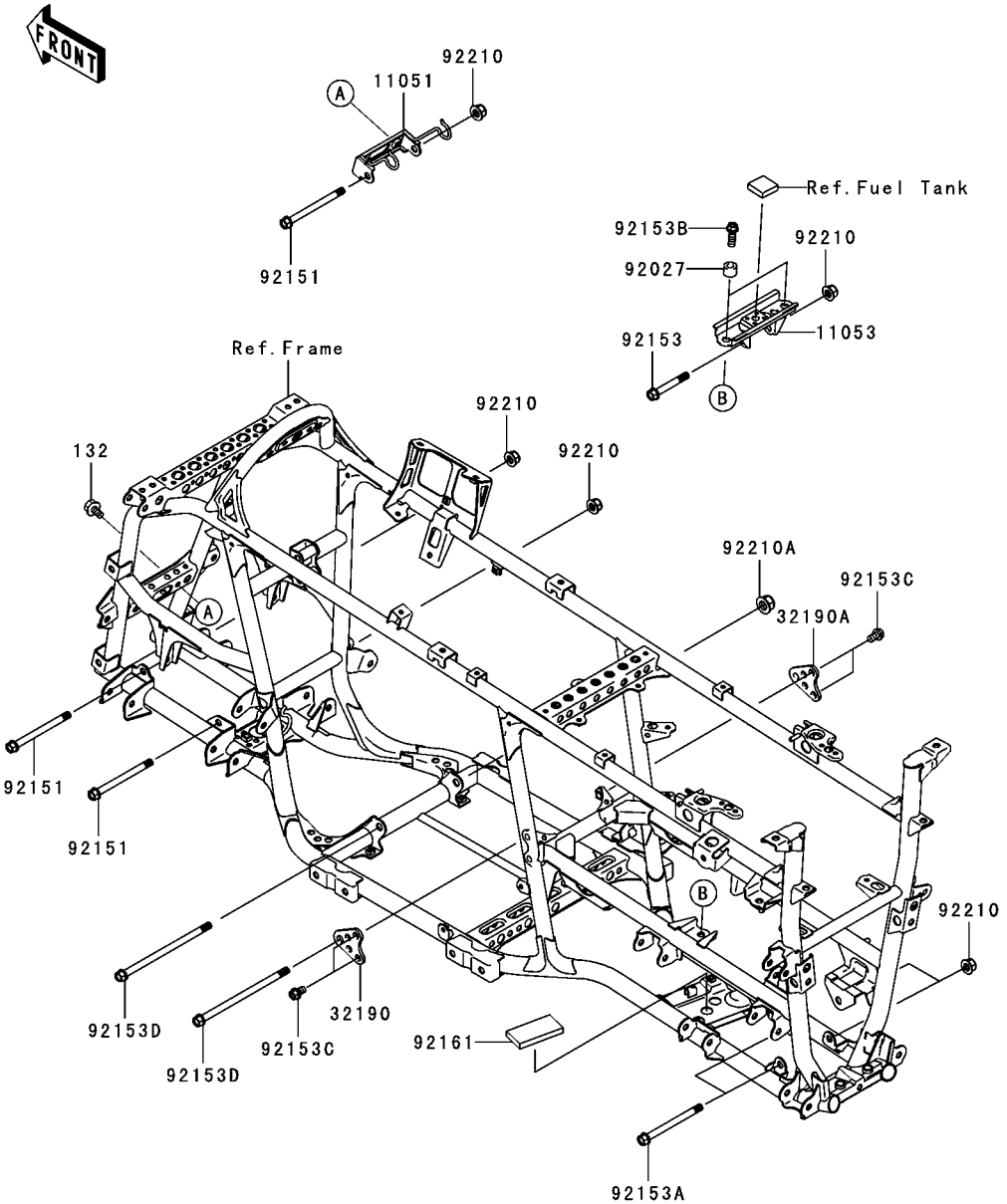
GRID NO.

F-4

This grid covers:

Engine Mount

F2122



Ref. No.	Part No.	Description	Spec Code	Quantity-KVF750			
				'06	'07		
				A6F	A7F		
11051	11051-1929	BRACKET,FRONT DIFF		1	1		
11053	11053-1592	BRACKET,REAR DIFF,TOP		1	1		
32190	32190-0059	BRACKET-ENGINE,RR,UPP,LH		1	1		
32190A	32190-0060	BRACKET-ENGINE,RR,UPP,RH		1	1		
92027	92027-1472	COLLAR,FRONT AXLE,L=14.5		2	2		
92151	92151-1914	BOLT,FLANGED,10X120		3	3		
92153	92153-0871	BOLT,FLANGED,M10X70		1	1		
92153A	92153-0872	BOLT,FLANGED,10X120		2	2		
92153B	92153-0930	BOLT,FLANGED,10X30		2	2		
92153C	92153-0991	BOLT,FLANGED,10X16		4	4		
92153D	92153-1502	BOLT,FLANGED,12X190		2	2		
92161	92161-0215	DAMPER		1	1		
92210	92210-1081	NUT,LOCK,FLANGED,10MM		6	6		
92210A	92210-1150	NUT,LOCK,FLANGED,12MM		1	1		
132	132J0814	BOLT-FLANGED-SMALL,8X14		2	2		

This catalog covers:

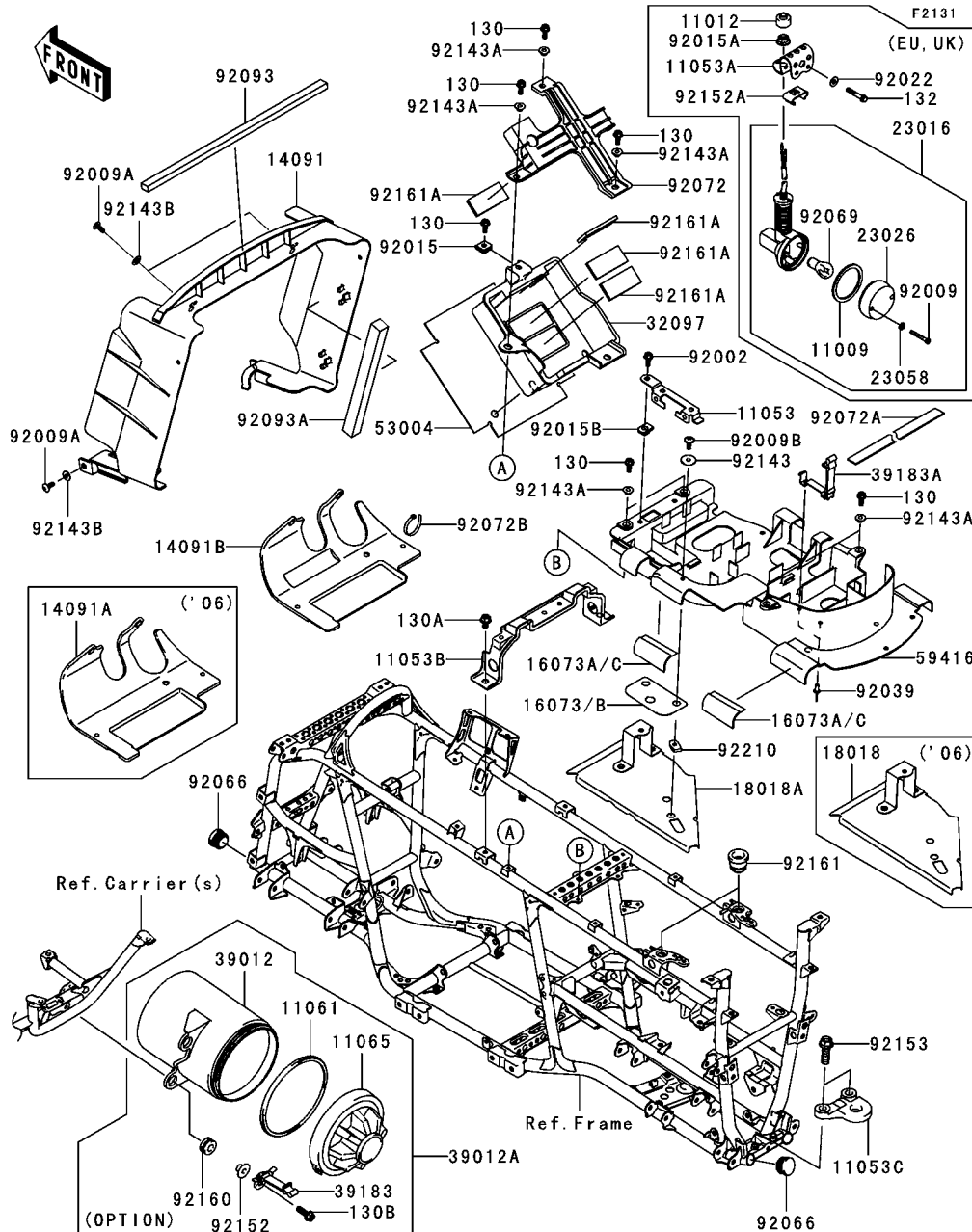
'06~'07 KVF750 A6F/A7F Chassis

GRID NO.

F-5

This grid covers:

Frame Fittings(1/2)



Ref. No.	Part No.	Description	Spec Code	Quantity-KVF750			
				'06	'07		
				A6F	A7F		
11009	11009-1373	GASKET					
	L-----		EU,UK	1	1		
11012	11012-1367	CAP					
	L-----		EU,UK	1	1		
11053	11053-0937	BRACKET,FUSE ASSY					
11053A	11053-0958	BRACKET,REVERSE LAMP					
	L-----		EU,UK	1	1		
11053B	11053-0969	BRACKET,SEAT&BATTERY BAND					
	L-----		EU,UK	1	1		
11053C	11053-1638	BRACKET,TRAILER HITCH					
11061	11061-0072	GASKET,TOOL CASE					
	(OPTION)						
11065	11065-0088	CAP,TOOL CASE					
	(OPTION)						
14091	14091-0338	COVER,RADIATOR					
14091A	14091-0504	COVER,AIR CLEANER					
14091B	14091-0540	COVER,AIR CLEANER				1	
16073	16073-0018	INSULATOR,ELECTRIC CASE				1	
16073A	16073-0027	INSULATOR,ELECTRIC CASE				2	
16073B	16073-0035	INSULATOR,ELECTRIC CASE				1	
16073C	16073-0036	INSULATOR,ELECTRIC CASE				2	
18018	18018-0003	PLATE-HEAT GUARD				1	
18018A	18018-0009	PLATE-HEAT GUARD				1	
23016	23016-1182	LAMP-ASSY,REVERSE					
	L-----		EU,UK	1	1		
23026	23026-1227	LENS,REVERSE LAMP					
	L-----		EU,UK	1	1		
23058	23058-002	WASHER,PLAIN,4MM					
	L-----		EU,UK	2	2		
32097	32097-0009	CASE-BATTERY				1	
39012	39012-0005	CASE-STORAGE				1	
	(OPTION)						
39012A	39012-5013	CASE-STORAGE,ASSY				1	
	(OPTION)						
39183	39183-0003	BAND-ASSY,TOOL BAG				1	
	(OPTION)						
39183A	39183-1065	BAND-ASSY,TOOL BAG				1	
53004	53004-0002	MAT,BATTERY CASE				1	
59416	59416-0004	CASE-ELECTRIC				1	
92002	92002-1571	BOLT,6X16				1	
92009	92009-1069	SCREW,TAPPING,4X25					
	L-----		EU,UK	2	2		
92009A	92009-1166	SCREW,TAPPING,6X16				4	

This catalog covers:

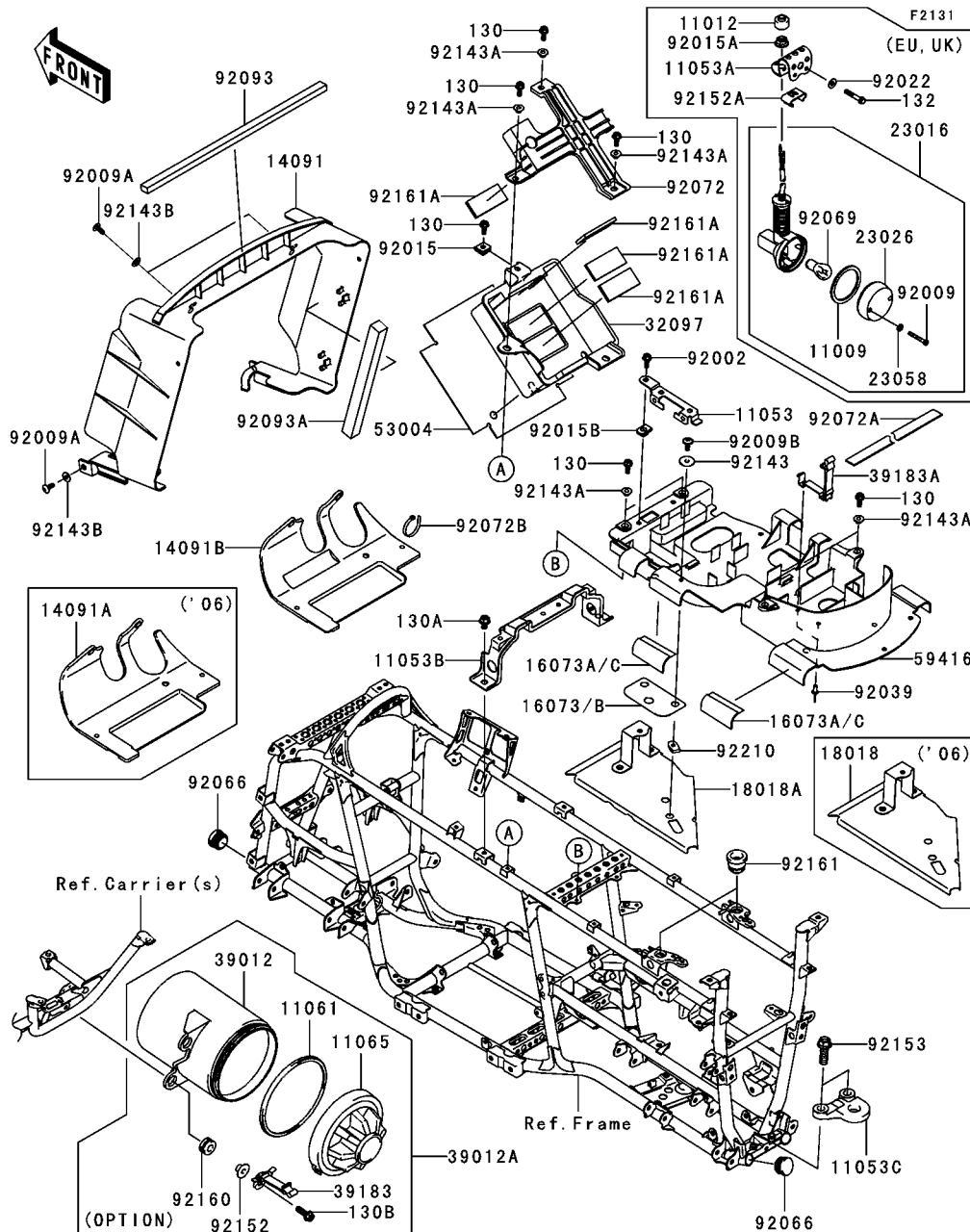
'06~'07 KVF750 A6F/A7F Chassis

GRID NO.

F-6

This grid covers:

Frame Fittings(2/2)



Ref. No.	Part No.	Description	Spec Code	Quantity-KVF750	
				'06	'07
				A6F	A7F
92009B	92009-1621	SCREW,6X16		1	1
92015	92015-1094	NUT,6MM		1	1
92015A	92015-1356	NUT,10MM			
	L -		EU,UK	1	1
92015B	92015-1602	NUT,6MM		1	1
92022	92022-1342	WASHER,6.5X16X2			
	L -		EU,UK	2	2
92039	92039-3719	RIVET,4.8MM		2	2
92066	92066-0036	PLUG		4	4
92069	92069-085	BULB,12V 10W			
	L -		EU,UK	1	1
92072	92072-0033	BAND,BATTERY		1	1
92072A	92072-0040	BAND,MAGIC TAPE		1	1
92072B	92072-1239	BAND,L=188		4	4
92093	92093-0024	SEAL,L=408		1	1
92093A	92093-0028	SEAL,L=250		2	2
92143	92143-1025	COLLAR,L=6.5		1	1
92143A	92143-1057	COLLAR		7	7
92143B	92143-1087	COLLAR		4	4
92152	92152-0155	COLLAR		2	2
	(OPTION)				
92152A	92152-0191	COLLAR			
	L -		EU,UK	1	1
92153	92153-0847	BOLT,FLANGED,12X35		2	2
92160	92160-1151	DAMPER		2	2
	(OPTION)				
92161	92161-0048	DAMPER		2	2
92161A	92161-1127	DAMPER		4	4
92210	92210-1331	NUT		1	1
130	130J0616	BOLT-FLANGED,6X16		8	8
130A	130J0812	BOLT-FLANGED,8X12		2	2
130B	130J0825	BOLT-FLANGED,8X25		2	2
	(OPTION)				
132	132J0635	BOLT-FLANGED-SMALL,6X35			
	L -		EU,UK	2	2

This catalog covers:

'06~'07 KVF750 A6F/A7F Chassis

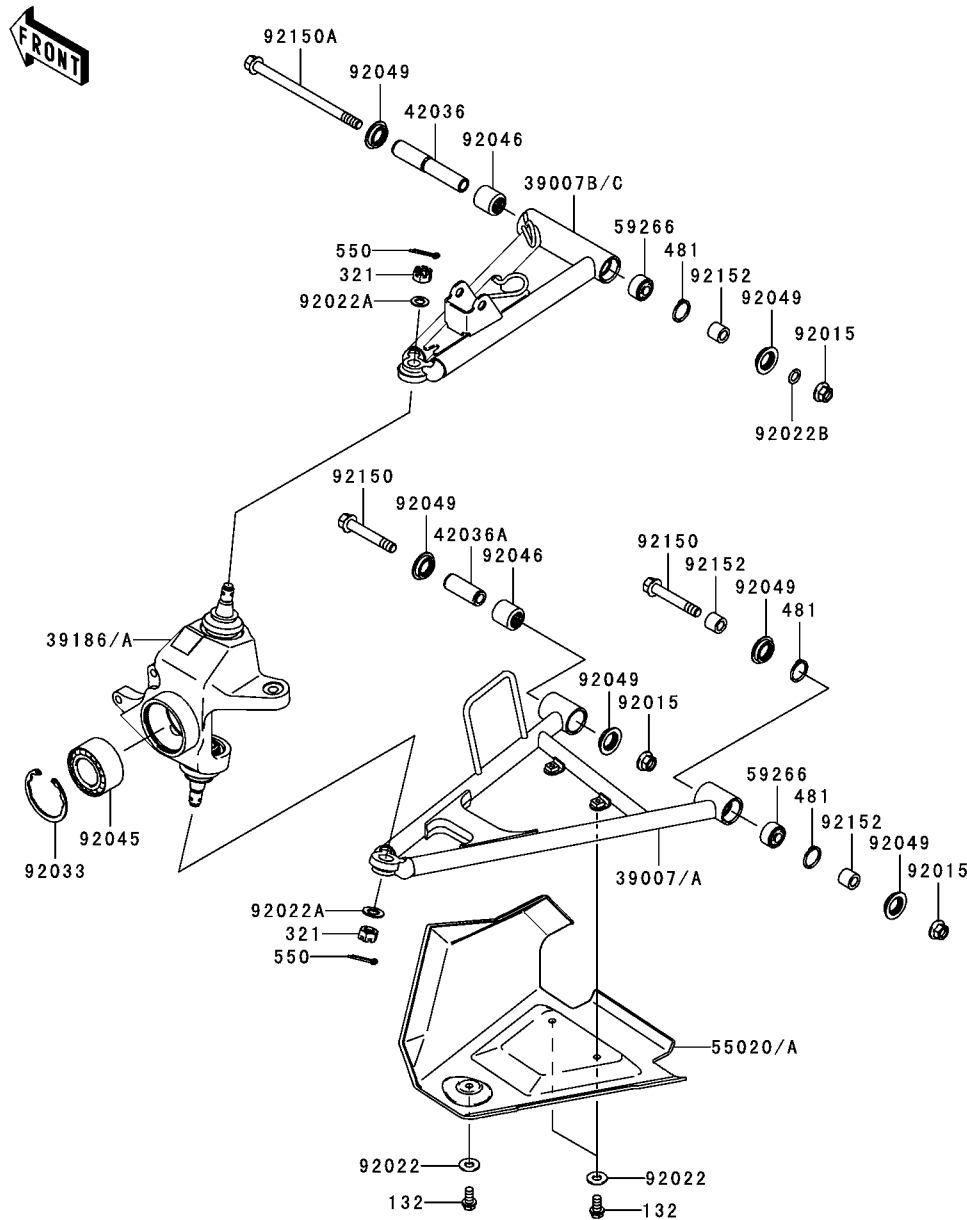
GRID NO.

F-7

This grid covers:

Front Suspension(≈JKAVFDA1 6B524414)

F2152



Ref. No.	Part No.	Description	Spec Code	Quantity-KVF750			
				'06	'07		
				A6F	A7F		
39007	39007-0040	ARM-SUSP,FR,LWR,LH					
		L-----	AS	1			
39007A	39007-0041	ARM-SUSP,FR,LWR,RH					
		L-----	AS	1			
39007B	39007-7507	ARM-SUSP,FR,UPP,LH					
		L-----	AS	1			
39007C	39007-7508	ARM-SUSP,FR,UPP,RH					
		L-----	AS	1			
39186	39186-0033	KNUCKLE ASSY,FR,LH					
		L-----	AS	1			
39186A	39186-0034	KNUCKLE ASSY,FR,RH					
		L-----	AS	1			
42036	42036-0016	SLEEVE,SUSPENSION ARM					
		L-----	AS	2			
42036A	42036-1376	SLEEVE					
		L-----	AS	2			
55020	55020-0109-6Z	GUARD,FRONT ARM,LH,F.BLACK					
		L-----	AS	1			
55020A	55020-0110-6Z	GUARD,FRONT ARM,RH,F.BLACK					
		L-----	AS	1			
59266	59266-0013	JOINT-BALL					
		L-----	AS	4			
92015	92015-1415	NUT,FLANGED,10MM					
		L-----	AS	6			
92022	92022-024	WASHER,7X16X1.2					
		L-----	AS	6			
92022A	92022-1065	WASHER,12.3X22X1.6					
		L-----	AS	4			
92022B	92022-1829	WASHER,10.2X16X1					
		L-----	AS	AR			
92033	92033-1274	RING-SNAP,55MM					
		L-----	AS	2			
92045	92045-1448	BEARING-BALL,30BWD08A					
		L-----	AS	2			
92046	92046-1046	BEARING-NEEDLE					
		L-----	AS	4			
92049	92049-1223	SEAL-OIL,MHA17245.7F					
		L-----	AS	12			
92150	92150-1384	BOLT,FLANGED,10X63					
		L-----	AS	4			
92150A	92150-1686	BOLT,FLANGED,10X150					
		L-----	AS	2			
92152	92152-1455	COLLAR,10X17X14.5					
		L-----	AS	6			

This catalog covers:

'06~'07 KVF750 A6F/A7F Chassis

GRID NO.

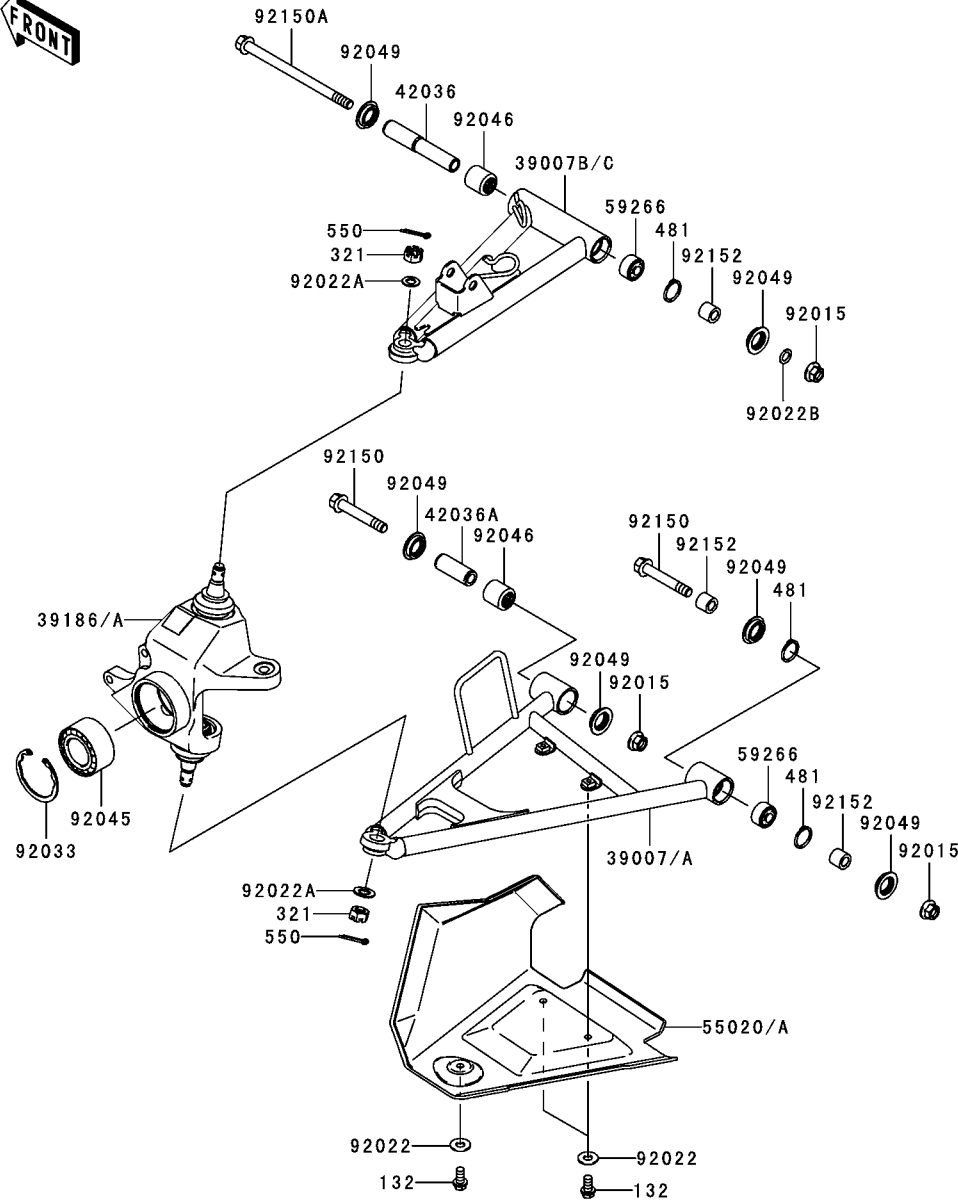
F-8

This grid covers:

Front Suspension(~JKAVFDA1 6B524414)

F2152

Ref. No.	Part No.	Description	Spec Code	Quantity-KVF750			
				'06	'07		
				A6F	A7F		
132	132J0612	BOLT-FLANGED-SMALL,6X12					
		L-----	AS	6			
321	321H1200	NUT-CASTLE,12MM					
		L-----	AS	4			
481	481J2400	CIRCLIP					
		L-----	AS	6			
550	550D3025	PIN-COTTER,3.0X25					
		L-----	AS	4			



This catalog covers:

'06~'07 KVF750 A6F/A7F Chassis

GRID NO.

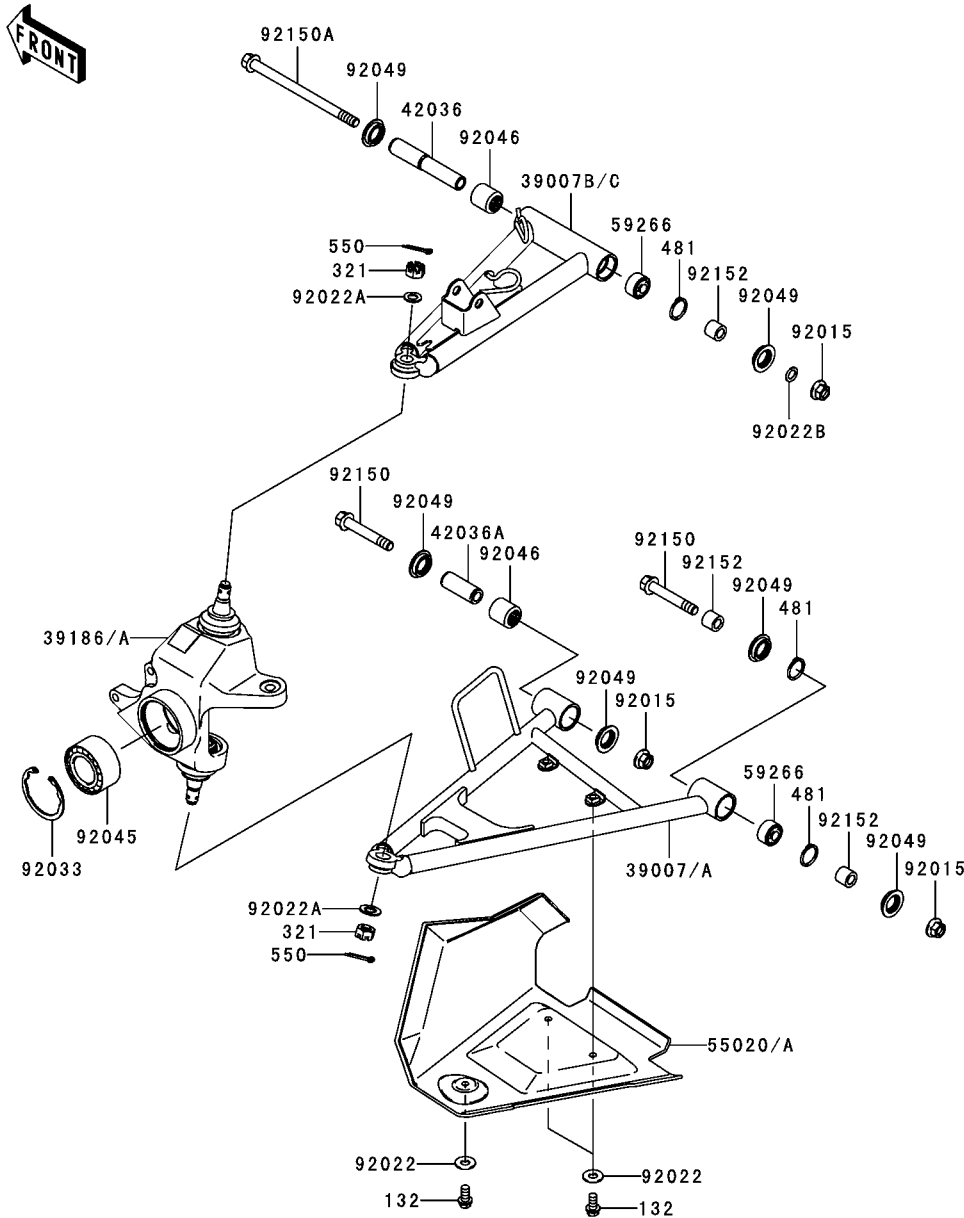
F-9

This grid covers:

Front Suspension(JKAVFDA1 6B524415~)

F2152A

Ref. No.	Part No.	Description	Spec Code	Quantity-KVF750			
				'06	'07		
				A6F	A7F		
39007	39007-0064	ARM-SUSP,FR,LWR,LH					
		L-----	AS	1	1		
39007A	39007-0065	ARM-SUSP,FR,LWR,RH					
		L-----	AS	1	1		
39007B	39007-0066	ARM-SUSP,FR,UPP,LH					
		L-----	AS	1	1		
39007C	39007-0067	ARM-SUSP,FR,UPP,RH					
		L-----	AS	1	1		
39186	39186-0033	KNUCKLE ASSY,FR,LH					
		L-----	AS	1	1		
39186A	39186-0034	KNUCKLE ASSY,FR,RH					
		L-----	AS	1	1		
42036	42036-0016	SLEEVE,SUSPENSION ARM					
		L-----	AS	2	2		
42036A	42036-1376	SLEEVE					
		L-----	AS	2	2		
55020	55020-0109-6Z	GUARD,FRONT ARM,LH,F.BLACK					
		L-----	AS	1	1		
55020A	55020-0110-6Z	GUARD,FRONT ARM,RH,F.BLACK					
		L-----	AS	1	1		
59266	59266-0013	JOINT-BALL					
		L-----	AS	4	4		
92015	92015-1415	NUT,FLANGED,10MM					
		L-----	AS	6	6		
92022	92022-024	WASHER,7X16X1.2					
		L-----	AS	6	6		
92022A	92022-1065	WASHER,12.3X22X1.6					
		L-----	AS	4	4		
92022B	92022-1829	WASHER,10.2X16X1					
		L-----	AS	AR	AR		
92033	92033-1274	RING-SNAP,55MM					
		L-----	AS	2	2		
92045	92045-1448	BEARING-BALL,30BWD08A					
		L-----	AS	2	2		
92046	92046-1046	BEARING-NEEDLE					
		L-----	AS	4	4		
92049	92049-1223	SEAL-OIL,MHA17245.7F					
		L-----	AS	12	12		
92150	92150-1384	BOLT,FLANGED,10X63					
		L-----	AS	4	4		
92150A	92150-1686	BOLT,FLANGED,10X150					
		L-----	AS	2	2		
92152	92152-1455	COLLAR,10X17X14.5					
		L-----	AS	6	6		



This catalog covers:

'06~'07 KVF750 A6F/A7F Chassis

GRID NO.

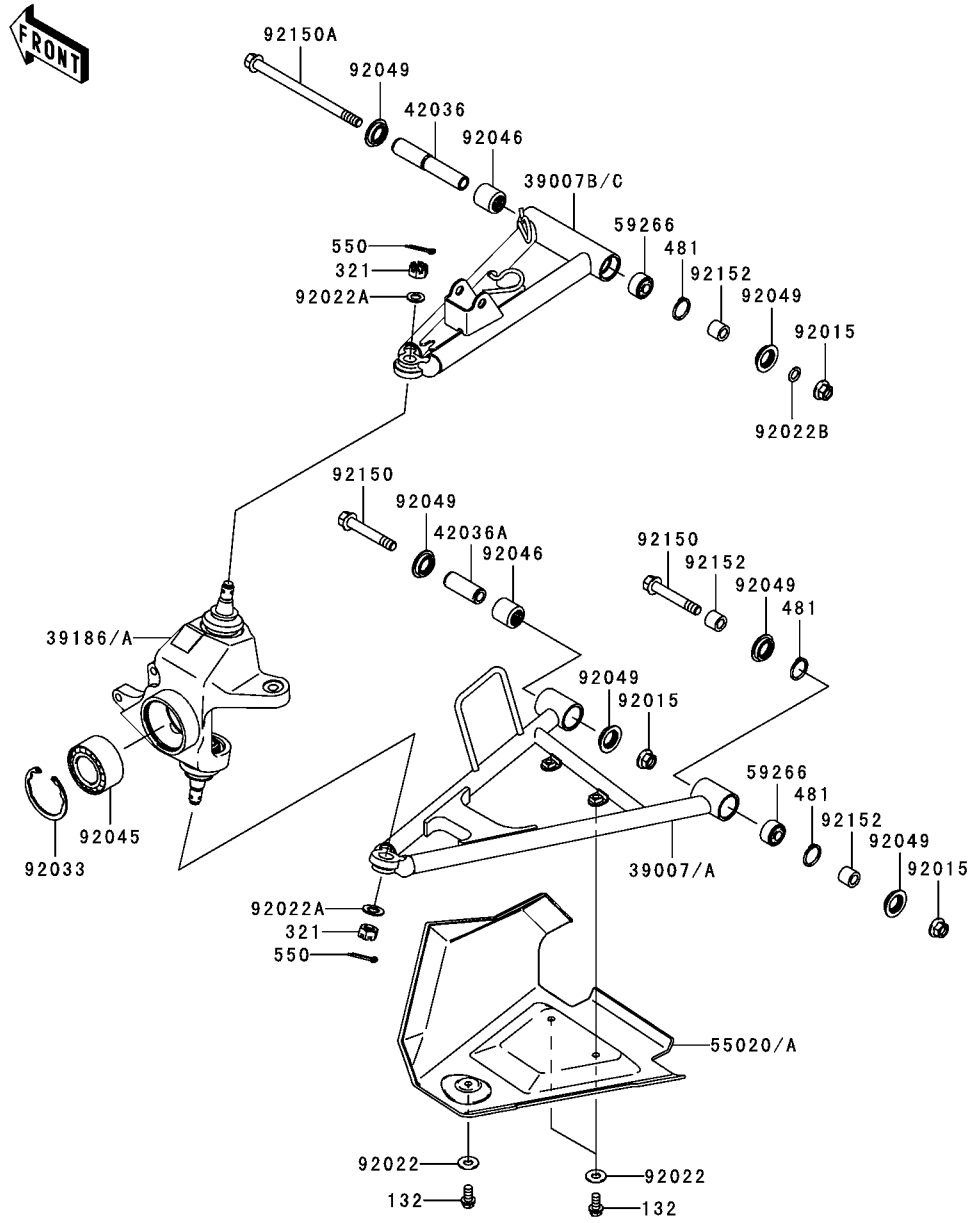
F-10

This grid covers:

Front Suspension(JKAVFDA1 6B524415~)

F2152A

Ref. No.	Part No.	Description	Spec Code	Quantity-KVF750			
				'06	'07		
				A6F	A7F		
132	132J0612	BOLT-FLANGED-SMALL,6X12					
		L-----	AS	6	6		
321	321H1200	NUT-CASTLE,12MM					
		L-----	AS	4	4		
481	481J2400	CIRCLIP					
		L-----	AS	6	6		
550	550D3025	PIN-COTTER,3.0X25					
		L-----	AS	4	4		



This catalog covers:

'06~'07 KVF750 A6F/A7F Chassis

GRID NO.

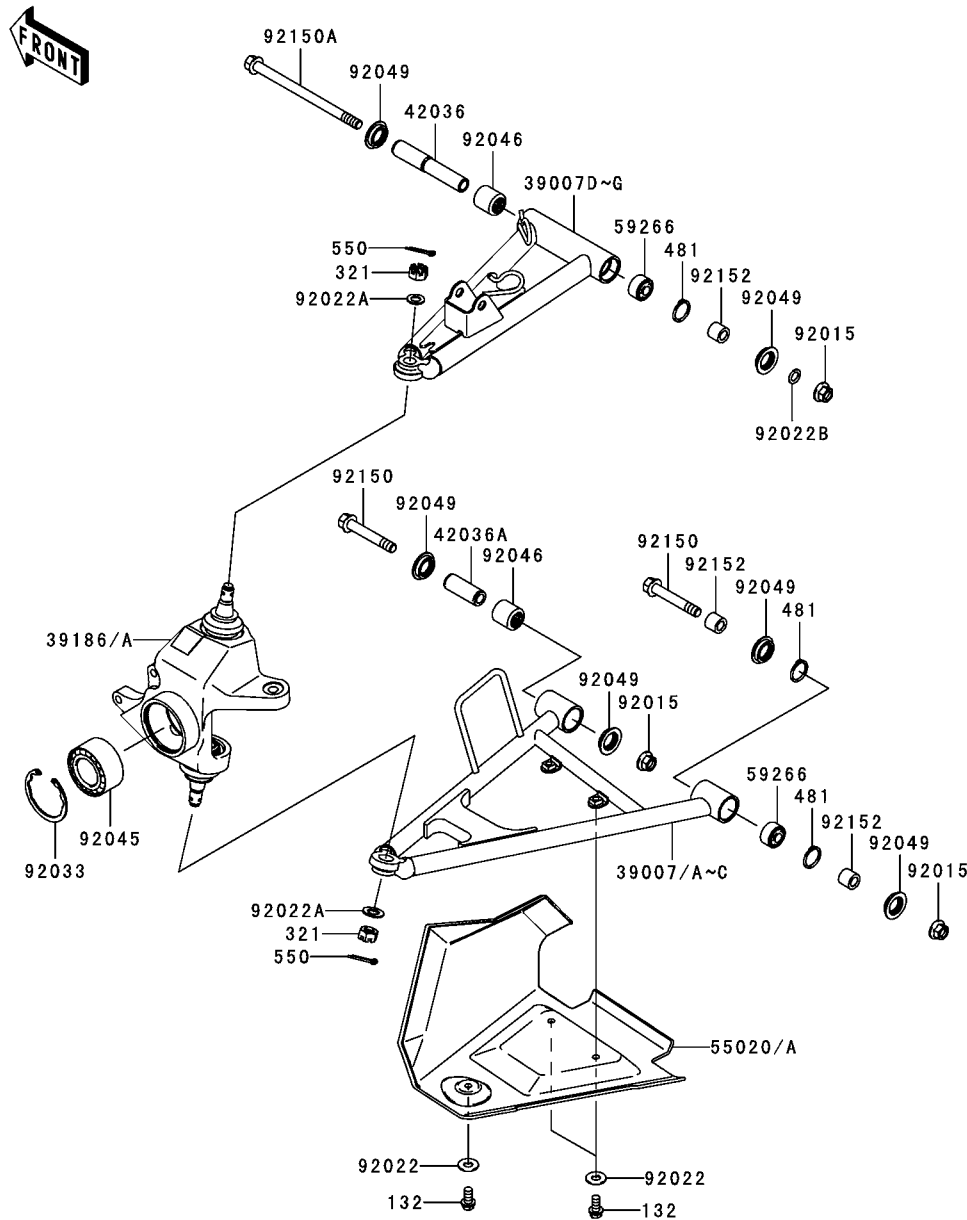
F-11

This grid covers:

Front Suspension(1/2)(EU,UK)

F2152B

Ref. No.	Part No.	Description	Spec Code	Quantity-KVF750			
				'06	'07		
				A6F	A7F		
39007	39007-0040	ARM-SUSP,FR,LWR,LH					
	L-----				EU,UK	1	
39007A	39007-0041	ARM-SUSP,FR,LWR,RH					
	L-----				EU,UK	1	
39007B	39007-0064	ARM-SUSP,FR,LWR,LH					
	L-----				EU,UK	1	
39007C	39007-0065	ARM-SUSP,FR,LWR,RH					
	L-----				EU,UK	1	
39007D	39007-0066	ARM-SUSP,FR,UPP,LH					
	L-----				EU,UK	1	
39007E	39007-0067	ARM-SUSP,FR,UPP,RH					
	L-----				EU,UK	1	
39007F	39007-7507	ARM-SUSP,FR,UPP,LH					
	L-----				EU,UK	1	
39007G	39007-7508	ARM-SUSP,FR,UPP,RH					
	L-----				EU,UK	1	
39186	39186-0033	KNUCKLE ASSY,FR,LH					
	L-----				EU,UK	1	1
39186A	39186-0034	KNUCKLE ASSY,FR,RH					
	L-----				EU,UK	1	1
42036	42036-0016	SLEEVE,SUSPENSION ARM					
	L-----				EU,UK	2	2
42036A	42036-1376	SLEEVE					
	L-----				EU,UK	2	2
55020	55020-0109-6Z	GUARD,FRONT ARM,LH,F.BLACK					
	L-----				EU,UK	1	1
55020A	55020-0110-6Z	GUARD,FRONT ARM,RH,F.BLACK					
	L-----				EU,UK	1	1
59266	59266-0013	JOINT-BALL					
	L-----				EU,UK	4	4
92015	92015-1415	NUT,FLANGED,10MM					
	L-----				EU,UK	6	6
92022	92022-024	WASHER,7X16X1.2					
	L-----				EU,UK	6	6
92022A	92022-1065	WASHER,12.3X22X1.6					
	L-----				EU,UK	4	4
92022B	92022-1829	WASHER,10.2X16X1					
	L-----				EU,UK	AR	AR
92033	92033-1274	RING-SNAP,55MM					
	L-----				EU,UK	2	2
92045	92045-1448	BEARING-BALL,30BWD08A					
	L-----				EU,UK	2	2



This catalog covers:

'06~'07 KVF750 A6F/A7F Chassis

GRID NO.

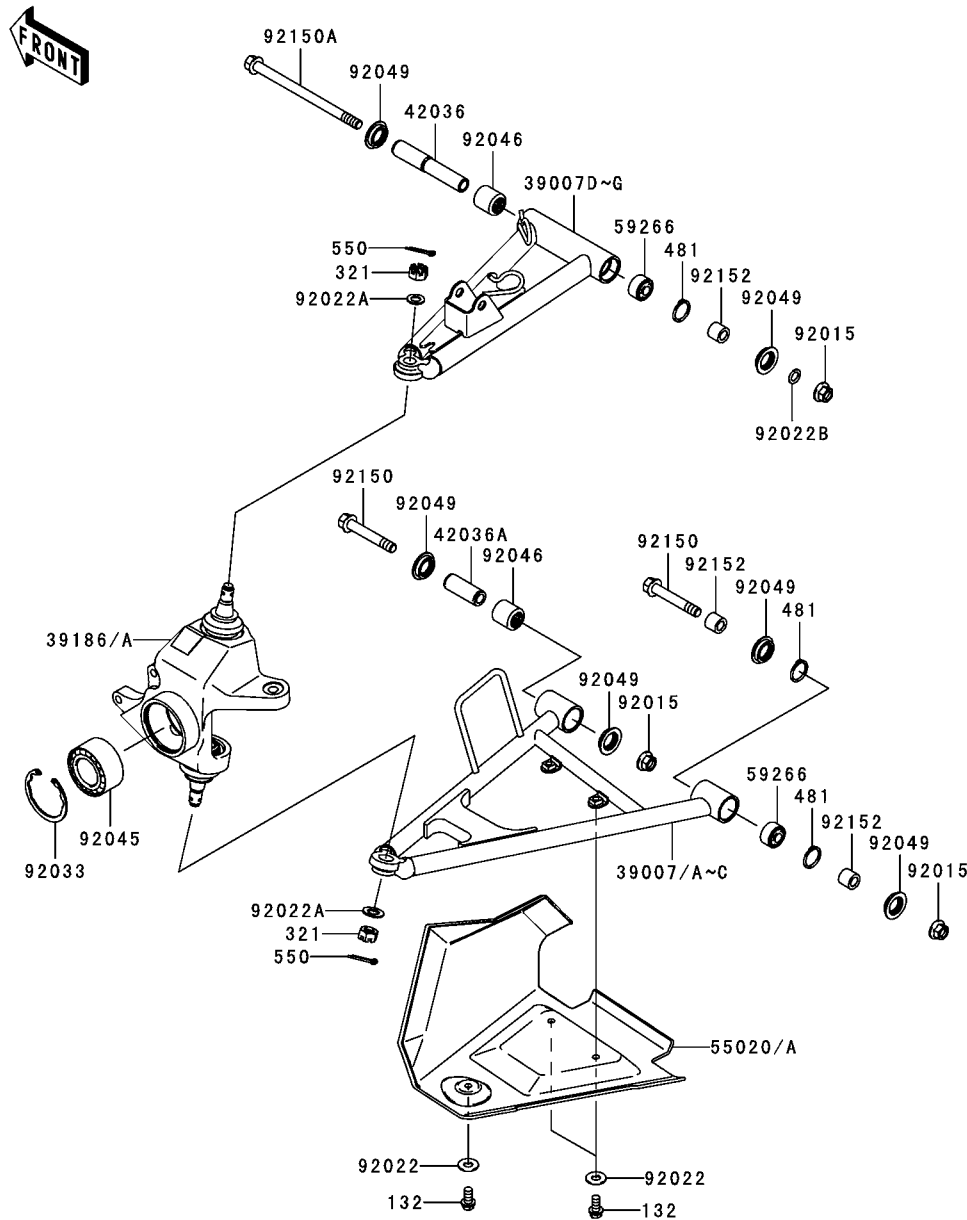
F-12

This grid covers:

Front Suspension(2/2)(EU,UK)

F2152B

Ref. No.	Part No.	Description	Spec Code	Quantity-KVF750	
				'06	'07
				A6F	A7F
92046	92046-1046	BEARING-NEEDLE			
	L-----		EU,UK	4	4
92049	92049-1223	SEAL-OIL,MHA17245.7F			
	L-----		EU,UK	12	12
92150	92150-1384	BOLT,FLANGED,10X63			
	L-----		EU,UK	4	4
92150A	92150-1686	BOLT,FLANGED,10X150			
	L-----		EU,UK	2	2
92152	92152-1455	COLLAR,10X17X14.5			
	L-----		EU,UK	6	6
132	132J0612	BOLT-FLANGED-SMALL,6X12			
	L-----		EU,UK	6	6
321	321H1200	NUT-CASTLE,12MM			
	L-----		EU,UK	4	4
481	481J2400	CIRCLIP			
	L-----		EU,UK	6	6
550	550D3025	PIN-COTTER,3.0X25			
	L-----		EU,UK	4	4



This catalog covers:

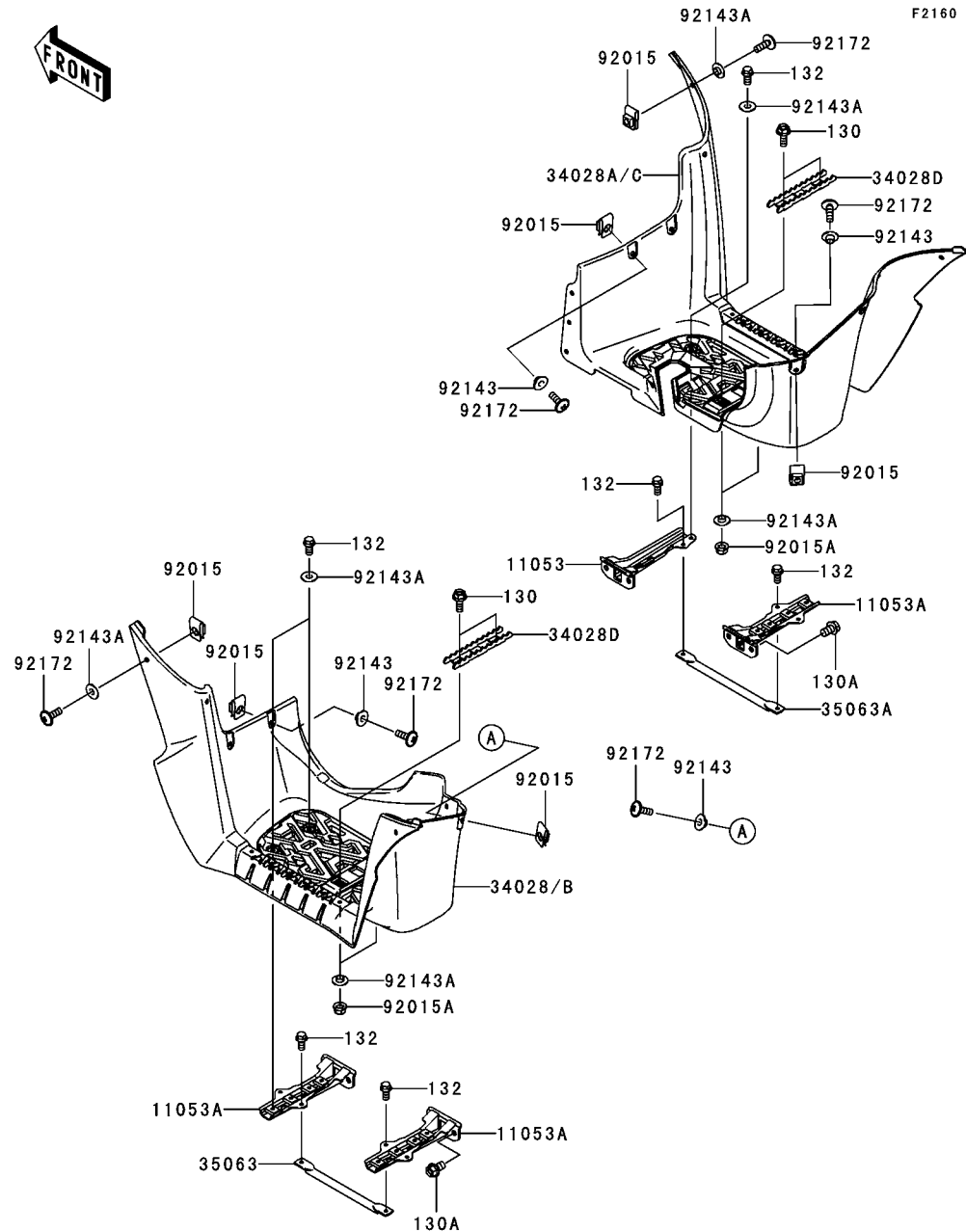
'06~'07 KVF750 A6F/A7F Chassis

GRID NO.

F-14

This grid covers:

Footrests



Ref. No.	Part No.	Description	Spec Code	Quantity-KVF750			
				'06	'07		
				A6F	A7F		
11053	11053-0994	BRACKET,FOOT BOARD,RH		1		1	
11053A	11053-0996	BRACKET,FOOT BOARD		3		3	
34028	34028-0021-6Z	STEP,FOOT BOARD,LH,F.BLACK		1			
34028A	34028-0022-6Z	STEP,FOOT BOARD,RH,F.BLACK		1			
34028B	34028-0054-6Z	STEP,FOOT BOARD,LH,F.BLACK				1	
34028C	34028-0055-6Z	STEP,FOOT BOARD,RH,F.BLACK				1	
34028D	34028-1487-21	STEP,FOOT PEG,F.BLACK		2		2	
35063	35063-0098	STAY,STEP,LH		1		1	
35063A	35063-0099	STAY,STEP,RH		1		1	
92015	92015-1602	NUT,6MM		17		17	
92015A	92015-1603	NUT,LOCK,FLANGED,6MM		4		4	
92143	92143-1057	COLLAR		4		4	
92143A	92143-1087	COLLAR		24		24	
92172	92172-0002	SCREW,6X18		17		17	
130	130J0616	BOLT-FLANGED,6X16		4		4	
130A	130S1016	BOLT-FLANGED,10X16		8		8	
132	132J0612	BOLT-FLANGED-SMALL,6X12		11		11	

This catalog covers:

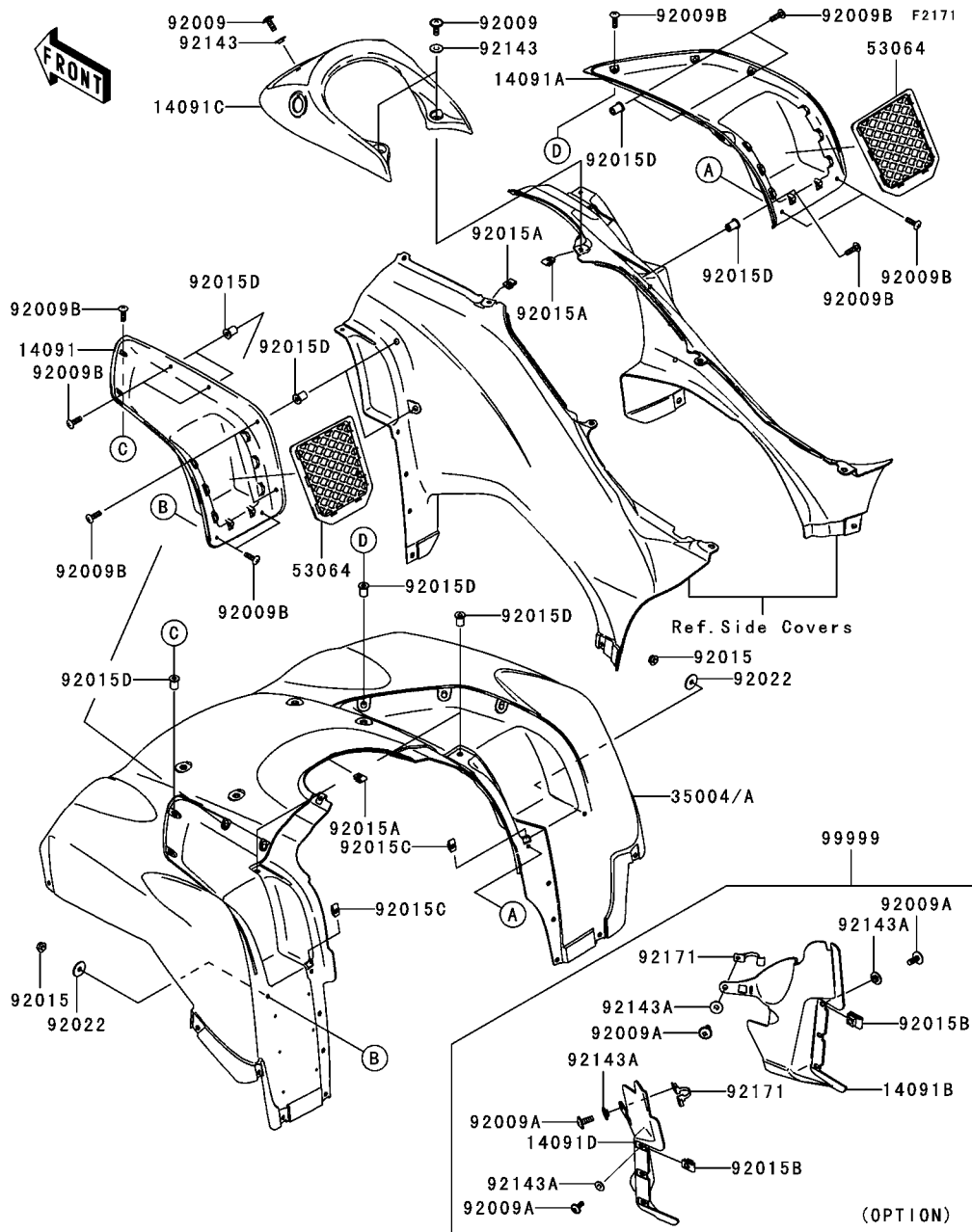
'06~'07 KVF750 A6F/A7F Chassis

GRID NO.

G-3

This grid covers:

Front Fender(s)



Ref. No.	Part No.	Description	Spec Code	Quantity-KVF750			
				'06	'07		
				A6F	A7F		
14091	14091-0135-6Z	COVER,POCKET,LH,F.BLACK		1	1		
14091A	14091-0136-6Z	COVER,POCKET,RH,F.BLACK		1	1		
14091B	14091-0179	COVER,SIDE,INNER,RH		1	1		
	(OPTION)						
14091C	14091-0270-6Z	COVER,TOP,F.BLACK		1	1		
14091D	14091-0337	COVER,SIDE,INNER,LH		1	1		
	(OPTION)						
35004	35004-0047-260	FENDER-FRONT,A.RED				1	
	L-----						
	AS					1	
35004A	35004-0047-286	FENDER-FRONT,W.GREEN					
	L-----						
	EU,UK					1	1
53064	53064-0002	NET-CARGO		2	2		
92009	92009-1621	SCREW,6X16		3	3		
92009A	92009-1621	SCREW,6X16		8	8		
	(OPTION)						
92009B	92009-1655	SCREW,5X18		17	17		
92015	92015-1259	NUT,FLANGED,5MM		2	2		
92015A	92015-1602	NUT,6MM		3	3		
92015B	92015-1602	NUT,6MM		6	6		
	(OPTION)						
92015C	92015-1710	NUT,5MM		2	2		
92015D	92015-1757	NUT,WELL,5MM		15	15		
92022	92022-1581	WASHER,5.5X20X1.2		2	2		
92143	92143-1087	COLLAR		3	3		
92143A	92143-1087	COLLAR		8	8		
	(OPTION)						
92171	92171-0223	CLAMP		2	2		
	(OPTION)						
99999	99999-0055	INNER FENDER KIT		1	1		
	(OPTION)						

This catalog covers:

'06~'07 KVF750 A6F/A7F Chassis

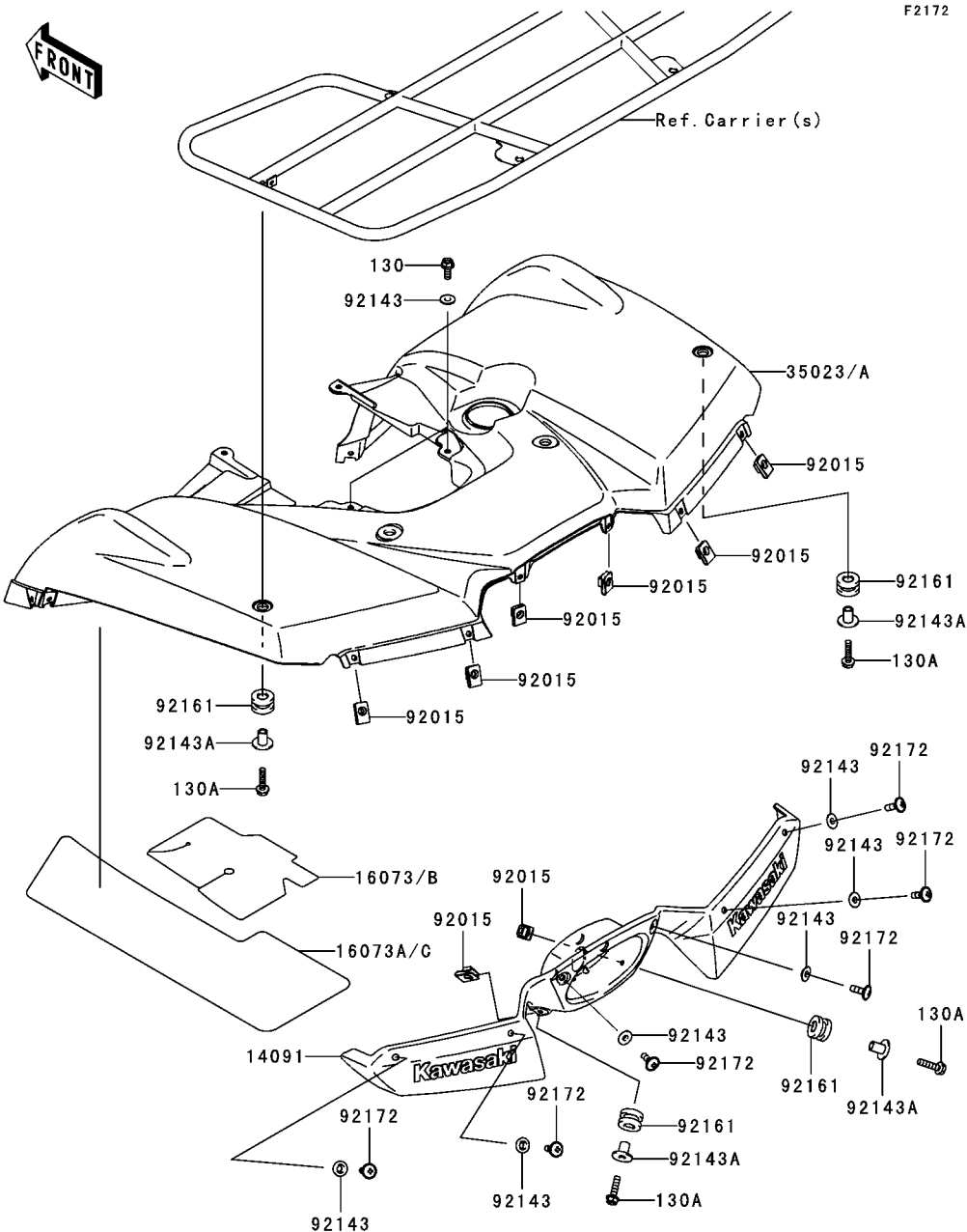
GRID NO.

G-4

This grid covers:

Rear Fender(s)

F2172



Ref. No.	Part No.	Description	Spec Code	Quantity-KVF750			
				'06	'07		
				A6F	A7F		
14091	14091-0252-6Z	COVER, TAIL LAMP, F. BLACK		1	1		
16073	16073-0013	INSULATOR, REAR FENDER, INNER		1			
16073A	16073-0014	INSULATOR, REAR FENDER, OUTER		1			
16073B	16073-0031	INSULATOR, REAR FENDER, INNER			1		
16073C	16073-0032	INSULATOR, REAR FENDER, OUTER			1		
35023	35023-0050-260	FENDER-REAR, A. RED				1	
		L-----AS				1	
35023A	35023-0050-286	FENDER-REAR, W. GREEN					
		L-----EU, UK				1	1
92015	92015-1602	NUT, 6MM		8	8		
92143	92143-1087	COLLAR		8	8		
92143A	92143-1960	COLLAR		4	4		
92161	92161-0106	DAMPER		4	4		
92172	92172-0002	SCREW, 6X18		6	6		
130	130J0616	BOLT-FLANGED, 6X16		2	2		
130A	130J0625	BOLT-FLANGED, 6X25		4	4		

This catalog covers:

'06~'07 KVF750 A6F/A7F Chassis

GRID NO.

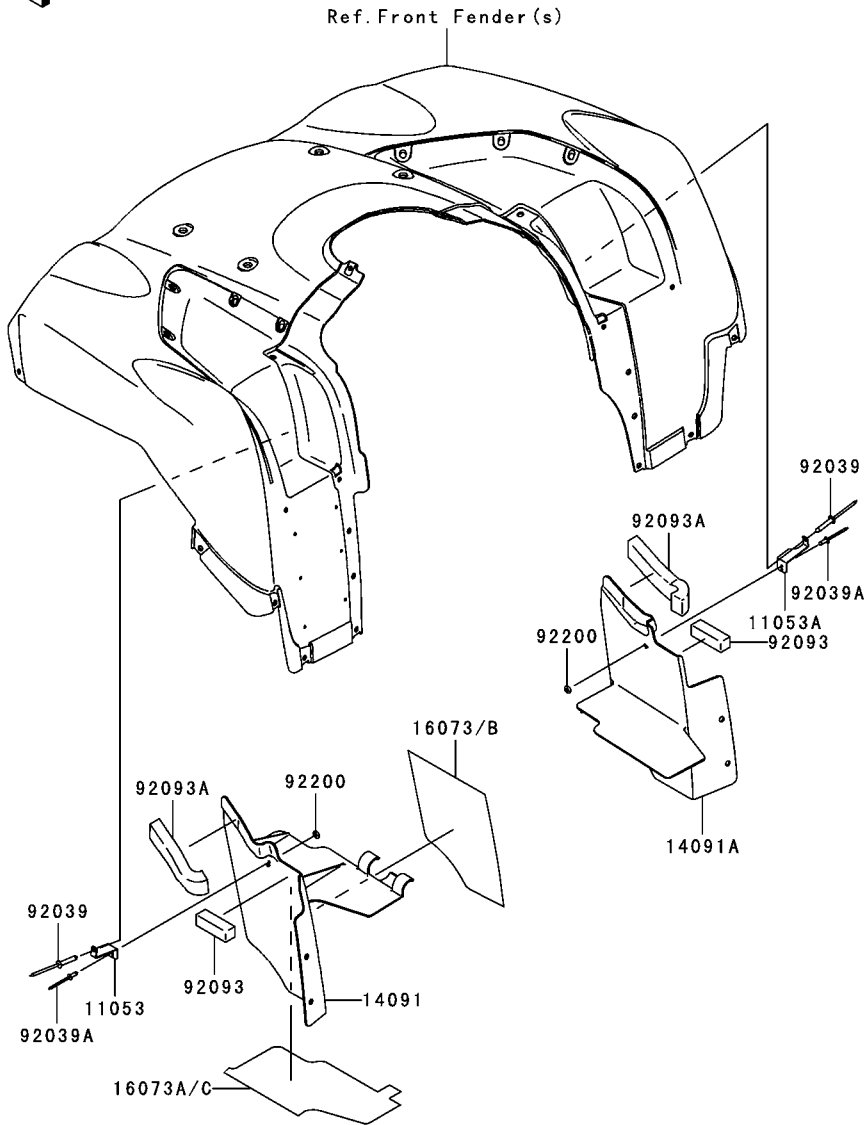
G-5

This grid covers:

Flap

F2173

Ref. No.	Part No.	Description	Spec Code	Quantity-KVF750			
				'06	'07		
				A6F	A7F		
11053	11053-1979	BRACKET,INNER FLAP,LH		1	1		
11053A	11053-1980	BRACKET,INNER FLAP,RH		1	1		
14091	14091-0491	COVER,FRONT FENDER,LH		1	1		
14091A	14091-0492	COVER,FRONT FENDER,RH		1	1		
16073	16073-0028	INSULATOR,INNER FLAP,LH,LWR		1			
16073A	16073-0029	INSULATOR,INNER FLAP,LH,UPP		1			
16073B	16073-0037	INSULATOR,INNER FLAP,LH,LWR			1		
16073C	16073-0038	INSULATOR,INNER FLAP,LH,UPP			1		
92039	92039-1260	RIVET		2	2		
92039A	92039-3763	RIVET,3.2X8		2	2		
92093	92093-0038	SEAL,FR FENDER		2	2		
92093A	92093-1580	SEAL		2	2		
92200	92200-1251	WASHER,3.5X8X1		2	2		



This catalog covers:

'06~'07 KVF750 A6F/A7F Chassis

GRID NO.

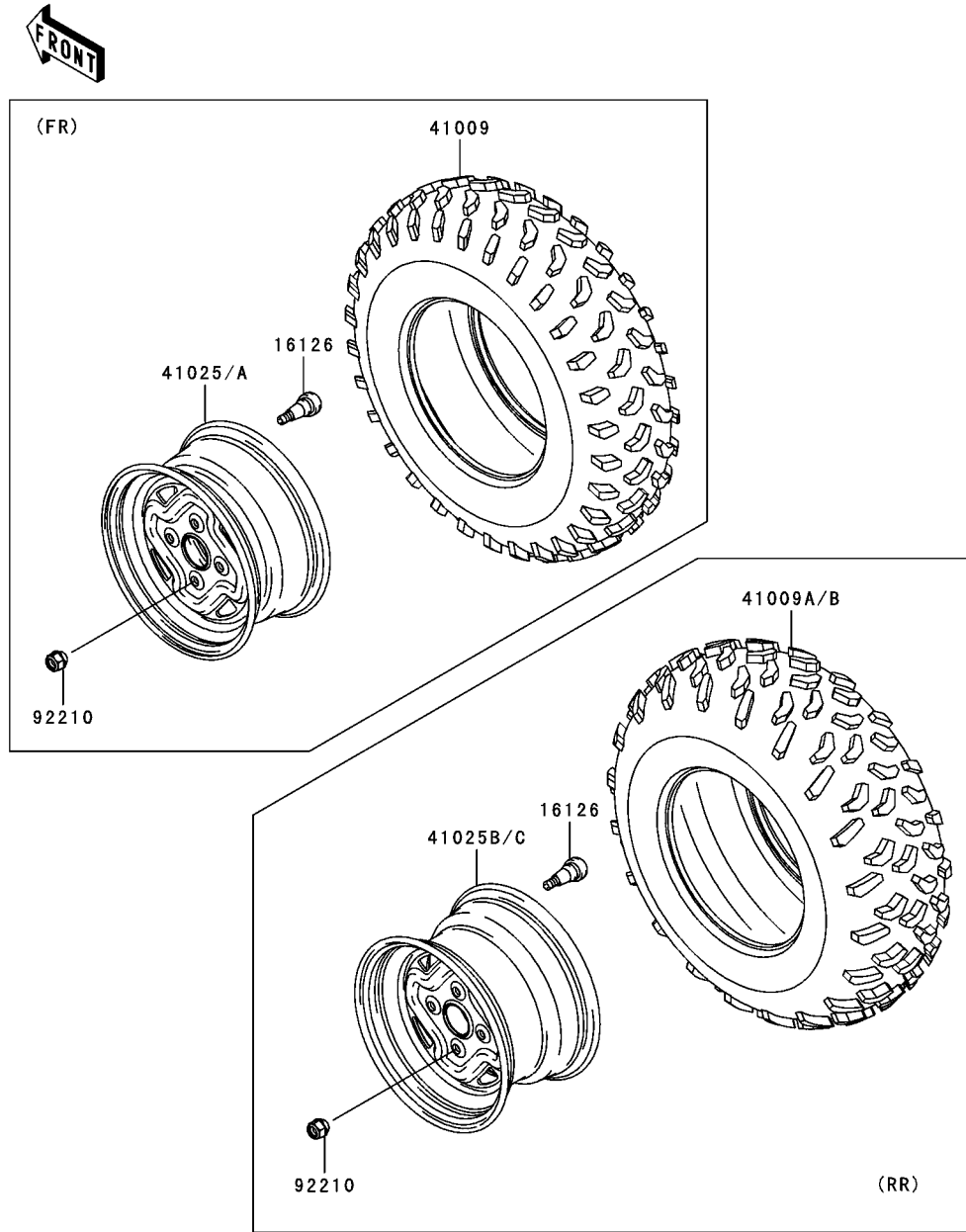
G-6

This grid covers:

Tires

F2210

Ref. No.	Part No.	Description	Spec Code	Quantity-KVF750			
				'06	'07		
				A6F	A7F		
16126	16126-4001	VALVE		4	4		
41009	41009-0039	TIRE,FR,AT25X8-12,KT191(D)		2	2		
41009A	41009-0053	TIRE,RR,AT25X10-12,KT195(D)		2			
41009B	41009-0112	TIRE,RR,AT25X10-12,KT195(D)			2		
41025	41025-0043-379	RIM,FR,12X6.0AT,M.GRAYSTONE		2			
41025A	41025-0043-397	RIM,FR,12X6.0AT,F.S.BLACK			2		
41025B	41025-0044-379	RIM,RR,12X7.5AT,M.GRAYSTONE		2			
41025C	41025-0044-397	RIM,RR,12X7.5AT,F.S.BLACK			2		
92210	92210-0203	NUT,LOCK,10MM		16	16		



This catalog covers:

'06~'07 KVF750 A6F/A7F Chassis

GRID NO.

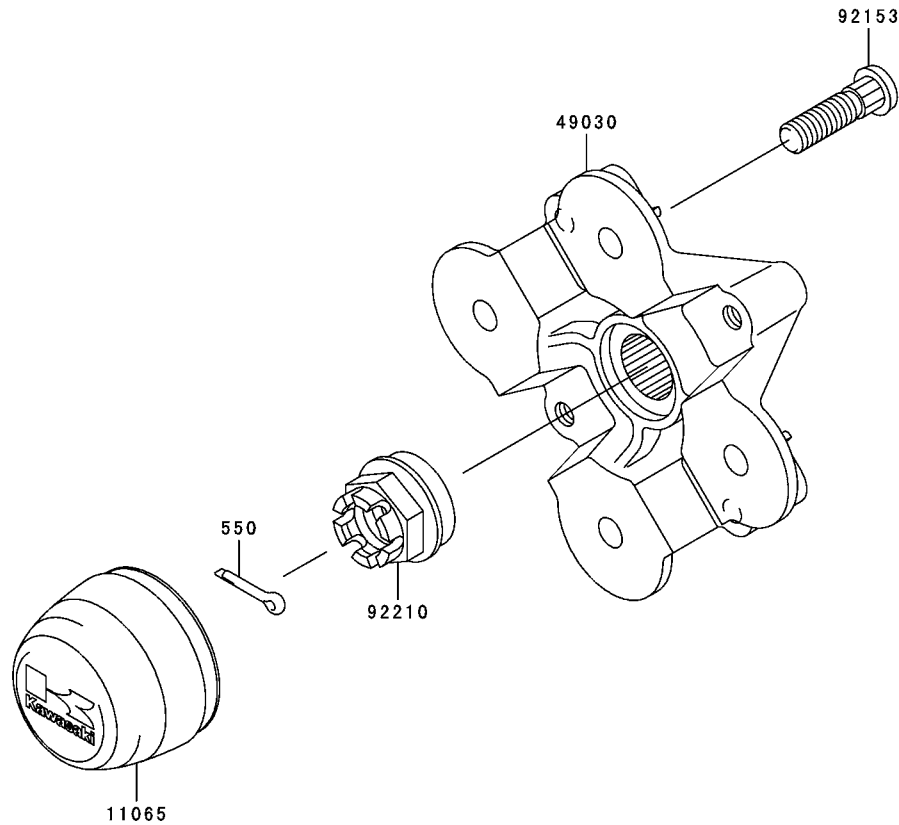
G-7

This grid covers:

Front Hub

F2230

Ref. No.	Part No.	Description	Spec Code	Quantity-KVF750			
				'06	'07		
				A6F	A7F		
11065	11065-0108	CAP,WHEEL		2	2		
49030	49030-0013	HUB,FR		2	2		
92153	92153-0890	BOLT,10X36.5		8	8		
92210	92210-1349	NUT,CASTLE,18MM		2	2		
550	550D4025	PIN-COTTER,4.0X25		2	2		



This catalog covers:

'06~'07 KVF750 A6F/A7F Chassis

GRID NO.

G-8

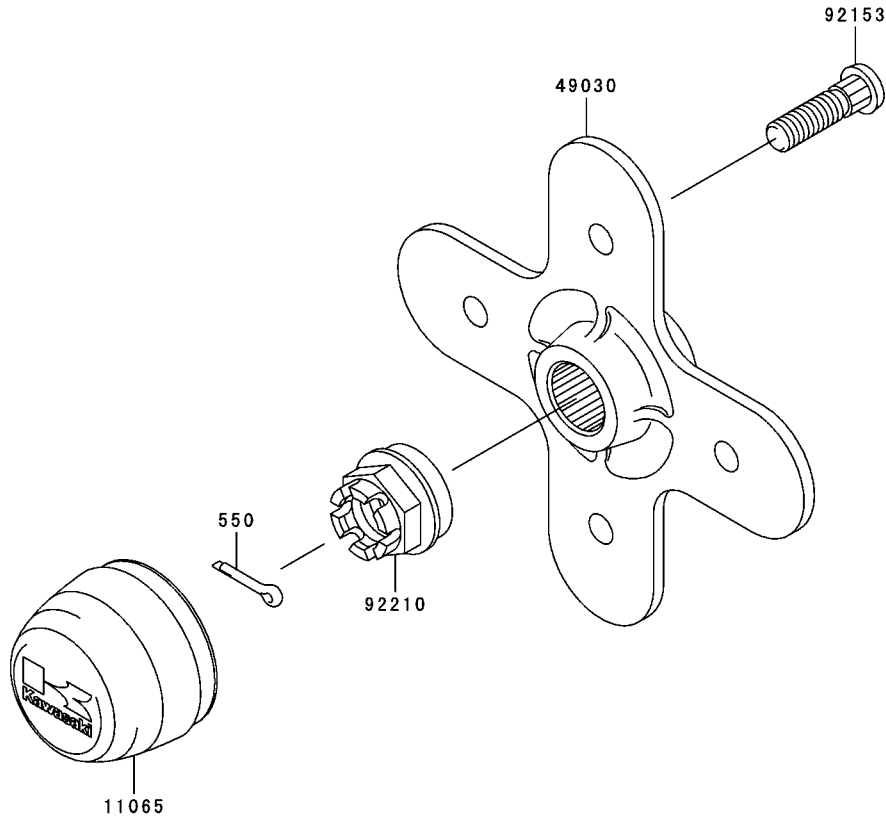
This grid covers:

Rear Hub



F2240

Ref. No.	Part No.	Description	Spec Code	Quantity-KVF750			
				'06	'07		
				A6F	A7F		
11065	11065-0108	CAP,WHEEL		2	2		
49030	49030-0009	HUB,RR		2	2		
92153	92153-0890	BOLT,10X36.5		8	8		
92210	92210-1381	NUT,CASTLE,20MM		2	2		
550	550D4025	PIN-COTTER,4.0X25		2	2		



This catalog covers:

'06~'07 KVF750 A6F/A7F Chassis

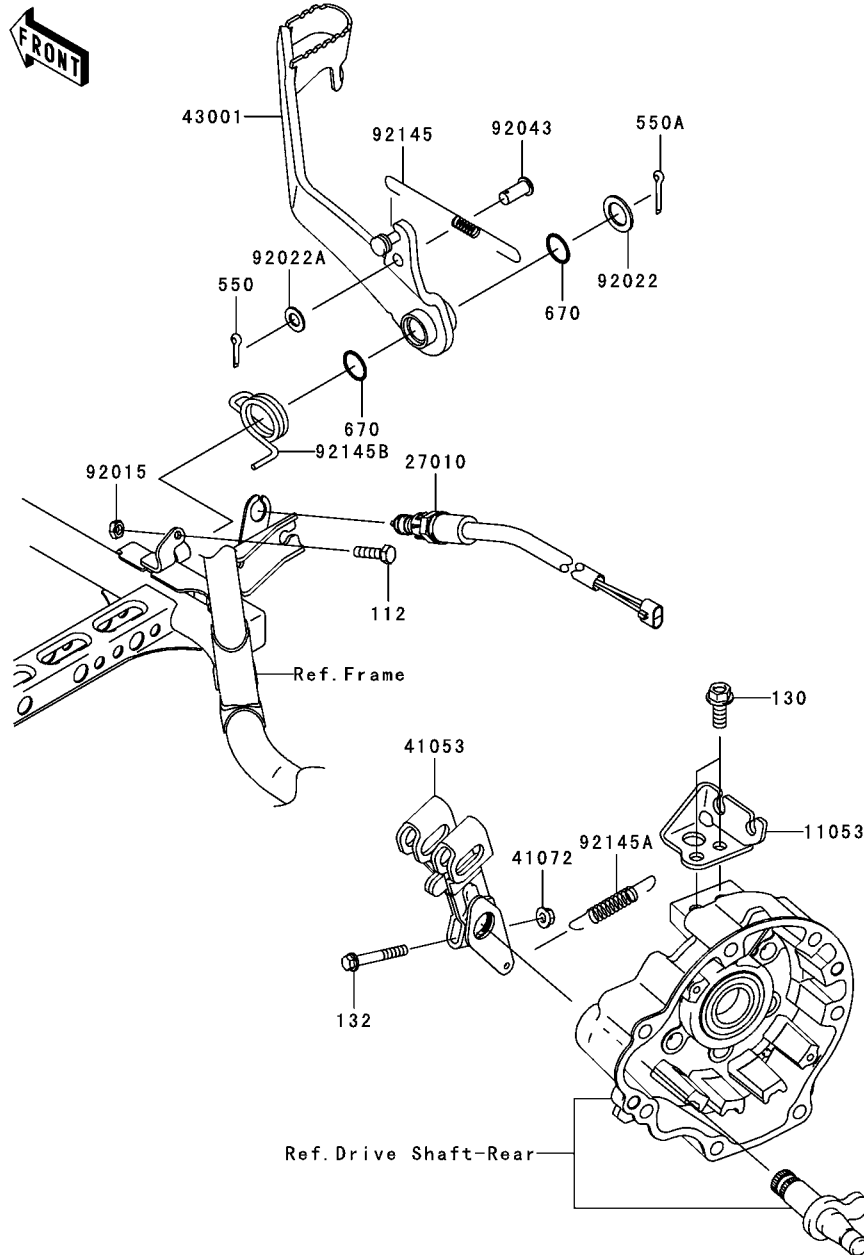
GRID NO.

G-9

This grid covers:

Brake Pedal

F2260



Ref. No.	Part No.	Description	Quantity-KVF750			
			'06	'07		
			A6F	A7F		
11053	11053-0642	BRACKET,BRAKE CABLE	1	1		
27010	27010-1494	SWITCH,BRAKE	1	1		
41053	41053-0006	LEVER-BRAKE CAM	1	1		
41072	41072-007	NUT,6MM	1	1		
43001	43001-0036	LEVER-BRAKE,PEDAL	1	1		
92015	92015-1410	NUT,6MM	1	1		
92022	92022-1049	WASHER,15.5X24X1.6	1	1		
92022A	92022-1582	WASHER,8.5X16X1.2	1	1		
92043	92043-1013	PIN,8X16	1	1		
92145	92145-0144	SPRING,REAR BRAKE SWITCH	1	1		
92145A	92145-1313	SPRING,BRAKE LEVER RETURN	1	1		
92145B	92145-1421	SPRING,BRAKE PEDAL RETURN	1	1		
112	112D0622	BOLT-UPSET,6X22	1	1		
130	130J0820	BOLT-FLANGED,8X20	2	2		
132	132G0640	BOLT-FLANGED-SMALL,6X40	1	1		
550	550D2015	PIN-COTTER,2.0X15	1	1		
550A	550D2022	PIN-COTTER,2.0X22	1	1		
670	670B2015	O RING,15MM	2	2		

This catalog covers:

'06~'07 KVF750 A6F/A7F Chassis

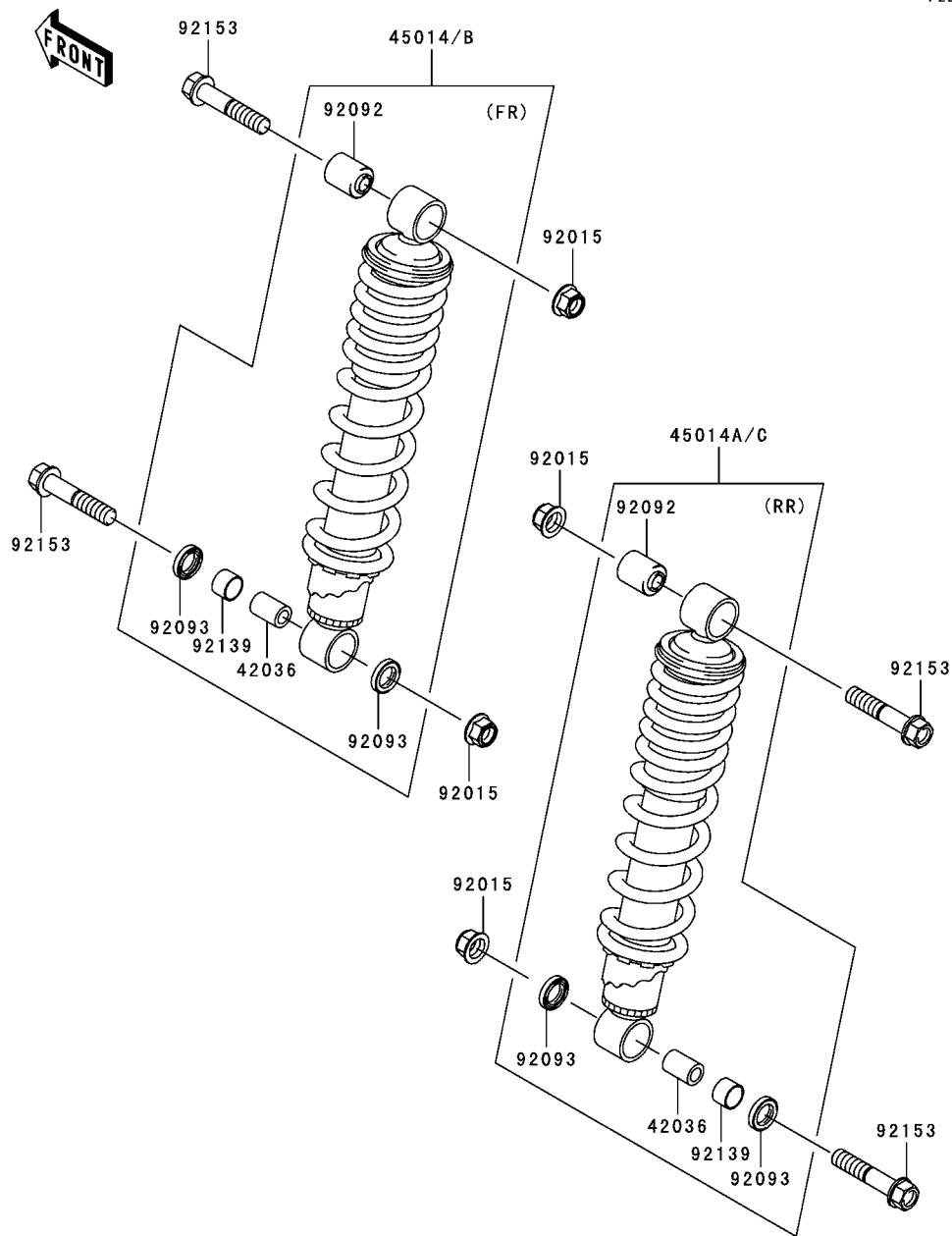
GRID NO.

G-10

This grid covers:

Shock Absorber(s)(AS)

F2280



Ref. No.	Part No.	Description	Spec Code	Quantity-KVF750			
				'06	'07		
				A6F	A7F		
42036	42036-0018	SLEEVE					
		L-----	AS	4	4		
45014	45014-0075	SHOCKABSORBER,FR					
		L-----	AS	2			
45014A	45014-0076	SHOCKABSORBER,RR					
		L-----	AS	2			
45014B	45014-0138	SHOCKABSORBER,FR					
		L-----	AS		2		
45014C	45014-0139	SHOCKABSORBER,RR					
		L-----	AS		2		
92015	92015-1335	NUT,FLANGED,10MM					
		L-----	AS	8	8		
92092	92092-0007	BUSHING-RUBBER					
		L-----	AS	4	4		
92093	92093-0033	SEAL					
		L-----	AS	8	8		
92139	92139-0084	BUSHING					
		L-----	AS	4	4		
92153	92153-1139	BOLT,FLANGED,10X50					
		L-----	AS	8	8		

This catalog covers:

'06~'07 KVF750 A6F/A7F Chassis

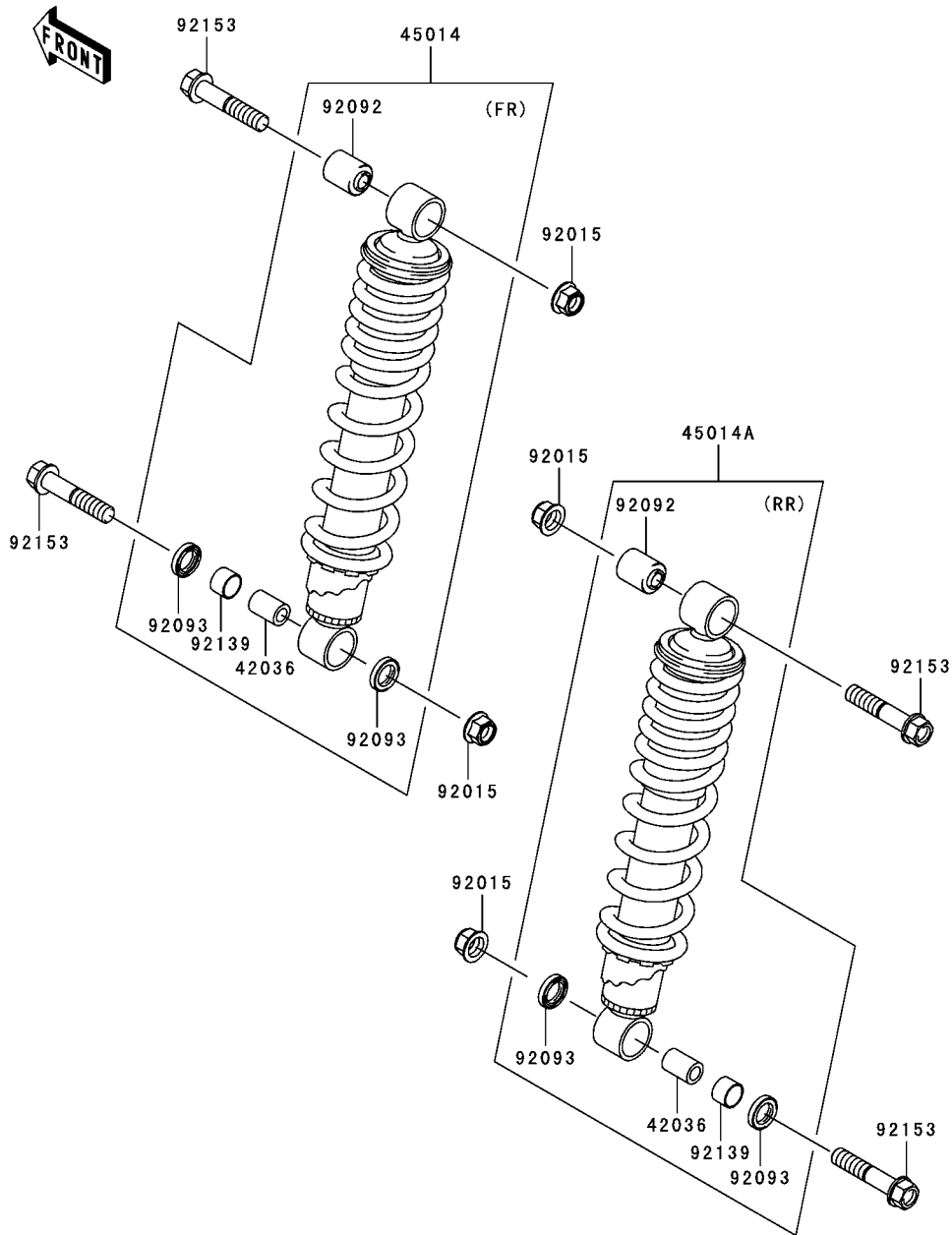
GRID NO.

G-11

This grid covers:

Shock Absorber(≈JKAVF750AAB601707)

F2280A



Ref. No.	Part No.	Description	Spec Code	Quantity-KVF750			
				'06	'07		
42036	42036-0018	SLEEVE					
	L-----		EU,UK	4			
45014	45014-0075	SHOCKABSORBER,FR					
	L-----		EU,UK	2			
45014A	45014-0076	SHOCKABSORBER,RR					
	L-----		EU,UK	2			
92015	92015-1335	NUT,FLANGED,10MM					
	L-----		EU,UK	8			
92092	92092-0007	BUSHING-RUBBER					
	L-----		EU,UK	4			
92093	92093-0033	SEAL					
	L-----		EU,UK	8			
92139	92139-0084	BUSHING					
	L-----		EU,UK	4			
92153	92153-1139	BOLT,FLANGED,10X50					
	L-----		EU,UK	8			

This catalog covers:

'06~'07 KVF750 A6F/A7F Chassis

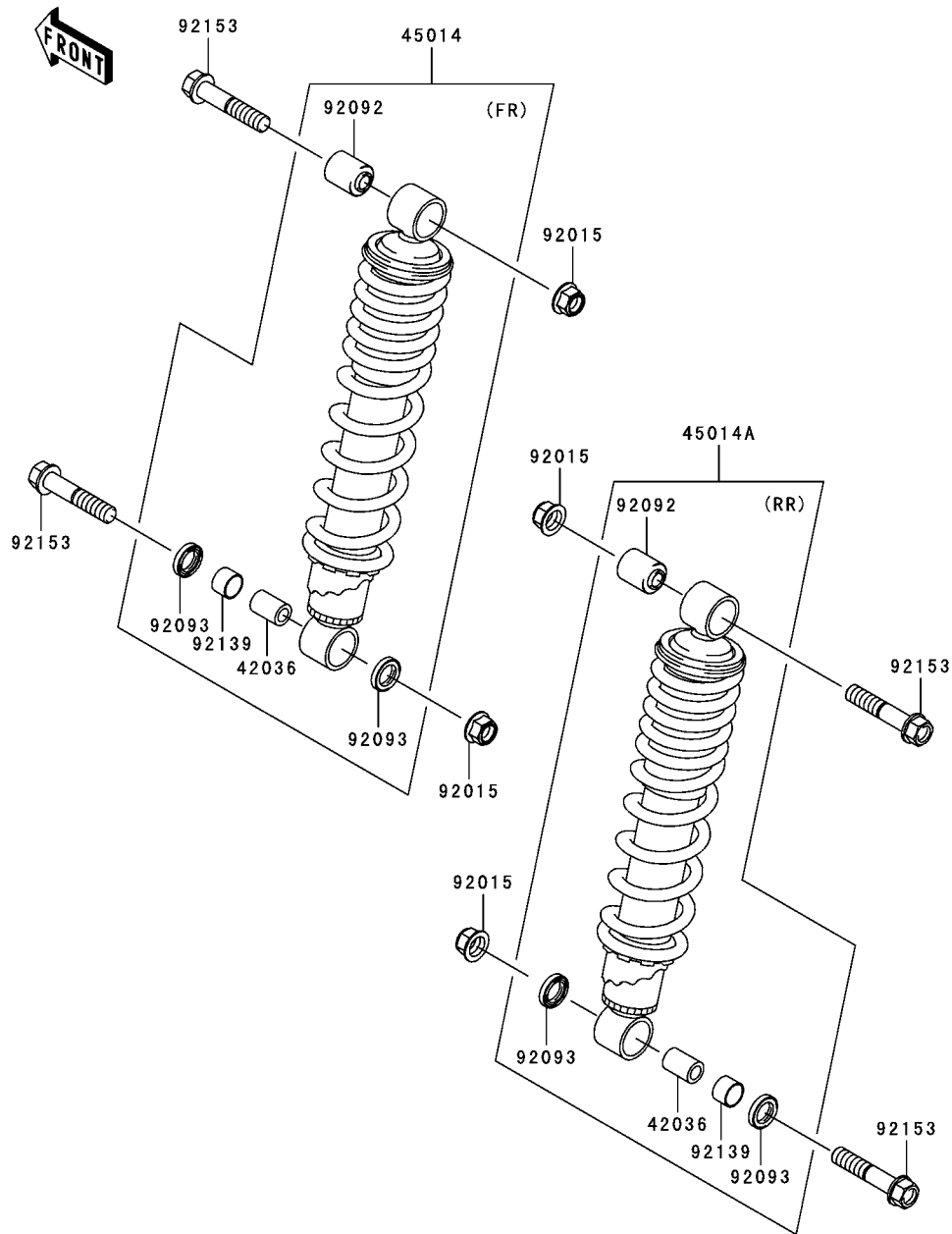
GRID NO.

G-12

This grid covers:

Shock Absorber(JKAVF750AAB601708~)

F2280B



Ref. No.	Part No.	Description	Spec Code	Quantity-KVF750			
				'06	'07		
				A6F	A7F		
42036	42036-0018	SLEEVE					
	L-----		EU,UK	4	4		
45014	45014-0138	SHOCKABSORBER,FR					
	L-----		EU,UK	2	2		
45014A	45014-0139	SHOCKABSORBER,RR					
	L-----		EU,UK	2	2		
92015	92015-1335	NUT,FLANGED,10MM					
	L-----		EU,UK	8	8		
92092	92092-0007	BUSHING-RUBBER					
	L-----		EU,UK	4	4		
92093	92093-0033	SEAL					
	L-----		EU,UK	8	8		
92139	92139-0084	BUSHING					
	L-----		EU,UK	4	4		
92153	92153-1139	BOLT,FLANGED,10X50					
	L-----		EU,UK	8	8		

This catalog covers:

'06~'07 KVF750 A6F/A7F Chassis

GRID NO.

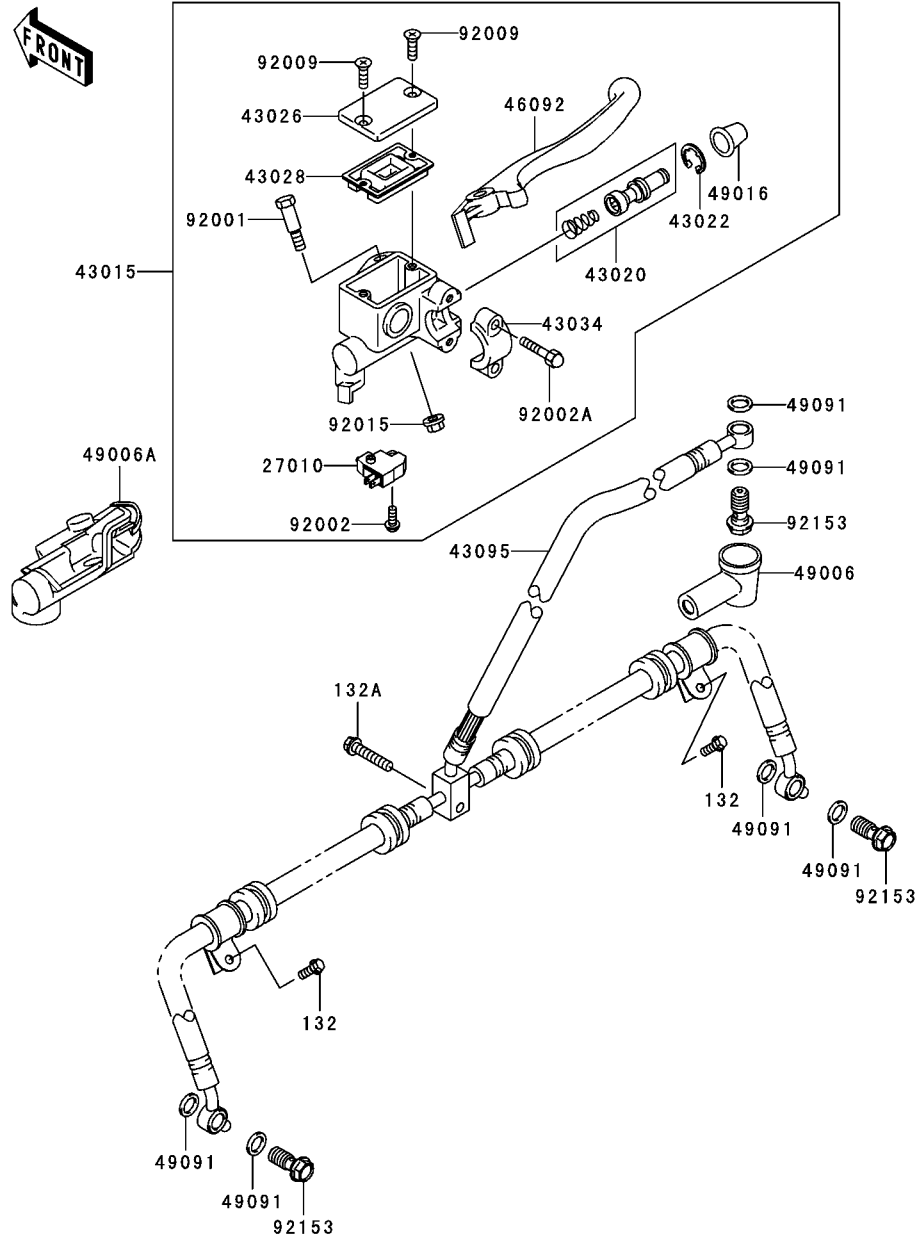
G-13

This grid covers:

Front Master Cylinder

F2291

Ref. No.	Part No.	Description	Spec Code	Quantity-KVF750			
				'06	'07		
				A6F	A7F		
27010	27010-0025	SWITCH,BRAKE		1	1		
43015	43015-0036	CYLINDER-ASSY-MASTER,FR		1	1		
43020	43020-1054	PISTON-COMP-BRAKE,FR		1	1		
43022	43022-1010	STOPPER-BRAKE,PISTON		1	1		
43026	43026-1074	CAP-BRAKE		1	1		
43028	43028-1061	DIAPHRAGM		1	1		
43034	43034-1016	HOLDER-BRAKE,MASTER CYLINDER		1	1		
43095	43095-0078	HOSE-BRAKE,FR		1	1		
46092	46092-1208	LEVER-GRIP,FRONT BRAKE		1	1		
49006	49006-1040	BOOT,DUST		1	1		
49006A	49006-1338	BOOT,RH		1	1		
49016	49016-1044	COVER-SEAL,MASTER CYLINDER		1	1		
49091	49091-0001	WASHER-SEAL,10.1X14.5X1.5		6	6		
92001	92001-1728	BOLT,FRONT BRAKE LEVER		1	1		
92002	92002-1323	BOLT,SCREW,4X12		1	1		
92002A	92002-1894	BOLT		2	2		
92009	92009-1458	SCREW,4MM		2	2		
92015	92015-1233	NUT,FLANGED,6MM,BLACK		1	1		
92153	92153-0627	BOLT,OIL,L=23		3	3		
132	132J0512	BOLT-FLANGED-SMALL,5X12		2	2		
132A	132J0630	BOLT-FLANGED-SMALL,6X30		1	1		



This catalog covers:

'06~'07 KVF750 A6F/A7F Chassis

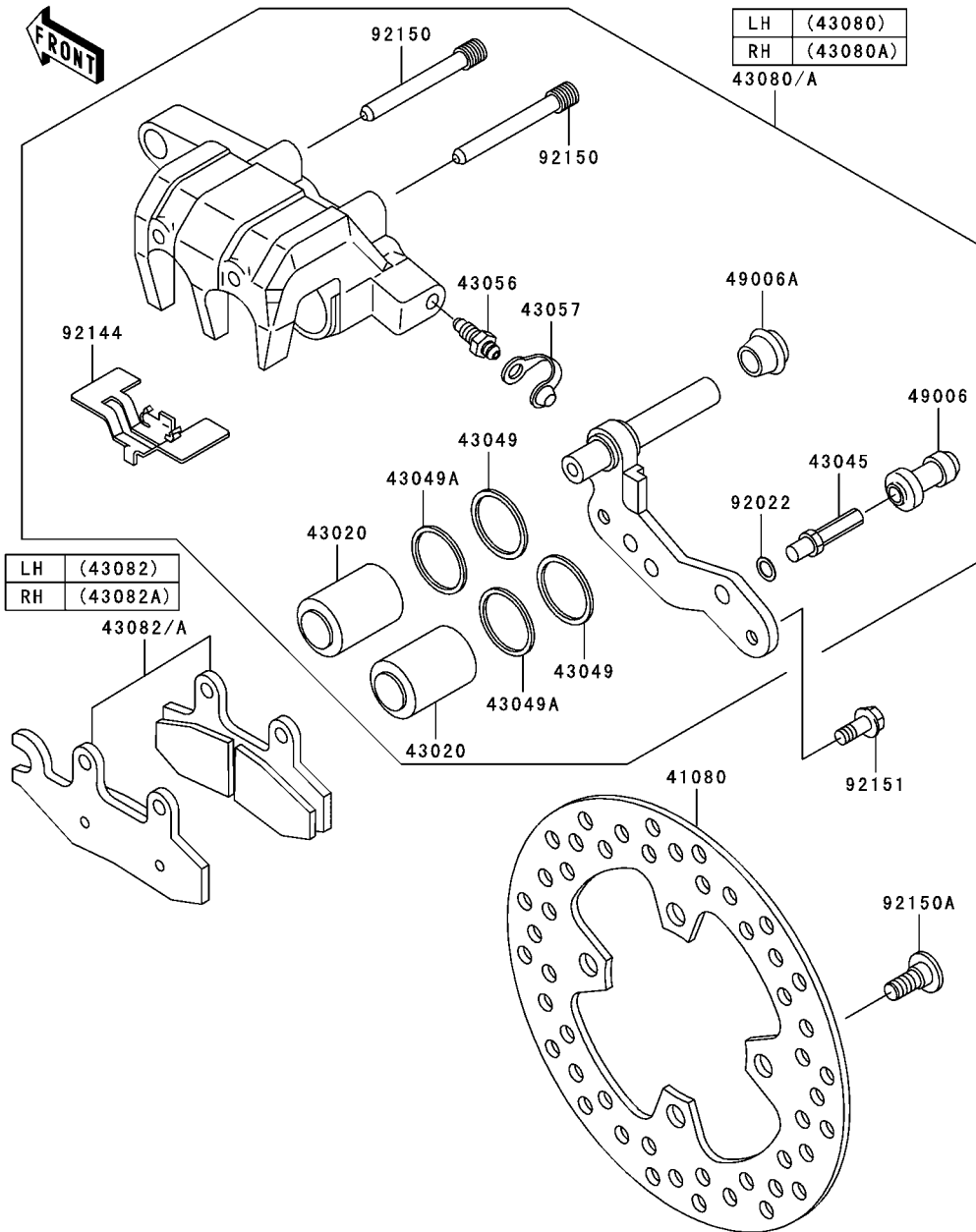
GRID NO.

G-14

This grid covers:

Front Brake

F2292



Ref. No.	Part No.	Description	Spec Code	Quantity-KVF750			
				'06	'07		
				A6F	A7F		
41080	41080-1513	DISC,FR	2	2			
43020	43020-1101	PISTON-COMP-BRAKE	4	4			
43045	43045-1010	SHAFT-CALIPER	2	2			
43049	43049-1063	PACKING	4	4			
43049A	43049-1064	PACKING	4	4			
43056	43056-1055	BREATHER	2	2			
43057	43057-1001	CAP-BREATHER	2	2			
43080	43080-0019-DJ	CALIPER-SUB-ASSY,FR,LH,BLACK	1	1			
43080A	43080-0020-DJ	CALIPER-SUB-ASSY,FR,RH,BLACK	1	1			
43082	43082-0022	PAD-ASSY-BRAKE,FR,LH	1	1			
43082A	43082-0023	PAD-ASSY-BRAKE,FR,RH	1	1			
49006	49006-1088	BOOT,CALIPER	2	2			
49006A	49006-1242	BOOT,CALIPER	2	2			
92022	92022-1373	WASHER,WAVE	2	2			
92144	92144-1319	SPRING,PAD	2	2			
92150	92150-1144	BOLT	4	4			
92150A	92150-1800	BOLT,SOCKET,8X20	8	8			
92151	92151-1793	BOLT,FLANGED,8X19	4	4			

This catalog covers:

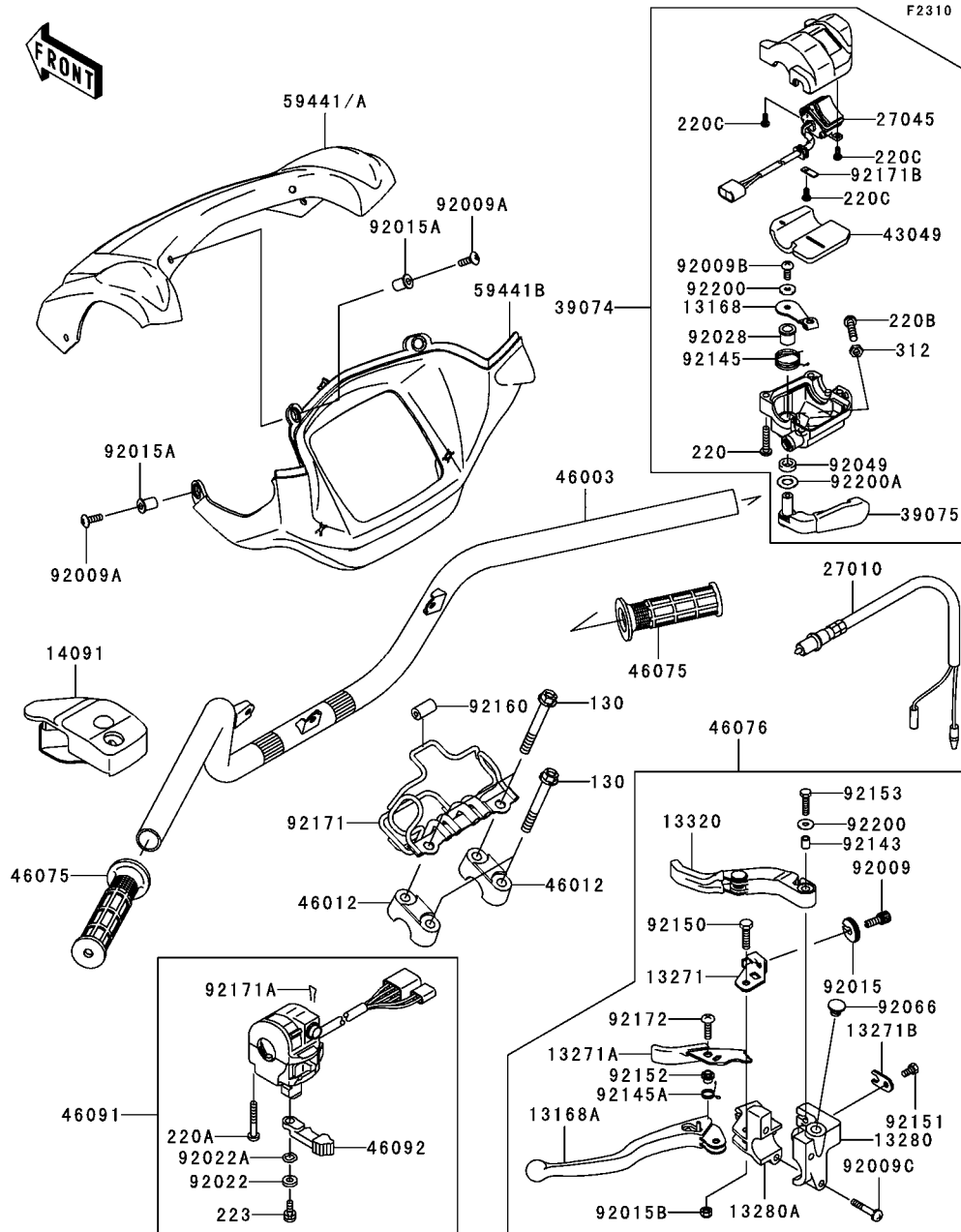
'06~'07 KVF750 A6F/A7F Chassis

GRID NO.

H-3

This grid covers:

Handlebar(1/2)



Ref. No.	Part No.	Description	Spec Code	Quantity-KVF750			
				'06	'07		
				A6F	A7F		
13168	13168-1715	LEVER		1	1		
13168A	13168-1736	LEVER,LH		1	1		
13271	13271-1259	PLATE,LOCK		1	1		
13271A	13271-1635	PLATE,LEVER LOCK		1	1		
13271B	13271-1636	PLATE,WIRE OUTER STOPPER		1	1		
13280	13280-1226	HOLDER,DIFF LOCK LEVER		1	1		
13280A	13280-1227	HOLDER,LEVER,LH		1	1		
13320	13320-1018	LEVER-ASSY,DEFF LOCK		1	1		
14091	14091-1403	COVER,DIFF LOCK LEVER		1	1		
27010	27010-1294	SWITCH,BRAKE		1	1		
27045	27045-1081	SWITCH-ASSY		1	1		
39074	39074-1062	LEVER-ASSY-THROTTLE		1	1		
39075	39075-1062	LEVER-THROTTLE		1	1		
43049	43049-1088	PACKING		1	1		
46003	46003-1580	HANDLE		1	1		
46012	46012-1168	HOLDER-HANDLE		2	2		
46075	46075-7501	GRIP,HANDLE		2	2		
46076	46076-1238	LEVER-ASSY-GRIP,DEFF LOCK		1	1		
46091	46091-1847	HOUSING-ASSY-CONTROL,LH		1	1		
46092	46092-1217	LEVER-GRIP,CHOKE		1	1		
59441	59441-0005-260	COVER-HANDLE,FR,A.RED			1		
		L----- AS		1			
59441A	59441-0005-286	COVER-HANDLE,FR,W.GREEN					
		L----- EU,UK		1	1		
59441B	59441-0006-6Z	COVER-HANDLE,RR,F.BLACK		1	1		
92009	92009-1435	SCREW,CABLE ADJUST,8MM		1	1		
92009A	92009-1654	SCREW,5X16,BLACK		4	4		
92009B	92009-1959	SCREW		1	1		
92009C	92009-1961	SCREW,6X30		2	2		
92015	92015-1596	NUT,CABLE ADJUST LOCK,8MM		1	1		
92015A	92015-1757	NUT,WELL,5MM		4	4		
92015B	92015-1829	NUT		1	1		
92022	92022-1837	WASHER,5MM		1	1		
92022A	92022-1838	WASHER,WAVE,5MM		1	1		
92028	92028-1986	BUSHING		1	1		
92049	92049-1578	SEAL-OIL		1	1		
92066	92066-1077	PLUG,9.5X8,POLYETHYLENE		1	1		
92143	92143-1216	COLLAR		1	1		
92145	92145-1392	SPRING		1	1		
92145A	92145-1429	SPRING		1	1		

This catalog covers:

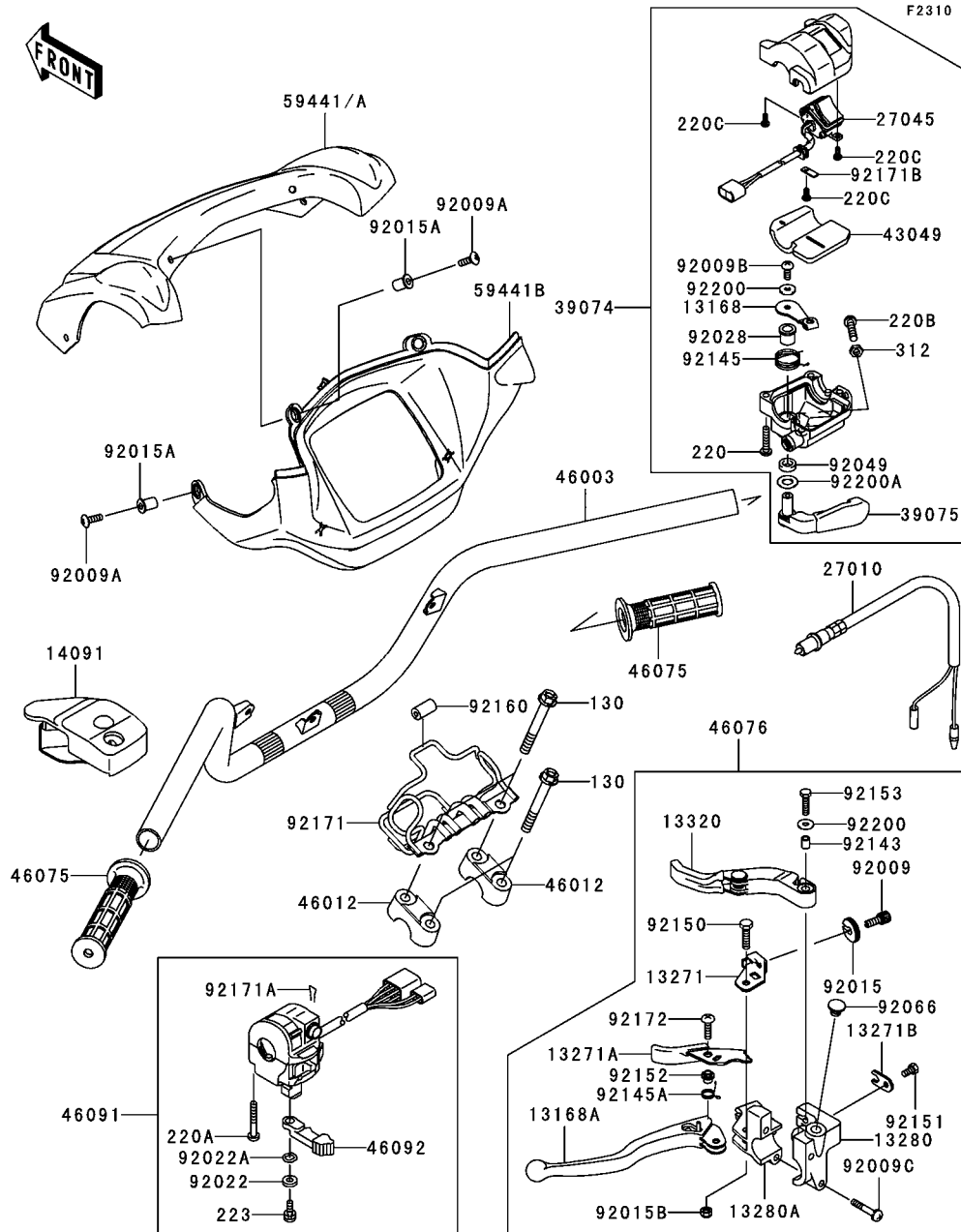
'06~'07 KVF750 A6F/A7F Chassis

GRID NO.

H-4

This grid covers:

Handlebar(2/2)



Ref. No.	Part No.	Description	Spec Code	Quantity-KVF750			
				'06	'07		
				A6F	A7F		
92150	92150-1420	BOLT		1	1		
92151	92151-1975	BOLT,5X10		1	1		
92152	92152-1176	COLLAR		1	1		
92153	92153-1129	BOLT,5X20		1	1		
92160	92160-1074	DAMPER,4.5X11X20		1	1		
92171	92171-0378	CLAMP,BREATHER TUBE		1	1		
92171A	92171-1095	CLAMP,CLIP		1	1		
92171B	92171-1344	CLAMP		1	1		
92172	92172-0078	SCREW,5X20		1	1		
92200	92200-1558	WASHER		2	2		
92200A	92200-1559	WASHER		1	1		
130	130P0860	BOLT-FLANGED,8X60		4	4		
220	220C0525	SCREW-PAN-CROS,5X25		3	3		
220A	220C0535	SCREW-PAN-CROS,5X35		2	2		
220B	220C0625	SCREW-PAN-CROS,6X25		1	1		
220C	220D0308	SCREW-PAN-CROSS,3X8		3	3		
223	223C0512	SCREW-PAN-WS-CROS,5X12		1	1		
312	312C0600	NUT-HEX,6MM,BLACK		1	1		

This catalog covers:

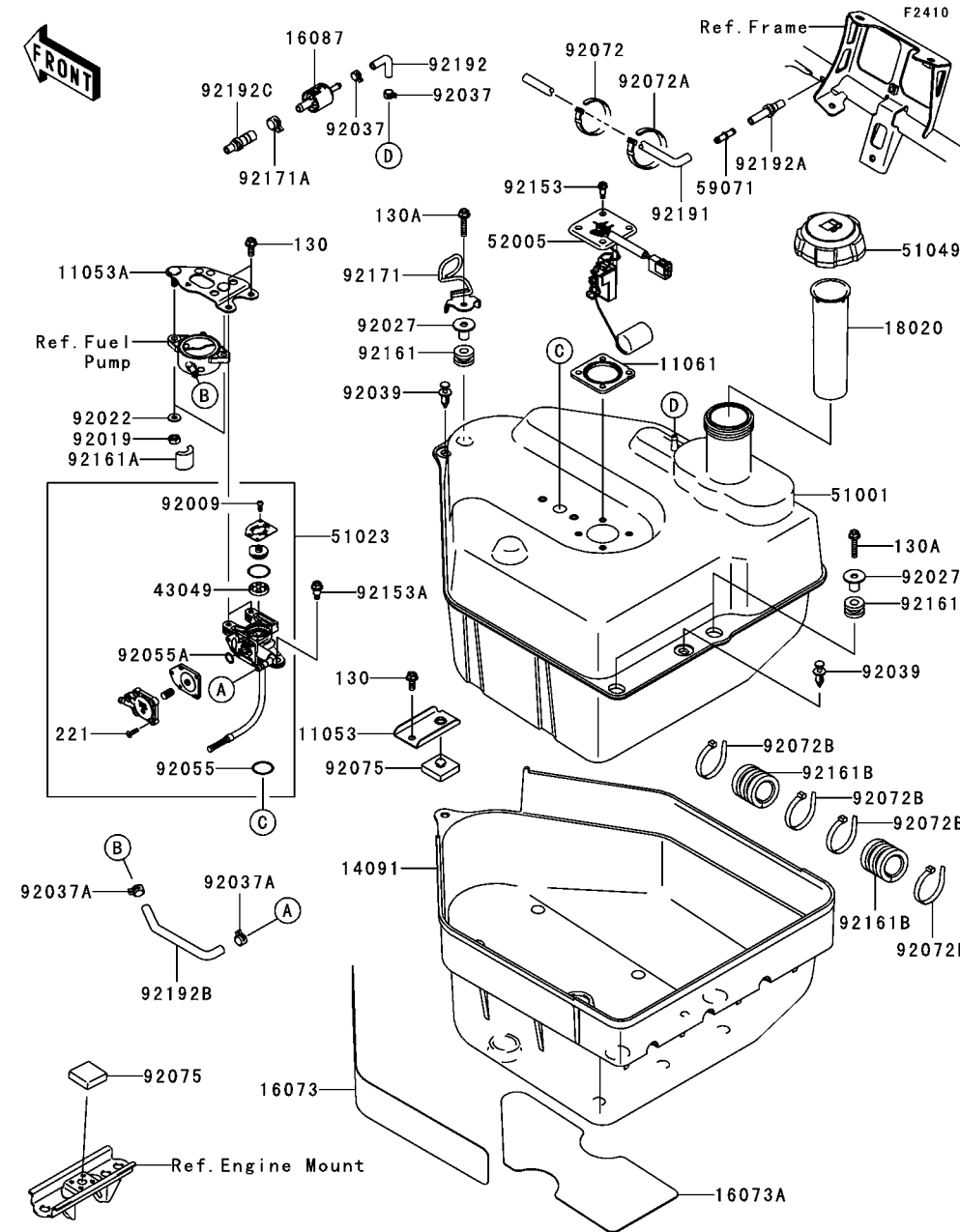
'06~'07 KVF750 A6F/A7F Chassis

GRID NO.

H-5

This grid covers:

Fuel Tank(1/2)(A6F)



Ref. No.	Part No.	Description	Spec Code	Quantity-KVF750			
				'06	'07		
				A6F	A7F		
11053	11053-0936	BRACKET,FUEL TANK, TOP				1	
11053A	11053-1247	BRACKET,FUEL PUMP				1	
11061	11061-0071	GASKET,FUEL GAUGE				1	
14091	14091-0308	COVER,FUEL TANK,LWR				1	
16073	16073-0016	INSULATOR,FUEL TANK COVER,SIDE				1	
16073A	16073-0017	INSULATOR,FUEL TANK COVER,LWR				1	
16087	16087-0002	VALVE-CHECK				1	
18020	18020-0008	BAFFLE,FUEL TANK				1	
43049	43049-1103	PACKING				1	
51001	51001-0058	TANK-COMP-FUEL				1	
51023	51023-0011	TAP-ASSY,FUEL				1	
51049	51049-1128	CAP-TANK,FUEL				1	
52005	52005-0011	GAUGE,FUEL				1	
59071	59071-3717	JOINT				1	
92009	92009-1123	SCREW,3X5				2	
92019	92019-008	NUT,LOCK,6MM				2	
92022	92022-2373	WASHER,6.2X15.0X1.2				2	
92027	92027-1847	COLLAR,L=16.1				3	
92037	92037-1461	CLAMP,TUBE				2	
92037A	92037-1505	CLAMP,TUBE				2	
92039	92039-1229	RIVET				2	
92055	92055-0054	RING-O,FUEL TAP				1	
92055A	92055-1664	RING-O				1	
92072	92072-031	BAND,L=149				1	
92072A	92072-056	BAND,L=186				1	
92072B	92072-1239	BAND,L=188				4	
92075	92075-1882	DAMPER				2	
92153	92153-0361	BOLT,FLANGED,5MM				4	
92153A	92153-0824	BOLT,6MM				2	
92161	92161-0106	DAMPER				3	
92161A	92161-0125	DAMPER,FUEL PUMP				1	
92161B	92161-1111	DAMPER,FUEL TANK,RR				2	
92171	92171-0380	CLAMP,FUEL TUBE				1	
92171A	92171-0515	CLAMP				1	

This catalog covers:

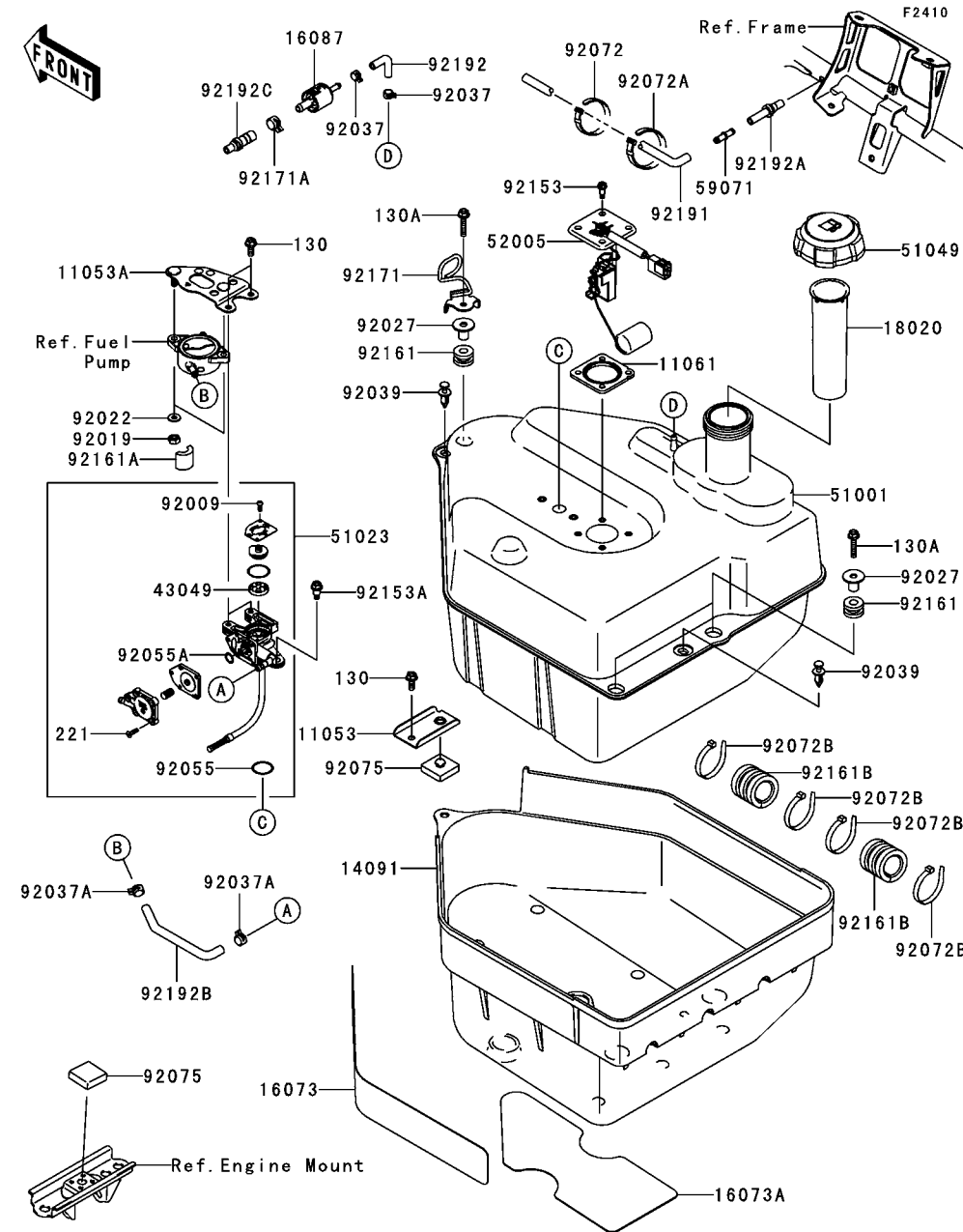
'06~'07 KVF750 A6F/A7F Chassis

GRID NO.

H-6

This grid covers:

Fuel Tank(2/2)(A6F)



Ref. No.	Part No.	Description	Spec Code	Quantity-KVF750			
				'06	'07		
				A6F	A7F		
92191	92191-1384	TUBE,CANISTER-SEPARATOR,BLUE		1			
92192	92192-0067	TUBE,FUEL TANK-CHECK VALVE		1			
92192A	92192-0068	TUBE,FRAME PIPE-CHECK VALVE		1			
92192B	92192-0126	TUBE,FUEL		1			
92192C	92192-0128	TUBE,FRAME PIPE-CHECK VALVE		1			
130	130G0616	BOLT-FLANGED,6X16		3			
130A	130G0630	BOLT-FLANGED,6X30		3			
221	221B0414	SCREW-CSK-CROS,4X14		5			

This catalog covers:

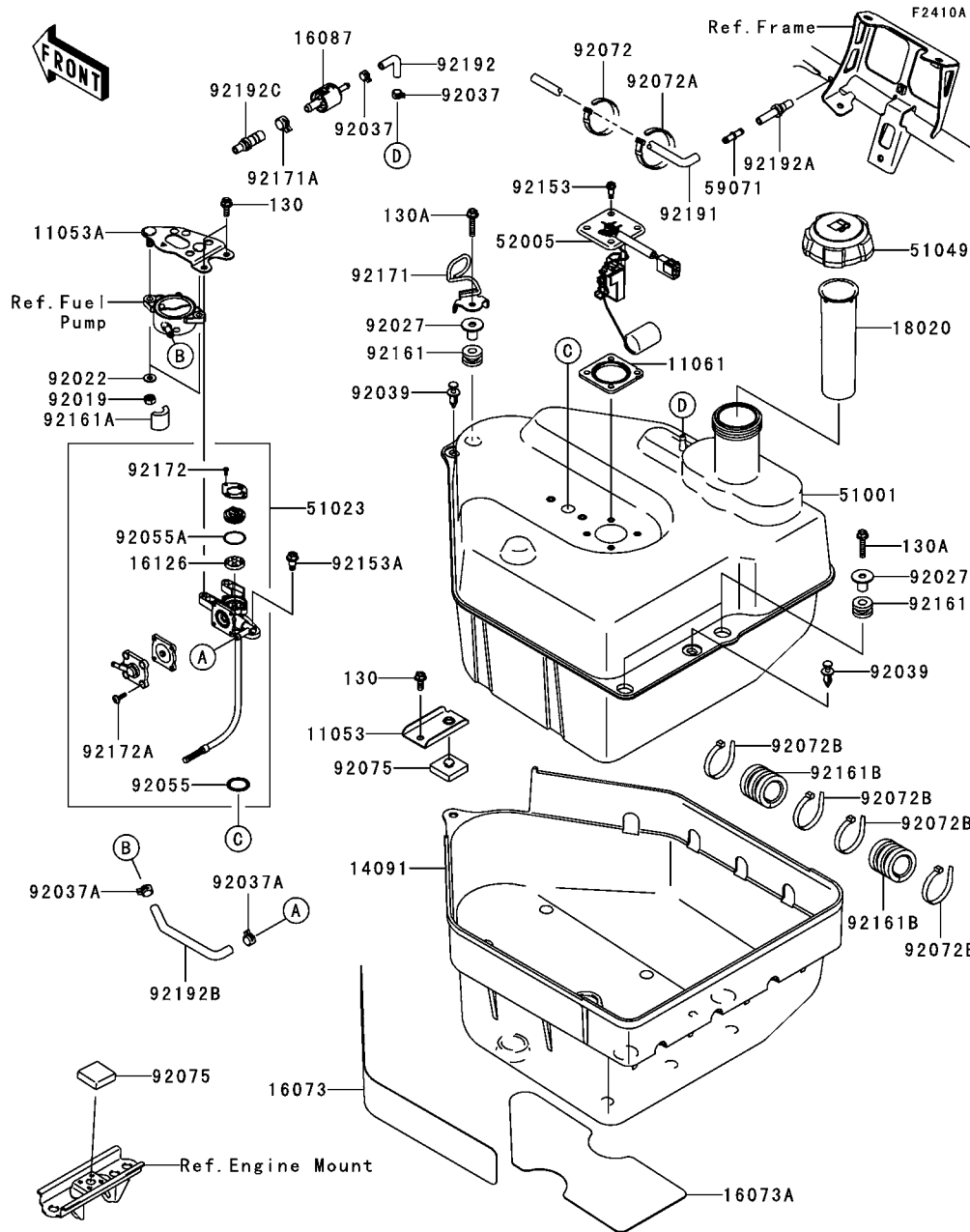
'06~'07 KVF750 A6F/A7F Chassis

GRID NO.

H-7

This grid covers:

Fuel Tank(1/2)(A7F)



Ref. No.	Part No.	Description	Spec Code	Quantity-KVF750			
				'06	'07		
				A6F	A7F		
11053	11053-0936	BRACKET,FUEL TANK,TOP				1	
11053A	11053-1247	BRACKET,FUEL PUMP				1	
11061	11061-0071	GASKET,FUEL GAUGE				1	
14091	14091-0608	COVER,FUEL TANK,LWR				1	
16073	16073-0033	INSULATOR,FUEL TANK COVER,SIDE				1	
16073A	16073-0034	INSULATOR,FUEL TANK COVER,LWR				1	
16087	16087-0002	VALVE-CHECK				1	
16126	16126-0027	VALVE				1	
18020	18020-0008	BAFFLE,FUEL TANK				1	
51001	51001-0058	TANK-COMP-FUEL				1	
51023	51023-0022	TAP-ASSY,FUEL				1	
51049	51049-1128	CAP-TANK,FUEL				1	
52005	52005-0011	GAUGE,FUEL				1	
59071	59071-3717	JOINT				1	
92019	92019-008	NUT,LOCK,6MM				2	
92022	92022-2373	WASHER,6.2X15.0X1.2				2	
92027	92027-1847	COLLAR,L=16.1				3	
92037	92037-1461	CLAMP,TUBE				2	
92037A	92037-1505	CLAMP,TUBE				2	
92039	92039-1229	RIVET				2	
92055	92055-0081	RING-O,FUEL TAP				1	
92055A	92055-0111	RING-O				1	
92072	92072-031	BAND,L=149				1	
92072A	92072-056	BAND,L=186				1	
92072B	92072-1239	BAND,L=188				4	
92075	92075-1882	DAMPER				2	
92153	92153-0361	BOLT,FLANGED,5MM				4	
92153A	92153-0824	BOLT,6MM				2	
92161	92161-0106	DAMPER				3	
92161A	92161-0125	DAMPER,FUEL PUMP				1	
92161B	92161-1111	DAMPER,FUEL TANK,RR				2	
92171	92171-0380	CLAMP,FUEL TUBE				1	
92171A	92171-0515	CLAMP				1	
92172	92172-0259	SCREW,3X6				2	
92172A	92172-0260	SCREW,4X15				4	
92191	92191-1384	TUBE,CANISTER-SEPARATOR,BLUE				1	
92192	92192-0067	TUBE,FUEL TANK-CHECK VALVE				1	
92192A	92192-0068	TUBE,FRAME PIPE-CHECK VALVE				1	
92192B	92192-0126	TUBE,FUEL				1	
92192C	92192-0128	TUBE,FRAME PIPE-CHECK VALVE				1	

This catalog covers:

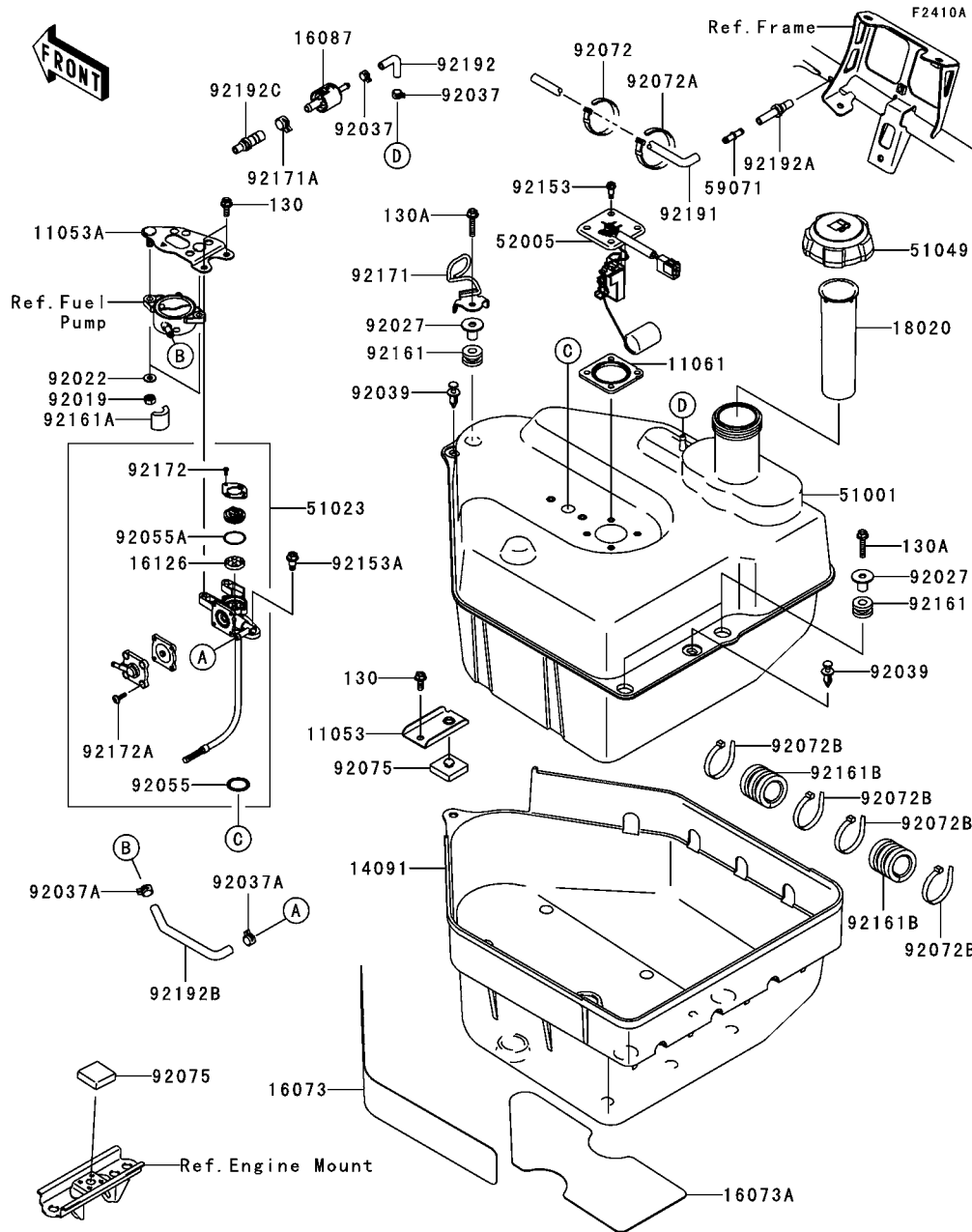
'06~'07 KVF750 A6F/A7F Chassis

GRID NO.

H-8

This grid covers:

Fuel Tank(2/2)(A7F)



Ref. No.	Part No.	Description	Spec Code	Quantity-KVF750	
				'06	'07
130	130G0616	BOLT-FLANGED,6X16			3
130A	130G0630	BOLT-FLANGED,6X30			3

This catalog covers:

'06~'07 KVF750 A6F/A7F Chassis

GRID NO.

H-9

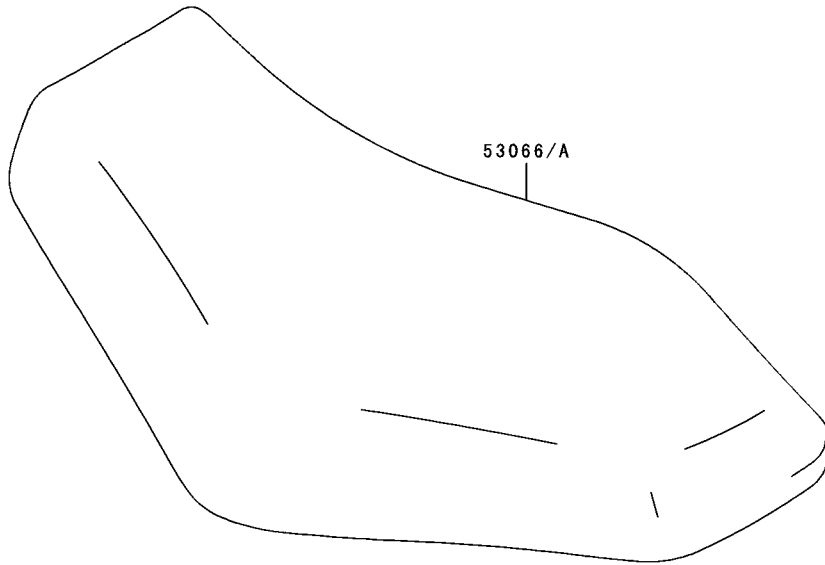
This grid covers:

Seat



F2510

Ref. No.	Part No.	Description	Spec Code	Quantity-KVF750			
				'06	'07		
				A6F	A7F		
53066	53066-0058-MA	SEAT-ASSY,BLACK		1			
53066A	53066-0128-MA	SEAT-ASSY,BLACK			1		



This catalog covers:

'06~'07 KVF750 A6F/A7F Chassis

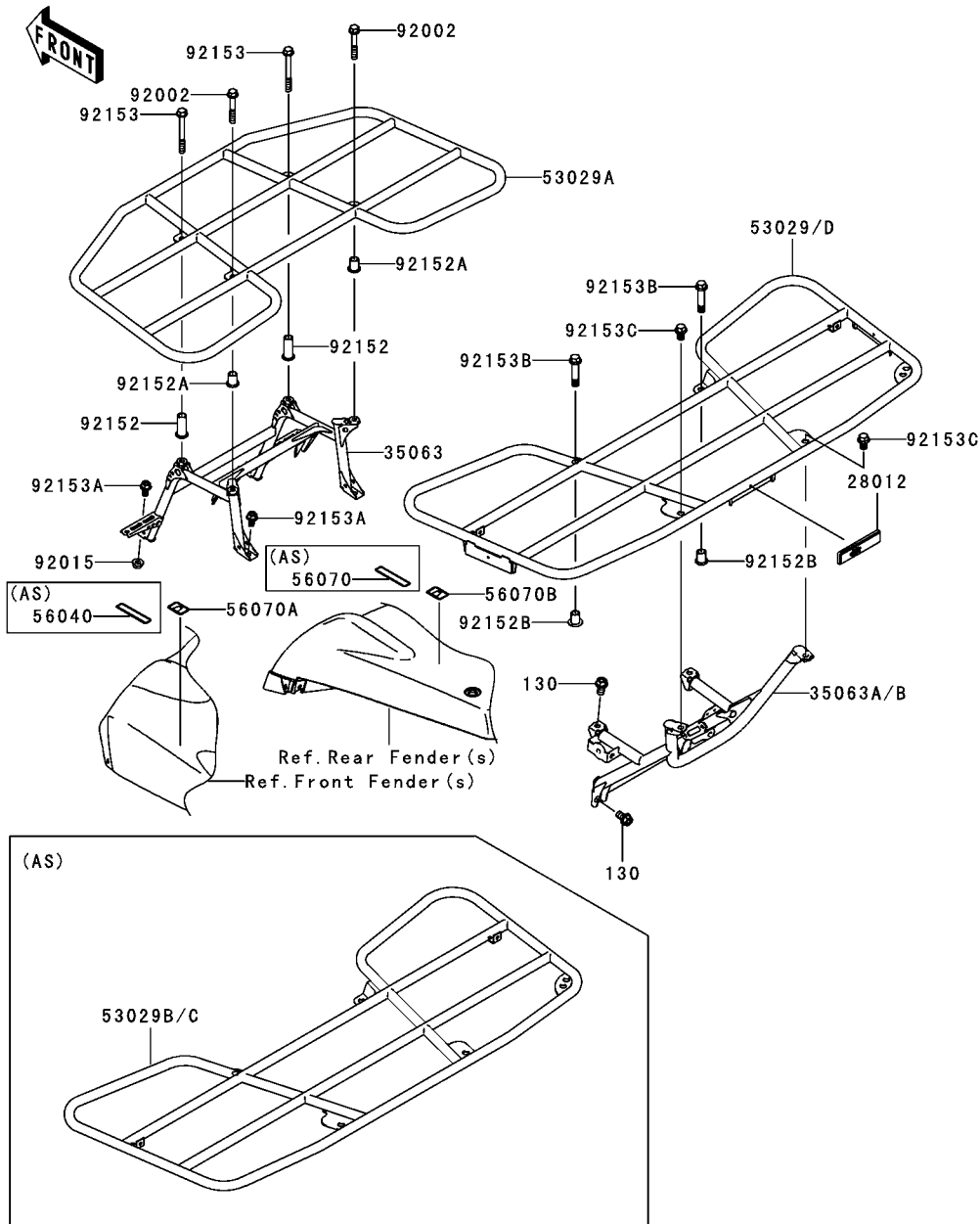
GRID NO.

H-10

This grid covers:

Carrier(s)

F2520



Ref. No.	Part No.	Description	Spec Code	Quantity-KVF750			
				'06	'07		
				A6F	A7F		
28012	28012-1087	REFLECTOR-REFLEX,RR					
	L-----				EU,UK	1	1
35063	35063-0164	STAY,FR					
35063A	35063-0185-21	STAY,REAR CARRIER,F.BLACK					
35063B	35063-0185-388	STAY,REAR CARRIER,W.BLACK					1
53029	53029-0032-388	CARRIER,RR,W.BLACK					
	L-----				EU,UK	1	
53029A	53029-0033-388	CARRIER,FR,W.BLACK					1
53029B	53029-0034-388	CARRIER,RR,W.BLACK					
	L-----				AS	1	
53029C	53029-0044-388	CARRIER,RR,W.BLACK					
	L-----				AS	1	
53029D	53029-0045-388	CARRIER,RR,W.BLACK					
	L-----				EU,UK	1	
56040	56040-1321	LABEL-WARNING,MAXIMUM LOAD					
	L-----				AS	1	1
56070	56070-0041	LABEL-WARNING,MAXIMUM LOAD					
	L-----				AS	1	1
56070A	56070-1103	LABEL-WARNING,CARRIER LOAD,FR					
	L-----				EU,UK	1	1
56070B	56070-1253	LABEL-WARNING,MAXIMUM LOAD					
	L-----				EU,UK	1	1
92002	92002-1934	BOLT,8X50					2
92015	92015-1406	NUT,FLANGED,8MM					2
92152	92152-0254	COLLAR					2
92152A	92152-0255	COLLAR					2
92152B	92152-0257	COLLAR					2
92153	92153-0748	BOLT,FLANGED,8X70					2
92153A	92153-0931	BOLT,FLANGED,8X14					4
92153B	92153-1374	BOLT,FLANGED,10X44					2
92153C	92153-1375	BOLT,FLANGED,10X14					2
130	130S1016	BOLT-FLANGED,10X16					4

This catalog covers:

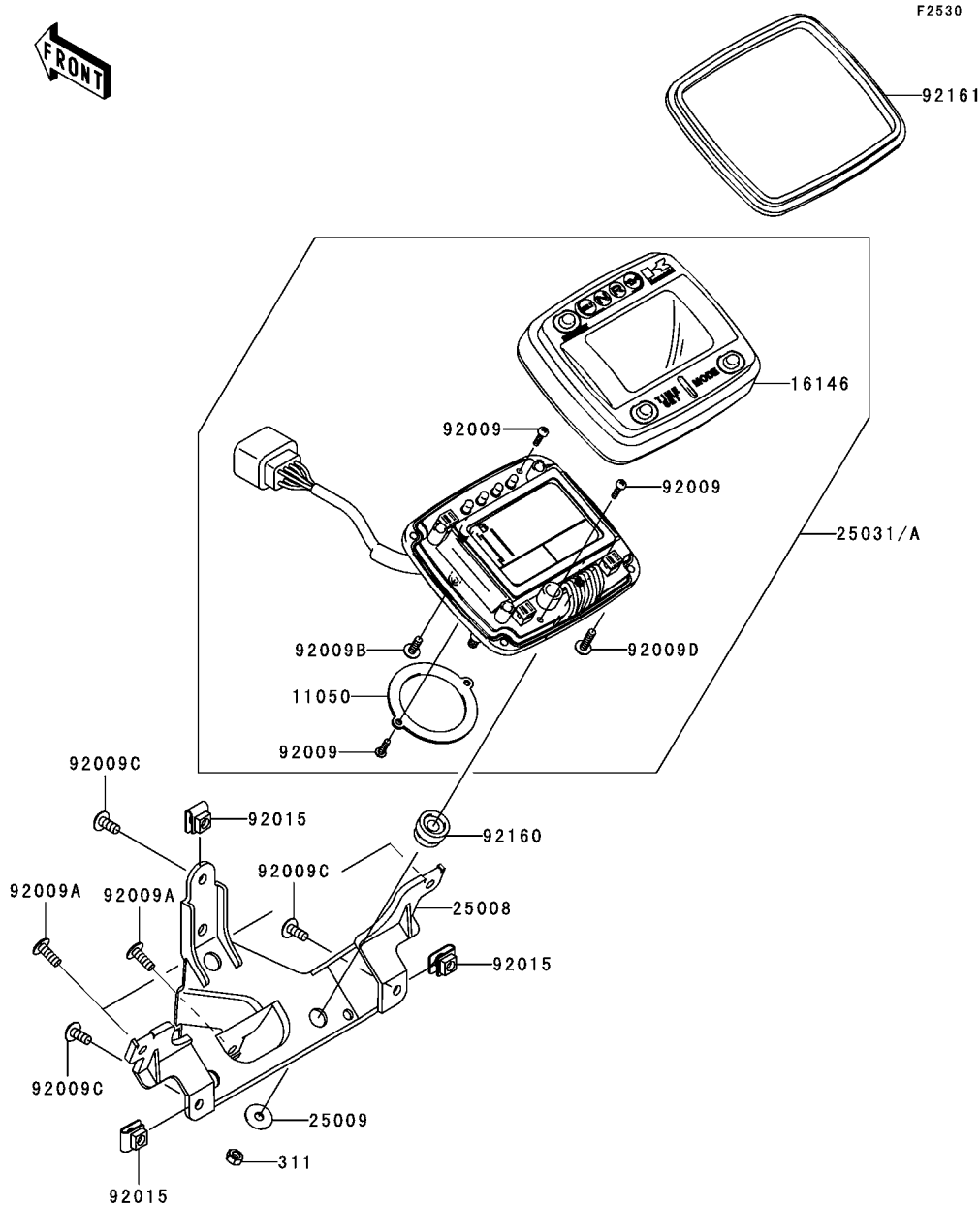
'06~'07 KVF750 A6F/A7F Chassis

GRID NO.

H-11

This grid covers:

Meter(s)



Ref. No.	Part No.	Description	Spec Code	Quantity-KVF750			
				'06	'07		
				A6F	A7F		
11050	11050-1932	BRACKET,METER		1		1	
16146	16146-0011	COVER-ASSY,UPPER		1		1	
25008	25008-0003	BRACKET-METER		1		1	
25009	25009-004	WASHER,5.2X16X1.2		3		3	
25031	25031-0034	METER-ASSY,MPH					
		L-----UK		1		1	
25031A	25031-0057	METER-ASSY,KPH					
		L-----AS,EU		1		1	
92009	92009-1028	SCREW,TAPPING,3X12		4		4	
92009A	92009-1197	SCREW,TAPPING,5X14		3		3	
92009B	92009-1254	SCREW,TAPPING,4X12		1		1	
92009C	92009-1652	SCREW,5X12		3		3	
92009D	92009-1663	SCREW,6X18		4		4	
92015	92015-1573	NUT,5MM		3		3	
92160	92160-1460	DAMPER		3		3	
92161	92161-1114	DAMPER,METER,UPP		1		1	
311	311C0500	NUT-HEX		3		3	

This catalog covers:

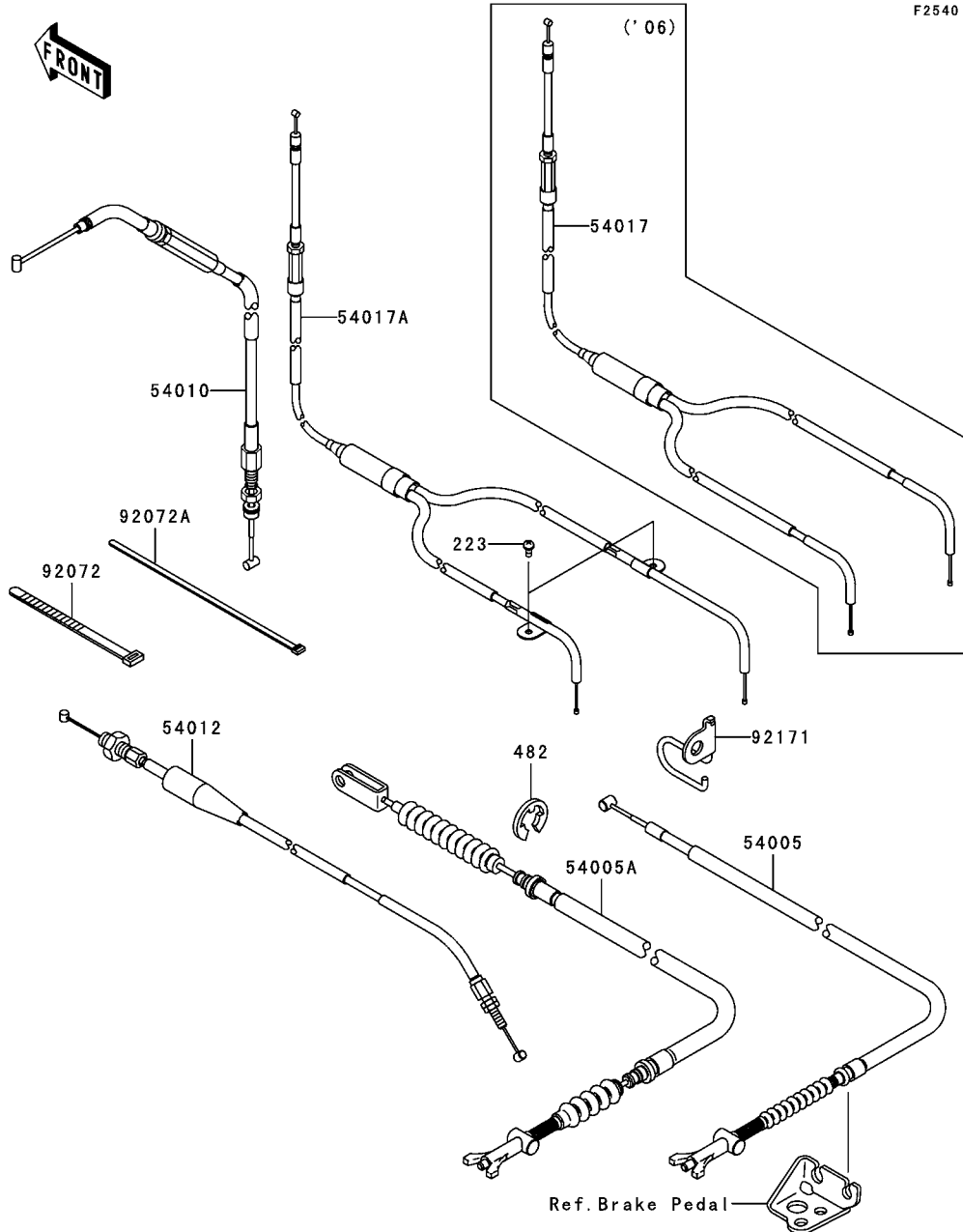
'06~'07 KVF750 A6F/A7F Chassis

GRID NO.

H-12

This grid covers:

Cables



Ref. No.	Part No.	Description	Spec Code	Quantity-KVF750			
				'06	'07		
				A6F	A7F		
54005	54005-0005	CABLE-BRAKE,PARKING	1	1			
54005A	54005-0009	CABLE-BRAKE,FOOT	1	1			
54010	54010-0009	CABLE,FRONT DIFF LOCK	1	1			
54012	54012-0108	CABLE-THROTTLE	1	1			
54017	54017-0006	CABLE-STARTER	1				
54017A	54017-0028	CABLE-STARTER		1			
92072	92072-030	BAND,L=123	1	1			
92072A	92072-1239	BAND,L=188	3	3			
92171	92171-0228	CLAMP,BRAKE CABLE	1	1			
223	223D0408	SCREW-PAN-WS-CROS,4X8		2			
482	482L8000	CIRCLIP-TYPE-E,8MM	1	1			

This catalog covers:

'06~'07 KVF750 A6F/A7F Chassis

GRID NO.

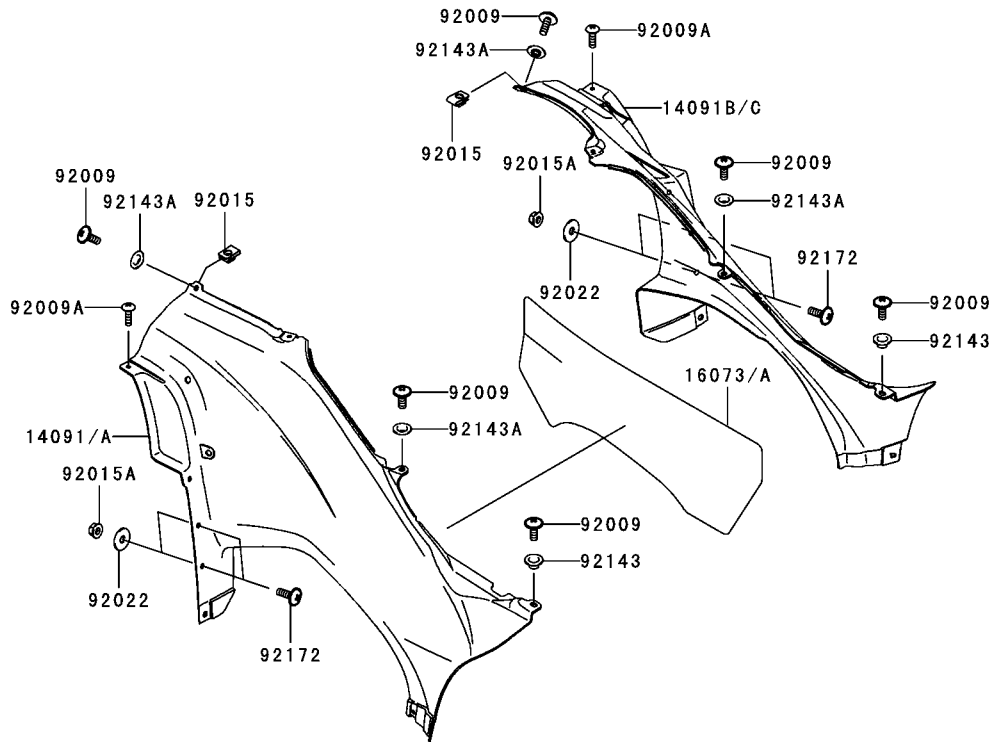
H-13

This grid covers:

Side Covers

F2611

Ref. No.	Part No.	Description	Spec Code	Quantity-KVF750			
				'06	'07		
				A6F	A7F		
14091	14091-0137-260	COVER,SIDE,LH,A.RED				1	
		L-----	AS	1			
14091A	14091-0137-286	COVER,SIDE,LH,W.GREEN					
		L-----	EU,UK	1	1		
14091B	14091-0138-260	COVER,SIDE,RH,A.RED				1	
		L-----	AS	1			
14091C	14091-0138-286	COVER,SIDE,RH,W.GREEN					
		L-----	EU,UK	1	1		
16073	16073-0011	INSULATOR,SIDE COVER				1	
16073A	16073-0030	INSULATOR,SIDE COVER					1
92009	92009-1621	SCREW,6X16				6	6
92009A	92009-1655	SCREW,5X18				2	2
92015	92015-1602	NUT,6MM				2	2
92015A	92015-1603	NUT,LOCK,FLANGED,6MM				4	4
92022	92022-1346	WASHER,6.5X20X1.6,BLACK				4	4
92143	92143-1057	COLLAR				2	2
92143A	92143-1087	COLLAR				4	4
92172	92172-0002	SCREW,6X18				4	4



This catalog covers:

'06~'07 KVF750 A6F/A7F Chassis

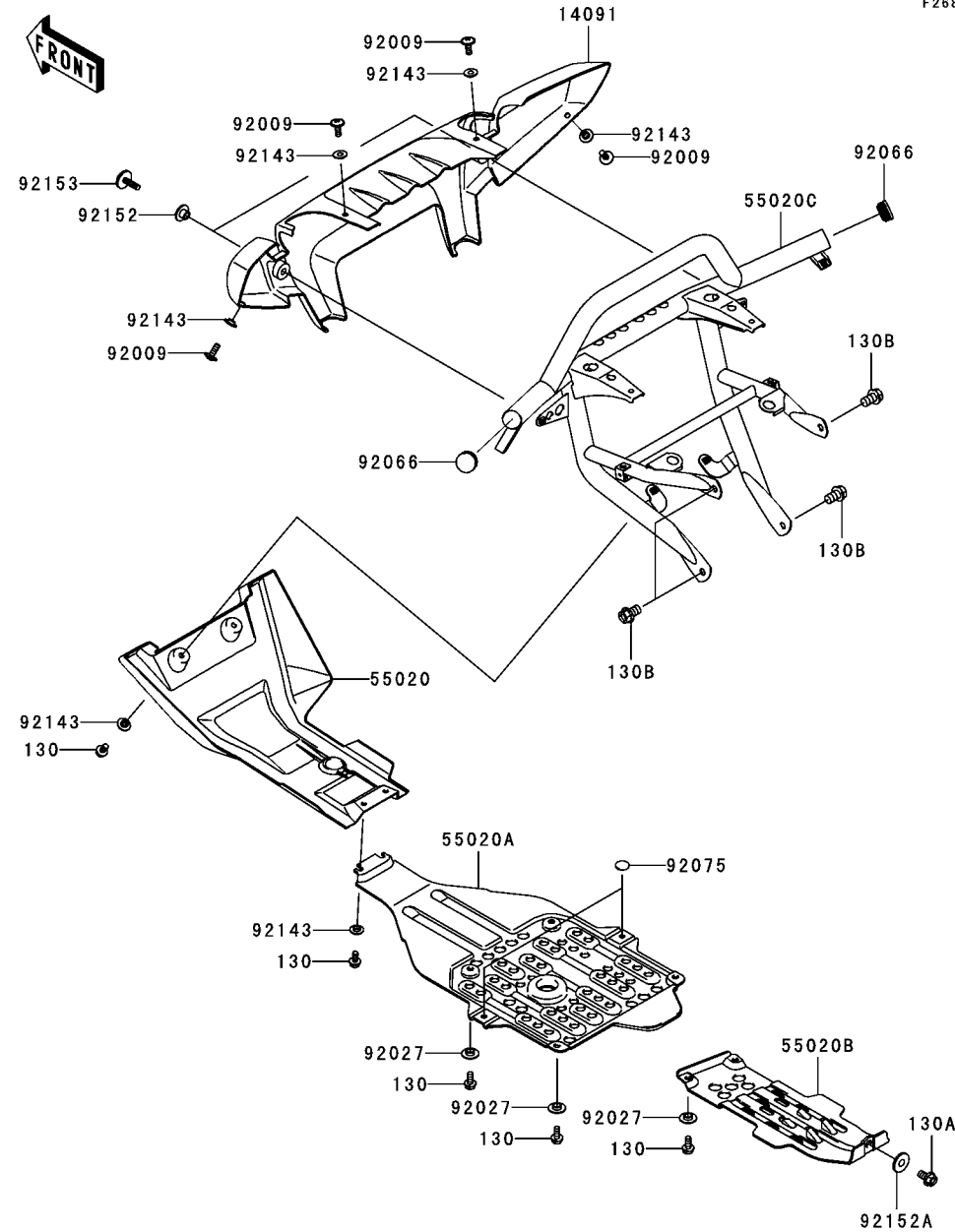
GRID NO.

H-14

This grid covers:

Guard(s)(A6F)

F2680



Ref. No.	Part No.	Description	Spec Code	Quantity-KVF750			
				'06	'07		
				A6F	A7F		
14091	14091-0291-6Z	COVER,FRONT BUMPER,F.BLACK				1	
55020	55020-0064-6Z	GUARD,FRONT SKID,F.BLACK				1	
55020A	55020-0065	GUARD,ENGINE				1	
55020B	55020-0105	GUARD,REAR GEAR BOX				1	
55020C	55020-0149-21	GUARD,FRONT,F.BLACK				1	
92009	92009-1621	SCREW,6X16				4	
92027	92027-1964	COLLAR,L=4.7				6	
92066	92066-0035	PLUG				2	
92075	92075-261	DAMPER,RUBBER				2	
92143	92143-1087	COLLAR				8	
92152	92152-0181	COLLAR				2	
92152A	92152-0198	COLLAR				1	
92153	92153-0665	BOLT,SOCKET,6X22				2	
130	130J0614	BOLT-FLANGED,6X14				10	
130A	130J0814	BOLT-FLANGED,8X14				1	
130B	130J1016	BOLT-FLANGED,10X16				4	

This catalog covers:

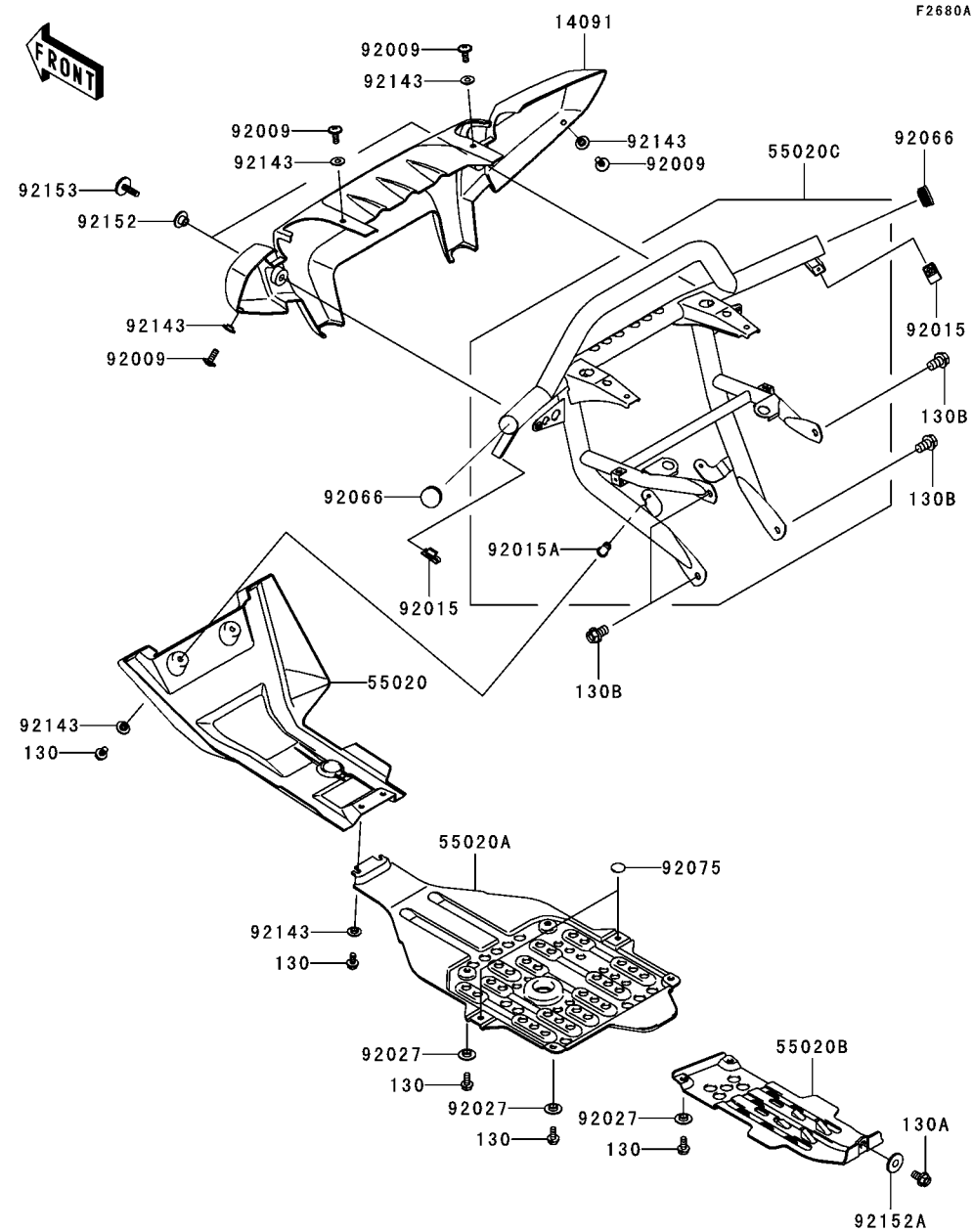
'06~'07 KVF750 A6F/A7F Chassis

GRID NO.

I-3

This grid covers:

Guard(s)(A7F)



F2680A

Ref. No.	Part No.	Description	Spec Code	Quantity-KVF750			
				'06	'07		
				A6F	A7F		
14091	14091-0291-6Z	COVER,FRONT BUMPER,F.BLACK				1	
55020	55020-0064-6Z	GUARD,FRONT SKID,F.BLACK				1	
55020A	55020-0065	GUARD,ENGINE				1	
55020B	55020-0105	GUARD,REAR GEAR BOX				1	
55020C	55020-0270-388	GUARD,FRONT,W.BLACK				1	
92009	92009-1621	SCREW,6X16				4	
92015	92015-1602	NUT,6MM				2	
92015A	92015-1792	NUT,POP,6MM,L=16.5				2	
92027	92027-1964	COLLAR,L=4.7				6	
92066	92066-0035	PLUG				2	
92075	92075-261	DAMPER,RUBBER				2	
92143	92143-1087	COLLAR				8	
92152	92152-0181	COLLAR				2	
92152A	92152-0198	COLLAR				1	
92153	92153-0665	BOLT,SOCKET,6X22				2	
130	130J0614	BOLT-FLANGED,6X14				10	
130A	130J0814	BOLT-FLANGED,8X14				1	
130B	130J1016	BOLT-FLANGED,10X16				4	

This catalog covers:

'06~'07 KVF750 A6F/A7F Chassis

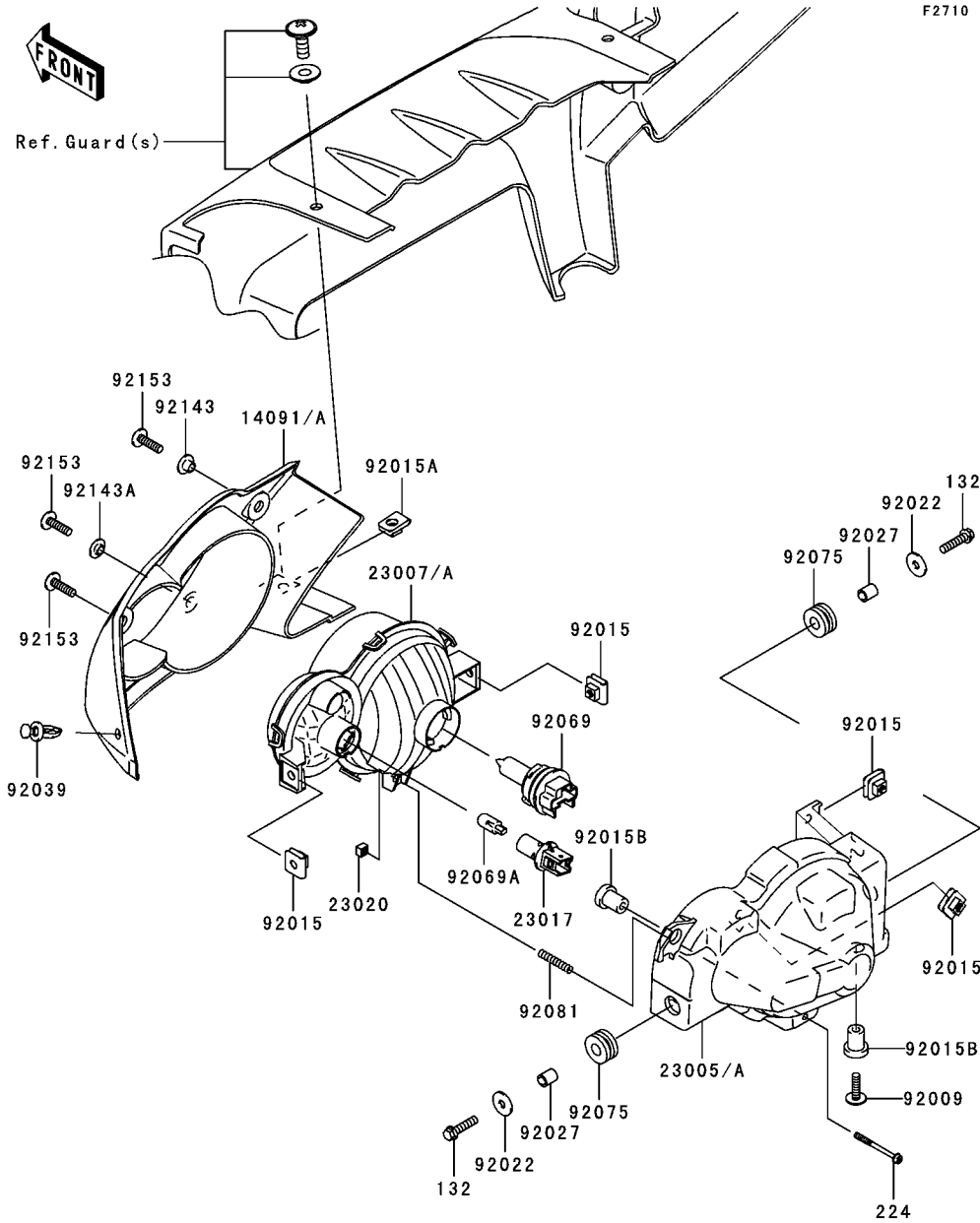
GRID NO.

I-4

This grid covers:

Headlight(s)

F2710



Ref. No.	Part No.	Description	Spec Code	Quantity-KVF750			
				'06	'07		
				A6F	A7F		
14091	14091-0132-6Z	COVER,HEAD LAMP,LH,F.BLACK	1	1			
14091A	14091-0133-6Z	COVER,HEAD LAMP,RH,F.BLACK	1	1			
23005	23005-0006	BODY-COMP-HEAD LAMP,LH	1	1			
23005A	23005-0007	BODY-COMP-HEAD LAMP,RH	1	1			
23007	23007-0024	LENS-COMP,HEAD LAMP,LH	1	1			
23007A	23007-0025	LENS-COMP,HEAD LAMP,RH	1	1			
23017	23017-0001	SOCKET,HEAD LAMP	2	2			
23020	23020-018	NUT,4MM,FOCUS ADJUST	2	2			
92009	92009-1664	SCREW,6X22	2	2			
92015	92015-1094	NUT,6MM	8	8			
92015A	92015-1602	NUT,6MM	2	2			
92015B	92015-1692	NUT,RUBBER,6MM	4	4			
92022	92022-125	WASHER,6.5X20X1.6	4	4			
92027	92027-162	COLLAR,6.8X10X12	4	4			
92039	92039-1229	RIVET	2	2			
92069	92069-0005	BULB,12V 40/40W	2	2			
92069A	92069-0006	BULB,12V 5W	2	2			
92075	92075-1690	DAMPER	4	4			
92081	92081-1896	SPRING,FOCUS ADJUST	2	2			
92143	92143-1057	COLLAR	2	2			
92143A	92143-1087	COLLAR	2	2			
92153	92153-0574	BOLT,SOCKET,6X22	6	6			
132	132H0625	BOLT-FLANGED-SMALL,6X25	4	4			
224	224D0445	SCREW-PAN-WP-CROS,4X45	2	2			

This catalog covers:

'06~'07 KVF750 A6F/A7F Chassis

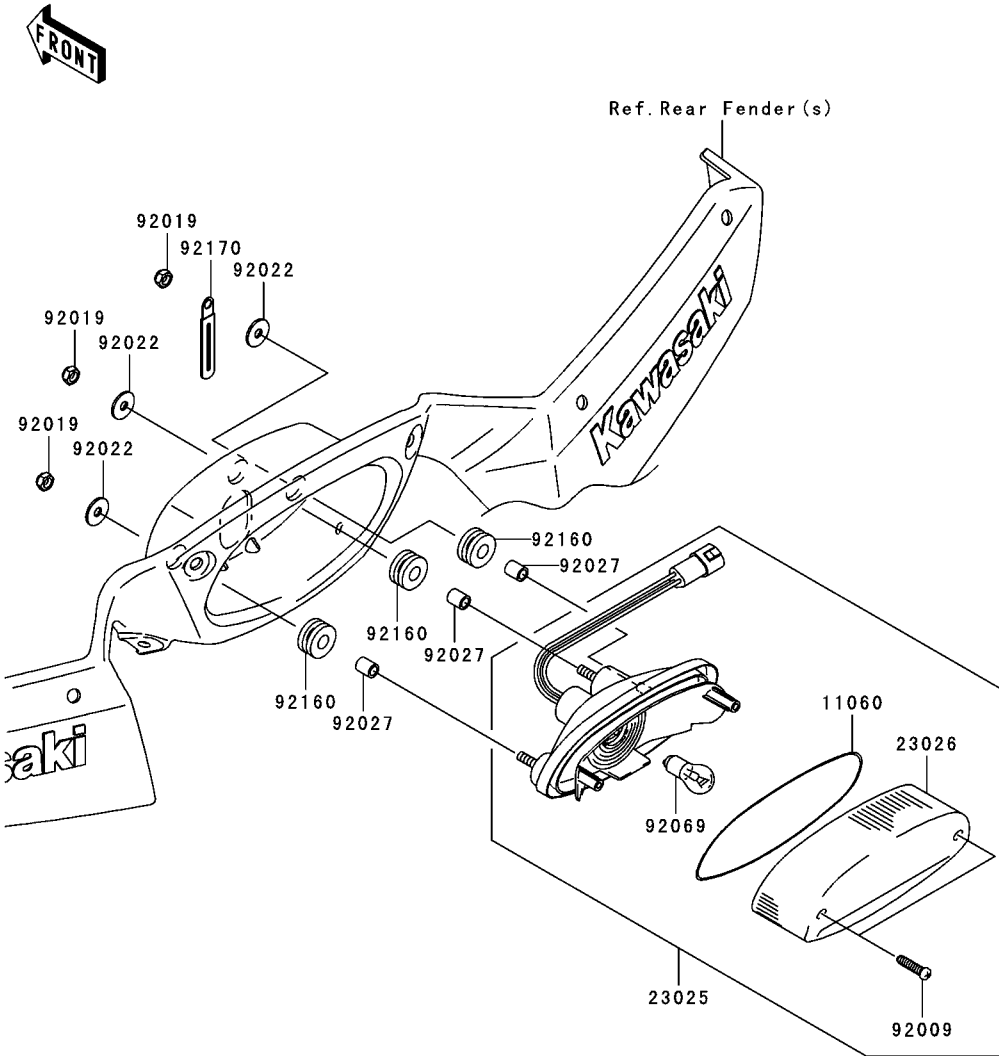
GRID NO.

I-5

This grid covers:

Taillight(s)

F2720



Ref. No.	Part No.	Description	Quantity-KVF750			
			'06	'07		
			A6F	A7F		
11060	11060-1174	GASKET,TAIL LAMP LENS	1	1		
23025	23025-0011	LAMP-TAIL	1	1		
23026	23026-1183	LENS,TAIL LAMP	1	1		
92009	92009-1378	SCREW,TAPPING,4X20	2	2		
92019	92019-008	NUT,LOCK,6MM	3	3		
92022	92022-1557	WASHER,6.5X20X1.6	3	3		
92027	92027-162	COLLAR,6.8X10X12	3	3		
92069	92069-063	BULB,12V 21/5W	1	1		
92160	92160-1162	DAMPER	3	3		
92170	92170-1514	CLAMP	1	1		

This catalog covers:

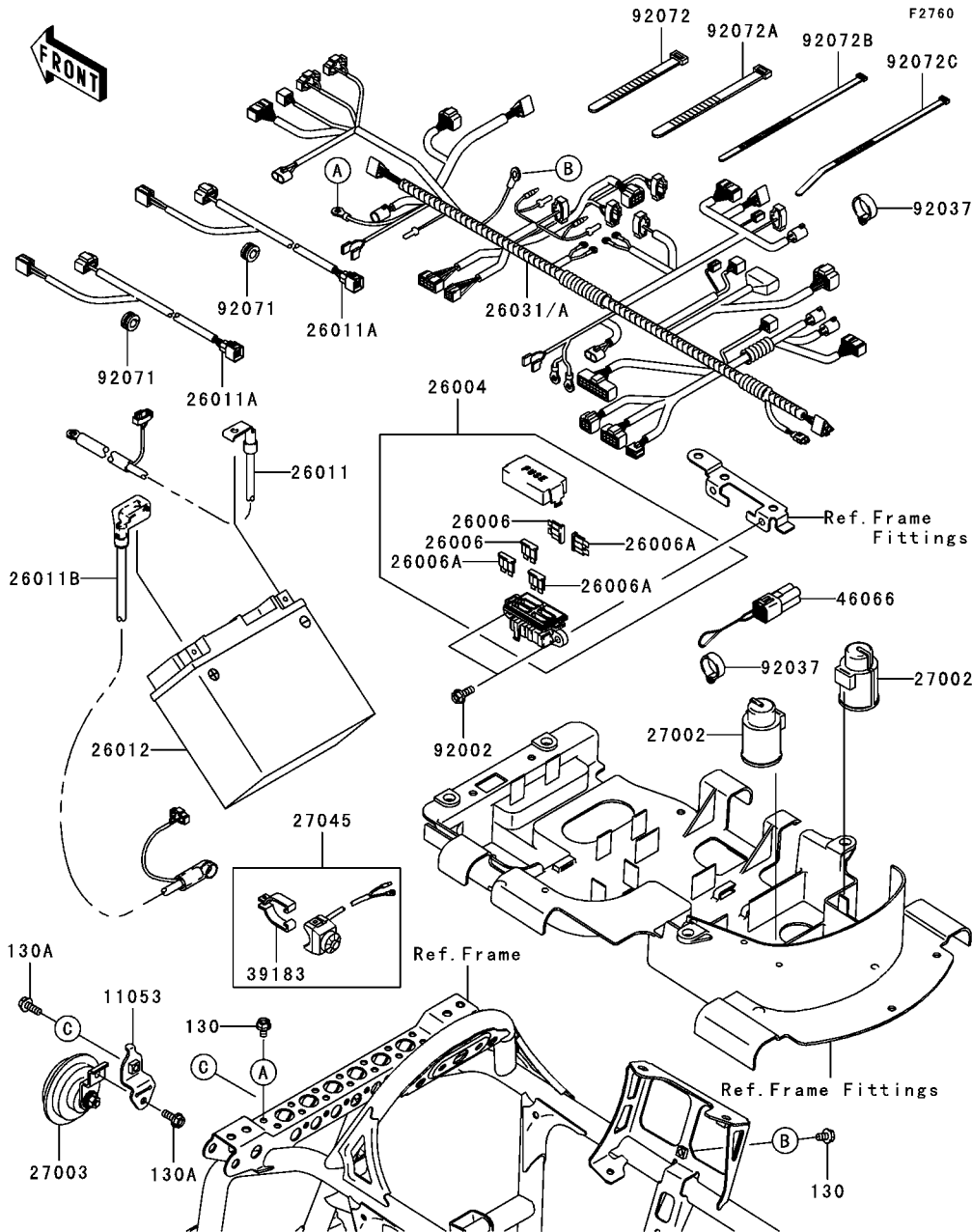
'06~'07 KVF750 A6F/A7F Chassis

GRID NO.

I-6

This grid covers:

Chassis Electrical Equipment



Ref. No.	Part No.	Description	Spec Code	Quantity-KVF750			
				'06	'07		
				A6F	A7F		
11053	11053-0912	BRACKET,HORN	1	1			
26004	26004-0011	FUSE-ASSY	1	1			
26006	26006-0004	FUSE,30A	2	2			
26006A	26006-0005	FUSE,10A	3	3			
26011	26011-0026	WIRE-LEAD,BATTERY(-)	1	1			
26011A	26011-0052	WIRE-LEAD,HEAD LAMP	2	2			
26011B	26011-0053	WIRE-LEAD,BATTERY(+)	1	1			
26012	26012-1414	BATTERY,MF,KMX14-BS,12V 12AH	1	1			
26031	26031-0346	HARNESS,MAIN	1				
26031A	26031-0441	HARNESS,MAIN		1			
27002	27002-1095	RELAY-ASSY	2	2			
27003	27003-1276	HORN	1	1			
27045	27045-0003	SWITCH-ASSY,HORN	1	1			
39183	39183-0002	BAND-ASSY,ENGINE STOP SWITCH	1	1			
46066	46066-0001	CONNECTOR-ASSY,RESET	1	1			
92002	92002-1571	BOLT,6X16	2	2			
92037	92037-1827	CLAMP,HOSE	10	10			
92071	92071-1128	GROMMET	2	2			
92072	92072-030	BAND,L=123	2	2			
92072A	92072-031	BAND,L=149	1	1			
92072B	92072-1239	BAND,L=188	4	4			
92072C	92072-3509	BAND,L=292.1	1	1			
130	130J0610	BOLT-FLANGED,6X10	2	2			
130A	130J0616	BOLT-FLANGED,6X16	2	2			

This catalog covers:

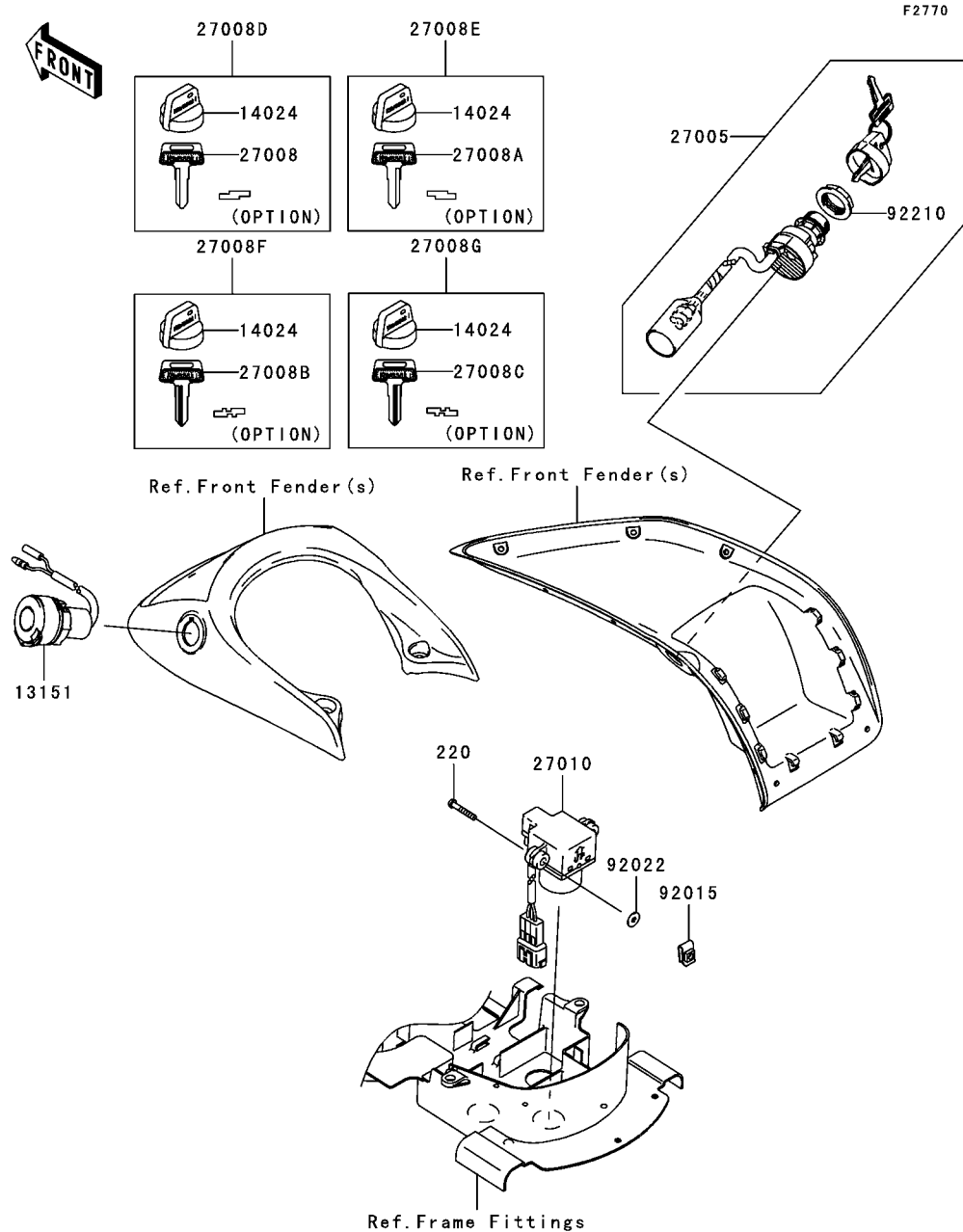
'06~'07 KVF750 A6F/A7F Chassis

GRID NO.

I-7

This grid covers:

Ignition Switch



Ref. No.	Part No.	Description	Quantity-KVF750			
			Spec Code		'06	'07
			A6F	A7F		
13151	13151-0003	SWITCH-COMP,D.C.TERMINAL			1	1
14024	14024-1551	COVER,KEY			4	4
		(OPTION)				
27005	27005-0019	SWITCH-ASSY-IGNITION			1	1
27008	27008-1041	KEY-LOCK,BLANK			1	1
		(OPTION)				
27008A	27008-1042	KEY-LOCK,BLANK			1	1
		(OPTION)				
27008B	27008-1043	KEY-LOCK,BLANK			1	1
		(OPTION)				
27008C	27008-1044	KEY-LOCK,BLANK			1	1
		(OPTION)				
27008D	27008-1132	KEY-LOCK,BLANK,W/COVER			1	1
		(OPTION)				
27008E	27008-1133	KEY-LOCK,BLANK,W/COVER			1	1
		(OPTION)				
27008F	27008-1134	KEY-LOCK,BLANK,W/COVER			1	1
		(OPTION)				
27008G	27008-1135	KEY-LOCK,BLANK,W/COVER			1	1
		(OPTION)				
27010	27010-1421	SWITCH,INVERT SENSOR			1	1
92015	92015-1567	NUT,4MM			2	2
92022	92022-1888	WASHER,4.3X12.5X1			2	2
92210	92210-1109	NUT,IGNITION SWITCH			1	1
220	220B0425	SCREW-PAN-CROS,4X25			2	2

This catalog covers:

'06~'07 KVF750 A6F/A7F Chassis

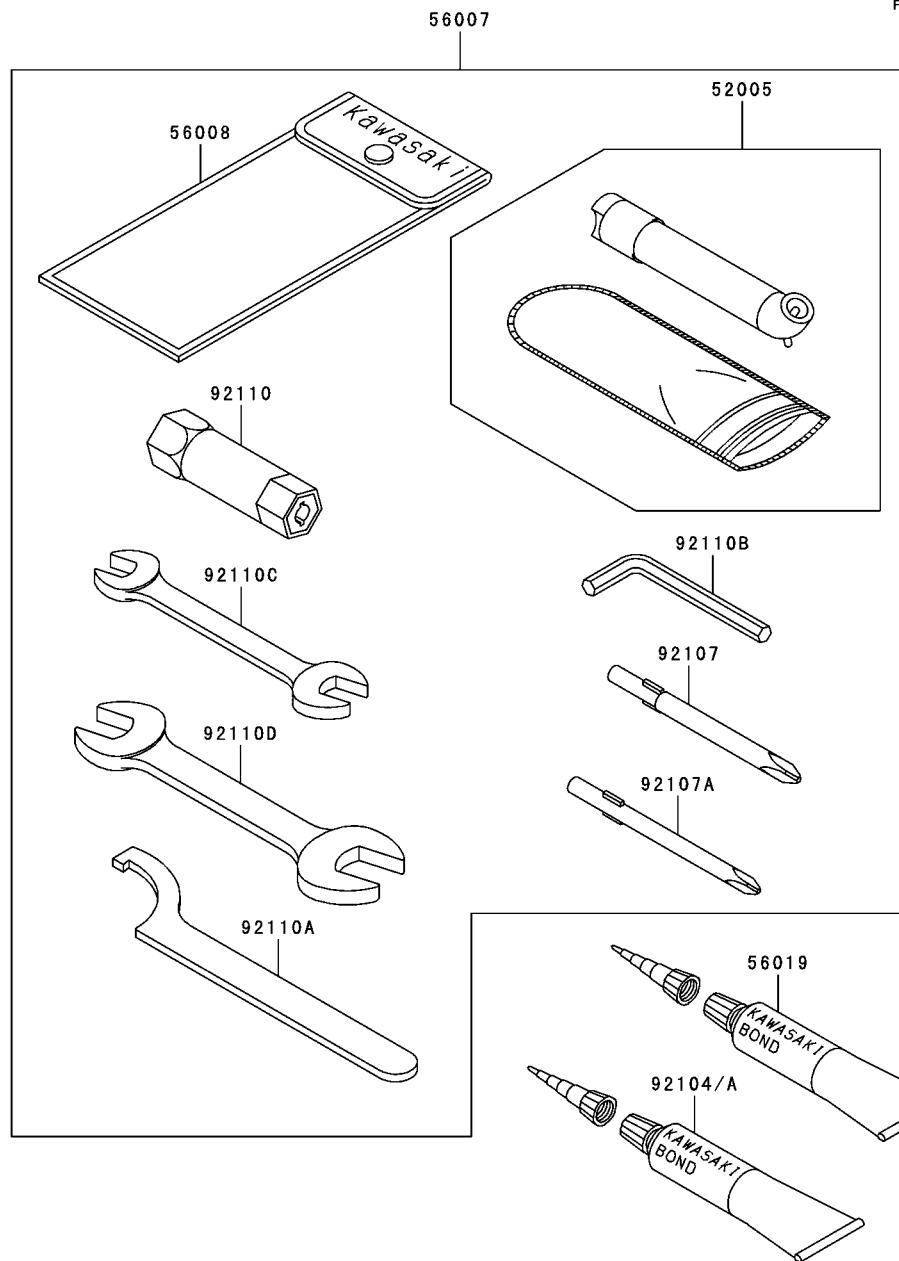
GRID NO.

I-8

This grid covers:

Owner's Tools

F2810



Ref. No.	Part No.	Description	Quantity-KVF750			
			'06	'07		
			A6F	A7F		
52005	52005-1082	GAUGE,AIR	1	1		
56007	56007-0014	TOOL-KIT	1	1		
56008	56008-1007	BAG,TOOL	1	1		
56019	56019-120	THREE BOND TB1211,HT/RS,WHITE	1	1		
92104	92104-0004	GASKET-LIQUID,TB1211F	1	1		
92104A	92104-1063	GASKET-LIQUID,TB1216,GRAY	1	1		
92107	92107-005	TOOL-DRIVER,#3PHILLIPS	1	1		
92107A	92107-1053	TOOL-DRIVER,#2PHILLIPS	1	1		
92110	92110-1116	TOOL-WRENCH,BOX,16MM	1	1		
92110A	92110-1129	TOOL-WRENCH,HOOK	1	1		
92110B	92110-1140	TOOL-WRENCH,ALLEN,3MM	1	1		
92110C	92110-1152	TOOL-WRENCH,OPEN END,10X12	1	1		
92110D	92110-1153	TOOL-WRENCH,OPEN END,14X17	1	1		

This catalog covers:

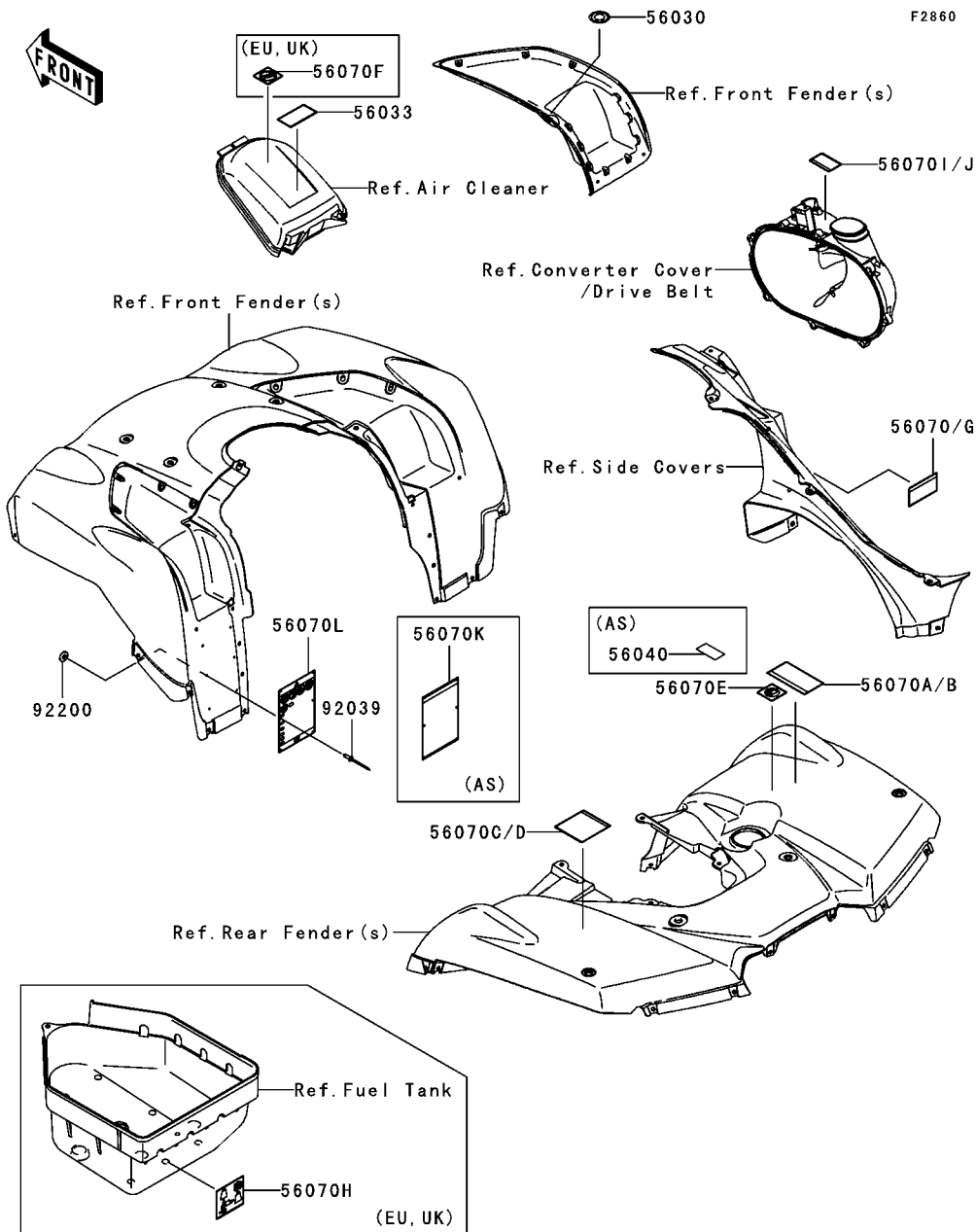
'06~'07 KVF750 A6F/A7F Chassis

GRID NO.

I-9

This grid covers:

Labels



Ref. No.	Part No.	Description	Spec Code	Quantity-KVF750			
				'06	'07		
				A6F	A7F		
56030	56030-0018	LABEL,IGNITION SWITCH		1	1		
56033	56033-0064	LABEL-MANUAL,AIR CLEANER		1	1		
56040	56040-1157	LABEL,UNLEADED PETROL ONLY					
		L-----AS		1	1		
56070	56070-0037	LABEL-WARNING,SHIFT LEVER(FREN					
		L-----EU		1	1		
56070A	56070-0038	LABEL-WARNING,DRIVE BELT		1	1		
56070B	56070-0039	LABEL-WARNING,DRIVE BELT(FRENC					
		L-----EU		1	1		
56070C	56070-0045	LABEL-WARNING,TIRE&MAX LOAD					
		L-----AS		1	1		
56070D	56070-0046	LABEL-WARNING,TIRE INFO					
		L-----EU,UK		1	1		
56070E	56070-1108	LABEL-WARNING,FUEL UNLEADED					
		L-----EU,UK		1	1		
56070F	56070-1110	LABEL-WARNING,AGE RECOMMEND					
		L-----EU,UK		1	1		
56070G	56070-1170	LABEL-WARNING,SHIFT LEVER		1	1		
56070H	56070-1266	LABEL-WARNING,TOWING					
		L-----EU,UK		1	1		
56070I	56070-1269	LABEL-WARNING,CVT COVER		1	1		
56070J	56070-1271	LABEL-WARNING,CVT COVER(FRENCH					
		L-----EU		1	1		
56070K	56070-1286	LABEL-WARNING,GENERAL					
		L-----AS		1	1		
56070L	56070-1292	LABEL-WARNING,GENERAL					
		L-----EU,UK		1	1		
92039	92039-3763	RIVET,3.2X8		6	6		
92200	92200-1251	WASHER,3.5X8X1		6	6		

This catalog covers:

'06~'07 KVF750 A6F/A7F Chassis

GRID NO.

I-10

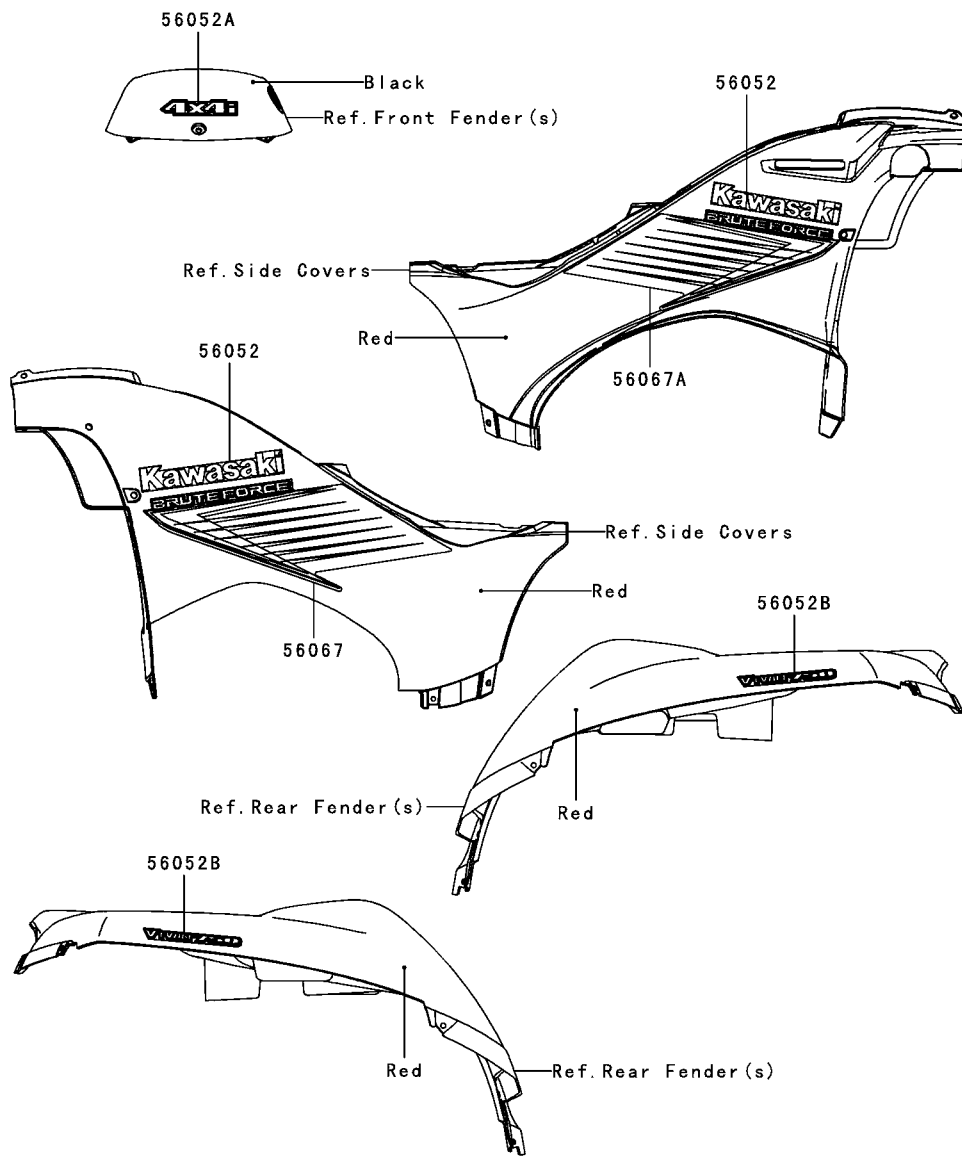
This grid covers:

Decals(Red)(A6F)(AS)

F2861

Ref. No.	Part No.	Description	Spec Code	Quantity-KVF750		
				'06	'07	
	A6F	A7F				

56052	56052-0145	MARK,SIDE COVER,KAWASAKI				
		L-----	AS	2		
56052A	56052-0404	MARK,TOP COVER,4X4I				
		L-----	AS	1		
56052B	56052-0687	MARK,RR FENDER,V TWIN 750				
		L-----	AS	2		
56067	56067-0249	PATTERN,SIDE COVER,LH				
		L-----	AS	1		
56067A	56067-0250	PATTERN,SIDE COVER,RH				
		L-----	AS	1		



This catalog covers:

'06~'07 KVF750 A6F/A7F Chassis

GRID NO.

I-11

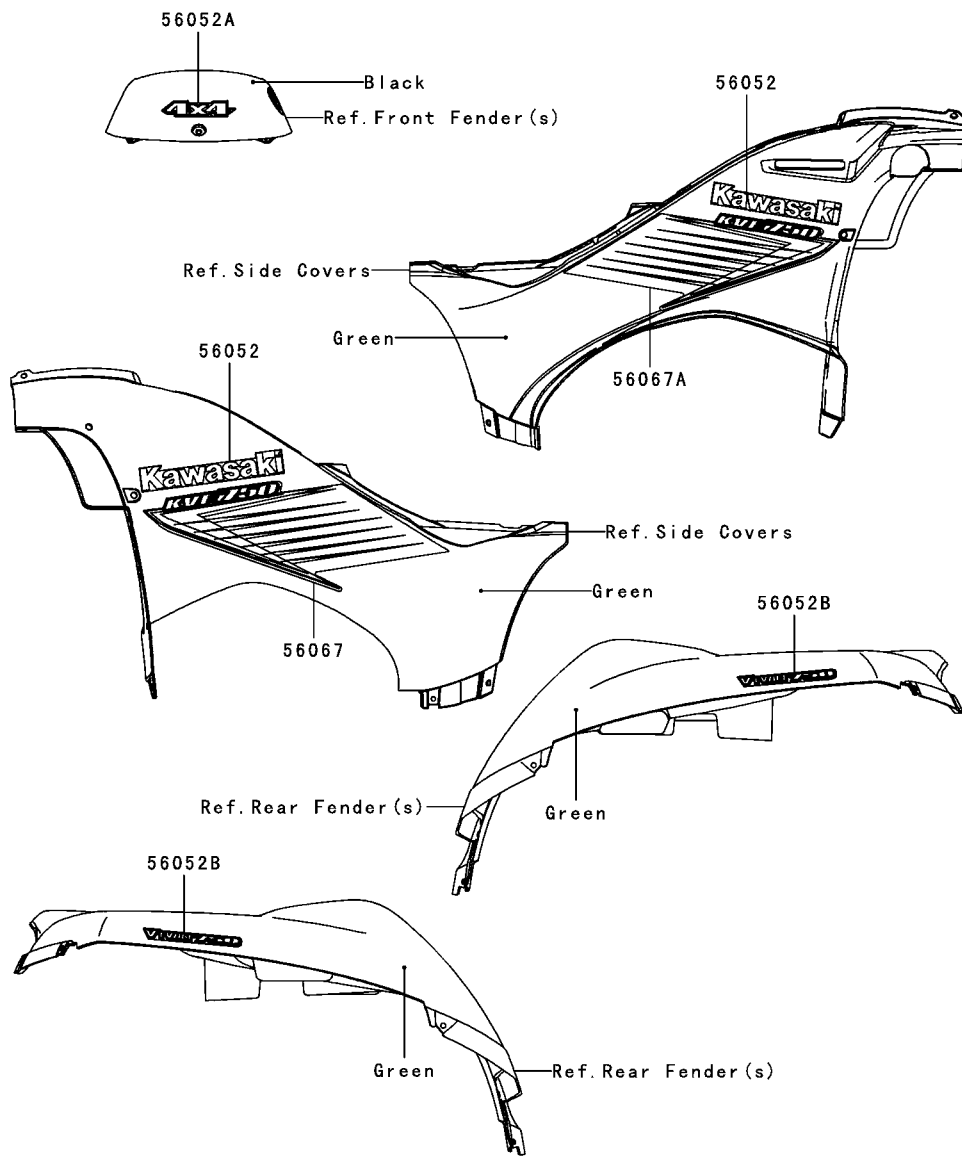
This grid covers:

Decals(Green)(A6F)(EU,UK)

F2861A

Ref. No.	Part No.	Description	Spec Code	Quantity-KVF750			
				'06	'07	A6F	A7F

56052	56052-0542	MARK,SIDE COVER,KAWASAKI				
		L-----	EU,UK	2		
56052A	56052-0565	MARK,TOP COVER,4X4				
		L-----	EU,UK	1		
56052B	56052-0686	MARK,RR FENDER,V TWIN 750				
		L-----	EU,UK	2		
56067	56067-0257	PATTERN,SIDE COVER,LH				
		L-----	EU,UK	1		
56067A	56067-0258	PATTERN,SIDE COVER,RH				
		L-----	EU,UK	1		



This catalog covers:

'06~'07 KVF750 A6F/A7F Chassis

GRID NO.

I-12

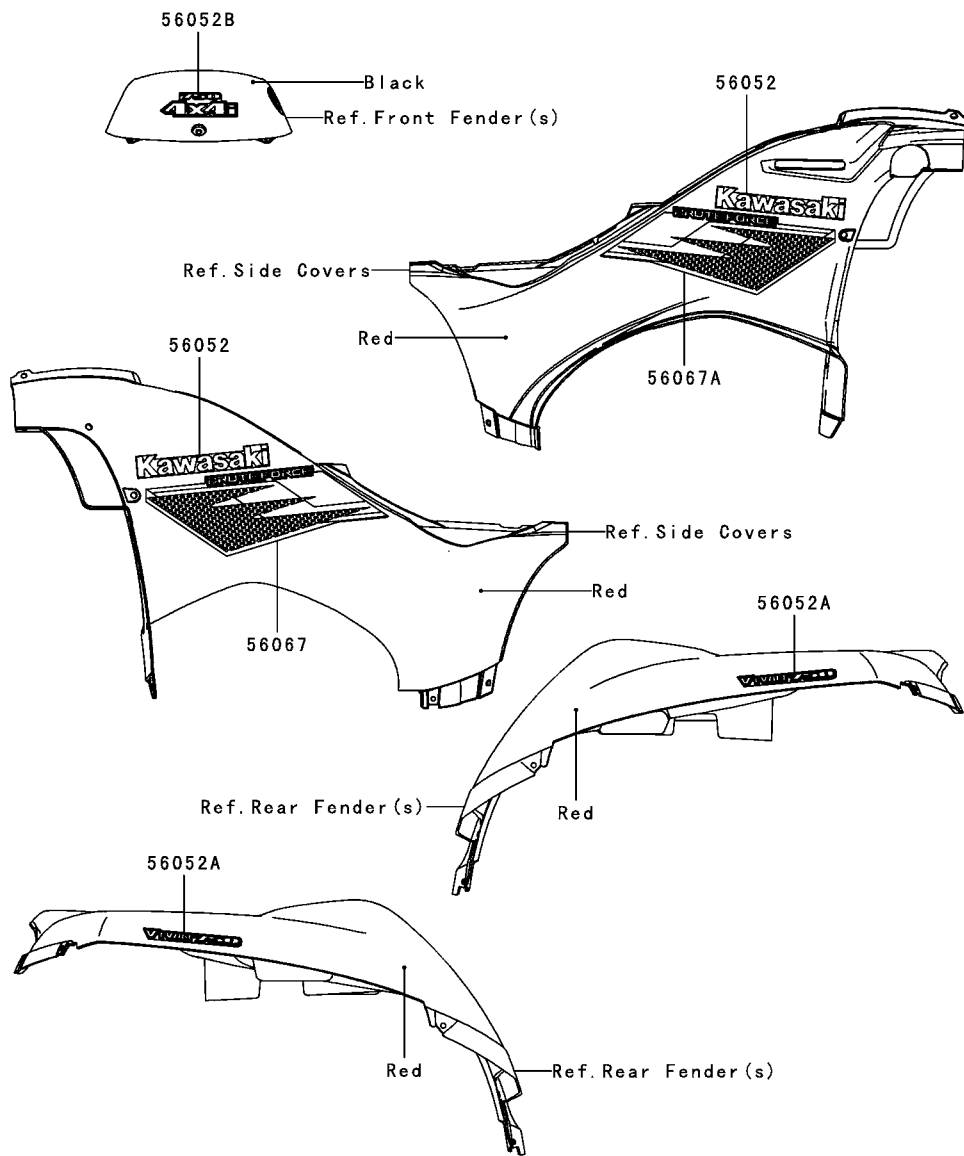
This grid covers:

Decals(Red)(A7F)(AS)

F2861B

Ref. No.	Part No.	Description	Spec Code	Quantity-KVF750			
				'06	'07	A6F	A7F

56052	56052-0145	MARK,SIDE COVER,KAWASAKI				
		L-----	AS			2
56052A	56052-0878	MARK,RR FENDER,V TWIN 750				
		L-----	AS			2
56052B	56052-0905	MARK,TOP COVER,750 4X4I				
		L-----	AS			1
56067	56067-0883	PATTERN,SIDE COVER,LH				
		L-----	AS			1
56067A	56067-0884	PATTERN,SIDE COVER,RH				
		L-----	AS			1



This catalog covers:

'06~'07 KVF750 A6F/A7F Chassis

GRID NO.

I-13

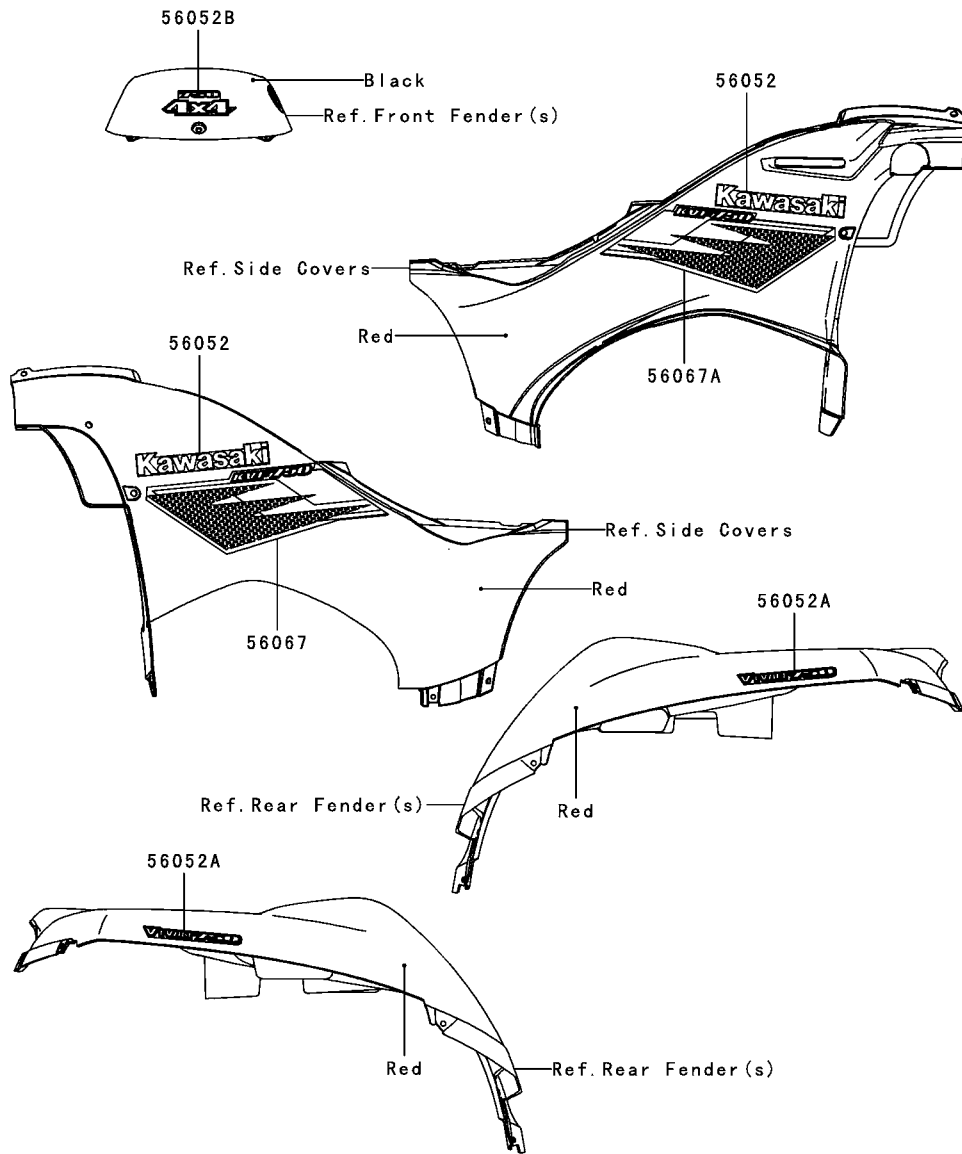
This grid covers:

Decals(Red)(A7F)(EU,UK)

F28610

Ref. No.	Part No.	Description	Spec Code	Quantity-KVF750			
				'06	'07		
				A6F	A7F		

56052	56052-0145	MARK,SIDE COVER,KAWASAKI				
		L-----	EU,UK			2
56052A	56052-0878	MARK,RR FENDER,V TWIN 750				
		L-----	EU,UK			2
56052B	56052-0909	MARK,TOP COVER,750 4X4				
		L-----	EU,UK			1
56067	56067-0887	PATTERN,SIDE COVER,LH				
		L-----	EU,UK			1
56067A	56067-0888	PATTERN,SIDE COVER,RH				
		L-----	EU,UK			1



This catalog covers:

'06~'07 KVF750 A6F/A7F Chassis

GRID NO.

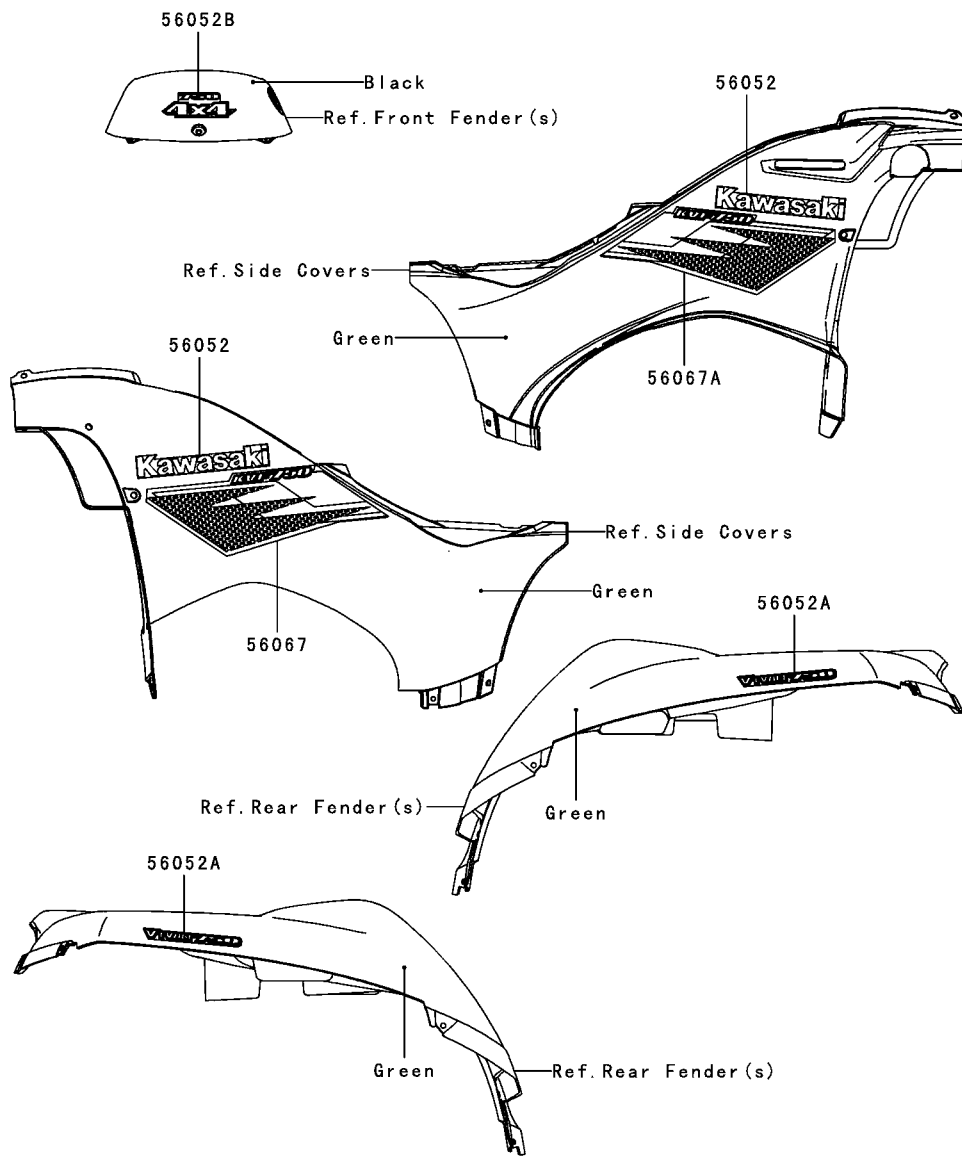
I-14

This grid covers:

Decals(Green)(A7F)(EU,UK)

F2861D

Ref. No.	Part No.	Description	Spec Code	Quantity-KVF750			
				'06	'07	A6F	A7F
56052	56052-0542	MARK,SIDE COVER,KAWASAKI					
		L-----	EU,UK				
56052A	56052-0877	MARK,RR FENDER,V TWIN 750					
		L-----	EU,UK				
56052B	56052-0909	MARK, TOP COVER,750 4X4					
		L-----	EU,UK				
56067	56067-0885	PATTERN,SIDE COVER,LH					
		L-----	EU,UK				
56067A	56067-0886	PATTERN,SIDE COVER,RH					
		L-----	EU,UK				



This catalog covers:

'06~'07 KVF750 A6F/A7F Chassis

GRID NO.

J-3

This grid covers:

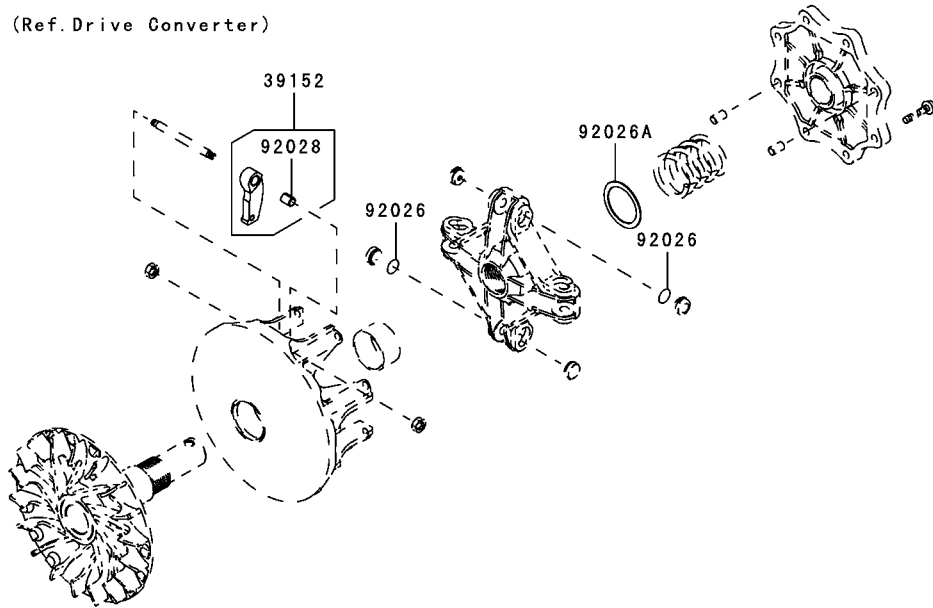
Optional Parts(Drive Converter)

F2890



Ref. No.	Part No.	Description	Spec Code	Quantity-KVF750			
				'06	'07		
				A6F	A7F		
39152	39152-1088 (OPTION)	WEIGHT-RAMP		4	4		
92026	92026-0038 (OPTION)	SPACER,T=0.1		2	2		
92026A	92026-1603 (OPTION)	SPACER,39X49.5X1.0		1	1		
92028	92028-1973	BUSHING		4	4		

(Ref. Drive Converter)



This catalog covers:

'06~'07 KVF750 A6F/A7F Chassis

GRID NO.

J-4

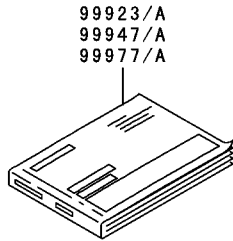
This grid covers:

Manual

F2920

Ref. No.	Part No.	Description	Spec Code	Quantity-KVF750			
				'06	'07		
				A6F	A7F		
99923	99923-1616	OWNER'S MANUAL,GERMAN					
		L-----	EU,UK	1			
99923A	99923-1617	OWNER'S MANUAL,GERMAN					
		L-----	EU,UK	1			
99947	99947-1377	OWNER'S MANUAL,FRENCH					
		L-----	EU,UK	1			
99947A	99947-1378	OWNER'S MANUAL,FRENCH					
		L-----	EU,UK	1			
99977	99977-1228	OWNER'S MANUAL,ENGLISH					
		L-----	EU,UK	1			
99977A	99977-1252	OWNER'S MANUAL,ENGLISH					
		L-----	EU,UK	1			

Owner's Manual
(Local Procurement)



99923/A
99947/A
99977/A

Ref. No.	Language
(99923/A)	German
(99947/A)	French
(99977/A)	English

This catalog covers:

'06~'07 KVF750 A6F/A7F

GRID NO.

This grid covers:

L-11 Numerical Parts Index

Part No.	Grid No.	Part No.	Grid No.	Part No.	Grid No.	Part No.	Grid No.	Part No.	Grid No.	Part No.	Grid No.
11004-0011	B-3	11060-1966	B-11	130G0616	H-6	13151-0003	I-7	132H0625	I-4	14024-1551	I-7
11005-0022	B-4	11060-1982	D-12	130G0616	H-8	13151-1080	B-14	132H0822	D-4	14031-0030	C-7
11005-0023	B-4	11060-1994	B-3	130G0630	H-6	13168-0042	E-3	132J0512	G-13	14037-0045	D-7
11008-0021	B-3	11061-0059	E-3	130G0630	H-8	13168-1715	H-3	132J0612	F-10	14041-0004	C-5
11008-0022	B-3	11061-0063	B-4	130G0635	D-14	13168-1724	D-12	132J0612	F-12	14041-1091	C-13
11009-1145	D-7	11061-0071	H-5	130G0816	E-4	13168-1725	D-12	132J0612	F-13	14041-1136	B-14
11009-1373	F-5	11061-0071	H-7	130J0610	B-6	13168-1736	H-3	132J0612	F-14	14041-1159	C-3
11009-1430	B-10	11061-0072	F-5	130J0610	B-8	13194-1094	D-5	132J0612	F-8	14041-1160	C-3
11009-1865	B-6	11061-1119	C-7	130J0610	I-6	13194-1094	D-6	132J0630	G-13	14041-1161	C-3
11009-1865	B-7	11061-1153	D-9	130J0614	H-14	13216-0017	E-3	132J0635	F-6	14055-0014	D-12
11009-1865	B-8	11065-0086	F-13	130J0614	I-3	13234-1112	C-14	132J0650	C-14	14055-1155	D-12
11009-1865	B-9	11065-0088	F-5	130J0616	F-14	13236-0034	E-5	132J0650	E-5	14055-1156	D-12
11009-1894	B-6	11065-0108	G-7	130J0616	F-6	13236-0046	C-5	132J0690	D-8	14057-0002	E-3
11009-1894	B-7	11065-0108	G-8	130J0616	G-4	13236-0047	C-5	132J0814	F-4	14057-1004	D-12
11009-1894	B-8	11065-1151	C-7	130J0616	I-6	13236-0048	C-5	132Y0612	B-3	14067-006	C-6
11009-1894	B-9	11065-1152	B-3	130J0620	D-3	13236-0051	B-14	132Y0612	B-4	14069-0002	C-11
11010-0023-6Z	B-5	112D0622	G-9	130J0625	G-4	13236-1343	B-14	132Y0612	C-14	14069-0002	C-9
11011-0017-6Z	B-5	115S0855	F-3	130J0812	F-13	13251-1143	B-12	132Y0612	C-7	14069-1051	C-7
11012-1084	D-7	12004-0007	B-10	130J0812	F-6	13260-1867	B-13	132Y0612	D-3	14073-0025	C-5
11012-1354	D-5	12005-0040	B-10	130J0814	H-14	13260-1871	B-13	132Y0612	D-8	14073-0026	C-5
11012-1354	D-6	12009-1056	B-10	130J0814	I-3	13260-1872	B-13	132Y06130	B-3	14073-0027	C-5
11012-1367	F-5	12011-1051	B-10	130J0820	G-9	13260-1873	B-13	132Y0614	C-10	14073-0028	C-5
11013-0007	B-5	12016-1128	B-10	130J0825	F-6	13260-1922	D-10	132Y0614	C-12	14073-0030	B-5
11050-1932	H-11	12016-1129	B-10	130J1016	H-14	13262-0234	B-13	132Y0620	B-3	14091-0132-6Z	I-4
11051-1929	F-4	12020-0004	B-10	130J1016	I-3	13262-0235	B-13	132Y0620	C-7	14091-0133-6Z	I-4
11052-1476	E-5	12046-0021	B-11	130P0860	H-4	13262-0313	B-13	132Y0620	D-4	14091-0135-6Z	G-3
11053-0642	G-9	12046-1203	B-11	130S1016	F-14	13262-0314	B-13	132Y0630	B-11	14091-0136-6Z	G-3
11053-0912	I-6	12048-1176	B-11	130S1016	H-10	13271-0539	E-3	132Y0630	B-14	14091-0137-260	H-13
11053-0936	H-5	12048-1177	B-11	130T0630	C-3	13271-0750	C-11	132Y0630	B-3	14091-0137-286	H-13
11053-0936	H-7	12053-1440	C-14	130Y0616	B-7	13271-0751	C-11	132Y0630	B-4	14091-0138-260	H-13
11053-0937	F-5	12053-1441	B-11	130Y0616	B-9	13271-1259	H-3	132Y0630	C-14	14091-0138-286	H-13
11053-0958	F-5	12053-1442	B-11	130Z0620	B-14	13271-1369	D-3	132Y0630	C-7	14091-0142	E-3
11053-0969	F-5	12053-1443	B-11	130Z0620	C-5	13271-1497	D-12	132Y0630	D-14	14091-0143	E-3
11053-0994	F-14	12053-1444	B-11	130Z0825	B-6	13271-1503	D-12	132Y0630	D-5	14091-0163	B-5
11053-0996	F-14	120P0610	B-11	130Z0825	B-7	13271-1635	H-3	132Y0630	D-6	14091-0164	B-5
11053-1247	H-5	120P0612	D-10	130Z0825	B-8	13271-1636	H-3	132Y0630	D-8	14091-0179	G-3
11053-1247	H-7	120P0628	D-3	130Z0825	B-9	13271-7506	F-3	132Y0640	B-4	14091-0252-6Z	G-4
11053-1299	C-11	120P0816	D-5	130Z0825	E-5	13280-0048	B-5	132Y0640	C-6	14091-0270-6Z	G-3
11053-1299	C-9	120P0816	D-6	130Z0860	E-4	13280-0082	D-7	132Y0655	C-7	14091-0291-6Z	H-14
11053-1592	F-4	120S0614	B-11	13107-0029	B-11	13280-0115	C-13	132Y0665	C-6	14091-0291-6Z	I-3
11053-1606	C-11	13001-0021	B-4	13107-0113	B-13	13280-1096	C-13	132Y0665	C-7	14091-0308	H-5
11053-1606	C-9	13002-1060	B-4	13107-0114	D-10	13280-1226	H-3	132Y0695	B-3	14091-0309	C-7
11053-1638	F-5	13008-0008	B-4	13107-0123	D-12	13280-1227	H-3	132Y08110	C-6	14091-0337	G-3
11053-1833	F-13	13031-0079	B-12	13107-1437	B-13	13280-1253	C-11	132Y0875	C-6	14091-0338	F-5
11053-1979	G-5	13042-1141	B-11	13107-1443	B-11	13280-1253	C-9	13310-0013	E-3	14091-0360	C-11
11053-1980	G-5	13061-1873	D-9	13107-1444	B-11	132E0620	D-7	13310-0014	E-3	14091-0360	C-9
11060-1174	I-5	13070-1352	B-14	13107-1505	D-11	132G0640	G-9	13320-1018	H-3	14091-0491	G-5
11060-1287	B-14	13070-1396	E-5	13127-1282	B-13	132H0616	D-4	14001-0015	C-6	14091-0492	G-5
11060-1956	B-14	13096-1163	D-12	13139-0003	B-13	132H0625	B-3	14014-0006	C-6	14091-0504	F-5
11060-1964	D-7	130G0516	D-3	13139-1097	D-12	132H0625	D-8	14014-1148	B-11	14091-0540	F-5

This catalog covers:

'06~'07 KVF750 A6F/A7F

GRID NO.

L-12

This grid covers:

Numerical Parts Index

Part No.	Grid No.	Part No.	Grid No.	Part No.	Grid No.	Part No.	Grid No.	Part No.	Grid No.	Part No.	Grid No.
14091-0608	H-7	16126-0015	C-13	21163-1320	D-5	26011-0030	C-9	34028-0022-6Z	F-14	39112-1080	B-14
14091-1197	D-12	16126-0027	H-7	21163-1320	D-6	26011-0052	I-6	34028-0054-6Z	F-14	39112-1084	E-5
14091-1246	C-13	16126-4001	G-6	21169-0001	C-11	26011-0053	I-6	34028-0055-6Z	F-14	39114-0006	F-3
14091-1365	C-7	16130-1058	C-14	21169-0001	C-9	26011-0111	D-6	34028-1487-21	F-14	39145-0001	B-5
14091-1403	H-3	16142-0002	D-7	21175-0086	D-4	26011-1755	C-14	35004-0047-260	G-3	39145-1121	E-5
14091-1421	C-5	16142-1162	C-14	21176-1104	D-4	26012-1414	I-6	35004-0047-286	G-3	39145-1135	C-5
15003-0087	C-9	16146-0011	H-11	21176-1109	D-4	26031-0346	I-6	35023-0050-260	G-4	39152-1081	C-3
15004-0007	C-11	16154-2059	C-14	21197-1006	C-11	26031-0441	I-6	35023-0050-286	G-4	39152-1088	J-3
15011-0088	C-11	16154-2060	C-14	21197-1006	C-9	27002-1095	I-6	35063-0098	F-14	39183-0002	I-6
15011-0088	C-9	16160-0046	D-7	220B0408	C-10	27003-1276	I-6	35063-0099	F-14	39183-0003	F-5
15011-0089	C-11	16160-0067	D-7	220B0408	C-12	27005-0019	I-7	35063-0164	H-10	39183-1065	F-5
15011-0089	C-9	16172-0006	C-5	220B0408	E-4	27008-1041	I-7	35063-0185-21	H-10	39186-0030	F-13
16007-1117	C-13	16172-0007	D-12	220B0425	I-7	27008-1042	I-7	35063-0185-388	H-10	39186-0033	F-11
16007-1178	B-10	16187-0156	C-13	220C0525	H-4	27008-1043	I-7	39007-0021	F-13	39186-0033	F-7
16007-1203	C-4	18018-0003	F-5	220C0535	H-4	27008-1044	I-7	39007-0022	F-13	39186-0033	F-9
16007-1205	D-11	18018-0004	C-11	220C0625	H-4	27008-1132	I-7	39007-0038	F-13	39186-0034	F-11
16007-1221	C-4	18018-0004	C-9	220D0308	H-4	27008-1133	I-7	39007-0039	F-13	39186-0034	F-7
16014-0009	C-13	18018-0009	F-5	220D0408	C-13	27008-1134	I-7	39007-0040	F-11	39186-0034	F-9
16016-1117	C-13	18020-0008	H-5	220D0414	C-13	27008-1135	I-7	39007-0040	F-7	39192-0033	B-3
16021-0011	C-11	18020-0008	H-7	221B0414	H-6	27010-0013	C-11	39007-0041	F-11	39192-0034	B-3
16021-0011	C-9	18087-0066	B-6	221B0616	C-6	27010-0013	C-9	39007-0041	F-7	39193-0015	C-14
16030-1007	C-13	18087-0066	B-8	223C0512	H-4	27010-0025	G-13	39007-0064	F-11	39193-1052	C-14
16031-1097	C-13	18087-0098	B-7	223D0408	C-10	27010-1098	D-5	39007-0064	F-9	39193-1053	C-14
16035-1055	C-13	18087-0098	B-9	223D0408	C-12	27010-1098	D-6	39007-0065	F-11	39193-1054	C-14
16044-007	C-13	18088-0146	B-6	223D0408	H-12	27010-1202	D-7	39007-0065	F-9	41009-0039	G-6
16065-0007	B-3	18088-0146	B-7	223D0514	C-10	27010-1294	H-3	39007-0066	F-11	41009-0053	G-6
16073-0011	H-13	18088-0146	B-8	223D0514	C-12	27010-1313	C-14	39007-0066	F-9	41009-0112	G-6
16073-0013	G-4	18088-0146	B-9	224C0610	D-8	27010-1346	D-7	39007-0067	F-11	41025-0043-379	G-6
16073-0014	G-4	180Y0612	B-6	224D0445	I-4	27010-1421	I-7	39007-0067	F-9	41025-0043-397	G-6
16073-0016	H-5	180Y0612	B-7	23005-0006	I-4	27010-1494	G-9	39007-7507	F-11	41025-0044-379	G-6
16073-0017	H-5	180Y0612	B-8	23005-0007	I-4	27045-0003	I-6	39007-7507	F-7	41025-0044-397	G-6
16073-0018	F-5	180Y0612	B-9	23007-0024	I-4	27045-1081	H-3	39007-7508	F-11	41046-1101	D-10
16073-0027	F-5	21003-0012	D-3	23007-0025	I-4	28012-1087	H-10	39007-7508	F-7	41046-1102	D-10
16073-0028	G-5	21007-0013	D-3	23016-1182	F-5	311C0500	H-11	39012-0005	F-5	41053-0006	G-9
16073-0029	G-5	21007-1416	D-10	23017-0001	I-4	312C0600	H-4	39012-5013	F-5	41072-007	G-9
16073-0030	H-13	21008-0001	D-7	23020-018	I-4	315B1000	E-5	39060-0016	D-7	41080-1482	E-3
16073-0031	G-4	21017-017	D-5	23025-0011	I-5	318G0800	B-6	39062-0034	D-7	41080-1483	E-3
16073-0032	G-4	21017-017	D-6	23026-1183	I-5	318G0800	B-7	39062-0035	D-7	41080-1484	E-3
16073-0033	H-7	21025-011	D-5	23026-1227	F-5	318G0800	B-8	39062-0036	D-7	41080-1512	D-12
16073-0034	H-7	21025-011	D-6	23058-002	F-5	318G0800	B-9	39062-0056	D-7	41080-1513	G-14
16073-0035	F-5	21039-1063	D-5	25008-0003	H-11	318G0800	E-5	39062-0075	D-7	410B0800	B-11
16073-0036	F-5	21039-1063	D-6	25009-004	H-11	32033-1535	C-14	39074-1062	H-3	42034-0006	E-3
16073-0037	G-5	21040-1057	D-5	25031-0034	H-11	32097-0009	F-5	39075-1062	H-3	42034-1192	D-12
16073-0038	G-5	21040-1057	D-6	25031-0057	H-11	32160-0135	F-3	39076-0005	D-5	42034-1193	D-11
16085-1238	D-5	21064-002	D-5	26004-0011	I-6	32190-0059	F-4	39076-0005	D-6	42036-0016	F-11
16085-1238	D-6	21064-002	D-6	26006-0004	I-6	32190-0060	F-4	39111-0023	F-3	42036-0016	F-7
16087-0002	H-5	21066-1127	D-3	26006-0005	I-6	321H1200	F-10	39111-1174	E-5	42036-0016	F-9
16087-0002	H-7	21119-0065	D-4	26011-0021	D-5	321H1200	F-12	39112-0009	F-3	42036-0018	G-10
16097-1072	C-14	21121-0018	D-4	26011-0026	I-6	321H1200	F-8	39112-0010	F-3	42036-0018	G-11
16115-1072	C-7	21130-1071	D-4	26011-0030	C-11	34028-0021-6Z	F-14	39112-1079	E-5	42036-0018	G-12

This catalog covers:

'06~'07 KVF750 A6F/A7F

GRID NO.

L-13

This grid covers:

Numerical Parts Index

Part No.	Grid No.	Part No.	Grid No.	Part No.	Grid No.	Part No.	Grid No.	Part No.	Grid No.	Part No.	Grid No.
42036-1190	F-13	481J2400	F-12	49065-1086	C-14	54005-0005	H-12	56052-0686	I-11	59302-0001	C-4
42036-1376	F-11	481J2400	F-13	49074-1055	C-4	54005-0009	H-12	56052-0687	I-10	59302-0002	C-4
42036-1376	F-13	481J2400	F-8	49078-0014	B-10	54010-0009	H-12	56052-0877	I-14	59302-0003	C-3
42036-1376	F-7	481J2500	D-11	49080-1061	D-9	54012-0108	H-12	56052-0878	I-12	59416-0004	F-5
42036-1376	F-9	481J2500	D-14	49085-1066	D-7	54017-0006	H-12	56052-0878	I-13	59437-0001	F-13
43001-0036	G-9	481J3700	C-6	49088-1058	D-9	54017-0028	H-12	56052-0905	I-12	59441-0005-260	H-3
43015-0036	G-13	481J5200	F-13	49091-0001	G-13	55020-0064-6Z	H-14	56052-0909	I-13	59441-0005-286	H-3
43020-1054	G-13	482J5000	B-11	49093-0014	C-3	55020-0064-6Z	I-3	56052-0909	I-14	59441-0006-6Z	H-3
43020-1101	G-14	482J6000	C-14	49094-0019	C-4	55020-0065	H-14	56067-0249	I-10	59502-0011	D-7
43022-1010	G-13	482L8000	H-12	49106-0011	B-6	55020-0065	I-3	56067-0250	I-10	600A1000	B-14
43026-1074	G-13	49002-1097	B-3	49106-0011	B-8	55020-0105	H-14	56067-0257	I-11	600A1100	D-14
43028-1061	G-13	49006-0007	E-3	49106-0048	B-7	55020-0105	I-3	56067-0258	I-11	601A6000	C-6
43028-1085	C-13	49006-0008	E-3	49106-0048	B-9	55020-0109-6Z	F-11	56067-0883	I-12	601A6004	C-6
43034-1016	G-13	49006-0016	D-12	49107-0042	B-6	55020-0109-6Z	F-7	56067-0884	I-12	601A6005	E-4
43045-1010	G-14	49006-0017	D-12	49107-0042	B-8	55020-0109-6Z	F-9	56067-0885	I-14	601A6007	E-4
43049-1063	G-14	49006-0018	E-3	49107-0049	B-6	55020-0110-6Z	F-11	56067-0886	I-14	601A6011	E-4
43049-1064	G-14	49006-0019	E-3	49107-0049	B-8	55020-0110-6Z	F-7	56067-0887	I-13	601A6304	C-6
43049-1088	H-3	49006-0021	E-3	49107-0050	B-6	55020-0110-6Z	F-9	56067-0888	I-13	601A6305	D-14
43049-1103	H-5	49006-0028	C-9	49107-0050	B-7	55020-0149-21	H-14	56070-0037	I-9	601B6206	D-10
43056-1055	G-14	49006-1040	G-13	49107-0050	B-8	55020-0166-6Z	F-13	56070-0038	I-9	670B2015	G-9
43057-1001	G-14	49006-1088	G-14	49107-0050	B-9	55020-0167-6Z	F-13	56070-0039	I-9	670B2016	B-3
43078-0024	D-7	49006-1242	G-14	49107-0065	B-7	55020-0247	D-4	56070-0041	H-10	670D1505	C-14
43080-0019-DJ	G-14	49006-1292	B-5	49107-0065	B-9	55020-0270-388	I-3	56070-0045	I-9	670D1507	C-14
43080-0020-DJ	G-14	49006-1338	G-13	49107-0066	B-7	550D2015	F-3	56070-0046	I-9	670D2016	C-14
43082-0022	G-14	49006-1353	C-11	49107-0066	B-9	550D2015	G-9	56070-1103	H-10	670D2018	C-7
43082-0023	G-14	49006-1362	D-11	49107-0067	B-7	550D2022	G-9	56070-1108	I-9	670D3022	C-5
43095-0078	G-13	49016-1044	G-13	49107-0067	B-9	550D3025	F-10	56070-1110	I-9	670D3022	D-14
45014-0075	G-10	49022-0009	E-3	49116-1126	C-11	550D3025	F-12	56070-1170	I-9	671D25145	D-14
45014-0075	G-11	49022-0010	D-10	49116-1126	C-9	550D3025	F-3	56070-1253	H-10	671D2530	C-4
45014-0076	G-10	49022-0011	D-10	49118-0001	B-11	550D3025	F-8	56070-1266	I-9	671D2550	C-4
45014-0076	G-11	49022-1177	D-12	49118-0002	B-11	550D4025	G-7	56070-1269	I-9	671D2585	D-10
45014-0138	G-10	49022-1178	D-12	51001-0058	H-5	550D4025	G-8	56070-1271	I-9	702A07035	C-7
45014-0138	G-12	49022-1190	D-12	51001-0058	H-7	551A0408	C-14	56070-1286	I-9	702A09080	C-10
45014-0139	G-10	49022-1201	D-12	51023-0011	H-5	551A0408	D-8	56070-1292	I-9	702A09080	C-12
45014-0139	G-12	49030-0009	G-8	51023-0022	H-7	555A0428	E-4	59006-0002	B-5	92001-1728	G-13
46003-1580	H-3	49030-0013	G-7	51049-1128	H-5	56007-0014	I-8	59011-0003	C-4	92001-1980	B-12
46012-1168	H-3	49040-0005	C-8	51049-1128	H-7	56008-1007	I-8	59026-0005	D-3	92002-1323	G-13
46066-0001	I-6	49047-1104	B-14	510A4200	D-3	56019-120	I-8	59041-0002	D-7	92002-1571	F-5
46075-0046	E-5	49048-1087	C-3	52005-0011	H-5	56030-0018	I-9	59071-3717	H-5	92002-1571	I-6
46075-7501	H-3	49048-1088	C-3	52005-0011	H-7	56033-0064	I-9	59071-3717	H-7	92002-1894	G-13
46076-1238	H-3	49048-1089	C-3	52005-1082	I-8	56033-0078	C-6	59256-1069	D-7	92002-1934	H-10
46091-1847	H-3	49048-1090	C-3	53004-0002	F-5	56040-1157	I-9	59266-0002	E-3	92004-1217	B-3
46092-1208	G-13	49048-1091	C-3	53029-0032-388	H-10	56040-1321	H-10	59266-0007	D-12	92005-0029	C-11
46092-1217	H-3	49048-1092	C-3	53029-0033-388	H-10	56052-0145	I-10	59266-0008	D-12	92005-0029	C-9
46102-0055	F-13	49048-1093	C-3	53029-0034-388	H-10	56052-0145	I-12	59266-0013	F-11	92005-0030	C-11
46102-0056	F-13	49048-1094	C-3	53029-0044-388	H-10	56052-0145	I-13	59266-0013	F-13	92005-0030	C-9
480J1000	C-5	49048-1095	C-3	53029-0045-388	H-10	56052-0404	I-10	59266-0013	F-7	92005-1017	C-11
480J1400	B-11	49050-1081	C-3	53064-0002	G-3	56052-0542	I-11	59266-0013	F-9	92005-1017	C-9
480J2800	D-10	49054-1055	D-7	53066-0058-MA	H-9	56052-0542	I-14	59266-1125	F-3	92005-1264	B-3
481J2400	F-10	49063-1055	D-7	53066-0128-MA	H-9	56052-0565	I-11	59301-1070	C-3	92005-1369	C-7

This catalog covers:

'06~'07 KVF750 A6F/A7F

GRID NO.

This grid covers:

L-14 Numerical Parts Index

Part No.	Grid No.	Part No.	Grid No.	Part No.	Grid No.	Part No.	Grid No.	Part No.	Grid No.	Part No.	Grid No.
92005-1387	C-5	92015-1311	B-12	92022-1132	D-5	92027-1964	H-14	92039-3763	G-5	92049-1198	F-13
92009-1028	H-11	92015-1335	F-13	92022-1132	D-6	92027-1964	I-3	92039-3763	I-9	92049-1218	B-10
92009-1069	F-5	92015-1335	G-10	92022-125	I-4	92028-1466	F-13	92041-1061	C-11	92049-1223	F-12
92009-1113	B-5	92015-1335	G-11	92022-1342	F-6	92028-1961	B-12	92041-1061	C-9	92049-1223	F-13
92009-1113	C-11	92015-1335	G-12	92022-1346	H-13	92028-1962	B-12	92043-0083	D-12	92049-1223	F-7
92009-1113	C-9	92015-1339	D-12	92022-1373	G-14	92028-1963	B-12	92043-076	C-14	92049-1223	F-9
92009-1123	H-5	92015-1356	F-6	92022-1380	C-11	92028-1973	C-3	92043-1013	G-9	92049-1228	C-7
92009-1166	F-5	92015-1406	H-10	92022-1380	C-9	92028-1973	J-3	92043-1263	B-3	92049-1271	B-14
92009-1197	H-11	92015-1410	G-9	92022-1458	D-5	92028-1975	C-3	92043-1263	C-3	92049-1452	C-6
92009-1254	H-11	92015-1415	F-11	92022-1458	D-6	92028-1986	H-3	92043-1263	C-7	92049-1458	E-5
92009-1378	I-5	92015-1415	F-13	92022-1557	I-5	92033-1037	B-13	92043-1263	D-12	92049-1528	C-4
92009-1435	H-3	92015-1415	F-7	92022-1581	G-3	92033-1039	B-11	92043-1506	C-6	92049-1529	D-10
92009-1458	G-13	92015-1415	F-9	92022-1582	G-9	92033-1207	B-4	92043-1567	E-3	92049-1534	D-12
92009-1480	C-11	92015-1432	B-14	92022-1720	B-3	92033-1274	F-11	92043-1575	D-12	92049-1536	D-12
92009-1480	C-9	92015-1432	E-5	92022-1829	C-5	92033-1274	F-7	92043-1617	E-3	92049-1537	E-3
92009-1480	F-13	92015-1476	D-5	92022-1829	F-11	92033-1274	F-9	92043-1688	C-3	92049-1550	D-12
92009-1549	C-13	92015-1476	D-6	92022-1829	F-7	92033-1317	C-4	92043-4009	B-3	92049-1570	C-6
92009-1551	C-13	92015-1487	D-7	92022-1829	F-9	92037-010	C-11	92043-4009	B-4	92049-1572	D-13
92009-1621	F-6	92015-1567	I-7	92022-1837	H-3	92037-010	C-9	92045-0012	C-6	92049-1573	D-13
92009-1621	G-3	92015-1573	H-11	92022-1838	H-3	92037-1104	D-12	92045-0021	F-13	92049-1575	C-6
92009-1621	G-3	92015-1596	H-3	92022-1888	I-7	92037-1104	E-3	92045-0026	E-3	92049-1576	C-7
92009-1621	H-13	92015-1602	F-14	92022-237	B-7	92037-1460	B-5	92045-1190	C-6	92049-1578	H-3
92009-1621	H-14	92015-1602	F-6	92022-237	B-9	92037-1461	B-3	92045-1190	D-10	92049-1578	H-3
92009-1621	I-3	92015-1602	G-3	92022-2373	H-5	92037-1461	C-8	92045-1207	D-10	92049-1578	H-3
92009-1652	H-11	92015-1602	G-3	92022-2373	H-7	92037-1461	H-5	92045-1246	C-7	92055-0054	H-5
92009-1654	H-3	92015-1602	G-4	92022-276	B-6	92037-1461	H-7	92045-1246	C-7	92055-0081	H-7
92009-1655	G-3	92015-1602	H-13	92022-276	B-7	92037-147	B-5	92045-1389	C-6	92055-0111	H-7
92009-1655	H-13	92015-1602	I-3	92022-276	B-8	92037-147	C-11	92045-1393	D-12	92055-0112	B-3
92009-1663	H-11	92015-1602	I-4	92022-276	B-9	92037-147	C-7	92045-1394	D-12	92055-086	B-11
92009-1664	I-4	92015-1603	F-14	92022-304	B-4	92037-147	C-9	92045-1403	C-7	92055-1081	D-7
92009-1667	D-10	92015-1603	H-13	92022-304	D-7	92037-147	D-7	92045-1448	F-11	92055-1136	C-6
92009-1667	E-3	92015-1692	I-4	92022-3742	F-3	92037-1505	B-5	92045-1448	F-7	92055-1136	C-7
92009-1694	C-5	92015-1710	G-3	92026-0034	C-4	92037-1505	C-8	92045-1448	F-9	92055-1136	D-13
92009-1694	D-7	92015-1757	G-3	92026-0038	J-3	92037-1505	H-5	92046-1046	F-12	92055-1136	E-3
92009-1858	C-11	92015-1757	H-3	92026-1415	B-13	92037-1505	H-7	92046-1046	F-13	92055-1146	C-7
92009-1858	C-9	92015-1792	I-3	92026-1565	C-4	92037-1505	C-11	92046-1046	F-7	92055-1215	D-9
92009-1878	C-11	92015-1829	H-3	92026-1568	B-13	92037-1539	C-9	92046-1046	F-9	92055-1276	D-5
92009-1878	C-9	92016-061	B-10	92026-1569	C-4	92037-1589	D-7	92046-1118	C-6	92055-1276	D-6
92009-1914	D-10	92019-008	C-3	92026-1570	C-4	92037-1780	C-5	92046-1143	C-6	92055-1279	C-7
92009-1914	D-12	92019-008	H-5	92026-1587	B-13	92037-1827	D-3	92046-1276	B-13	92055-1279	D-7
92009-1959	H-3	92019-008	H-7	92026-1599	B-13	92037-1827	D-7	92046-1277	C-6	92055-1370	D-5
92009-1961	H-3	92019-008	I-5	92026-1600	B-13	92037-1827	I-6	92046-1278	B-13	92055-1370	D-6
92009-1993	C-5	92022-024	F-11	92026-1603	C-3	92037-1972	C-11	92046-1279	B-13	92055-1381	D-5
92013-009	B-10	92022-024	F-13	92026-1603	J-3	92037-1972	C-9	92046-1280	E-3	92055-1381	D-6
92015-1094	F-6	92022-024	F-7	92026-1617	C-4	92037-1972	C-9	92046-1282	D-12	92055-1589	C-13
92015-1094	I-4	92022-024	F-9	92027-1472	F-4	92038-1051	D-9	92046-1286	D-12	92055-1630	C-5
92015-1193	D-5	92022-1049	G-9	92027-162	I-4	92039-1229	H-5	92046-1297	D-12	92055-1631	E-3
92015-1193	D-6	92022-1065	F-11	92027-162	I-5	92039-1229	H-7	92048-0002	D-5	92055-1632	C-7
92015-1233	G-13	92022-1065	F-7	92027-1847	H-5	92039-1229	I-4	92048-0002	D-6	92055-1633	D-11
92015-1259	G-3	92022-1065	F-9	92027-1847	H-7	92039-1260	G-5	92049-0028	E-3	92055-1633	E-3
						92039-3719	F-6	92049-0029	E-3	92055-1664	H-5

This catalog covers:

'06~'07 KVF750 A6F/A7F

GRID NO.

This grid covers:

L-15 Numerical Parts Index

Part No.	Grid No.	Part No.	Grid No.	Part No.	Grid No.	Part No.	Grid No.	Part No.	Grid No.	Part No.	Grid No.
92055-1693	D-11	92072-056	H-5	92143-1025	F-6	92150-1686	F-7	92153-0627	G-13	92170-1051	C-9
92055-1693	E-3	92072-056	H-7	92143-1057	F-14	92150-1686	F-9	92153-0665	H-14	92170-1497	D-7
92055-1718	D-4	92072-1239	C-5	92143-1057	F-6	92150-1800	G-14	92153-0665	I-3	92170-1514	B-5
92055-2185	C-7	92072-1239	D-13	92143-1057	H-13	92150-1884	D-13	92153-0666	F-13	92170-1514	D-3
92057-0073	B-11	92072-1239	D-4	92143-1057	I-4	92150-1987	D-9	92153-0678	C-5	92170-1514	I-5
92057-0074	B-11	92072-1239	F-6	92143-1087	F-14	92151-1393	C-3	92153-0748	H-10	92170-1674	B-3
92057-0075	C-14	92072-1239	H-12	92143-1087	F-6	92151-1686	C-5	92153-0824	H-5	92170-1763	B-5
92059-1679	D-13	92072-1239	H-5	92143-1087	G-3	92151-1687	B-14	92153-0824	H-7	92170-1764	C-5
92059-1736	C-11	92072-1239	H-7	92143-1087	G-3	92151-1688	D-10	92153-0847	F-6	92170-1925	D-3
92059-1736	C-9	92072-1239	I-6	92143-1087	G-4	92151-1689	C-6	92153-0870	D-13	92171-0208	C-5
92063-1324	C-13	92072-3509	I-6	92143-1087	H-13	92151-1699	B-14	92153-0870	E-4	92171-0223	G-3
92063-1330	C-13	92075-1690	I-4	92143-1087	H-14	92151-1781	C-14	92153-0871	F-4	92171-0225	B-5
92063-1331	C-13	92075-1882	H-5	92143-1087	I-3	92151-1793	G-14	92153-0872	F-4	92171-0228	H-12
92063-1332	C-13	92075-1882	H-7	92143-1087	I-4	92151-1794	D-13	92153-0890	G-7	92171-0329	C-6
92063-1344	C-13	92075-209	D-7	92143-1216	H-3	92151-1795	D-13	92153-0890	G-8	92171-0378	H-4
92063-1345	C-13	92075-261	H-14	92143-1353	D-7	92151-1908	E-4	92153-0930	F-4	92171-0380	H-5
92063-1346	C-13	92075-261	I-3	92143-1857	C-14	92151-1909	E-4	92153-0931	H-10	92171-0380	H-7
92064-0011	C-13	92081-112	C-14	92143-1960	G-4	92151-1910	D-13	92153-0991	F-4	92171-0514	C-6
92065-023	D-13	92081-1620	C-11	92144-1319	G-14	92151-1914	F-4	92153-1052	B-5	92171-0515	H-5
92065-023	E-3	92081-1620	C-9	92144-1451	C-11	92151-1917	B-3	92153-1065	F-3	92171-0515	H-7
92065-058	B-14	92081-1896	I-4	92144-1451	C-9	92151-1944	B-6	92153-1129	H-4	92171-0722	B-3
92065-097	C-6	92092-0004	F-13	92145-0097	C-13	92151-1944	B-8	92153-1139	G-10	92171-1095	H-4
92066-0011	C-7	92092-0007	G-10	92145-0130	E-5	92151-1975	H-4	92153-1139	G-11	92171-1329	C-14
92066-0012	C-7	92092-0007	G-11	92145-0144	G-9	92152-0155	F-6	92153-1139	G-12	92171-1330	B-6
92066-0035	H-14	92092-0007	G-12	92145-0267	C-13	92152-0181	H-14	92153-1200	B-11	92171-1330	B-7
92066-0035	I-3	92093-0016	C-5	92145-1297	B-14	92152-0181	I-3	92153-1374	H-10	92171-1330	B-8
92066-0036	F-6	92093-0017	B-5	92145-1299	B-14	92152-0191	F-6	92153-1375	H-10	92171-1330	B-9
92066-1077	H-3	92093-0024	F-6	92145-1301	E-3	92152-0198	H-14	92153-1502	F-4	92171-1344	H-4
92066-1174	C-6	92093-0028	F-6	92145-1303	B-11	92152-0198	I-3	92153-7007	D-9	92171-7501	F-3
92066-1211	B-5	92093-0033	G-10	92145-1304	D-11	92152-0254	H-10	92160-1007	D-7	92172-0002	F-14
92066-1289	B-3	92093-0033	G-11	92145-1304	E-4	92152-0255	H-10	92160-1074	H-4	92172-0002	G-4
92066-1303	D-13	92093-0033	G-12	92145-1313	G-9	92152-0257	H-10	92160-1151	F-6	92172-0002	H-13
92066-1303	E-3	92093-0038	G-5	92145-1344	D-13	92152-0268	C-11	92160-1162	I-5	92172-0078	H-4
92066-1580	C-5	92093-1046	C-13	92145-1392	H-3	92152-0268	C-9	92160-1460	H-11	92172-0130	B-5
92066-2196	B-10	92093-1548	C-5	92145-1421	G-9	92152-0423	B-7	92160-1594	B-5	92172-0131	B-5
92069-0005	I-4	92093-1580	G-5	92145-1429	H-3	92152-0423	B-9	92161-0048	F-6	92172-0259	H-7
92069-0006	I-4	92104-0004	I-8	92145-1465	C-3	92152-1176	H-4	92161-0106	G-4	92172-0260	H-7
92069-063	I-5	92104-1063	I-8	92145-1499	C-4	92152-1222	E-5	92161-0106	H-5	92180-0161	E-4
92069-085	F-6	92107-005	I-8	92145-1567	C-5	92152-1332	C-5	92161-0106	H-7	92180-0162	E-4
92070-1209	D-4	92107-1053	I-8	92150-1144	G-14	92152-1349	D-13	92161-0125	H-5	92180-0163	E-4
92071-1128	I-6	92110-1116	I-8	92150-1186	D-7	92152-1351	F-3	92161-0125	H-7	92180-0164	E-4
92072-0033	F-6	92110-1129	I-8	92150-1243	D-5	92152-1455	F-12	92161-0215	F-4	92180-0165	E-4
92072-0040	F-6	92110-1140	I-8	92150-1243	D-6	92152-1455	F-13	92161-0265	F-13	92180-0166	E-4
92072-030	D-7	92110-1152	I-8	92150-1302	B-3	92152-1455	F-7	92161-0319	B-7	92180-1307	D-10
92072-030	H-12	92110-1153	I-8	92150-1384	F-12	92152-1455	F-9	92161-0319	B-9	92180-1308	D-10
92072-030	I-6	92122-1209	C-4	92150-1384	F-7	92152-7501	F-3	92161-1111	H-5	92180-1309	D-10
92072-031	H-5	92139-0084	G-10	92150-1384	F-9	92153-0311	E-4	92161-1111	H-7	92180-1310	D-10
92072-031	H-7	92139-0084	G-11	92150-1420	H-4	92153-0361	H-5	92161-1114	H-11	92180-1311	D-10
92072-031	I-6	92139-0084	G-12	92150-1624	F-13	92153-0361	H-7	92161-1127	F-6	92180-1312	D-10
92072-056	E-3	92140-1064	E-3	92150-1686	F-12	92153-0574	I-4	92170-1051	C-11	92180-1313	D-10

This catalog covers:

'06~'07 KVF750 A6F/A7F

GRID NO.

B-16

This grid covers:

Part Name Index

Air Cleaner.....	B-5
Brake Pedal.....	G-9
Cables.....	H-12
Camshaft(s).....	B-11
Carburetor Parts.....	C-13
Carburetor(A6F).....	C-10/C-9
Carburetor(A7F).....	C-11/C-12
Carrier(s).....	H-10
Chassis Electrical Equipment.....	I-6
Control.....	E-5
Converter Cover.....	C-5
Crankcase.....	C-6
Crankshaft.....	B-12
Cylinder.....	B-4
Cylinder Head.....	B-3
Decals(Green)(A6F)(EU,UK).....	I-11
Decals(Green)(A7F)(EU,UK).....	I-14
Decals(Red)(A6F)(AS).....	I-10
Decals(Red)(A7F)(AS).....	I-12
Decals(Red)(A7F)(EU,UK).....	I-13
Drive Belt.....	C-4
Drive Converter.....	C-3
Drive Shaft-Front.....	D-12/D-13/D-14
Drive Shaft-Propeller.....	D-11
Drive Shaft-Rear.....	E-3/E-4
Driven Converter.....	C-4
Engine Cover(s).....	C-7
Engine Mount.....	F-4
Flap.....	G-5
Footrests.....	F-14
Frame.....	F-3
Frame Fittings.....	F-5/F-6
Front Bevel Gear.....	D-10
Front Brake.....	G-14
Front Fender(s).....	G-3
Front Hub.....	G-7
Front Master Cylinder.....	G-13
Front Suspension(~JKAVFDA1 6B524414).....	F-7/F-8
Front Suspension(EU,UK).....	F-11/F-12
Front Suspension(JKAVFDA1 6B524415~).....	F-10/F-9

Fuel Pump.....	C-8
Fuel Tank(A6F).....	H-5/H-6
Fuel Tank(A7F).....	H-7/H-8
Gear Change Mechanism.....	B-14
Generator.....	D-3
Guard(s)(A6F).....	H-14
Guard(s)(A7F).....	I-3
Handlebar.....	H-3/H-4
Headlight(s).....	I-4
Ignition Switch.....	I-7
Ignition System.....	D-4
Labels.....	I-9
Manual.....	J-4
Meter(s).....	H-11
Muffler(s)(~JKAVF750AAB601906).....	B-8
Muffler(s)(~JKAVFDA1 6B503806).....	B-6
Muffler(s)(JKAVF750AAB601907~).....	B-9
Muffler(s)(JKAVFDA1 6B503807~).....	B-7
Oil Pump.....	C-14
Optional Parts(Drive Converter).....	J-3
Owner's Tools.....	I-8
Piston(s).....	B-4
Radiator.....	D-7/D-8
Rear Fender(s).....	G-4
Rear Hub.....	G-8
Rear Suspension.....	F-13
Recoil Starter.....	D-9
Seat.....	H-9
Shock Absorber(~JKAVF750AAB601707).....	G-11
Shock Absorber(JKAVF750AAB601708~).....	G-12
Shock Absorber(s)(AS).....	G-10
Side Covers.....	H-13
Starter Motor(A6F).....	D-5
Starter Motor(A7F).....	D-6
Taillight(s).....	I-5
Tensioner.....	B-11
Tires.....	G-6
Transmission.....	B-13
Valve(s).....	B-10

This catalog covers:

'06~'07 KVF750 A6F/A7F

GRID NO.

C-16

This grid covers:

Part Name Index

Air Cleaner.....	B-5
Brake Pedal.....	G-9
Cables.....	H-12
Camshaft(s).....	B-11
Carburetor Parts.....	C-13
Carburetor(A6F).....	C-10/C-9
Carburetor(A7F).....	C-11/C-12
Carrier(s).....	H-10
Chassis Electrical Equipment.....	I-6
Control.....	E-5
Converter Cover.....	C-5
Crankcase.....	C-6
Crankshaft.....	B-12
Cylinder.....	B-4
Cylinder Head.....	B-3
Decals(Green)(A6F)(EU,UK).....	I-11
Decals(Green)(A7F)(EU,UK).....	I-14
Decals(Red)(A6F)(AS).....	I-10
Decals(Red)(A7F)(AS).....	I-12
Decals(Red)(A7F)(EU,UK).....	I-13
Drive Belt.....	C-4
Drive Converter.....	C-3
Drive Shaft-Front.....	D-12/D-13/D-14
Drive Shaft-Propeller.....	D-11
Drive Shaft-Rear.....	E-3/E-4
Driven Converter.....	C-4
Engine Cover(s).....	C-7
Engine Mount.....	F-4
Flap.....	G-5
Footrests.....	F-14
Frame.....	F-3
Frame Fittings.....	F-5/F-6
Front Bevel Gear.....	D-10
Front Brake.....	G-14
Front Fender(s).....	G-3
Front Hub.....	G-7
Front Master Cylinder.....	G-13
Front Suspension(~JKAVFDA1 6B524414).....	F-7/F-8
Front Suspension(EU,UK).....	F-11/F-12
Front Suspension(JKAVFDA1 6B524415~).....	F-10/F-9

Fuel Pump.....	C-8
Fuel Tank(A6F).....	H-5/H-6
Fuel Tank(A7F).....	H-7/H-8
Gear Change Mechanism.....	B-14
Generator.....	D-3
Guard(s)(A6F).....	H-14
Guard(s)(A7F).....	I-3
Handlebar.....	H-3/H-4
Headlight(s).....	I-4
Ignition Switch.....	I-7
Ignition System.....	D-4
Labels.....	I-9
Manual.....	J-4
Meter(s).....	H-11
Muffler(s)(~JKAVF750AAB601906).....	B-8
Muffler(s)(~JKAVFDA1 6B503806).....	B-6
Muffler(s)(JKAVF750AAB601907~).....	B-9
Muffler(s)(JKAVFDA1 6B503807~).....	B-7
Oil Pump.....	C-14
Optional Parts(Drive Converter).....	J-3
Owner's Tools.....	I-8
Piston(s).....	B-4
Radiator.....	D-7/D-8
Rear Fender(s).....	G-4
Rear Hub.....	G-8
Rear Suspension.....	F-13
Recoil Starter.....	D-9
Seat.....	H-9
Shock Absorber(~JKAVF750AAB601707).....	G-11
Shock Absorber(JKAVF750AAB601708~).....	G-12
Shock Absorber(s)(AS).....	G-10
Side Covers.....	H-13
Starter Motor(A6F).....	D-5
Starter Motor(A7F).....	D-6
Taillight(s).....	I-5
Tensioner.....	B-11
Tires.....	G-6
Transmission.....	B-13
Valve(s).....	B-10

This catalog covers:

'06~'07 KVF750 A6F/A7F

GRID NO.

D-16

This grid covers:

Part Name Index

Air Cleaner.....	B-5
Brake Pedal.....	G-9
Cables.....	H-12
Camshaft(s).....	B-11
Carburetor Parts.....	C-13
Carburetor(A6F).....	C-10/C-9
Carburetor(A7F).....	C-11/C-12
Carrier(s).....	H-10
Chassis Electrical Equipment.....	I-6
Control.....	E-5
Converter Cover.....	C-5
Crankcase.....	C-6
Crankshaft.....	B-12
Cylinder.....	B-4
Cylinder Head.....	B-3
Decals(Green)(A6F)(EU,UK).....	I-11
Decals(Green)(A7F)(EU,UK).....	I-14
Decals(Red)(A6F)(AS).....	I-10
Decals(Red)(A7F)(AS).....	I-12
Decals(Red)(A7F)(EU,UK).....	I-13
Drive Belt.....	C-4
Drive Converter.....	C-3
Drive Shaft-Front.....	D-12/D-13/D-14
Drive Shaft-Propeller.....	D-11
Drive Shaft-Rear.....	E-3/E-4
Driven Converter.....	C-4
Engine Cover(s).....	C-7
Engine Mount.....	F-4
Flap.....	G-5
Footrests.....	F-14
Frame.....	F-3
Frame Fittings.....	F-5/F-6
Front Bevel Gear.....	D-10
Front Brake.....	G-14
Front Fender(s).....	G-3
Front Hub.....	G-7
Front Master Cylinder.....	G-13
Front Suspension(~JKAVFDA1 6B524414).....	F-7/F-8
Front Suspension(EU,UK).....	F-11/F-12
Front Suspension(JKAVFDA1 6B524415~).....	F-10/F-9

Fuel Pump.....	C-8
Fuel Tank(A6F).....	H-5/H-6
Fuel Tank(A7F).....	H-7/H-8
Gear Change Mechanism.....	B-14
Generator.....	D-3
Guard(s)(A6F).....	H-14
Guard(s)(A7F).....	I-3
Handlebar.....	H-3/H-4
Headlight(s).....	I-4
Ignition Switch.....	I-7
Ignition System.....	D-4
Labels.....	I-9
Manual.....	J-4
Meter(s).....	H-11
Muffler(s)(~JKAVF750AAB601906).....	B-8
Muffler(s)(~JKAVFDA1 6B503806).....	B-6
Muffler(s)(JKAVF750AAB601907~).....	B-9
Muffler(s)(JKAVFDA1 6B503807~).....	B-7
Oil Pump.....	C-14
Optional Parts(Drive Converter).....	J-3
Owner's Tools.....	I-8
Piston(s).....	B-4
Radiator.....	D-7/D-8
Rear Fender(s).....	G-4
Rear Hub.....	G-8
Rear Suspension.....	F-13
Recoil Starter.....	D-9
Seat.....	H-9
Shock Absorber(~JKAVF750AAB601707).....	G-11
Shock Absorber(JKAVF750AAB601708~).....	G-12
Shock Absorber(s)(AS).....	G-10
Side Covers.....	H-13
Starter Motor(A6F).....	D-5
Starter Motor(A7F).....	D-6
Taillight(s).....	I-5
Tensioner.....	B-11
Tires.....	G-6
Transmission.....	B-13
Valve(s).....	B-10

This catalog covers:

'06~'07 KVF750 A6F/A7F

GRID NO.

E-16

This grid covers:

Part Name Index

Air Cleaner.....	B-5
Brake Pedal.....	G-9
Cables.....	H-12
Camshaft(s).....	B-11
Carburetor Parts.....	C-13
Carburetor(A6F).....	C-10/C-9
Carburetor(A7F).....	C-11/C-12
Carrier(s).....	H-10
Chassis Electrical Equipment.....	I-6
Control.....	E-5
Converter Cover.....	C-5
Crankcase.....	C-6
Crankshaft.....	B-12
Cylinder.....	B-4
Cylinder Head.....	B-3
Decals(Green)(A6F)(EU,UK).....	I-11
Decals(Green)(A7F)(EU,UK).....	I-14
Decals(Red)(A6F)(AS).....	I-10
Decals(Red)(A7F)(AS).....	I-12
Decals(Red)(A7F)(EU,UK).....	I-13
Drive Belt.....	C-4
Drive Converter.....	C-3
Drive Shaft-Front.....	D-12/D-13/D-14
Drive Shaft-Propeller.....	D-11
Drive Shaft-Rear.....	E-3/E-4
Driven Converter.....	C-4
Engine Cover(s).....	C-7
Engine Mount.....	F-4
Flap.....	G-5
Footrests.....	F-14
Frame.....	F-3
Frame Fittings.....	F-5/F-6
Front Bevel Gear.....	D-10
Front Brake.....	G-14
Front Fender(s).....	G-3
Front Hub.....	G-7
Front Master Cylinder.....	G-13
Front Suspension(~JKAVFDA1 6B524414).....	F-7/F-8
Front Suspension(EU,UK).....	F-11/F-12
Front Suspension(JKAVFDA1 6B524415~).....	F-10/F-9

Fuel Pump.....	C-8
Fuel Tank(A6F).....	H-5/H-6
Fuel Tank(A7F).....	H-7/H-8
Gear Change Mechanism.....	B-14
Generator.....	D-3
Guard(s)(A6F).....	H-14
Guard(s)(A7F).....	I-3
Handlebar.....	H-3/H-4
Headlight(s).....	I-4
Ignition Switch.....	I-7
Ignition System.....	D-4
Labels.....	I-9
Manual.....	J-4
Meter(s).....	H-11
Muffler(s)(~JKAVF750AAB601906).....	B-8
Muffler(s)(~JKAVFDA1 6B503806).....	B-6
Muffler(s)(JKAVF750AAB601907~).....	B-9
Muffler(s)(JKAVFDA1 6B503807~).....	B-7
Oil Pump.....	C-14
Optional Parts(Drive Converter).....	J-3
Owner's Tools.....	I-8
Piston(s).....	B-4
Radiator.....	D-7/D-8
Rear Fender(s).....	G-4
Rear Hub.....	G-8
Rear Suspension.....	F-13
Recoil Starter.....	D-9
Seat.....	H-9
Shock Absorber(~JKAVF750AAB601707).....	G-11
Shock Absorber(JKAVF750AAB601708~).....	G-12
Shock Absorber(s)(AS).....	G-10
Side Covers.....	H-13
Starter Motor(A6F).....	D-5
Starter Motor(A7F).....	D-6
Taillight(s).....	I-5
Tensioner.....	B-11
Tires.....	G-6
Transmission.....	B-13
Valve(s).....	B-10

This catalog covers:

'06~'07 KVF750 A6F/A7F

GRID NO.

F-16

This grid covers:

Part Name Index

Air Cleaner.....	B-5
Brake Pedal.....	G-9
Cables.....	H-12
Camshaft(s).....	B-11
Carburetor Parts.....	C-13
Carburetor(A6F).....	C-10/C-9
Carburetor(A7F).....	C-11/C-12
Carrier(s).....	H-10
Chassis Electrical Equipment.....	I-6
Control.....	E-5
Converter Cover.....	C-5
Crankcase.....	C-6
Crankshaft.....	B-12
Cylinder.....	B-4
Cylinder Head.....	B-3
Decals(Green)(A6F)(EU,UK).....	I-11
Decals(Green)(A7F)(EU,UK).....	I-14
Decals(Red)(A6F)(AS).....	I-10
Decals(Red)(A7F)(AS).....	I-12
Decals(Red)(A7F)(EU,UK).....	I-13
Drive Belt.....	C-4
Drive Converter.....	C-3
Drive Shaft-Front.....	D-12/D-13/D-14
Drive Shaft-Propeller.....	D-11
Drive Shaft-Rear.....	E-3/E-4
Driven Converter.....	C-4
Engine Cover(s).....	C-7
Engine Mount.....	F-4
Flap.....	G-5
Footrests.....	F-14
Frame.....	F-3
Frame Fittings.....	F-5/F-6
Front Bevel Gear.....	D-10
Front Brake.....	G-14
Front Fender(s).....	G-3
Front Hub.....	G-7
Front Master Cylinder.....	G-13
Front Suspension(~JKAVFDA1 6B524414).....	F-7/F-8
Front Suspension(EU,UK).....	F-11/F-12
Front Suspension(JKAVFDA1 6B524415~).....	F-10/F-9

Fuel Pump.....	C-8
Fuel Tank(A6F).....	H-5/H-6
Fuel Tank(A7F).....	H-7/H-8
Gear Change Mechanism.....	B-14
Generator.....	D-3
Guard(s)(A6F).....	H-14
Guard(s)(A7F).....	I-3
Handlebar.....	H-3/H-4
Headlight(s).....	I-4
Ignition Switch.....	I-7
Ignition System.....	D-4
Labels.....	I-9
Manual.....	J-4
Meter(s).....	H-11
Muffler(s)(~JKAVF750AAB601906).....	B-8
Muffler(s)(~JKAVFDA1 6B503806).....	B-6
Muffler(s)(JKAVF750AAB601907~).....	B-9
Muffler(s)(JKAVFDA1 6B503807~).....	B-7
Oil Pump.....	C-14
Optional Parts(Drive Converter).....	J-3
Owner's Tools.....	I-8
Piston(s).....	B-4
Radiator.....	D-7/D-8
Rear Fender(s).....	G-4
Rear Hub.....	G-8
Rear Suspension.....	F-13
Recoil Starter.....	D-9
Seat.....	H-9
Shock Absorber(~JKAVF750AAB601707).....	G-11
Shock Absorber(JKAVF750AAB601708~).....	G-12
Shock Absorber(s)(AS).....	G-10
Side Covers.....	H-13
Starter Motor(A6F).....	D-5
Starter Motor(A7F).....	D-6
Taillight(s).....	I-5
Tensioner.....	B-11
Tires.....	G-6
Transmission.....	B-13
Valve(s).....	B-10

This catalog covers:

'06~'07 KVF750 A6F/A7F

GRID NO.

G-16

This grid covers:

Part Name Index

Air Cleaner.....	B-5
Brake Pedal.....	G-9
Cables.....	H-12
Camshaft(s).....	B-11
Carburetor Parts.....	C-13
Carburetor(A6F).....	C-10/C-9
Carburetor(A7F).....	C-11/C-12
Carrier(s).....	H-10
Chassis Electrical Equipment.....	I-6
Control.....	E-5
Converter Cover.....	C-5
Crankcase.....	C-6
Crankshaft.....	B-12
Cylinder.....	B-4
Cylinder Head.....	B-3
Decals(Green)(A6F)(EU,UK).....	I-11
Decals(Green)(A7F)(EU,UK).....	I-14
Decals(Red)(A6F)(AS).....	I-10
Decals(Red)(A7F)(AS).....	I-12
Decals(Red)(A7F)(EU,UK).....	I-13
Drive Belt.....	C-4
Drive Converter.....	C-3
Drive Shaft-Front.....	D-12/D-13/D-14
Drive Shaft-Propeller.....	D-11
Drive Shaft-Rear.....	E-3/E-4
Driven Converter.....	C-4
Engine Cover(s).....	C-7
Engine Mount.....	F-4
Flap.....	G-5
Footrests.....	F-14
Frame.....	F-3
Frame Fittings.....	F-5/F-6
Front Bevel Gear.....	D-10
Front Brake.....	G-14
Front Fender(s).....	G-3
Front Hub.....	G-7
Front Master Cylinder.....	G-13
Front Suspension(~JKAVFDA1 6B524414).....	F-7/F-8
Front Suspension(EU,UK).....	F-11/F-12
Front Suspension(JKAVFDA1 6B524415~).....	F-10/F-9

Fuel Pump.....	C-8
Fuel Tank(A6F).....	H-5/H-6
Fuel Tank(A7F).....	H-7/H-8
Gear Change Mechanism.....	B-14
Generator.....	D-3
Guard(s)(A6F).....	H-14
Guard(s)(A7F).....	I-3
Handlebar.....	H-3/H-4
Headlight(s).....	I-4
Ignition Switch.....	I-7
Ignition System.....	D-4
Labels.....	I-9
Manual.....	J-4
Meter(s).....	H-11
Muffler(s)(~JKAVF750AAB601906).....	B-8
Muffler(s)(~JKAVFDA1 6B503806).....	B-6
Muffler(s)(JKAVF750AAB601907~).....	B-9
Muffler(s)(JKAVFDA1 6B503807~).....	B-7
Oil Pump.....	C-14
Optional Parts(Drive Converter).....	J-3
Owner's Tools.....	I-8
Piston(s).....	B-4
Radiator.....	D-7/D-8
Rear Fender(s).....	G-4
Rear Hub.....	G-8
Rear Suspension.....	F-13
Recoil Starter.....	D-9
Seat.....	H-9
Shock Absorber(~JKAVF750AAB601707).....	G-11
Shock Absorber(JKAVF750AAB601708~).....	G-12
Shock Absorber(s)(AS).....	G-10
Side Covers.....	H-13
Starter Motor(A6F).....	D-5
Starter Motor(A7F).....	D-6
Taillight(s).....	I-5
Tensioner.....	B-11
Tires.....	G-6
Transmission.....	B-13
Valve(s).....	B-10

This catalog covers:

'06~'07 KVF750 A6F/A7F

GRID NO.

H-16

This grid covers:

Part Name Index

Air Cleaner.....	B-5
Brake Pedal.....	G-9
Cables.....	H-12
Camshaft(s).....	B-11
Carburetor Parts.....	C-13
Carburetor(A6F).....	C-10/C-9
Carburetor(A7F).....	C-11/C-12
Carrier(s).....	H-10
Chassis Electrical Equipment.....	I-6
Control.....	E-5
Converter Cover.....	C-5
Crankcase.....	C-6
Crankshaft.....	B-12
Cylinder.....	B-4
Cylinder Head.....	B-3
Decals(Green)(A6F)(EU,UK).....	I-11
Decals(Green)(A7F)(EU,UK).....	I-14
Decals(Red)(A6F)(AS).....	I-10
Decals(Red)(A7F)(AS).....	I-12
Decals(Red)(A7F)(EU,UK).....	I-13
Drive Belt.....	C-4
Drive Converter.....	C-3
Drive Shaft-Front.....	D-12/D-13/D-14
Drive Shaft-Propeller.....	D-11
Drive Shaft-Rear.....	E-3/E-4
Driven Converter.....	C-4
Engine Cover(s).....	C-7
Engine Mount.....	F-4
Flap.....	G-5
Footrests.....	F-14
Frame.....	F-3
Frame Fittings.....	F-5/F-6
Front Bevel Gear.....	D-10
Front Brake.....	G-14
Front Fender(s).....	G-3
Front Hub.....	G-7
Front Master Cylinder.....	G-13
Front Suspension(~JKAVFDA1 6B524414).....	F-7/F-8
Front Suspension(EU,UK).....	F-11/F-12
Front Suspension(JKAVFDA1 6B524415~).....	F-10/F-9

Fuel Pump.....	C-8
Fuel Tank(A6F).....	H-5/H-6
Fuel Tank(A7F).....	H-7/H-8
Gear Change Mechanism.....	B-14
Generator.....	D-3
Guard(s)(A6F).....	H-14
Guard(s)(A7F).....	I-3
Handlebar.....	H-3/H-4
Headlight(s).....	I-4
Ignition Switch.....	I-7
Ignition System.....	D-4
Labels.....	I-9
Manual.....	J-4
Meter(s).....	H-11
Muffler(s)(~JKAVF750AAB601906).....	B-8
Muffler(s)(~JKAVFDA1 6B503806).....	B-6
Muffler(s)(JKAVF750AAB601907~).....	B-9
Muffler(s)(JKAVFDA1 6B503807~).....	B-7
Oil Pump.....	C-14
Optional Parts(Drive Converter).....	J-3
Owner's Tools.....	I-8
Piston(s).....	B-4
Radiator.....	D-7/D-8
Rear Fender(s).....	G-4
Rear Hub.....	G-8
Rear Suspension.....	F-13
Recoil Starter.....	D-9
Seat.....	H-9
Shock Absorber(~JKAVF750AAB601707).....	G-11
Shock Absorber(JKAVF750AAB601708~).....	G-12
Shock Absorber(s)(AS).....	G-10
Side Covers.....	H-13
Starter Motor(A6F).....	D-5
Starter Motor(A7F).....	D-6
Taillight(s).....	I-5
Tensioner.....	B-11
Tires.....	G-6
Transmission.....	B-13
Valve(s).....	B-10

This catalog covers:

'06~'07 KVF750 A6F/A7F

GRID NO.

I-16

This grid covers:

Part Name Index

Air Cleaner.....	B-5
Brake Pedal.....	G-9
Cables.....	H-12
Camshaft(s).....	B-11
Carburetor Parts.....	C-13
Carburetor(A6F).....	C-10/C-9
Carburetor(A7F).....	C-11/C-12
Carrier(s).....	H-10
Chassis Electrical Equipment.....	I-6
Control.....	E-5
Converter Cover.....	C-5
Crankcase.....	C-6
Crankshaft.....	B-12
Cylinder.....	B-4
Cylinder Head.....	B-3
Decals(Green)(A6F)(EU,UK).....	I-11
Decals(Green)(A7F)(EU,UK).....	I-14
Decals(Red)(A6F)(AS).....	I-10
Decals(Red)(A7F)(AS).....	I-12
Decals(Red)(A7F)(EU,UK).....	I-13
Drive Belt.....	C-4
Drive Converter.....	C-3
Drive Shaft-Front.....	D-12/D-13/D-14
Drive Shaft-Propeller.....	D-11
Drive Shaft-Rear.....	E-3/E-4
Driven Converter.....	C-4
Engine Cover(s).....	C-7
Engine Mount.....	F-4
Flap.....	G-5
Footrests.....	F-14
Frame.....	F-3
Frame Fittings.....	F-5/F-6
Front Bevel Gear.....	D-10
Front Brake.....	G-14
Front Fender(s).....	G-3
Front Hub.....	G-7
Front Master Cylinder.....	G-13
Front Suspension(~JKAVFDA1 6B524414).....	F-7/F-8
Front Suspension(EU,UK).....	F-11/F-12
Front Suspension(JKAVFDA1 6B524415~).....	F-10/F-9

Fuel Pump.....	C-8
Fuel Tank(A6F).....	H-5/H-6
Fuel Tank(A7F).....	H-7/H-8
Gear Change Mechanism.....	B-14
Generator.....	D-3
Guard(s)(A6F).....	H-14
Guard(s)(A7F).....	I-3
Handlebar.....	H-3/H-4
Headlight(s).....	I-4
Ignition Switch.....	I-7
Ignition System.....	D-4
Labels.....	I-9
Manual.....	J-4
Meter(s).....	H-11
Muffler(s)(~JKAVF750AAB601906).....	B-8
Muffler(s)(~JKAVFDA1 6B503806).....	B-6
Muffler(s)(JKAVF750AAB601907~).....	B-9
Muffler(s)(JKAVFDA1 6B503807~).....	B-7
Oil Pump.....	C-14
Optional Parts(Drive Converter).....	J-3
Owner's Tools.....	I-8
Piston(s).....	B-4
Radiator.....	D-7/D-8
Rear Fender(s).....	G-4
Rear Hub.....	G-8
Rear Suspension.....	F-13
Recoil Starter.....	D-9
Seat.....	H-9
Shock Absorber(~JKAVF750AAB601707).....	G-11
Shock Absorber(JKAVF750AAB601708~).....	G-12
Shock Absorber(s)(AS).....	G-10
Side Covers.....	H-13
Starter Motor(A6F).....	D-5
Starter Motor(A7F).....	D-6
Taillight(s).....	I-5
Tensioner.....	B-11
Tires.....	G-6
Transmission.....	B-13
Valve(s).....	B-10

This catalog covers:

'06~'07 KVF750 A6F/A7F

GRID NO.

J-16

This grid covers:

Part Name Index

Air Cleaner.....	B-5
Brake Pedal.....	G-9
Cables.....	H-12
Camshaft(s).....	B-11
Carburetor Parts.....	C-13
Carburetor(A6F).....	C-10/C-9
Carburetor(A7F).....	C-11/C-12
Carrier(s).....	H-10
Chassis Electrical Equipment.....	I-6
Control.....	E-5
Converter Cover.....	C-5
Crankcase.....	C-6
Crankshaft.....	B-12
Cylinder.....	B-4
Cylinder Head.....	B-3
Decals(Green)(A6F)(EU,UK).....	I-11
Decals(Green)(A7F)(EU,UK).....	I-14
Decals(Red)(A6F)(AS).....	I-10
Decals(Red)(A7F)(AS).....	I-12
Decals(Red)(A7F)(EU,UK).....	I-13
Drive Belt.....	C-4
Drive Converter.....	C-3
Drive Shaft-Front.....	D-12/D-13/D-14
Drive Shaft-Propeller.....	D-11
Drive Shaft-Rear.....	E-3/E-4
Driven Converter.....	C-4
Engine Cover(s).....	C-7
Engine Mount.....	F-4
Flap.....	G-5
Footrests.....	F-14
Frame.....	F-3
Frame Fittings.....	F-5/F-6
Front Bevel Gear.....	D-10
Front Brake.....	G-14
Front Fender(s).....	G-3
Front Hub.....	G-7
Front Master Cylinder.....	G-13
Front Suspension(~JKAVFDA1 6B524414).....	F-7/F-8
Front Suspension(EU,UK).....	F-11/F-12
Front Suspension(JKAVFDA1 6B524415~).....	F-10/F-9

Fuel Pump.....	C-8
Fuel Tank(A6F).....	H-5/H-6
Fuel Tank(A7F).....	H-7/H-8
Gear Change Mechanism.....	B-14
Generator.....	D-3
Guard(s)(A6F).....	H-14
Guard(s)(A7F).....	I-3
Handlebar.....	H-3/H-4
Headlight(s).....	I-4
Ignition Switch.....	I-7
Ignition System.....	D-4
Labels.....	I-9
Manual.....	J-4
Meter(s).....	H-11
Muffler(s)(~JKAVF750AAB601906).....	B-8
Muffler(s)(~JKAVFDA1 6B503806).....	B-6
Muffler(s)(JKAVF750AAB601907~).....	B-9
Muffler(s)(JKAVFDA1 6B503807~).....	B-7
Oil Pump.....	C-14
Optional Parts(Drive Converter).....	J-3
Owner's Tools.....	I-8
Piston(s).....	B-4
Radiator.....	D-7/D-8
Rear Fender(s).....	G-4
Rear Hub.....	G-8
Rear Suspension.....	F-13
Recoil Starter.....	D-9
Seat.....	H-9
Shock Absorber(~JKAVF750AAB601707).....	G-11
Shock Absorber(JKAVF750AAB601708~).....	G-12
Shock Absorber(s)(AS).....	G-10
Side Covers.....	H-13
Starter Motor(A6F).....	D-5
Starter Motor(A7F).....	D-6
Taillight(s).....	I-5
Tensioner.....	B-11
Tires.....	G-6
Transmission.....	B-13
Valve(s).....	B-10