

## PREMIUM

- The ultimate outdoor storage cover
- Fade-resistant, UV-protected, long-lasting Surlast™ fabric
- Adjustable windshield strap provides a custom windshield/mirror fit
- Supersnug cinch-down straps
- Adjustable Velcro front fasteners
- Easy-access, zippered gas cap panel
- Trailerable

## 5639-669:

'12 F 800, F 1100, F 1100 TURBO, XF 800, XF 1100, XF 1100 TURBO - GREEN \$229.95

## 5639-670:

'12 F 800, F 1100, F 1100 TURBO, XF 800, XF 1100, XF 1100 TURBO - ORANGE \$229.95

## 5639-671:

'12 M 800, M 800 HCR, M 1100, M 1100 TURBO, M 1100 TURBO HCR - GREEN \$239.95

## 5639-672:

'12 M 800, M 800 HCR, M 1100, M 1100 TURBO, M 1100 TURBO HCR - ORANGE \$239.95

## 5639-673:

'12 F5, F570; '07-'11 F SERIES; '09-'11 Z1, Z1 TURBO - BLACK \$229.95

## 5639-674:

'08-'12 T570, TZ1, TZ1 LXR TOURING - BLACK \$239.95

5639-669



5639-672



## PREMIUM LIMITED

## 5639-696:

'12 F 1100, F 1100 TURBO, XF 1100, XF 1100 TURBO \$229.95

## 5639-697:

'12 M 1100, M 1100 TURBO \$239.95

## 5639-698:

'12 F 1100, F 1100 TURBO, XF 1100, XF 1100 TURBO \$229.95

## 5639-699:

'12 M 1100, M 1100 TURBO \$239.95

5639-696  
5639-6975639-698  
5639-699

## Keep Mother Nature off your sled.

## ARCTIC CAT

- Excellent longevity from specially treated canvas
- Custom windshield/mirror fit from an adjustable windshield strap
- Supersnug cinch-down straps
- Adjustable Velcro front fasteners
- Easy-access, zippered gas cap panel
- Trailerable

5639-675



## 5639-675:

'12 F 800, F 1100, F 1100 TURBO, XF 800, XF 1100, XF 1100 TURBO \$199.95

## 5639-676:

'12 F 800, F 1100, F 1100 TURBO, XF 800, XF 1100, XF 1100 TURBO W/ MID-HIGH WINDSHIELD \$199.95

## 5639-677:

'12 F 800, F 1100, F 1100 TURBO, XF 800, XF 1100, XF 1100 TURBO W/ 2-UP SEAT & MID-HIGH WINDSHIELD \$199.95

## 5639-678:

'12 M 800, M 800 HCR, M 1100, M 1100 TURBO, M 1100 TURBO HCR \$219.95

## 5639-679:

'12 M 800, M 800 HCR, M 1100, M 1100 TURBO, M 1100 TURBO HCR W/ MID-HIGH WINDSHIELD \$219.95

## 5639-680:

'12 F5, F570; '07-'11 F SERIES; '09-'11 Z1, Z1 TURBO \$199.95

## 5639-681:

'08-'12 T570, TZ1, TZ1 LXR TOURING \$229.95

## 5639-682:

'09-'12 BEARCAT 570 \$229.95

## 5639-683:

'09-'12 BEARCAT 570 XT, BEARCAT Z1 XT \$229.95

## 5639-543:

'06-'11 CROSSFIRE \$199.95

## 5639-283:

'06-'11 CROSSFIRE W/ 2-UP SEAT \$199.95

## 5639-544:

'09-'11 CFR \$199.95

## 5639-286:

'12 F5, F570; '07-'11 F SERIES; '09-'11 Z1, Z1 TURBO W/ 2-UP SEAT \$199.95

## 5639-546:

'12 F5, F570; '07-'11 F SERIES; '09-'11 Z1, Z1 TURBO W/ EXTREME HIGH WINDSHIELD \$199.95

## 5639-547:

'10-'11 Z1 TURBO EXT; '11 F8 EXT \$219.95

## 5639-548:

'09-'11 M SERIES, M8 HCR 153-IN.-162-IN.; '05-'08 M SERIES 153-IN. \$219.95

## 5639-290:

'00-'12 120 \$109.95

NOTE: '05-'08 M SERIES 162-IN. REQUIRES A CUSTOM COVER (5639-241)





5639-702

5639-702:  
'10-'12 SNO PRO 500

5639-703:  
'10-'12 SNO PRO 500 W/ HIGH WINDSHIELD

5639-704:  
'12 F 800, F 1100, F 1100 TURBO, XF 800, XF 1100, XF 1100 TURBO

\$229.95

**TEAM ARCTIC**

- Fade-resistant, UV-protected, long-lasting Surlast fabric
- Supersnug cinch-down straps
- Adjustable Velcro front fasteners
- Easy-access, zippered gas cap panel
- Trailerable

**CUSTOM**

- Custom-fit options for non-current sled models
- Excellent longevity from specially treated canvas
- Supersnug cinch-down straps
- Adjustable Velcro front fasteners
- Easy-access, zippered gas cap panel
- Trailerable

5639-017:  
'03-'06 FC, SC 128-IN. \$159.95

5639-018:  
'99-'06 CO, EXT, T660, TC, Z, ZL, ZR, ZRT 121-IN. \$159.95

5639-241:  
'05-'08 M SERIES 153-IN.-162-IN. \$169.95

5639-019:  
'02-'04 MC; '04-'06 KC \$169.95

5639-020:  
'00-'06 2-UP PA, PTA, T660 TOURING \$179.95

5639-021:  
'03-'08 BC W/T \$179.95



5639-020

**DUST COVER**

- Lightweight and ideal for storage or overnight trips
- Securely fitting elastic bottom cord
- Not recommended for trailering

5639-705: 121-IN.-128-IN. \$69.95

5639-706: 136-IN.-162-IN. MOUNTAIN \$79.95

5639-716: 2-UP TOURING \$79.95

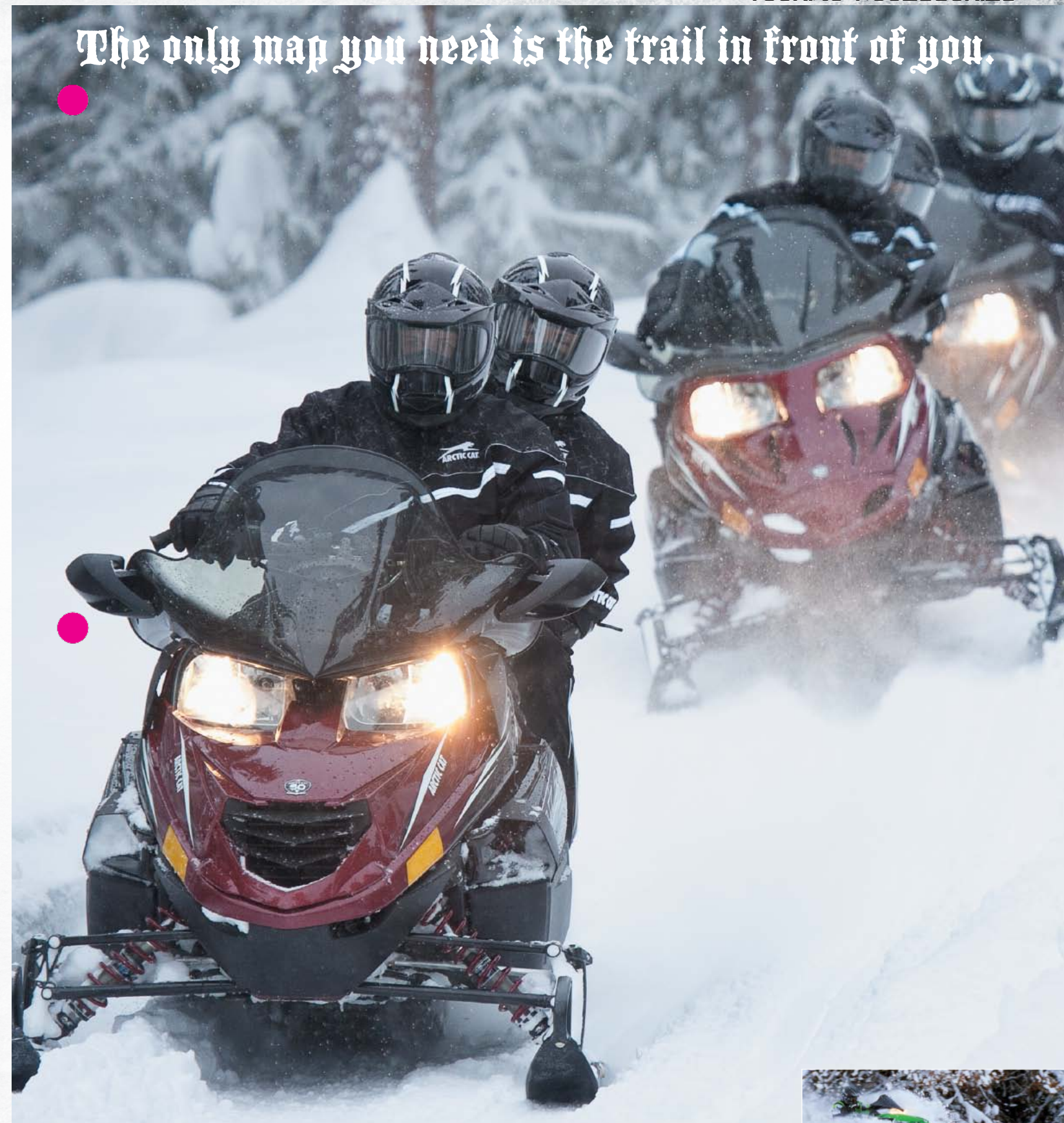


5639-705

**UNDERCOVER LINER**

- Use with both Arctic Cat and Premium covers

5639-570: UNIVERSAL \$46.95



The only map you need is the trail in front of you.

Out there, there's nothing but you and the wide-open everywhere. And while you're off exploring, make sure you've got the right kind of equipment with you. Everything from touring bags to racks to hitches to tons of other stuff that'll make touring all the more amazing.



5639-618



**TUNNEL PACK**

- Mid-capacity storage
- Secure, easy-to-use quick-fasten straps

5639-618: '12 F 800, F 1100, F 1100 TURBO, XF 800, XF 1100, XF 1100 TURBO \$79.95  
 5639-573: '12 F5, F570; '07-'11 F SERIES; '10-'11 Z1, Z1 TURBO, Z1 TURBO EXT; '11 F8 EXT \$79.95  
 5639-433: '10-'12 SNO PRO 500; '10-'11 M SERIES \$114.95

5639-573



5639-433



4639-714

**WINDSHIELD BAG**

- Provides storage for keys, wallet, cell phone, etc.
- Fits neatly between gauges and windshield
- 5639-304 accepts windshield brace kit

5639-712: '12 F 800, F 1100, F 1100 TURBO, M 800, M 800 HCR, M 1100, M 1100 TURBO, M 1100 TURBO HCR, XF 800, XF 1100, XF 1100 TURBO \$39.95

4639-714: '12 F5, F570; '08-'11 F SERIES, T570, TZ1 TOURING; '09-'12 BC; '09-'11 Z1 \$54.95

5639-304: '09-'11 Z1 TURBO, TZ1 TURBO TOURING \$54.95

4639-428: '05-'11 M SERIES; '06-'11 CF; '09-'11 CFR, M8 HCR \$39.95

**HANDLEBAR BAG**

- Large enough for a cap, cell phone, wallet, etc.
- 5639-708 & 5639-709 accept a Bag Heater

5639-708: '12 F 800, F 1100, F 1100 TURBO

5639-709: '12 M 800, M 800 HCR, M 1100, M 1100 TURBO, M 1100 TURBO HCR, XF 800, XF 1100, XF 1100 TURBO

4639-429: '12 F5 LXR; '08-'12 T570, TZ1 TOURING; '07-'09 F SERIES; '09-'11 CFR; '10-'11 F SERIES, Z1 LXR & SNO PRO

5639-303: '12 F570; '10-'11 F SERIES, Z1 (STD)

4639-770: '09-'12 BC 570, BC XT; '05-'11 M SERIES; '06-'11 CF

5639-434: '10-'12 SNO PRO 500

\$42.95



5639-708

5639-707



**TUNNEL GEAR BAG**

- Large-capacity storage
- Secure, easy-to-use quick-fasten straps

5639-707: '12 F 800, F 1100, F 1100 TURBO, XF 800, XF 1100, XF 1100 TURBO \$114.95

5639-574



5639-574: '12 F5, F570; '07-'11 F SERIES; '10-'11 M SERIES, Z1, Z1 TURBO, Z1 TURBO EXT; '11 F8 EXT \$114.95



**TOURING GEAR BAG**

- Easily mounts to rear rails
- Doubles your storage with the zip-out feature
- Complements Touring Saddlebags

5606-171: '08-'12 T570, TZ1 TOURING; '09-'12 BC 570 \$109.95



**TOURING SADDLEBAGS**

- Perfect storage solution for overnight trips
- Heavy-duty, contoured protection

4639-712: '08-'12 T570, TZ1 TOURING; '09-'12 BC 570 \$189.95



NEW

**BAG HEATER KIT**

- 5-watt heating element
- Includes harness to accessory plug
- 2nd outlet for heated shield

5639-837: FITS HANDLEBAR BAGS  
 5639-708 & 5639-709 \$19.95



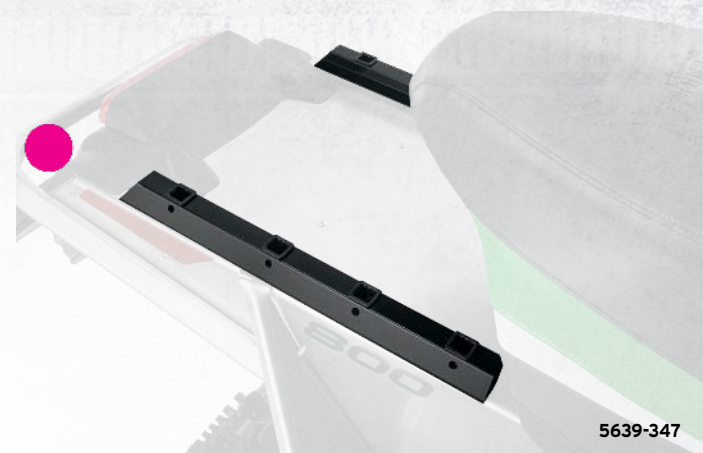
**CUSTOM HANDLEBAR BAG**

- Lightweight storage for any sled

5639-041: UNIVERSAL \$19.95



Make the ride even sweeter.



**TUNNEL RAILS**

-Adds mounting pockets for 2-Up Seat or Rack

- 5639-347: '12 F5, F570; '10-'11 F SERIES, Z1, Z1 TURBO \$62.95
- 5639-348: '10-'11 Z1 TURBO EXT; '11 F8 EXT \$72.95



5639-524

**SPORT MUFFS**

- Easy-on/easy-off
- Warmth without the weight
- Quick Velcro attachment mounts directly to handlebars
- Includes inside pocket to slide over hand guards



5639-714: '12 F 800, F 1100, F 1100 TURBO, M 800, M 800 HCR, M 1100, M 1100 TURBO, M 1100 TURBO HCR, XF 800, XF 1100, XF 1100 TURBO

5639-524: '07-'11 MODELS

\$49.95



**PASSENGER HAND MUFFS**

- Water- and wind-resistant nylon outer
- Easy-attach Velcro straps
- Mounts with or without standard wind deflectors

5639-353: '08-'12 T570, T21 TOURING; '09-'12 BC 570, BC XT \$49.95



**HANDLEBAR MUFFS**

- Water- and wind-resistant nylon outer
- Easy-attach Velcro straps with an elastic grip strap

5639-713: \$39.95



5639-307

**2-UP SEAT KIT**

- Converts your sled to carry a passenger
- Includes passenger seat with handholds
- Accepts rear rack or bag
- 5639-717 includes quick-release footrests
- Requires Hitch Kit or Tunnel Rails with mounting pockets

5639-717: '12 F 800, F 1100, F 1100 TURBO, XF 800, XF 1100, XF 1100 TURBO (REQUIRES HITCH KIT, PAGE 95) \$449.95

5639-307: '12 F5, F570; '10-'11 F SERIES; '10-'11 Z1, Z1 TURBO, Z1 TURBO EXT; '11 F8 EXT (REQUIRES TUNNEL RAILS - SHOWN ABOVE) \$369.95

5639-308: '09-'11 CF, CFR (REQUIRES HITCH KIT, PAGE 95) \$369.95



**TUNNEL REINFORCEMENT KIT**

- Recommended when carrying passengers, or heavy loads in rear racks
- Mounts inside tunnel
- Includes right- and left-hand panels

5639-844: '12 F 800, F 1100, F 1100 TURBO, M 800, M 800 HCR, M 1100, M 1100 TURBO, M 1100 TURBO HCR, XF 800, XF 1100, XF 1100 TURBO \$59.95



**SPORT BUMPER**

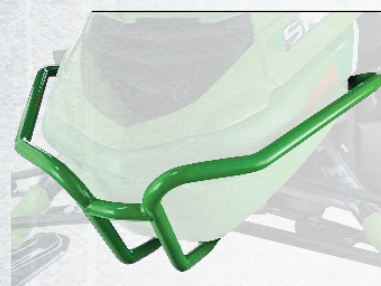
-Lightweight aluminum bumper adds protection and a bold look  
-Scratch-resistant, powder-coat finish



5639-851

'12 F 800, F 1100, F 1100 TURBO, M 800, M 800 HCR, M 1100, M 1100 TURBO, M 1100 TURBO HCR, XF 800, XF 1100, XF 1100 TURBO  
5639-850: BLACK  
5639-851: GREEN  
5639-852: ORANGE

\$89.95



5639-826

'12 F5, F570; '07-'11 F SERIES; '08-'12 T570, TZ1 TOURING; '09-'12 BC 570; '09-'11 Z1, Z1 TURBO  
5639-825: BLACK  
5639-826: GREEN  
5639-827: ORANGE

\$109.95



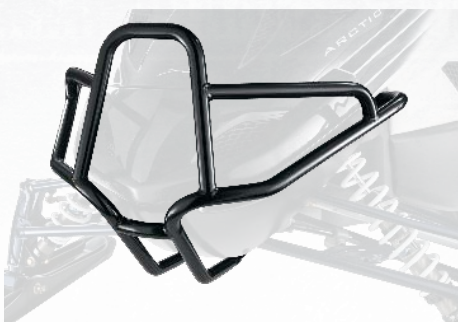
5639-624

'05-'11 M SERIES; '06-'11 CF; '09-'11 CFR, M8 HCR  
5639-622: BLACK  
5639-623: GREEN  
5639-624: ORANGE

\$189.95



'10-'12 SNO PRO 500  
5639-065: GREEN \$129.95



**TOURING BUMPER**

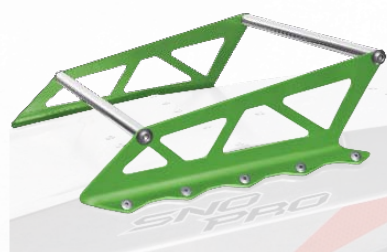
-Durable steel construction with a tough, powder-coat finish

5639-312: '12 F5, F570; '07-'11 F SERIES; '08-'12 T570, TZ1 TOURING; '09-'12 BC 570; '09-'11 Z1 (NON-TURBO) \$139.95



**PROCCROSS™ RACK**

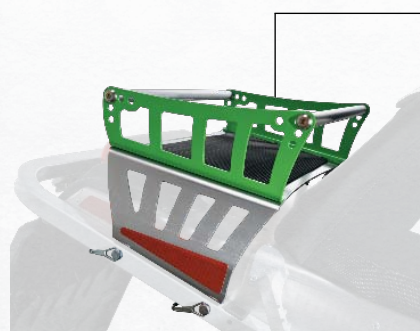
-Stylish, lightweight, powder-coated aluminum  
-Tunnel Reinforcement Kit (page 93) recommended for carrying heavy loads



5639-718

'12 F 800, F 1100, F 1100 TURBO, XF 800, XF 1100, XF 1100 TURBO  
5639-718: GREEN  
5639-719: ORANGE  
5639-720: SILVER

\$49.95



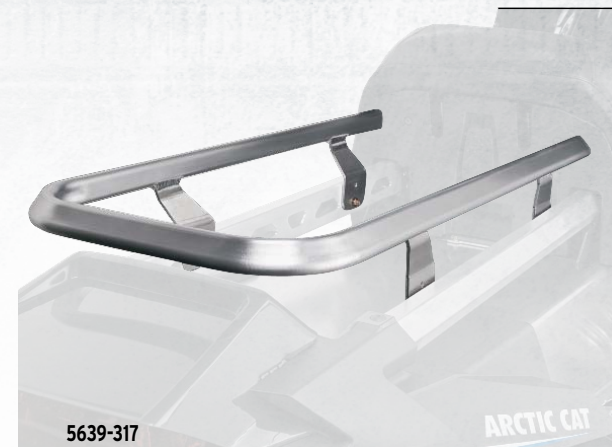
5639-155

**CROSSFIRE™ RACK**

-Detachable, powder-coated aluminum rack  
-Quick-release mount  
-Requires Hitch Kit (page 95)

'09-'11 CF, CFR  
5639-155: GREEN  
5639-156: ORANGE  
5639-157: UNPAINTED

\$109.95



5639-317

**TOURING RACK**

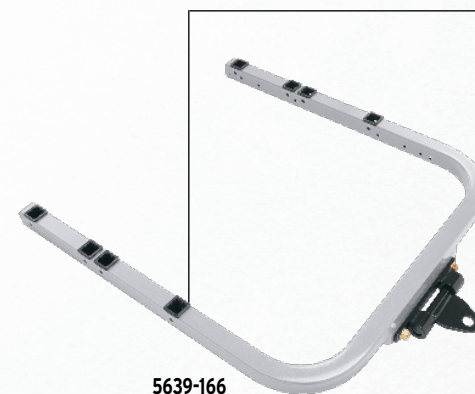
-Durable aluminum construction  
-Use short rack when passenger seat is installed, long rack when removed

NOTE: INTERFERES WITH ATTACHMENT OF TOURING SADDLEBAGS

'08-'12 T570, TZ1 TOURING; '09-'12 BC 570  
5639-316: SHORT \$89.95  
5639-317: LONG \$102.95



5639-316



5639-166

**HITCH KITS**

-Strong, secure steel bumper with pivot-style hitch  
-5639-721 & 5639-722 include mounting pockets for 2-Up Seat and Tunnel Reinforcements  
-5639-723 & 5639-724 include Tunnel Reinforcements  
-5639-166 & 5639-322 include mounting pockets for 2-Up Seat and Rack

5639-721: '12 F 800, F 1100, F 1100 TURBO 128-IN. \$149.95

5639-722: '12 XF 800, '12 XF 1100, XF 1100 TURBO 141-IN. \$149.95

5639-723: '12 M 800, M 800 HCR, M 1100, M 1100 TURBO 153-IN. \$159.95

5639-724: '12 M 800, M 1100 TURBO, M 1100 TURBO HCR 162-IN. \$159.95

5639-318: '12 F5, F570; '10-'11 F SERIES; '10-'11 Z1, Z1 TURBO 128-IN. \$104.95

5639-319: '10-'11 Z1 TURBO EXT; '11 F8 EXT 144-IN. \$104.95

4639-966: '09 F SERIES, Z1, Z1 TURBO 128-IN. \$189.95

5639-158: '09-'11 M SERIES; '10 M8 HCR 153-IN. \$104.95

5639-159: '09-'11 M SERIES 162-IN.; '11 M8 HCR 153-IN. \$104.95

5639-166: '09-'11 CF 141-IN. \$104.95

5639-202: '09-'11 CFR 128-IN. \$104.95

4639-723: '08-'12 T570, TZ1 TOURING (PIVOT) \$62.95

4639-907: '08-'12 T570, TZ1 TOURING (PINTLE) \$74.95



5639-725

**TOW HITCH**

-Quick and easy installation  
-Mounts to standard bumper  
-For light-duty use

5639-725: '12 F 800, F 1100, F 1100 TURBO, M 800, M 800 HCR, M 1100, M 1100 TURBO, M 1100 TURBO HCR, XF 800, XF 1100, XF 1100 TURBO

5639-324: '12 F5, F570; '10-'11 F SERIES; '09-'11 CF, CFR, M SERIES; '10-'11 Z1, Z1 TURBO, Z1 TURBO EXT; '11 F8 EXT

\$49.95



**PINTLE CONVERSION KIT**

-Converts the Hitch Kits listed to a heavy-duty, pintle-style hitch

3639-189: FITS HITCH KITS LISTED ABOVE \$42.95





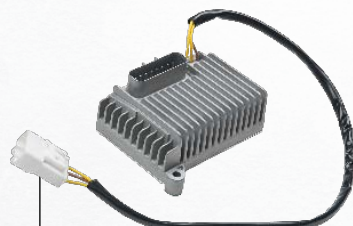
Style and performance that'll blow the wind away.



**HEATED SEAT**

- Adds warmth and comfort
- Includes heating element, dash switch and wiring
- 5639-828 & 5639-829 include a black seat cover

- 5639-828: '12 F 1100, F 1100 TURBO, XF 1100, XF 1100 TURBO \$269.95
- 5639-829: '12 M 1100, M 1100 TURBO \$269.95
- 4639-971: '09-'12 BC Z1 XT (DRIVER & PASSENGER) \$379.95
- 5639-638: '11-'12 BC Z1 XT LTD (PASSENGER ONLY) \$209.95



**DC POWER KIT**

- Increase DC power output for electrical accessories

- 5639-858: '12 F 800, M 800, XF 800
- 5639-258: '09-'11 CF, CFR, M SERIES 800, 1000 \$199.95



**TETHER SWITCH**

- Stops engine in the event you fall off your sled
- Attaches to your jacket D-Ring

- 5639-859: '12 F 800, M 800, XF 800
- 5639-860: '12 F 1100, F 1100 TURBO, M 1100, M 1100 TURBO, XF 1100, XF 1100 TURBO \$36.95



**ELECTRIC START KIT**

- Start your sled with ease
- Includes high-torque starter motor, hardware and battery

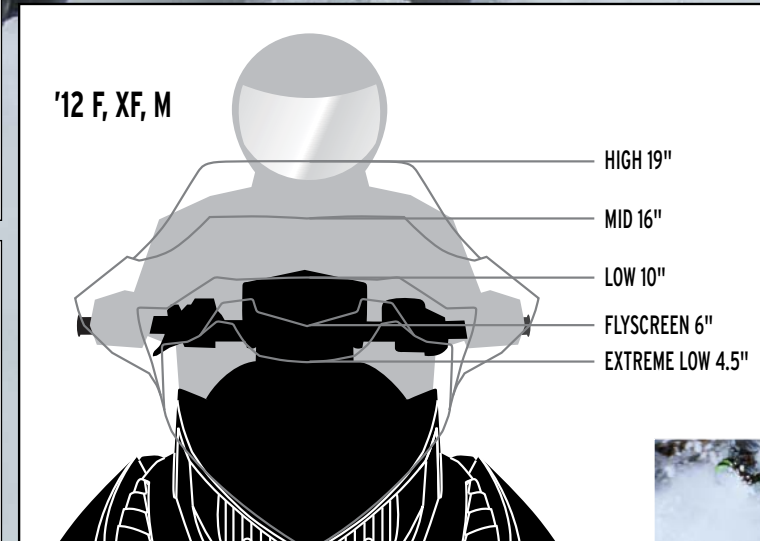
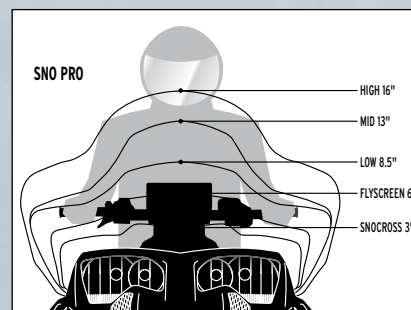
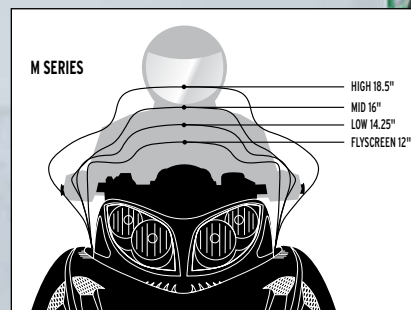
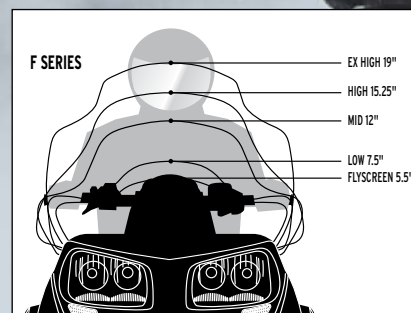
- 5639-726: '12 F 800 SP, XF 800 SP, M 800, M 800 HCR, M 800 SP
- 5639-646: '11 F SERIES 800
- 5639-321: '10 BC 570
- 5639-198: '09-'10 F SERIES 800, 1000
- 4639-803: '08-'11 CF, M SERIES 500, 600
- 4639-782: '08-'11 F SERIES 500, 600 \$549.95



**ENGINE HEATER**

- Improves start-up in extreme weather

- 5639-861: '12 F 1100, F 1100 TURBO, M 1100, M 1100 TURBO, XF 1100, XF 1100 TURBO
- 5639-823: '07-'12 TZ1; '09-'12 BC Z1 XT, TZ1 TURBO; '07-'11 Z1, Z1 TURBO \$129.95



NOTE: MEASUREMENTS ARE TAKEN VERTICALLY FROM DASH PANEL TO TOP OF WINDSCREEN



**FLYSCREENS**  
-Ultralow design



5639-792



**RESHOOT ON MACHINE**

5639-796



5639-795

**WINDSCREENS**

-Superb hand protection from fully flared sides



5639-790



**NEW**

**SIDE DEFLECTORS**

-Additional wind protection for low windscreens (5639-795, 5639-796, 5639-797 & 5639-798)

-Sold in pairs

5639-785: FITS ACCESSORY LOW SCREENS \$29.95

**MID/HIGH/EXTREME HIGH WINDSHIELDS**  
-Provides optimal wind/snow protection



5639-801



5639-222

'12 F 800, F 1100  
M 800, M 1100  
XF 800, XF 1100  
(INC TURBO)

'12 F5, F570  
'07-'11 F SERIES  
'09-'12 BEARCAT, TZ1  
'09-'11 Z1

'10-'12  
SNO PRO 500

'05-'11 M SERIES  
'06-'11 CROSSFIRE  
'09-'11 CFR, M8 HCR

	PART #	PRICE	PART #	PRICE	PART #	PRICE	PART #	PRICE
<b>WINDSCREENS</b>								
Extreme Low, Black	5639-790	\$39.95					5639-525	\$46.95
Extreme Low, White	5639-791	\$49.95					5639-526	\$46.95
Flyscreen, Black	5639-794	\$49.95	5639-132	\$89.95			5639-140	\$89.95
Flyscreen, Green	5639-792	\$69.95			5639-451	\$89.95	5639-138	\$99.95
Flyscreen, Orange	5639-793	\$69.95					5639-139	\$99.95
Low, Black	5639-797	\$89.95	5639-130	\$89.95	5639-449	\$99.95	5639-136	\$99.95
Low, Green	5639-795	\$99.95	5639-128	\$114.95			5639-134	\$114.95
Low, Orange	5639-796	\$99.95	5639-129	\$114.95			5639-135	\$114.95
Low, Pink	5639-798	\$99.95	5639-178	\$99.95				
Mid, Tint	5639-799	\$99.95	5639-439	\$99.95	5639-615	\$99.95	4639-203	\$99.95
Mid, Clear, Pink	5639-800	\$99.95	5639-631	\$99.95				
High, Tint	5639-801	\$114.95	4639-719	\$114.95	5639-500	\$114.95	4639-227	\$114.95
Extreme High, Clear			*5639-222	\$134.95				

\*Requires a windshield brace kit



**BRACE KIT**

-Offers increased windshield stability at high speeds  
-Recommended when installing mirrors

5639-628: EXTREME HIGH (5639-222) \$14.95



**MOUNTING RING**

-Replaces the standard O-ring mount  
-Sold individually

2606-853: UNIVERSAL \$0.99



## CUSTOM ACCESSORIES

The Custom Accessories section separates the casual riders from the ones who spend every waking moment thinking about how they can make their sled better. This is where snowmobilers become Cat guys, hell-bent on tweaking their sled so it becomes the perfect ride.

# Your sled just got a lot more you.



### PINK ACCESSORY KITS

-Pretty in pink! Deck out your ride with all the essential parts and graphics

5639-727: '12 F 800 LXR, F 1100 LXR (BLACK) \$299.95  
5639-728: '12 XF 800 LXR, XF 1100 LXR (BLACK) \$299.95

#### INCLUDES:

- White hood panels
- All the essential decals

5639-806: '12 F570 \$299.95  
5639-838: '12 F5 LXR \$299.95

#### INCLUDES:

- White front bumper and lower fascia
- White-striped seat cover
- All the essential decals

5639-576: '11 F570 \$249.95

#### INCLUDES:

- White front bumper and lower fascia
- All the essential decals

5639-607: '11 F5 LXR \$369.95  
5639-608: '11 F8 LXR, Z1 LXR \$369.95

#### INCLUDES:

- White front bumper and lower fascia, idler wheels and springs
- White-striped seat cover
- All the essential decals



WINDSCREEN AND HAND GUARDS OPTIONAL

5639-576

## CUSTOM ACCESSORIES



### FOX FLOAT 2

- An excellent performance and comfort upgrade for the trail rider
- Negative spring technology allows for faster, stiffer cornering while maintaining an ultraplush ride
- Reduces stuttering during initial travel
- Up to 6 lbs. lighter than conventional coil-over shocks
- Includes two rebuildable and revalveable IFP ski shocks and compact FOX® HP air pump
- Adjustments: main air chamber

5639-729: '12 F 800, F 1100, F 1100 TURBO, XF 800, XF 1100, XF 1100 TURBO  
5639-730: '12 M 800, M 1100, M 1100 TURBO  
5639-583: '12 F5, F570; '07-'11 F SERIES; '09-'11 Z1, Z1 TURBO  
5639-584: '05-'11 M SERIES  
5639-585: '06-'11 CF; '09-'11 CFR  
5639-586: '10-'12 SNO PRO 500

\$694.95



### FOX FLOAT R EVOL

- Take your riding to the next level of performance and adjustability
- Easy-adjust dual-rate air chambers quickly tune to terrain and riding style
- Fine tune ride height and plushness with the main air chamber and bottom-out resistance and roll stiffness with the Evol air chamber
- Includes two rebuildable and revalveable IFP ski shocks and compact FOX HP dual-gauge air pump
- Adjustments: main air chamber, Evol air chamber, rebound

5639-733: '12 F 800, F 1100, F 1100 TURBO, XF 800, XF 1100, XF 1100 TURBO  
5639-734: '12 M 800, M 1100, M 1100 TURBO  
5639-587: '12 F5, F570; '07-'11 F SERIES; '09-'11 Z1, Z1 TURBO  
5639-588: '05-'11 M SERIES  
5639-589: '06-'11 CF; '09-'11 CFR  
5639-590: '10-'12 SNO PRO 500

\$994.95



### AIRSHOX GUARDS

- Protects FOX Float® Float 2, Float Evol and Float R Evol AirShox™
- Sold in pairs

4639-044: BLACK 4639-135: GREEN 4639-136: ORANGE

\$29.95



### FOX FLOAT EVOL

- Increased performance and adjustability with the extra-volume Evol™ air chamber
- Easy-adjust dual-rate air chambers quickly tune to terrain and riding style
- Fine tune ride height and plushness with the main air chamber and bottom-out resistance and roll stiffness with the Evol air chamber
- Includes two rebuildable and revalveable IFP ski shocks and compact FOX HP dual-gauge air pump
- Adjustments: main air chamber, Evol air chamber

5639-731: '12 F 800, F 1100, F 1100 TURBO, XF 800, XF 1100, XF 1100 TURBO  
5639-732: '12 M 800, M 1100, M 1100 TURBO

\$849.95



### FOX FLOAT RC2 EVOL

- The lightest, most advanced and adjustable shock available
- Evol and main air chambers can be adjusted independently to control ride height, roll control and bottom-out resistance
- Includes two rebuildable, revalveable IFP ski shocks and compact FOX dual-gauge air pump
- Features Cross-Country valve package
- Adjustments: main air chamber, Evol air chamber, dual speed compression, rebound

5639-735: '12 F 800, F 1100, F 1100 TURBO, XF 800, XF 1100, XF 1100 TURBO  
5639-625: '10-'12 SNO PRO 500

\$1494.95



### FOX FLOAT 2 REAR ARM

- Negative spring technology allows for an extremely plush ride
- Reduces stuttering during initial travel
- Includes a rebuildable and revalveable IFP shock and compact FOX HP air pump
- Adjustments: main air chamber

5639-750: '12 M 800, M 1100, M 1100 TURBO, XF 800, XF 1100, XF 1100 TURBO; '08-'11 M SERIES

\$369.95



## CUSTOM ACCESSORIES

### SUSPENSION BLOCKS

- Durable, heavy-duty anodized aluminum
- Damage resistant during preload changes
- Sold in pairs

4639-853: BLACK  
4639-855: SILVER

\$52.95



### RECOIL HANDLE

- Custom anodized billet aluminum
- Universal

5639-452: BLACK  
5639-454: SILVER

\$52.95



### BILLET BRAKE LEVER

- Heavy-duty anodized aluminum design
- Lightweight, yet stronger than stock

'12 F 800, F 1100, F 1100 TURBO, M 800, M 800 HCR, M 1100, M 1100 TURBO, M 1100 TURBO HCR, XF 800, XF 1100, XF 1100 TURBO

5639-736: BLACK  
5639-737: SILVER

'12 F5, F570; ALL '07-'11 MODELS (EXCLUDES SNO PRO 500)  
4639-797: BLACK  
4639-799: SILVER

\$52.95



4639-799

### SNO PRO LEVER

- Custom anodized billet aluminum

'10-'12 SNO PRO 500  
5639-619: BLACK  
5639-620: SILVER

\$46.95



### SHORTY LEVER

- Durable billet aluminum with anodized finish
- Features a slim, two-finger design

'12 F5, F570; ALL '07-'11 MODELS (EXCLUDES SNO PRO 500)  
5639-505: BLACK  
5639-506: SILVER

\$46.95



### AXLE WASHERS

- Custom anodized billet aluminum
- Sold in pairs

'12 F 800, F 1100, F 1100 TURBO, M 800, M 800 HCR, M 1100, M 1100 TURBO, M 1100 TURBO HCR, XF 800, XF 1100, XF 1100 TURBO

5639-591: BLACK  
5639-592: SILVER

\$39.95

### POD SCREWS

- Quickly remove the dash pod without the use of tools
- Sold in pairs

'12 F5, F570; '10-'11 F SERIES; '08-'12 T570, TZ1 TOURING; '09-'12 BC 570; '09-'11 Z1, Z1 TURBO

5639-593: BLACK  
5639-594: SILVER

\$46.95



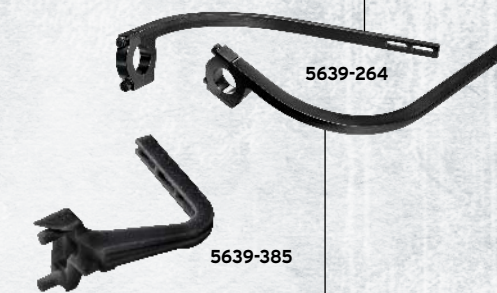
## CUSTOM ACCESSORIES

### SNO PRO HAND GUARDS

- Durable, injection-molded plastic
- Sold in pairs; mounts sold separately
- Requires low windshield
- Fits mounts 5639-264, 5639-385 & 5639-763

5639-384: GREEN  
5639-581: BLACK  
5639-261: ORANGE  
5639-262: WHITE

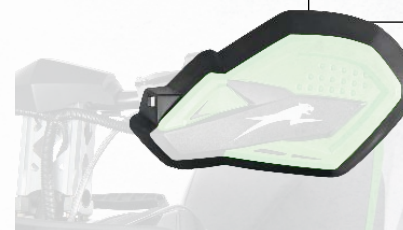
\$39.95



### HAND GUARD EXTENSION

- Flexible construction adds protection
- Fits Sno Pro Hand Guards (shown above)
- Sold in pairs

5639-263: \$39.95



### HANDLEBAR GRIPS

- Soft compound grips offer better shock absorption
- Includes two 8-in. grips, cut to length

5639-655: BLACK \$19.95



### SNO PRO MOUNT KITS

- Choose from rugged aluminum or durable, injection-molded nylon construction
- Fits Sno Pro Hand Guards (shown above)
- Sold in pairs; requires low windshield

#### ALUMINUM:

5639-264: '12 F 800, F 1100, F 1100 TURBO; '07-'11 F SERIES; '10-'12 SNO PRO 500; '09-'11 CFR, Z1, Z1 TURBO \$39.95

#### NYLON:

5639-763: '12 F 800, F 1100, F 1100 TURBO, M 800, M 800 HCR, M 1100, M1100 TURBO, M 1100 TURBO HCR, XF 800, XF 1100, XF 1100 TURBO

5639-385: '12 F5, F570, '07-'11 CF, F SERIES, M SERIES; '09-'11 CFR, M8 HCR, Z1, Z1 TURBO

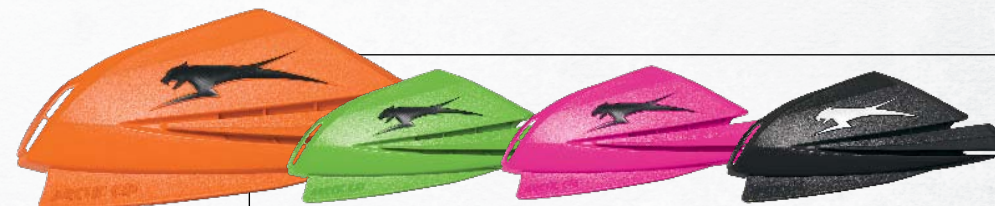
\$29.95

### ARCTIC CAT HAND GUARDS

- Durable, injection-molded plastic
- Sold in pairs; mounts sold separately
- Requires low windshield
- Fits mounts 4639-804 & 4639-805

4639-808: ORANGE 4639-807: GREEN  
5639-179: PINK 4639-806: BLACK

\$36.95



### ARCTIC CAT MOUNT KITS

- Choose from rugged aluminum or durable, injection-molded nylon construction
- Fits Arctic Cat Hand Guards (shown above)
- Sold in pairs; requires low windshield

#### ALUMINUM:

4639-805: '12 F 800, F 1100, F 1100 TURBO; '07-'11 F SERIES; '10-'12 SNO PRO 500; '09-'11 CFR, Z1, Z1 TURBO \$56.95

#### NYLON:

4639-804: '12 F5, F570, '07-'11 CF, F SERIES, M SERIES; '09-'11 CFR, M8 HCR, Z1, Z1 TURBO \$32.95



4639-804





**ARCTIC CAT SADDLELESS SKIS**

- Lightweight plastic skis are available in two widths
- Ideal for trail riding or commanding deep powder
- 4-in. carbide wearbars included
- Fits all applications '97 and newer

TRAIL SKIS:  
 5639-322: 6-IN. SKI KIT (PAIR) \$289.95  
 5639-323: 8-IN. SKI KIT (PAIR) \$349.95

MOUNTAIN SKIS:  
 STANDARD KEEL: 5639-877: 6-IN. SKI KIT (PAIR) \$289.95  
 COMPETITION KEEL: 5639-878: 6-IN. SKI KIT (PAIR) \$289.95



**C&A PRO ADX SKIS**

- X EDGE ski design offers excellent control for the aggressive rider
- Greatly reduces darting on the trails for recreational riders
- Better flotation from 6-in.-wide profile and extra racing grooves in ski bottom
- Includes mounting hardware
- Sold in pairs; wearbars sold separately
- Fits all applications '97 and newer

5639-603: 6-IN. SKI KIT (PAIR) \$379.95

**WEARBARS**

5639-604: 6-IN. CARBIDE WEARBARS (PAIR) \$79.95

SEE YOUR DEALER FOR ADDITIONAL WEARBAR OPTIONS



**SLP POWDER PRO SKIST™**

- Exceptional float and control in deep, loose snow
- Includes mounting hardware
- Sold in pairs; wearbars sold separately
- Fits all applications '97 and newer

5639-326: 7-IN. SKI KIT (PAIR) \$379.95

**WEARBARS**

3639-420: 4-IN. CARBIDE WEARBARS (PAIR) \$54.95

SEE YOUR DEALER FOR ADDITIONAL WEARBAR OPTIONS



**ARCTIC CAT SKI HANDLES**

- Fits Arctic Cat Saddleless Skis
- Sold in pairs

5639-744: ORANGE 5639-743: GREEN

3639-777: GREEN 3639-778: ORANGE

\$24.95

**SKID PLATES**

- Absolute impact protection from bumper to heat exchanger
- Super-rugged, 1/4-in.-thick High Molecular Weight Polyethylene protects vital components

FRONT:  
 '12 F 800, F 1100, F 1100 TURBO, M 800, M 800 HCR, M 1100, M 1100 TURBO, M 1100 TURBO HCR, XF 800, XF 1100, XF 1100 TURBO  
 5639-745: BLACK 5639-746: GREEN  
 5639-747: ORANGE 5639-748: WHITE

\$59.95

REAR:  
 '12 F 800, F 1100, F 1100 TURBO, M 800, M 800 HCR, M 1100, M 1100 TURBO, M 1100 TURBO HCR, XF 800, XF 1100, XF 1100 TURBO  
 5639-893: BLACK 5639-894: GREEN  
 5639-895: ORANGE 5639-896: WHITE

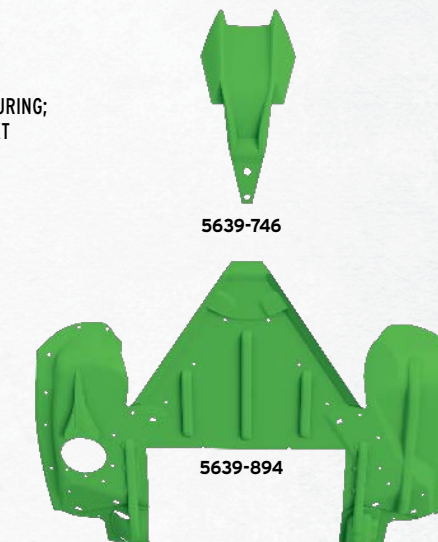
\$109.95

'12 F5, F570; '10-'11 F SERIES; '08-'12 T570, TZ1 TOURING; '09-'11 Z1, Z1 TURBO; '10-'11 Z1 TURBO EXT; '11 F8 EXT  
 4639-567: BLACK  
 4639-568: GREEN  
 4639-569: ORANGE

NOTE: '10-'11 Z1 MODELS REQUIRE TRIMMING AROUND EXHAUST OUTLET

\$169.95

'05-'11 M SERIES; '06-'11 CF; '09-'11 CFR, M8 HCR  
 3639-838: BLACK \$129.95  
 3639-839: GREEN \$129.95  
 4639-564: ORANGE \$129.95  
 5639-582: WHITE \$129.95  
 5639-223: BLACK \$169.95

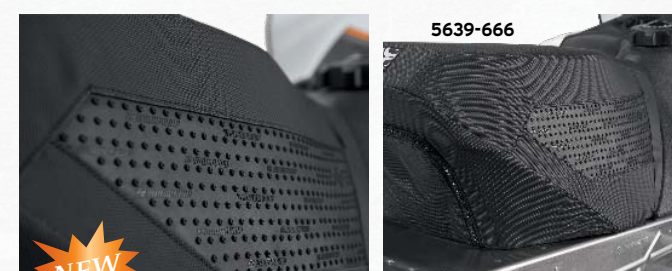


**GRIP PLATES**

- Exceptional traction with durable, long-lasting, powder-coated aluminum construction
- Offers complete front-to-rear tunnel edge grip
- Sold in pairs

'12 F5, F570; '10-'11 F SERIES; '10-'11 Z1, Z1 TURBO, Z1 TURBO EXT; '11 F8 EXT  
 5639-328: BLACK 5639-329: GREEN 5639-330: ORANGE

\$42.95



**NEW**

**GRIPPER SEAT COVER**

- Made with gripper vinyl with Stomprip® traction panels
- May cause wear on snow pants
- Available in black

5639-845: '12 F 800, F 1100, F 1100 TURBO, XF 800, XF 1100, XF 1100 TURBO \$149.95  
 5639-846: '12 M 800, M 800 HCR, M 1100, M 1100 TURBO, M 1100 TURBO HCR \$149.95  
 5639-667: '10-'12 SNO PRO 500 \$149.95  
 5639-666: '10-'11 M SERIES, M8 HCR \$179.95

**NEW**

**TUNNEL GRIPS 2 P/N 1 IMAGE RESHOOT ON MACHINE**

**TUNNEL GRIPS**

- Offers increased contact between the sled and rider
- Pre-molded with rounded edges that resist peeling
- Premium 3M™ adhesive
- Sold in pairs

5639-839: '12 F 800, F 1100, F 1100 TURBO, M 800, M 800 HCR, M 1100, M 1100 TURBO, XF 800, XF 1100, XF 1100 TURBO

\$49.95





5639-169



5639-458



5639-333

**SNOW MESH**

- Prevents snow and water infiltration
- Self-adhesive screens install over vents/openings
- Screens feature a coarse mesh to maximize airflow

**BUMPER:**

5639-836: '12 F 1100, F 1100 TURBO, M 1100, M1100 TURBO, M 1100 TURBO HCR, XF 1100, XF 1100 TURBO \$26.95

5639-332: '12 F5, F570; '10-'11 F SERIES; '08-'12 T570, TZ1 TOURING; '09-'12 BC 570; '09-'11 Z1 \$32.95

5639-352: '09-'11 TZ1 TURBO TOURING, Z1 TURBO \$32.95

5639-169: '05-'11 M SERIES; '06-'11 CF; '09-'11 CFR, M8 HCR \$26.95

**HOOD:**

5639-458: '12 F5; '07-'11 F SERIES; '08-'12 TZ1 TOURING; '09-'12 BC Z1 XT; '09-'11 Z1 (NON-TURBO) \$32.95

5639-333: '05-'11 M SERIES; '06-'11 CF; '09-'11 CFR, M8 HCR \$32.95

5639-396: '10-'12 SNO PRO 500 \$32.95

5639-633: '03-'06 FC, SC \$36.95

**CLUTCH:**

5639-835: '12 F 800, F 1100, F 1100 TURBO, M 800, M 800 HCR, M 1100, M 1100 TURBO, M 1100 TURBO HCR, XF 800, XF 1100, XF 1100 TURBO \$26.95



**NEW**

**SNOWFLAP**

'12 F 800, F 1100, F 1100 TURBO, XF 800, XF 1100, XF 1100 TURBO  
5639-840: GREEN 5639-841: ORANGE

'12 M 800, M 800 HCR, M 1100, M 1100 TURBO, M 1100 TURBO HCR  
5639-842: GREEN 5639-843: ORANGE

\$49.95



**WEAR STRIPS**

- Sold individually

121-IN.-128-IN. MODELS

2604-819: GREEN 2604-289: ORANGE

\$14.95

136-IN.-162-IN. MODELS

2604-821: GREEN 1604-769: ORANGE

\$19.95



**HEADLIGHT COVERS**

- Protects valuable headlights from damage
- Easy-to-attach Velcro fasteners

NOTE: SOME STATES AND REGIONS MAY PROHIBIT THE USE OF COLORED HEADLIGHT COVERS. PLEASE CHECK WITH LOCAL AND STATE LAWS. ARCTIC CAT SALES INC. SHALL NOT BE LIABLE FOR ANY CLAIMS RESULTING FROM THE USE OF ILLEGAL HEADLIGHT COVERS.

'12 F 800, F 1100, F 1100 TURBO, M 800, M 800 HCR, M 1100, M 1100 TURBO, M 1100 TURBO HCR, XF 800, XF 1100, XF 1100 TURBO

5639-753: CHROME 5639-754: GREEN CHROME 5639-755: SMOKE

'12 F5, F570; '10-'11 F SERIES; '10-'11 Z1, Z1 TURBO, Z1 TURBO EXT; '11 F8 EXT  
5639-756: CHROME 5639-757: GREEN CHROME 5639-758: SMOKE

'05-'11 M SERIES; '06-'11 CF; '09-'11 CFR, M8 HCR  
5639-759: CHROME 5639-760: GREEN CHROME 5639-761: SMOKE

\$39.95



**A-ARM DEFLECTORS**

- Reduces snow spray
- Sold in pairs

'12 F5, F570; '10-'11 F SERIES; '08-'12 T570, TZ1 TOURING; '09-'12 BC 570; '09-'11 Z1  
4639-897: BLACK 4639-898: GREEN  
4639-899: ORANGE

\$26.95



**WINDSHIELD MIRRORS**

- Mounts to the outside of the windshield
- Provides a clear view of the situation behind you
- Purchase in singles or pairs

'12 F5, F570; '10-'11 F SERIES; '08-'12 T570, TZ1 TOURING; '09-'11 BC, Z1, Z1 TURBO  
4639-733: PAIR \$64.95

4639-734: SINGLE \$32.95



5639-565

**COMPACT MIRRORS**

- Smaller design mounts to the inside of the windshield
- Sold individually

4639-565: '12 F5, F570; '10-'11 F SERIES; '08-'12 T570, TZ1 TOURING; '09-'11 BC, Z1, Z1 TURBO

4639-463: '05-'11 M SERIES; '06-'11 CF; '09-'11 CFR, M8 HCR

\$19.95



5639-463

**HAND MIRROR**

- Easily straps on/off with Velcro

4992-810: \$8.95



## MOUNTAIN ACCESSORIES

When you're ski-deep in the powder, you're not thinking about anything but trying to control your adrenaline. Good thing this section has tons of great accessories designed to make taking on the backcountry a whole lot easier.



The mountain man's toolkit.

## MOUNTAIN ACCESSORIES



### MOUNTAIN PACK

- Compact, handy tool/gear storage
- Quick-fasten straps attach to rear bumper

5639-710: '12 M 800, M 800 HCR, M 1100, M 1100 TURBO, M 1100 TURBO HCR, XF 800, XF 1100, XF 1100 TURBO; '09-'11 M SERIES, M8 HCR \$69.95



NEW

### MOUNTAIN GEAR BAG

- Large capacity for generous overnight storage
- Quick-fasten straps attach to rear bumper

5639-711: '12 M 800, M 800 HCR, M 1100, M 1100 TURBO, M 1100 TURBO HCR, XF 800, XF 1100, XF 1100 TURBO \$114.95



5639-574

### TUNNEL GEAR BAG

- Heavy-duty bag offers generous capacity
- Easily installs with quick-fasten straps

5639-574: '12 F5, F570; '10-'11 F SERIES; '10-'11 M SERIES, Z1, Z1 TURBO, Z1 TURBO EXT; '11 F8 EXT \$114.95



5639-043

5639-043: '09-'11 M SERIES, M8 HCR, CF, CFR \$114.95



### TUNNEL PACK

- Mid-capacity storage
- Secure, easy-to-use quick-fasten straps

5639-433: '10-'12 SNO PRO 500; '10-'11 M SERIES \$114.95

### HANDLEBAR BAG

- Conveniently holds cap, cell phone, wallet, etc.
- Easy-access zippered top flap

5639-709: '12 M 800, M 800 HCR, M 1100, M 1100 TURBO, M 1100 TURBO HCR, XF 800, XF 1100, XF 1100 TURBO

4639-770: '09-'12 BC 570, BC XT; '05-'11 M SERIES; '06-'11 CF

\$42.95



5639-709





5639-764



5639-052



5639-612

**TANK PADS**

- Provides comfort and grip
- Sold in pairs

'12 F 800, F 1100, F 1100 TURBO, M 800, M 800 HCR, M 1100, M 1100 TURBO, M 1100 TURBO HCR, XF 800, XF 1100, XF 1100 TURBO  
5639-764: BLACK \$39.95

'05-'11 M SERIES; '06-'11 CF; '09-'11 CFR, M8 HCR  
5639-050: BLACK 5639-051: GREEN 5639-052: ORANGE

\$39.95

'10-'12 SNO PRO 500  
5639-612: BLACK \$49.95



4639-428

**WINDSHIELD BAG**

- Offers out-of-the-way storage for smaller items
- Fits neatly behind windshield

5639-712: '12 F 800, F 1100, F 1100 TURBO, M 800, M 800 HCR, M 1100, M 1100 TURBO, M 1100 TURBO HCR, XF 800, XF 1100, XF 1100 TURBO

4639-428: '05-'11 M SERIES; '06-'11 CF; '09-'11 CFR, M8 HCR

\$39.95



**LINER BAG**

- A water-resistant bag for clean, underseat storage

5639-350: '10-'11 M SERIES, M8 HCR \$32.95



**TANK GRIPS**

- Provides secure knee grip with Stomprip traction panels
- Premolded with rounded edges that resist peeling
- Premium 3M adhesive
- Sold in pairs

5639-762: '12 F 800, F 1100, F 1100 TURBO, M 800, M 800 HCR, M 1100, M 1100 TURBO, M 1100 TURBO HCR, XF 800, XF 1100, XF 1100 TURBO \$29.95



5639-767 (CLOSED)



5639-767 (OPEN)

**GOGGLE HOLDER**

- Engine heat dries goggles while you ride

NOTE: DO NOT LEAVE GOGGLES IN HOLDER FOR EXTENDED PERIODS. HEAT MAY DAMAGE GOGGLES.

5639-767: '12 F 800, F 1100, F 1100 TURBO, M 800, M 800 HCR, M 1100, M 1100 TURBO, M 1100 TURBO HCR, XF 800, XF 1100, XF 1100 TURBO \$39.95

4639-732: '05-'11 M SERIES; '06-'11 CF; '09-'11 CFR, M8 HCR \$34.95



4639-732



**BILLET RACK**

- Durable billet aluminum with anodized finish
- Low-profile design

'12 M 800, M 800 HCR, M 1100, M 1100 TURBO, M 1100 TURBO HCR, '09-'11 M SERIES, M8 HCR  
5639-597: BLACK 5639-598: SILVER

\$114.95



**M SERIES RACK**

- Durable, lightweight aluminum
- Scratch-resistant powder coating
- Adjusts to desired size

'09-'11 M SERIES, M8 HCR  
4639-975: GREEN  
4639-976: ORANGE  
4639-977: UNPAINTED

\$49.95



**RACK STRAP**

- Strong, heavy-duty nylon straps
- Quick-release buckle
- Easily secures gear and gas cans

4639-978: '12 M 800, M 800 HCR, M 1100, M 1100 TURBO, M 1100 TURBO HCR, XF 800, XF 1100, XF 1100 TURBO; '09-'11 M SERIES, M8 HCR, CF \$29.95



**PROCLIMB™ RACK**

- Stylish, lightweight, powder-coated aluminum
- Tunnel Reinforcement Kit (page 93) recommended for carrying heavy loads

'12 M 800, M 800 HCR, M 1100, M 1100 TURBO, M 1100 TURBO HCR  
5639-773: GREEN 5639-774: ORANGE 5639-775: SILVER

\$49.95



**MOUNTAIN SEAT**

- Short, high-rise design
- Blow-molded base
- 12.5 in. high, 10.5 lbs.

'05-'09 M SERIES; '06-'11 CF; '09-'11 CFR  
5639-600: BLACK  
5639-601: GREEN  
5639-602: ORANGE

\$299.95



**BEARD MOUNTAIN SEAT**

- High-rise seat with a lightweight aluminum base
- Gripper vinyl cover
- 13 in. high, 10 lbs.

5639-875: '05-'11 M SERIES; '06-'11 CF; '09-'11 CFR \$349.95





**FLOAT AVALANCHE AIRBAGS**

Excavation time is the biggest contributing factor in avalanche fatalities. Our Float avalanche airbags are designed to minimize excavation time by preventing burial. These are the first airbags that are both affordable and easily reusable.

- Simply pull the T-grip to inflate the 150-liter airbag to stay on top of the snow surface
- Excellent peripheral vision from behind-head inflation
- Does not replace the need for an avalanche beacon, probe, shovel and safety education
- Hydration compatible
- Includes pressurized air cylinder
- Hazardous-shipping charges may apply

FOR TECH SUPPORT, CONTACT BACKCOUNTRY ACCESS AT 303-417-1345 ext. 0



**FLOAT 30™**  
-8 lbs., 30-liter capacity  
5639-482: \$749.95



**FLOAT 18™**  
-6.5 lbs., 18-liter capacity  
5639-812: \$679.95



**AVALANCHE BEACONS**

When faced with an on-mountain emergency, these easy-to-use and efficient beacons are a necessity among your supplies:



**TRACKER2™**

- The fastest, most precise pinpointing, with triple receiver antenna
- Instantaneous real-time display and easy-to-use interface
- An intuitive search/transmit switch makes it easier to use
- Thinner profile and harness than Tracker DTS
- Features special mode and multiple burial indicator lights
- Includes harness

FOR TECH SUPPORT, CONTACT BACKCOUNTRY ACCESS AT 303-417-1345 ext. 0

5639-610: \$334.95

**TRACKER DTS™**

- Real-time digital display indicates direction and distance to a buried rider
- Rapid processor and simple user interface
- Bright LED lights make it easy to see even in tough conditions
- Includes harness

5639-267: \$289.95



**BACKCOUNTRY KIT**

- Includes Squall Backpack, Tracker2 Avalanche Beacon, B-1 Ext Shovel and Profile 240 Probe

5639-768: \$479.95



**BCA SQUALL**

- Basic pack with roll-top access
- Includes 2-liter hydration bladder
- 2 lbs., 27-liter capacity

5639-769: \$99.95



**BCA THROTTLE**

- Deluxe pack with multiple storage pockets
- Includes 3-liter hydration bladder
- 3.3 lbs., 35-liter capacity

5639-653: \$134.95



**OGIO CAPITAL**

- Specifically made for the active rider
- Handy goggle pocket and tool organizer panel
- Offers convenient shovel storage
- Comfortable sternum and waist straps
- Hydration compatible
- 2.6 lbs., 34-liter capacity

5639-432: \$99.95



**A-2 EXT SHOVEL**

- An integrated shovel system with a larger blade and extendable handle
- Includes a 35-cm snow/wood saw stowed inside the grip
- Extends up to 37 3/4 in. long, 10-in. x 11-in. blade, 31 oz.

5639-786: \$89.95



**B-1 EXT SHOVEL**

- Extendable handle shovel with an unbeatable strength-to-weight ratio
- Tough oval shaft with a new ergonomic grip
- Extends up to 28 3/4 in. long, 9-in. x 10-in. blade, 21 oz.

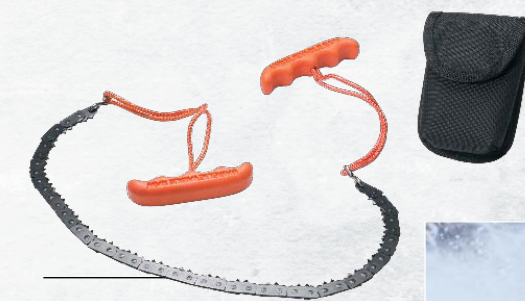
5639-770: \$49.95



**PROFILE 240 PROBE**

- Helps determine the exact location of a rider buried in an avalanche
- Features quick tensioning system and depth markings
- Constructed of 7075 aluminum, 9 oz.
- Compact, yet extends to 7 feet, 11 inches
- Collapses to length of 18 inches

5639-266: \$49.95



**POCKET SAW**

- High-strength, heat-treated steel
- Rust-resistant coating
- Retains sharpness
- Storage bag included

4639-979: \$34.95





5639-169

**SNOW MESH**

- Prevents snow and water infiltration
- Self-adhesive screens install over vent openings

**CLUTCH:**

5639-835: '12 F 800, F 1100, F 1100 TURBO, M 800, M 800 HCR, M 1100, M 1100 TURBO, M 1100 TURBO HCR, XF 800, XF 1100, XF 1100 TURBO \$26.95

**BUMPER:**

5639-836: '12 F 1100, F 1100 TURBO, M 1100, M 1100 TURBO, M 1100 TURBO HCR, XF 1100, XF 1100 TURBO \$26.95

**HOOD:**

5639-169: '05-'11 M SERIES; '06-'11 CF; '09-'11 CFR, M8 HCR \$26.95  
5639-333: '05-'11 M SERIES; '06-'11 CF; '09-'11 CFR, M8 HCR \$32.95

**INTAKE:**

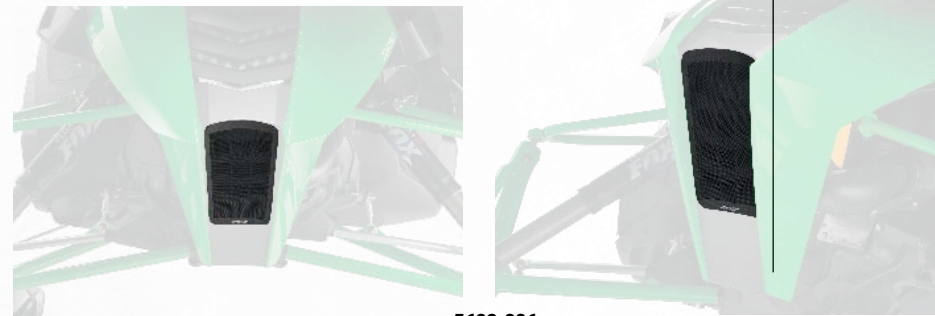
5639-334: '05-'11 M SERIES; '06-'11 CF; '09-'11 CFR, M8 HCR \$32.95



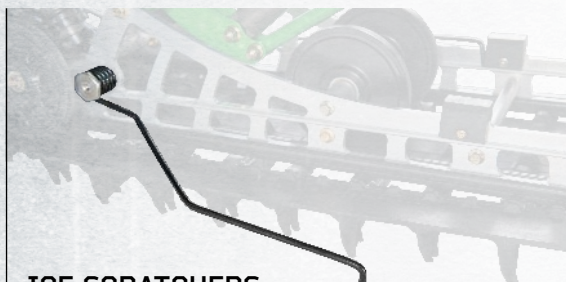
5639-333



5639-334



5639-836



**ICE SCRATCHERS**

- Helps prevent wear strip "wear" and overheating when on ice and hardpack
- Use caution when operating sled in reverse
- Sold in pairs

5639-897: '12 M 800, M 800 HCR, M 1100, M 1100 TURBO, M 1100 TURBO HCR, XF 800, XF 1100, XF 1100 TURBO; '09-'11 M SERIES, M8 HCR, CF \$49.95



**VENTED HOOD PANELS  
RESHOOT LAYDOWN**



**VENTED HOOD PANELS**

- Increase performance by adding underhood cooling
- Includes right- and left-routed hood panels with Snow Mesh screens
- Recommended for competition use only
- Decals not included

'12 F 800, F 1100, F 1100 TURBO, M 800, M 800 HCR, M 1100, M 1100 TURBO, M 1100 TURBO HCR, XF 800, XF 1100, XF 1100 TURBO  
5639-862: BLACK  
5639-863: GREEN  
5639-864: ORANGE

\$249.95

**VENTED SIDE PANELS  
RESHOOT LAYDOWN**



**VENTED SIDE PANELS**

- Releases underhood heat in extreme conditions
- Includes right- and left-routed side panels with Snow Mesh screens
- Recommended for competition use only
- Decals not included

'12 F 800, F 1100, F 1100 TURBO, M 800, M 800 HCR, M 1100, M 1100 TURBO, M 1100 TURBO HCR, XF 800, XF 1100, XF 1100 TURBO  
5639-865: BLACK  
5639-866: GREEN  
5639-867: ORANGE

\$349.95



**SWITCH GUARDS**

- Helps prevent accidental bumping of control switches
- Includes hand/thumb warmer guard, stop switch guard and adhesive

5639-580: '12 M 800, M 800 HCR, M 1100, M 1100 TURBO, M 1100 TURBO HCR, XF 800, XF 1100, XF 1100 TURBO; '07-'11 M SERIES; '09-'11 M8 HCR \$19.95



**TELESCOPIC STEERING POST**

- Raise it up in the powder, drop it down on the trail
- Features easy one-hand adjustment with 12 positions
- 12 models convert to a vertical post position

5639-813: '12 F 800, XF 800, M 800 (STD) \$229.95  
5639-516: '09-'11 M SERIES (STD), CF (STD) \$189.95



**HANDLEBAR RISERS**

- Strong, extruded aluminum
- Improved comfort from a custom fit

'12 F 800, F 1100, F 1100 TURBO, M 800 (STD), M 1100, M 1100 TURBO, XF 800, XF 1100, XF 1100 TURBO

<b>BLACK:</b>		<b>GREEN:</b>	
5639-881: 4.5 IN.	\$29.95	5639-886: 4.5 IN.	\$29.95
5639-882: 5.5 IN.	\$32.95	5639-887: 5.5 IN.	\$32.95
5639-883: 6.5 IN.	\$34.95	5639-888: 6.5 IN.	\$34.95
5639-884: 7.5 IN.	\$39.95	5639-889: 7.5 IN.	\$39.95
5639-885: 8.5 IN.	\$44.95	5639-890: 8.5 IN.	\$44.95



'05-'11 M SERIES (STD); '06-'11 CF (STD)  
5639-776: 1 IN. \$17.95  
5639-777: 2 IN. \$26.95  
5639-778: 3 IN. \$34.95



**ANGLED HANDLEBAR RISERS**

- Increased comfort when standing by shifting bar position forward
- Durable billet aluminum with anodized finish

'05-'11 M SERIES (STD); '06-'11 CF (STD)  
5639-503: 2 IN. \$119.95  
5639-504: 3 IN. \$129.95



**OFFSET RISER**

- Increased comfort when standing by shifting bar position forward
- Durable billet aluminum with anodized finish
- 1/2 in. high, 1 1/2 in. forward

'09-'11 M SERIES, M8 HCR W/ TELESCOPIC POST  
5639-595: BLACK  
5639-596: SILVER

\$124.95





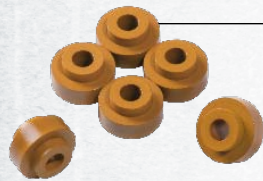
**MOUNTAIN STRAP**  
-Flexible, center-mount grab strap for aggressive riding  
5639-358: '10-'11 Z1 TURBO EXT; '11 F8 EXT \$42.95



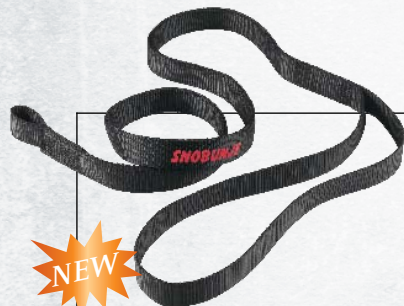
**RACK PAD**  
-Protects the tunnel while adding style  
-Trim to desired size  
-5639-351 features a flat-bottom design  
4639-988: '09-'11 M SERIES, M8 HCR, CF, CFR  
5639-351: '10-'11 F SERIES, Z1, Z1 TURBO, Z1 TURBO EXT; '11 F8 EX  
\$47.95



**LIGHTWEIGHT FRONT AXLE KIT**  
-Long-wearing, hard-anodized aluminum  
-1.7 lbs. lighter  
4639-995: '05-'08 M SERIES \$59.95



**HIGH-TEMP ROLLER KIT**  
-Extra-durable rollers for high-horsepower applications  
-Set of 6  
5639-468: ACT DRIVEN PULLEY \$29.95



**ADAPTER STRAP**  
-Safely applies pulling force on the ski spindle while turning a sled sideways  
-Use in conjunction with Rattler or Cobra  
5639-642: \$11.95



**COBRA**  
-Sled-to-sled pulling tool  
-Made of stretch cords bundled in a corrugated vinyl tube with a hook on both ends  
-Creates 300 lbs. to 400 lbs. of static pulling force  
5639-640: \$79.95



**SLICKTAPE 20**  
-Ultrastrong, lightweight 20-ft. towline  
-2500 lbs. tensile strength  
-Use in conjunction with Rattler or Cobra  
-Includes storage bag  
5639-643: \$27.95



**RATTLER**  
-Maximizes the pulling force of your body  
-Made of strong stretch cords bundled in a corrugated vinyl tube  
-The Safety Strap hook attaches to the ski of the stuck sled with a grab handle on the other end  
5639-639: \$69.95



**PULL STRAP**  
-Handy strap helps to free a stuck sled  
-Compact size rolls up for easy storage  
5639-512: \$17.95



## Change your belt to match your ride.

### BELTS

- Custom fit to match each Arctic Cat sled and specific use
- Better contact with clutch surface and faster acceleration from double cogs
- Increased belt life by running 15° cooler than aftermarket belts
- Reinforced with Aramax® aramid fibers for huge strength and durability
- Increased power transmission and less slip from aramid-fiber rubber compounds

### KEVLAR DRIVE BELTS AVAILABLE FOR F, M AND XF MODELS, WHICH:

- Dramatically extend belt life
- Sustain belt length better than steel cords
- Note: Proper break-in period required

### PREMIUM ARCTIC CAT "EXTENDED-LIFE" ORIGINAL EQUIPMENT REPLACEMENT BELTS

Don't settle for anything less than a drive belt built specifically for your sled. Proven through extensive lab and field testing, original equipment Arctic Cat replacement belts are precision-engineered for each Arctic Cat snowmobile.

### CUSTOM-ENGINEERED FIT

While non-OEM aftermarket belts offer "one construction fits all," Arctic Cat Research & Development "custom-engineers" each genuine Arctic Cat belt to match the specific performance characteristics of your sled. This produces the best combination of strength, durability and responsiveness for lower-horsepower, fan-cooled sleds all the way up to high-horsepower muscled sleds. Each one is built using only the finest materials, incorporating precision manufacturing techniques to meet exacting tolerances.

### TOP & BOTTOM COGS

Arctic Cat original equipment belts are double cogged, so more of the belt contacts the clutch surfaces. This results in faster acceleration, maximum efficiency, and superb overall performance. Double-cog design provides a larger surface area for greater cooling and longer life. In fact, this belt runs up to 15° cooler than flat-top aftermarket belts.

### ARAMAX HIGH-MODULUS (LOW-STRETCH) ARAMID-FIBER TENSILE MEMBER

The Aramax inner cord provides incredible strength and durability for high-horsepower, high-performance sleds. In addition, each belt is reinforced with top-grade, high-flexibility, shock-resistant Aramax aramid-fiber cords, and chemically treated for maximum power transmission and length stability.

### HIGH-PERFORMANCE PREMIUM COMPOUNDS

Arctic Cat's OEM belts incorporate advanced "premium" compound materials that ensure optimum belt performance under all riding conditions. The advanced aramid-fiber-loaded rubber compound resists wear and delivers consistent power while minimizing slippage over a broad range of operating temperatures. The thicker, highly flexible design increases grip to clutch surfaces for increased power transmission.

### ARCTIC CAT KEVLAR DRIVE BELTS

These ultimate-performance Arctic Cat Kevlar drive belts are custom-engineered for F, M and XF models. Extended-life belts feature top and bottom molded cog construction and high-performance compounds. Inside, the Kevlar cord provides increased belt life and sustains belt length better than steel cords. Please note that proper belt "break-in" is required.

SEE YOUR DEALER FOR SPECIFIC PART NUMBERS, APPLICATIONS AND PRICING





Where practicality meets awesome.



**BEARCAT® GEAR BAG**

- Giant, truck-style storage
- Mounts either vertically with passenger seat or horizontally without

5639-049: '09-'12 BC 570 XT, BC Z1 XT \$229.95



**TUNNEL PACK**

- Mid-capacity storage
- Secure, easy-to-use quick-fasten straps
- Mounts with passenger seat installed or removed

6606-252 '09-'12 BC 570 XT, BC Z1 XT \$129.95



5639-499



5639-522

**SNOW MESH**

- Prevents snow and water infiltration
- Installs over intake vents/openings

**BUMPER**

5639-522: '09-'12 BC 570 XT, BC Z1 XT \$42.95  
5639-332: '09-'12 BC 570 \$32.95

**HOOD**

5639-458: '09-'12 BC Z1 XT \$32.95

**REAR**

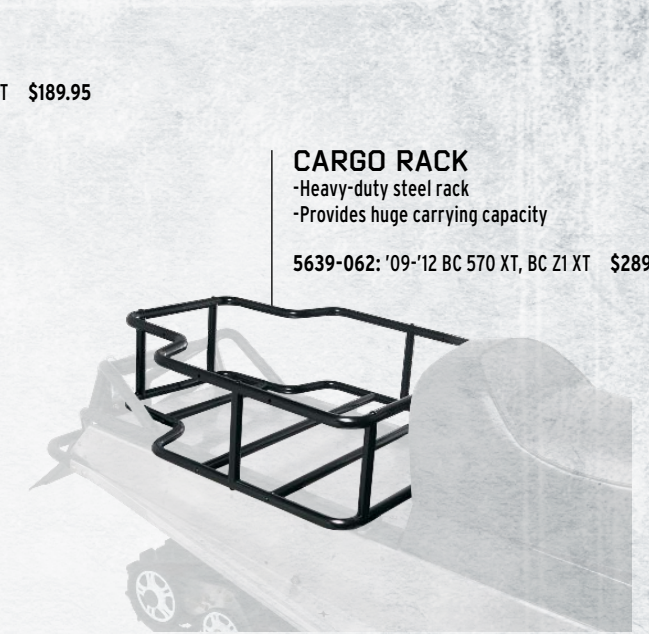
5639-499: '09-'12 BC Z1 XT \$14.95



**THIRD SEAT**

- Secures to rear rails
- Allows for a third passenger
- Easy to install/remove

5639-063: '09-'12 BC 570 XT, BC Z1 XT \$189.95



**CARGO RACK**

- Heavy-duty steel rack
- Provides huge carrying capacity

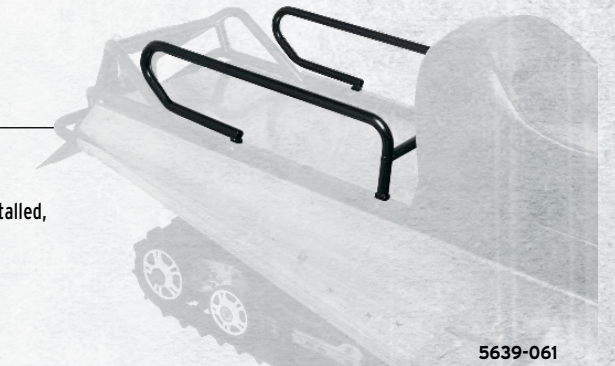
5639-062: '09-'12 BC 570 XT, BC Z1 XT \$289.95



**SIDE RAILS**

- Adds cargo capacity
- Use short rail when passenger seat is installed, long rail when seat is removed

'09-'12 BC 570 XT, BC Z1 XT  
5639-060: SHORT \$64.95  
5639-061: LONG \$84.95



5639-061



**NEW**

**LIGHT BAR**

- Positions the work light above the rider's head for greater visibility
- Includes tubular steel frame, LED light, wiring and switch
- 4 pin quick-attach mounting system
- Requires removal of passenger seat
- 48 in. high

5639-803: '09-'12 BC 570 XT, BC Z1 XT \$379.95



**NEW**

**STROBE LIGHT**

- Mounts to the Light Bar for added visibility and safety
- Features rugged, durable LED lights
- Includes strobe light, wiring and switch
- 4 1/2 in. high

5639-871: FITS LIGHT BAR 5639-803 \$129.95





**RECEIVER BUMPER**  
 -Heavy-duty front and rear bumpers feature a 2-in. receiver hitch  
 -Rust-resistant powder coating  
 -Required for Snowplow or Receiver Winch

'09-'12 BC 570 XT, BC Z1 XT  
 5639-339: REAR \$189.95  
 5639-338: FRONT \$119.95



5639-338

**HITCH**

-2-in. receiver hitch includes pin and clip  
 -Pintle or pivot hitch not included

5639-386: '09-'12 BC 570 XT, BC Z1 XT \$42.95



**PIVOT HITCH**

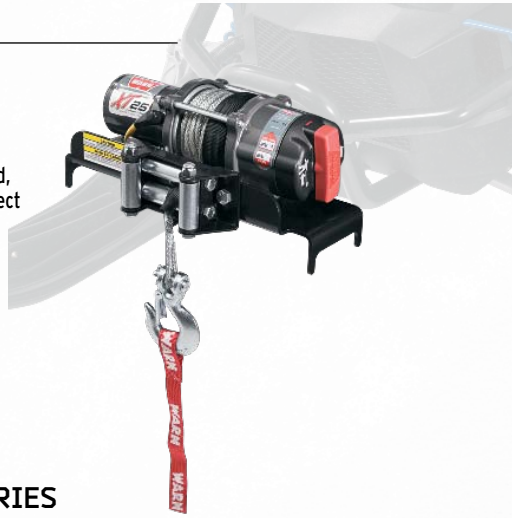
-Easily converts the standard pintle hitch to a pivot hitch

5639-387: '09-'12 BC 570 XT, BC Z1 XT \$49.95

**RECEIVER WINCH**

-Arctic Cat/WARN® designed and engineered  
 -Convenient handlebar-mounted rocker switch  
 -Solenoid controller for key-only operation  
 -Includes winch, receiver mount, roller fairlead, solenoid, handlebar switch and front harness with quick-disconnect  
 -Includes 50 ft. of steel cable  
 -2,500-lb. capacity  
 -Requires Receiver Bumper

5639-340: '09-'12 BC 570 XT, BC Z1 XT \$699.95



**WINCH ACCESSORIES**

**WINCH COVER**

-Protects winch motor when not in use

5639-459: \$39.95



**TRANSPORT MOUNT**

-Allows winch to be carried in a secure, out-of-the-way position  
 -Mounts to rear tunnel side

5639-457: '09-'12 BC 570 XT, BC Z1 XT \$39.95



**REAR HARNESS (not shown)**

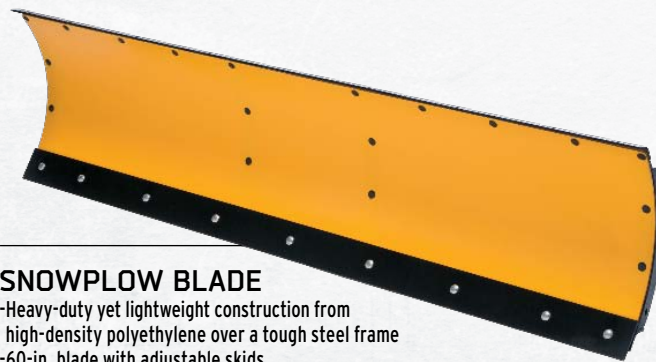
-Harness with quick-disconnect is required when using Receiver Winch in rear bumper

5639-456: \$94.95

**SNOWPLOW PUSH FRAME**

-Strong, heavy-duty steel construction  
 -Adjustable plow angle and cutting-edge angle  
 -Quick-connect system for easy installation and detachment  
 -Rust-resistant powder coating  
 -Requires Front Receiver Bumper and Receiver Winch; blade sold separately

5639-341: '09-'12 BC 570 XT, BC Z1 XT \$399.95



**SNOWPLOW BLADE**

-Heavy-duty yet lightweight construction from high-density polyethylene over a tough steel frame  
 -60-in. blade with adjustable skids  
 -Requires Snowplow Push Frame

0436-296: \$219.95

**WARN® PORTABLE WINCH KIT**

-Boasts 1,500 lbs. of pulling power  
 -Hooks to load quickly during free-spool mode  
 -Custom, durable canvas storage bag included  
 -Includes 50 ft. of 5/32-in.-diameter rope  
 -Weighs just 15 lbs.

4639-138: MODELS WITH STANDARD BATTERY \$529.95



WHEN ORDERING A PLOW SYSTEM, YOU NEED:  
 RECEIVER BUMPER - RECEIVER WINCH  
 SNOWPLOW PUSH FRAME - SNOWPLOW BLADE

**CARGO SLEDS** (added freight charges may apply)

-Reliable, ultradurable, high-impact, flexible polyethylene  
 -Heavy-duty swivel hitch  
 -Haul heavy loads with straight-tracking bottom  
 -74" L x 38" W x 17" D

4639-126: \$239.95



**CARGO SLED RUNNER KITS**

-Protects bottom with bolt-on 1/2-in. plastic runners  
 -Includes six wearstrips

4639-131: \$89.95



**CARGO SLED COVER**

-Snug, heavy-duty canvas with elastic bottom

4639-129: \$57.95



**SKI SKINS**

-Added flotation from 12-in.-wide ski skins  
 -Fits 8-in. Saddleless Skis  
 -Sold in pairs; includes mounting hardware

5639-254: '09-'12 BC 570, BC 570 XT, BC Z1 XT \$149.95



**BACKUP LIGHT KIT**

-Excellent illumination in a compact (20 watt) size  
 -Easily mounts to the rear of tunnel  
 -Includes wiring and switch  
 -Activated by reverse application

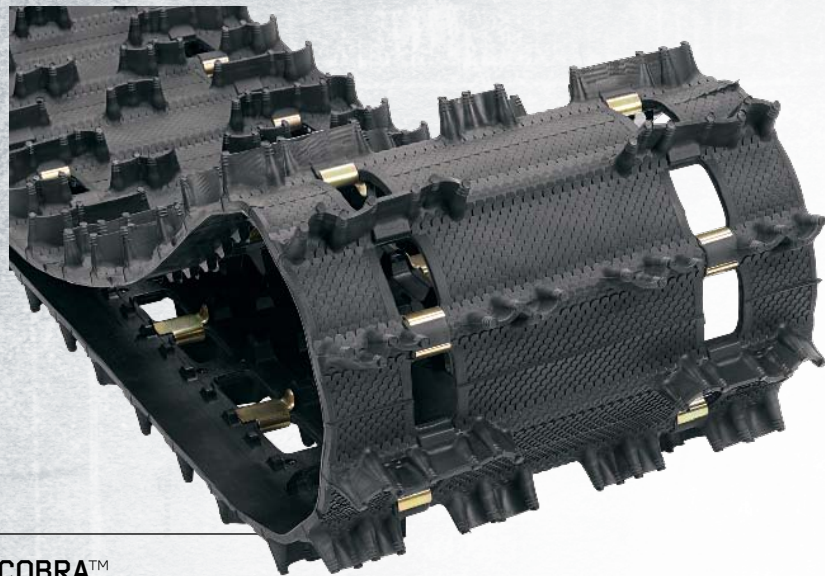
5639-389: '09-'12 BC 570 XT, BC Z1 XT \$52.95

**PASSENGER HAND WARMERS**

-Electrically powered warmth

4639-970: '09-'12 BC Z1 XT \$109.95





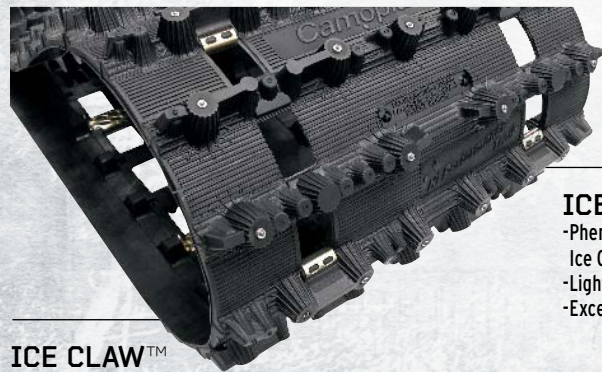
**HACKSAW™**  
 -Excellent on hardpack  
 -RipSaw™ derivative features superior handling from crescent profiles  
 -Recessed tips and cutting edges slice into hard snow

**COBRA™**  
 -Scales for excellent traction and grip, while providing ample float in loose snow  
 -Offers improved powder performance from a unique lug shape and pattern  
 -Free-wheeling track from single-ply technology requires much less horsepower



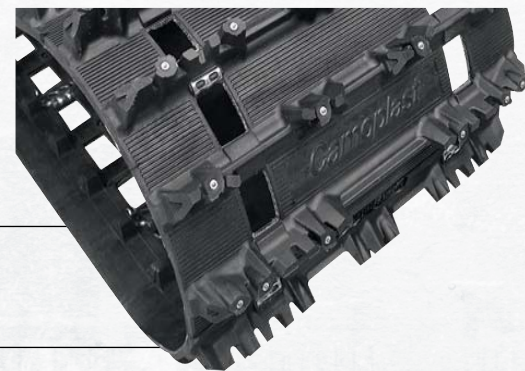
**RIPSAW**  
 -Versatile and aggressive with angled profiles for a wide variety of conditions  
 -Outstanding forward and lateral bite for superior handling/acceleration

**POWER CLAW™**  
 -Phenomenal, lightweight deep powder performance from a 3.0-in. pitch  
 -Excellent sidehill grip from 2.25-in. stagger-set, curved forward paddle towers  
 -Longer useful track life, as it won't fold over and take a set  
 -Snow-cupping outside paddle angles  
 -Free-wheeling track from single-ply technology requires much less horsepower



**ICE CLAW™**  
 -Smoothly enhances traction with a 1-in. profile height

**ICE TECH SERIES**  
 -Phenomenal traction from Camoplast's Ice Control Enhancement Technology  
 -Lightweight and pre-studded  
 -Excellent value



**ICE RIPPER™**  
 -Ultimate crossover performance from factory pre-studded RipSaw trail track



PART #	DIMENSIONS	WT (LBS.)	CLIPS	PRICE
<b>PERFORMANCE (2.52 P)</b>				
*1602-976	15 in. x 121 in. x 1.00 in. - HackSaw - 80/70 Duro	33	Every 3rd	\$599.95
*2602-268	15 in. x 121 in. x 1.352 in. - Cobra (Single-Ply) - 80 Duro	32	Every Other	\$649.95
*2602-002	15 in. x 121 in. x 1.25 in. - RipSaw - 80/70 Duro	36	Every 3rd	\$639.95
*2602-047	14 in. x 128 in. x 1.00 in. - HackSaw - 80/70 Duro	34	Every 3rd	\$629.95
*2602-019	15 in. x 128 in. x 1.00 in. - HackSaw - 80/70 Duro	36	Every 3rd	\$629.95
*2602-162	15 in. x 128 in. x 1.352 in. - Cobra - 80 Duro	37	Every Other	\$679.95
*2602-255	15 in. x 128 in. x 1.352 in. - Cobra (Single-Ply) - 80 Duro	34	Every 3rd	\$679.95
*2602-046	15 in. x 128 in. x 1.25 in. - RipSaw - 80/70 Duro	41	Every 3rd	\$679.95
*2602-835	15 in. x 128 in. x 1.50 in. - RipSaw - 80/70 Duro	42	Every 3rd	\$719.95
*1602-997	15 in. x 136 in. x 1.25 in. - RipSaw - 80/70 Duro	42	Every 3rd	\$699.95
*2602-005	15 in. x 136 in. x 1.50 in. - RipSaw - 80/70 Duro	42	Every 3rd	\$759.95
<b>TOURING (2.52 P)</b>				
*2602-003	15 in. x 136 in. x 1.00 in. - HackSaw - 80/70 Duro	37	Every 3rd	\$659.95
*2602-101	15 in. x 144 in. x 1.00 in. - HackSaw - 80/70 Duro	40	Every 3rd	\$689.95
*2602-163	15 in. x 144 in. x 1.352 in. - Cobra - 80 Duro	41	Every Other	\$749.95
*2602-350	15 in. x 144 in. x 1.50 in. - Crossover (Single-Ply) - 80 Duro	47	Every 3rd	\$779.95
<b>MOUNTAIN TRACKS (3.0 P)</b>				
2602-169	15 in. x 141 in. x 1.352 in. - Cobra (Single-Ply) - 80 Duro	38	Every Other	\$749.95
2602-170	15 in. x 141 in. x 1.60 in. - Cobra (Single-Ply) - 80 Duro	40	Every Other	\$779.95
2602-166	15 in. x 141 in. x 2.25 in. - Power Claw (Single-Ply) - 80 Duro	44	Every Other	\$919.95
2602-167	15 in. x 153 in. x 2.25 in. - Power Claw (Single-Ply) - 80 Duro	48	Every Other	\$949.95
2602-399	15 in. x 153 in. x 2.25 in. - Power Claw HC (Single-Ply) - 85 Duro	48	Every Other	\$949.95
2602-168	15 in. x 162 in. x 2.25 in. - Power Claw (Single-Ply) - 80 Duro	50	Every Other	\$979.95
2602-367	15 in. x 162 in. x 2.25 in. - Power Claw, Notched (Single-Ply) - 80 Duro	48	Every Other	\$999.95
2602-438	15 in. x 162 in. x 2.25 in. - Power Claw HC (Single-Ply) - 85 Duro	50	Every Other	\$959.95
<b>UTILITY (2.52 P)</b>				
2602-314	15 in. x 151 in. x 1.25 in. - RipSaw (Single-Ply) - 80 Duro	45	Every 3rd	\$859.95
0602-962	20 in. x 156 in. x 1.00 in. - 60 Duro	63	Fully Clipped	\$859.95
1602-869	20 in. x 156 in. x 1.25 in. - 80 Duro	67	Fully Clipped	\$909.95
<b>UTILITY (2.86 P)</b>				
2602-358	20 in. x 154 in. x 1.375 in. - (Single-Ply) - 80/70 Duro	58	Every 3rd	\$949.95
<b>ICE TECH SERIES (2.52 P)</b>				
<b>NOTE: STUD QUANTITY LISTED IN PARENTHESES</b>				
*2602-030	15 in. x 121 in. x 1.00 in. - ICE Claw - 70 Duro (240)	36	Every 3rd	\$719.95
*2602-032	15 in. x 121 in. x 1.25 in. - ICE Ripper - 70 Duro (258)	37	Every 3rd	\$799.95
2602-376	15 in. x 128 in. x 1.25 in. - ICE Ripper - 70 Duro (272)	39	Every 3rd	\$859.95

\*ACT Quiet Tracks are for use on '03 and newer models only.  
 Tracks listed are required for use on '07 and newer models with ACT drive and reverse. Will also fit older models.  
 All tracks listed feature an "All Open" window configuration with 2-ply construction (unless noted).



**Leave your own set of tracks.**



Assert your dominance over snow.

**STUD PLACEMENT**

- DO NOT use studs that are longer than recommended
- DO NOT place studs in line with the heat exchanger or tunnel protector strip, and factor in the amount of suspension travel to avoid tunnel damage
- Studs MUST NOT extend more than 3/8 in. beyond the rubber track lugs
- Verify adequate clearance between the track, tunnel and heat exchanger to avoid serious damage
- Confirm that your machine has adequate tunnel protection before installing studs
- Use only Arctic Cat-approved Stud Templates shown on page 129
- The length of carbide and number of studs must coordinate to result in balanced handling and proper control

**CAUTION**

- To protect the tunnel from possible damage from the studs, it is recommended that a Tunnel Protector Kit be installed on those models not so equipped
- A Short Snowflap is required when installing studs on '07-'09 F Series, Z1; '09-'11 Crossfire and CFR

SEE YOUR DEALER FOR ADDITIONAL INFORMATION

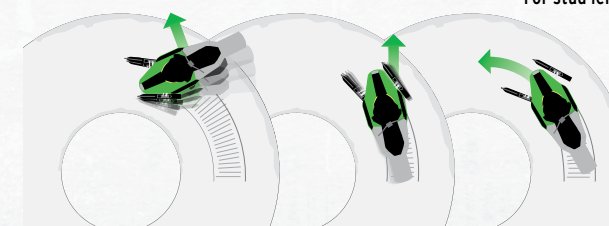
**MAXIMIZE HANDLING AND CONTROL**

**STEERING CONTROL**

The length of the turning carbide (carbide inserted directly under the steering spindle) is the determining factor on steering control. The longer the turning carbide, the more positive turning becomes. Too few studs with long turning carbides can result in the situation shown in Illustration 1 below.

**TRACTION CONTROL**

The quantity and types of studs inserted through the track can have several effects. If installed improperly, track and/or stud damage can result. If the pushing force from an excessive number of studs exceeds the ability of the steering to control the force, the effect could be like that in Illustration 2. In this case, the studs tend to "push" the skis in a straight line.



1. BACK END LOOSE. TOO MUCH CARBIDE, NOT ENOUGH STEERING CONTROL.

2. FRONT END PUSHES. WEAK STEERING FROM WORN WEARBARS, TURNING CARBIDES TOO SHORT OR OVERSTUDDING ON TRACK.

3. STEERING CONTROL AND STUD QUANTITY ARE IN BALANCE FOR PROPER SETUP.



**TUNE YOUR SLED'S HANDLING TO YOUR RIDING STYLE**

Determining the proper traction and control is simple. What's your riding style: are you a conservative trail rider or a performance trail rider? Look at the chart below. Find the line with the horsepower of your sled. Look under your riding category. Here you will discover the number of studs and the length of the carbide wearbar you should use. This is a baseline guide for stud and wearbar selection. See your dealer for specific model applications.

SLED	STUD QUANTITY/ INCHES OF TURNING CARBIDE		PERFORMANCE
	TRAIL	TRAIL	
50-75 HP	48/4 in.	48/6 in.	48/6 in.
75-125 HP	102/6 in.	102/6 in.	153/8 in.
125-150 HP	153/8 in.	153/8 in.	153/10 in.
150-170 HP	153/8 in.	153/8 in.	153/10 in.

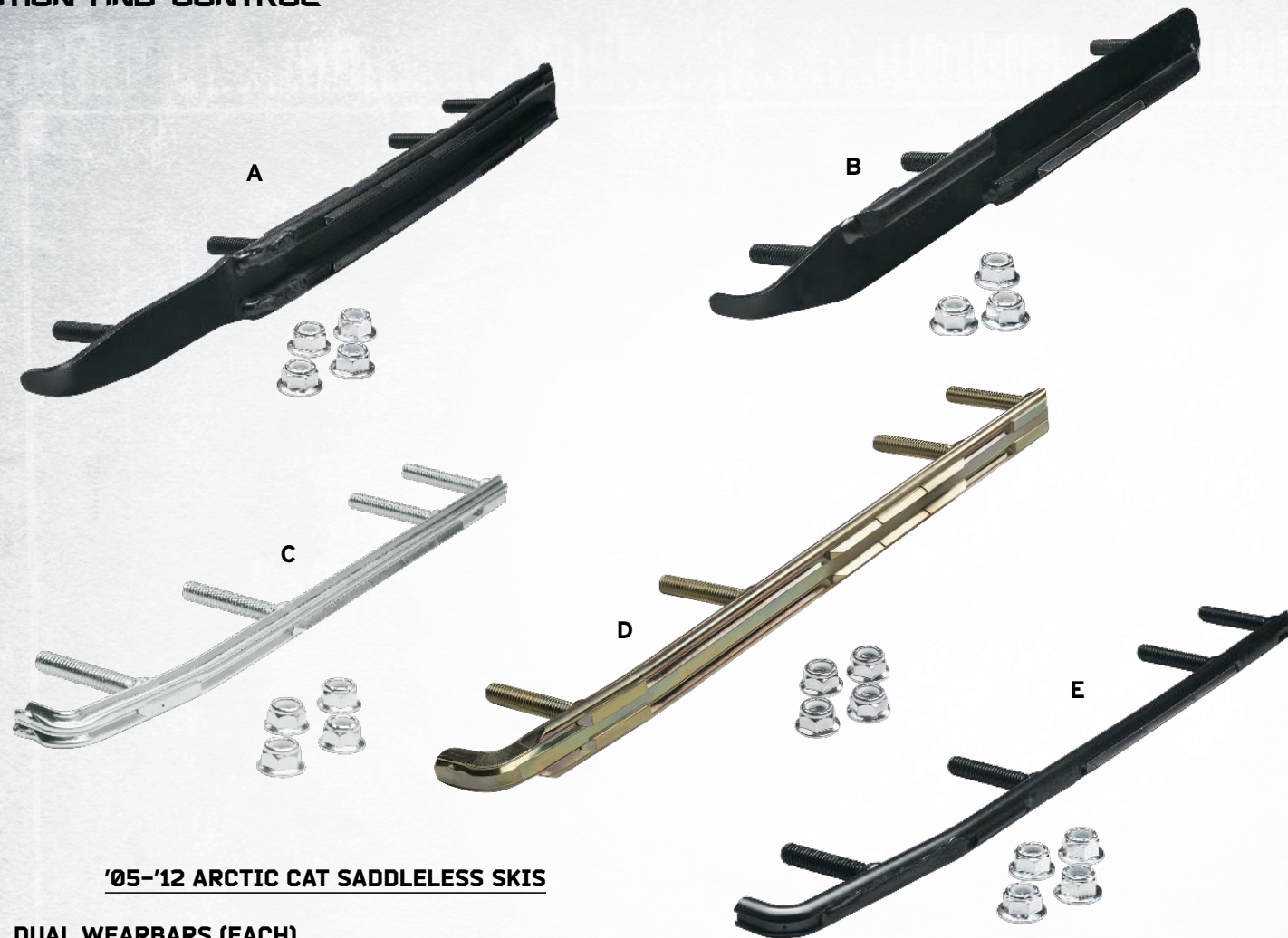
FOR STUD PLACEMENT, USE ONLY ARCTIC CAT-APPROVED STUD TEMPLATES SHOWN ON PAGE 129.

Arctic Cat traction products are available in package quantities of 102 and 153. These quantities will give you the best combinations for both 121-in. and 128-in. tracks.

TRACK LUG HEIGHT	Recommended Stud Length (in.)	
	WOODY'S STUD LENGTH	STUD BOY STUD LENGTH
1.000	1.075	1.080
1.250	1.325	1.375
1.352	1.325	1.375
1.375	1.450	1.500

For stud lengths 1.325 in. and longer, we recommend the use of a Big Nut (page 127) or Power Tower Support Nut (page 129).





'05-'12 ARCTIC CAT SADDLELESS SKIS

**DUAL WEARBARS (EACH)**

DOOLY TWIN CARBIDE WEARBARS	PART #	PRICE
HARDWELD WEARBAR	5639-879	\$29.95
4-IN. CARBIDE WITH HARDWELD	3639-343	\$51.95
6-IN. CARBIDE WITH HARDWELD	3639-344	\$62.95
8-IN. CARBIDE WITH HARDWELD	3639-345	\$84.95

**STAGGERED WEARBARS**

4-IN. CARBIDE (RH)	1703-478	\$45.95
4-IN. CARBIDE (LH)	1703-479	\$45.95

**DEUCE TWIN CARBIDE WEARBARS**

4.5-IN. CARBIDE WITH HARDWELD	5639-251	\$54.95
6-IN. CARBIDE WITH HARDWELD	5639-252	\$64.95
9-IN. CARBIDE WITH HARDWELD	5639-253	\$86.95

**SHAPER WEARBARS (PAIR)**

4.5-IN. CARBIDE	4639-949	\$74.95
6-IN. CARBIDE	4639-950	\$84.95
9-IN. CARBIDE	4639-951	\$99.95

**STANDARD WEARBARS (PAIR)**

HARDWELD WEARBAR		
7/16-IN.-DIAMETER ROUND HOST BAR	3639-309	\$24.95
1/2-IN.-DIAMETER ROUND HOST BAR		
4-IN. CARBIDE WITH HARDWELD	3639-310	\$54.95
6-IN. CARBIDE WITH HARDWELD	3639-311	\$64.95
8-IN. CARBIDE WITH HARDWELD	3639-312	\$89.95

Note: The accessory wearbars listed above use a 4-bolt stud pattern. When using accessory wearbars on '05 and newer models with Saddleless Skis and a 3-bolt stud pattern, it will be necessary to drill another mounting hole in the ski.

**WEARBARS**

**A. DOOLY™**

- Great, all-trail performance
- Reduces darting
- Features two carbide runners
- Sold individually

**B. STAGGERED**

- Gives precise control in any condition
- Reduces darting and plugging
- Features a single carbide runner
- Sold individually

**C. SHAPER™**

- Offers more precise turning than conventional wearbars
- 20% lighter than round wearbars
- Sold in pairs

**D. DEUCE™**

- The best-performing dual runner available
- Reduces darting and eliminates dual-runner-type drag
- Durable one-piece design
- Features two carbide runners
- Sold individually

**E. STANDARD**

- Ideal on ice and hardpack, but works well anywhere
- May provide a noted speed increase compared to a dual or Shaper wearbar
- Sold in pairs

**2009-2012 MODELS**

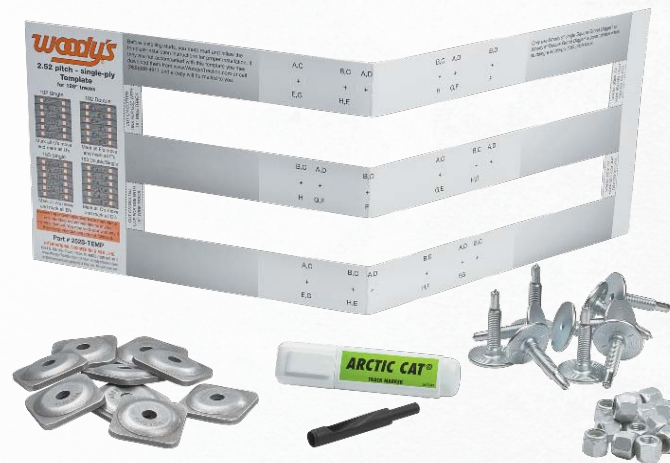
**SINGLE-PLY TRACKS**

- '12 XF 800, XF 1100 (INCL. TURBO)
- '10-'12 BC 570
- '11-'12 BC 570 XT, Z1 XT
- '09-'11 CF, CF SNO PRO
- '09 F SERIES SNO PRO
- '09 Z1 TURBO LXR, SNO PRO
- '10 SNO PRO 500

**2-PLY TRACKS**

- '12 F 800, F 1100 (INCL. TURBO)
- '09-'10 BC 570 XT, BC Z1 XT
- '09-'11 CFR
- '09-'11 F SERIES (STD), LXR
- '10-'11 F SERIES SNO PRO
- '09-'12 T570, TZ1 TOURING (INCL. TURBO)
- '09-'11 Z1 (STD), LXR
- '10-'11 Z1 TURBO LXR, SNO PRO, EXT
- '11-'12 SNO PRO 500

**ARCTIC CAT TRACTION BY WOODY'S®**



**A. GRAND MASTER™ (SINGLE-PLY) TRACTION KITS**

- Studs feature a larger head design required for use on models with a single-ply track
- Includes Studs, Support Plates, Big Nuts, Template, Drill and Track Marker
- 60° Carbide, 5/16-in. Thread, 1.20-in. Head, 1.50-in. Support Plates

'09 F SERIES SNO PRO, Z1 TURBO LXR, SNO PRO; '10 SNO PRO 500

128-IN. X 1.25-IN. (1.325-IN. STUDS)  
5639-230: 102/PK \$344.95  
5639-231: 153/PK \$499.95

'11-'12 BC XT  
154-IN. X 1.375-IN. (1.450-IN. STUDS)  
5639-626: 108/PK \$389.95

'12 XF 800 LXR, XF 1100 LXR (INC TURBO); '09-'11 CF  
141-IN. X 1.352-IN. (1.325-IN. STUDS)  
5639-144: 94/PK \$319.95

**SIGNATURE SERIES™ (2-PLY) TRACTION KITS**

- Includes Studs, Support Plates, Standard or Big Nuts, Template, Stud Drill and Track Marker

'12 F 800 SNO PRO, F 1100 SNO PRO, F 1100 TURBO LXR, SNO PRO; '10-'11 F SERIES SNO PRO, Z1 TURBO LXR, SNO PRO  
128-IN. X 1.25-IN. (1.325-IN. STUDS)  
5639-781: 102/PK \$234.95  
5639-782: 153/PK \$329.95

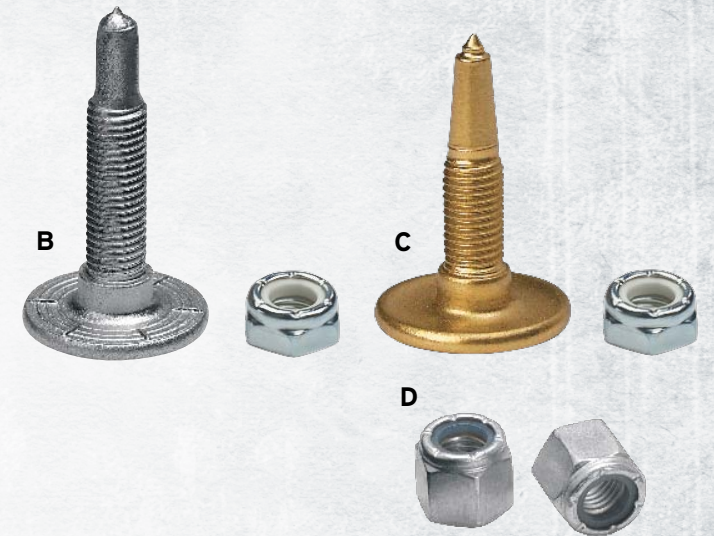
'12 F 800 LXR, F 1100 LXR; '07-'11 F SERIES; '09-'11 CFR, Z1, Z1 TURBO; '11-'12 SNO PRO 500  
128-IN. X 1.00-IN. (1.075-IN. STUDS)  
4639-550: 102/PK \$209.95  
4639-551: 153/PK \$279.95

**B. SIGNATURE SERIES STAINLESS STEEL (2-PLY) 60° CARBIDE, 5/16-IN. THREAD, 15/16-IN. HEAD**

- Woody's proven push-through stainless steel stud at a competitive price
- Support Plates sold separately

**SINGLE-PLY TRACK APPLICATION WARNING**

When installing studs on a single-ply track, it is important to use Arctic Cat-approved studs and backer plates with the proper diameter. If approved studs and backer plates are not used, studs could tear free of the track, causing possible injury or even death.



**C. GOLD DIGGER® TRACTION MASTER® (2-PLY) 60° CARBIDE, 5/16-IN. THREAD, 1-IN. HEAD**

- The industry-leader and best-selling trail stud
- Outstanding penetration and durability on ice and hardpack from a 60° carbide tip
- Support Plates sold separately

**D. BIG NUT**

- Heavy-duty, lightweight aluminum
- Stronger and more supportive than standard lock nuts
- Recommended when using studs 1.325 in. and longer

SEE YOUR DEALER FOR SPECIFIC PART NUMBERS AND APPLICATIONS

**WOODY'S® LIMITED WARRANTY**

International Engineering & Manufacturing, Inc. warrants each product manufactured by it to be free from defects in material and workmanship under use for the purpose for which it is intended. The Company shall not be liable for damage or delays caused by defective materials or workmanship; is limited to the repair or replacement at its factory of defective article or part thereof, which may be returned to the factory, transportation charges, prepaid within one (1) year after delivery to the original purchaser. Proof of purchase is also required. The Company shall be the sole judge of the existence of any defect in the article so returned. No claims for charges incurred in the removal, disassembly or reinstallation of such article shall be allowed. Product manufactured for consumer use on snowmobiles is designed for snow or ice only; use on any other surface voids warranty.

This Warranty shall not cover any article which has been misused or neglected or damaged by accident or any article which has been altered outside the Company's factory. The Warranty for studs is void unless the studs are installed with Woody's installation tools, support plates and lock nuts; according to the recommendations set forth in Woody's Instructions and Template Patterns. This Warranty does not cover bending, chipping, flaking or carbide pin breakage or pin loss from stud wear, stud replacement labor or shipping.

The Company shall, in no event, be liable for consequential damage or contingent liability arising out of any total or partial failure to function of any article manufactured by it or of any equipment on or in which it is used. Failure of a user to give notice to claim as to defect claimed under the provisions of the Warranty within one (1) year after delivery to original use, such claim shall constitute a waiver by consumer of all claims with respect to goods and equipment.

No express, implied, or statutory warranty other than that herein set forth is made or authorized to be made by the Company. All returned warranties will not be accepted without a return authorization number.

**WOODY'S MANUFACTURER WARRANTY RETURNS**

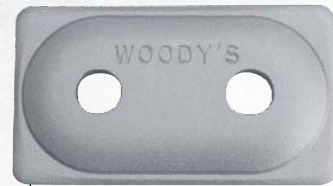
Call our customer service department for a Return Authorization Number. This number must be visible on the outside of the box. The product must be inspected by a Woody's technician to determine if the product is defective due to material, quality or workmanship before a final warranty determination is made. Proof of purchase is required. All returns to the manufacturer are for exchange only.



**TRACTION AND CONTROL**



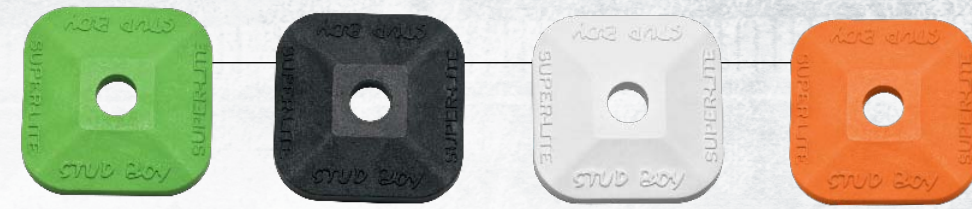
**DIGGER (2-PLY) SUPPORT PLATES**  
 -Lightweight aluminum offers serious support  
 -Added strength from crowned profile  
 -1.250-in. square, 1.375-in. round



**DOUBLE DIGGER™ (2-PLY) SUPPORT PLATES**  
 -Unmatched support from durable aluminum

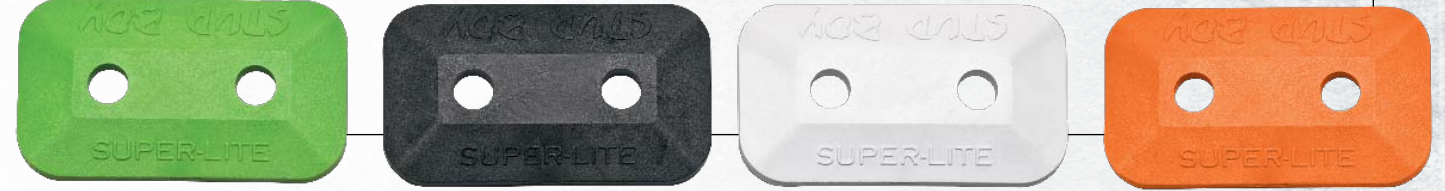


**DIGGER (2-PLY) COLORED SUPPORT PLATES**  
 -Rugged, powder-coated aluminum  
 -1.250-in.

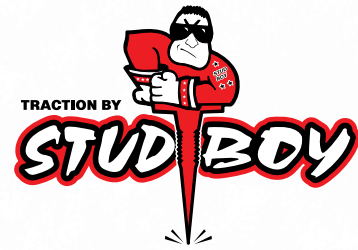


**SUPER-LITE PLUS™ (SINGLE-PLY & 2-PLY) BACKERS**  
 -New, lighter-than-aluminum polymer construction  
 -Works with both Single-Ply and 2-Ply tracks  
 -1.450-in.

**SUPER-LITE PLUS (SINGLE-PLY) DOUBLE BACKERS**  
 -For Single-Ply tracks using studs with large heads like our "Power Point Plus" stud



**ARCTIC CAT TRACTION BY STUD BOY®**



**POWER POINT PLUS™ (SINGLE-PLY) 60° CARBIDE, 5/16-IN. THREAD, 1.16-IN. HEAD**  
 -Studs feature a larger head design required for use on models with a single-ply track  
 -The track-trapping design and chamfered head reduces vibration and idler wheel wear  
 -Backers sold separately



**POWER TOWER SUPPORT NUTS**  
 -Lightweight, durable stud support  
 -Recommended when using studs 1.375 in. and longer

**STUD DRILL**  
 -Cuts clean for efficient, perfect cutting  
 1639-629: \$10.95



**TRACK MARKER**  
 -Ensures track pattern aligns perfectly with stud template  
 1639-520: \$7.95



**TUNNEL PROTECTOR KIT**  
 -Required when installing studs on models listed below  
 5639-668: '12 F 800, F 1100, F 1100 TURBO \$59.95  
 5639-752: '12 XF 800, XF 1100, XF 1100 TURBO \$59.95  
 4639-968: '09-'11 CF, CFR \$62.95  
 4639-771: '08-'12 F570, T570; '09-'12 BC 570 \$29.95  
 5639-143: '09-'12 BC Z1 XT \$18.95

**POWER POINT (2-PLY) TRACTION KITS**

-Includes Studs, Support Plates, Standard or Tall Nuts, Template, Drill and Track Marker

'12 F 800 SNO PRO, F 1100 SNO PRO, F 1100 TURBO LXR, SNO PRO;  
 '10-'11 F SERIES SNO PRO, Z1 TURBO LXR, SNO PRO  
 128-IN. X 1.25-IN. (1.375-IN. STUDS)  
 5639-783: 102/PK \$299.95  
 5639-784: 153/PK \$424.95

'12 F 800 LXR, F 1100 LXR; '07-'11 F SERIES; '09-'11 CFR, Z1, Z1 TURBO;  
 '11-'12 SNO PRO 500  
 128-IN. X 1.00-IN. (1.080-IN. STUDS)  
 5639-099: 102/PK \$269.95  
 5639-100: 153/PK \$389.95

'09 BC 570; '08-'12 T570, TZ1 TOURING  
 144-IN. X 1.00-IN. (1.080-IN. STUDS)  
 5639-146: 114/PK \$299.95

Model	AC	BC	AD	BD	ED
'12 F 800 SNO PRO, F 1100 SNO PRO, F 1100 TURBO LXR, SNO PRO; '10-'11 F SERIES SNO PRO, Z1 TURBO LXR, SNO PRO	+	+	+	+	+
'12 F 800 LXR, F 1100 LXR; '07-'11 F SERIES; '09-'11 CFR, Z1, Z1 TURBO; '11-'12 SNO PRO 500	+	+	+	+	+
'09 BC 570; '08-'12 T570, TZ1 TOURING	+	+	+	+	+

**STUD TEMPLATES**

-Available in patterns perfectly matched to your riding style

4639-443: '12 F5, F570, F 800, F 1100, F 1100 TURBO; '11-'12 SNO PRO 500; '07-'11 F SERIES; '09-'11 CFR, Z1 128-IN. (2-PLY)

4639-991: '12 XF 800 LXR, XF 1100 LXR (INCL. TURBO); '09-'11 CF 141-IN. (SINGLE-PLY)

5639-160: '08-'12 T570, TZ1, TZ1 LXR; '10-'11 Z1 TURBO EXT; '11 F8 EXT 144-IN. (2-PLY)

5639-609: '11-'12 BC XT 154-IN. (SINGLE-PLY)

5639-461: '09-'10 BC XT 156-IN. (2-PLY); '10-'12 BC 570 151-IN. (SINGLE-PLY)

5639-428: '09 F SERIES SNO PRO, Z1 TURBO LXR, SNO PRO; '10 SNO PRO 500 128-IN. (SINGLE-PLY)

\$24.95

**POWER PLATE PLUS™ (SINGLE-PLY) BACKERS**

-The lightweight and durable shape features an innovative design for stud support  
 -Reduces wear and tear on tracks, and receives the best benefits of both square and round backers  
 -Required for use with Power Point Plus Studs  
 -1.375-in.



**POWER POINT™ (2-PLY) 60° CARBIDE, 5/16-IN. THREAD, 1-IN. HEAD**  
 -Offers lightweight performance  
 -Excellent durability  
 -Track-trapping head design  
 -Backers sold separately



**POWER PLATE™ (2-PLY) BACKERS**  
 -Innovative, nearly unbendable design  
 -Excellent stud support  
 -1.270-in.



**SHORT SNOWFLAP**

-Required when installing studs on models listed below

5639-232: '09-'11 CF \$52.95  
 4706-462: '07-'09 F SERIES; '09 Z1, Z1 TURBO \$42.95



SEE DEALER FOR SPECIFIC PART NUMBERS AND APPLICATIONS

**STUD BOY® LIMITED WARRANTY**

Liberty Products, Inc. warrants each product manufactured by it to be free of defects in workmanship and material while used for the purpose for which it is designed. Liberty Products, Inc. shall not be liable for damages or delays as a result of defects caused by defective workmanship or materials. Warranty is limited to the repair or replacement at Liberty Products, Inc. of any defective part or product, within one (1) year of the delivery to the original purchaser; proof of purchase must accompany the product returned (freight prepaid). Liberty Products, Inc. shall be the sole judge of any defect, which might be claimed on the returned product. No other charges may be claimed in conjunction with the removal, reinstallation of such product. These products are designed and manufactured for use on snowmobiles on snow and ice only, use on other surfaces voids warranty. Warranty will be void if product has been misused, neglected, damaged or modified outside of Liberty Products, Inc. Does not cover bending, chipping, flaking or carbide breakage or loss from wear. Liberty Products, Inc. will not be liable for consequential damage or contingent liability arising from any total or partial failure to function of any product manufactured by it or any equipment on or in which it is used. No further warranty of any type is intended or implied or will be authorized to be made by Liberty Products, Inc.

— OUR MANUFACTURER'S SUGGESTED RETAIL PRICES EXCLUDE FREIGHT, HANDLING AND INSTALLATION. PRICES, PACKAGE QUANTITIES, SPECIFICATIONS AND MATERIALS MAY CHANGE WITHOUT NOTICE. —



## 2-Cycle Oils

**APV Synthetic is the best 2-cycle oil you can get for your Arctic Cat!**

We spend thousands of hours testing 2-cycle oils only in Arctic Cat engines. We dyno test many formulations, and eventually we narrow the best-performing candidates down and expose them to the final test – our field test drivers. Ultimately, one unique formulation emerges. This is proven to be the best oil for all your Arctic Cat snowmobiles.



### ARCTIC CAT APV SYNTHETIC OIL

Our APV™ Synthetic Oil stands alone as the best, most performance-oriented lubrication you could possibly put through your sled. Given your commitment to the highest level of riding possible, the best oil for the dollar guarantees flawless engine operation.

- The ultimate in performance oil for Arctic Power Valve™ engines and all Arctic Cat 2-cycle engines
- Protects against engine wear with excellent lubricity
- Increases efficiency and maintains Arctic Power Valve cleanliness
- Smokeless formulation burns extremely clean with a fresher scent
- Prevents piston scuffing, varnish formation and deposit buildup
- Improved cold-weather startup with prime lubrication

4639-349: QUART 5639-469: GALLON 4639-347: 2.5 GALLONS



### ARCTIC CAT FORMULA SS SEMI-SYNTHETIC OIL

Our Formula SS Semi-Synthetic oil offers you the benefits of a semi-synthetic formulation at a phenomenal value.

- Use in ALL Arctic Cat 2-cycle engines, including Arctic Power Valve engines
- Smokeless formulation burns clean
- Provides power valve cleanliness
- Protects your engine against wear, scuffing and varnish formation

5639-470: QUART 5639-471: GALLON 5639-472: 2.5 GALLONS

### FORMULA 50 OIL

- Recommended for non-Arctic Power Valve 2-cycle engines
- Performs well over a wide range of operating conditions
- Minimizes engine wear
- Prevents rust/deposit formation

5639-475: QUART 5639-476: GALLON 5639-477: 2.5 GALLONS



## 4-Cycle Oils

Arctic Cat Synthetic 0W-40 engine oil is the ONLY oil that's been designed specifically for Arctic Cat 4-cycle snowmobiles. It is the ONLY oil that has been exhaustively field-tested in ALL Arctic Cat 4-cycle snowmobiles and ultimately secured engineering approval. This custom synthetic formulation allows your engine to deliver optimum performance and protects it in all operating conditions, including turbocharged models with extreme horsepower output.



### SYNTHETIC 0W-40 OIL

- Provides superior performance in ALL operating conditions
- Synthetic base stocks offer high lubricity that protects engine from wear and scuffing
- Premium additive package helps prevent deposit formations, ring sticking and plug fouling while providing oxidation stability
- For use in ALL Arctic Cat 4-cycle snowmobiles

5639-172: QUART 5639-173: GALLON

### SYNTHETIC OIL CHANGE KIT

-Includes gallon of Synthetic 0W-40 oil, filter, belly pan plugs, washer and disposable funnel

5639-174: '07-'11 1100 Z1 (INCLUDING TURBO)



VISIT ARCTICCATLUBRICANTS.COM FOR MORE INFORMATION

VISIT ARCTICCATLUBRICANTS.COM FOR MORE INFORMATION

**SYNTHETIC TRANSMISSION LUBE**

- Designed for Arctic Cat chain-driven snowmobiles with reverse
- Synthetic formulation helps protect against wear at extreme temperatures
- Inhibits rust and corrosion during periods of non-use or extended storage

5639-039: 12 OZ.



**SYNTHETIC CHAIN LUBE**

- Extends machine life by minimizing chain stretch, sprocket and gear wear

5639-038: 8 OZ.



**ARCTIC CAT ANTIFREEZE**

- Protects against freezing to -34°F
- Provides maximum cooling by raising boiling point to 265°F
- Premixed and ready to pour
- Added bittering agent keeps pets safe

0436-909: GALLON



**FUEL DE-ICER**

- Prevents system failure at the coldest of temps
- Safe on internal parts
- Water-absorbing isopropyl blend

0436-906: 12 OZ.



**FUEL STABILIZER**

- Prevents fuel breakdown, jet clogging and corrosion
- Suggested for use in stored sleds

0436-907: 8 OZ.



**ARCTIC CAT TRANSMISSION LUBE**

- Maximizes performance and reduces friction
- Coats sprockets and chain rollers
- Prevents rust, wear and corrosion
- Extends chaincase component life
- Protects during periods of non-use

4639-364: 12 OZ.  
1639-247: 2.5 GALLONS



**CHAIN LUBE**

- Perfectly lubricates chain and sprockets
- Prevents corrosion
- Easy-pour bottle

4639-363: 8 OZ.



**FUEL-INJECTOR & CARBURETOR CLEANER**

- Provides peak performance
- Cleans debris from vital fuel system/injectors
- Greatly helps avoid repairs

0436-904: 12 OZ.



**ENGINE PRESERVER**

- Protects internal engine parts during storage
- Aids in corrosion prevention

0436-888: 12 OZ.



**DOT 4 BRAKE FLUID**

- Premium fluid designed with corrosion and oxidation inhibitors
- Optimizes brake performance if moisture is introduced into the brake system

5639-848: 12 OZ.



**SYNTHETIC ACT GEARCASE FLUID**

- Specially formulated for the ACT™ drive system
- Low shear formulation offers exceptional lubrication at low temps
- Protects against wear and corrosion in ACT drive systems with reverse

4639-361: 3 OZ. (NON-REVERSE)  
4639-628: 12 OZ. (REVERSE)  
5639-219: 15 OZ. (ACT ACER REVERSE)

**ACT FLUSH FLUID**

- Always use while flushing ACT Gearcase Fluid

4639-333: 6 OZ.



**SYNTHETIC SHOCK OILS**

- Superior performance under extreme racing conditions
- Inhibits fading, reduces wear and protects against corrosion

4639-367: LIGHTWEIGHT - QUART  
4639-369: MEDIUM/LIGHTWEIGHT - QUART  
4639-368: MEDIUM WEIGHT - QUART



**SEMI-SYNTHETIC SHOCK OIL**

- Engineered with a high viscosity index (VI) formulation
- Provides superior, consistent performance in severe operating and racing conditions
- Protects against wear, foaming, oxidation and corrosion

5639-530: QUART

**ARCTIC CAT SHOCK OIL**

- Lends consistent performance to floating piston gas shocks
- Improves ride quality under demanding conditions

4639-366: QUART



**CAT CLEANER**

- Removes oil, grease and grime from vinyl, metal and paint
- Sprays on and wipes off quickly
- Won't alter finishes

4639-371: 22 OZ.



**SPRAY AND RINSE CLEANER**

- Scrub-free cleanser eliminates grease, dirt and bugs

5639-872: 24 OZ.  
5639-789: GALLON



**INSTANT DETAILER**

- Polishes and protects
- Showroom-quality shine
- Resists finger markings
- Greaseless finish

5639-849: 16 OZ.



**HOOD AND WINDSHIELD CLEANER/POLISH**

- Removes fine scratches
- Easy application

4639-559: 8 OZ.



**ARCTIC CAT ALL-TEMP GREASE**

- Increases cold-temp bearing, gear and pivot point performance
- Quality Lithium 12-Hydroxy Stearate formula

4639-365: 14.5-OZ. TUBE

VISIT ARCTICCATLUBRICANTS.COM FOR MORE INFORMATION

VISIT ARCTICCATLUBRICANTS.COM FOR MORE INFORMATION

# Everything you need to keep on dominating.



**SLED LIFT**  
 -Safely raises up to 625 lbs.  
 -24-in. clearance for less-fatiguing service work  
 -Conveniently slips under sled  
 -Shown with optional wheel kit  
 4639-992: \$379.95



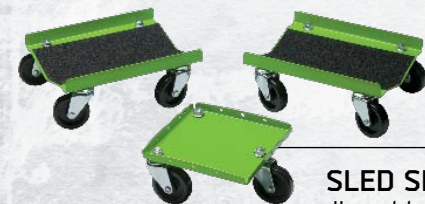
**FRONT END LIFT**  
 -Lifts front end of sled off the ground  
 -Allows easy servicing of skis and front suspension  
 5639-151: \$99.95



**CAT CADDY**  
 -Superior mobility from 2 1/2-in. swivel casters  
 -Powder-coat finish with laser-cut Cat logos  
 -Includes two ski dollies and a track dolly  
 5639-873: PLASTIC - BLACK \$49.95  
 5639-874: PLASTIC - GREEN \$49.95  
 4639-766: ALUMINUM - BLACK \$89.95



**SLED LIFT WHEEL KIT**  
 -Lockable wheels for safe, easy movement  
 4639-993: \$119.95



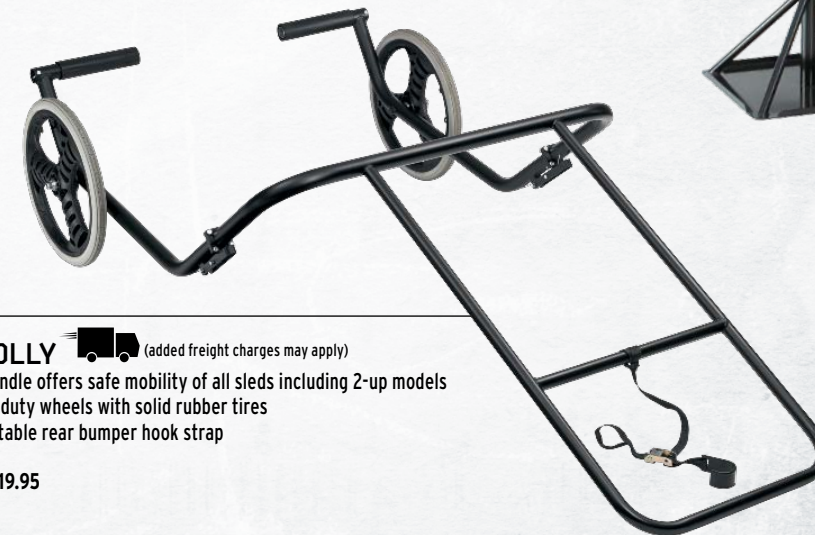
**SLED SLIDES**  
 -Heavy-duty, powder-coated steel  
 -Includes two ski slides and one track slide  
 5639-579: STEEL - GREEN \$69.95




**JACK STAND**  
 -Ideal for service work or warming up engines  
 -33 in. high  
 4639-768: \$79.95



**HANDLEBAR STAND**  
 -Supports machine on its side for easy maintenance  
 -Prevents machine damage  
 -Adjustable height  
 5639-152: \$79.95



**SHOP DOLLY**  (added freight charges may apply)  
 -Extra-long handle offers safe mobility of all sleds including 2-up models  
 -Large, heavy-duty wheels with solid rubber tires  
 -Secure, adjustable rear bumper hook strap  
 5639-373: \$419.95



## GENERAL MAINTENANCE



### STANDARD TIE-DOWNS

- Secures sled to trailer with heavyweight nylon straps
- 1 in. x 69 in., 1,000-lb. rating; sold in pairs

5639-411: BLACK  
5639-415: GREEN

\$19.95



### DELUXE TIE-DOWNS

- Protects against scratching with integrated soft end loop
- Heavy-duty nylon straps with dual S-hook retainer clips
- 1.125 in. x 78 in., 1,200-lb. rating; sold in pairs

5639-423: \$36.95



### DELUXE RATCHET-STYLE TIE-DOWNS

- Spring-loaded retainer clips prevent S-hooks from falling off
- Comfortable ratchet-handle grip
- Large grab handle for easy length adjustment
- 1.125 in. x 102 in., 1,200-lb. rating; sold in pairs

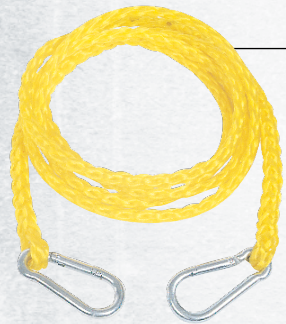
5639-424: \$46.95



### TOW STRAP

- Safe, easy towing with even weight distribution
- Durable nylon strap
- Handy storage pouch included

4639-247: \$29.95



### TOW ROPE

- Easy-attach spring-clip buckles
- Heavy-duty nylon rope

0636-577: \$14.95



### TOOL ROLL

- Space-saving tool organizer
- Zippered storage pouch
- Tools not included

5639-047: \$19.95



**NEW**

### TOOL BAG

- Water-resistant design with removable liner

5639-834: \$9.95

### HEATED SHIELD ADAPTER

- Quickly adapts a heated shield cord to the sled's accessory outlet

5639-645: \$17.95



### RACING TAPE

- Extra strong for any application
- 2-in. x 60-yd. roll

4639-579: BLACK  
4639-580: GREEN  
5639-103: ORANGE

\$17.95



### TOUCH-UP PAINT

- Retain a showroom finish while filling in scratches and chips
- Available in colors to match most '05-'12 models

1/2 OZ.  
12 OZ. AEROSOL

SEE YOUR DEALER FOR SPECIFIC PART NUMBERS, APPLICATIONS AND PRICING

## BATTERY MAINTENANCE



# Keep your battery as charged as you are.



### CTEK® BATTERY MAINTAINER

- The ideal maintenance charger for 12-volt batteries
- Fully automatic for charging and maintenance
- Takes its own readings and begins to charge
- Once finished charging, it will switch to a maintenance phase
- Features a patented method for reconditioning sulfated batteries
- Spark free, making connection safer and easier
- 12V, 800mA

5639-418: \$49.95

### ADDITIONAL BATTERY LEADS

- Comfort indicator features a three-LED battery condition indicator

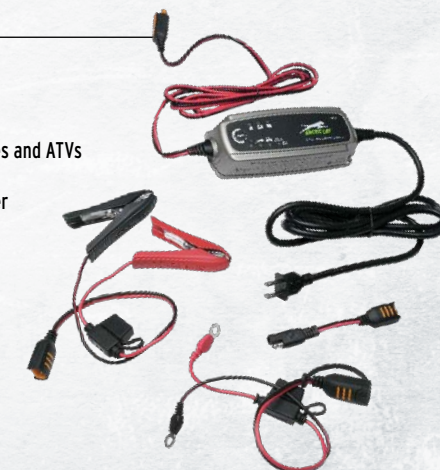
5639-421: ALLIGATOR CLIPS \$9.95  
5639-484: STYLE 21 ADAPTER \$5.95  
5639-397: COMFORT INDICATOR - STYLE 21 \$9.95  
5639-420: RING TERMINALS \$5.95  
5639-422: OUTLET \$9.95  
5639-485: COMFORT INDICATOR - RING TERMINALS \$9.95



### CTEK BATTERY CHARGER

- A great all-round charger that every household should have
- Features three modes:
  - Low-current mode for smaller 12V batteries used in snowmobiles and ATVs
  - Higher-current mode for automotive or marine applications
  - Winter mode aimed at charging and maintenance in cold weather
- Fully automatic for charging and maintenance
- Takes its own readings and begins to charge
- Once finished charging, it will switch to a maintenance phase
- Features a patented method for reconditioning sulfated batteries
- Spark free, making connection safer and easier
- 12V, 3.3A

5639-419: \$69.95





# 50 YEARS NEVER LOOKED THIS GOOD.

50 years is a long time to be doin' anything. Especially makin' snowmobiles better than anyone else out there. And while we've been flyin' up and down the trails, ditches and mountainsides, we've worn Arcticwear.

To celebrate fifty years of kickin' butt and lookin' good, we'll be rollin' out several limited edition items for ya to show off. Here are some examples from the past Check in later this year to see what we've got.

Thanks for a great 50 years



# Take pride in your passion.

Obsessed with Arctic Cat? Feel like your friends just don't understand? You're in luck. Join the Cat's Pride Club™, where everyone is just as Cat-crazy as you are. So whaddya get for signing up? A Cat's Pride™ Kit – designed with you in mind.

Annual memberships are just \$42 (includes GST) or \$45 (includes HST) for a single, \$73.50 (includes GST) or \$79.10 (includes HST) for the entire family. For more details on the club that trumps all clubs or to order online, visit [catsprideclub.com](http://catsprideclub.com) or contact Kathy Johnson at [kjohnson@arcticcatinc.com](mailto:kjohnson@arcticcatinc.com).



\*Membership fees subject to change without notice

### MEN'S OUTERWEAR sizing chart

size	chest	waist	inseam
S	36" - 38"	28" - 30"	31"
M	40" - 42"	32" - 34"	31"
MT	40" - 42"	32" - 34"	34"
L	44" - 46"	36" - 40"	32"
LT	44" - 46"	36" - 40"	35"
XL	48" - 50"	42" - 44"	33"
XLT	48" - 50"	42" - 44"	36"
2XL	52" - 54"	46" - 48"	33"
2XLT	52" - 54"	46" - 48"	36"
3XL	56" - 58"	50" - 52"	33"
3XLT	56" - 58"	50" - 52"	33"
4XL	60" - 62"	54" - 56"	33"
5XL	64" - 66"	58" - 60"	33"

5' 11" and taller, use tall sizes  
Men's Short Bib has a 29" inseam

### YOUTH ONE-PIECE sizing chart

size	height	chest	waist	inseam
2	33" - 35"	21" - 22"	19" - 20"	16"
3	36" - 38"	22" - 23"	20" - 21"	17"
4	39" - 41"	23" - 24"	21"	18"
5	42" - 44"	24" - 25"	21" - 22"	19"
6	45" - 46"	25" - 26"	22"	20"
7	47" - 49"	26" - 27"	22" - 23"	21"

Sizing charts should be used as general guides for determining approximate size. Differences in individual body shape, as well as the type of cut and style of each garment, should be considered to ensure appropriate fit. Please visit your local Authorized Arcticwear Dealer to try on your selection.

### WOMEN'S OUTERWEAR sizing chart

size	chest	waist	hips	inseam
XS	26" - 30"	19" - 23"	30" - 34"	31"
S	30" - 34"	23" - 26"	34" - 37"	31"
M	34" - 37"	26" - 30"	37" - 40"	31"
MT	34" - 37"	26" - 30"	37" - 40"	33"
L	37" - 40"	30" - 34"	40" - 43"	31"
LT	37" - 40"	30" - 34"	40" - 43"	33"
XL	40" - 43"	34" - 38"	43" - 46"	31"
XLT	40" - 43"	34" - 38"	43" - 46"	33"
2XL	43" - 46"	38" - 41"	46" - 49"	31"
3XL	46" - 49"	41" - 45"	49" - 52"	31"
4XL	49" - 52"	45" - 49"	52" - 55"	31"

5' 8" and taller, use tall sizes  
Women's Short Bib has a 29" inseam

### YOUTH OUTERWEAR sizing chart

size	height	chest	waist	inseam
4	45" - 47"	23" - 25"	20" - 22"	17"
6	47" - 49"	25" - 26"	22" - 23"	19"
8	49" - 50"	26" - 27"	23" - 24"	21"
10	51" - 54"	27" - 28"	24" - 25"	23"
12	55" - 58"	29" - 30"	25" - 26"	25"
14	59" - 61"	30" - 32"	26" - 27"	26"
16	62" - 64"	32" - 33"	27" - 28"	27"

